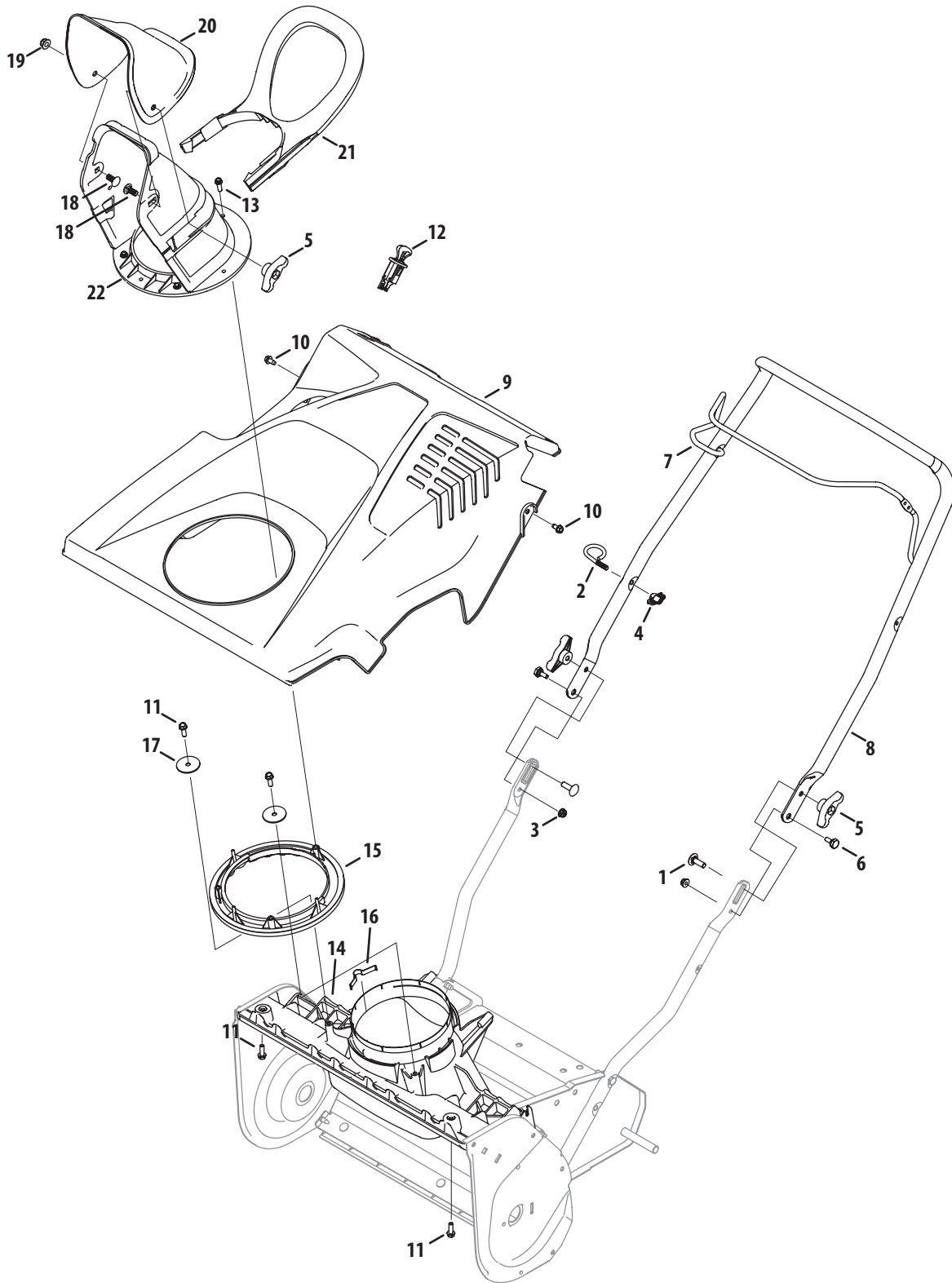


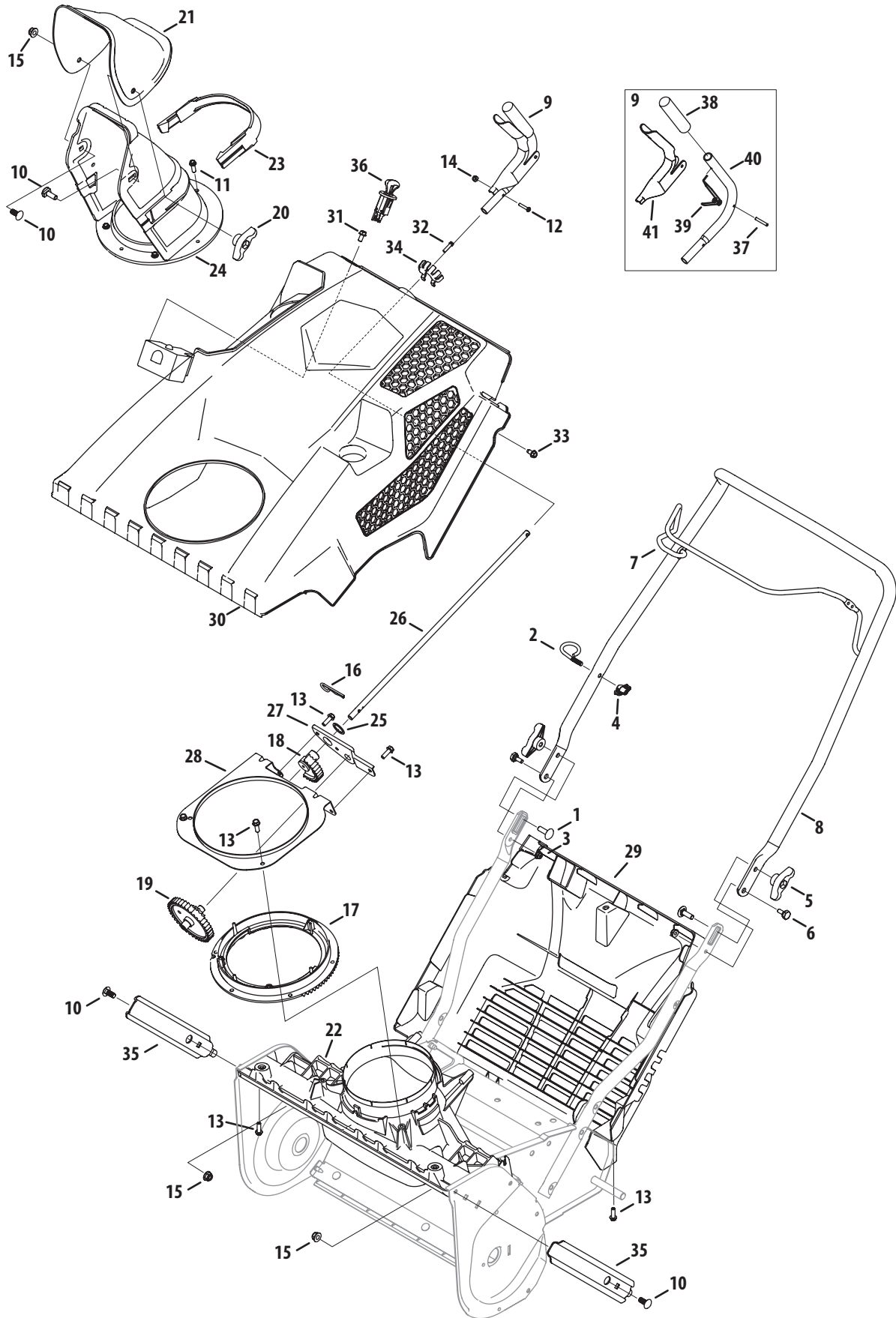
Shroud, Chute, & Handle (Model 2M5)



Shroud, Chute, & Handle (Model 2M5)

Ref.	Part Number	Description
1.	710-04998	Carriage Bolt, 5/16-18 x 1.00
2.	710-05348	Eye Bolt, 1/4-20
3.	712-04064	Flange Lock Nut, 1/4-20
4.	720-0279	Knob Handle
5.	720-04122	Wing Knob
6.	738-04419A	Shoulder Screw, .375 x .148 x 1/4-20
7.	747-05327B	Auger Bail
8.	749-04703B	Upper Handle
9.	731-08353	Top Cover
10.	710-0599	Hex Screw, 1/4-14 x .500
11.	710-0895	Screw, Hi-Lo:1/4-15, 0.75
12.	925-04031A	Ignition Switch Assembly
13.	710-05108	Hex Washer Screw, 1/4 x .750
14.	931-07626A	Chute Adapter
15.	731-08274	Chute Ring
16.	932-04111	Chute Adjustment Spring
17.	736-04576	Flat Washer, .28 x 1.5 x .066
18.	710-0451	Carriage Bolt, 5/16-18 x .750
19.	712-04063	Flange Lock Nut, 5/16-18
20.	731-04426A	Upper Chute
21.	731-07644	Chute Handle
22.	931-07753A	Lower Chute

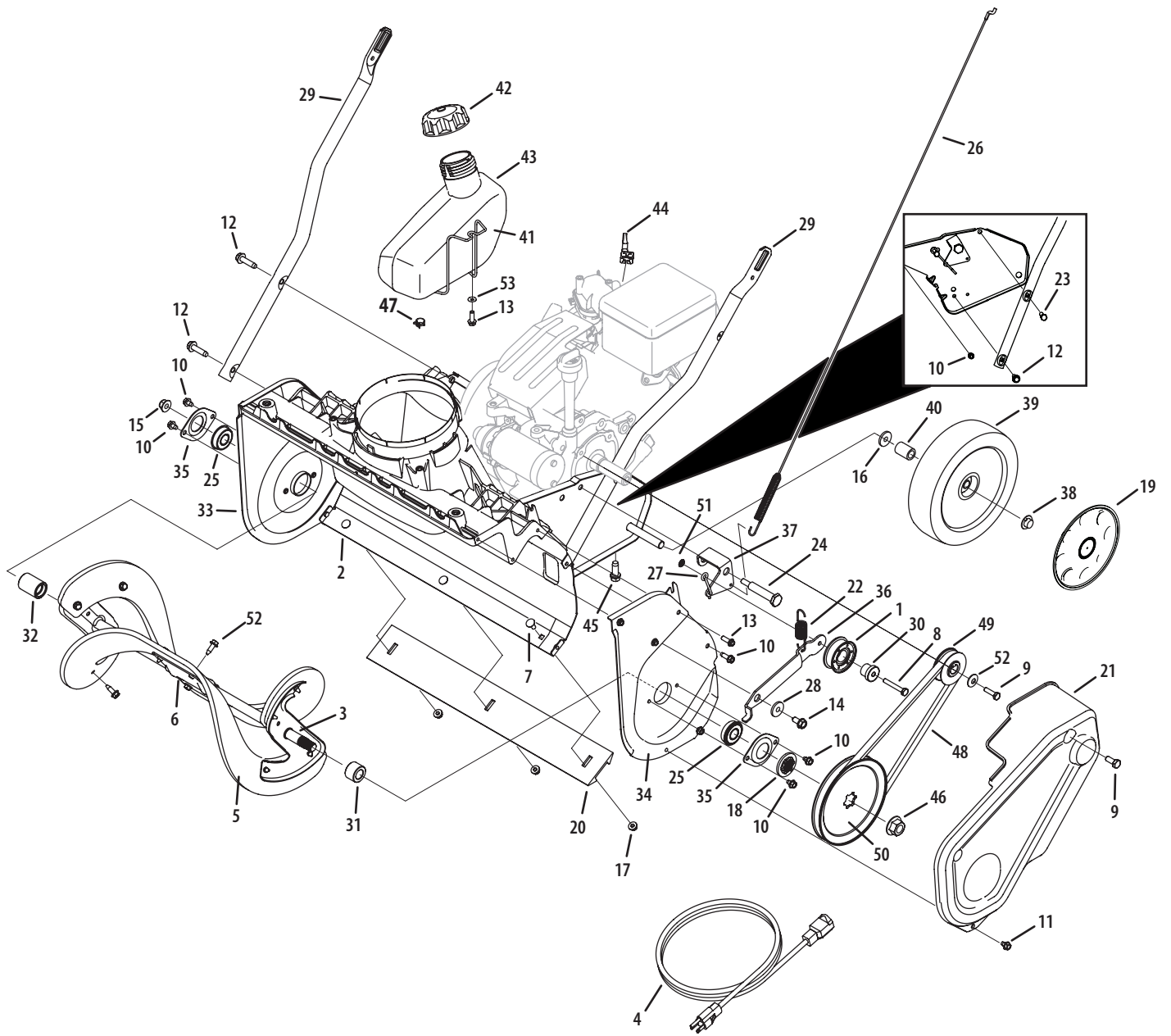
Shroud, Chute, & Handle (Model 2T5)



Shroud, Chute, & Handle (Model 2T5)

Ref.	Part Number	Description
1.	710-04998	Carriage Bolt, 5/16-18 x 1.00
2.	710-05348	Eye Bolt, 1/4-20
3.	712-04064	Flange Lock Nut, 1/4-20
4.	720-0279	Knob Handle
5.	720-04122	Wing Knob
6.	738-04419A	Shoulder Screw, .375 x .148 x 1/4-20
7.	747-05327B	Auger Bail
8.	749-04703B	Upper Handle
9.	684-04388	Chute Control Assembly
10.	710-0451	Carriage Bolt, 5/16-18 x .75
11.	710-05108	Hex Washer Screw, 1/4 x .750
12.	710-05179A	Screw, #8-32 x .875
13.	710-0895	Screw, Hi-Lo:1/4-15, 0.75
14.	712-04035	Hex Lock Nut, #8-32
15.	712-04063	Flange Lock Nut, 5/16-18
16.	714-04003	Cotter Pin
17.	917-04844B	Bevel Gear, 95T
18.	717-04940	Spur Gear, 35T
19.	717-04941	Bevel Gear, 40T/11T
20.	720-04122	Wing Knob, 5/16-18
21.	731-04426A	Upper Chute
22.	931-07626A	Chute Adapter
23.	731-07708	Chute Plug
24.	931-07753A	Lower Chute
25.	736-04161	Flat Washer, .75 x 1.00 x .06
26.	747-05299A	Chute Rod
27.	790-00416	Gear Mounting Plate
28.	790-00471	Gear Retainer Bracket
29.	731-07725A	Bottom Cover
30.	731-08338	Top Cover
31.	710-04187	Hex Washer Screw, 1/4-15 x .50
32.	710-04326	Hex Washer Screw, #8-16 x .50
33.	710-0599	Hex Screw, 1/4-14 x .500
34.	790-00459	Index Bracket
35.	790-00441	Drift Cutter
36.	925-04031A	Ignition Switch Assembly
37.	715-0249	Roll Pin
38.	720-04172	Grip
39.	732-04864A	Torsion Spring
40.	749-04827	Chute Rotation Tube
41.	790-00473	Chute Rotation Bracket

Drive System & Auger Assembly



Drive System & Auger Assembly

Ref.	Part Number	Description
1	684-04168	Idler Pulley Assembly
2	684-04398	Frame
3	984-04393	Auger Assembly Mount
4	929-0071A††	3-Prong Extension Cord
5	753-06469	Auger Replacement Kit (Inc. 2 Paddles and 12 Hex Washer Screws)
6	790-00427	Center Auger Bracket
7	710-0134	Carriage Screw, 1/4-20 x .62
8	710-0778	Hex Screw, 1/4-20 x 1.50
9	710-0627	Hex Lock Screw, 5/16-24 x .750
10	710-1652	Hex Washer Screw, 1/4-20 x .625
11	710-0599	Hex Washer Screw, 1/4-20 x .500
12	710-0817	Hex Washer Screw, 5/16-18 x 1.250
13	710-0895	Hex Washer Screw, 1/4-15 x .750
14	710-04484	Hex Washer Screw, 5/16-18 x .75
15	712-04065	Flange Lock Nut, 3/8-16
16	936-0192††	Flat Washer, .535 x .930 x .090
17	712-04064	Flange Lock Nut, 1/4-20
18	718-04836	Pulley Hub
19	731-07197†	Hubcap
20	731-08171	Shave Plate
21	731-07737A	Belt Cover
22	732-04748	Extension Spring, .70 x 3.035
23	710-05183	Hex Screw, 5/16-24 x 1.25
24	738-04456	Shoulder Bolt, 5/16-24 x .496 x 2.18
25	741-04517	Ball Bearing, .500 x 40mm x 12mm
26	946-04701	Clutch Cable
27	747-05360A	Drive Cable Wire Support
28	748-0234	Shoulder Spacer

Ref.	Part Number	Description
29	749-04810	Lower Handle
30	750-04571	Shoulder Spacer, .260 x .785 x .538
31	750-04758	LH Auger Spacer
32	750-05393	RH Auger Spacer
33	790-00444	RH Auger Plate
34	790-00445	LH Auger Plate
35	790-00457	Bearing Cup
36	790-00461	Idler Bracket
37	790-00426	Cable Idler Bracket
38	726-0299	Push Cap, 1/2
39	734-04033††	Wheel, 8 x 2 (Gray)
	634-04607†	Wheel, 7 x 2 (Black)
40	750-05417††	Sleeve Spacer, .525 x .78 x 1.00
	750-04432†	Spacer, .525 x .775 x .835
41	747-05513	Gas Tank Wire Support
42	751-10487A	Fuel Cap
43	751-11648	Fuel Tank
44	731-07664††	Choke Extension Lever
45	710-0654A	Hex Washer Screw, 3/8-16 x 1.000
46	912-0702	Flange Nut, 7/16-20
47	726-0205	Hose Clamp
48	954-04050	Belt, .500 x 35.06
49	956-0416B	Pulley Half, .625 x 2.25
50	756-04443	Pulley, 1/2 x 6.00
51	726-0233	Push Nut
52	710-05058	Hex Washer Screw, 1/4-20 x .750
52	736-0371	Thrust Washer, .343 x .880 x .062
53	736-3092	Washer, .265 x 1.00 x .030

† Model 2M5

†† Model 2T5