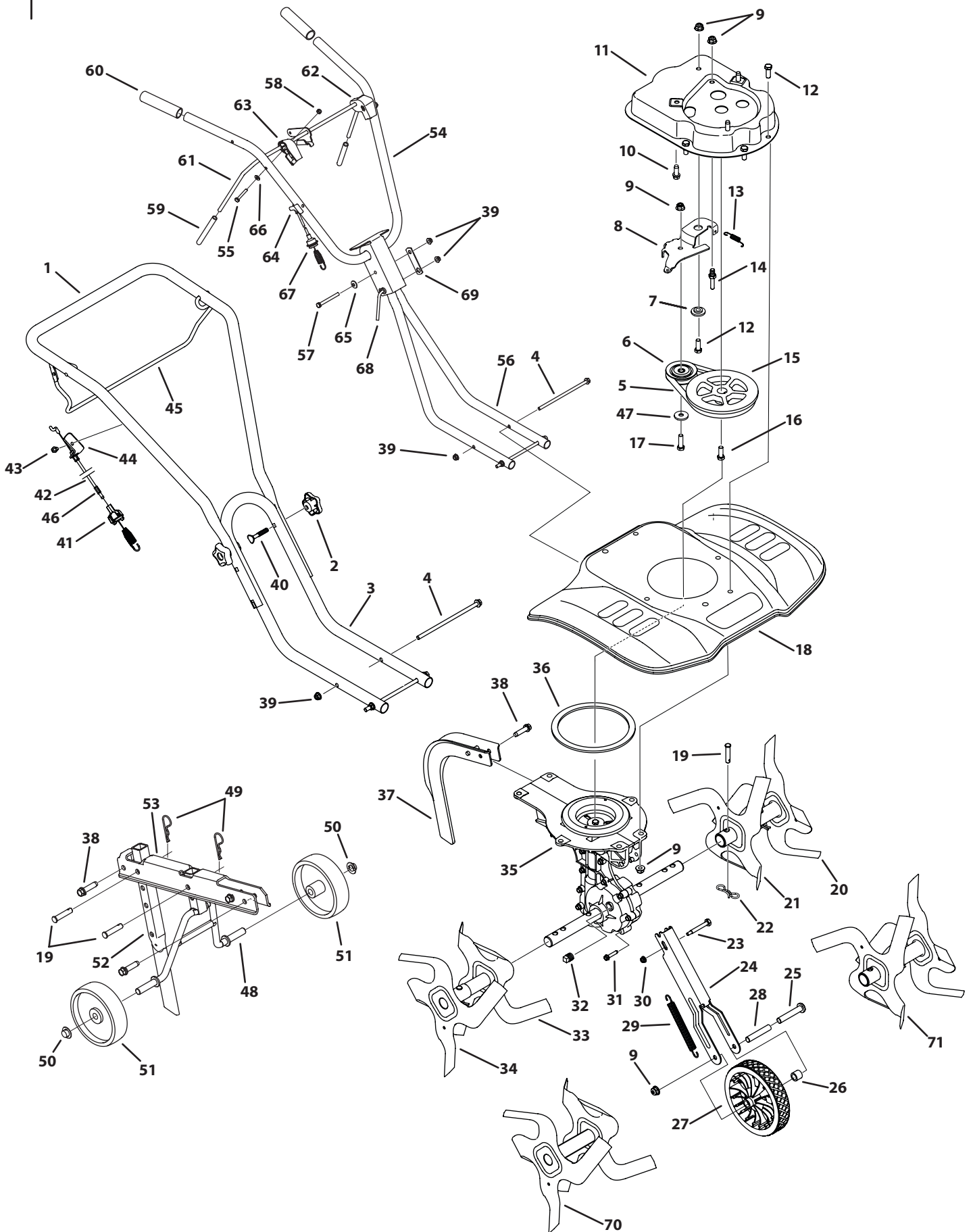


Model Series 200



Model Series 200

Ref.	Part Number	Description
1	749-04282	Upper Handle
2	720-04072A	Star Handle Knob
3	749-04281	Lower Handle
4	710-04398	Flange Screw: 5/16-18:7.5:GR5
5	954-04123	V-Belt
6	756-04163	Idler Pulley
7	748-04125	Shoulder Spacer
8	686-04080	Idler Bracket
9	712-04065	Flange Lock Nut: 3/8-16
10	710-0654A	TT Screw: 3/8-16:1.00
11	786-04303	Belt Cover
12	710-0514	Hex Cap Screw: 3/8-16:1.00
13	732-0418	Extension Spring
14	738-04139	Stud: 33 x 1.5: 3/8-16
15	756-04217	Flywheel Pulley
16	710-0591	Hex Cap Screw: 3/8-24:1.00
17	710-0520	Hex Cap Screw: 3/8-16:1.55
18	786-04256	Tine Shield 61 cm
	786-04259	Tine Shield 40 cm (model 220)
19	911-0415	Clevis Pin
20	642-0005	Outer Tine Assembly LH
21	642-0003	Inner Tine Assembly LH
22	714-04043	Cotter Pin, Bow Tie
23	738-04172	Shoulder Screw: .31x2:1/4-20
24	786-04232	Front Wheel Bracket
25	710-0521	Hex Cap Screw: 3/8-16:3.00
26	750-04578	Spacer
27	734-04063A	Wheel 7x1.5 Star-Diam
28	749-04204	Sleeve
29	932-0384	Extension Spring
30	712-04064	Flange Lock Nut: 1/4-20
31	710-0809	TT Screw: 1/4-20:1.25
32	737-04202	Pipe Plug: 3/8 NPT
33	642-0002	Inner Tine Assembly RH
34	642-0004	Outer Tine Assembly RH
35	918-04276B	Case Assembly
	918-04271B	Case Assembly 40cm (model 220)

Ref.	Part Number	Description
36	721-04157	Gasket
37	686-04072	Depth Stake Assembly
38	710-1007	TT Screw: 3/8-16:1.50
39	712-04063	Flange Lock Nut: 5/16-18
40	710-0487	Carriage Bolt
41	731-05385	Clutch Cable Fitting
42	946-04626	Clutch Cable
43	710-0599	TT Screw: 1/4-20:.50
44	786-04307	Cable Mount Bracket
45	747-04508	Clutch Bail
46	716-0208	Retaining Ring
47	936-0300	Flat Washer, .406 x .875 x .059
48	686-04130	Rear Wheel Tube Assembly
49	714-3020	Cotter Pin
50	726-0299	Push Cap
51	734-0973	Wheel 5 x 1.38
52	749-04265	Depth Stake Tube
53	786-04296	Wheel Bracket
54	649-04030	Upper Handle
55	710-0136	Hex Head Cap Screw, 1/4-20 x 1.75
56	649-04029	Lower Handle
57	710-0189	Hex Head Cap Screw, 5/16-18 x 3.00
58	712-0324	Hex Lock Nut, 1/4-20
59	720-0269	Handle Grip
60	720-0274	Grip, 1.0 ID x 5.0 LG
61	647-04047	Clutch Bail
62	731-05095B	Bail Holder LH
63	731-05096B	Bail Holder RH
64	731-05272	Handle Fitting
65	736-0242	Bell Washer, .340 x .872 x .060
66	936-0463	Flat Washer, .25 x .630 x .0515
67	946-04663	Clutch Cable
68	786-0340A	Handle Crank
69	786-0341	Retainer Bracket
70	642-04032	Tine Assembly RH (model 220)
71	642-04031	Tine Assembly LH (model 220)