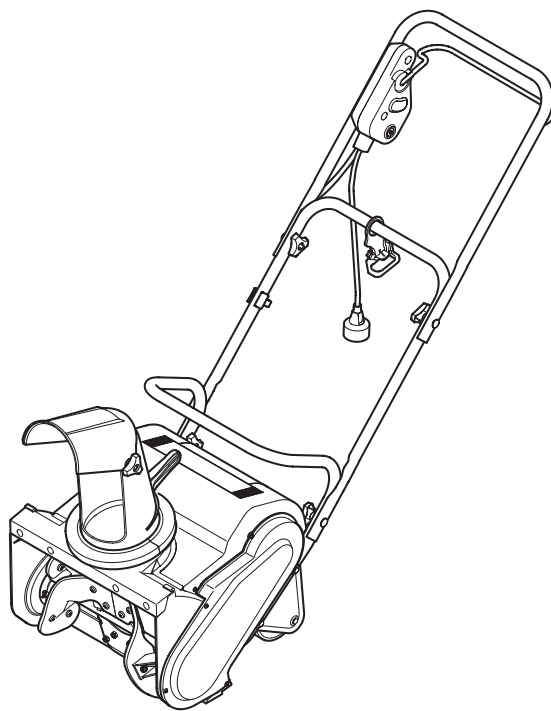

ILLUSTRATED PARTS MANUAL



Electric Snow Thrower — Flurry 1400

MTD LLC, P.O. BOX 361131 CLEVELAND, OHIO 44136-0019

777123427

TO START



**HOLD BUTTON
LIFT BAIL**

WHEN MOTOR STARTS,
RELEASE BUTTON.

TO STOP



**RELEASE
BAIL**

NOTICE

USE a UL approved
outdoor extension
cord

Recommended:
100 foot 14 Gauge

Acceptable:
50 foot 16 Gauge

777S33683

! DANGER



- NEVER PUT HAND IN CHUTE. CONTACT WITH ROTATING PARTS CAN AMPUTATE FINGERS AND HANDS.
- SHUT OFF MOTOR AND WAIT UNTIL ALL MOVING PARTS HAVE STOPPED BEFORE UNBLOCKING.
- USE CLEAN-OUT TOOL OR WOODEN STICK TO UNBLOCK DISCHARGE CHUTE.

777S33628

! DANGER AVOID SERIOUS INJURY OR DEATH

- READ OPERATOR'S MANUAL.
- AVOID INJURY FROM ROTATING IMPELLER - KEEP HANDS, FEET AND CLOTHING AWAY.
- STOP MOTOR BEFORE REMOVING DEBRIS OR UNBLOCKING DISCHARGE CHUTE.
- DO NOT USE HANDS TO UNBLOCK DISCHARGE CHUTE.
- DO NOT DIRECT DISCHARGE AT BYSTANDERS.
- KEEP BYSTANDERS AWAY.
- DO NOT WALK IN FRONT OF RUNNING MACHINE.
- USE FOR SNOW REMOVAL ONLY.
- TO REDUCE RISK OF ELECTRIC SHOCK - REPLACE DAMAGED CORD IMMEDIATELY.
- DISCONNECT CORD BEFORE CLEANING OR SERVICING.
- WHEN SERVICING USE ONLY IDENTICAL REPLACEMENT PARTS.

FOR SERVICE INFORMATION CALL:
U.S.A., 1-800-800-7310, CANADA, 1-800-668-1238
MTD LLC, CLEVELAND, OH. ASSEMBLED IN CHINA

DOUBLE INSULATED

Volts	120
Amps	11
Hertz	60

UL LISTED SNOW MOVER
E336325 3U25
AG ONLY

777D14930



777S33629

! DANGER

AVOID INJURY FROM
ROTATING AUGER-
KEEP HANDS, FEET
AND CLOTHING AWAY.



777D14931



777D14929

TROY-BILT

Electric Single-Stage Snow Thrower

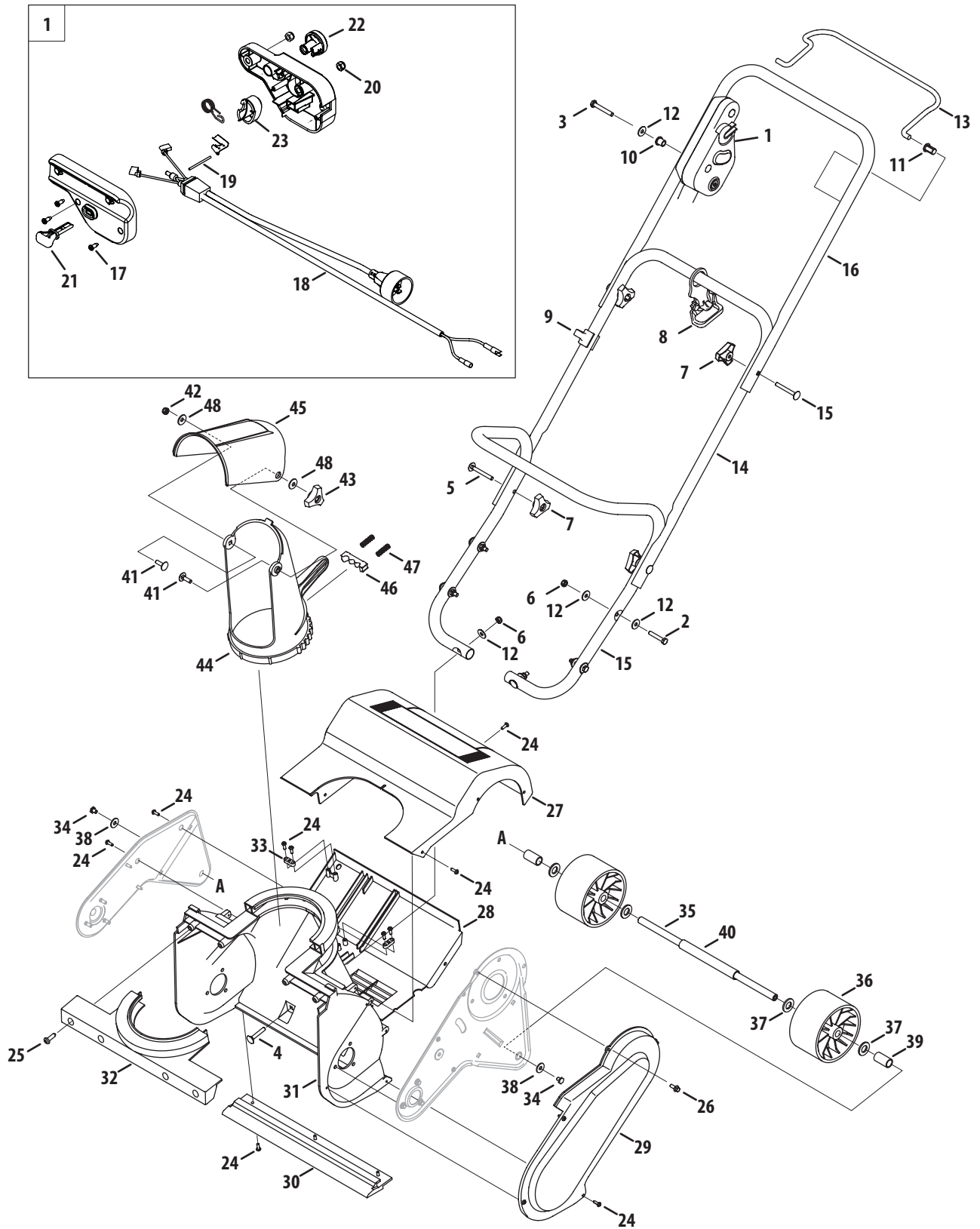
14"
Clearing Width

777122813

**CIRCUIT BREAKER
RESET BUTTON**



Frame, Handle & Chute

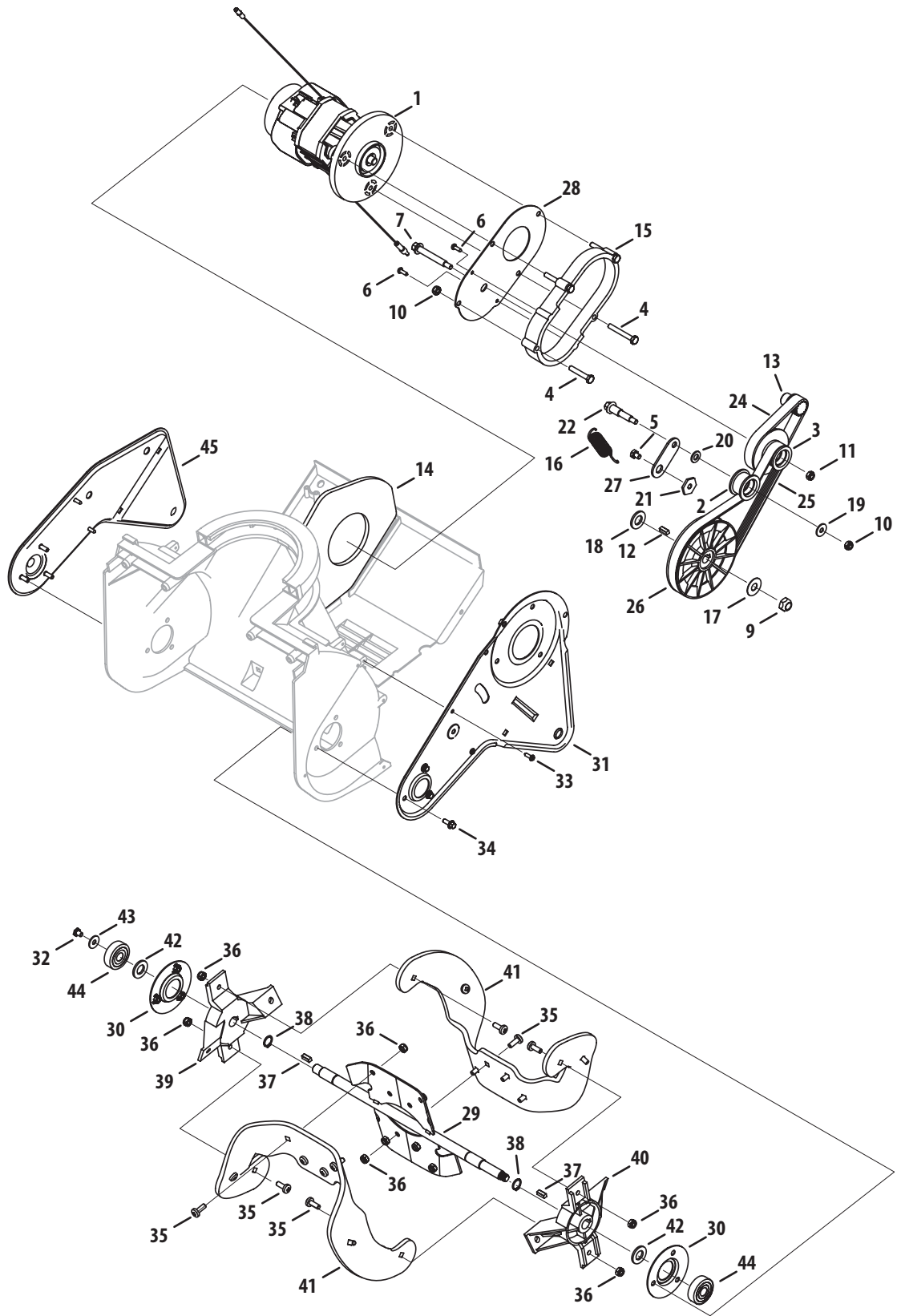


Frame, Handle & Chute

Ref.	Part Number	Description
1	925-04133	Switch, Assembly
2	710-04197	Screw, M6-1, 35.00
3	710-0501	Hex Screw, 1/4-20, 2.0, Gr5, Std
4	710-05121	Screw, Carriage, M6-1,35, Cl 8.8
5	710-05122	Screw, Carriage, M6-1,45, Cl 8.8
6	912-0691	Nut, Hex Lock, M6-1, Nylon
7	720-04153	Knob, M6
8	731-07757	Retainer, Cord
9	731-07761	Cable, Guide
10	731-07775	Sleeve, Insl, 7.40mm x 13mm
11	731-07776	Sleeve, Insl, 8mm x 11mm OD
12	736-0685	Washer, Flat, 6.4 Id x 18 OD
13	747-05312	Bail, Electric Switch
14	749-04691	Handle, Mid
15	749-04699	Handle, Lower, Lift Type
16	749-04721	Handle, Upper
17	1755	Screw, 10-9x.50
18	925-04134	Harness Assembly, 120v
19	711-1145	Shaft, Pivot, Switch
20	712-0324	Nut, Hex Lock, 1/4-20, Gr8, Nylon
21	731-06089	Key
22	731-1571A	Clip, Bail Lock
23	731-1572	Button, Bail Lock
24	710-05137	Screw, Tap, M4.2 x 1.4 x 13

Ref.	Part Number	Description
25	710-05148	Screw, Tap, M6.3 x 1.8 x 20
26	710-05171	Screw, Mach, M5 x 0.8 x 13
27	731-07629	Cover, Top
28	731-07630	Cover, Engine, Lower
29	731-07634	Cover, Belt
30	731-07640	Blade, Scraper
31	731-07682	Housing, Auger, Red
32	731-07684	Cover, Front, Red
33	731-07722	Bracket, Cord, Holder
34	710-05132	Screw, Hex Screw, M6 x 8mm
35	911-05381	Shaft, Roller, Wheel
36	731-07636	Wheel, Roller
37	736-04502	Washer, Flat, M12
38	736-0685	Washer, Flat, 6.4 Id x 18 OD
39	750-05403	Spacer, 13.0 x 17.0 x 30.0
40	750-05405	Spacer, 13.0 x 17.0 x 134.0
41	710-1687	Screw, Carriage, M6-1, 20.00
42	912-0691	Nut, Hex Lock, M6-1
43	720-04153	Knob, M6
44	731-07627	Chute, Lower, Snow
45	731-07628	Chute, Upper
46	731-07648	Bracket, Chute, Ratchet
47	732-04762	Spring, Compression x 1.0, .8
48	736-0270	Washer, Bell, .265 x .750 x .062

Motor & Auger



Motor & Auger

Ref.	Part Number	Description
1	924-04030A	Motor Assembly (Incl. Ref 13)
2	931-04505	Pulley Assembly, Idler
3	656-04060A	Pulley Assembly
4	710-04197	Screw, M6-1, 35.00
5	710-05132	Screw, Hex Screw, M6 x 8mm
6	710-05137	Screw, Tap, M4.2 x 1.4 x 13
7	710-05187	Screw, Hex Flange, M8-1.25, 60mm
8	710-1391	Screw, M6-1, 45.00
9	712-04255	Nut, Hex, Torque, M10
10	912-0691	Nut, Hex Lock, M6-1
11	712-0692	Nut, Hex Lock, M8-1.25, Nylon
12	714-04089	Key, Square, 5 x 5 x 13
13	756-04455A	Pulley, 5mm, 15 Tooth
14	723-04076	Gasket, Foam
15	731-07772	Spacer, Motor Mount
16	732-04770	Extension Spring, Idler
17	936-0101	Washer, Flat, .406 x 1.0 x .030
18	736-04502	Washer, Flat, M12
19	736-0685	Washer, Flat, 6.4 Id x 18 OD
20	736-0700	Washer, Flat, 8.4 x 16 x 1.60
21	738-04446	Spacer, Shoulder, Hex, M6
22	738-04449	Screw, Shoulder
23	750-05435	Spacer, 8.35 x 16 x 11.65

Ref.	Part Number	Description
24	754-04279A	Belt, Sync
25	754-04281A	Belt, Poly, 6 Rib
26	756-04451	Pulley, Auger, 6 Rib
27	790-00418	Bracket, Idler
28	790-00425	Plate, Motor Mount
29	684-04365	Auger Weldment
30	684-04366	Plate, Bearing Retainer
31	684-04370	Plate, LH Side
32	710-05132	Screw, Hex Screw, M6 x 8mm
33	710-05137	Screw, Tap, M4.2 x 1.4 x 13
34	710-05158	Screw, Hex Flange, M5 x 13mm
35	710-1389	Screw, M6 -1, 16
36	912-0691	Nut, Hex Lock, M6-1, Nylon
37	714-04089	Key, Square, 5x5x13
38	716-04170	Snap Ring, External
39	731-07642	Bracket, Paddle, Mount, LH
40	731-07638	Bracket, Shovel, Mount, RH
41	735-04238	Paddle Auger, Rubber
42	736-04502	Washer, Flat, M12, Ansi Narrow
43	736-0685	Washer, Flat, 6.4 Idx18 OD
44	741-04466	Bearing, Ball, 12 x 37 x 12
45	790-00397	Outer Frame, RH