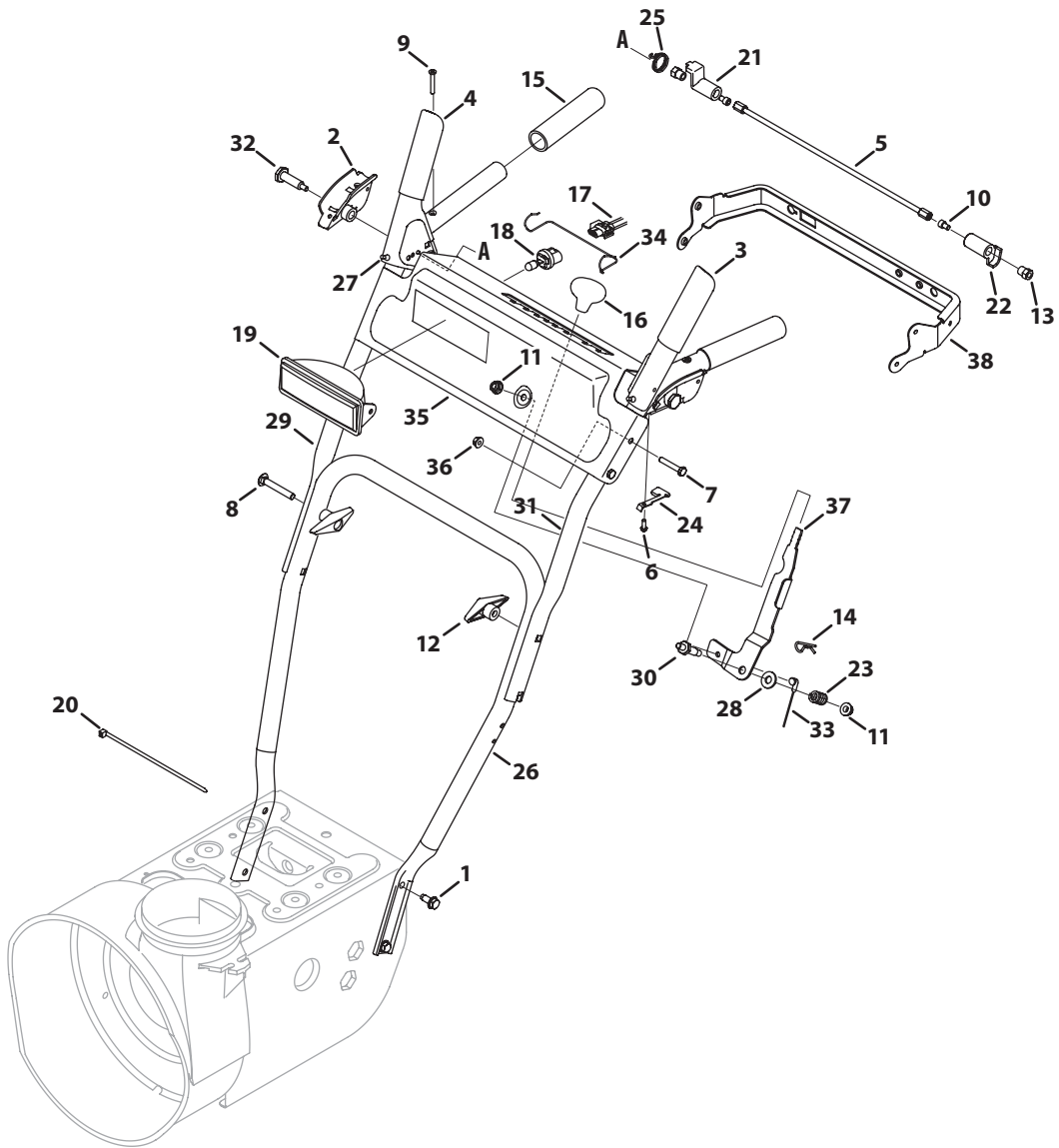


Ref.	Part Number	Description
1	710-04484	Taptite Screw, 5/16-18 x .750
2	631-04133A	Clutch Lock Handle Assembly, LH
—	631-04134B	Clutch Lock Handle Assembly, RH
3	684-04105B	Engagement Assembly, LH
4	684-04106B	Engagement Assembly, RH
5	710-0606	Hex Head Screw, 1/4-20 x 1.50 +
6	710-1233	Machine Screw, #10-24 x 1.375
7	712-04064	Flange Lock Nut, 1/4-20

Ref.	Part Number	Description
8	720-0274	Grip, 1.0 ID x 5.0 LG
9	935-0199A	Rubber Bumper, .62 OD x .22 Thick
10	738-04348	Shoulder Screw, .437 x 1.345 x 1/4-20
11	790-00100	Handle Panel
12	720-04072A	Wing Knob
13	749-04190A	Upper RH Handle
14	749-04191A	Upper LH Handle
15	749-04138A	Lower Handle

E/F-Style Panel



E/F-Style Panel

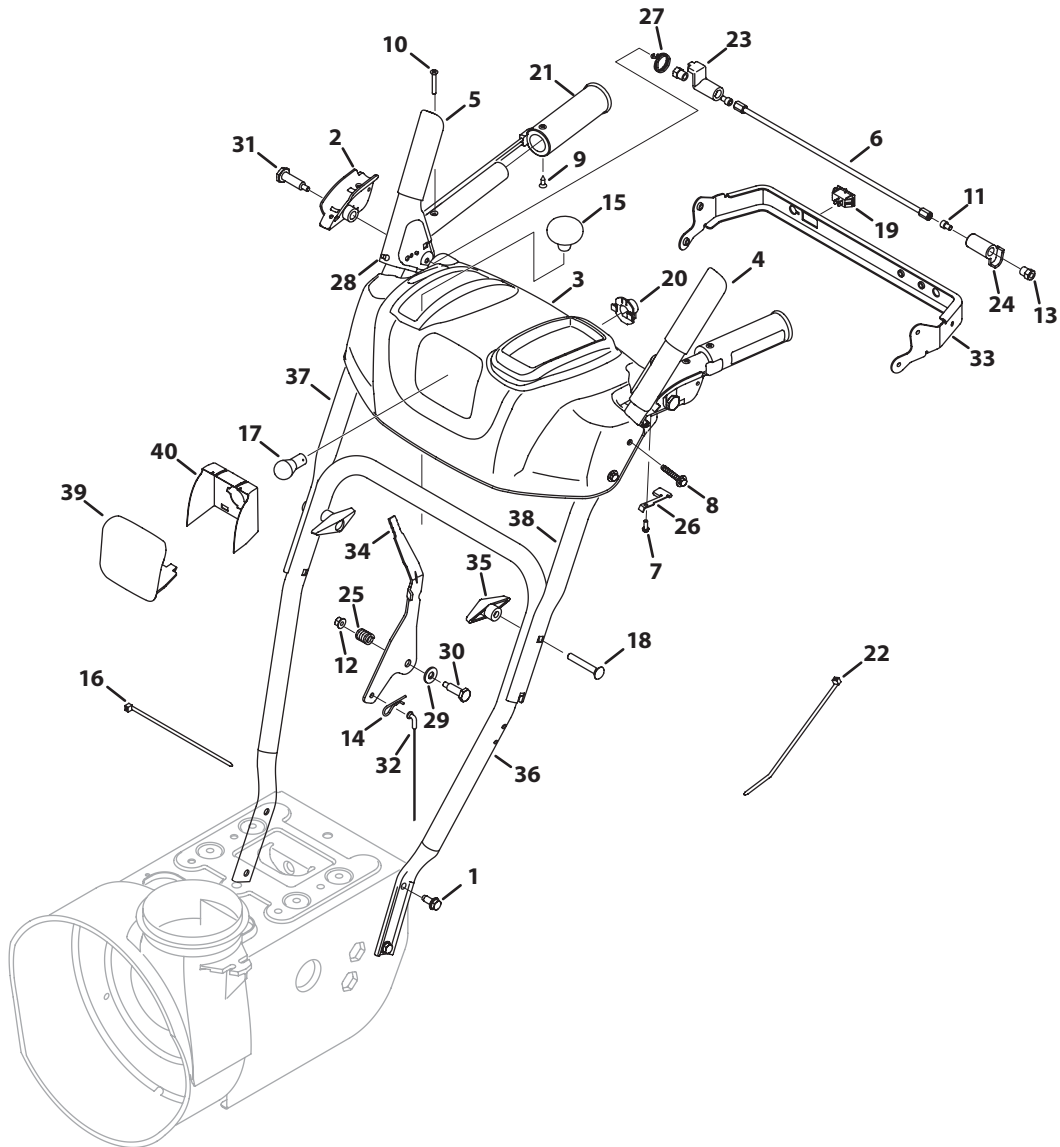
Ref.	Part Number	Description
1	710-04484	Taptite Screw, 5/16-18 x .750
2	631-04133A	Clutch Lock Handle Assembly, LH
—	631-04134B	Clutch Lock Handle Assembly, RH
3	684-04105B	Engagement Assembly, LH
4	684-04106B	Engagement Assembly, RH
5	684-04250	Clutch Pivot Lock Rod Assembly
6	710-04326	Hex Washer Screw, #8-16 x .50
7	710-04586	Hex Washer Screw, 1/4-20 x .625
—	710-0606	Hex Head Screw, 1/4-20 x 1.50 +
8	710-0572	Carriage Screw, 5/16-18 x 2.25
9	710-1233	Machine Screw, #10-24 x 1.375
10	710-3069	Socket Screw, 1/4-20 x .50
11	712-04063	Flange Lock Nut, 5/16-18
12	720-04072A	Wing Knob
13	712-04081A	Hex Nut, 1/4-20
14	914-0145	Click Pin, .092 x 1.64
15	720-0274	Grip, 1.0 ID x 5.0 LG
16	720-04039	Shift Knob
17	725-05153	Snow Thrower Harness ^
18	925-1658	Halogen Lamp ^
19	925-1672	Lens/Lamp Assembly Housing ^

Ref.	Part Number	Description
20	926-0154	Cable Tie
21	731-04894D	Lock Plate
22	731-04896B	Clutch Lock Cam
23	732-0193	Compression Spring, .39 x .60 x .88
24	732-04219C	Clutch Lock Spring
25	732-04238	Torsion Spring, .8156 ID x .3038
26	749-04138A	Lower Handle
27	935-0199A	Rubber Bumper, .62 OD x .22 Thick
28	736-0262	Flat Washer, .385 x .870 x .092
29	749-04190A	Upper RH Handle
30	738-04118	Shoulder Bolt, 5/16-18 x .905
31	749-04191A	Upper LH Handle
32	738-04348	Shoulder Screw, .437 x 1.345 x 1/4-20
33	946-04397A	Speed Selector Cable
34	747-1136	Headlight Retainer ^
35	790-00209	Handle Panel w/ Light ^
—	790-00219-0691	Handle Panel w/o Light
36	712-04064	Flange Lock Nut, 1/4-20 +
37	790-00313	Speed Shift Lever
38	790-00248B	Panel Bracket
—	729-04035	Amp Connector

+ Models without Clutch Lock

^ Models with Light

K/L-Style Panel

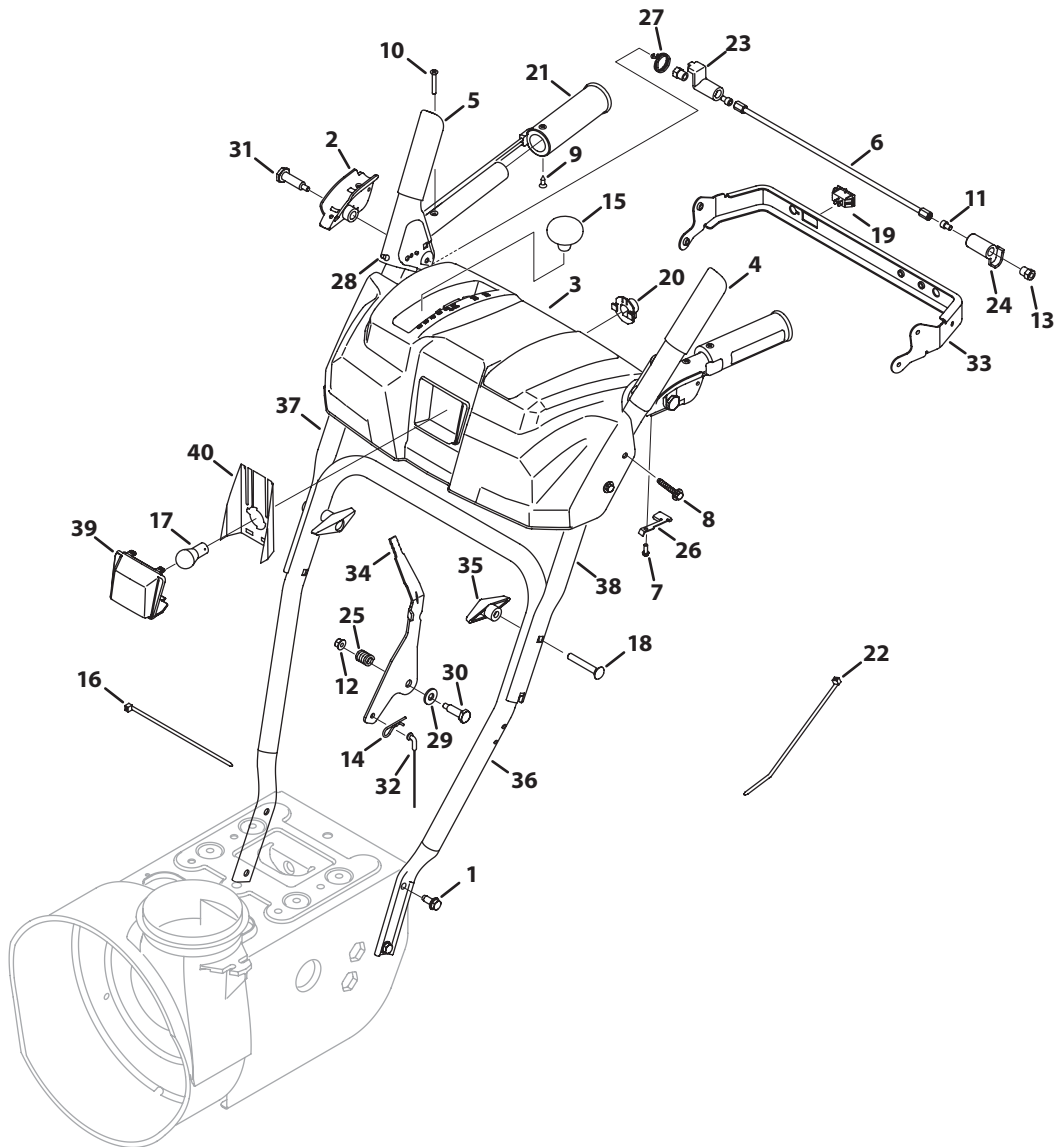


K/L-Style Panel

Ref.	Part Number	Description
1	710-04484	Screw, Taptite, 5/16-18 x .750
2	631-04134B	Clutch Lock, RH
—	631-04133A	Clutch Lock, LH
3	931-05348	Handle Panel, includes 39 & 40
4	684-04105B	Auger Engage, Black
5	684-04106B	Drive Engage, Black
6	684-04250	Pivot Rod
7	710-04326	Screw, Plastite, 8-16 x .50
8	710-04586	Screw, Taptite, 1/4-20 x 1.625
9	710-0837	Screw, 10-16 x 0.625
10	710-1233	Screw, 10-24 x 1.375
11	710-3069	Screw, 1/4-20 x .50
12	712-04064	Nut, Flange Lock, 1/4-20
13	712-04081A	Nut, Hex, 1/4-20
14	914-0145	Click Pin, .092 x 1.64
15	720-04039	Shift Knob
16	725-0157	Cable Tie, 7"
17	725-1629	Lamp, 12.8V, 357cc Engine
18	710-0572	Screw, Carriage, 5/16-18 x 2.25
19	725-04393	Heated Grip Switch
20	925-1649	Lamp Socket
21	725-05149	Heated Grip
22	926-0154	Cable Tie, Push Mount

Ref.	Part Number	Description
23	731-04894D	Plate, Lock
24	731-04896B	Cam, Clutch Lock
25	732-0193	Compression Spring, .39 x .60 x .88
26	732-04219C	Clutch Lock Spring
27	732-04238	Torsion Spring, 0.8156 x .3038
28	935-0199A	Rubber Bumper
29	936-0267	Washer, Flat, .385 x .87
30	738-04125	Screw, Shield, .374 x 1.05
31	738-04348	Screw, Shoulder, .437 x 1.345 x 1/4-20
32	946-04396A	Speed Selector Cable
33	790-00248B	Panel Bracket
34	790-00311A	Shift Lever
35	720-04072A	Wing Knob
36	749-04138A	Lower Handle
37	749-04190A	Upper RH Handle
38	749-04191A	Upper LH Handle
39	731-05320	Lens Panel
40	777X41803	Lens Label
—	925-04137	Harness Assembly
—	725-05148	Heated Grips Harness, 357cc Engine
—	725-04694A	Heated Grips Harness, 179cc & 208cc Engines

N/P/Q-Style Panel

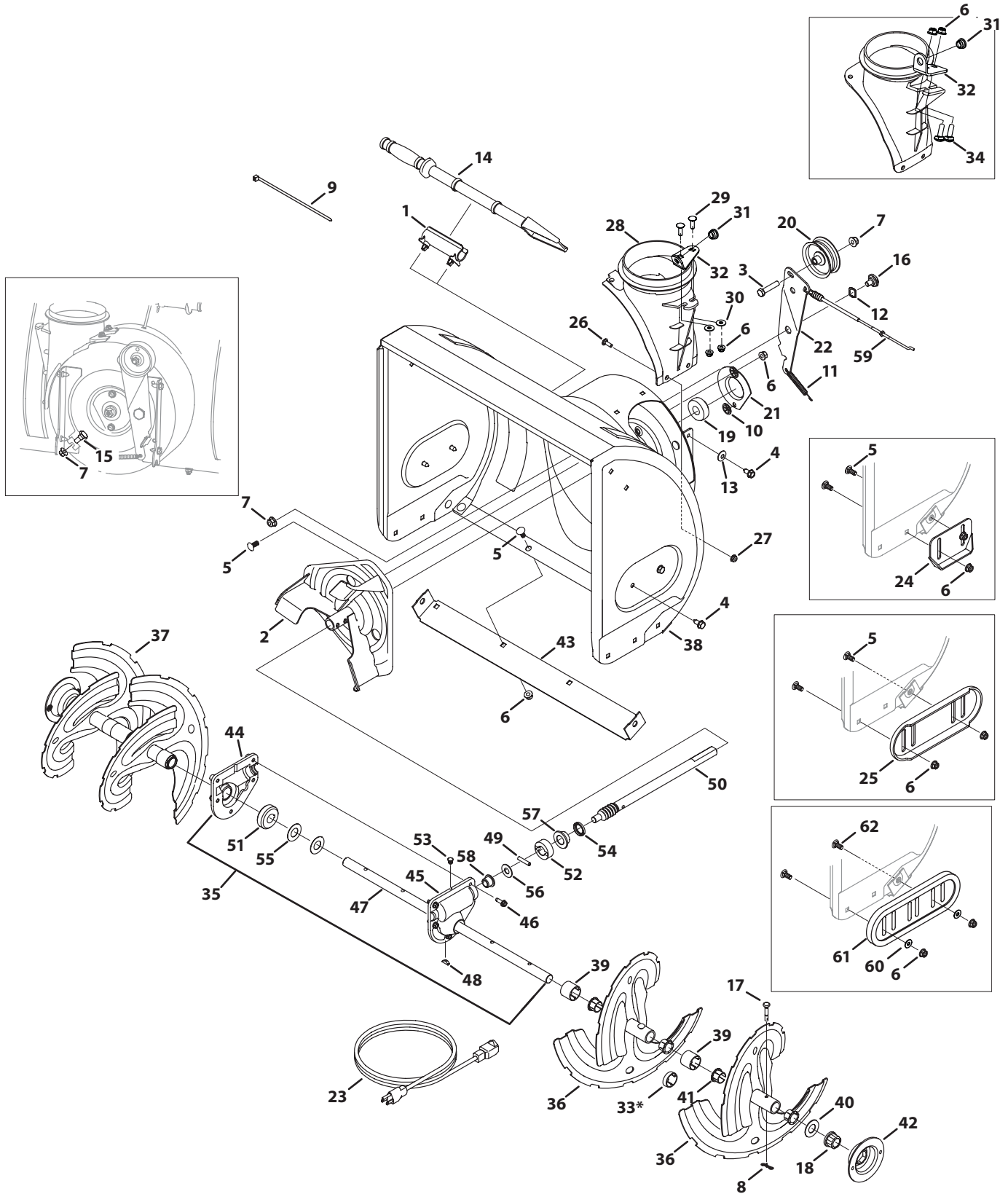


N/P/Q-Style Panel

Ref.	Part Number	Description
1	710-04484	Screw, Taptite, 5/16-18 x .750
2	631-04134B	Clutch Lock, RH
—	631-04133A	Clutch Lock, LH
3	931-05332A	Handle Panel w/ Light
—	731-05334A	Handle Panel w/o Light
4	684-04105B	Auger Engage
5	684-04106B	Drive Engage
6	684-04250	Pivot Rod
7	710-04326	Screw, Plastite, 8-16 x .50
8	710-04586	Screw, Taptite, 1/4-20 x 1.625
9	710-0837	Screw, 10-16 x 0.625
10	710-1233	Screw, 10-24 x 1.375
11	710-3069	Screw, 1/4-20 x .50
12	712-04064	Nut, Flange Lock, 1/4-20
13	712-04081A	Nut, Hex, 1/4-20
14	914-0145	Click Pin, .092 x 1.64
15	720-04039	Shift Knob
16	725-0157	Cable Tie, 7"
17	725-1629	Lamp, 12.8V
—	725-1629	Lamp
18	710-0572	Screw, Carriage, 5/16-48 x 2.25
19	725-04393	Heated Grip Switch
20	925-1649	Lamp Socket

Ref.	Part Number	Description
21	725-05149	Heated Grip
—	720-0274	Grip
22	926-0154	Cable Tie, Push Mount
23	731-04894D	Plate, Lock
24	731-04896B	Cam, Clutch Lock
25	732-0193	Compression Spring, .39 x .60 x .88
26	732-04219C	Clutch Lock Spring
27	732-04238	Torsion Spring, 0.8156 x .3038
28	935-0199A	Rubber Bumper
29	936-0267	Washer, Flat, .385 x .87
30	738-04125	Screw, Shield, .374 x 1.05
31	738-04348	Screw, Shoulder, .437 x 1.345 x 1/4-20
32	946-04396A	Speed Selector Cable
33	790-00248B	Panel Bracket
34	790-00311A	Shift Lever
35	735-0284	Wing Knob
36	749-04138A	Lower Handle
37	749-04190A	Upper RH Handle
38	749-04191A	Upper LH Handle
39	731-05319	Lens Panel, Troy-Bilt
40	777X41805	Lens Label, Troy-Bilt
	729-04035	Amp Connector, Not Shown

Auger & Auger Housing



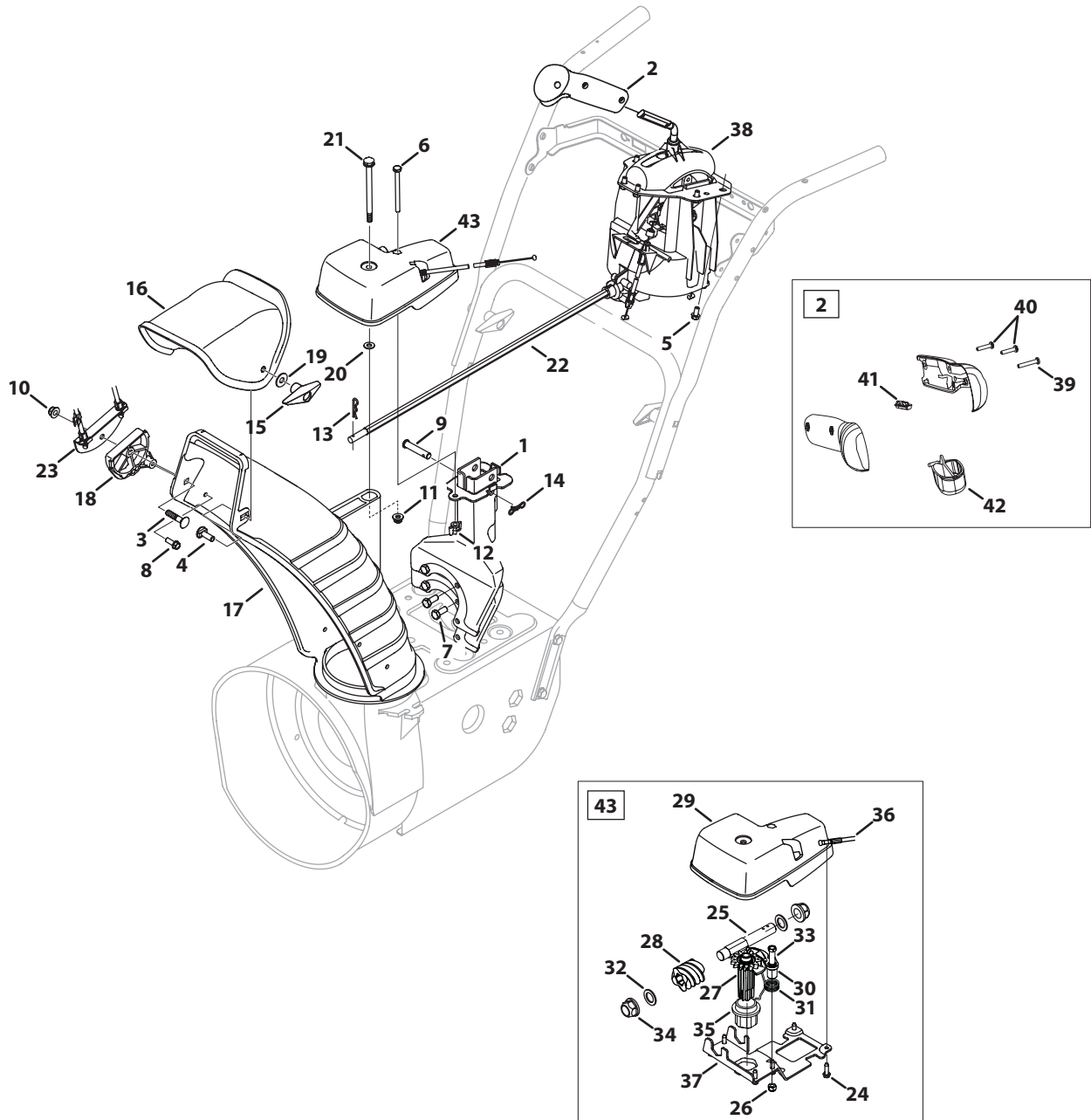
* 30" models only

Auger & Auger Housing

Ref.	Part Number	Description
1	731-2635	Cleanout Tool Mount
2	684-04057A	Impeller Assembly, 12"
3	710-0347	Hex Screw, 3/8-16 x 1.75
4	710-04484	Hex Washer Screw, 5/16-18 x .750
5	710-0451	Carriage Bolt, 5/16-18 x .750
6	712-04063	Flange Lock Nut, 5/16-18
7	712-04065	Flange Lock Nut, 3/8-16
8	714-04040	Bow-Tie Cotter Pin
9	725-0157	Cable Tie, 3/16 x .05 x 7.4
10	926-04012	Push Nut, .25 Dia.
11	732-04460	Extension Spring
12	736-0174	Wave Washer, .625 x .885 x .015
13	736-0242	Bell Washer, .340 x .872 x .060
14	731-2643	Chute Cleanout Tool
15	738-0143	Shoulder Bolt, .496 x .336 x 3/8-16
16	938-0281	Shoulder Screw, .625 x .17 x 3/8-16
17	738-04124A	Shear Pin, .25 x 1.50
18	941-0245	Hex Flange Bearing, .75 ID
19	941-0309	Ball Bearing, .75 ID x 1.85 OD
20	756-04224	Idler Pulley, 2.75 OD
21	790-00075	Bearing Housing, 1.85 ID
22	790-00080A	Auger Idler Bracket
23	929-0071A	Extension Cord (Electric Start Only)
24	784-5580	Skid Shoe
25	790-00091	Deluxe Skid Shoe
26	710-0703	Carriage Screw, 1/4-20 x .75
27	712-04064	Flange Lock Nut, 1/4-20
28	731-04705D	Chute Adapter, 5"
—	731-07525	Chute Adapter, 5" (4-way)
—	731-07117	Chute Adapter, 5" (side crank)
29	710-0276	Carriage Screw, 5/16-18 x 1.00
30	936-0159	Flat Washer, .349 x .879 x .063
31	941-0475	Plastic Bushing, .380 ID
32	784-5647	Chute Crank Bracket
33*	731-04871	Spacer, 1.250 x .75 ID x 3/16 LG
34	710-04071	Carriage Bolt, 5/16-18 x 1.00
35	918-04170B	Gearbox Assembly, 22"
—	918-04171B	Gearbox Assembly, 24"
—	918-04172B	Gearbox Assembly, 26"
—	918-04173A	Gearbox Assembly, 28"
—	918-04165A	Gearbox Assembly, 30"
36	684-04107	Spiral Assembly, LH

Ref.	Part Number	Description
37	684-04108	Spiral Assembly, RH
38	684-04266	Auger Housing Assembly, 22"
—	684-04265	Auger Housing Assembly, 24"
—	684-04270	Auger Housing Assembly, 24" (T-B)
—	684-04264	Auger Housing Assembly, 26"
—	684-04271	Auger Housing Assembly, 26" (T-B)
—	684-04268	Auger Housing Assembly, 28"
—	684-04272	Auger Housing Assembly, 28" (T-B)
—	684-04267	Auger Housing Assembly, 30"
39	731-04870	Spacer, 1.2500 x .75 ID x 1.00
40	736-0188	Flat Washer, .76 x 1.49 x .06
41	741-0493A	Flange Bushing, .800 ID x .910 OD
42	790-00087A	Bearing Housing, 1"
43	790-00117	Shave Plate, 22"
—	790-00120	Shave Plate, 24"
—	790-00121	Shave Plate, 26"
—	790-00118	Shave Plate, 28"
—	790-00119	Shave Plate, 30"
44	918-0123A	Housing Assembly, RH
45	918-0124A	Housing Assembly, LH
46	710-0642	Hex Washer Screw, 1/4-20 x .750
47	711-04286	Auger Axle, 22"
—	711-04285	Auger Axle, 24"
—	711-04284	Auger Axle, 26"
—	711-04283	Auger Axle, 28"
—	711-04282	Auger Axle, 30"
48	914-0161	Hi-Pro Key
49	715-04021	Dowel Pin, .25 OD x 1.25 LG
50	917-04126	Worm Shaft, .75 OD
51	717-04449	Worm Gear 20 T, 24" & 26"
—	917-0528A	Worm Gear 20 T, 28"& 30"
52	718-04071	Thrust Collar, .756 ID x .600
53	721-0325	Plug, 1/4 x .437
54	721-0327	Oil Seal, .75 x 1.131 x .188
55	936-0351	Flat Washer, .760 ID x 1.50 ID
56	736-3084	Flat Washer, .51 x 1.12 x .06
57	741-0662	Flange Bearing, .75 ID x 1.0 OD x .59
58	741-0663	Flange Bearing, .50 ID x .75 OD x .59
59	746-04230	Auger Drive Cable
60	936-0159	Washer, Flat, .349 x .879
61	731-05984A	Slide Shoe, Poly
62	710-0276	Carriage Screw, 5/16-18 x 1.00

2-Way & 4-Way Extended Chute

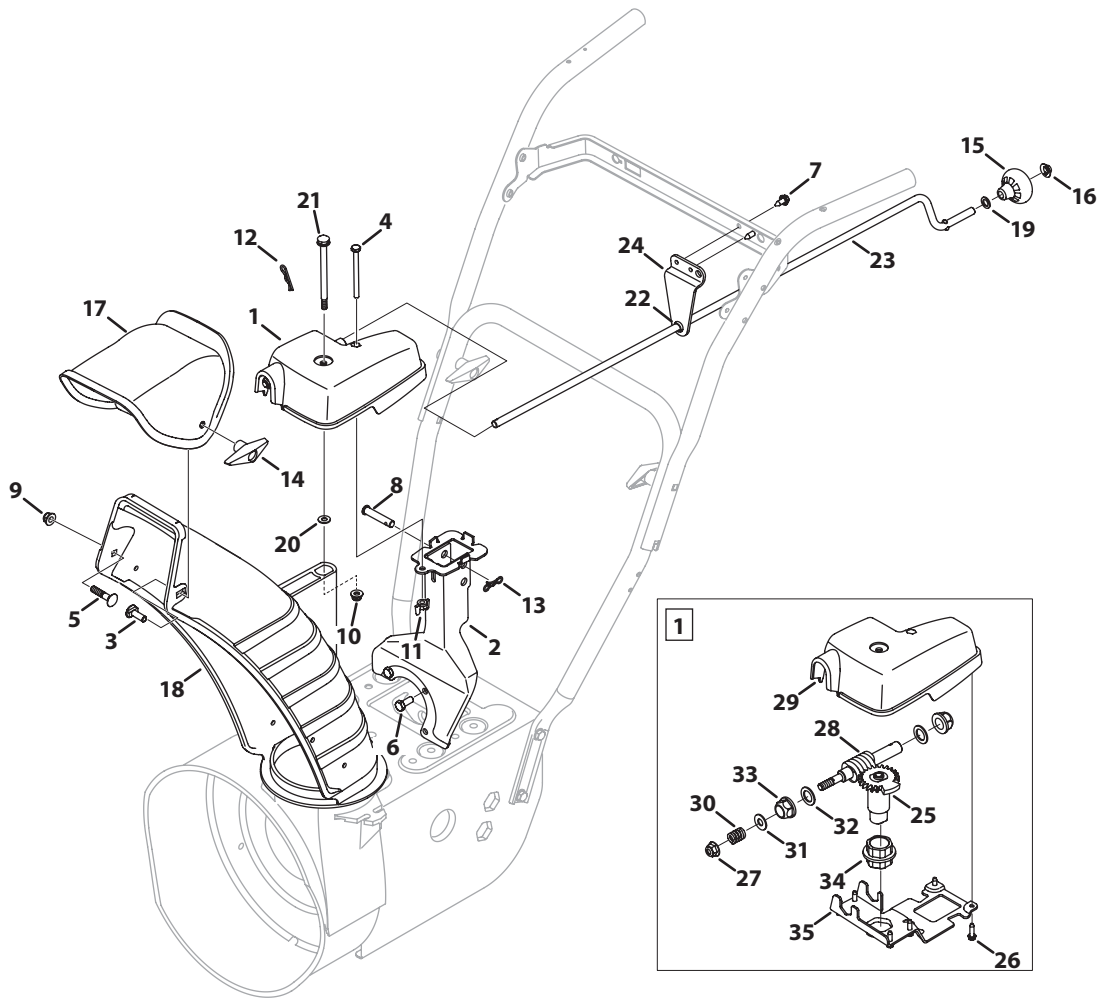


2-Way & 4-Way Extended Chute

Ref.	Part Number	Description
1	684-04310A	Chute Support Bracket (lrg. block)
—	684-04311A	Chute Support Bracket (small block)
2	753-06151	Chute Control, 4-Way
—	753-06154	Chute Control, 2-Way
3	710-0262	Bolt, Carriage, 5/16-18 x 1.50, 4-Way
—	710-0451	Bolt, Carriage, 5/16-18 x .750, 2-Way
4	710-04071	Bolt, Carrier, 5/16-18 x 1.00
5	710-04187	Screw, Hi-Lo, 1/4-15 x 0.50
6	710-04370	Hex Head Screw, 1/4-20 x 3.00
7	710-0627	Hex Head Screw, 5/16-24 x .750
8	710-0895	Screw, Hi-Lo, 1/4-15 x 0.750
9	711-04469A	Clevis Pin, 3/8 x 1.87
10	712-04063	Nut, Flange Lock, 5/16-18
11	712-04064	Nut, Flange Lock, 1/4-20
12	712-3087	Wing Nut, 1/4-20
13	914-0101	Internal Cotter Pin
14	714-04040	Bow-Tie Cotter Pin
15	720-04072A	Star Knob, 5/16-18
16	731-04427A	Chute, Upper, 4-Way
—	731-04426A	Chute, Upper, 2-Way
17	731-06440A	Chute, Lower
18	731-06451	Cable Guide, Chute Tilt
19	936-0159	Washer, Flat, .349 x .879
20	736-04446	Washer, Flat, .25 x .630

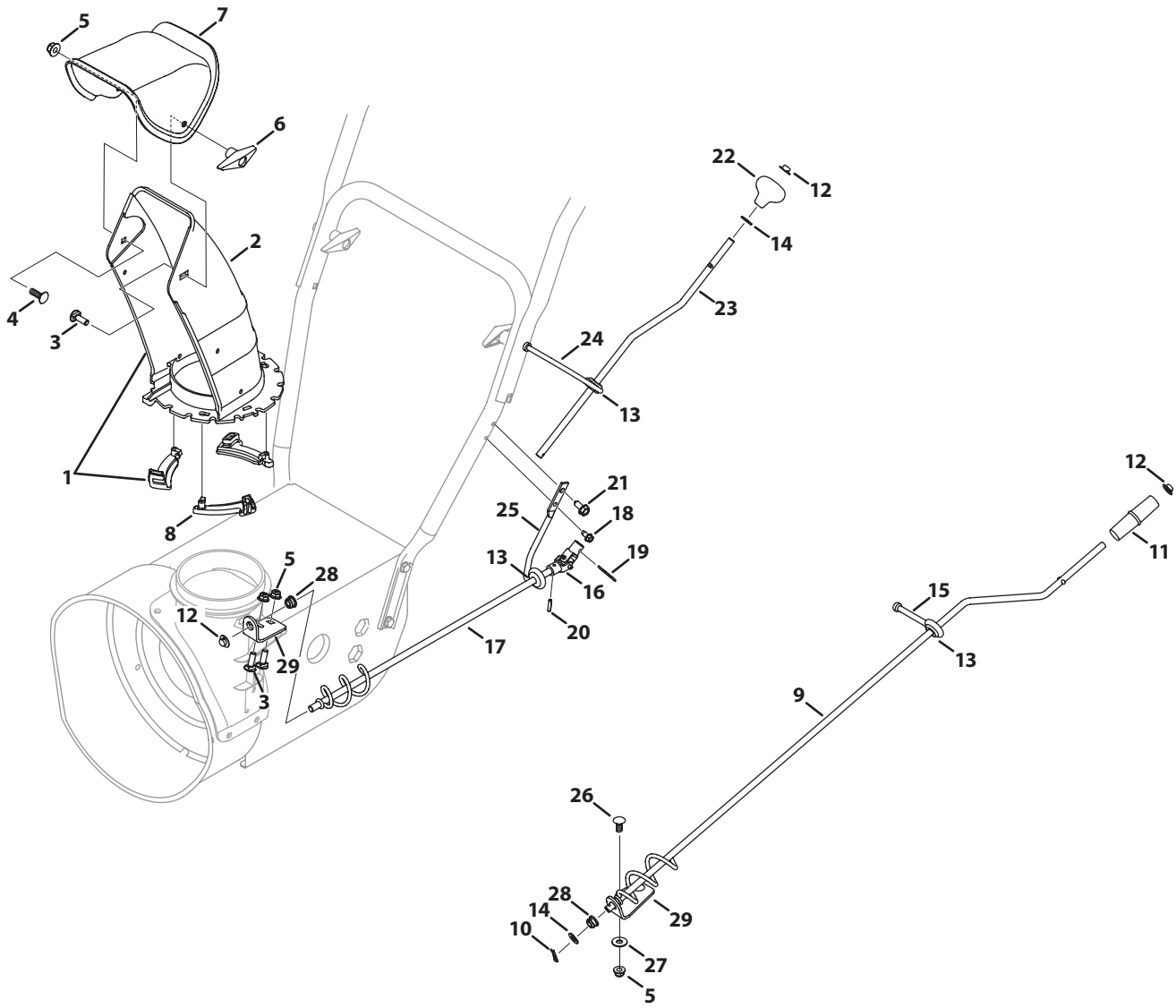
Ref.	Part Number	Description
21	738-04367	Screw, Shoulder, .312 x 3.5 x 1/4-20
22	747-05116	Chute Rod, 3/8 Hex
23	784-5594	Cable Bracket
24	710-04373A	Screw, 12-16 x .75
25	711-05186	Hex Shaft
26	712-0896	Hexlock Nut, 1/4-28
27	717-04667	Gear, 14 T
28	717-04672	Worm
29	731-06906	Gear Cover
30	731-06943	Pawl Lock
31	732-04638B	Torsion Spring, .721 ID x .474
32	736-0290	Washer, Flat, .625 x 1.0 x .067
33	738-04391	Screw, Shoulder, .34 x .95 x 1/4-28
34	941-0225	Hex Bearing
35	741-04388	Flange Bearing
36	946-04619B	Cable Lock
37	790-00342A	Gear Bracket
38	984-04338	Chute Control, 4-Way
—	984-04348	Chute Control, 2-Way
39	710-04353	Screw, #8 x 1.00
40	710-04879	Screw, 8-32 x .750
41	731-04893A	Joystick Plug
42	731-07031	Joystick Trigger
43	918-04801A	Chute Rotation Gearbox

Extended Chute



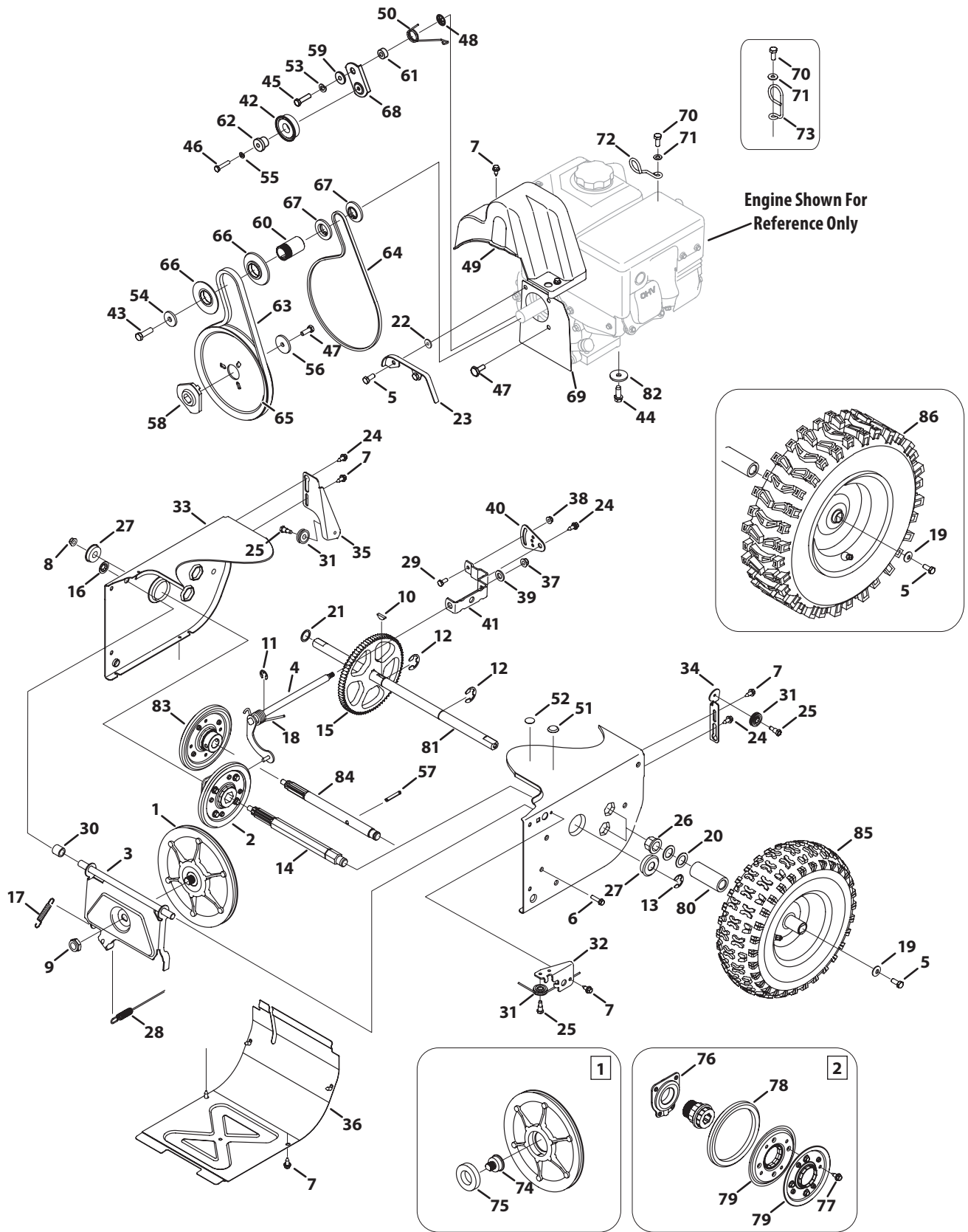
Ref.	Part Number	Description
1	918-04933	Chute Rotation Gear Box
2	684-04310A	Chute Support Bracket
3	710-04071	Carriage Bolt, 5/16-18 x 1.00
4	710-04370	Hex Screw, 1/4-20 x 3.00
5	710-0451	Carriage Bolt, 5/16-18 x .750
6	710-0627	Hex Lock Screw, 5/16-24 x .750
7	710-1652	Hex Washer Screw, 1/4-20 x .625
8	711-04469A	Clevis Pin, 3/8-1.87
9	712-04063	Flange Lock Nut, 5/16-18
10	712-04064	Flange Lock Nut, 1/4-20
11	712-3087	Wing Nut, 1/4-20
12	914-0101	Cotter Pin, .08 x 1.42
13	714-04040	Bow-tie Cotter Pin
14	720-04072A	Wing Knob, 5/16-18
15	720-04102	Shift Knob, .390
16	926-0100	Push Cap, 3/8
17	731-04426A	Upper Chute
18	731-06440A	Lower Chute, 5.0
19	936-0185	Flat Washer, .375 x .738 x .063
20	736-04446	Flaw Washer, .25 x .630 x .0515
21	738-04367	Shoulder Screw, .312 x 3.5 x 1/4-20
22	941-0475	Plastic Bushing, .380 ID
23	747-05386	Chute Crank
24	790-00341	Support Rod Bracket
25	684-04336A	Gear Assembly
26	710-04373A	Screw, 12-16 x .75
27	712-04065	Flange Lock Nut, 3/8-16
28	917-04636	Worm Shaft
29	731-06618	Gear Cover
30	732-0193	Compression Spring, .39 x .60 x .88
31	936-0267	Flat Washer, .385 x .87 x .06
32	736-0290	Flat Washer, .625 x 1.0 x .067
33	941-0225	Hex Bearing
34	741-04354	Flange Bearing
35	790-00342A	Gear Bracket

Standard 2-Way Chute



Ref.	Part Number	Description
1	631-04131B	Lower Chute Assembly
2	731-04912B	Lower Chute
3	710-04071	Carriage Bolt, 5/16-18 x 1.00
4	710-0451	Carriage Bolt, 5/16-18 x .750
5	712-04063	Flange Lock Nut, 5/16-18
6	720-04072A	Wing Knob
7	731-04426A	Upper Chute
8	731-04869A	Flange Keeper
9	684-04104	Chute Crank
10	914-0104	Cotter Pin, .072 x 1.13
11	720-0201A	Crank Knob
12	926-0100	Push Cap, 3/8
13	735-0234	Rubber Grommet
14	936-0185	Flat Washer, .375 x .738 x .063
15	747-04263	Eye Bolt
16	684-04350	Joint Assembly
17	684-04351	Chute Crank
18	710-0599	Taptite Screw, 1/4-20 x .500
19	914-0101	Cotter Pin, .08 x 1.42
20	715-04095	Pin, .156 x .875
21	710-04484	Taptite Screw, 5/16-18 x 2.25
22	720-04102	Shift Knob
23	747-05154	Upper Chute Rod
24	747-05157	Chute Rod Eye Bolt
25	747-05159	Lower Chute Rod
26	710-0276	Carriage Screw, 5/16-18 x 1.00
27	936-0159	Flat Washer, .349 x .879 x .063
28	941-0475	Plastic Bushing, .380 ID
29	784-5647	Chute Crank Bracket

Drive System



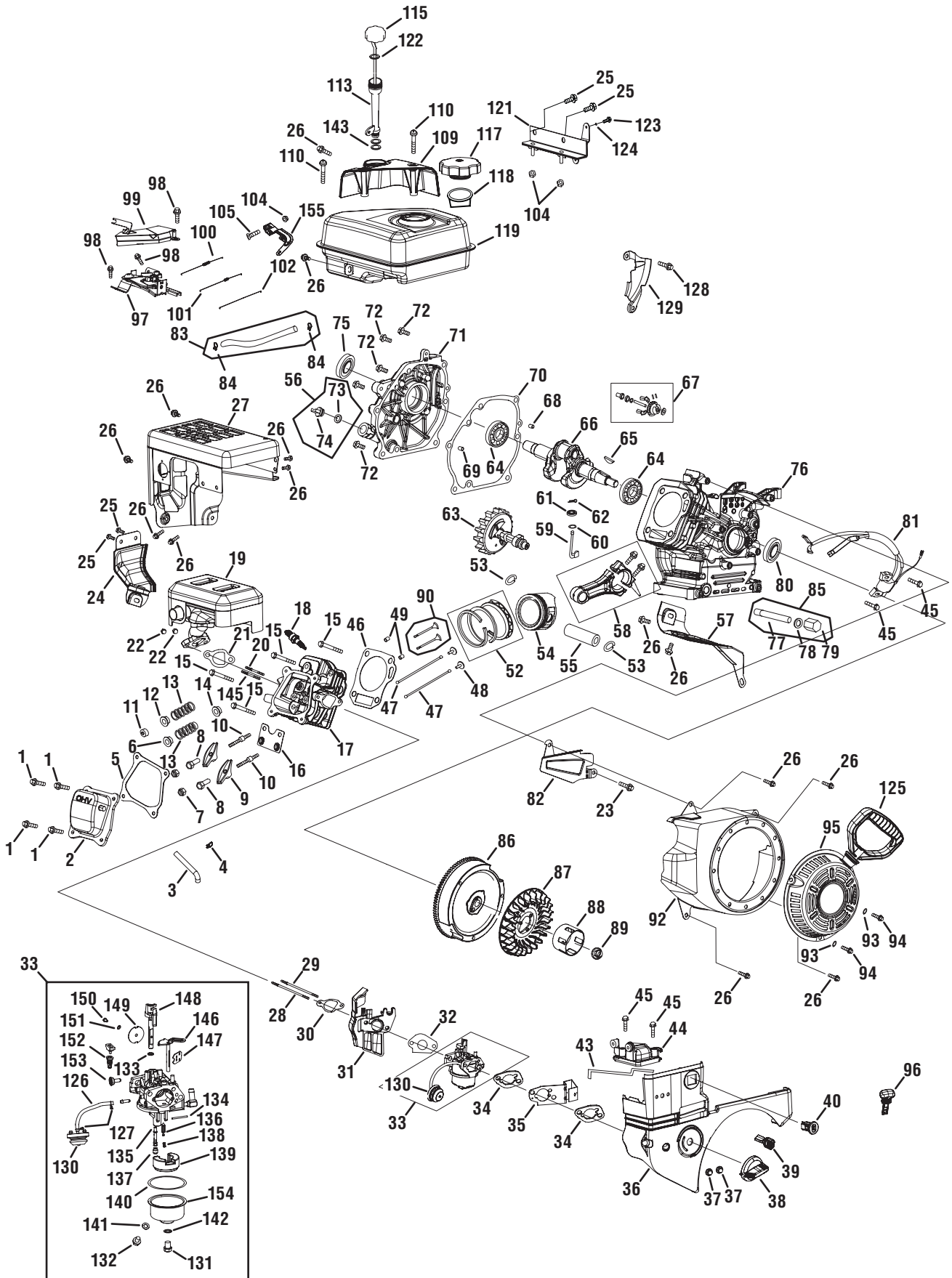
Ref.	Part Number	Description	Ref.	Part Number	Description
1	656-04055	Disc Assembly, Friction Wheel	40	790-00217A	Speed Selector Pivot Bracket
2	684-04153	Friction Wheel Assembly, 5.5 OD	41	790-00218A	Speed Selector Shift Bracket
3	684-04154B	Friction Wheel Support Bracket	42	684-04169	Idler Pulley Assembly
4	684-04156A	Rod Shift Assembly	43	710-0191	Hex Screw, 3/8-24 x 1.25
5	710-0627	Hex Head Screw, 5/16-24 x .750	44	710-0654A	Sems Screw, 3/8-16 x 1.00
6	710-0788	Taptite Screw, 1/4-20 x 1.000	45	710-0672	Hex Screw, 5/16-24 x 1.25
7	710-1652	Taptite Screw, 1/4-20 x .625	46	710-0809	Hex Screw, 1/4-20 x 1.25
8	712-04065	Flange Lock Nut, 3/8-16	47	738-04439	Shoulder Screw, 5/16-24 x .5
9	712-0417A	Flange Nut, 5/8-18	48	926-04012	Push-on Nut, .25 Dia.
10	914-0126	Hi-pro Key, 3/16 x 3/4 Dia.	49	731-06401	Belt Cover, 4-Way Irg. block
11	916-0104	E-Ring	—	731-05353	Belt Cover, 4-Way
12	716-0136	Retaining E-Ring, .875 Dia.	—	731-04792A	Belt Cover, Standard
13	916-0231	E-Ring, .750 Dia.	50	732-04308A	Torsion Spring, .850 ID x .333
14	917-04209A	Hex Shaft, 7-Tooth	51	735-04099	Plug, 3/8 ID
15	917-04230	Gear, 80-Tooth	52	735-04100	Plug, 1/2 ID
16	726-0221	Speed Nut, .500	53	936-0119	Lock Washer, 5/16
17	932-0264	Extension Spring	54	736-0247	Flat Washer, .406 x 1.25 x .157
18	732-04311	Torsion Spring, .750 x .968	55	936-0329	Washer, Lock, 1/4
19	736-0242	Bell Washer, .340 x .872 x .060	56	736-0505	Flat Washer, .34 x 1.50 x .150
20	936-0287	Flat Washer, .793 x 1.24 x .060	57	715-04020	Pin, Spirol, 2.5"
21	736-04161	Flat Washer, .75 x 1.00 x .060	58	748-04053A	Adapter Pulley, .75 Dia.
22	936-0140	Washer, Flat, .385 x .62 x .063	59	748-04112B	Shoulder Spacer, .3175 x .5 x .0975
23	731-07101	Belt Cover	60	750-04303	Spacer, .875 ID x 1.185 OD
24	738-04184A	Shoulder Screw, .368 x .113, 1/4-20	61	750-04477A	Spacer, .340 x .750 x .330
25	738-0924A	Shoulder Screw, 1/4-28, .340 x .355	62	750-04571	Shoulder Space, .260 x .785 x .538
26	941-0245	Hex Flange Bearing	63	954-04195	Auger Drive Belt, 4-Way Irg. block
27	941-0563	Ball Bearing, 17 x 40 x 12	—	954-04050	Auger Drive Belt, Standard
28	746-04229	Wheel Clutch Cable, 44.95"	64	954-04201A	Wheel Drive Belt, 4-Way Irg. block
29	710-0751	Hex Head Screw, 1/4-20 x .620	—	954-04260	Wheel Drive Belt, Standard
30	748-0190	Spacer, .508 ID x .75 OD x .68	65	756-04109	Auger Drive Pulley, 8.1 x .5
31	756-0625	Cable Roller	66	756-04113	Pulley Half, 2.600 OD
32	790-00096	Auger Cable Front Guide Bracket	67	756-04252	Pulley Half, 3/8 x 1.716 OD
33	790-00180A	Frame	68	790-00208C	Wheel Drive Idler Bracket
34	790-00206A	Auger Cable Guide Bracket	69	790-00332	Cover Plate, 4-Way Irg. block
35	790-00207B	Drive Cable Guide Bracket	—	790-00289A	Cover Plate, Standard
36	790-00316	Frame Cover	70	710-04022	Hex Head Screw, 1.25 x 20
37	712-04063	Flange Lock Nut, 5/16-18	71	936-0264	Washer, Flat, .330 x .630 x .0635
38	712-04064	Flange Lock Nut, 1/4-20	72	732-04677	Cable Guide
39	936-3015	Washer, Flat, .469 x .875 x .105	73	732-0705	Cable Guide

Cont'd on next page

Drive System

Ref.	Part Number	Description
74	738-04164A	Friction Disc Bearing Pin
75	741-04098	Ball Bearing, 30 x 55 x 13
76	618-0063A	Bearing Assembly
77	710-0896	Screw, 1/4-14 x .625
78	935-04054	Friction Wheel Rubber
79	790-00174	Friction Wheel Plate
80	731-04873	Spacer, 1.25 x .75 x 3.0
81	938-04168	Axle, .75 x 22
82	736-0320	Washer, Flat, .38 x 1.38 x .125
83	684-04360	Friction Wheel Ass'y, Single-Speed
84	717-04793	Shaft, Single-Speed
85	634-04144A-0911	Snow Hog Wheel, 13 x 4 x 6
—	634-04142A-0911	Snow Hog Wheel, 15 x 5 x 6
—	634-04141-0911	Snow Hog Wheel, 15 x 4.8
86	634-04167A-0911	X-Trac Wheel, 13 x 4 x 6, LH
—	634-04168A-0911	X-Trac Wheel, 13 x 4 x 6, RH
—	634-04147A-0911	X-Trac Wheel, 15 x 5 x 6, LH
—	634-04148A-0911	X-Trac Wheel, 15 x 5 x 6, RH
—	634-04145-0911	X-Trac Wheel, 16 x 4.8 x 8, LH
—	634-04146-0911	X-Trac Wheel, 16 x 4.8 x 8, RH

179 cc 165 SUB Engine



179 cc 165 SUB Engine

Ref. No.	Part No.	Description	Ref. No.	Part No.	Description
1	710-04968	Bolt	70	951-11371	Crankcase Cover Gasket
2	951-11054	Valve Cover	72	710-04932	Cover Bolt
3	731-07059	Breather Hose	75	951-11368	Oil Seal
4	726-04101	Hose Clamp	78	736-04440	Washer
7	751-11124	Pivot Locking Nut	80	951-11370	Oil Seal
8	751-11123	Valve Adjusting Nut	81	951-10646	Ignition Coil
10	710-04902	Pivot Bolt	82	951-11110	Air Flow Shield
15	710-04933	Bolt	83	951-10650	Fuel Line Kit (incl. clmps and fuel line)
18	951-10292	Spark Plug	84	951-11731	Hose Clamp
19	951-11282	Muffler Assembly	85	951-10641	Oil Drain Ass'y, includes 77, 78, 79
20	710-05001	Stud	86	951-10805	Flywheel
21	951-11289	Muffler Gasket	87	951-10934	Cooling Fan
22	712-04214	Nut	88	951-10911	Starter Cup
23	710-04940	Bolt	89	712-04209	Nut
24	951-11111	Exhaust Pipe Shield	90	951-10647	Valve Kit (incl. intk and exhst valve)
25	710-04914	Bolt	92	951-11509	Blower Housing
26	710-04915	Bolt	93	736-04455	Washer
27	951-10642A	Muffler Shroud	94	710-04974	Bolt
28	710-04939	Stud, M6 x117	95	951-10658	Recoil Starter Assembly
29	710-04910	Stud, M6 x 105	96	731-05632	Ignition Key
33	951-10974A	Carburetor Assembly	97	951-10758	Throttle Control Assembly
35	951-11112	Choke Control Bracket	98	710-05103	Bolt
36	951-10634	Engine Shroud	99	951-11108	Governor Shield
37	712-04213	Nut	100	951-11935	Governor Spring
38	951-11284	Choke Knob	101	951-10664	Throttle Return Spring
39	951-10757	Throttle Control Knob	102	951-10665	Governor Rod
40	951-10637	Ignition Switch	104	712-04212	Nut
43	951-10640	Choke Push Rod	105	710-04908	Bolt
44	951-10635	Heater Box	109	951-11914	Engine/Dipstick Cover
45	710-04919	Bolt	110	710-04905	Bolt
47	951-10648	Push Rod Kit (incl. intk and exhst rod)	113	951-11913	Dipstick Tube
49	715-04090	Dowel Pin	115	951-11912	Dipstick
57	951-11113	Air Shield	117	951-10649	Fuel Cap Assembly
59	951-11356	Governor Arm Shaft	118	951-11933	Fuel Level Indicator
60	736-04461	Washer	119	951-10653B	Fuel Tank
62	714-04074	Cotter Pin	121	951-11114	Switch Housing MTG Bracket
64	951-11369	Radial Ball Bearing	122	951-11904	O-Ring
65	951-10307	Flywheel Key	123	710-05197	Bolt
68	715-04092	Dowel Pin, 7 x 14	124	736-04526	Washer
69	715-04096	Dowel Pin, 9 x 14	125	731-05696	Starter Handle

179 cc 165 SUB Engine

Ref. No.	Part No.	Description
128	710-04918	Bolt
129	951-11109	Blower Housing Shield
130	951-10639A	Primer
131	710-04945	Bolt
132	710-04938	Drain Bolt
143	951-11903	O-Ring
155	951-11106	Governor Arm Bracket
—	951-10651	Fuel Tank Nipple (Not Shown)
—	952Z165-SUB-10	Engine, Complete
33	951-10974A	Carburetor Assembly
126	951-11905	Primer Hose
127	951-11906	Hose Clamp
130	951-10639A	Primer (includes primer bulb)
—	951-11824	Primer Bulb
131	710-04945	Bolt
132	710-04938	Drain Bolt
133	—	Gasket, Throttle Plate
134	—	Float Pin
135	—	Emulsion Tube
136	—	Needle Valve
137	—	Main Jet
138	—	Needle Valve Spring
139	—	Float
140	951-11589	Fuel Bowl Gasket
141	951-11349	Fuel Drain Plug Gasket
142	951-11348	Fuel Bowl Gasket
146	—	Choke Shaft
147	—	Choke Plate
148	—	Throttle Shaft
149	—	Throttle Plate
150	—	Screw, M3×5
151	—	Lock Washer
152	—	Idle Jet Assembly
153	—	Idle Speed Adjusting Screw
154	—	Fuel Bowl
56	951-11283	Oil Fill Plug Assembly
73	951-11577	O-Ring
74	—	Oil Fill Plug

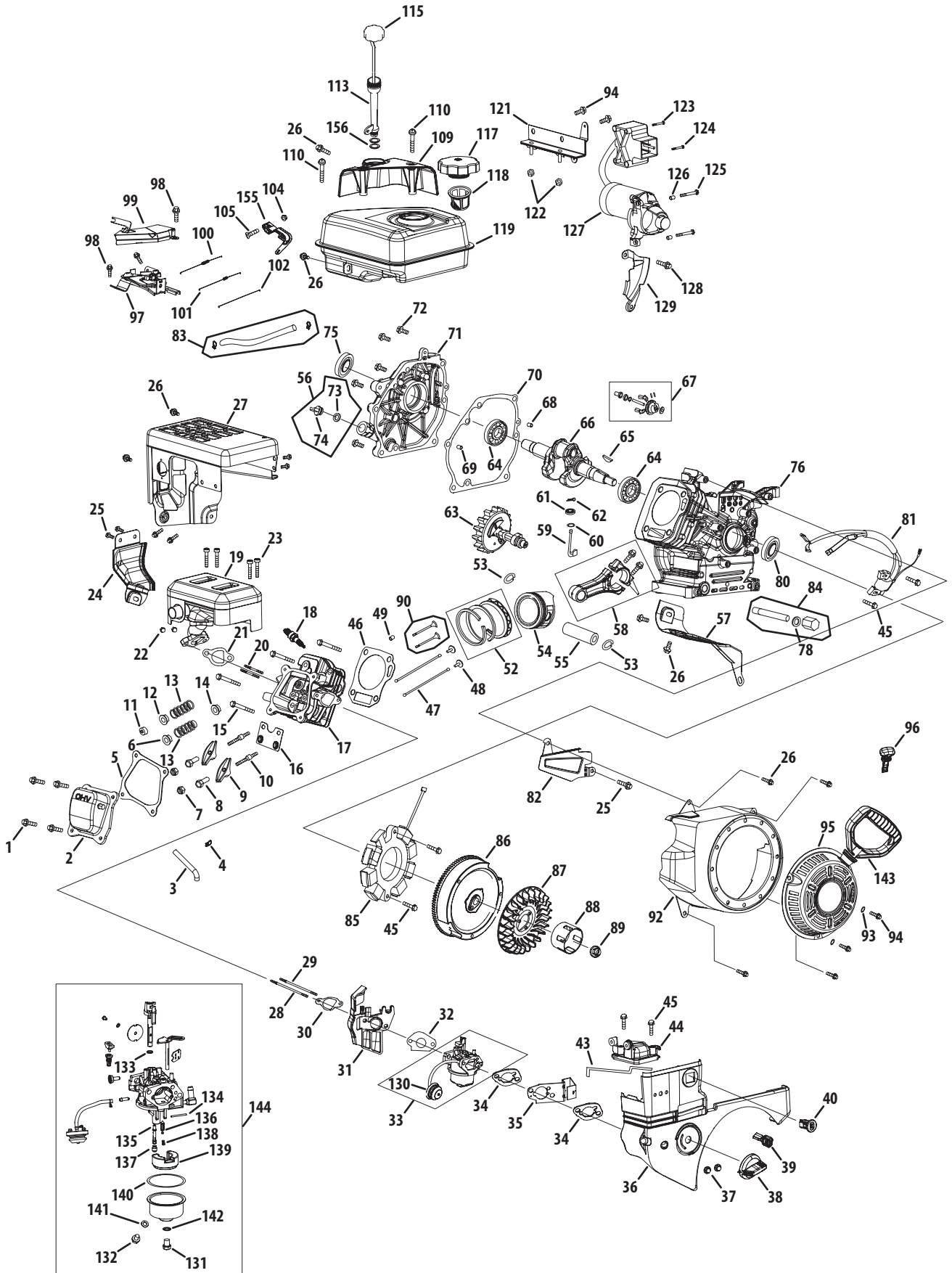
Ref. No.	Part No.	Description
—	951-11061A	Gasket Kit, Complete (Not Shown)
5	951-11565	Head Cover Gasket
21	951-11289	Muffler Gasket
30	951-11567	Carburetor Insulator Gasket
31	951-11896	Carburetor Insulator Plate
32	951-11569A	Carburetor Gasket
34	951-11897	Carburetor Gasket Plate
46	951-11898	Cylinder Head Gasket
60	736-04461	Washer
61	951-11902	Governor Seal
62	714-04074	Cotter Pin
70	951-11371	Crankcase Cover Gasket
75	951-11368	Oil Seal
78	736-04440	Washer
80	951-11370	Oil Seal
—	951-10722A	Cylinder Head Ass'y (Not Shown)
5	951-11565	Head Cover Gasket
6	951-12000	Intake Valve Spring Seat
7	751-11124	Pivot Locking Nut
8	751-11123	Valve Adjusting Nut
9	951-11893	Rocker Arm
10	710-04902	Pivot Bolt
11	951-12002	Exhaust Valve Adjuster
12	951-12003	Exhaust Valve Spring Seat
13	951-12004	Valve Spring
14	951-11894	Intake Valve Seal
16	951-11895	Push Rod Guide Plate
17	—	Cylinder Head - Complete
21	951-11289	Muffler Gasket
30	951-11567	Carburetor Insulator Gasket
31	951-11896	Carburetor Insulator Plate
46	951-11898	Cylinder Head Gasket
90	951-10647	Valve Kit
—	951-11248A	Crankcase Kit (Not Shown)
61	951-11902	Governor Seal
64	951-11369	Radial Ball Bearing
70	951-11371	Crankcase Cover Gasket
76	—	Crankcase
80	951-11370	Oil Seal

179 cc 165 SUB Engine

Ref. No.	Part No.	Description
—	951-11020	Carburetor Kit, Major (Not Shown)
133	—	Gasket, Throttle Plate
134	—	Float Pin
135	—	Emulsion Tube
136	—	Needle Valve
137	—	Main Jet
138	—	Needle Valve Spring
139	—	Float
140	951-11589	Fuel Bowl Gasket
141	951-11349	Fuel Drain Plug Gasket
142	951-11348	Fuel Bowl Gasket
—	951-10661B	Gasket Kit, External (Not Shown)
5	951-11565	Head Cover Gasket
21	951-11289	Muffler Gasket
30	951-11567	Carburetor Insulator Gasket
31	951-11896	Carburetor Insulator Plate
32	951-11569A	Carburetor Gasket
34	951-11897	Carburetor Gasket Plate
78	736-04440	Washer
—	951-11246	Crankcase Cover Kit (Not Shown)
64	951-11369	Radial Ball Bearing
70	951-11371	Crankcase Cover Gasket
71	—	Case Cover
72	710-04932	Cover Bolt
73	951-11577	O-Ring
74	—	Oil Fill Plug
75	951-11368	Oil Seal
—	951-11247A	Crankshaft Kit (Not Shown)
64	951-11369	Radial Ball Bearing
65	951-10307	Flywheel Key
66	—	Crankshaft Assembly
75	951-11368	Oil Seal
80	951-11370	Oil Seal
—	951-11063	Valve Cover Kit (Not Shown)
2	951-11054	Valve Cover
5	951-11565	Head Cover Gasket
—	951-11913	Oil Fill Tube Assembly
113	951-11913	Dipstick Tube
143	951-11903	O-Ring

Ref. No.	Part No.	Description
—	951-11062A	Short Block Assembly (Not Shown)
5	951-11565	Head Cover Gasket
21	951-11289	Muffler Gasket
30	951-11567	Carburetor Insulator Gasket
31	951-11896	Carburetor Insulator Plate
46	951-11898	Cylinder Head Gasket
48	951-11899	Tappet
49	715-04090	Dowel Pin
52	951-11553	Piston Ring Set
53	951-11632	Piston Pin Snap Ring
54	951-11900	Piston
55	951-11901	Piston Pin
58	951-11573	Connecting Rod Assembly
59	951-11356	Governor Arm Shaft
60	736-04461	Washer
61	951-11902	Governor Seal
62	714-04074	Cotter Pin
63	951-11575	Camshaft Assembly
64	951-11369	Radial Ball Bearing
65	951-10307	Flywheel Key
66	—	Crankshaft Assembly
67	951-11576	Governor Gear/Shaft Assembly
68	715-04092	Dowel Pin, 7 x 14
69	715-04096	Dowel Pin, 9 x 14
70	951-11371	Crankcase Cover Gasket
71	—	Cover Complete, Left Crankcase
72	710-04932	Cover Bolt
73	951-11577	O-Ring
74	—	Oil Fill Plug
75	951-11368	Oil Seal
76	—	Crankcase
77	951-11350	Oil Drain Pipe
78	736-04440	Washer
79	710-04906	Oil Drain Plug Washer
80	951-11370	Oil Seal
—	951-11912	Dipstick Assembly
115	951-11912	Dipstick
122	951-11934	O-Ring
145	951-10657	Muffler Stud Assembly
20	710-05001	Stud

179 cc 365-SUB Engine



179 cc 365-SUB Engine

Ref. No.	Part No.	Description
1	951-11012	Bolt
2	951-11054	Valve Cover
3	731-07059	Breather Hose
4	726-04101	Hose Clamp
7	751-11124	Pivot Locking Nut
8	751-11123	Valve Adjusting Nut
10	710-04902	Pivot Bolt
15	710-04933	Bolt
18	951-10292	Spark Plug
19	951-11282	Muffler Assembly
20	710-05001	Stud
21	951-11285	Muffler Gasket
22	712-04214	Nut
23	710-05002	Bolt
24	951-11111	Exhaust Pipe Shield
25	710-04940	Bolt
26	710-04915	Bolt
27	951-10642A	Muffler Shroud
28	710-04939	Stud, M6 x117
29	710-04910	Stud, M6 x 105
33	951-10974	Carburetor Assembly
35	951-11112	Choke Control Bracket
36	951-10634	Engine Shroud
37	712-04213	Nut
38	951-11284	Choke Knob
39	951-10757	Throttle Control Knob
40	951-10637	Ignition Switch
43	951-10640	Choke Push Rod
44	951-10635	Heater Box
45	710-04919	Bolt
47	951-10648	Push Rod Kit
49	715-04090	Dowel Pin
56	951-11283	Oil Fill Plug Assembly
57	951-11113	Air Shield
59	951-11356	Governor Arm Shaft
60	736-04461	Washer
62	714-04078	Cotter Pin
64	751-11369	Radial Ball Bearing
65	951-10307	Flywheel Key
68	715-04092	Dowel Pin, 7 x 14
69	715-04089	Dowel Pin, 9 x 14
70	951-11371	Crankcase Cover Gasket

Ref. No.	Part No.	Description
72	710-04932	Cover Bolt
75	951-11368	Oil Seal
78	736-04440	Washer
80	751-11370	Oil Seal
81	951-10646	Ignition Coil
82	951-11110	Air Flow Shield
83	951-10650	Fuel Line Kit
84	951-10641	Oil Drain Assembly, includes 78
85	951-10719	Stator
86	951-10805	Flywheel
87	951-10909	Cooling Fan
88	951-10911	Starter Cup
89	712-04209	Nut
90	951-10647	Valve Kit
92	951-10663A	Blower Housing
93	736-04455	Washer
94	710-04914	Bolt
95	951-10658	Recoil Starter Assembly
96	731-05632	Ignition Key
97	951-10758	Throttle Control Assembly
98	710-04928	Bolt
99	951-11108	Governor Shield
100	951-10654	Governor Spring
101	951-10664	Throttle Return Spring
102	951-10665	Governor Rod
104	712-04216	Nut
105	710-04929	Bolt
109	951-10662	Engine/Dipstick Cover
110	710-04905	Bolt
113	951-10656	Dipstick Tube
115	951-10655	Dipstick
117	951-10649	Fuel Cap Assembly
118	951-10652	Fuel Filter
119	951-10653A	Fuel Tank
121	951-11114	Switch Housing MTG Bracket
122	712-04212	Nut
123	710-04934	Bolt, M4 x 55
124	710-04935	Bolt, M4 x 60
125	710-04943	Bolt
126	715-04088	Dowel Pin
127	951-10645A	Electric Starter
128	710-05003	Bolt

179 cc 365-SUB Engine

Ref. No.	Part No.	Description
129	951-11109	Blower Housing Shield
130	951-10639	Primer
131	710-04945	Bolt
132	710-04938	Drain Bolt
143	731-05696	Starter Handle
155	951-11106	Governor Arm Bracket
156	951-11380	O-Ring
—	951-11176	Starter Pinion Shaft (Not Shown)
—	951-10651	Fuel Tank Nipple (Not Shown)
—	952Z365-SUB	Engine, Complete
20	951-10657	Muffler Stud Assembly
20	710-05001	Stud
56	951-11283	Oil Fill Plug Assembly
73	—	O-Ring
74	—	Oil Fill Plug
144	951-11020	Carburetor Kit, Major
133	—	Gasket, Throttle Plate
134	—	Float Pin
135	—	Emulsion Tube
136	—	Needle Valve
137	—	Main Jet
138	—	Needle Valve Spring
139	—	Float
140	—	Fuel Bowl Gasket
141	—	Fuel Drain Plug Gasket
142	—	Fuel Bowl Gasket
—	951-11061A	Gasket Kit, Complete
5	—	Head Cover Gasket
21	951-11285	Muffler Gasket
30	—	Carburetor Insulator Gasket
31	—	Carburetor Insulator Plate
32	—	Carburetor Gasket
34	—	Carburetor Gasket Plate
46	—	Cylinder Head Gasket
60	736-04461	Washer
61	—	Governor Seal
62	714-04078	Cotter Pin
70	951-11371	Crankcase Cover Gasket
75	951-11368	Oil Seal
78	736-04440	Washer
80	951-11370	Oil Seal

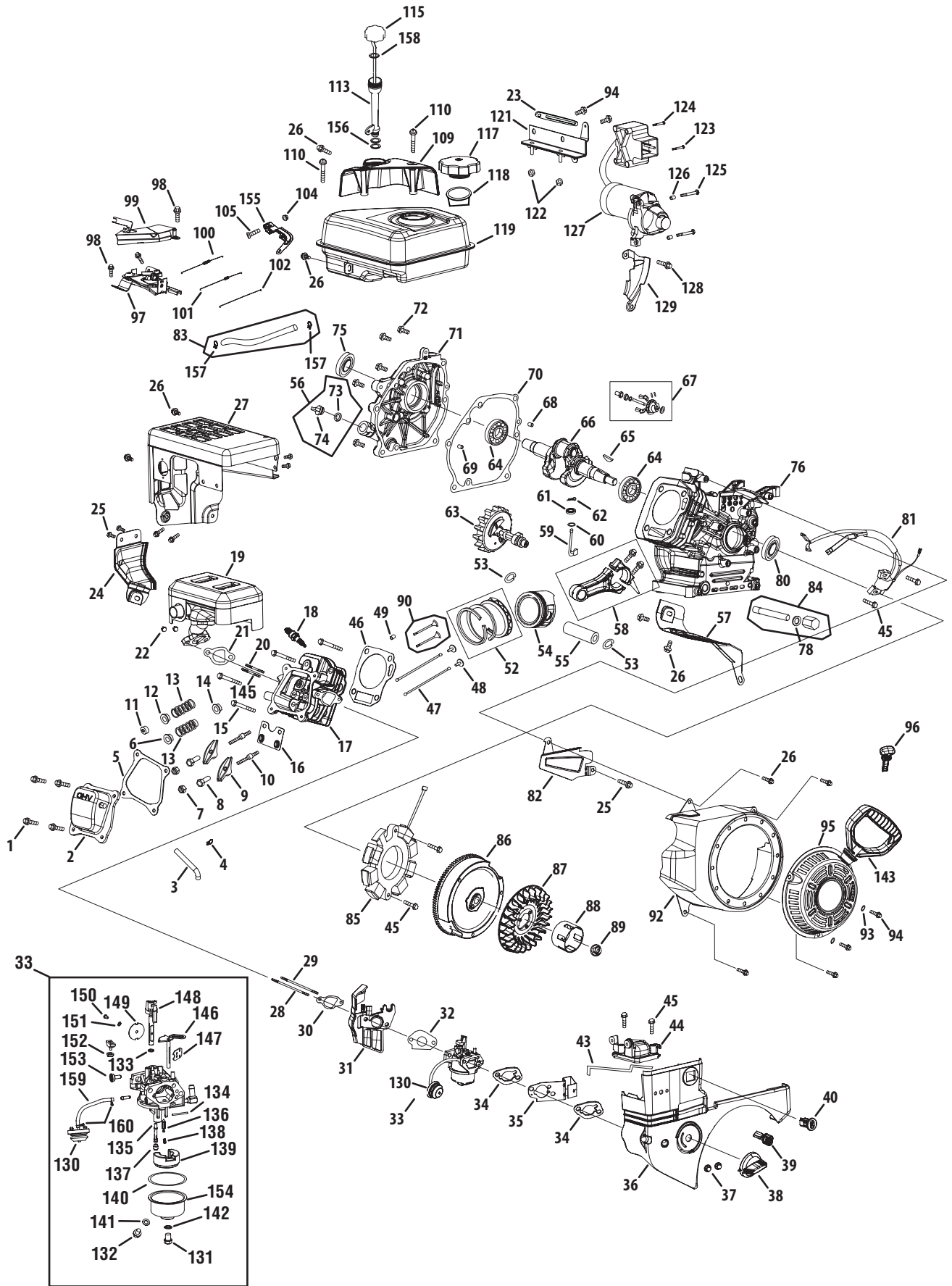
Ref. No.	Part No.	Description
—	951-11062A	Short Block Assembly
5	—	Head Cover Gasket
21	951-11285	Muffler Gasket
30	—	Carburetor Insulator Gasket
31	—	Carburetor Insulator Plate
46	—	Cylinder Head Gasket
48	—	Tappet
49	715-04090	Dowel Pin
52	—	Piston Ring Set
53	—	Piston Pin Snap Ring
54	—	Piston
55	—	Piston Pin
58	—	Connecting Rod Assembly
59	951-11356	Governor Arm Shaft
60	736-04461	Washer
61	—	Governor Seal
62	714-04078	Cotter Pin
63	—	Camshaft Assembly
64	951-11369	Radial Ball Bearing
65	951-10307	Flywheel Key
66	—	Crankshaft Assembly
67	—	Governor Gear/Shaft Assembly
68	715-04092	Dowel Pin
69	715-04089	Dowel Pin
70	951-11371	Crankcase Cover Gasket
71	—	Cover Complete, Left Crankcase
72	710-04932	Bolt
73	—	Oil Filler Plug
74	—	O-Ring
75	951-11368	Oil Seal
76	—	Crankcase
77	—	Oil Drain Pipe
78	736-04440	Washer
79	—	Oil Drain Plug Washer
80	951-11370	Oil Seal
—	951-11248	Crankcase Kit
61	—	Governor Seal
64	951-11369	Radial Ball Bearing
70	951-11371	Crankcase Cover Gasket
76	—	Crankcase
80	951-11370	Oil Seal

179 cc 365-SUB Engine

Ref. No.	Part No.	Description
—	951-11246	Crankcase Cover Kit
64	951-11369	Radial Ball Bearing
70	951-11371	Case Cover Gasket
71	—	Case Cover
72	710-04932	Cover Bolt
73	—	O-Ring
74	—	Oil Fill Plug
75	951-11368	Oil Seal
—	951-10661B	Gasket Kit, External
5	—	Head Cover Gasket
21	951-11285	Muffler Gasket
30	—	Carburetor Insulator Gasket
31	—	Carburetor Insulator Plate
32	—	Carburetor Gasket
34	—	Carburetor Gasket Plate
78	736-04440	Washer
—	951-11247	Crankshaft Kit
64	951-11369	Radial Ball Bearing
65	951-10307	Flywheel Key
66	—	Crankshaft
75	951-11368	Oil Seal
80	951-11370	Oil Seal

Ref. No.	Part No.	Description
—	951-10722A	Cylinder Head Assembly
5	—	Head Cover Gasket
6	—	Intake Valve Spring Seat
7	751-11124	Pivot Locking Nut
8	751-11123	Valve Adjusting Nut
9	—	Rocker Arm
10	710-04902	Pivot Bolt
11	—	Exhaust Valve Adjuster
12	—	Exhaust Valve Spring Seat
13	—	Valve Spring
14	—	Intake Valve Seal
16	—	Push Rod Guide Plate
17	—	Cylinder Head - Complete
21	951-11285	Muffler Gasket
30	—	Carburetor Insulator Gasket
31	—	Carburetor Insulator Plate
46	—	Cylinder Head Gasket
90	951-10647	Valve Kit
33	951-10974	Carburetor Assembly
130	951-10639	Primer
—	951-11063	Valve Cover Kit (Not Shown)
2	951-11054	Valve Cover
5	—	Head Cover Gasket

208 cc 370-SUB Engine



Ref. No.	Part No.	Description
1	710-04968	Bolt
2	951-11054	Valve Cover
3	731-07059	Breather Hose
4	726-04101	Hose Clamp
7	751-11124	Pivot Locking Nut
8	751-11123	Valve Adjusting Nut
10	710-04902	Pivot Bolt
15	710-04933	Bolt
18	951-10292	Spark Plug
19	951-11282	Muffler Assembly
20	710-05001	Stud
21	951-11289	Muffler Gasket
22	712-04214	Nut
23	951-11680	Wire Clip
24	951-11111	Exhaust Pipe Shield
25	710-04940	Bolt
26	710-04915	Bolt
27	951-10642A	Muffler Shroud
28	710-04939	Stud, M6 x117
29	710-04910	Stud, M6 x 105
33	951-10638A	Carburetor Assembly
35	951-11112	Choke Control Bracket
36	951-10634	Engine Shroud
37	712-04213	Nut
38	951-11284	Choke Knob
39	951-10757	Throttle Control Knob
40	951-10637	Ignition Switch
43	951-10640	Choke Push Rod
44	951-10635	Heater Box
45	710-04919	Bolt
47	951-10648	Push Rod Kit
49	715-04090	Dowel Pin
56	951-11283	Oil Fill Plug Assembly
57	951-11113	Air Shield
59	951-11356	Governor Arm Shaft
60	736-04461	Washer
62	714-04074	Cotter Pin
64	951-11369	Radial Ball Bearing
65	951-10307	Flywheel Key
68	715-04092	Dowel Pin, 7 x 14
69	715-04096	Dowel Pin, 9 x 14
70	951-11371	Crankcase Cover Gasket

Ref. No.	Part No.	Description
72	710-04932	Bolt
75	951-11368	Oil Seal
78	736-04440	Washer
80	951-11370	Oil Seal
81	951-10646	Ignition Coil
82	951-11110	Air Flow Shield
83	951-10650	Fuel Line Kit
84	951-10641	Oil Drain Assembly
85	951-12050	Stator
86	951-12051	Flywheel
87	951-10934	Cooling Fan
88	951-10911	Starter Cup
89	712-04209	Nut
90	951-10647	Valve Kit
92	951-11509	Blower Housing
93	736-04455	Washer
94	710-04914	Bolt
95	951-10658	Recoil Starter Assembly
96	731-05632	Key
97	951-10758	Throttle Control Assembly
98	710-05103	Bolt
99	951-11108	Governor Shield
100	951-11935	Governor Spring
101	951-10664	Throttle Return Spring
102	951-10665	Governor Rod
104	712-04212	Nut
105	710-04908	Bolt
109	951-10662	Engine/Dipstick Cover
110	710-04905	Bolt
113	951-11913	Dipstick Tube
115	951-11912	Dipstick
117	951-10649	Fuel Cap Assembly
118	951-11933	Fuel Level Indicator
119	951-10653B	Fuel Tank
121	951-11114	Switch Housing Mounting Bracket
122	712-04212	Nut
123	710-04965	Bolt, M4 x 55
124	710-04935	Bolt, M4 x 60
125	710-05182	Bolt
126	715-04088	Dowel Pin
127	951-10645A	Electric Starter
128	710-04979	Bolt

208 cc 370-SUB Engine

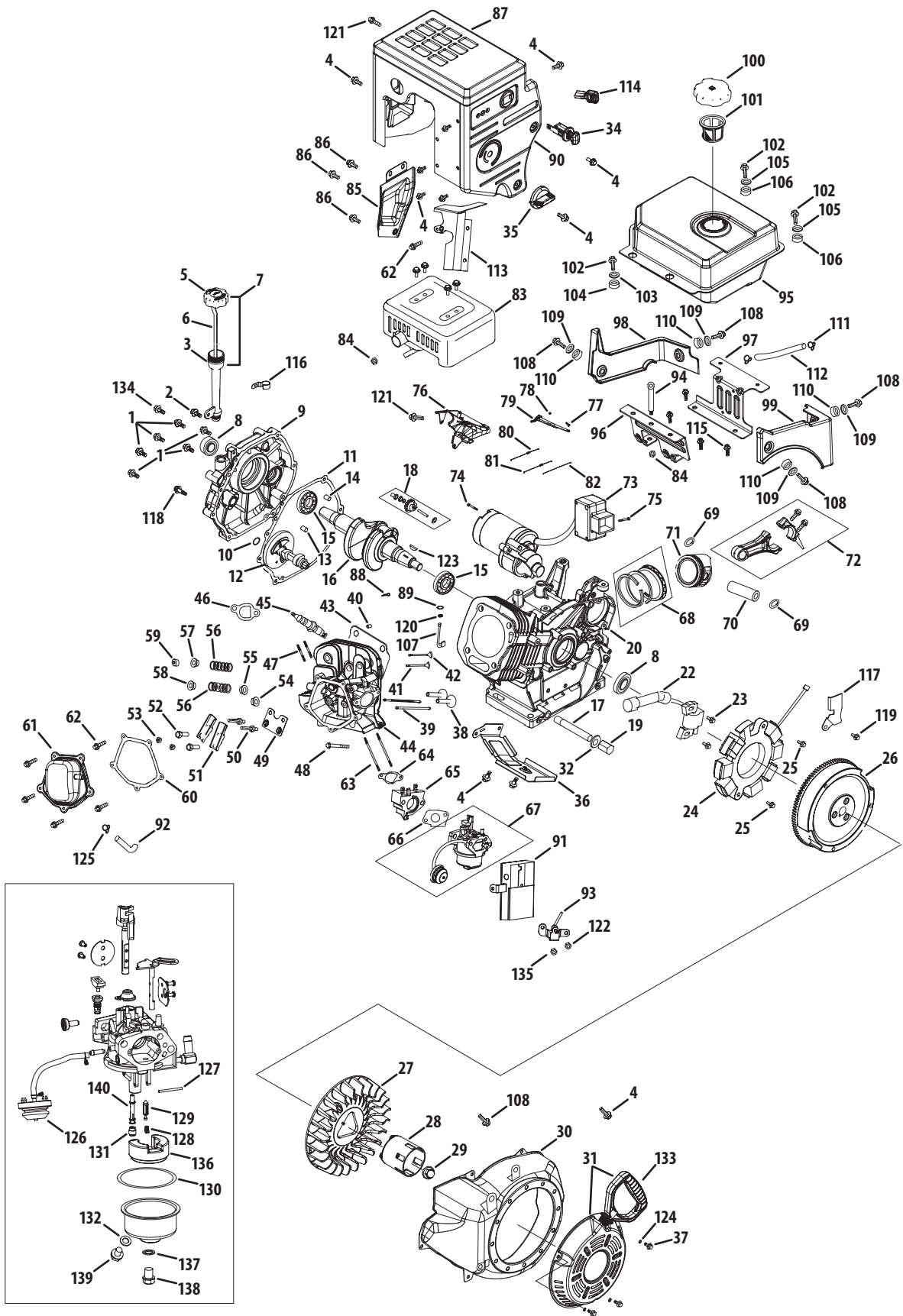
Ref. No.	Part No.	Description
129	951-11109	Blower Housing Shield
130	951-10639A	Primer (includes primer bulb)
—	951-11824	Primer Bulb
131	710-04945	Bolt
132	710-04938	Drain Bolt
143	731-05696	Starter Handle
155	951-11106	Governor Arm Bracket
156	951-11903	O-Ring
157	951-11731	Hose Clamp
158	951-11934	O-Ring
—	951-10651	Fuel Tank Nipple (Not Shown)
—	952Z370-SUB-10	Engine, Complete
145	951-10657	Muffler Stud Assembly
20	710-05001	Stud
33	951-10638A	Carburetor Assembly
130	951-10639A	Primer
131	710-04945	Bolt
132	710-04938	Drain Bolt
133	—	Gasket, Throttle Plate
134	—	Float Pin
135	—	Emulsion Tube
136	—	Needle Valve
137	—	Main Jet
138	—	Needle Valve Spring
139	—	Float
140	951-11589	Fuel Bowl Gasket
141	951-11349	Fuel Drain Plug Gasket
142	951-11348	Fuel Bowl Gasket
146	—	Choke Shaft
147	—	Choke Plate
148	—	Throttle Shaft
149	—	Throttle Plate
150	—	Screw, M3x5
151	—	Lock Washer
152	—	Idle Jet Assembly
153	—	Idle Speed Adjusting Screw
154	—	Fuel Bowl
159	951-11905	Primer Hose
160	951-11906	Hose Clamp

Ref. No.	Part No.	Description
—	951-11249	Crankcase Kit
61	951-11902	Governor Seal
64	951-11369	Radial Ball Bearing
70	951-11371	Crankcase Gasket
76	—	Crankcase
80	951-11370	Oil Seal
—	951-11060A	Short Block Assembly
5	951-11565	Head Cover Gasket
21	951-11289	Muffler Gasket
30	951-11567	Carburetor Insulator Gasket
31	951-11896	Carburetor Insulator Plate
46	951-11572	Cylinder Head Gasket
48	951-11899	Tappet
49	715-04090	Dowel Pin
52	951-11253	Piston Ring Set
53	951-11632	Piston Pin Snap Ring
54	951-12053	Piston
55	951-11633	Piston Pin
58	951-11573	Connecting Rod Assembly
59	951-11356	Governor Arm Shaft
60	736-04461	Washer
61	951-11902	Governor Seal
62	714-04074	Cotter Pin
63	951-11575	Camshaft Assembly
64	951-11369	Radial Ball Bearing
65	951-10307	Flywheel Key
66	—	Crankshaft Assembly
67	951-11576	Governor Gear/Shaft Assembly
68	715-04092	Dowel Pin, 7 x 14
69	715-04096	Dowel Pin, 9 x 14
70	951-11371	Crankcase Cover Gasket
71	—	Case Cover
72	710-04932	Bolt
73	951-11577	O-Ring
74	—	Oil Fill Plug
75	951-11368	Oil Seal
76	—	Crankcase
77	951-11350	Oil Drain Pipe
78	736-04440	Washer
79	710-04906	Oil Drain Plug Washer
80	951-11370	Oil Seal

Ref. No.	Part No.	Description
—	951-10668A	Cylinder Head Assembly
5	951-11565	Head Cover Gasket
6	951-12000	Intake Valve Spring Seat
7	751-11124	Pivot Locking Nut
8	751-11123	Valve Adjusting Nut
9	951-11893	Rocker Arm
10	710-04902	Pivot Bolt
11	951-12002	Exhaust Valve Adjuster
12	951-12003	Exhaust Valve Spring Seat
13	951-12004	Valve Spring
14	951-11894	Intake Valve Seal
16	951-11895	Push Rod Guide Plate
17	—	Cylinder Head - Complete
21	951-11289	Muffler Gasket
30	951-11567	Carburetor Insulator Gasket
31	951-11896	Carburetor Insulator Plate
46	951-11572	Cylinder Head Gasket
90	951-10647	Valve Kit
—	951-11063	Valve Cover Kit
2	951-11054	Valve Cover
5	951-11565	Head Cover Gasket
56	951-11283	Oil Fill Plug Assembly
73	951-11577	O-Ring
74	—	Oil Filler Plug
144	951-11021	Carburetor Kit, Major
133	—	Gasket, Throttle Plate
134	—	Float Pin
135	—	Emulsion Tube
136	—	Needle Valve
137	—	Main Jet
138	—	Needle Valve Spring
139	—	Float
140	951-11589	Fuel Bowl Gasket
141	951-11349	Fuel Drain Plug Gasket
142	951-11348	Fuel Bowl Gasket
—	951-11247A	Crankshaft Kit
64	951-11369	Radial Ball Bearing
65	951-10307	Flywheel Key
66	—	Crankshaft
75	951-11368	Oil Seal
80	951-11370	Oil Seal

Ref. No.	Part No.	Description
—	951-11059A	Gasket Kit, Complete
5	951-11565	Head Cover Gasket
21	951-11289	Muffler Gasket
30	951-11567	Carburetor Insulator Gasket
31	951-11896	Carburetor Insulator Plate
32	951-12005	Carburetor Gasket
34	951-11897	Carburetor Gasket Plate
46	951-11572	Cylinder Head Gasket
60	736-04461	Washer
61	951-11902	Governor Seal
62	714-04074	Cotter Pin
70	951-11371	Crankcase Cover Gasket
75	951-11368	Oil Seal
78	736-04440	Washer
80	951-11370	Oil Seal
—	951-11246	Crankcase Cover Kit
64	951-11369	Radial Ball Bearing
70	951-11371	Crankcase Cover Gasket
71	—	Case Cover
72	710-04932	Cover Bolts
73	951-11577	O-Ring
74	—	Oil Fill Plug
75	951-11368	Oil Seal
—	951-10661B	Gasket Kit, External
5	951-11565	Head Cover Gasket
21	951-11289	Muffler Gasket
30	951-11567	Carburetor Insulator Gasket
31	951-11896	Carburetor Insulator Plate
32	951-12005	Carburetor Gasket
34	951-11897	Carburetor Gasket Plate
78	736-04440	Washer

277cc 478-SU Engine



Ref. No.	Part No.	Description	Ref. No.	Part No.	Description
1	710-04971	Flange Bolt	73	951-11196	Electric Starter
2	710-04968	Flange Bolt	74	710-04967	Flange Bolt
3	951-11206	Dipstick Tube	75	710-04965	Screw
4	710-04915	Flange Bolt	76	951-11213	Throttle Control Assembly
8	951-11372	Crankshaft Oil Seal	77	710-04908	Bolt
11	951-11374	Crankcase Cover Gasket	78	712-04211	Nut
13	715-04102	Dowel Pin	79	951-11231	Governor Arm Bracket
14	715-04096	Dowel Pin	80	951-11202	Governor Spring
15	951-11373	Ball Bearing	81	951-11203	Throttle Return Spring
22	951-11197	Ignition Coil	82	951-11204	Governor Rod
23	710-04920	Flange Bolt	83	951-11195	Muffler Assembly
24	951-11216	Stator	84	712-04219	Nut
25	710-04969	Flange Bolt	85	951-11181	Muffler Baffle
26	951-11214	Flywheel	86	710-04914	Flange Bolt
27	951-11217	Cooling Fan	87	951-11194	Muffler Shield
28	951-11218	Starter Cup	88	714-04077	Governor Shaft Clip
29	712-04220	Flange Nut	89	736-04453	Washer
30	951-11379	Blower Housing	91	951-11190	Heater Box
31	951-11208	Recoil Starter Assembly	92	951-11221	Breather Hose
32	736-04440	Oil Drain Washer	93	951-11192	Choke Assembly
34	951-10637	Ignition Switch	95	951-11201	Fuel Tank
35	951-11191	Choke Knob	96	951-11182	Fuel Tank Mounting Bracket
36	951-11180	Cylinder Baffle	97	951-11183	Fuel Tank Mounting Bracket
37	710-04974	Flange Bolt	98	951-11184	Fuel Tank Shroud
39	951-11199	Push Rod Kit	99	951-11419	Engine Shroud
40	715-04097	Dowel Pin	100	951-10649	Fuel Cap Assembly
45	951-10292	Spark Plug	101	951-10652	Fuel Filter
46	951-11212	Muffler Gasket	102	710-04970	Flange Bolt
47	951-11207	Muffler Stud Assembly	103	736-04451	Washer
47	710-04964	Exhaust Stud	104	750-05313	Bushing
48	710-04973	Flange Bolt	105	736-04450	Washer
50	710-04962	Rocker Stud Bolt	106	750-05312	Bushing
52	751-11123	Valve Adjusting Nut	108	710-11012	Flange Bolt
53	751-11124	Pivot Locking Nut	109	736-04452	Washer
61	951-11220	Valve Cover	110	750-05314	Bushing
62	710-05054	Bolt	113	951-11227	Carburetor Heat Shield
63	710-04963	Carburetor Stud	114	951-11224	Throttle Knob
64	951-11225	Intake Gasket	115	710-04921	Flange Bolt
65	951-11222	Carburetor Insulator	116	951-11185	Oil Tube Support Bracket
66	951-11223	Carburetor Gasket	117	951-11186	Alternator Wire Clamp Bracket
67	951-11193	Carburetor Assembly	118	710-04972	Flange Bolt

277cc 478-SU Engine

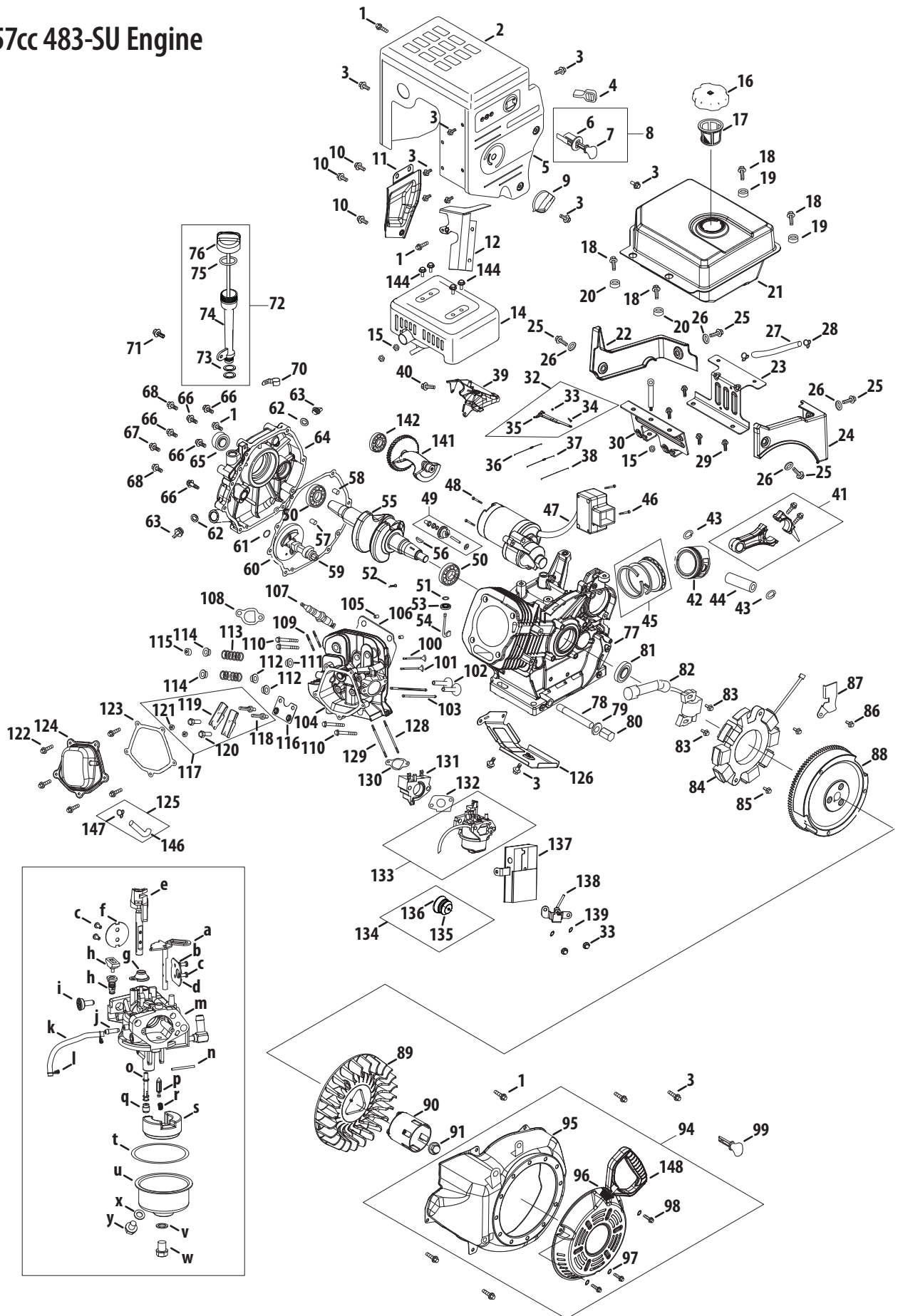
Ref. No.	Part No.	Description
119	710-04966	Flange Bolt
121	710-04916	Flange Bolt
122	712-04211	Nut
123	951-10307	Flywheel Key
124	736-04455	Flat Washer
125	726-04101	Breather Hose Clip
126	951-10639	Primer
132	751-11349	Fuel Drain Plug Gasket
133	731-05696	Starter Handle
134	710-05052	Bolt
135	736-04477	Nut
137	751-11348	Fuel Bowl Gasket
138	710-04945	Fuel Drain Bolt
139	710-04903	Fuel Drain Plug
—	951-10651	Fuel Tank Nipple (Not Shown)
—	731-05632	Key (Not Shown)
—	951-11228	Crankcase Cover Kit
1	710-04971	Flange Bolt
8	951-11372	Crankshaft Oil Seal
9	—	Crankcase Cover
10	—	Flat Washer
11	951-11374	Crankcase Cover Gasket
15	951-11373	Ball Bearing
118	710-04972	Flange Bolt
—	951-11229	Crankshaft Kit
8	951-11372	Crankshaft Oil Seal
15	951-11373	Ball Bearing
16	—	Crankshaft Assembly
123	951-10307	Flywheel Key
—	951-11230	Crankcase Kit
8	951-11372	Crankshaft Oil Seal
15	951-11373	Ball Bearing
20	—	Crankcase
120	—	Governor Shaft Seal

Ref. No.	Part No.	Description
—	951-11219	Carburetor Kit
127	—	Float Pin
128	—	Needle Valve Spring
129	—	Needle Valve
130	—	Bowl gasket
131	—	Main Jet
132	751-11349	Fuel Drain Plug Gasket
136	—	Carburetor Float
140	—	Main Nozzle
—	951-11209	Gasket Kit, Complete
8	951-11372	Crankshaft Oil Seal
11	951-11374	Crankcase Cover Gasket
32	736-04440	Oil Drain Washer
43	—	Head Gasket
46	951-11212	Muffler Gasket
60	—	Valve Cover Gasket
64	951-11225	Intake Gasket
65	951-11222	Carburetor Insulator
66	951-11223	Carburetor Gasket
120	—	Governor Shaft Seal
—	951-11210	Gasket Kit, External
11	951-11374	Crankcase Cover Gasket
32	736-04440	Oil Drain Washer
60	—	Valve Cover Gasket
64	951-11225	Intake Gasket
65	951-11222	Carburetor Insulator
66	951-11223	Carburetor Gasket
—	951-11226	Cylinder Head Kit
43	—	Head Gasket
48	710-04973	Flange Bolt
54	—	Intake Valve Seal
60	—	Valve Cover Gasket
7	951-11205	Dipstick Assembly
5	—	Oil Cap
6	—	Dipstick

Ref. No.	Part No.	Description
—	951-11200	Fuel Line Kit
111	—	Fuel Hose Clamp
112	—	Fuel Hose
—	951-11198	Valve Kit
41	—	Intake Valve
42	—	Exhaust Valve
—	951-10641	Oil Drain Assembly
17	—	Extended Oil Drain Tube
19	—	Extended Oil Drain Plug
32	736-04440	Oil Drain Washer
—	951-11188	Cylinder Head Assembly
41	—	Intake Valve
42	—	Exhaust Valve
43	—	Head Gasket
44	—	Cylinder Head
46	951-11212	Muffler Gasket
47	710-04964	Exhaust Stud
48	710-04973	Flange Bolt
49	—	Pushrod Guide Plate
50	710-04962	Rocker Stud Bolt
51	—	Rocker Arm
52	751-11123	Valve Adjusting Nut
53	751-11124	Pivot Locking Nut
54	—	Intake Valve Seal
55	—	Exhaust Valve Spring Support
56	—	Valve Spring
57	—	Exhaust Spring Retainer
58	—	Intake Spring Retainer
59	—	Exhaust Valve Cap
60	—	Valve Cover Gasket
63	710-04963	Carburetor Stud
64	951-11225	Intake Gasket
65	951-11222	Carburetor Insulator

Ref. No.	Part No.	Description
—	951-11187	Short Block Assembly
1	710-04971	Flange Bolt
2	710-04968	Flange Bolt
8	951-11372	Crankshaft Oil Seal
9	—	Crankcase Cover
10	—	Flat Washer
11	951-11374	Crankcase Cover Gasket
12	—	Camshaft Assembly
13	715-04102	Dowel Pin
14	715-04096	Dowel Pin
15	951-11373	Ball Bearing
16	—	Crankshaft Assembly
17	—	Oil Drain Bolt
18	—	Governor Gear Assembly
19	—	Extended Oil Drain Plug
20	—	Crankcase
32	736-04440	Oil Drain Washer
38	—	Tappet
40	715-04097	Dowel Pin
43	—	Head Gasket
46	951-11212	Muffler Gasket
48	710-04973	Flange Bolt
60	—	Valve Cover Gasket
64	951-11225	Intake Gasket
65	951-11222	Carburetor Insulator
68	—	Piston Ring Set
69	—	Piston Pin Clip
70	—	Piston Pin
71	—	Piston
72	—	Conrod Assembly
88	714-04077	Governor Shaft Clip
89	736-04453	Flat Washer
107	—	Governor Shaft
118	710-04972	Flange Bolt
120	—	Governor Shaft Seal
123	951-10307	Flywheel Key

357cc 483-SU Engine



357cc 483-SU Engine

Ref.	Part Number	Description	Ref.	Part Number	Description
1	710-11012	Bolt, M6 x 16	45	951-11955	Piston Ring Set
2	951-11339	Muffler Shield	46	710-04965	Bolt, M4 x 55
3	710-04915	Bolt, M6 x 12	47	951-11196	Startup Electromotor
4	951-10757	Throttle Control Knob	48	710-04967	Bolt, M8 x 55
5	951-11595	Control Panel	49	951-11956	Governor Gear/Shaft Ass'y
7	731-05632	Key	50	951-11957	Radial Ball Bearing
8	951-10637	Key Switch Ass'y	51	736-04453	Washer
9	951-11302	Choke Knob	52	714-04077	Cotter Pin
10	710-04914	Bolt, Flange, M6 x 10	53	951-11958	Governor Seal
11	951-11181	Muffler Baffle	54	951-11365	Governor Arm Shaft
12	951-11321	Carb Isolator Bracket	56	951-10307	Woodruff Key
14	951-11338	Muffler Ass'y	57	715-04102	Dowel Pin, 9 x 12
15	712-04219	Nut, M8 - 1.25	58	715-04092	Dowel Pin, 7 x 14
16	951-10649	Fuel Cap Ass'y	59	951-11959	Camshaft Ass'y
17	951-11933	Fuel Level Indicator	60	951-11376	Crankcase Cover Gasket
18	710-04970	Flange Bolt, M8 x 20	61	736-04476	Washer
19	750-05312	Bushing, Gas Tank	62	951-11960	O-Ring
20	750-05313	Bushing, Gas Tank	65	951-11375	Oil Seal
21	951-11201	Fuel Tank Ass'y	66	710-04971	Bolt, M8 x 38
22	951-11319	Fuel Tank Shroud	67	710-04972	Bolt, M8 x 45
23	951-11318	Rear Mounting Bracket Ass'y	68	710-05052	Bolt, M8 x 35
24	951-11351	Engine Shroud	70	951-11320	Dipstick Clamp
25	951-11012	Bolt, M6 x 16	71	710-04966	Bolt, M6 x 8
26	736-04452	Bush - Washer	73	951-11903	Oil Fill Tube O-Ring
28	951-11731	Fuel Line Clamp	75	951-11904	Dipstick O-Ring
29	710-04921	Bolt, M8 x 14	78	951-11350	Oil Drain Pipe Ass'y
30	951-11182	Fuel Tank Mounting Bracket	79	736-04440	Oil Drain Washer
33	712-04212	Nut, M6	80	710-04906	Oil Drain Plug
34	710-04908	Governor Arm Bolt	81	951-11499	Oil Seal
35	951-11307	Governor Arm	82	951-11305	Ignition Coil Ass'y
36	951-11306	Governor Spring	83	710-04920	Ignition Coil Bolt
37	951-11203	Throttle Linkage Spring	84	951-11961	Coil Assy. Charge
38	951-11309	Throttle Linkage	85	710-04969	Bolt, M6 x 30
39	951-11311	Primer Bracket	86	710-04966	Bolt, M6 x 8
40	710-04916	Bolt, Flange, M6 x 14	87	951-11186	Alternator Wire Clamp Bracket
41	951-11951	Connecting Rod Ass'y	88	951-11312	Flywheel
42	951-11952	Piston	89	951-11313	Fan, Cooling
43	951-11953	Piston Pin Snap Ring	90	951-11314	Starter Cup
44	951-11954	Piston Pin	91	712-04220	Nut, Special, M16 x 1.5

357cc 483-SU Engine

Ref.	Part Number	Description
95	951-11211	Blower Housing
96	951-11310	Recoil Starter
97	736-04455	Gasket
98	710-04974	Bolt, M6 x 10
99	731-05632	Key
102	951-11962	Tappet
103	951-11335	Push Rod (2X)
105	715-04097	Dowel Pin, 12 x 20
106	951-11963	Gasket, Cylinder Head
107	951-10292	Spark Plug/F6rtc
108	951-11212	Exhaust Pipe Gasket
109	710-04964	Stud, M8 x 48.5
110	710-05053	Bolt, M10 x 1.25 x 87
111	751-11964	Intake Valve Seal
116	951-11965	Push Rod Guide
117	951-11981	Rocker Arm Ass'y
118	710-04962	Bolt, Pivot
119	951-11966	Rocker Arm
120	751-11123	Adjusting Nut, Valve
121	751-11124	Nut, Pivot Locking
122	710-05054	Valve Cover Bolt
123	951-11967	Valve Cover Gasket
124	951-11220	Valve Cover
126	951-11317	Cylinder Baffle
128	710-05055	Stud, M6 x 8 x 98
129	710-05056	Stud, M6 x 8 x 118
130	951-11315	Carburetor Insulator Gasket
131	951-11316	Carburetor Insulator Plate
132	951-11223	Carburetor Gasket
133	951-11303A	Carburetor Ass'y
134	951-10639A	Primer Ass'y
135	951-11824	Primer Bulb
137	951-11304	Heater Box
138	951-11192	Choke Control
139	736-04477	Lock Washer
141	951-11968	Camshaft Gear Ass'y
142	951-11969	Bearing
144	710-05051	Bolt
146	951-11221	Breather Hose

Ref.	Part Number	Description
147	726-04101	Clamp
148	731-05696	Starter Handle
k	751-11991	Primer Hose
t	951-11970	Bowl Gasket
v	951-11348	Main Bowl Bolt Gasket
w	710-04945	Fuel Bowl Mounting Bolt
x	951-11349	Fuel Drain Plug Gasket
y	710-04903	Fuel Drain Plug
—	951-10651	Fuel Tank Nipple (Not Shown)
—	952Z483-SU-10	Replacement Engine
—	951-11207	Muffler Stud Ass'y
109	710-04964	Muffler Stud
—	951-11329A	Cylinder Head Ass'y
100	—	Exhaust Valve
101	—	Intake Valve
104	—	Cylinder Head
106	951-11963	Gasket, Cylinder Head
108	951-11212	Exhaust Pipe Gasket
109	710-04964	Stud, M8 x 48.5
110	710-05053	Bolt, M10 x 1.25 x 87
111	751-11964	Intake Valve Seal
112	—	Intake Valve Seal
113	—	Valve Spring
114	—	Valve Spring Retainers - Exhaust
115	—	Exhaust Valve Adjuster
116	951-11965	Push Rod Guide
118	710-04962	Bolt, Pivot
119	951-11966	Rocker Arm
120	751-11123	Adjusting Nut, Valve
121	751-11124	Nut, Pivot Locking
123	951-11967	Valve Cover Gasket
128	710-05055	Stud, M6 x 8 x 98
129	710-05056	Stud, M6 x 8 x 118
130	951-11315	Carburetor Insulator Gasket
131	951-11316	Carburetor Insulator Plate
—	951-10641	Oil Drain Ass'y
78	951-11350	Oil Drain Pipe Ass'y
79	736-04440	Oil Drain Washer
80	710-04906	Oil Drain Plug

Ref.	Part Number	Description
—	951-11328A	Short Block Ass'y
41	951-11951	Connecting Rod Ass'y
42	951-11952	Piston
43	951-11953	Piston Pin Snap Ring
44	951-11954	Piston Pin
45	951-11955	Piston Ring Set
49	951-11956	Governor Gear/Shaft Ass'y
50	951-11957	Radial Ball Bearing
51	736-04453	Washer
52	714-04077	Cotter Pin
53	951-11958	Governor Seal
54	951-11365	Governor Arm Shaft
55	—	Crankshaft Ass'y
56	951-10307	Woodruff Key
57	715-04102	Dowel Pin, 9 x 12
58	715-04092	Dowel Pin, 7 x 14
59	951-11959	Camshaft Ass'y
60	951-11376	Crankcase Cover Gasket
61	736-04476	Washer
63	—	Oil Drain Plug Ass'y
64	—	Crankcase Cover
65	951-11375	Oil Seal
66	710-04971	Bolt, M8 x 38
67	710-04972	Bolt, M8 x 45
68	710-05052	Bolt, M8 x 35
77	—	Crankcase Complete
78	951-11350	Oil Drain Pipe Ass'y
79	736-04440	Oil Drain Washer
81	951-11499	Oil Seal
102	951-11962	Tappet
105	715-04097	Dowel Pin, 12 x 20
106	951-11963	Gasket, Cylinder Head
108	951-11212	Exhaust Pipe Gasket
110	710-05053	Bolt, M10 x 1.25 x 87
123	951-11967	Valve Cover Gasket
130	951-11315	Carburetor Insulator Gasket
131	951-11316	Carburetor Insulator Plate
141	951-11968	Camshaft Gear Ass'y
142	951-11969	Bearing

Ref.	Part Number	Description
—	951-11330A	Gasket Kit - Complete
53	951-11958	Governor Seal
60	951-11376	Crankcase Cover Gasket
65	951-11375	Oil Seal
79	736-04440	Oil Drain Washer
81	951-11499	Oil Seal
106	951-11963	Gasket, Cylinder Head
108	951-11212	Exhaust Pipe Gasket
123	951-11967	Valve Cover Gasket
130	951-11315	Carburetor Insulator Gasket
131	951-11316	Carburetor Insulator Plate
132	951-11223	Carburetor Gasket
—	951-11333	Valve Cover Kit
123	951-11967	Valve Cover Gasket
124	951-11220	Valve Cover
—	951-11331	Gasket Kit - External
79	736-04440	Oil Drain Washer
108	951-11212	Exhaust Pipe Gasket
123	951-11967	Valve Cover Gasket
130	951-11315	Carburetor Insulator Gasket
131	951-11316	Carburetor Insulator Plate
132	951-11223	Carburetor Gasket
—	951-11337	Valve Kit
100	—	Exhaust Valve
101	—	Intake Valve
—	951-11345	Oil Filler Plug Ass'y
62	951-11960	O-Ring
63	—	Oil Drain Plug Ass'y
—	751-11971	Dipstick Ass'y
75	951-11904	Dipstick O-Ring
76	—	Dipstick / Cap
—	951-11336	Fuel Line Kit
27	—	Fuel Line
28	951-11731	Fuel Line Clamp
—	951-11334	Cylinder Head Kit
106	951-11963	Gasket, Cylinder Head
110	710-05053	Bolt, M10 x 1.25 x 87
111	751-11964	Intake Valve Seal
123	951-11967	Valve Cover Gasket

357cc 483-SU Engine

Ref.	Part Number	Description
—	951-11342	Crankshaft Kit
50	951-11957	Radial Ball Bearing
55	—	Crankshaft Ass'y
56	951-10307	Woodruff Key
65	951-11375	Oil Seal
81	951-11499	Oil Seal
—	951-11332	Carburetor Kit - Major
g	—	Throttle Pressure Lock Plate
n	—	Float Pin
o	—	Main Nozzle
p	—	Needle Valve
q	—	Main Jet
r	—	Needle Valve Spring
s	—	Float
t	951-11970	Bowl Gasket
v	951-11348	Main Bowl Bolt Gasket
x	951-11349	Fuel Drain Plug Gasket
—	951-11340	Crankcase Cover Kit
50	951-11957	Radial Ball Bearing
60	951-11376	Crankcase Cover Gasket
61	736-04476	Washer
64	—	Crankcase Cover
65	951-11375	Oil Seal
66	710-04971	Bolt, M8 x 38
67	710-04972	Bolt, M8 x 45
68	710-05052	Bolt, M8 x 35
—	751-11341A	Crankcase Kit
50	951-11957	Radial Ball Bearing
53	951-11958	Governor Seal
77	—	Crankcase
81	951-11499	Oil Seal
—	951-11972	Oil Fill Tube Assembly
73	951-11903	Oil Fill Tube O-Ring
74	—	Oil Fill Tube