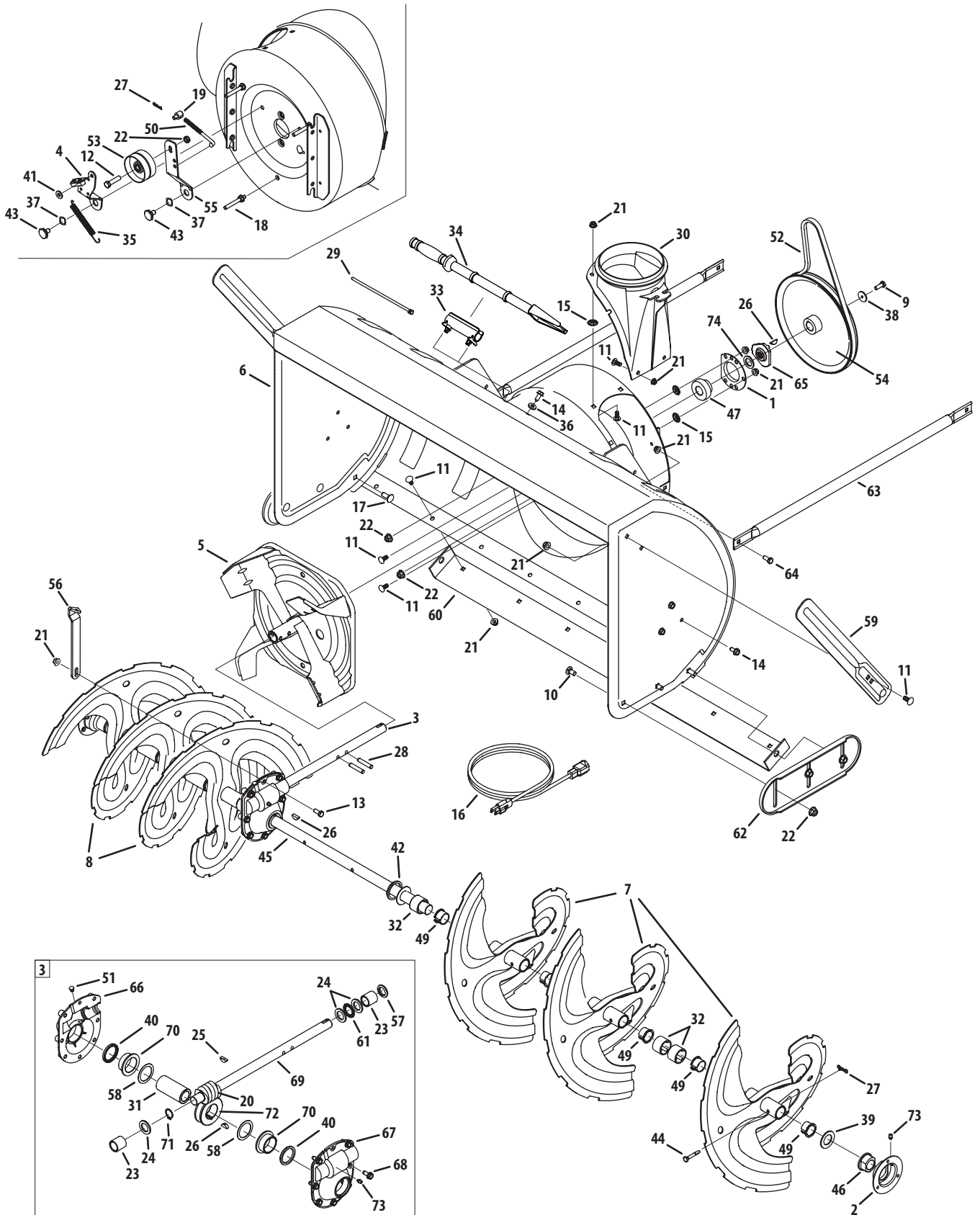


# PARTS LIST

## Craftsman Snow Thrower Model 247.88848



# PARTS LIST

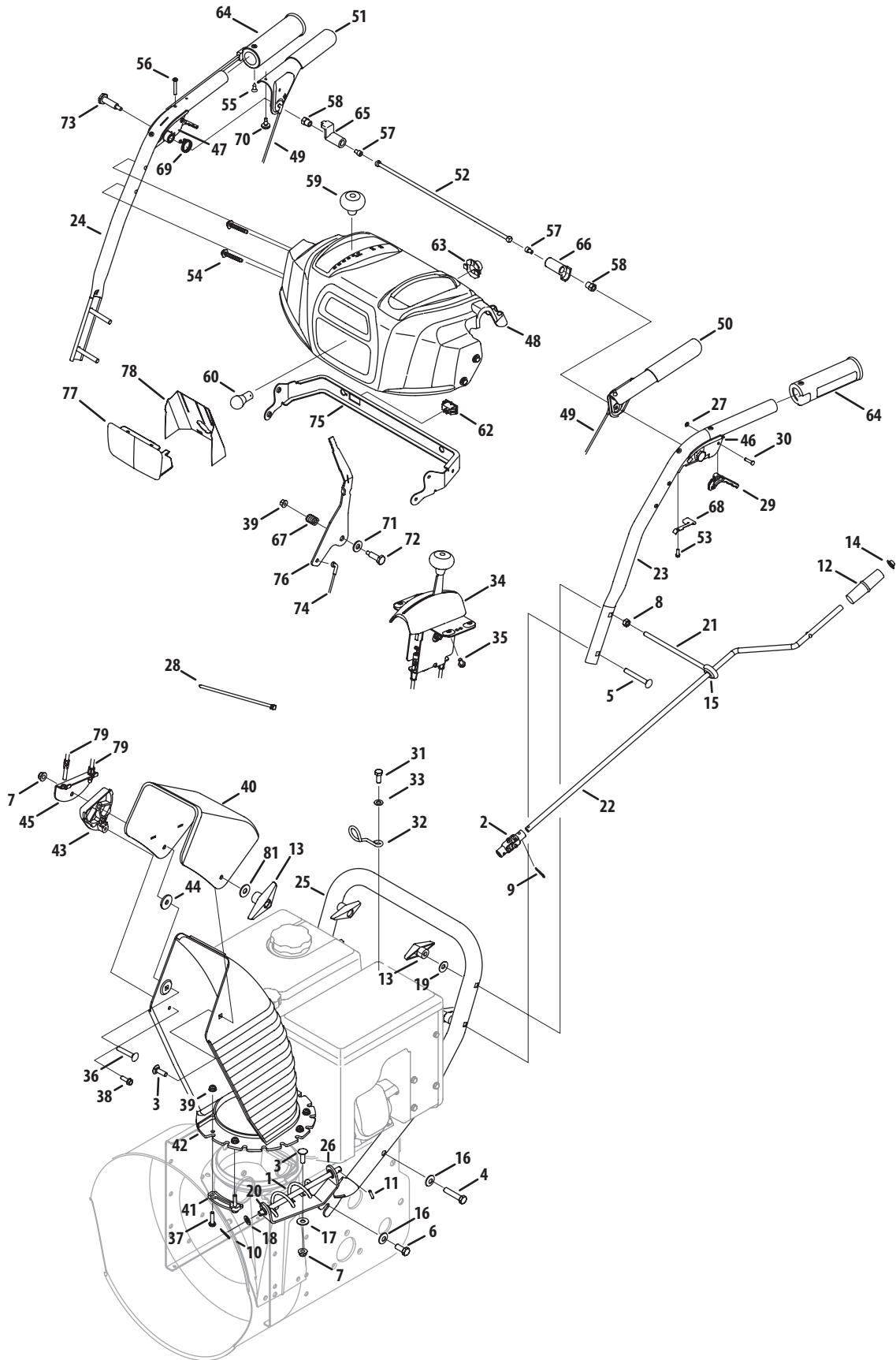
## Craftsman Snow Thrower Model 247.88848

Ref. No.	Part No.	Description
1.	05244B	Housing, Bearing
2.	784-0315A	Housing, Bearing
3.	918-04514	Gear Box Assembly, Auger
4.	918-0281A	Bracket Assy, Auger Brake
5.	684-0090B-0637	Impellar, 16"
6.	684-04224-0691	Housing, Auger - 45"
7.	684-04151-4028	Spiral Assy, LH
8.	684-04152-4028	Spiral Assy, RH
9.	710-1245B	Screw, 5/16-24 x .875
10.	710-0389	Bolt, Carriage, 3/8-16 x .750
11.	710-0451	Screw, Carriage, 5/16-18 x .75
12.	710-0347	Screw, Hex Cap, 3/8-16 x 1.75
13.	710-0376	Screw, Hex Cap, 5/16-18 x 1.00
14.	710-04484	Screw, 5/16-18 x .750
15.	926-04012	Nut, Push
16.	929-0071A	Extension Cord, 110V
17.	710-3168	Bolt, Carriage, 3/8-16 x 1.0
18.	710-04606A	Screw, 5/16-18 x .4300
19.	911-0677	Ferrule
20.	917-0299	Gear, Worm, Dbl Thread
21.	712-04063	Nut, Flng Lk, 5/16-18
22.	712-04065	Nut, Flg Lk, 3/8-16
23.	941-0217	Sleeve
24.	936-0291	Washer, Flat, .88 ID x .38 OD
25.	914-0126	Key, Hi Pro, 3/16 x 3/4
26.	914-0135	Key, Woodruff, 1/4 x 3/4
27.	714-04040	Pin, Bowtie Cotter
28.	915-0118	Pin, Spirol, 5/16 x 1.75
29.	725-0157	Tie, Cable
30.	731-1696B	Adapter, Chute, 6"
31.	738-0275	Shaft, Gear, Worm
32.	731-05163	Spacer, 1.0 x 1.5 x 1
33.	731-2635	Clip, Mounting
34.	931-2643	Tool, Cleanout
35.	732-0858	Spring, Extension
36.	936-0159	Washer, .349 x .879 x .063
37.	736-0174	Washer, .625 x .885 x .015

Ref. No.	Part No.	Description
38.	736-0505	Washer, Flat, .34 x 1.50 x .150
39.	950-04020	Spacer, 1.004 x 1.375 x .25
40.	921-0146	Oil Seal
41.	936-3008	Washer, .344 x .75 x .12
42.	736-3046A	Washer, 1.01 x 1.86 x .06
43.	938-0281	Screw, Shoulder, .625 x .17
44.	738-04155	Pin, Shear, .25 x 1.75
45.	738-04159	Axle, Spiral, 45"
46.	741-0192	Bearing, Flange w/Flats
47.	941-04024	Bearing, Self Aligning
48.	941-0475	Bushing, Nylon
49.	741-0494	Bushing, Flange, 1.051 x 1.16
50.	747-0980A	Rod, Auger Idler
51.	721-0325	Plug
52.	954-04194A	V Belt, 4L x 44.60" Long
53.	756-0178	Pulley, Flat Idler, 2.75 OD
54.	756-04244A	Pulley, Auger Drive, 10.0
55.	784-0385C	Bracket, Auger Idler
56.	790-00264A-0637	Bracket, Gear Box Support
57.	921-0145	Seal, Oil
58.	936-0266	Washer, Flat, 1.52 ID x 2.0 OD
59.	790-00181	Drift Cutter
60.	790-00280-0637	Plate, Shave, 45"
61.	741-0184	Bearing, Thrust
62.	784-5697-0637	Shoe, Skid
63.	749-04384-0637	Support Tube
64.	710-3008	Screw, 5/16-18 x .75
65.	748-04067A	Pulley, Adapter, .75 Dia.
66.	918-0246	Hsg Assy Auger RH (Inc. 40 & 70)
67.	918-0247	Hsg Assy Auger LH (Inc. 40 & 70)
68.	710-1260A	Screw, LD, 5/16-18 x .750
69.	711-04714	Shaft, Drive, Auger
70.	741-0670	Flange Bearing
71.	716-0111	Ext, Ret, Ring
72.	917-1425	Gear, Worm, LH
73.	937-3000	Lube Fitting, 3/16 #70
74.	736-0188	Washer, .76 x 1.49 x .06

# PARTS LIST

## Craftsman Snow Thrower Model 247.88848



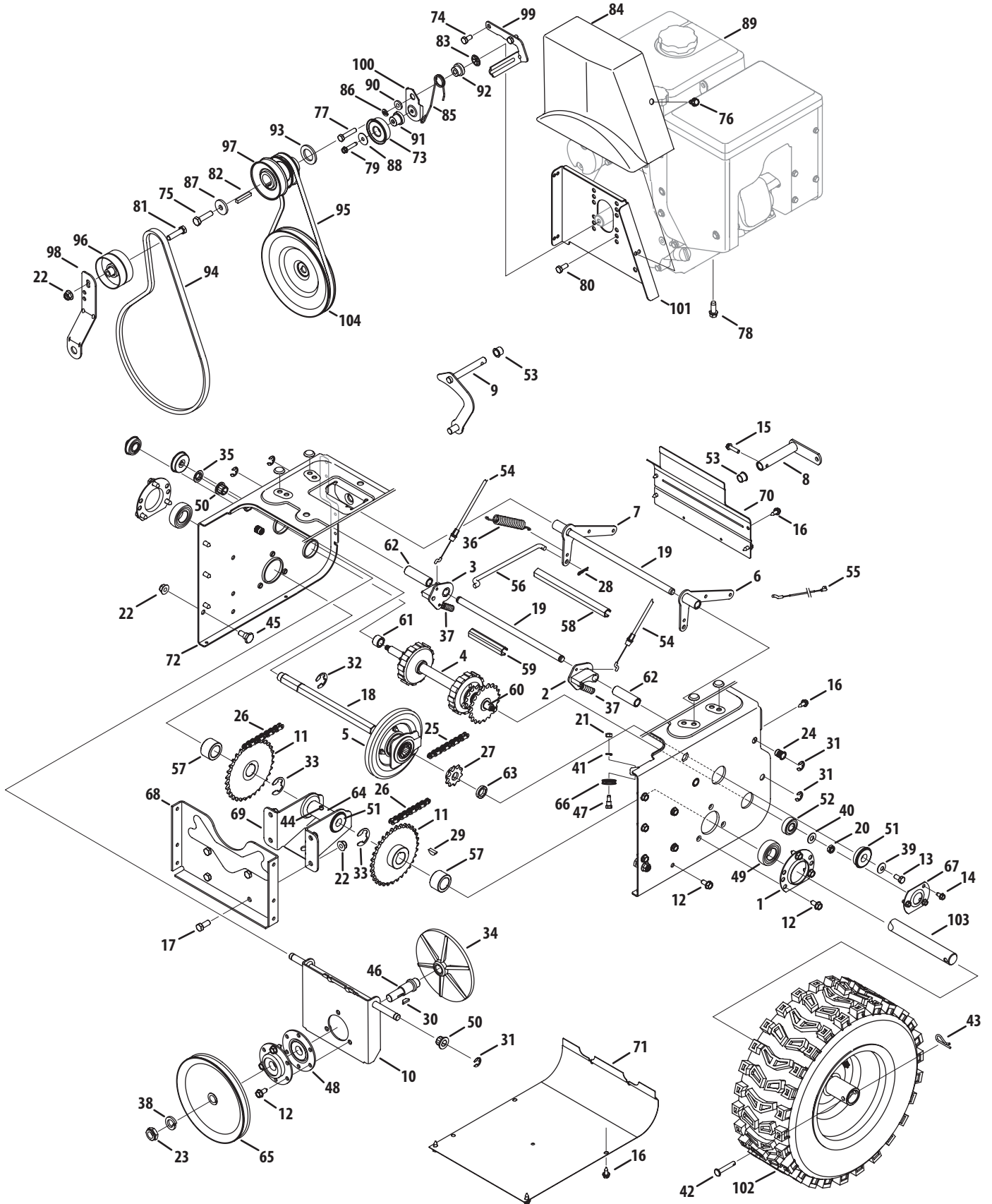
# PARTS LIST

Ref. No.	Part No.	Description
1	684-04308A	Chute Crank Assembly
2	684-04350	Joint Block Assembly
3	710-0276	Screw, Carriage, 5/16-18 x 1.0
4	710-04682	Screw, Hex, 3/8-16 x 2.00 Lock, Gr5
5	710-0572	Screw, Carriage, 5/16-18 x 2.5
6	710-3118	Screw, Hex, 3/8-16 x 1.0 Lock, Gr5
7	712-04063	Flange Lock Nut, 5/16-18
8	912-3010	Hex Nut, 5/16-18
9	914-0101	Internal Cotter Pin
10	914-0104	Internal Cotter Pin
11	715-04095	Spring Pin
12	720-0201A	Knob, Crank
13	720-04072A	Knob, Wing Nut, 5/16-18
14	926-0100	Cap, Push, 3/8
15	735-0234	Grommet, Rubber
16	736-0105	Washer, Bel, .375 x .87 x .063
17	936-0159	Washer, Flat, .349 x .879 .063
18	936-0185	Washer, .375 x .738 x .063
19	736-0242	Washer, Belleville, .34 x .872 x .06
20	941-0475	Plastic Bushing, .380 I.D.
21	747-04747	Eye Bolt
22	747-04925A-0637	Chute Rod
23	749-04309-0691	Handle, Upper - LH
24	749-04310-0691	Handle, Upper - RH
25	749-0991-0691	Handle, Lower
26	790-00329-0637	Chute Crank Bracket
27	716-04036	Ring, Retainer
28	725-0157	Cable Tie
29	731-06113	Trigger
30	738-04126	Pin, 3/16
31	710-04022	Hex Head Screw, MB 1.25
32	732-04677	Cable Guide
33	936-0264	Flat Washer, .330 x .630 x .0635
34	984-04230	2-Way Chute Control™ Assy
35	710-04187	Hi-Lo Screw, 1/4-15 x 0.5
36	710-0458	Bolt, Carriage, 5/16-18 x 1.75
37	710-0597	Screw, 1/4-20 x 1.00
38	710-0895	Hi-Lo Screw, 1/4-15 x .75
39	712-04064	Flange Lock Nut, 1/4-20
40	731-0846C	Upper Chute
41	731-0851A	Chute, Flange Keeper
42	731-0903E	Lower Chute

Ref. No.	Part No.	Description
43	731-1313C	Chute Tilt Cable Guide
44	936-0231	Flat Washer
45	784-5594-0637	Cable Bracket
46	631-04133A	Handle Clutch Lock - LH
47	631-04134B	Handle Clutch Lock - RH
48	931-04187A	Handle Panel
49	646-0012	Cable Assembly, Auger/Drive
	746-0952	Cable, Clutch
	732-0184	Spring, Extension
50	684-04111B	Handle Engage Assy - LH
51	684-04112B	Handle Engage Assy - RH
52	684-04250	Rod Ass'y, Clutch Lock Pivot
53	710-04326	Screw, #8-16 x 0.50
54	710-04586	Screw, 1/4-20 x 1.625
55	710-0837	AB Screw, #10-16
56	710-1233	Screw, #10-24 x 0.375
57	710-3069	Screw, 1/4-20 x.375
58	712-04081A	Shoulder Nut, 1/4-20
59	720-04039	Shift Knob
60	725-05326	Lamp
61	725-05148	Wiring Harness ( <i>Not Shown</i> )
62	725-04393	Htd. Hand Grip on/off Switch
63	925-1649	Light Socket
64	725-05149	Heated Hand Grip
65	731-04894D	Lock Plate
66	731-04896B	Clutch Lock Cam
67	732-0193	Compression Spring
68	732-04219C	Clutch Lock Spring
69	732-04238	Torsion Spring
70	935-0199A	Rubber Bumper
71	936-0267	Flat Washer, .385 x .87 x .06
72	738-04125	Shoulder Screw
73	738-04348	Shoulder Screw, 1/4-20 x 1.345
74	746-04341	Speed Selector Cable
75	790-00248B-0637	Panel Bracket
76	790-00281B-0637	Shift Lever
77	731-05324	Lens Panel
78	777X41804	Reflector Label
79	746-04338	Cable, Chute Tilt
80	710-0599	Self-Tap Screw ( <i>Not Shown</i> )
81	736-0159	Flat Washer, .349 x .879 x .063

# PARTS LIST

Craftsman Snow Thrower Model 247.88848



# PARTS LIST

## Craftsman Snow Thrower Model 247.88848

Ref. No.	Part No.	Description
1.	05244B	Housing, Bearing
2.	618-0279P	Dogg, Steering Drive, LH
3.	618-0280P	Dogg, Steering Drive, RH
4.	918-0282E	Shaft Assembly, Steering
5.	918-04178	Assembly, Friction Wheel
	718-04034	Wheel, Friction, Bonded
	710-0896	Screw, Hex Wash
6.	684-0118B-0637	Bracket, Auger Actuator
7.	684-0119B-0637	Bracket, Drive Actuator
8.	684-0161-0637	Arm, Shift
9.	984-04103	Rod Assembly, Shift
10.	684-04212-0637	Bracket, Friction Drive Support
11.	684-04235	Sprocket, 32T
12.	710-04484	TT Screw, 5/16-18 x .750
13.	710-0538	Screw, Hex Cap Lock,
14.	710-0599	Screw, Hex, 1/4-20 x .50
15.	710-0788	Screw, Hex, 1/4-20 x 1.00
16.	710-1652	Screw, Hex Wash.
17.	710-3001	Screw, Hex Cap, 3/8-16
18.	911-04279	Shaft, Hex Drive
19.	711-04605	Shaft, Actuator
20.	912-0116	Nut, Hex Insert Jam Lock
21.	912-0138	Nut, Hex, 1/4-28 GR5
22.	712-04065	Nut, Hx Flnge Insert Lk
23.	912-0413	Nut, Hx Insert Jam Lk
24.	712-0717	Nut, Insert 3/8-16
25.	713-0284	Chain, Endless, #41 x 36L
26.	713-0286	Chain, #420 x 40L
27.	913-04015	Sprocket, #41 x 10T
28.	914-0104	Pin, Internal Cotter
29.	914-0135	Key, Woodruff
30.	914-0388	Key, Hi-Pro, 3/16 x 5/8
31.	916-0104	E-Ring
32.	716-0136	Ring, Retaining
33.	716-04048	Ring, Retainer
34.	917-0302	Plate, Drive
35.	726-0221	Speed Nut, .500
36.	932-0121	Spring, Extension
37.	932-0209	Spring, Extension
38.	936-0158	Washer, Lock, 5/8
39.	736-0242	Washer, Bell., .34 x .872 x .06

Ref. No.	Part No.	Description
40.	936-0300	Washer, .406 x .875 x .059
41.	936-0329	Washer, Lock, 1/4
42.	711-04615	Pin, Clevis
43.	914-0149B	Pin, Internal Cotter
44.	937-3000	Fitting, Lube, 3/16 Drive
45.	738-0143	Screw, Shldr., .498 x .34
46.	738-0279	Spindle, Drive Plate
47.	738-0924A	Screw, Hex Shldr., 1/4-28
48.	741-0163A	Ass'y, Bearing/Housing
49.	941-04025	Bearing, Self Aligning
50.	741-04108	Bearing, Hex Flange
51.	941-0563	Bearing, Ball
52.	741-0747	Bush, Flg, .5625 ID x 1.375 x .4375
53.	741-0748	Bush, Flg, .5 ID x .627 OD
54.	746-04337A	Cable, Steering
55.	946-0951A	Cable, Auger Idler
56.	747-0973	Rod, Drive Clutch
57.	750-04703	Spacer, 1.01 x 1.50 x .93
58.	750-04717	Spacer, .49 x 7.865
59.	750-04718	Spacer, .49 x 3.545
60.	750-05342	Spacer, .566 x .87 x .190
61.	750-05343	Spacer, .566 x .87 x 1.25
62.	750-0903B	Spchr., .514 x .632 x 2.44
63.	950-0997	Spacer, .675 x 1.0 x .23
64.	750-1302B	Spchr, .6725 x 1.125 x 2.48
65.	756-0344	Pulley, Drive
66.	756-0625	Roller, Cable
67.	784-0404	Retainer Bracket
68.	784-0406A-0637	Bracket, Frame Support
69.	784-0407-0637	Bracket, Axle Support
70.	790-00257-0691	Cover, Upper Frame
71.	790-00259-0691	Cover, Lower Frame
72.	790-00349-0691	Trans Frame
73.	684-04169	Idler Pulley Assembly
74.	710-0157	Screw, Hex 5/16-24 x .75
75.	710-0191	Screw, Hex 3/8-24 x 1.25
76.	710-0607	Screw, Hx Wash Hd Tapp
77.	710-0624	Screw, Hex Cap, 5/16-24 x 1.50
78.	710-0654A	Screw, 3/8-16 x 1.00
79.	710-0809	Screw, 1/4-20 x 1.25

Continued on following page

# PARTS LIST

## Craftsman Snow Thrower Model 247.88848

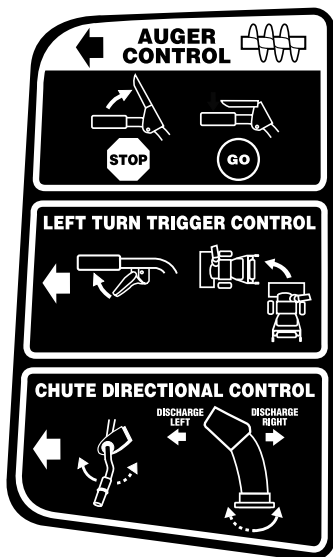
Continued from previous page

Ref. No.	Part No.	Description
80.	738-04439	Screw, Hex Cap, 5/16-24 x .875
81.	710-0347	Screw, Hex Cap, 3/8-16 x 1.75
82.	714-0118	Key, Square, 1/4 x 1.5
83.	926-04012	Nut, Push
84.	931-2531	Cover, Belt
85.	732-04308A	Torsion Spring, .850 dia. x .333 lg.
86.	936-0119	Washer, Lock, 5/16
87.	736-0247	Washer, Flat, .406 x 1.25
88.	736-3092	Washer, Flat, .265 x 1.0 x .030
89.	952Z490-SUA	Engine Complete
90.	748-04112A	Shoulder Spacer, .3175 x .500 x .094
91.	750-04571	Shoulder Spacer, .260 x .785 x .538
92.	750-04821	Shoulder Spacer, .340 x 1.00
93.	750-05316	Spacer, 1.02 x 1.63 x .1425
94.	954-04194A	V-Belt, 4L x 44.60
95.	954-04202	V Belt, 3/8 x 36.68
96.	756-04224	Pulley, Flat Idler, 2.75 OD
97.	756-0241B	Double Pulley, 3.25 x 2.75
98.	784-0385D	Bracket, Auger Idler
99.	790-00167A-0637	Belt Keeper Bracket
100.	790-00208C	Idler Drive Wheel Bracket
101.	790-00254A-0637	Belt Cover Bracket
102.	634-0225A-0911	Wheel Ass'y. - LH
	634-0226A-0911	Wheel Ass'y. - RH
	734-2031	Tire
	734-1124A-0662	Rim Assembly
	934-0255	Valve
103.	711-04606A	Axle, Wheel, 45"
104.	756-04244A	Auger Pulley, 10.0 x .5

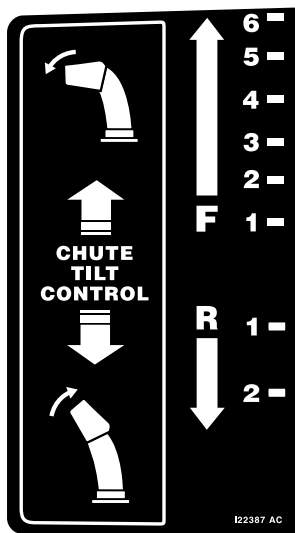
# PARTS LIST

Craftsman Snow Thrower Model 247.88848

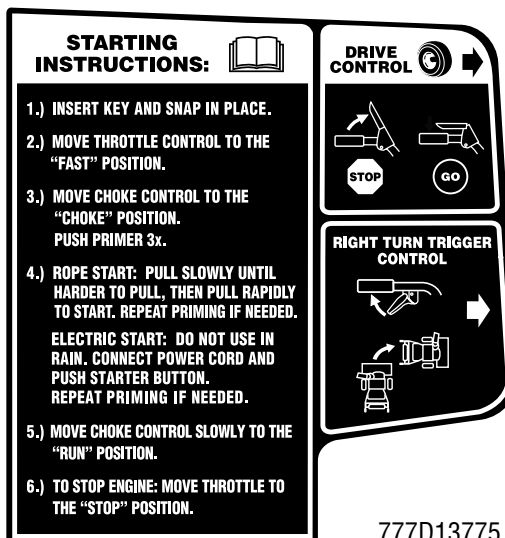
777122386



777122387



777122388



777D13775

777S32236



777S32636



777D13770



777D11504

777122363



777X43688



777D11503

