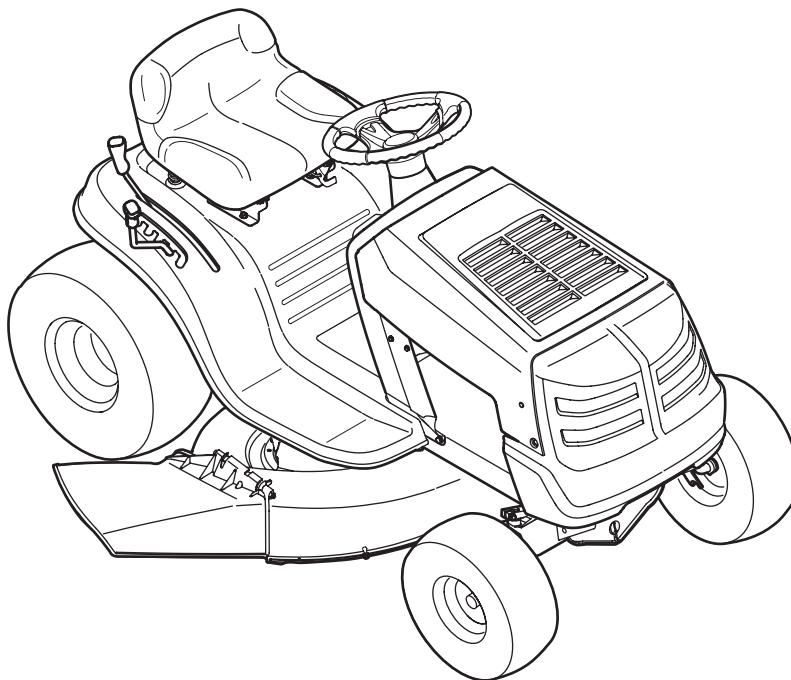

ILLUSTRATED PARTS MANUAL

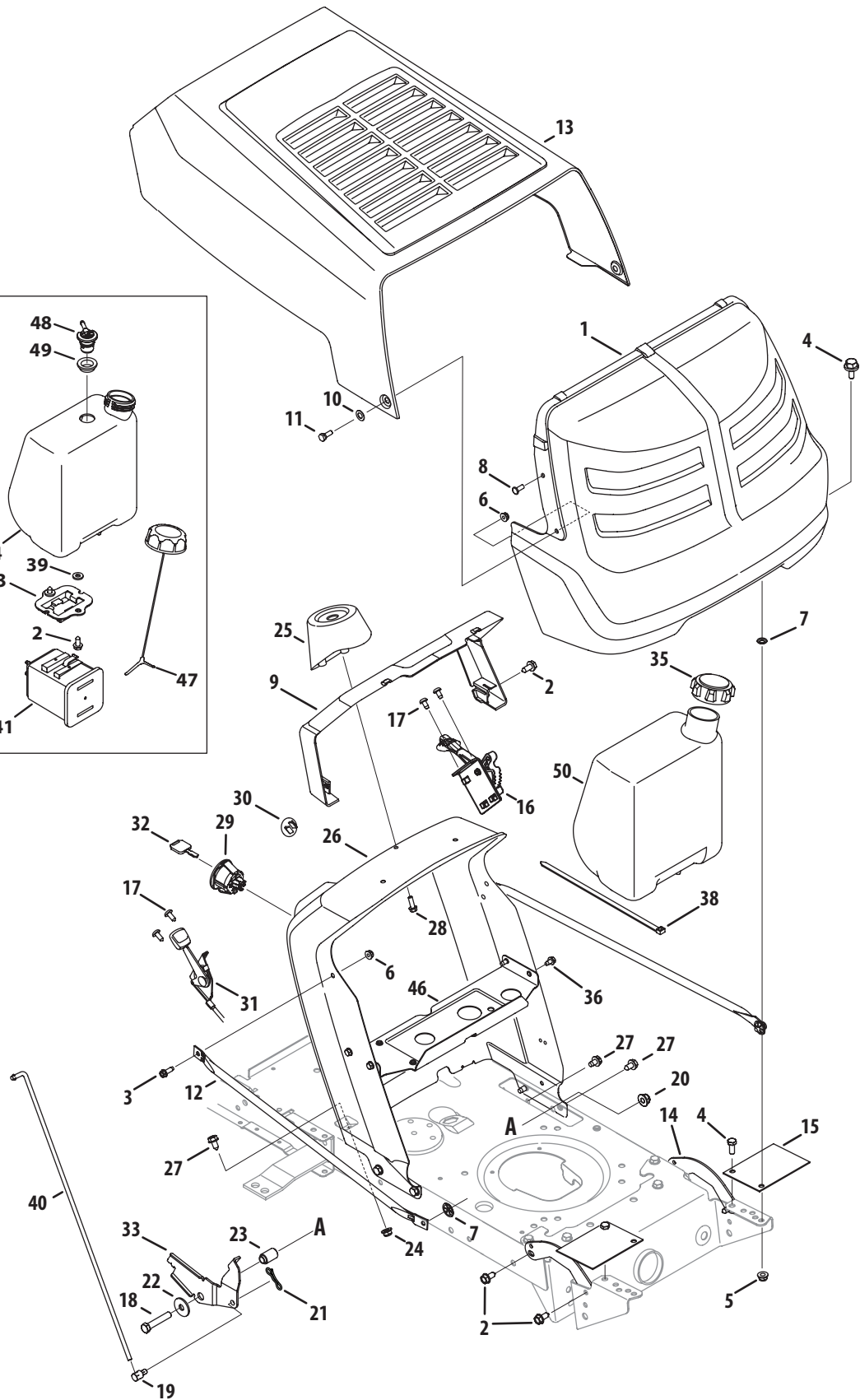
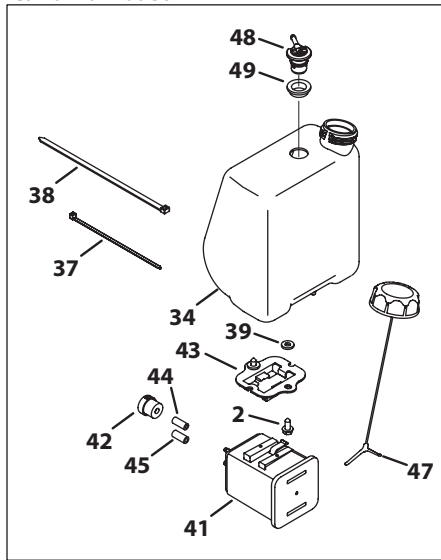


Automatic Lawn Tractor — Model Series 760

MTD LLC, P.O. BOX 361131 CLEVELAND, OHIO 44136-0019

Hood & Dash

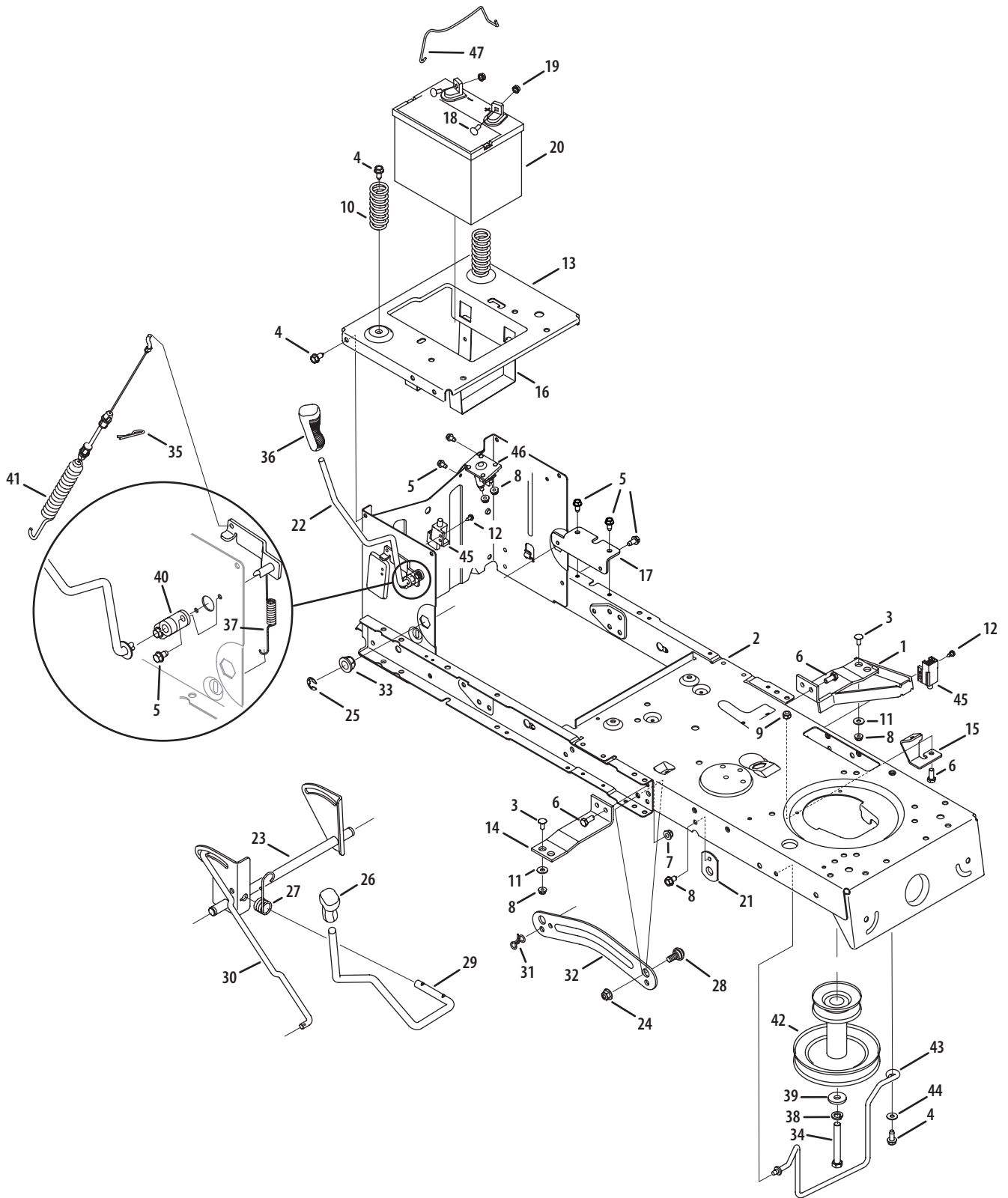
California Models



Ref. No.	Part No.	Description	Ref. No.	Part No.	Description
1	931-07544	Grill Assembly	26	783-04873B	Dash, It-5, No RMC
2	710-04484	Screw, Tap, 5/16-18, .750	27	710-0604A	Tap Screw, 5/16-18, 0.625
3	710-0642	Screw, Tap, 1/4-20, 0.750	28	710-0895	Screw, HL, 1/4-15, 0.750
4	710-3008	Hex Screw, 5/16-18, .75	29	925-04659	Key Switch
5	712-04063	Flange Lock Nut, 5/16-18	30	731-05265	Choke Plug
6	712-04064	Flange Lock Nut, 1/4-20	31	746-04364	Throttle/Choke Cable Assembly
7	926-04012	Nut, push-On, .25 Dia	32	925-1745A	Key
8	728-0162	Rivet, flat Head 1/4"	33	783-04903	Speed Latch - No RMC
9	731-05012B	Collar, dash, 0/2 Style	34	751-10782	Fuel Tank, 1.36 Gal.
10	936-0314	Wash, Thrust, .375x.70x.030	35	751-0603A	Fuel Cap
11	938-0952A	Bolt, Shoulder, .375 X .125	36	710-0599	Tap Screw, 1/4-20, 0.500
12	749-04220	Grill Support Rod	37	725-0157	Cable Tie, 3/16 X .05 X 7.4
13	783-04608	Hood	38	726-0230	Cable Tie, 36.0 Long
14	783-05027	Front Pivot Support Bracket	39	736-3008	Flat Washer, .344 X .750 X .120
15	783-06682	Support Bracket	40	747-04430	Speed Selector Control Rod
16	983-04225	6-Speed Control Assembly	41	951-10589	Carbon Canister, 5 Gallon
17	710-04483	Screw, Tap, 1/4-20, 0.500	42	951-10590	Filter, Vent, Canister
18	710-3144	Hex Screw, 3/8-16, 2.00, Gr5, Std	43	951-10610	Adapter Bracket, Canister
19	711-0736	Adjustable Ferrule, 1/4-20 X 1.00	44	751-10749	Hose, Fuel, Low Perm, 3/16 Wht.
20	712-04065	Flange Lock Nut, 3/8-16	45	751-10750	Hose, Fuel, Low Perm, 7/32 Yel.
21	714-04040	Bow-Tie Cotter Pin, 72	46	783-04584A	Gas Tank Support Bracket
22	936-0133	Wash, flat, .411 X 1.25 X .100	47	951-10947	Fuel Cap, 2.25"
23	750-04465	Flange Spacer, .390 X .671 X 1.095	48	751-10441	Rollover Valve
24	712-04063	Flange Lock Nut, 5/16-18	49	735-04081	Rubber Grommet, 23 x 3.55
25	731-04945	Steering Support	50	751-0555B	Fuel Tank, 1.50 Gal.

NOTE, Tractor features vary by model. NOT all parts listed above and pictured on the previous page are standard equipment.

Frame and PTO Lift



Frame and PTO Lift

Ref. No.	Part No.	Description	Ref. No.	Part No.	Description
1	683-04195	Support Bracket	25	716-0106A	E Ring
2	683-04601	Frame Assembly	26	720-0311	Handle Grip, 1/2
3	710-0134	Screw Carriage, 1/4-20 x .62	27	732-04225	Torsion Spring
4	710-04484	Screw 5/16-18 x .750	28	738-04130	Shoulder Bolt, 3/8-16 x .625 x .175
5	710-0599	Screw, 1/4-20 x .500	29	747-04282	Deck Lift Handle
6	710-3008	Hex Screw, 5/16-18 x .75	30	747-04393	Lift Rod
7	712-04063	Flange Lock Nut, 5/16-18	31	714-04040	Bow-tie Cotter Pin
8	712-04064	Flange Lock Nut, 1/4-20	32	783-04494C	Lift Arm, RH
9	912-0429	Hexlock Nut, 5/16-18		783-04711C	Lift Arm, LH
10	732-04035	Compression Spacer, 1.28 x 3.125	33	941-0225	Hex Flange Bearing
11	736-0173	Flat Washer, .28 x .74 x .063	34	710-04608	Hex Screw, 7/16-20 x 3.25, 38/42"
12	738-04237A	Shoulder Spacer, 10-32 x .500	35	914-0145	Click Pin, .092 x 1.64
13	783-04548C	Seat Frame Bracket	36	720-04049A	Handle Grip, 3/8
14	783-04637	Running Board Bracket	37	732-04276A	PTO Spring Extension
15	783-04753	Support Frame Bracket	38	936-0171	Regular Duty Washer Lock, 7/16
16	783-04869A	Battery Bracket	39	736-0322	Flat Washer, .450 x 1.250 x .164
17	783-05389A	Brace Frame Bracket	40	741-04119A	PTO Bearing
18	710-04666	Hex Head Flange, 1/4-20 x .75	41	946-04173B	Deck Engage Cable
19	712-0271	Sems Nut, 1/4-20	42	756-04196A	Engine Pulley, 3.39 x 6.12, 38/42"
20	925-1707D	230 CCA Battery	43	747-04332A	Belt Keeper
21	783-04536B	Support Bracket	44	936-0300	Flat Washer, .406 x .875 x .059
22	647-04096	PTO Handle Assembly	45	725-04363	Switch Interlock
23	683-04155A	Lift Assembly	46	725-04439	12V Solenoid
24	712-04065	Flange Lock Nut, 3/8-16	47	683-04448	Rod Asm, Batt, Lt-5

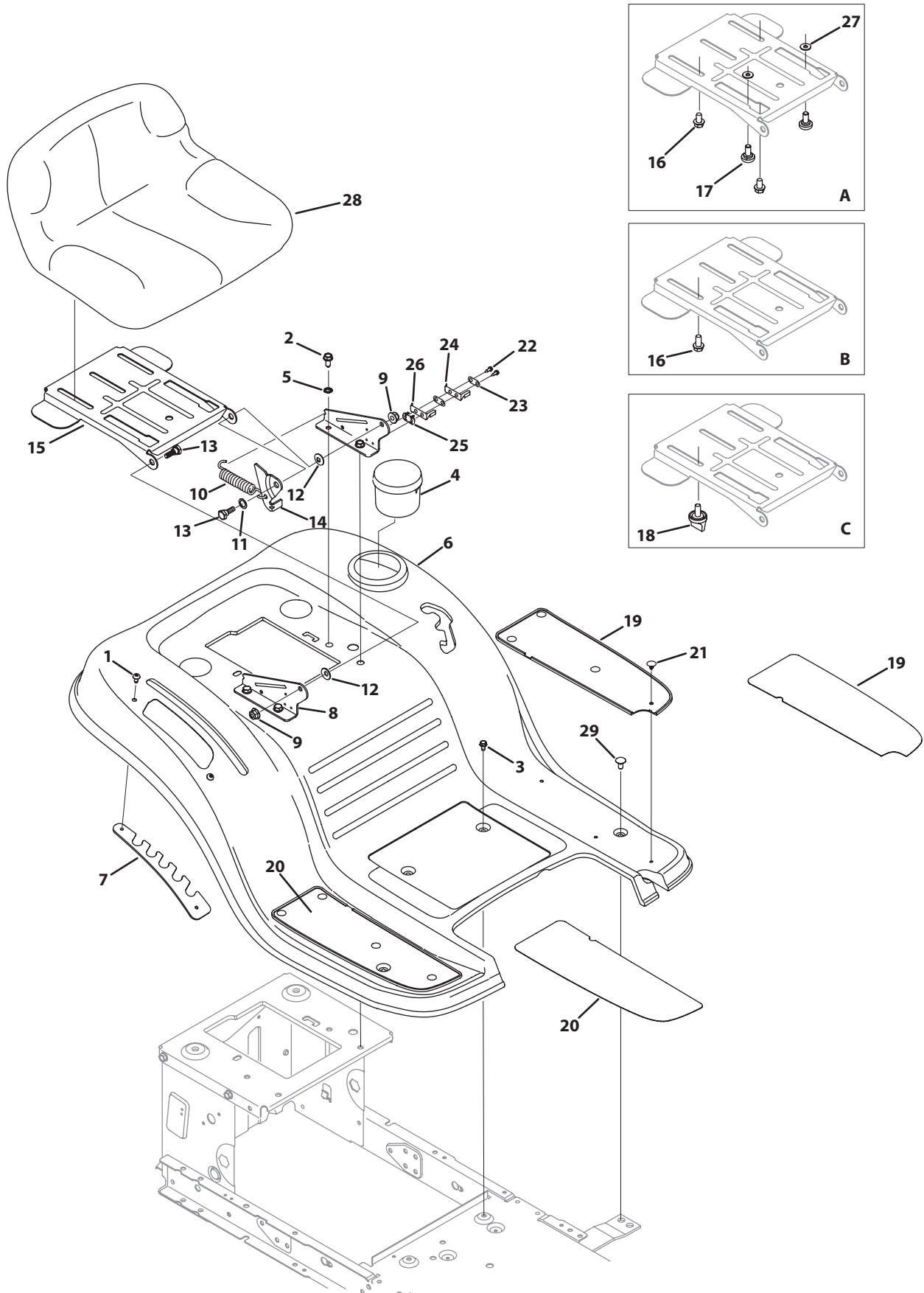
NOTE, Tractor features vary by model. NOT all parts listed above and pictured on the previous page are standard equipment.

Front End Steering

Ref. No.	Part No.	Description	Ref. No.	Part No.	Description
1	617-04024A	Front Steering Gear Assembly	21	750-04418	Spacer, .322 x .625 .21
2	710-0376	Hex Screw, 5/16-18 x 1.00	22	783-04644	Gear Segment Stabilizer Plater
3	710-0643	Hex Screw, 5/16-18 x 1.00, Lock	23	736-04228A	Flat Washer, .781 x 1.590
4	710-1309	Machine Screw, 5/16-18 x .750	24	634-04519	Wheel Assembly
5	710-3180	Hex Screw, 5/16-18 x 1.75	25	714-04039	Cotter Pin, 5/32 x 1.25
6	912-0240	Jam Nut, 7/16-20	26	710-04484	Screw, 5/16-18 x .750
7	912-0214	Jamlock Nut, 3/8-24	27	712-04065	Flange Lock Nut, 3/8-16
8	712-04063	Flange Lock Nut, 5/16-18	28	914-0474	Cotter Pin, .125 x .75
9	638-04008P	Front RH Axle	29	683-0128B	Pivot Axle
	938-04013	46" Front RH Axle	30	726-0341	Push Nut, 3/4
10	923-0448A	Ball Joint, 7/16-20	31	731-04057A	Standard Axle Cap
11	736-0242	Bell Washer, .340 x .872 x .060	32	738-04128	Shoulder Bolt, 3/8-16 x .500 x 2.38
12	938-04014A	Front LH Axle	33	741-0660A	Flange Bearing, .760 x .941 x 1.0
	938-04013	Front RH Axle	34	747-04299A	Fixed Rod
13	738-04141	Shoulder Bolt, 5/16-18 x .435 x .350	35	783-04568	Front Deck Hanger Bracket
14	738-0919A	Steering Shaft, 5/8 x 22.08	36	783-04601C	Pivot Bar Bracket
15	941-04124	Flange Bearing, 5/8	37	931-0484A	Hub Cap
16	941-0475	Plastic Bushing, .380 ID	38	631-04028	Steering Wheel
17	747-04298	Steering Link	39	731-04040	Sprig Cap
18	948-0389	Cap, 1.25 x .16	40	634-04098A	Rim Assembly, 6.0 x 4.0
19	748-04065	Steering Block	41	934-0255	Valve, tubeless Air
20	748-04068	Spacer, .71 x .125 x .56	42	734-04372	Tire, 13 X 5 X 6 Round Shoulder

NOTE, Tractor features vary by model. NOT all parts listed above and pictured on the previous page are standard equipment.

Seat and Fender

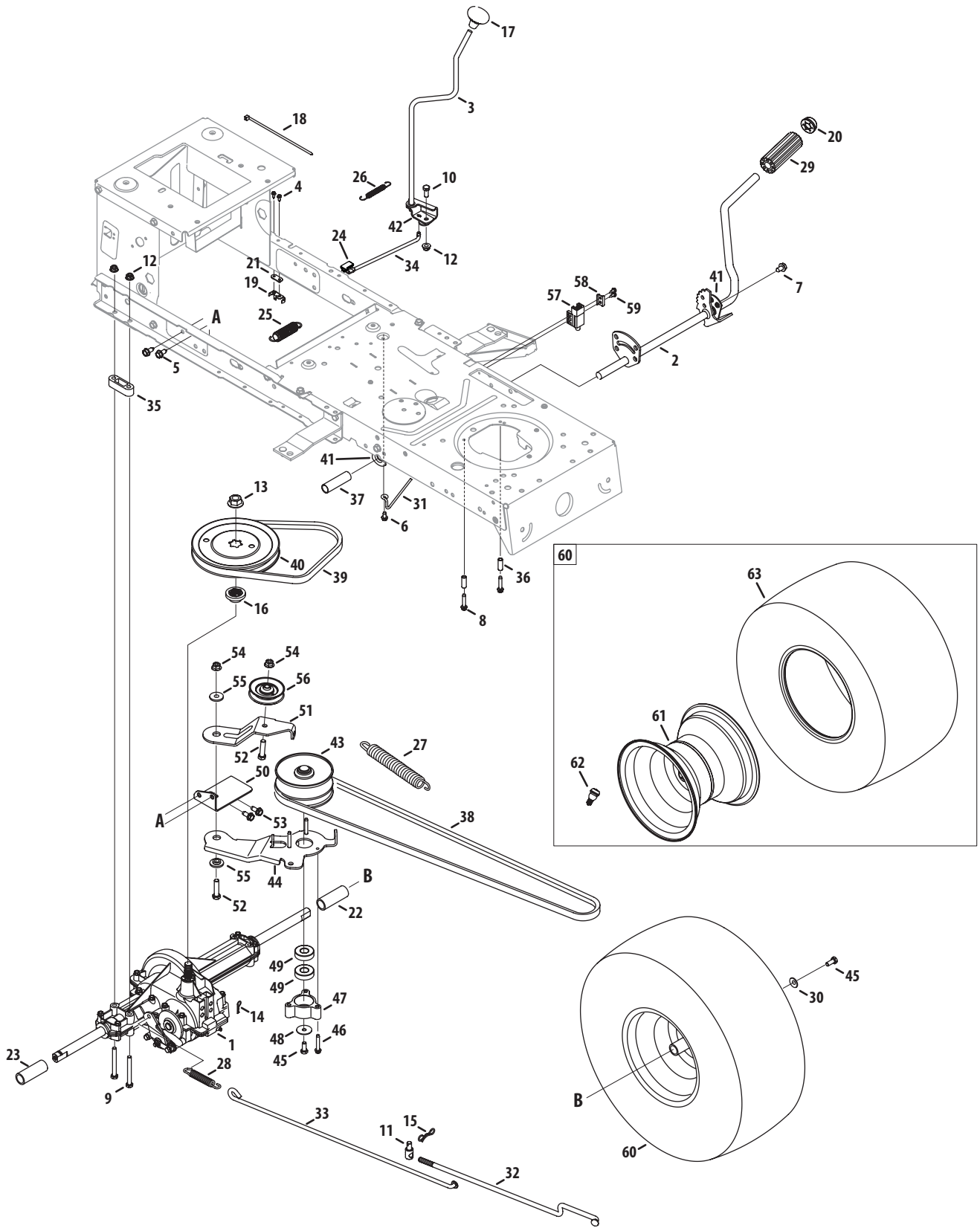


Seat and Fender

Ref. No.	Part No.	Description	Ref. No.	Part No.	Description
1	710-04483	Screw, 1/4-20 x .500	19	735-04047	Foot Pad, LH
2	710-04484	Screw, 5/16-18 x .750		723-04026	Foot Pad, Abrasive, LH
3	710-0599	Screw Pan Torx Head, 1/4-20 x .500	20	735-04048	Foot Pad, RH
4	731-04591A	Cup Holder		723-04025	Foot Pad, Abrasive, RH
5	736-0607	Loack Washer, 5/16	21	726-04072A	Ratchet Clip, .250 x .500
6	783-04587C	Fender - Red	22	710-0227	Screw, 8-18 x .500
7	783-04843	Lift Adjuster Bracket - Powder Black	23	726-0279	Insulator Plate
8	783-1489C	Seat Mount Bracket - Powder Black	24	925-1303	Outer Seat SPring
9	712-04063	Flange Lock Nut, 5/16-18	25	726-0278	Insulator Boss Plate
10	732-1184	Extension Spring	26	725-1439	Inner Seat Spring
11	936-0108	Flat Washer, .510x .750 x .033	27	936-0140	Flat Washer, .385 x .62 x .063
12	736-0242	Bell Washer, .340 x .872 x .060	28	957-04037	Medium Back Seat, Set-up A
13	938-0296	Shoulder Screw, 5/16-18 x .437 x .268		757-04083	Medium Back Seat, Black, Set-up B
14	783-0209D	Lift Seat Bracket		757-04084	Medium Back Seat, Yellow, Set-up B
15	783-04081C	Pivot Seat Manual Adjust Bracket		757-04099	Low Back Seat, Black, Set-up B or C
16	710-04482	Hex Head Flange, 3/8-16 x .875		757-04100	Low Back Seat, Yellow, Set-up B
17	738-04012A	Shoulder Screw, 3/8-16 x .625 x .145		757-04088	High Back Seat, Black, Set-up B
18	720-04061	Knob, 3/8-16 x .875	29	710-0134	Screw Carriage, 1/4-20 x .62

NOTE, Tractor features vary by model. NOT all parts listed above and pictured on the previous page are standard equipment.

Transmission

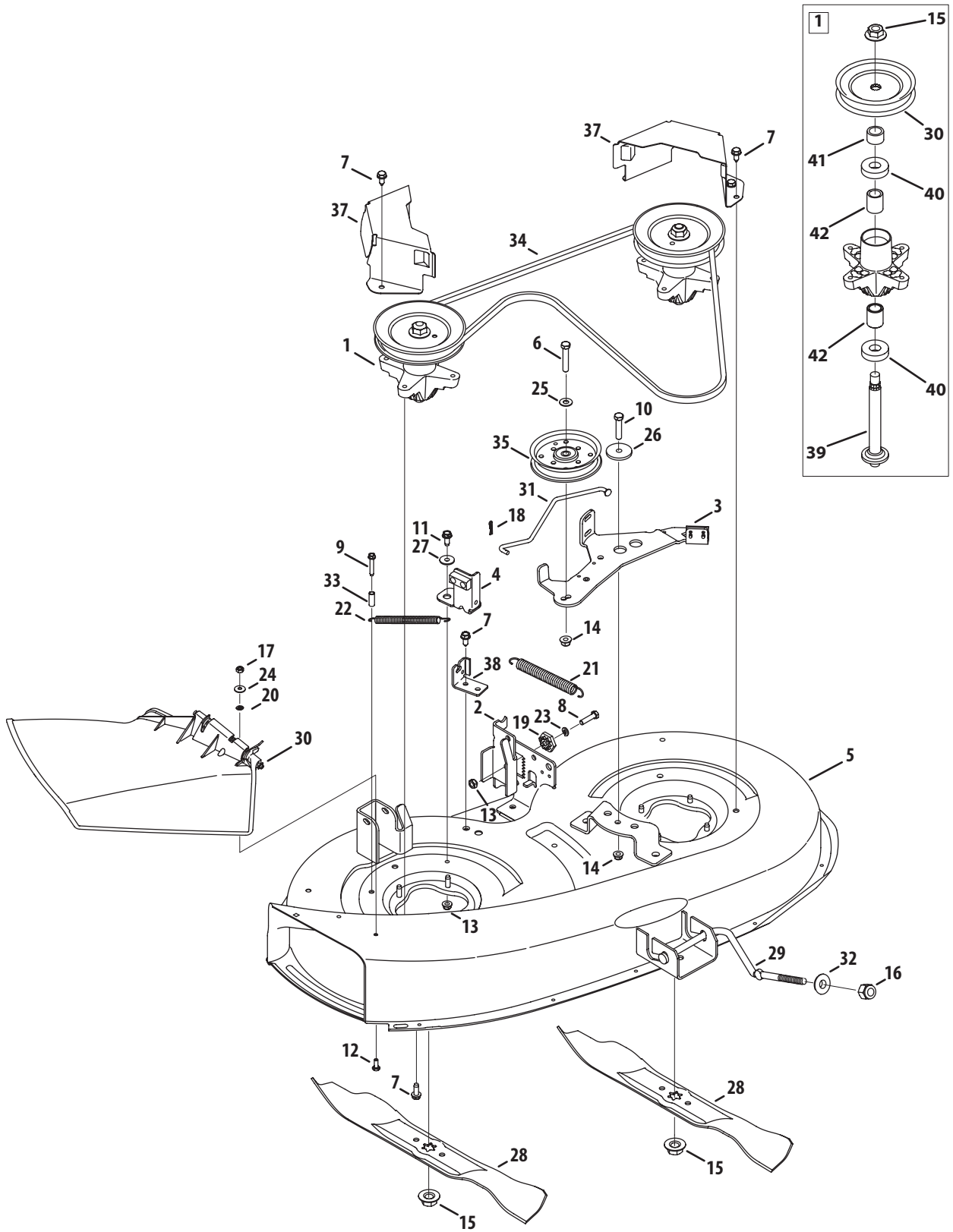


Ref. No.	Part No.	Description
1	918-04566	Transmission Drive Assembly
2	647-04034C-0637	Pedal Assembly
3	647-04035	Shaft Lever Assembly
4	710-0227	Screw, 8-18, 0.500
5	710-04484	Screw, 5/16-18 x .750
6	710-0599	Screw, 1/4-20 x 0.500
7	710-0604A	Screw, 5/16-18 x 0.625
8	710-0809	Screw, 1/4-20 x 1.250
9	710-1266	Hex Screw, 5/16-18 x .625
10	710-3008	Hex Screw, 5/16-18 x .75
11	911-04075A	Ferrule, 3/8-24 X .375 DIA.
12	712-04063	Flange Lock Nut, 5/16-18
13	712-0700	Flange Nut, 9/16-18
14	914-0209	Cotter Pin INT- .125 DIA
15	714-04040	Bow-Tie Cotter Pin
16	718-04407	Pulley Hub, 5/8 SPLINE
17	720-04028	Shift Knob
18	725-0157	Cable Tie
19	725-1644	Short Spring Switch
20	726-0214	Push Cap, 5/8
21	926-0320	Plate Insulator Nut
22	731-04602	Sleeve, .758 x .821 x 3.3125
23	731-04604	Sleeve, .758 x .821 x 2.4375
24	731-06894	Shift Bearing Plate
25	732-04306	Spring Extension, .80 OD x 3.28 LG
26	732-04488	Spring Extension, .38 OD x 3.25 LG
27	732-0459C	Spring Extension, .94 OD x 6.74 LG
28	732-0716D	Spring Extension, .59 OD x 4.00 LG
29	735-0239	Foot Pad, 4.0 LONG
30	736-0242	Bell Washer, .340 x .872 x .060
31	747-04969	Belt Keeper Rod
32	747-05186	Variable Speed Control Rod

Ref. No.	Part No.	Description
33	747-05188	Brake Rod
34	747-05243	Shift Rod, 46"
35	948-0334	Spacer, T-Axle
36	750-0566A	Spacer, .260 x .375 x 1.030 LG
37	750-0802	Spacer, .640 ID x .76 OD x 2.63
38	954-04249	V Belt, 5L, 70.90 POLY
39	954-04265	V Belt, 5L, 33.8 POLY
40	756-04432	Trans. Pulley
41	783-04536B-0637	Pedal Support Bracket
42	783-04595A	Shaft Adjust Bracket
43	956-04015A	Variable Speed Pulley Assembly
44	753-05147	Bracket Assembly
45	710-0627	Hex Screw, 5/16-24 x .750
46	710-0778	Screw, 1/4-20 x 1.500
47	718-04261	Bearing Cup
48	736-0362	Flat Washer, .330 x 1.25 x .06, HT
49	941-0600	Ball Bearing, 17 x 40 x 12
50	683-04176A	Transmission Bracket Assembly
51	683-04207	Idler Bracket Assembly
52	710-0347	Hex Screw, 3/8-16 x 1.75
53	710-1260A	Screw, 5/16-18 x 0.750
54	712-04065	Flange Lock Nut, 3/8-16
55	938-0347	Shoulder Spacer, .625 ID x .169
56	756-04325	Idler Pulley
57	725-04363	Switch Interlock
58	17962	Plate Switch
59	738-04237A	Shoulder Screw, #10-32 x .500
60	734-0592	Wheel Assembly, 18 x 6.5
61	634-04174	Rim Assembly
62	934-0255	Valve Stem
63	734-0294	Tire, 18 x 6.5 x 8 Sq. Sh.
—	925-04085	Wiring Harness (<i>Not Shown</i>)

NOTE, Tractor features vary by model. NOT all parts listed above and pictured on the previous page are standard equipment.

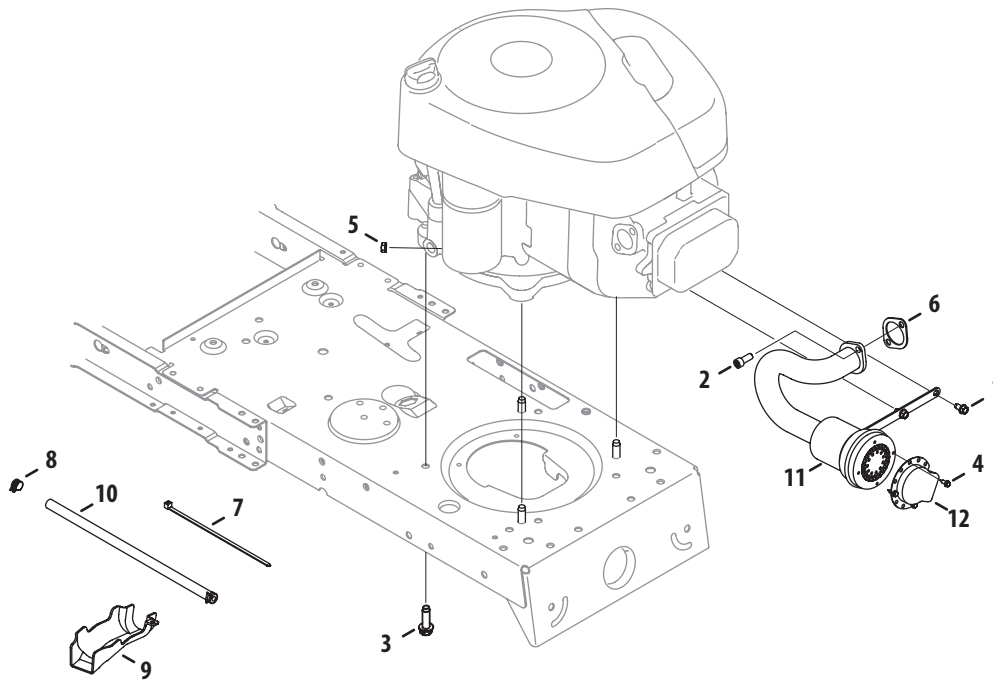
38" Deck



38" Deck

Ref. No.	Part No.	Description	Ref. No.	Part No.	Description
1	918-04474A	5.75" Pulley Spindle Assembly	22	732-04287	Extension Spring, .500 x 6.375
2	683-0254B	LH Deck Hanger Bracket	23	936-0119	Lock Washer, 5/16
3	683-04138B	Deck Brake Assembly	24	736-0270	Bell Washer, .265 x .75 x .062
4	983-04167	Deck Brake Assembly	25	936-0300	Flat Washer, .406 x .875 x .059
5	983-04263	38" Deck Assembly	26	738-04162A	Shoulder Spacer, .8840 x .190
6	710-0347	Hex Screw, 3/8-16 x 1.75	27	738-04166	Shoulder Spacer, .5000 x .1475
7	710-04484	Screw, 5/16-18 x .750	28	942-0610A	3 in 1 Blade
8	710-0528	Hex Screw, 5/16-18 x 1.25	29	747-04322	38" Front Adjust Deck Rod
9	710-0778	Screw, 1/4-20 x 1.50	30	931-1032B	Chute Assembly
10	710-3005	Hex Screw, 3/8-16 x 1.25	31	747-04381	38" Brake Control Rod
11	710-3008	Hex Screw, 5/16-18 x .75	32	748-04069	Deck Lift, Pivot Cup
12	710-3015	Hex Screw, 1/4-20 x .75	33	750-0566A	Spacer, .260 x .375 x 1.030
13	712-04063	Flange Lock Nut, 5/16-18	34	954-04062	V Type Belt
14	712-04065	Flange Lock Nut, 3/8-16	35	756-04129B	Idler Pulley
15	712-0417A	Flange Nut, 5/8-18	36	756-1188	Pul, deck, 5.75 Dia
16	712-04243	Hexlock Nut, 1/2-13	37	783-04602A	Belt Cover
17	712-3006	Hex Nut, 1/4-20	38	783-04740	Deck Engage Cable Bracket
18	914-0104	Cotter Pin, .072 Diameter	39	938-04241	Spindle Shaft, 5.50 Lg
19	917-04074	Deck Adjuster Gear	40	941-0919	Ball Bearing, .787id X 1.85 x .551
20	726-0233	Push Nut, .25 x .50	41	750-04739	Spacer, .820x 1.150 X .480 Lg
21	732-04280B	Extension Spring, .75 x 6.375	42	750-1000	Spacer, .80 X 1.10 X 1.322 Lg

NOTE, Tractor features vary by model. NOT all parts listed above and pictured on the previous page are standard equipment.



Ref. No.	Part No.	DeScription
1	710-0227	Screw, ab, #8-18, 0.500
2	710-04683	Tap Screw, 3/8-16, 1.000
3	710-0599	Tap Screw, 1/4-20, 0.500
4	710-1314A	Screw, Socket Head, 5/16-18, .750
5	712-0271	Sems Nut, 1/4-20
6	BS-692236	Exhaust Gasket, 10 HP B&S #272293
7	725-0157	Cable Tie, 3/16 X .05 X 7.4
8	726-0205	Hose Clamp, .490 Dia.
9	731-05628	Oil Drain Sleeve
10	751-10349	Hose, fuel, low Permeation, 1/4
11	751-9986A	Muffler
12	751B222261	Muffler Deflector

NOTE, Tractor features vary by model. NOT all parts listed and pictured above are standard equipment.

Wiring Harness Schematic - 725-04849A

