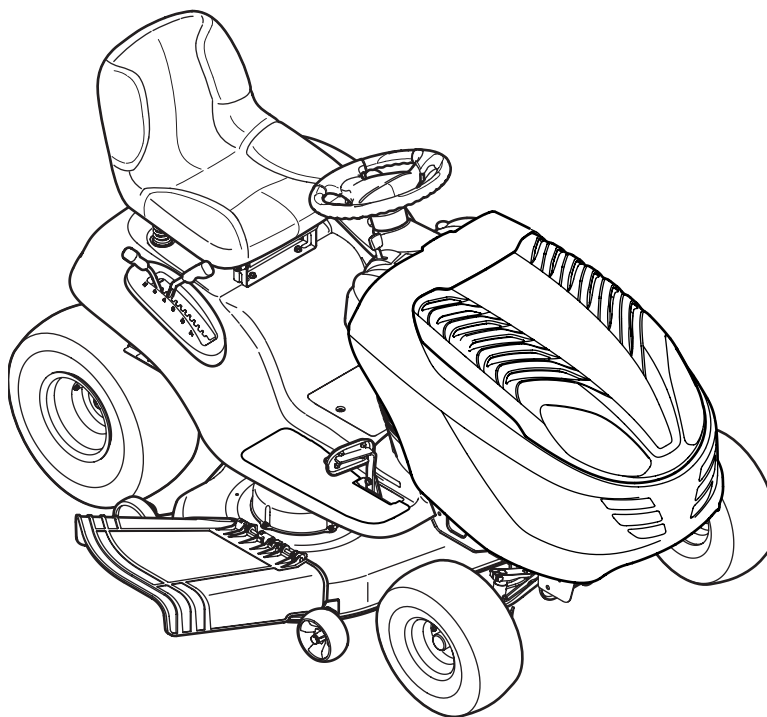

ILLUSTRATED PARTS MANUAL



CVT Lawn Tractor — 900-Series

MTD LLC, P.O. BOX 361131 CLEVELAND, OHIO 44136-0019

To The Owner

Thank you for purchasing an MTD Lawn Tractor. It was carefully engineered to provide excellent performance when properly operated and maintained.

All information in this manual is relative to the most recent product information available at the time of printing. Please be aware that this Illustrated Part's Manual may cover a range of product specifications for various models.

Components listed and/or illustrated in this manual may not be applicable to all models. We reserve the right to change product specifications, designs and equipment without notice and without incurring obligation.

Throughout this manual, all references to *right* (RH) and *left* (LH) are observed from the operating position.

Table of Contents

Axle, Front	4	Deck Lift Handle/Linkage	8
Battery	6	Meter, Systems Indicator	10
Head Lamps	10	Muffler	20
Mower Deck, 42-inch	14	PTO Lever	6
Mower Deck, 46-inch	16	Seat	8
Pedal Controls	13	Solenoid	6
Dash Panel	10	Steering	4
Drive System	12	Switches, Interlock	6
Electrical Schematic	21	Throttle Control	10
Engine Accessories	20	Transmission, Continuously Variable	18
Fender	8	Wheels, Front & Rear	3
Frame	6		
Fuel Tank	10		
Hood	10		

Record Product Information

To ease in ordering replacement parts, please locate the model plate on the equipment and record the information in the provided area to the right. You can locate the model plate by looking beneath the seat.

MODEL NUMBER

--	--	--	--	--	--	--	--	--	--	--

SERIAL NUMBER

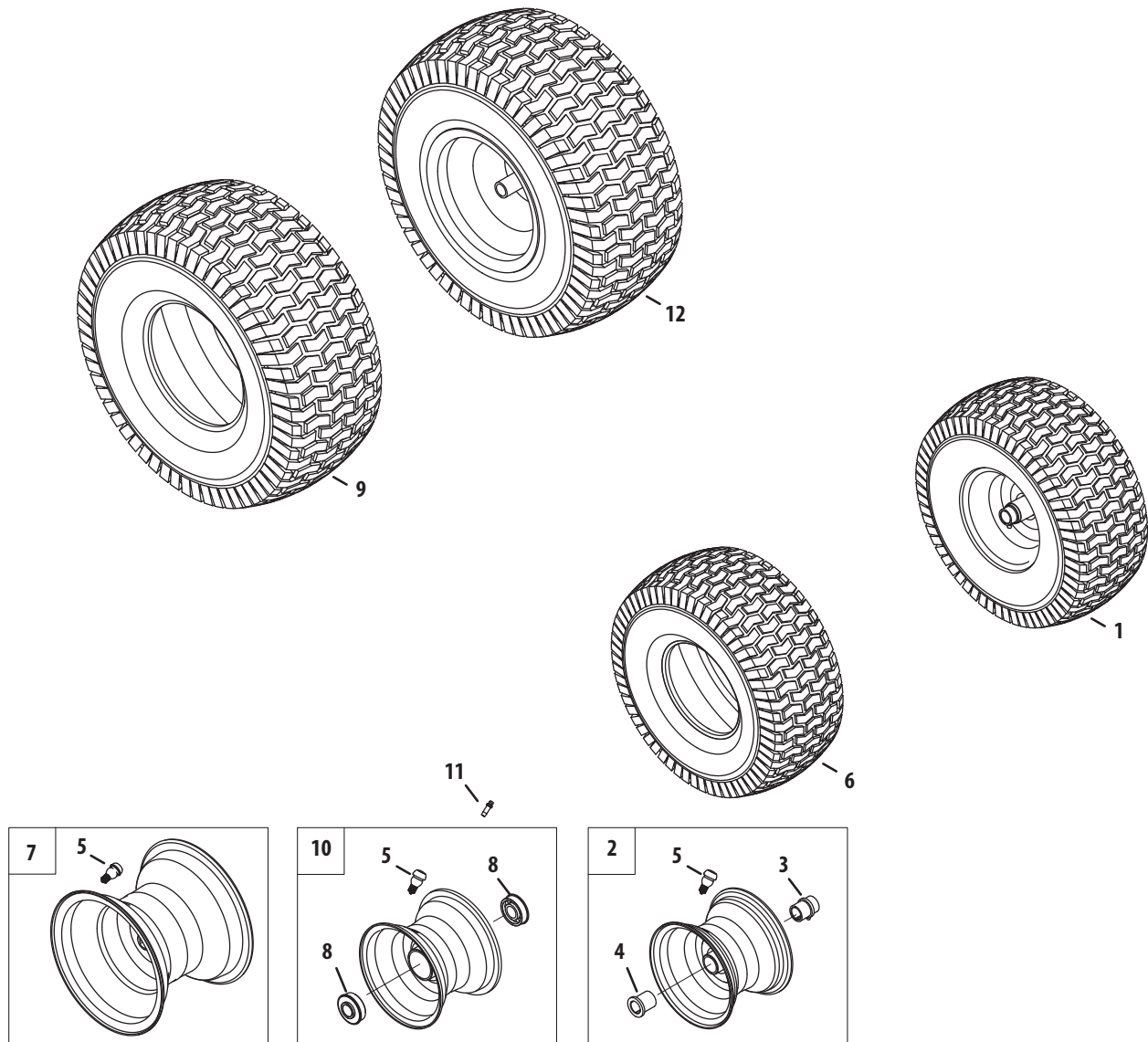
--	--	--	--	--	--	--	--	--	--	--

Painted Parts

When ordering painted service parts, a four digit color suffix must be added to the part number (e.g. 783-XXXXX-0637). Please refer to the table below for current color codes:

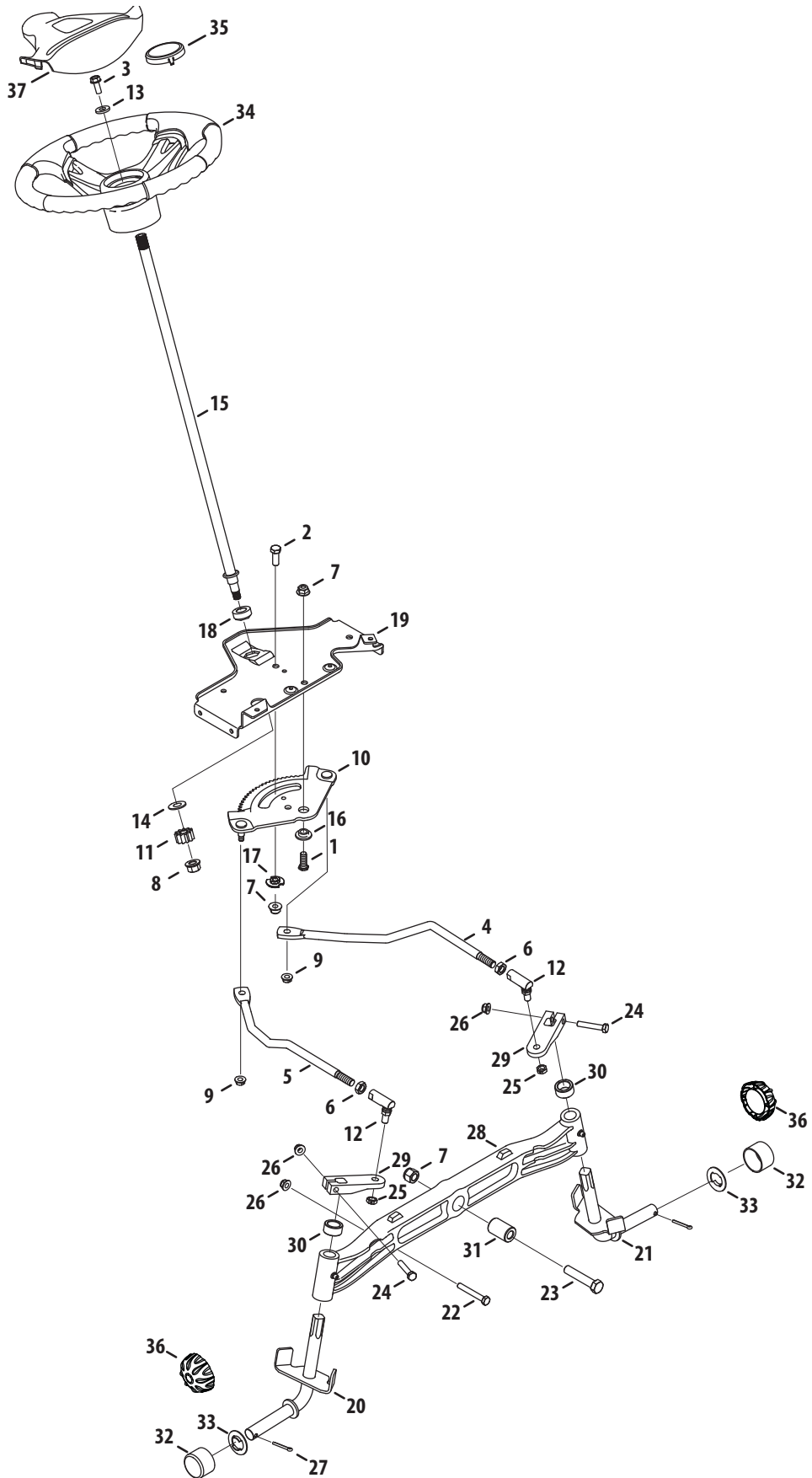
0637	Black	0650	Metallic Red (White Outdoor)
0709	Dark Green (Bolens, Mastercraft, Yard-Man Domestic)	0665	Dark Green (Yard-Man Export)
0662	Oyster Gray (MTD Gold)	0629	Silver Flake (MTD Platinum)
0638	Red (Yard Machines, Huskee, Troy-Bilt, MTD)	04038	Day Orange (Daedong)
0691	Black Jack (MTD Gold, MasterCut)	04033	Flint Mica (Troy-Bilt XP)
0674	Yellow (Yard-Man)		

Front and Rear Wheels



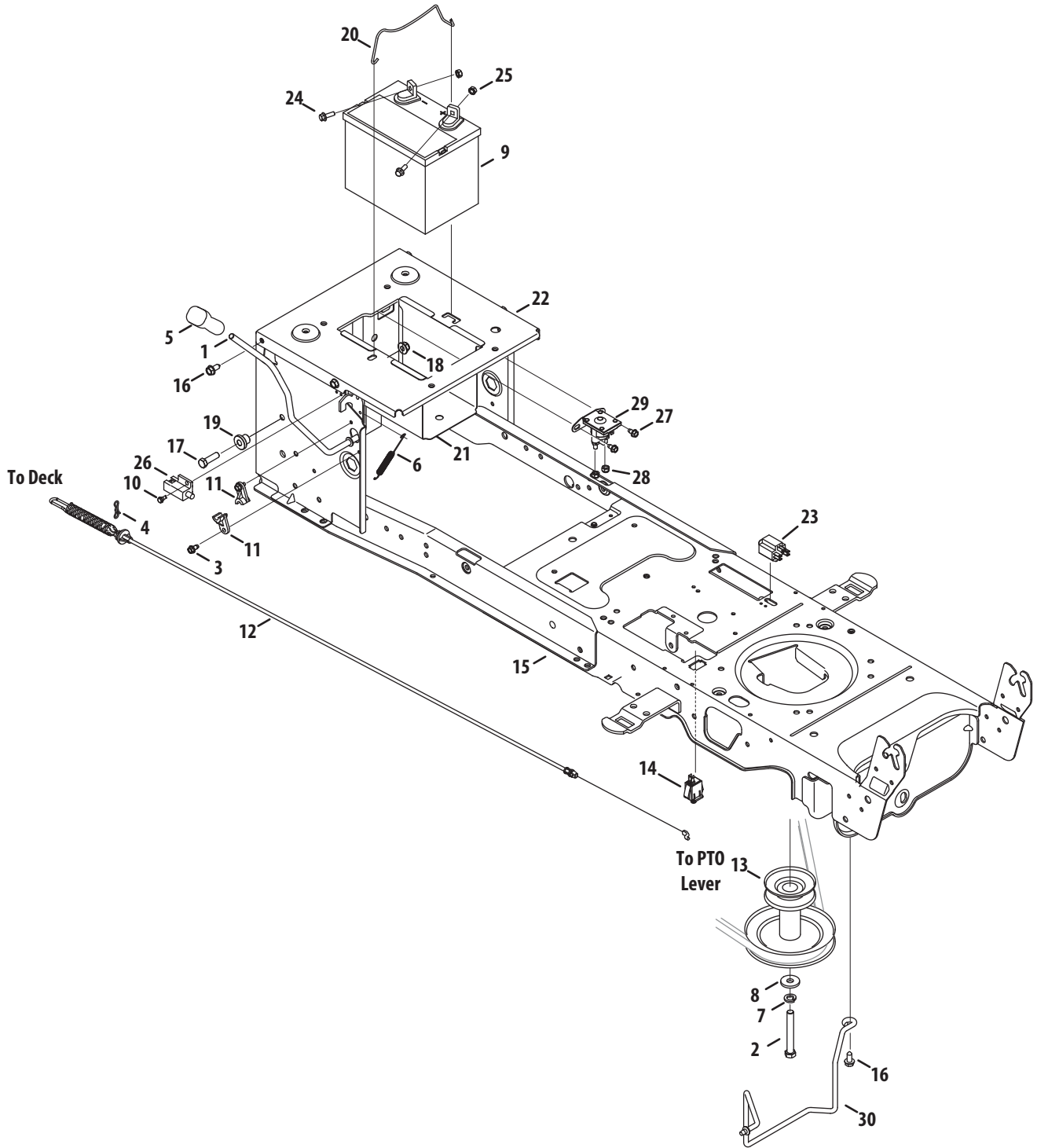
Ref.	Part Number	Description	Ref.	Part Number	Description
1.	634-04406-0911	Wheel Ass'y, Plst Bearings (Gray)	8.	941-04137	Bearing, Ball, .750 ID x 1.750 OD
	634-04199-0911	Wheel Ass'y, Ball Bearings (Gray)	9.	734-1730-0901	Tire, 20 x 8 x 8 Sq Shoulder
	634-04199-0941	Wheel Ass'y, Ball Bearings (Yellow)		734-1873-0901	Tire, 20 x 10 x 8 Sq Shoulder
2.	634-04405-0662	Rim Ass'y, Plastic Bearings (Gray)	10.	934-04091A-0662	Rim Ass'y, Ball Bearings (Gray)
3.	741-0990B	Bearing, Flange, .760 ID w/ Fitting		934-04091A-0674	Rim Ass'y, Ball Bearings (Yellow)
4.	741-0516B	Bearing, Flange, .760 x 1.00 x 1.20	11.	737-0224	Grease Fitting
5.	934-0255	Valve, Tubeless Air	12.	634-0104-0911	Wheel, Complete, 20 x 8 (Gray)
6.	734-1731-0901	Tire, 15 x 6 x 6 Sq Shoulder		634-0104-0941	Wheel, Complete, 20 x 8 (Yellow)
7.	634-04369-0662	Rim Ass'y, 8.0 x 7.0 x .750 (Gray)		634-0177-0911	Wheel, Complete, 20 x 10 (Gray)
	634-04369-0674	Rim Ass'y, 8.0 x 7.0 x .750 (Yellow)		634-0177-0941	Wheel, Complete, 20 x 10 (Yellow)

Steering



Ref.	Part Number	Description
1.	710-04095	Hex Screw, 3/8-16, 1.00, Gr5, Spec
2.	710-0514	Hex Screw, 3/8-16, 1.00, Gr5, Std
3.	710-0643	Hex Screw, 5/16-18, 1.00, Gr5, Lock
4.	711-04998	Link, Drag LH
5.	711-04999	Link, Drag RH
6.	912-0240	Nut, Jam, 7/16-20, Gr2
7.	712-04065	Nut, Flange Lock, 3/8-16, Grf,
8.	712-0459	Nut, Flange Lock, 7/16-20, Grb, Lock
9.	712-3004A	Nut, Flange Lock, 5/16-18, Gr5, Sd Lk
10.	717-1550F	Gear, Steering, 11/90 Ratio
11.	717-1554	Gear, Pinion, Steering
12.	923-0448A	Ball Joint, 7/16-20, Lock
13.	936-3004	Washer, Flat, .406 x .875 x .105
14.	736-3084	Washer, Flat, .51 x 1.12 x .06
15.	738-04263	Shaft, Steering, .625 OD x 24.25
16.	738-04363	Spacer, Shoulder, .385x 1.25 x .3025
17.	738-04364B	Spacer, .38 x 1.375, Special
18.	741-04237B	Bearing, Flange, Hex 5/8 Pm
19.	783-06043	Bracket, Support, Steering
20.	938-04034	Axle Ass'y, RH .750 Dia (46"/50" Deck)
	638-04032	Axle Ass'y, RH .750 Dia (42" Deck)
21.	638-04035P	Axle Ass'y, LH .750 Dia (46"/50" Deck)
	638-04033	Axle Ass'y, LH .750 Dia (42" Deck)
22.	710-0395	Hex Screw, 5/16-18, 2.25, Gr5, Std
23.	710-0859	Hex Screw, 3/8-16, 2.50, Gr5, Std
24.	710-3180	Hex Screw, 5/16-18, 1.75, Gr5, Std
25.	912-0214	Nut, Hex Lock, 3/8-24, Grb
26.	712-04063	Nut, Flange Lock, 5/16-18, Grf
27.	714-0162	Pin, Cotter, 5/32, 1.25
28.	719-04413A	Axle, Pivot Bar, Cast
29.	748-04065	Steering, Block
30.	748-04068	Spacer, .71 ID x .125 OD x .56
31.	750-05280	Spacer, .385 x 1.00 x 1.5075
32.	731-05674	Cap, Bumper
33.	736-04228A	Washer, Flat, .350 x 1.559 x .062
34.	631-04028	Wheel, Steering, 3 Spoke
	631-04008A	Wheel, Steering, 3 Spoke, Softgrip
35.	731-04039	Cap, No Sprig, Small
	731-04040	Cap, Sprig, Small
36.	731-2290A	Cap, Hub
37.	731-04065A	Cover, Wheel

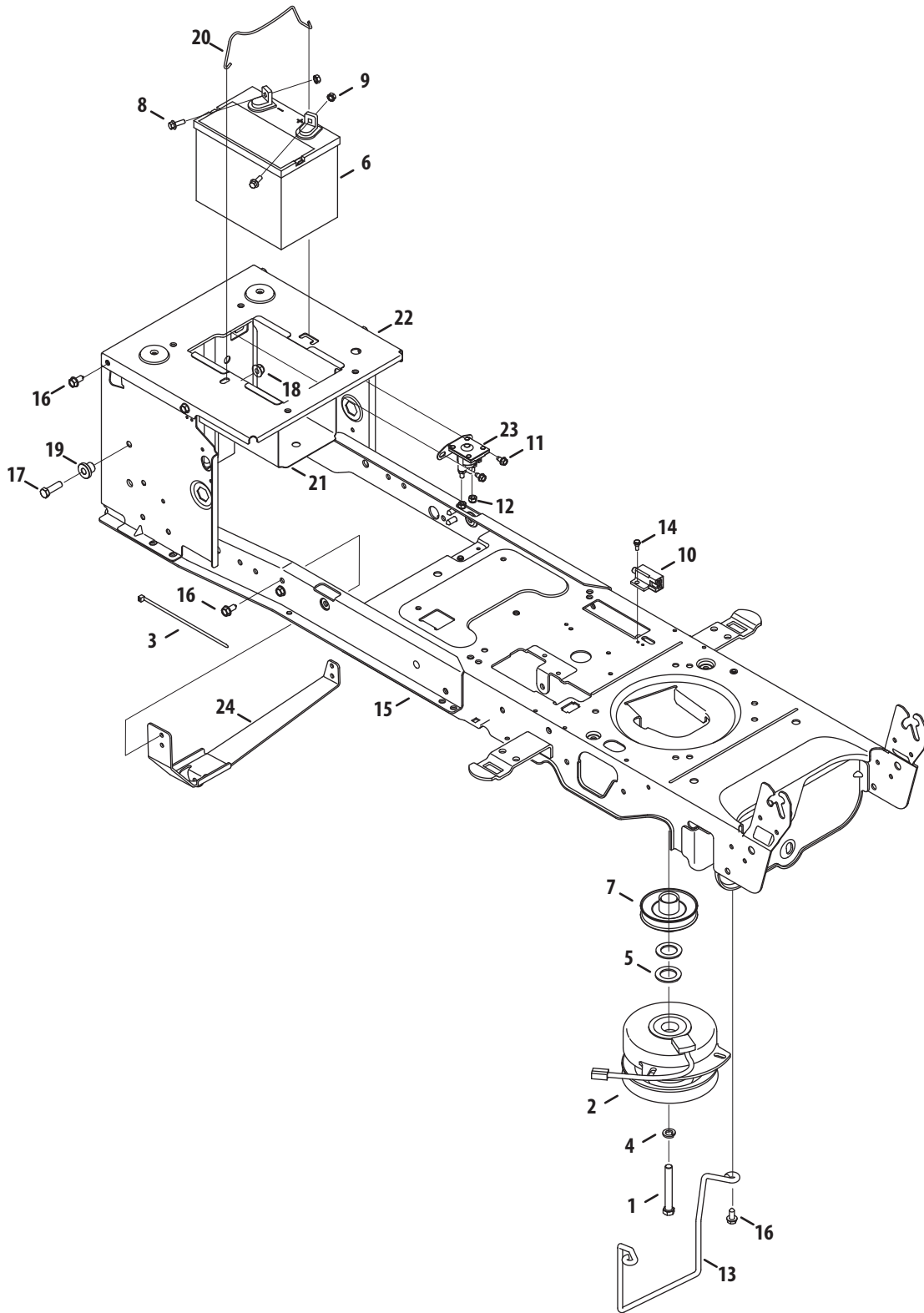
Frame, Electrical and Manual PTO



Frame, Electrical and Manual PTO

Ref.	Part Number	Description
1.	647-04151	Handle Ass'y, PTO
2.	710-04876	Hex Screw, 7/16-20, 3.50, Gr5
3.	710-0599	Screw, Self-tapping, 1/4-20, 0.50
4.	714-04040	Pin, Cotter, Bow-Tie 72
5.	720-04049A	Grip, Handle, 3/8
6.	732-0932	Spring, Ext, .38 Dia x 5.6
7.	936-0171	Washer, Lock, 7/16, Regular Duty
8.	736-0322	Washer, Flat, .450 x 1.250 x .164
9.	925-1707D	Battery
10.	738-04237A	Screw, Shoulder, #10-32, .500
11.	741-04119A	Bearing, PTO
12.	946-04618	Cable, Engag, Deck
13.	756-04196A	Pulley, Engine, 3.39 x 6.12 Dia.
14.	725-04807	Switch, Plunger, Snap Mount
15.	683-04469A	Frame Ass'y, Lower
16.	710-04484	Screw, Self-tapping, 5/16-18, .750,
17.	710-3005	Hex Screw, 3/8-16, 1.25, Gr5, Std
18.	712-04065	Nut, Flange Lock, 3/8-16, Grf,
19.	738-04058	Spacer, Shoulder, .38 x 1.0 x .70
20.	747-04121A	Rod, Battery
21.	783-0349	Tray, Battery
22.	783-06089	Bracket, Frame, Seat
23.	725-04232	Switch, 3-Pole
24.	710-04666	Hex Flange Screw, 1/4-20, .75, Gr5
25.	712-0271	Nut, Sems, 1/4-20
26.	725-04363	Switch, Interlock
27.	710-0653	Screw, Self-tapping, 1/4-20, 0.375,
28.	712-04064	Nut, Flange Lock, 1/4-20, Grf,
29.	725-04439	Solenoid, 12V, 100 Amp, 4 term
30.	747-05171	Rod, Keeper
—	925-04105	Wire Harness, Main

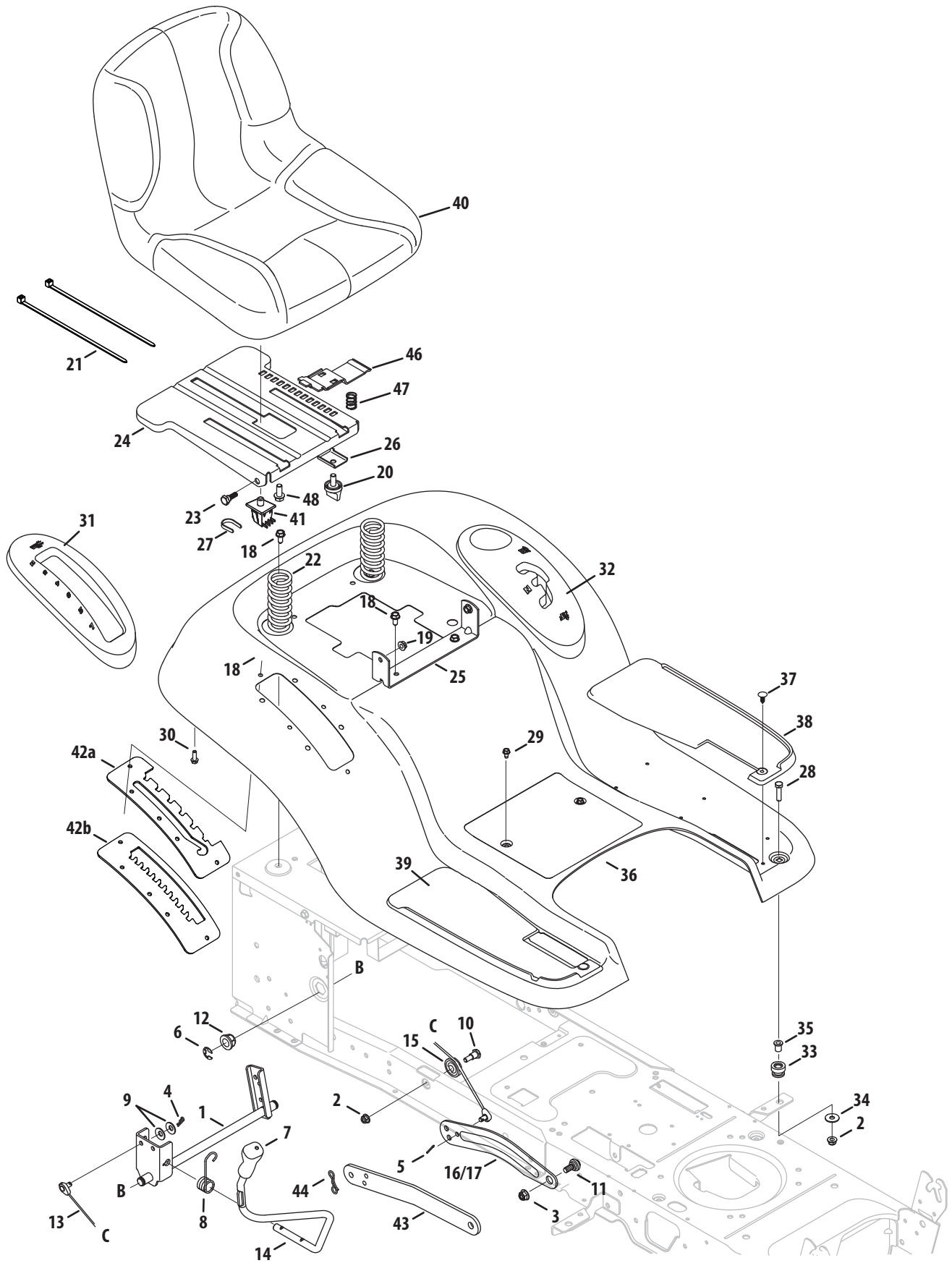
Frame, Electrical and Electric PTO



Frame, Electrical and Electric PTO

Ref.	Part Number	Description
1.	710-04379A	Hex Screw, 7/16-20, 3.50, Gr5, Lock
2.	917-04163A	Clutch, Electric PTO (42"/46")
	917-04174A	Clutch, Electric PTO (50")
3.	725-0157	Cable, Tie, 3/16 X .05 X 7.4
4.	736-0171	Washer, Lock, 7/16 , Regular Duty
5.	736-0277	Washer, Flat, 1.031 X1.620 X.095
6.	925-1707D	Battery
7.	756-0978B	Engine Pulley, Electric PTO
8.	710-04666	Hex Flange Screw, 1/4-20, .75, Gr5
9.	712-0271	Nut, Sems, 1/4-20
10.	725-04363	Switch, Interlock
11.	710-0653	Screw, Self-tapping, 1/4-20, 0.375
12.	712-04064	Nut, Flange Lock, 1/4-20, Nylon
13.	747-05171	Rod, Keeper (42"/46")
	747-05195	Rod, Keeper (50")
14.	738-04237A	Screw, Shoulder, #10-32, .50
15.	683-04469A	Frame Assembly, Lower
16.	710-04484	Screw, Self-tapping, 5/16-18, .750
17.	710-3005	Hex Screw, 3/8-16, 1.25, Gr5, Std
18.	712-04065	Nut, Flange Lock, 3/8-16, Nylon
19.	738-04058	Spacer, Shoulder, .38 X 1.0 X .70
20.	747-04121A	Rod, Battery
21.	783-0349	Tray, Battery
22.	783-06089	Bracket, Frame, Seat
23.	725-04439	Solenoid, 12V, 100 Amp, 4 term
24.	783-06312	Stabilizer Bracket (used w/ 50" deck)
—	925-04104	Harness Assembly, Main (Ammeter)
—	925-04091	Harness Assembly, Main (Hour Meter)

Seat, Fender and Lift

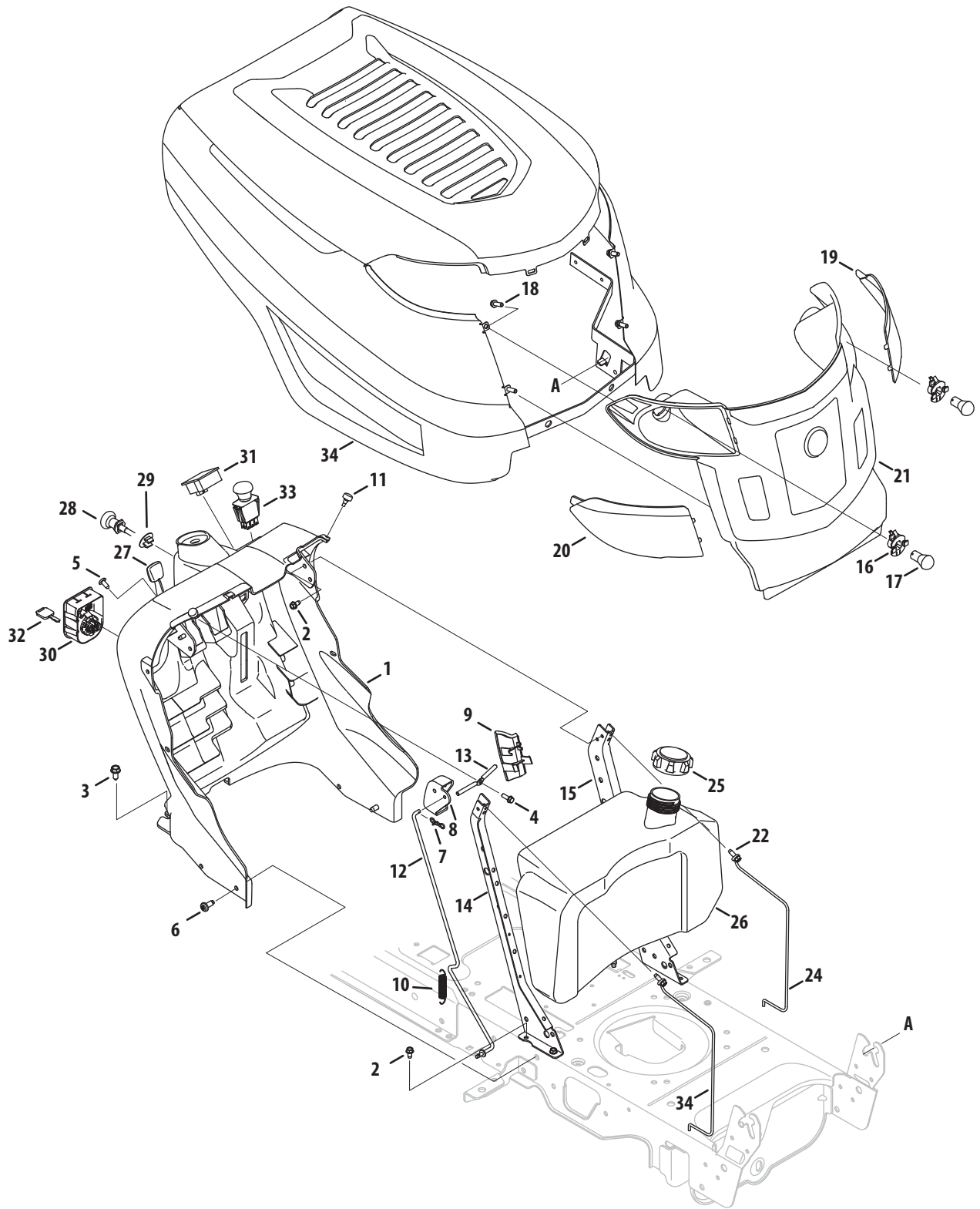


Seat, Fender and Lift

Ref.	Part Number	Description	Ref.	Part Number	Description
1.	683-04223	Shaft Ass'y, Lift	27.	783-06448	Clip, Retaining, Switch
2.	712-04063	Nut, Flange Lock, 5/16-18, Grf	28.	710-0528	Hex Screw, 5/16-18, 1.25, Gr5, Std
3.	712-04065	Nut, Flange Lock, 3/8-16, Grf	29.	710-0599	Screw, Self-tapping, 1/4-20, 0.500,
4.	914-0104	Pin, Cotter, .072 Dia. x 1.13	30.	710-0895	Screw, HL, 1/4-15, 0.750,
5.	714-04040	Pin, Cotter, Bow-Tie 72	31.	731-06795	Cover, Lift Lever
6.	716-0106A	Ring, E Type, .625 Dia. Shaft	32.	931-2104C	Cover, Shaft, w/ Cup Holder
7.	720-0311	Grip, Handle, 1/2	33.	735-0690	Grommet, .4375 ID x .750
8.	732-0874	Spring, Torsion	34.	736-3078	Washer, Flat .344 x 1.00 x .063
9.	736-0105	Washer, Spring, .401 x .870 x .063	35.	750-3310	Spacer, Flange, .3125 x .4375 x .625
10.	738-0138A	Screw, Shoulder, .437 x .470, 5/16-18	36.	783-06259	Fender
11.	738-04130	Bolt, Shoulder, .625, 3/8-16 (42")	37.	726-3046	Clip, Ratchet, .250 Dia
	938-0380	Bolt, Shoulder, .500, 3/8-16 (46"/50")	38.	735-04138	Pad, Foot, LH
12.	941-0225	Bearing, Hex Flange	39.	735-04158	Pad, Foot, RH
13.	746-0968	Cable, Lift, 16.16	40.	757-04087	Seat, High Back, Yellow
14.	747-04962A	Handle, Lift,		757-04086	Seat, High Back, Black
15.	756-04331	Pulley, Roller, Cable		757-04082	Sear, Medium Back, Yellow
16.	783-04494C	Arm, Lift, 42" Rt RH		757-04081	Sear, Medium Back, Black
17.	783-04711C	Arm, Lift, 42" Rt LH	41.	925-05013	Switch, Seat
18.	710-04484	Screw, Self-tapping, 5/16-18, .750,	42.	783-06443	Bracket, Lift, Man PTO, 6 Pos
19.	712-3004A	Nut, Flange Lock, 5/16-18, Gr5, Sd Lk		783-06181	Bracket, Lift, Elect PTO
20.	720-04061	Knob, 3/8-16, .875	43.	783-05546A	Link, Lift (46"/50" Decks)
21.	725-0157	Cable, Tie, 3/16 x .05 x 7.4	44.	714-04040	Pin, Cotter, Bow-Tie 72 (46" Decks)
22.	732-04561	Spring, Compr, 1.71 x 3.735 x .238	45.	732-04563	Compression Spring, Lever Adj
23.	938-0296	Screw, Shoulder, .437 x .268, 5/16-18	46.	783-06050	Adjustment Lever, Lever Adj.
24.	783-06049	Bracket, Mounting, Seat	47.	710-04482	Hex Flange Screw, 3/8-16, .875 Lever Adj.
25.	783-06088	Bracket, Pivot, Seat			
26.	783-06266	Bracket, Knob Adjustment Seat			

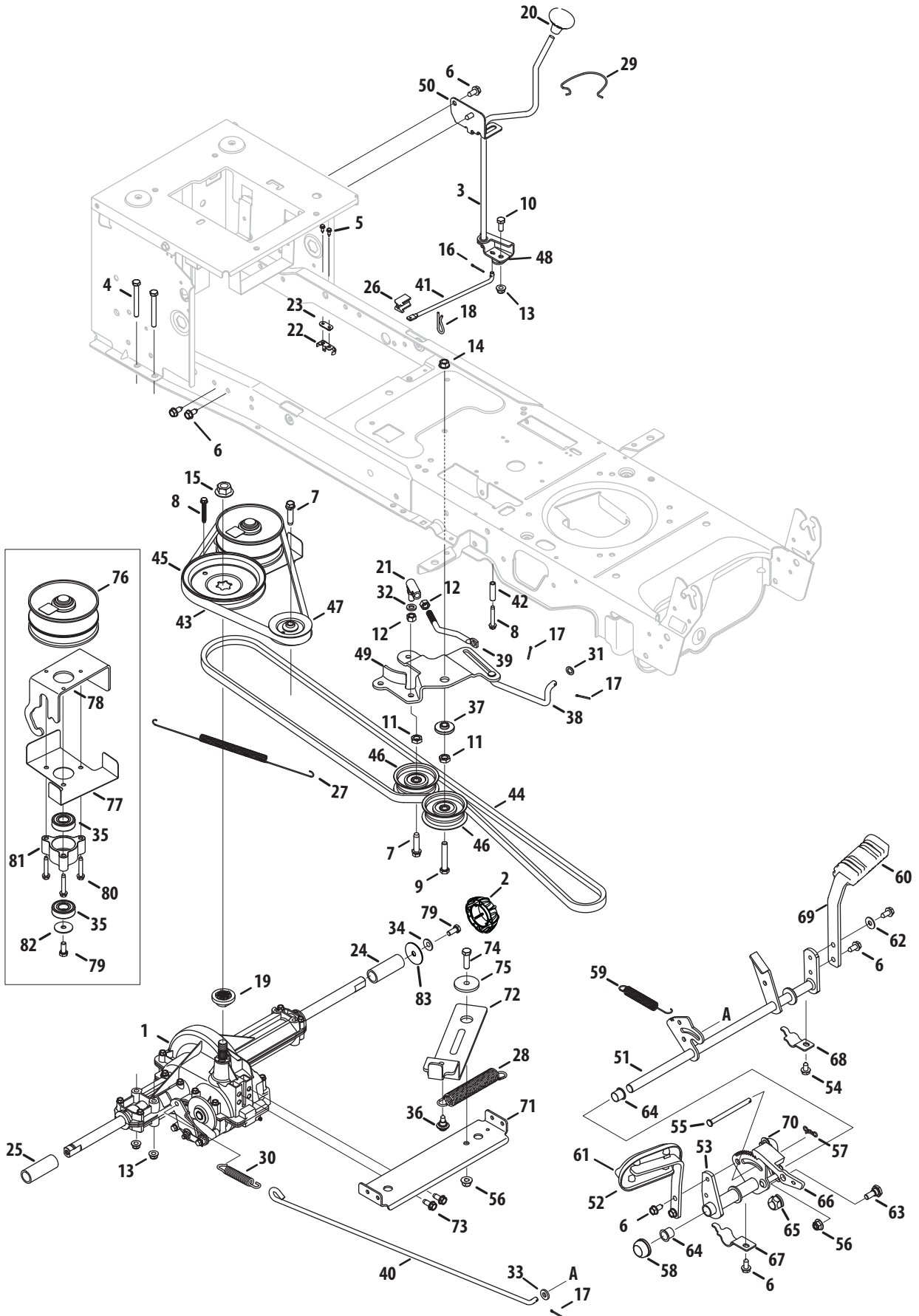
Ref.	Part Number	Description
1.	631-04353P	Lever, Dash, Y/G Style
2.	710-04484	Screw, Self-tapping, 5/16-18, .750,
3.	710-0599	Screw, Self-tapping, 1/4-20, 0.500
4.	710-0607	Screw, Self-tapping,, 5/16-18, 0.500
5.	710-0895	Screw, HL, 1/4-15, 0.750
6.	710-1017	Screw, Ab, 1/4-14, 0.625
7.	710-1611B	Screw, Self-tapping, 5/16-18, 0.750
8.	714-04040	Pin, Cotter, Bow-Tie 72
9.	931-06495	Panel, Dash, Man PTO
	931-06621	Panel, Dash, Electric PTO
10.	731-06643	Cover, Cruise, Y/G Style
11.	731-07042	Cap, Light Switch Null
12.	747-05008	Rod, Control, Latch
13.	747-1155	Rod, Lever, Brake/Cruise Pivot
14.	783-04285F	Support, Dash, Plate, RH
15.	783-04323F	Support, Dash, Plate LH
16.	931-06560	Hood, Upper, G-Style (Gray)
17.	931-04307	Hood, Upper, Y-Style (Yellow)
	931-07703	Hood, Upper, Y-Style (Gray)
18.	710-05108	Screw, Bos, 1/4 Dia, .750,
19.	926-0154	Tie, Cable, Push Mount 7.5
20.	931-06473	Hood, Side Tank, Y-Style (Yellow)
	931-06538	Hood, Side Tank, Y-Style (Gray)
21.	738-04091A	Screw, Shoulder, .43x.29, 5/16-18
22.	783-04606C	Bracket, Pivot, Hood
23.	783-06117	Bracket, Support, Hood
24.	747-05049	Rod, Support, RH Tank
25.	747-05050	Rod, Support, LH Tank
26.	751-0603A	Cap, Fuel
27.	951-10573	Tank, Fuel, 2.75 Gal
28.	931-06540	Lens, Y-Style, LH
29.	931-06539	Lens, Y-Style, RH
30.	931-06564	Lens, Hood, G-Style
31.	925-1649	Socket, Lamp
32.	925-0963	Lamp, 12v
33.	731-1999	Plug, Choke (Single Cyl)
34.	925-04227B	Module Switch, Ignition
35.	746-04364	Cable, Throttle/Choke
36.	925-04036C	Meter, Indicator (Hour)
	925-04156	Ammeter, Indicator
37.	925-1745A	Key, Ignition

Fuel Tank, K Hood and Dash



Ref.	Part Number	Description
1.	731-06168	Dash Assembly, K-Style, Elect PTO
2.	710-0599	Screw, Self-tapping, 1/4-20, 0.500
3.	710-0607	Screw, Self-tapping,, 5/16-18, 0.500
4.	710-0895	Screw, HL, 1/4-15, 0.750
5.	710-1017	Screw, Ab, 1/4-14, 0.625
6.	710-1611B	Screw, Self-tapping, 5/16-18, 0.750
7.	714-04040	Pin, Cotter, Bow-Tie 72
8.	731-06639	Lever, Dash, K Style
9.	731-06642	Cover, Cruise
10.	732-04580	Spring, Extension, .500 Dia X 2.733
11.	735-0271A	Bumper, .62 Dia X .3
12.	747-05008	Rod, Control, Latch
13.	747-1196	Rod, Lever, Bent
14.	783-04285F	Support, Dash, Plate, RH
15.	783-04323F	Support, Dash, Plate LH
16.	925-1649	Socket, Lamp
17.	925-0963	Lamp, 12v
18.	710-05108	Hex Screw, 1/4, .75
19.	731-06095	Lens, LH
20.	731-06096	Lens, RH
21.	931-06796	Grille, K-Style (no Troy-Bilt)
	631-04272	Grille, K-Style (Troy-Bilt)
22.	710-0642	Screw, Self-tapping, 1/4-20, 0.750,
23.	747-04161	Support Rod, Tank
24.	747-04946	Support Rod, Tank
25.	751-0603A	Cap, Fuel
26.	751-10609	Tank, Fuel, 2.5 Gal.
27.	746-04364	Cable, Throttle/Choke (Single Cyl)
	946-04417	Cable, Throttle (Kohler Twin)
28.	746-1085A	Choke Control (Kohler Twin)
29.	731-1999	Plug, Choke (Single Cyl)
30.	925-04227B	Module Switch, Ignition
31.	925-04036C	Meter, Indicator (Hour)
	925-04156	Ammeter, Indicator
32.	925-1745A	Key, Ignition
33.	925-1752	PTO Switch
34.	683-04441	Hood, K-Style

Drive System



Ref.	Part Number	Description
1.	918-04566	Transaxle Ass'y
2.	731-2290A	Cap, Hub
3.	647-04035	Lever Ass'y, Shift
4.	710-0176	Hex Screw, 5/16-18, 2.75, Gr5, Std
5.	710-0227	Screw, Ab, #8-18, 0.500,
6.	710-04484	Screw, Self-tapping, 5/16-18, .750,
7.	710-1007	Screw, Sems, 3/8-16, 1.500
8.	710-1026	Screw, Self-tapping, 1/4-20, 1.750,
9.	710-3011	Hex Screw, 3/8-16, 2.25, Gr5, Std
10.	710-3025	Hex Screw, 5/16-18, .625, Gr5, Std
11.	912-0240	Nut, Jam, 7/16-20, Gr2
12.	712-0241	Nut, Hex, 3/8-24, Gr5
13.	712-04063	Nut, Flange Lock, 5/16-18, Grf
14.	912-0431	Nut, Flange Lock, 3/8-16, Grf
15.	712-0700	Nut, Flange, 9/16-18, Gr2
16.	914-0104	Pin, Cotter, .072 Dia. x 1.13
17.	914-0111	Pin, Cotter, 3/32, 1.0
18.	914-0209	Pin, Cotter Internal, .125 Dia
19.	718-04407	Hub, Pulley, 5/8 Spline
20.	720-04028	Knob, Shift
21.	923-3018	Ball, Joint
22.	725-1644	Switch, Spring, Short
23.	926-0320	Plate, Insulator Nut
24.	731-04602	Slev, .758 x .821 x 3.3125
25.	731-04604	Slev, .758 x .821 x 2.4375
26.	731-06894	Bearing, Shift Plate
27.	732-04612	Spring, Extension, .70 Dia x 12.00
28.	732-04616	Spring, Extension, .97 OD x 6.18
29.	732-0525	Clip, Spring, Shifter
30.	732-0716D	Spring, Extension, .59 OD x 4.00
31.	936-0140	Washer, Flat, .385 x .62 x .063
32.	936-0169	Washer, Lock, 3/8, Regular Duty
33.	936-3008	Washer, Flat, .344 x .750 x .120
34.	736-0242	Washer, Bell, .340 x .872 x .060
35.	941-0600	Bearing, Ball, 17x40x12, 6203, Ds
36.	738-04091A	Screw, Shoulder, .43x.29, 5/16-18
37.	738-04420	Spacer, Shoulder, 1.375 x .380 x .183
38.	747-04957A	Rod, Footpedal Bypass
39.	747-04959A	Rod, Adjustment, Idler, 3/8
40.	747-04984	Rod, Brake
41.	747-05109	Rod, Shift,
42.	750-04456	Spacer, .260 x .372 x 1.420

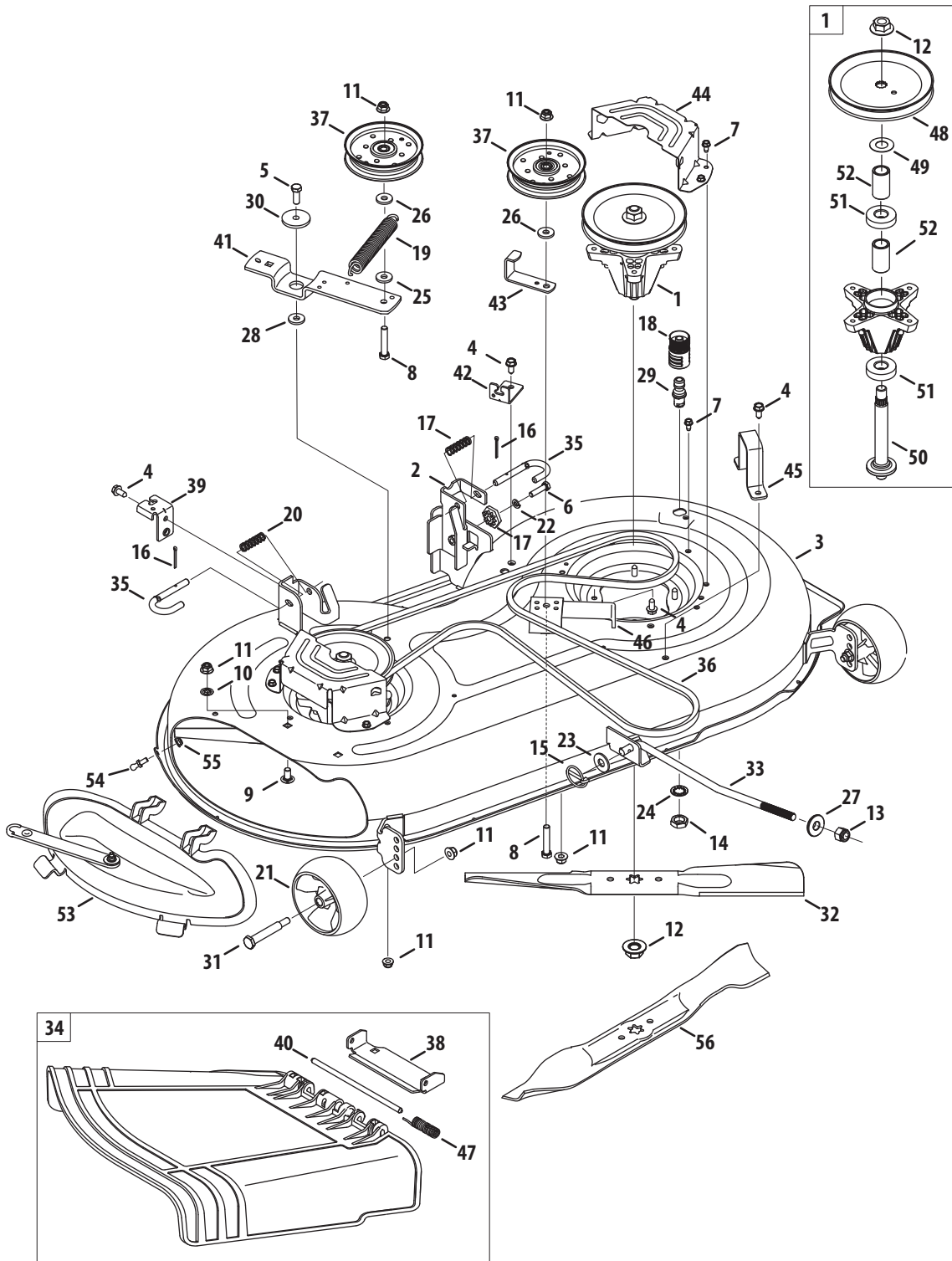
Ref.	Part Number	Description
43.	954-04208	Belt, V-Type, Poly
44.	954-0467A	Belt, V-Type, Poly
45.	956-04002	Pulley, V-Type, 7.25 Dia Spun
46.	756-04224	Pulley, Idler, Flat 2.75 OD
47.	756-04325	Pulley, Idler, V-Type x 3.06
48.	783-04595A	Bracket, Shift, Adjustment
49.	783-06027A	Bracket, Idler, Center Double
50.	783-06132	Bracket, Shift, F-N-R
51.	647-04152A	Control Ass'y, Brake
52.	683-0266	Ped Ass'y, Control, Auto Drive
53.	683-04489	Bracket Ass'y, Pedal
54.	710-0604A	Screw, Self-tapping, 5/16-18, 0.625,
55.	711-05068	Pin, Clevis, 5/16 x 3.985
56.	712-04065	Nut, Flange Lock, 3/8-16, Grf,
57.	714-04040	Pin, Cotter, Bow-Tie 72
58.	726-0214	Cap, Push 5/8
59.	732-04587	Spring, Extension, .63 Dia x 4.95
60.	735-04136	Pad, Pedal, Brake
61.	735-0662	Pad, Control
62.	736-0242	Washer, Bell, .340 x .872 x .060
63.	938-0380	Bolt, Shoulder, .500 x .270, 3/8-16
64.	741-0495	Bearing, Flange
65.	741-3065B	Bearing, Hex Flange, .628 ID, Split
66.	748-04203	Latch, Cruise
67.	783-05914	Bracket, Support, Pedal Strap
68.	783-05940	Bracket, Support, Pedal Strap 5/8
69.	783-06103A	Bracket, Ped, Brake
70.	783-06278	Plate, Bracket, Reinforcement
71.	683-04520	Bracket Ass'y, Transmission
72.	683-04521	Bracket Ass'y, Idler
73.	710-1260A	Screw, Self-tapping, 5/16-18, 0.750,
74.	710-3005	Hex Screw, 3/8-16, 1.25, Gr5, Std
75.	738-04162A	Spacer, Shoulder, .8840 x .190
76.	956-04015A	Pulley Ass'y, Var Spd, 4.75 OD
77.	683-04522	Kepr Ass'y, Belt
78.	683-04523	Bracket Ass'y, Variable
79.	710-0627	Hex Screw, 5/16-24, .750, Gr5, Lock
80.	710-0778	Screw, Self-tapping, 1/4-20, 1.500,
81.	718-04261	Cup, Bearing
82.	736-0362	Washer, Flat, .330 x 1.25 x .06,
83.	736-0430	Washer, Flat, .350 x 1.59 x .062

42-inch Deck (Manual PTO)

Ref.	Part Number	Description
1.	918-04822A	Spindle Ass'y, Pulley, 6.3 Dia
2.	683-0254B	Bracket Ass'y, Deck, Hanger LH
3.	983-04511	Brake Ass'y, Deck, 42/46
4.	983-04525	Brake Ass'y, Deck, 46"
5.	983-04572	Deck Ass'y, Offset, 42"
6.	710-04484	Screw, Self-tapping, 5/16-18, .750,
7.	710-0514	Hex Screw, 3/8-16, 1.00, Gr5, Std
8.	710-0528	Hex Screw, 5/16-18, 1.25, Gr5, Std
9.	710-0599	Screw, Self-tapping, 1/4-20, 0.500,
10.	710-0778	Screw, Self-tapping, 1/4-20, 1.500,
11.	710-0809	Screw, Self-tapping, 1/4-20, 1.250,
12.	710-3144	Hex Screw, 3/8-16, 2.00, Gr5, Std
13.	710-3178	Bolt, Carriage, 3/8-16, 0.75, Gr1
14.	712-0229	Nut, Push, 3/8
15.	712-04063	Nut, Flange Lock, 5/16-18, Grf,
16.	712-04065	Nut, Flange Lock, 3/8-16, Grf,
17.	712-0417A	Nut, Flange, 5/8-18
18.	712-04243	Nut, Lock, 1/2-13
19.	912-0641	Nut, Hex, M16-1.5
20.	753-04070	Pin, Lynch, .1875
21.	914-0470	Pin, Cotter, 1/8 x 1.25
22.	917-04074	Gear, Deck, Adjustment
23.	932-0384	Spring, Extension, .62 Dia x 6.12
24.	732-04652	Spring, Comp, .535 OD x 1.751
25.	732-04727	Spring, Torsion, .992 I.D x 1.17 O.D
26.	734-04155	Wheel, Deck, 5.0 Dia Ball
27.	936-0119	Washer, Lock, 5/16, Regular Duty
28.	936-0176	Washer, Flat, .265 x .938 x .120
29.	936-0179	Washer, Flat, .531 x 1.25 x .100
30.	736-0187	Washer, Flat, .64 x 1.24 x .06,
31.	736-0225	Washer, Lock, 5/8, Int Tooth
32.	736-0262	Washer, Flat, .385 x .870 x .092

Ref.	Part Number	Description
33.	736-0317	Washer, Bell, .63 x 1.25 x .18
34.	736-0362	Washer, Flat, .330 x 1.25 x .06,
35.	738-04146	Plug, Bolt, M16 x 1.5
36.	738-04162A	Spacer, Shoulder, .8840 x .190
37.	738-04166	Spacer, Shoulder, .5000 x .1475
38.	938-3056	Bolt, Shoulder, .496 x 2.50, 3/8-16
39.	942-04308	Blade, Cut, 21.23" 2-In-1, Econ
40.	747-04530	Rod, Keepr, Belt 42 Idler
41.	747-04944B	Rod, Lift, Deck, Frt, 13.7
42.	747-05105	Rod, Control, Brake 42"
43.	931-04293	Chute Ass'y, Deflector 42" Offset
44.	747-1116	Rod, Handle, Deck Rel .375 Dia
45.	750-0258	Spacer, .315 x .750 x .375
46.	750-0566A	Spacer, .260 x .375 x 1.030
47.	954-04060B	Belt, V Type, A Sec x 96.5
48.	756-04129B	Pulley, Idler, 4.25" Dia
49.	711-04847A	Pin, Hinge, Dia .3125 x 7.96
50.	783-04740	Bracket, Cable, Deck Engage
51.	732-04372	Spring, Torsion, .44 I.D. x 2.0
52.	783-05946	Bracket, Idler, Pivot, 46
53.	783-06243	Bracket, Cable, Deck Engage
54.	783-06368	Bracket, Guard, Belt, 4.25 Pulley
55.	783-06424A	Cover, Belt, Deck, 42
56.	783-06632	Stop, LH, 42 Deck
57.	783-06643	Bracket, Support, Stationary Idler
58.	712-0417A	Nut, Flange, 5/8-18
59.	936-0351	Washer, Flat, .760 I.D x 1.50 OD
60.	738-1186A	Shift, Spindle, 6.11.
61.	941-0919	Bearing, Ball, .787id x 1.85 Odx.551
62.	750-04936	Spacer, .792 x 1.060 x 1.860
63.	956-1227	Pulley, Deck, 6.3 Dia
64.	783-05823	Bkrt, Chute, 42/46

42-inch Deck (Electric PTO)



42-inch Deck (Electric PTO)

Ref.	Part Number	Description
1.	918-04822A	Spindle Ass'y, Pulley, 6.3 Dia
2.	683-0254B	Bracket Ass'y, Deck, Hanger LH
3.	983-04572	Deck Ass'y, Offset, 42"
4.	710-04484	Screw, Self-tapping, 5/16-18, .750,
5.	710-0514	Hex Screw, 3/8-16, 1.00, Gr5, Std
6.	710-0528	Hex Screw, 5/16-18, 1.25, Gr5, Std
7.	710-0599	Screw, Self-tapping, 1/4-20, 0.500,
8.	710-3144	Hex Screw, 3/8-16, 2.00, Gr5, Std
9.	710-3178	Bolt, Carriage, 3/8-16, 0.75, Gr1
10.	712-0229	Nut, Push, 3/8
11.	712-04065	Nut, Flange Lock, 3/8-16, Grf,
12.	712-0417A	Nut, Flange, 5/8-18
13.	712-04243	Nut, Lock, 1/2-13
14.	912-0641	Nut, Hex, M16-1.5
15.	753-04070	Pin, Lynch, .1875
16.	914-0470	Pin, Cotter, 1/8 x 1.25
17.	917-04074	Gear, Deck, Adjustment
18.	921-04041	Adapter, Water Port
19.	732-0459C	Spring, Extension, .94 Dia x 6.74
20.	732-04652	Spring, Comp, .535 OD x 1.751
21.	734-04155	Wheel, Deck, 5.0 Dia Ball
22.	936-0119	Washer, Lock, 5/16, Regular Duty
23.	936-0179	Washer, Flat, .531 x 1.25 x .100
24.	736-0225	Washer, Lock, 5/8, Int Tooth
25.	736-0258	Washer, Flat, .385 x 1.0 x .135
26.	736-0262	Washer, Flat, .385 x .870 x .092
27.	736-0317	Washer, Bell, .63 x 1.25 x .18
28.	736-0344	Washer, Flat, .385 x 1.0 x .030

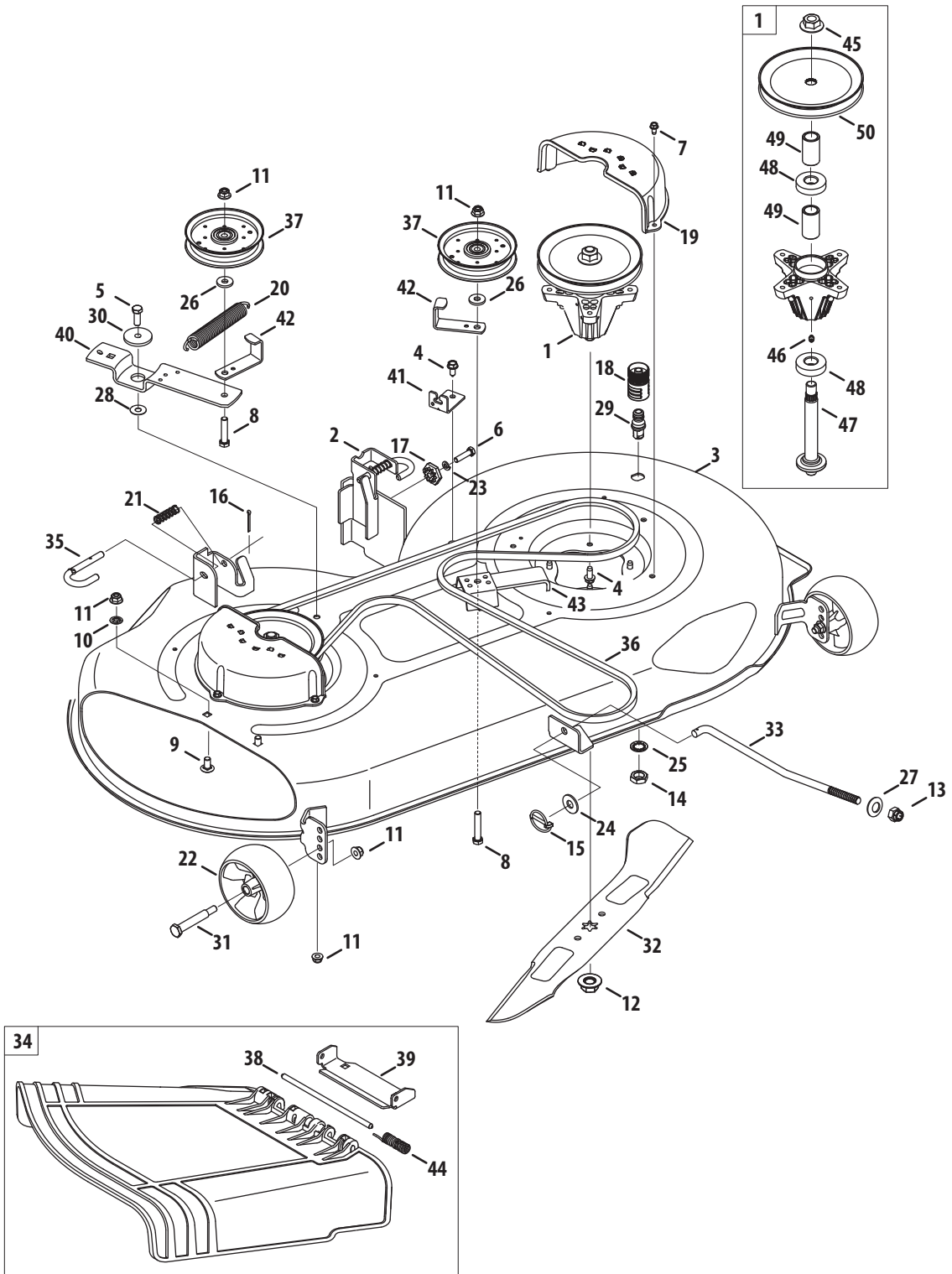
Ref.	Part Number	Description
29.	737-04003D	Port, Water
30.	738-04162A	Spacer, Shoulder, .8840 x .190
31.	938-3056	Bolt, Shoulder, .496 x 2.50, 3/8-16
32.	942-04308	Blade, Cut, 21.23" 2-In-1, Econ
33.	747-04944B	Rod, Lift, Deck, Frt, 13.7
34.	931-04349	Chute Ass'y, Deflector
35.	747-1116	Rod, Handle, Deck Rel .375 Dia
36.	954-04060B	Belt, V Type, A Sec x 96.5
37.	756-04129B	Pulley, Idler, 4.25"Dia
38.	783-05823	Bracket, Chute, 42/46
39.	783-04740	Bracket, Cable, Deck Engage
40.	711-04847A	Pin, Hinge, Dia .3125 x 7.96
41.	783-05946	Bracket, Idler, Pivot, 46
42.	783-06243	Bracket, Cable, Deck Engage
43.	783-06368	Bracket, Guard, Belt, 4.25 Pulley
44.	783-06424A	Cover, Belt, Deck, 42
45.	783-06632	Stop, LH, 42 Deck
46.	783-06643	Bracket, Support, Stationary Idler
47.	732-04372	Spring, Torsion, .44 I.D. x 2.0
48.	956-1227	Pulley, Deck, 6.3 Dia
49.	936-0351	Washer, Flat, .760 Idx1.50 OD
50.	738-1186A	Shift, Spindle, 6.11.
51.	941-0919	Bearing, Ball, .787id x 1.85 Odx.551
52.	750-04936	Spacer, .792 x 1.060 x 1.860
53.	631-04463	Plug Assembly, 42 Mulch
54.	911-04069	Pin, 1/4-20
55.	712-04064	Nut, Flange Lock, 1/4-20, Grf,
56.	942-0616A	Blade, Cut, 21.23" 3-In-1

46-inch Deck (Manual PTO)

Ref.	Part Number	Description
1.	918-04636A	Spindle Ass'y, Pulley 6.93 Dia
2.	683-0254B	Bracket Ass'y, Deck, Hanger LH Lt
3.	983-04511	Brake Ass'y, Deck, 42/46
4.	983-04525	Brake Ass'y, Deck, 46"
5.	983-04578	Deck Ass'y, Offset, 46"
6.	710-04484	Screw, Self-tapping, 5/16-18, .750,
7.	710-0514	Hex Screw, 3/8-16, 1.00, Gr5, Std
8.	710-0528	Hex Screw, 5/16-18, 1.25, Gr5, Std
9.	710-0599	Screw, Self-tapping, 1/4-20, 0.500,
10.	710-0778	Screw, Self-tapping, 1/4-20, 1.500,
11.	710-0809	Screw, Self-tapping, 1/4-20, 1.250,
12.	710-1003	Screw, B, #10-16, 0.625, , Sp
13.	710-3144	Hex Screw, 3/8-16, 2.00, Gr5, Std
14.	710-3178	Bolt, Carriage, 3/8-16, 0.75, Gr1
15.	712-0229	Nut, Push, 3/8
16.	712-04063	Nut, Flange Lock, 5/16-18, Grf,
17.	712-04065	Nut, Flange Lock, 3/8-16, Grf,
18.	712-0417A	Nut, Flange, 5/8-18
19.	712-04243	Nut, Lock, 1/2-13
20.	912-0641	Nut, Hex, M16-1.5 Din 936
21.	753-04070	Pin, Lynch, .1875
22.	914-0470	Pin, Cotter, 1/8 x 1.25
23.	917-04074	Gear, Deck, Adjustment
24.	921-04041	Adapter, Water Port
25.	731-06496	Cover, Belt, Universal
26.	932-0384	Spring, Extension, .62 Dia x 6.12
27.	732-04652	Spring, Comp, .535 OD x 1.751
28.	732-04727	Spring, Torsion, .992 I.D x 1.17 O.D
29.	734-04155	Wheel, Deck, 5.0 Dia Ball
30.	936-0119	Washer, Lock, 5/16, Regular Duty
31.	936-0176	Washer, Flat, .265 x .938 x .120
32.	936-0179	Washer, Flat, .531 x 1.25 x .100
33.	736-0225	Washer, Lock, 5/8, Int Tooth

Ref.	Part Number	Description
34.	736-0262	Washer, Flat, .385 x .870 x .092
35.	736-0317	Washer, Bell, .63 x 1.25 x .18
36.	936-0362	Washer, Flat, .330 x 1.25 x .06,
37.	737-04003D	Port, Water
38.	738-04162A	Spacer, Shoulder, .8840 x .190
39.	738-04166	Spacer, Shoulder, .500 x .1475
40.	938-3056	Bolt, Shoulder, .496 x 2.50, 3/8-16
41.	942-04290	Blade, Cut, 23.25" 2-In-1, Econ
42.	747-04530	Rod, Keepr, Belt 42 Idler
43.	747-04944A	Rod, Lift, Deck, Frt, 13.7
44.	747-05011	Rod, Keepr, Belt
45.	747-05052	Rod, Control, Brake 46"
46.	747-05171	Rod, Keeper
47.	747-1116	Rod, Handle, Deck Release
48.	750-0258	Spacer, .315 x .750 x .375
49.	750-0566A	Spacer, .260 x .375 x 1.030
50.	751B221535	Clamp, Casing
51.	954-04219	Belt, V-Type
52.	756-04129B	Pulley, Idler, 4.25"Dia
53.	936-0344	Washer, Flat, .385 x 1.0 x .030
54.	631-04461	Chute Ass'y, Deflector, 46" Offset
55.	783-05946	Bracket, Idler, Pivot, 46
56.	783-06243	Bracket, Cable, Deck Engage
57.	783-06368	Bracket, Guard, Belt, 4.25 Pulley
58.	783-06643	Bracket, Support, Stationary Idler
59.	711-04847A	Pin, Hinge, Dia .3125 x 7.96
60.	937-3000	Fitting, 3/16, Lnc#70, Drive Lube
61.	738-1186A	Shift, Spindle, 6.11.
62.	941-0919	Bearing, Ball, .787id x 1.85 Odx.551
63.	750-04936	Spacer, .792 x 1.060 x 1.860
64.	756-04356	Pulley, Deck, 6.93 Dia
65.	732-04372	Spring, Torsion, .44 I.D. x 2.0
66.	783-06074A	Bracket, Chute, 46

46-inch Deck (Electric PTO)



46-inch Deck (Electric PTO)

Ref.	Part Number	Description
1.	918-04636A	Spindle Assembly, Pulley 6.93 Dia.
2.	683-0254B	Bracket Assembly, Deck, Hanger LH
3.	983-04578	Deck Assembly, Offset, 46"
4.	710-04484	Screw, Self-tapping, 5/16-18, .750,
5.	710-0514	Hex Screw, 3/8-16, 1.00, Gr5, Std
6.	710-0528	Hex Screw, 5/16-18, 1.25, Gr5, Std
7.	710-0599	Screw, Self-tapping, 1/4-20, 0.500,
8.	710-3144	Hex Screw, 3/8-16, 2.00, Gr5, Std
9.	710-3178	Bolt, Carriage, 3/8-16, 0.75, Gr1
10.	712-0229	Nut, Push, 3/8
11.	712-04065	Nut, Flange Lock, 3/8-16, Nylon
12.	712-0417A	Nut, Flange, 5/8-18
13.	712-04243	Nut, 1/2-13
14.	712-0641	Nut, Hex, M16-1.5 Din 936
15.	753-04070	Pin, Lynch, .1875
16.	914-0470	Pin, Cotter, 1/8 X 1.25
17.	917-04074	Gear, Deck, Adj
18.	921-04041	Adapter, Water
19.	731-06496	Cover, Belt, Universal
20.	732-0459C	Spring, Extension, .94 Dia. X 6.74
21.	732-04652	Spring, Compression, .535 OD X 1.75
22.	734-04155	Wheel, Deck, 5.0 Dia. Ball
23.	936-0119	Washer, Lock, 5/16, Regular Duty
24.	936-0179	Washer, Flat, .531 X 1.25 X .100
25.	736-0225	Washer, Lock, 5/8, Int. Tooth

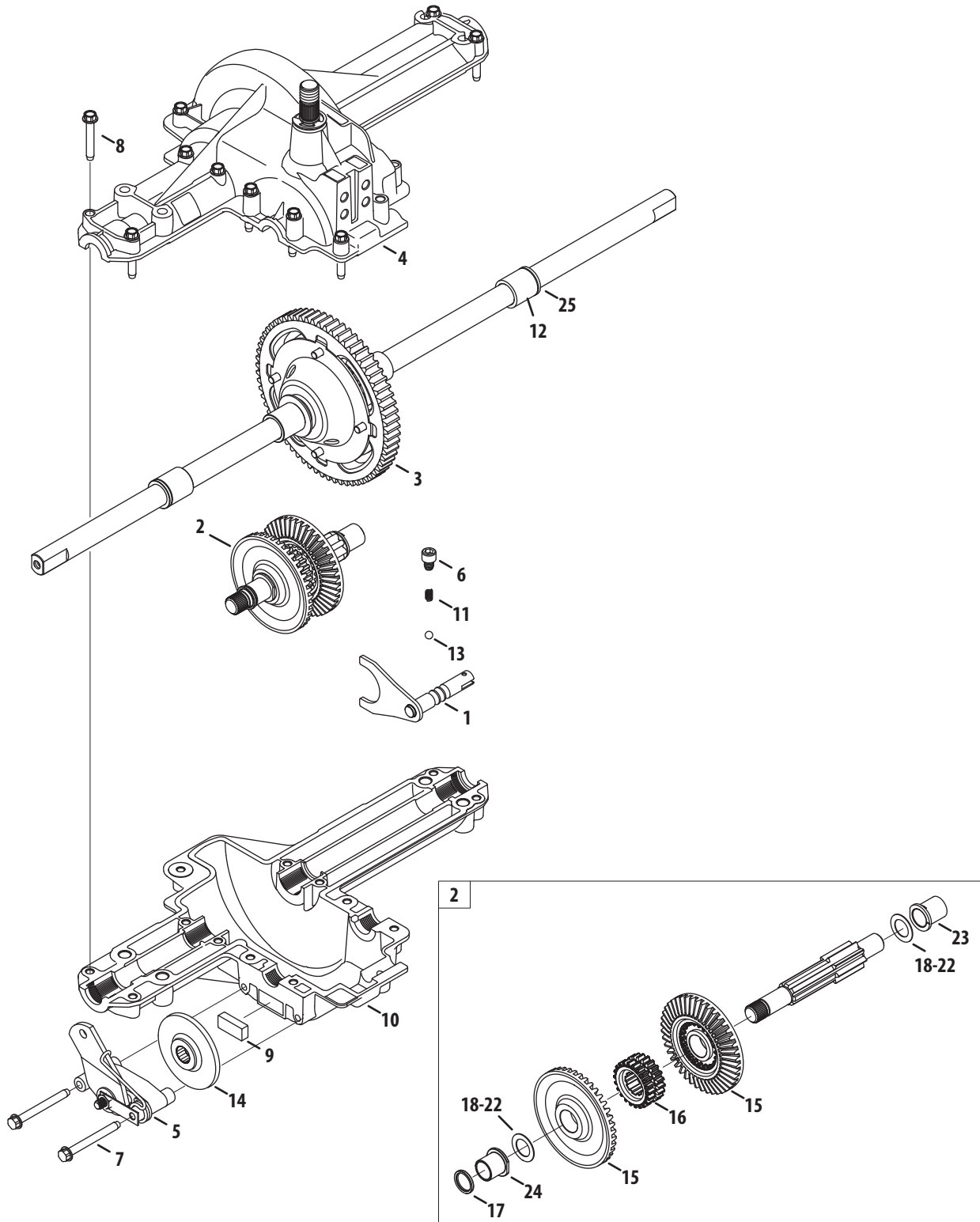
Ref.	Part Number	Description
26.	736-0262	Washer, Flat, .385 X .870 X .092
27.	736-0317	Washer, Bell, .63 X 1.25 X .18
28.	936-0344	Washer, Flat, .385 X 1.0 X .030
29.	737-04003D	Port, Water
30.	738-04162A	Spacer, Shoulder, .8840 X .190
31.	938-3056	Bolt, Shoulder, .496 X 2.50, 3/8-16
32.	942-04244A	Blade, Cut, 23.25" 2-In-1, Cub
33.	747-04944A	Rod, Lift, Deck, Front, 13.7
34.	631-04288	Chute Assembly, 46" Deck
35.	747-1116	Rod, Deck Release .375 Dia.
36.	954-04219	Belt, V-Type, A Sec
37.	756-04129B	Pulley, Idler, 4.25" Dia.
38.	711-04847A	Pin, Hinge, 7.96
39.	783-06074	Bracket, Chute
40.	783-05946	Bracket, Idler, Pivot
41.	783-06243	Bracket, Cable, Deck Engage
42.	783-06368	Bracket, Guard, Belt, 4.25 Pulley
43.	783-06643	Bracket, Support, Stationary Idler
44.	732-04372	Spring, Torsion, .44 I.D. X 2.0
45.	712-0417A	Nut, Flange, 5/8-18
46.	937-3000	Lube Fitting, 3/16
47.	738-1186A	Shaft, Spindle, 6.11
48.	941-0919	Bearing, Ball, .787 X 1.85 x.551
49.	750-04936	Spacer, .792 X 1.060 X 1.860
50.	756-04356	Pulley, Deck, 6.93 Dia.

50-inch Deck

Ref.	Part Number	Description
1.	96606	Bracket, Hook, Retainer
2.	918-04825B	Spindle Assembly, Pulley, 5.3 Dia.
3.	683-0254B	Bracket Assembly, Deck, Hanger LH
4.	983-04561	Deck Assembly, 50"
5.	703-3279	Stop, Chute, Deflector
6.	710-04095	Hex Screw, 3/8-16, 1.00, Gr5, Spec
7.	710-04484	Screw, Self-tapping, 5/16-18, .750,
8.	710-0528	Hex Screw, 5/16-18, 1.25, Gr5, Std
9.	710-0599	Screw, Self-tapping, 1/4-20, 0.500
10.	710-1008	Screw, Self-tapping, 3/8-16, 1.875
11.	710-3011	Hex Screw, 3/8-16, 2.25, Gr5, Std
12.	710-3103	Hex Screw, 5/16-18, 2.00, Gr5, Std
13.	710-3178	Bolt, Carriage, 3/8-16, 0.75, Gr1
14.	711-05078	Rod, Support, Deck
15.	711-3314	Roller Pin-1/2 Dia. x 7.31
16.	712-0229	Nut, Push, 3/8
17.	912-0240	Nut, Jam, 7/16-20, Gr2
18.	712-04063	Nut, Flange Lock, 5/16-18, Nylon
19.	712-04065	Nut, Flange Lock, 3/8-16, Nylon
20.	712-0417A	Nut, Flange, 5/8-18
21.	712-04243	Nut, 1/2-13
22.	912-0641	Nut, Hex, M16-1.5
23.	912-3010	Nut, Hex, 5/16-18, Gr5
24.	914-0111	Pin, Cotter, 3/32, 1.0
25.	753-04070	Pin, Lynch, .1875
26.	714-04043	Pin, Cotter, Bow-Tie
27.	914-0470	Pin, Cotter, 1/8 x 1.25
28.	917-04074	Gear, Deck, Adjustment
29.	921-04041	Coupler, Water
30.	731-05679	Roller, Front
31.	732-04649	Spring, Extension, 1.0 OD x 6.10
32.	732-04652	Spring, Compr', .535 OD x 1.751
33.	937-3000	Lube Fitting, 3/16
34.	734-04155	Wheel, Deck, 5.0 Dia. Ball
35.	734-0973	Wheel, Deck 5.0 x 1.38

Ref.	Part Number	Description
36.	936-0119	Washer, Lock, 5/16, Regular Duty
37.	936-0179	Washer, Flat, .531 x 1.25 x .100
38.	736-0225	Washer, Lock, 5/8, Int Tooth
39.	936-0275	Washer, Flat, .344 x .688 x .065
40.	936-0300	Washer, Flat, .406 x .875 x .059
41.	936-0314	Washer, Thrust, .375 x .70 x .030
42.	736-0317	Washer, Bell, .63 x 1.25 x .18
43.	736-3010	Washer, Flat, .407 x .812 x .135
44.	737-04003D	Port, Water
45.	938-0373	Bolt, Shoulder, .496 x 1.525, 3/8-16
46.	738-04162A	Spacer, Shoulder, .8840 x .190
47.	938-3056	Bolt, Shoulder, .496 x 2.50, 3/8-16
48.	942-04053C	Blade, 17.90 Star 2 In 1
49.	747-04530	Rod, Keeper,
50.	747-05067A	Rod, Lift, Deck, Front, 11.7
51.	756-04216	Pulley, Deck, 5.39 Dia.
52.	747-1116	Rod, Deck Release
53.	750-3119	Spacer, .406 Id x 1.00 OD x .38
54.	954-04240	Belt, V-Type
55.	756-04129B	Pulley, Idler, 4.25" Dia.
56.	750-1096	Spacer, .800 x 1.100 x 1.5300
57.	783-04399	Cover, Belt, LH 50"
58.	783-04400	Cover, Belt, Rh 50"
59.	783-04414A	Skirt, Center, 50"
60.	783-04415	Skirt, RH, 50"
61.	748-0434	Spacer, .750 x 1.150 x .230
62.	783-06361	Bracket, Idler, Arm
63.	631-04092B	Chute Assembly
64.	711-04565	Pin, Hinge, .3175 Dia. x 14.06 ,1
65.	941-0919	Bearing, Ball, .787id x 1.85 Od x .551
66.	732-04372	Spring, Torsion, .44 I.D. x 2.0,
67.	783-05030	Bracket, Chute 50/54"
68.	738-0976	Shaft, Spindle, 4.1250
69.	731-04651	Plug, Mulch

Transmission

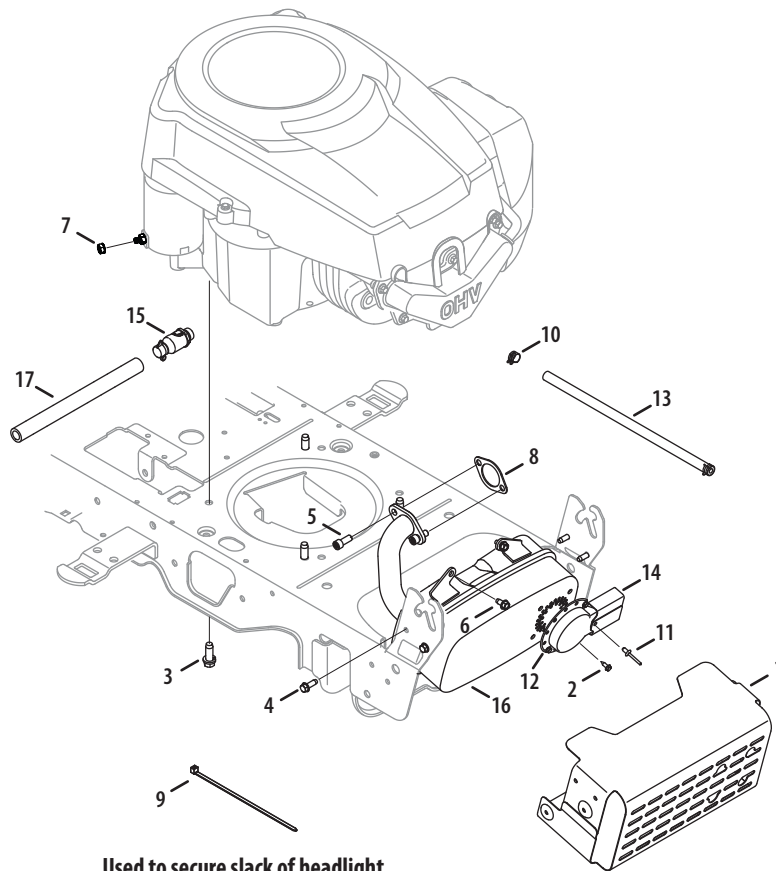


Ref.	Part Number	Description
1.	911-0011	Shaft Ass'y, Detent
2.	911-04091	Shaft Ass'y, Drive, Fwd-Rev
3.	918-04567A	Differential Ass'y
4.	919-04187	Housing Ass'y, Upper
5.	961-0001	Brake Ass'y, Yoke, RH
6.	710-04731	Shcs, Self-tapping, 5/16-18, .375
7.	710-1206	Screw, Self-tapping, 1/4-20, 2.375,
8.	710-1325	Screw, Self-tapping, 1/4-20, 1.625,
9.	917-0678	Pad, Brake
10.	919-04329	Housing, Lower
11.	932-0863	Compression Spring
12.	941-0340	Bearing, Sleeve, .75 x 1.00 x .42
13.	741-0862	Ball, Detent, .250
14.	761-0202	Disc, Brake
15.	917-04479	Gear, Bevel, 42t, Spline
16.	718-04381P	Collar, Clutch
17.	721-0213	Seal, .625 x .812 x .094
18.	936-0336	Washer, Flat, 5/8x1.00x.030 Hd
19.	936-0337	Washer, Flat, .634x1.00x.04,
20.	936-0349	Washer, Flat, .63 x 1.00 x .02
21.	736-0494	Washer, Flat, .632x1.00x.035
22.	936-0495	Washer, Thrust, 1.00 x .632 x .0
23.	941-0336	Bearing, Flange, 5/8 x 3/4 x 3/4
24.	941-0337	Bearing, Flange, 5/8 x 3/4 x 15/16
25.	921-0338	Seal, .75 x 1.00 x .125
—	737-0300A	Grease, Darina, Transmission**

* Use as required to control backlash .022 / .010

** 20 oz required if rebuilding transmission

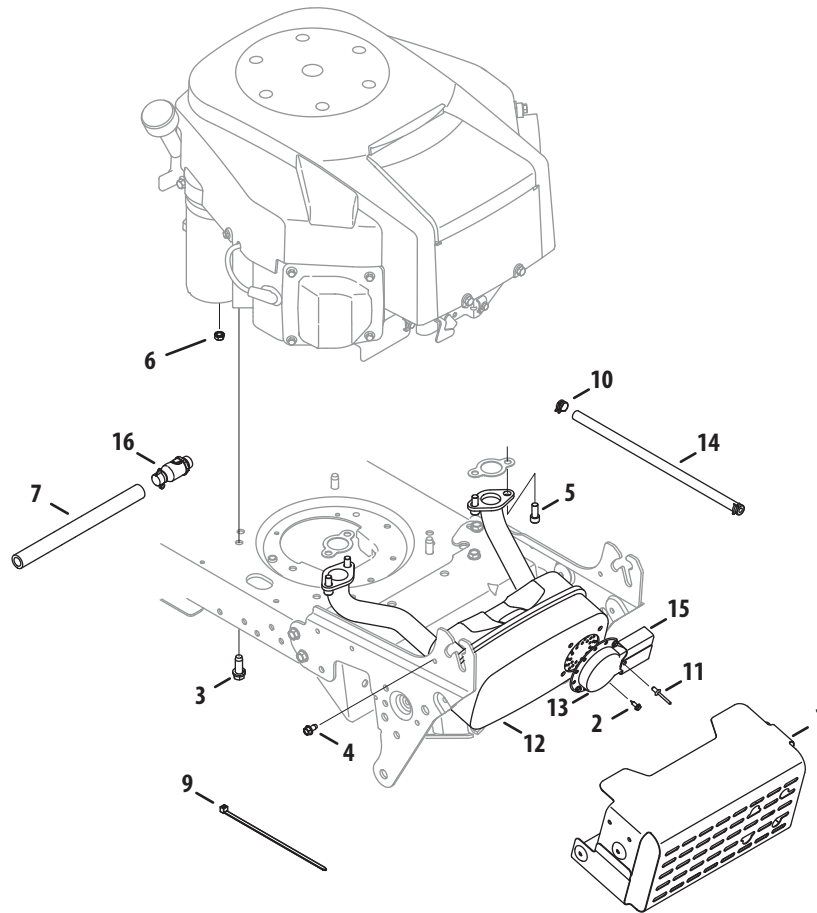
Engine Accessories (Kohler Single)



Used to secure slack of headlight
harness to hood hinge

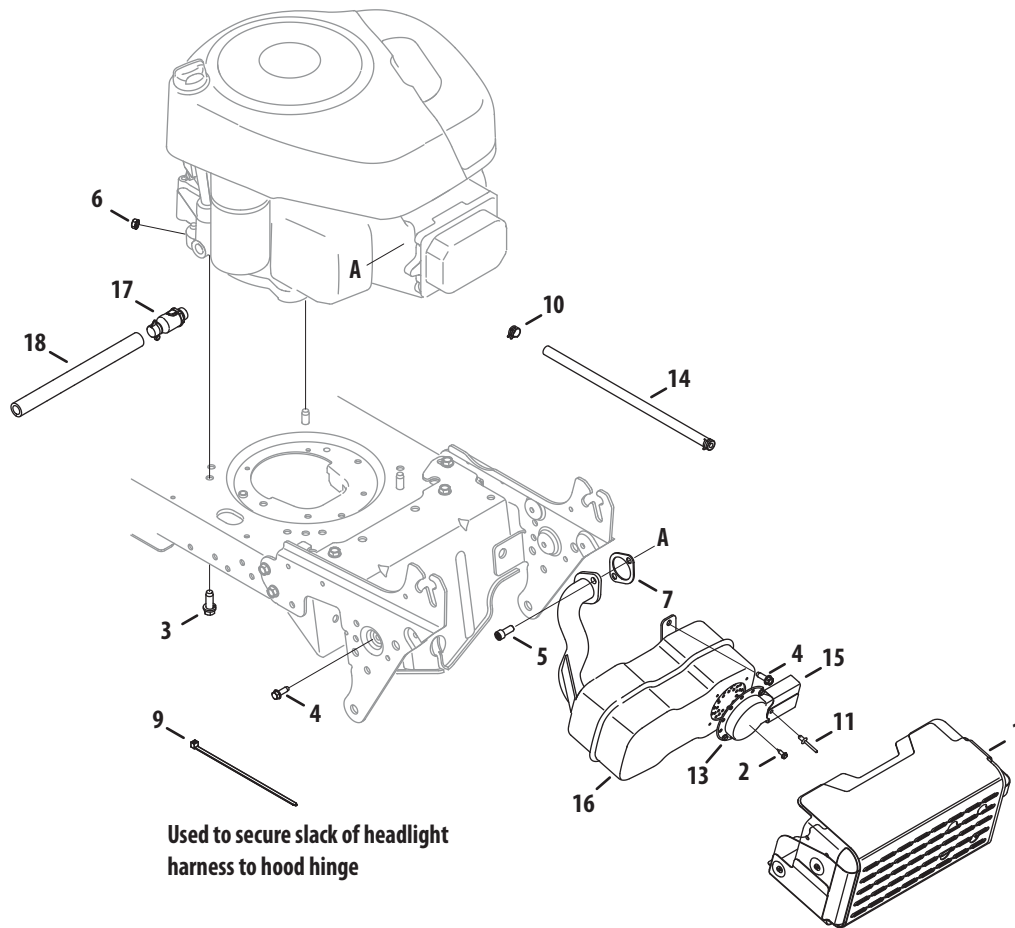
Ref.	Part Number	Description
1.	683-04549	Shield Ass'y, Muffler
2.	710-0227	Screw, Ab, #8-18, 0.500,
3.	710-04683	Screw, Self-tapping, 3/8-16, 1.000,
4.	710-0599	Screw, Self-tapping, 1/4-20, 0.500,
5.	710-1314A	Screw, Socket Head, 5/16-18, .750
6.	710-1652	Screw, Self-tapping, 1/4-20x.625,
7.	712-0271	Nut, Sems, 1/4-20
8.	KH-20-041-12-S	Gasket, Exhaust
9.	725-0157	Cable, Tie, 3/16 x .05 x 7.4
10.	726-0205	Clamp, Hose, .490 Dia.
11.	728-04000	Rivet, Pop, .188 Dia x .300
12.	751-0564B	Deflector, Muffler
13.	751-10349	Hose, Fuel, Low Permeation, 1/4
14.	751-10353	Deflector, Muffler, Long
15.	951-10517A	Drain, Oil
16.	751-11022A	Muffler, Single, Kohler
17.	751-3141-14	Hose, Extension, Oil Drain

Engine Accessories (Kohler Twin)



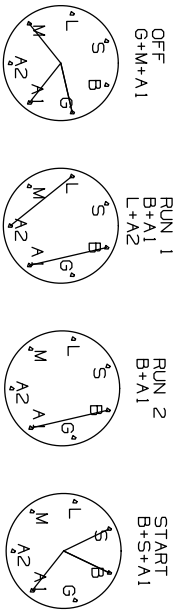
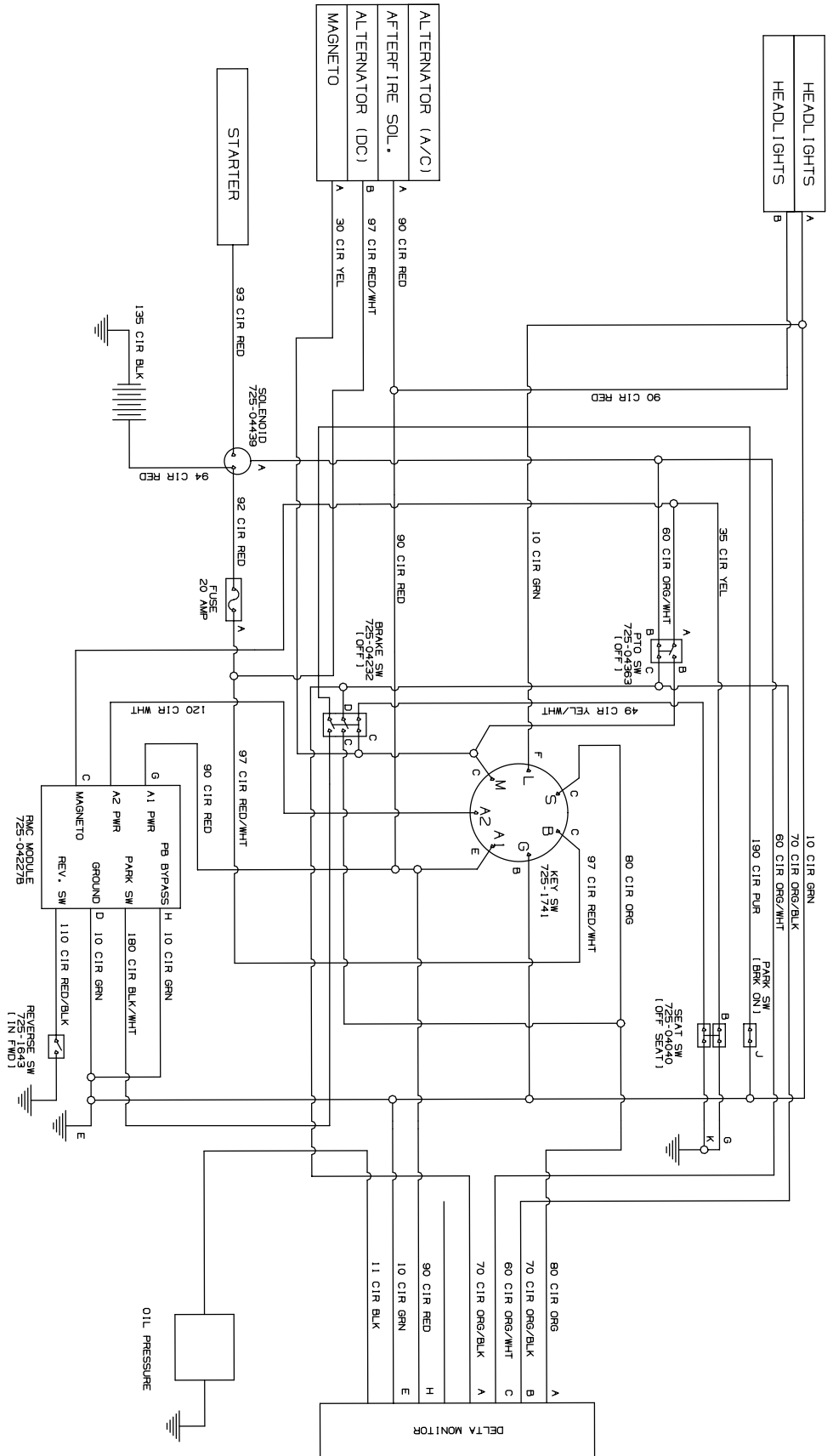
Ref.	Part Number	Description
1.	683-04549	Shield Ass'y, Muffler
2.	710-0227	Screw, Ab, #8-18, 0.500,
3.	710-04683	Screw, Self-tapping, 3/8-16, 1.000,
4.	710-0599	Screw, Self-tapping, 1/4-20, 0.500,
5.	710-1314A	Screw, Socket Head, 5/16-18, .750
6.	712-0271	Nut, Sems, 1/4-20
7.	751-3141-14	Hose, Extension, Oil Drain
8.	721-0377A	Gasket, Exhaust
9.	725-0157	Cable, Tie, 3/16 x .05 x 7.4
10.	726-0205	Clamp, Hose, .490 Dia.
11.	728-04000	Rivet, Pop, .188 Dia x .300
12.	751-10528A	Muffler, Intek Twin
13.	751-0564B	Deflector, Muffler
14.	751-10349	Hose, Fuel, Low Permeation, 1/4
15.	751-10353	Deflector, Muffler, Long
16.	951-10517A	Drain, Oil

Engine Accessories (B&S Single)

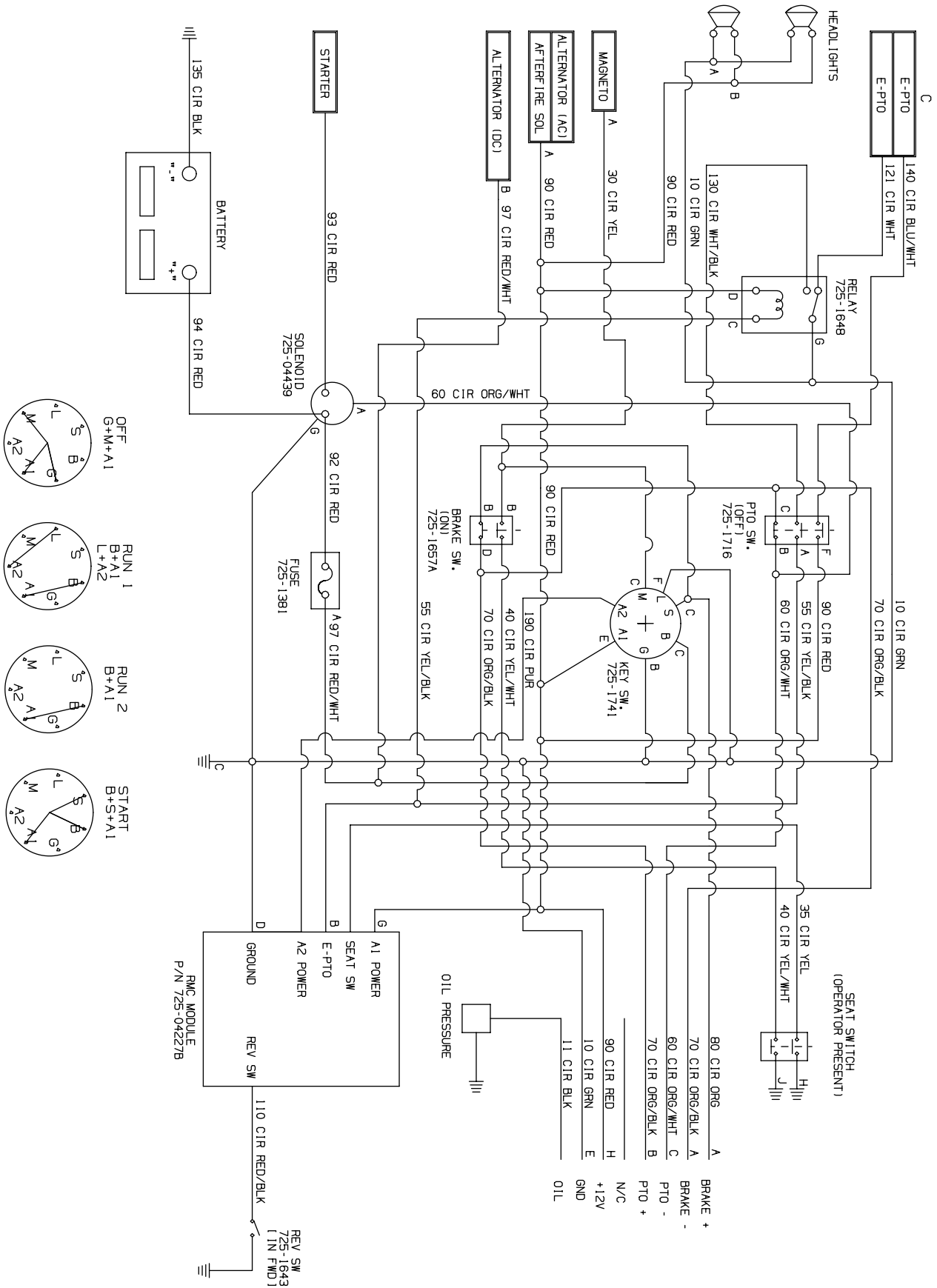


Ref.	Part Number	Description
1.	683-04549	Shield Ass'y, Muffler
2.	710-0227	Screw, Ab, #8-18, 0.500,
3.	710-04683	Screw, Self-tapping, 3/8-16, 1.000,
4.	710-0599	Screw, Self-tapping, 1/4-20, 0.500,
5.	710-1314A	Screw, Socket Head, 5/16-18, .750
6.	712-0271	Nut, Sems, 1/4-20
7.	BS-692236	Gasket, Exhaust
8.	751-3141-14	Hose, Extension, Oil Drain
9.	725-0157	Cable, Tie, 3/16 x .05 x 7.4
10.	726-0205	Clamp, Hose, .490 Dia.
11.	728-04000	Rivet, Pop, .188 Dia x .300
12.	951-10517A	Drain, Oil
13.	751-0564B	Deflector, Muffler
14.	751-10349	Hose, Fuel
15.	751-10353	Deflector, Muffler, Long
16.	751-10448B	Muffler, Single, B&S

Electrical Schematic (Manual PTO)



Electrical Schematic (Elect PTO / Ammeter)



Electrical Schematic (Elect PTO / Hour Meter)

