

Operator's Manual

CRAFTSMAN®

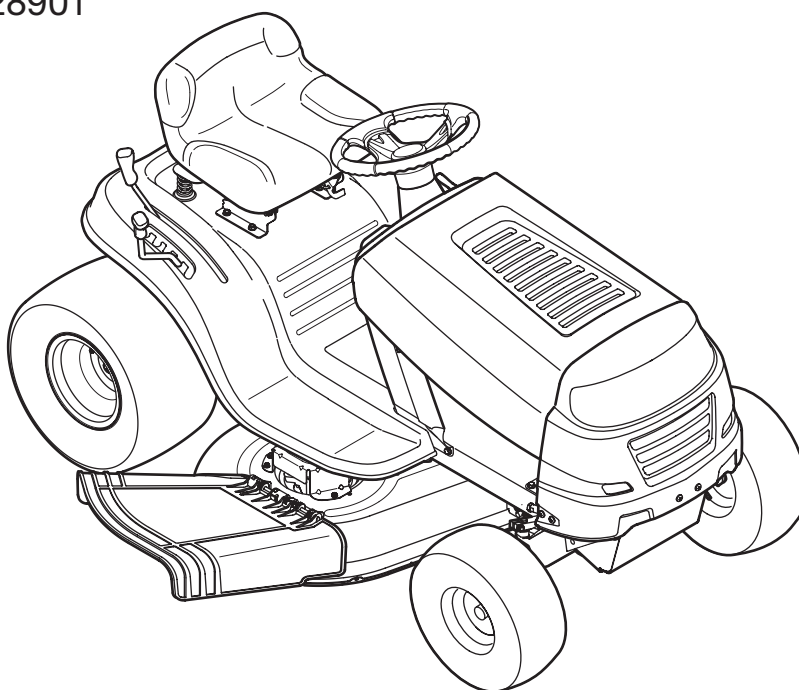
LAWN TRACTOR

17.5 HP

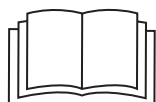
7 Speed, Shift-on-the-Go

42" Deck

Model No. 247.28901



- Espanol, P. 59



This product has a low emission engine which operates differently from previously built engines. Before you start the engine, read and understand this Operator's Manual.

⚠ CAUTION

Before using this equipment, read this manual and follow all safety rules and operating instructions.

For answers to your questions about this product, Call:

1-800-659-5917

Craftsman Tractor Help Line

7 am - 7 pm CT, Mon. - Sun.

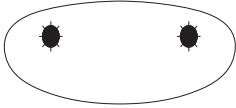
Sears Brands Management Corporation, Hoffman Estates, IL 60179 U.S.A.

Visit our website: www.craftsman.com

Form No. 769-05667B
(February 12, 2010)

Labels

777X41984



777S33583



777I22773



777X43688



777D14478



(QTY 2) 777D14507



777I23364



(QTY 2) 777D14481



REF: 751B278826



(QTY 2) 777D14488



777I22454



777S30018



777S30503



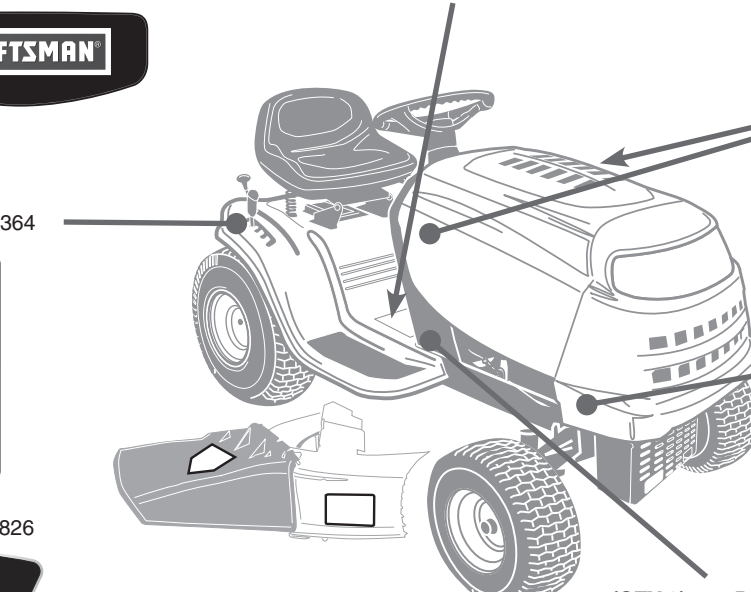
777S30284



777I23366

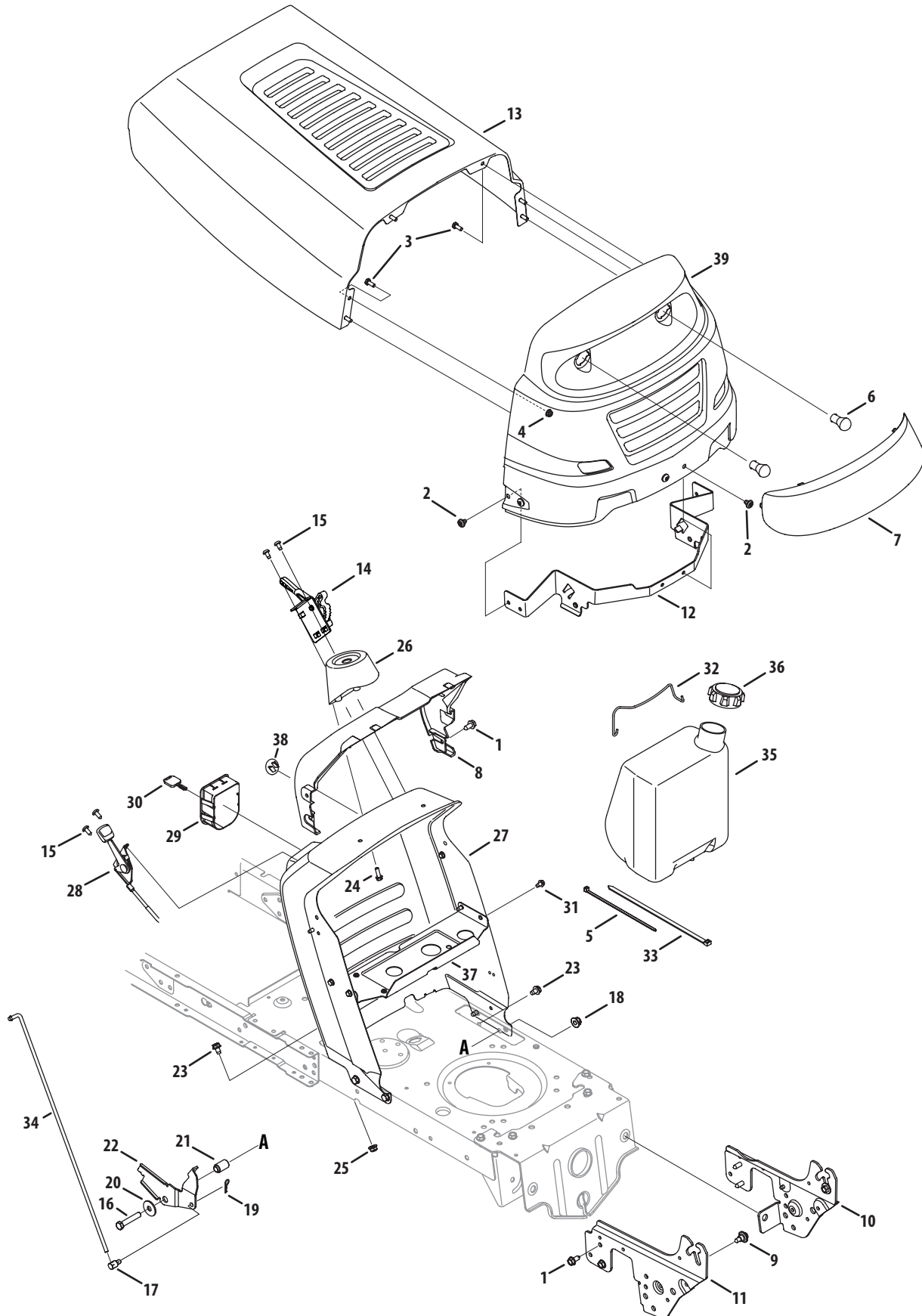


777I22479



PARTS LIST

Craftsman Lawn Tractor Model 247.28901



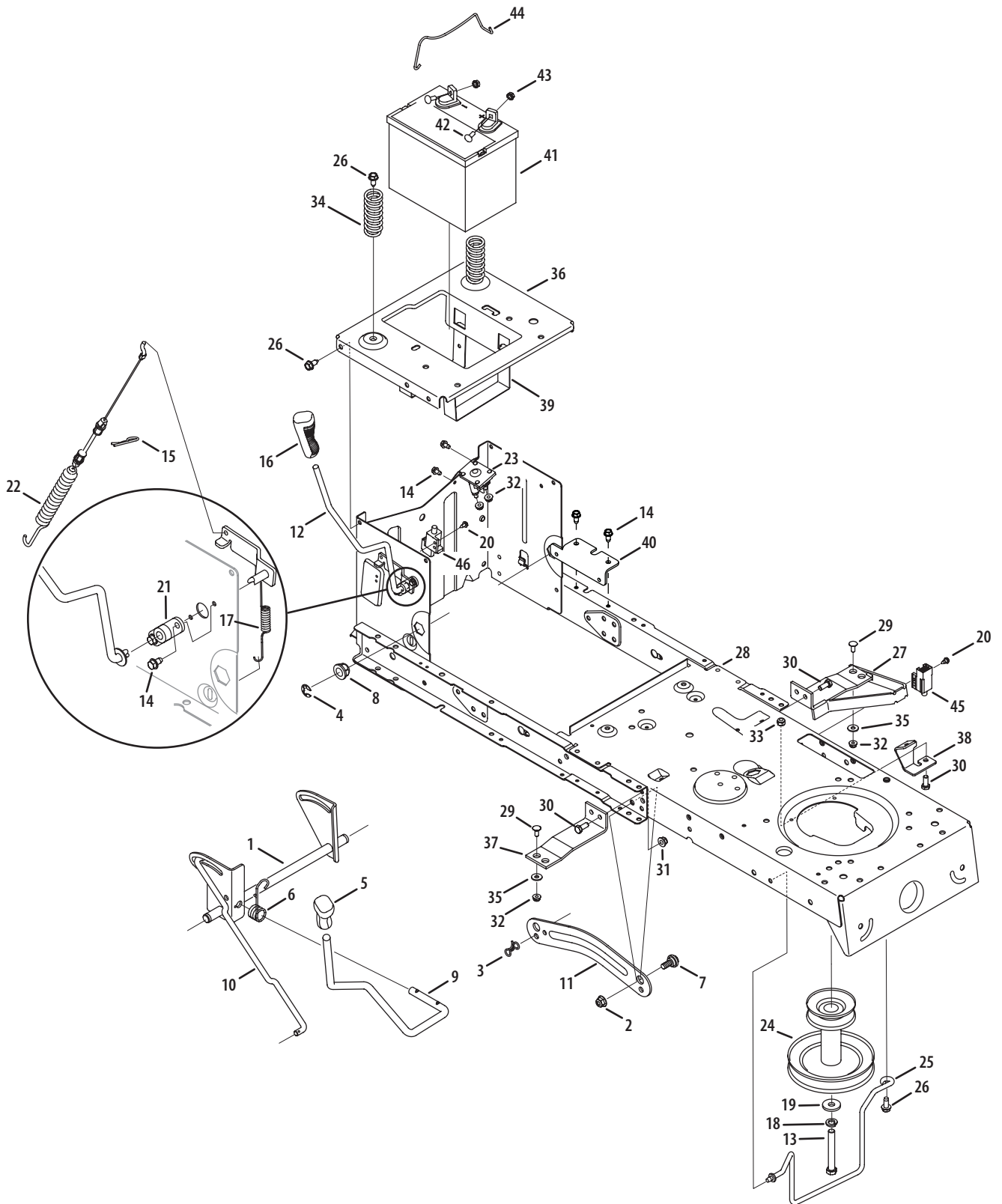
PARTS LIST

Craftsman Lawn Tractor Model 247.28901

| Ref. No. | Part No. | Description | Ref. No. | Part No. | Description |
|----------|-----------------|-------------------------------------|----------|-----------------|------------------------------------|
| 1 | 710-04484 | Screw, 5/16-18 x .750 | 21 | 750-04465 | Flange Spacer |
| 2 | 710-04593 | Screw, 5/16-18 x .375 | 22 | 783-04862 | Speed latch |
| 3 | 710-0751 | Hex Screw, 1/4-20 x .620 | 23 | 710-0604A | Self-Tap Screw, 5/16-18 |
| 4 | 712-04064 | Nut, Hex Flange Insert Lock, 1/4-20 | 24 | 710-0895 | Hex Screw, 1/4-15 |
| 5 | 725-0157 | Cable Tie, 3/16 x .05 x 7.4 | 25 | 712-04063 | Nut, Hex Flange Ins. Lock, 5/16-18 |
| 6 | 925-0963 | Lamp | 26 | 731-04945 | Steering Support |
| 7 | 731-04949A | Grill Lens, 1 Style | 27 | 783-04892B-0637 | Dash |
| 8 | 731-05078C | Dash Collar | 28 | 746-04364 | Throttle/Choke Assembly |
| 9 | 738-04091A | Shoulder Screw, 5/16-18 | 29 | 725-04992 | Key Switch Module |
| 10 | 783-05327B-0637 | Left Support Pivot Bracket | 30 | 925-1745A | Key |
| 11 | 783-05328A-0637 | Right Support Pivot Bracket | 31 | 710-0599 | Screw, Hd. Tapp, 1/4-20 x .5 |
| 12 | 783-05454-0637 | Hood Pivot Bracket | 32 | 683-04448-0637 | Assembly Rod |
| 13 | 783-05684-4043 | Hood Assembly, 1 Style | 33 | 726-0230 | Cable Tie |
| 14 | 983-04216 | Speed Selector, 7-Speed | 34 | 747-04430 | Speed Selector Control Rod |
| 15 | 710-04483 | Self-Tap Screw, 1/4-20 | 35 | 751-0555B | 1.5 Gallon Fuel Tank |
| 16 | 710-3144 | Hex Head Screw, 3/8-16 | 36 | 751-0603A | Fuel Cap |
| 17 | 711-0736 | Ferrule, 1/4-20 x 1.00 | 37 | 783-04584A-0637 | Gas Tank Support Bracket |
| 18 | 712-04065 | Nut, Hex Flange Insert Lock, 3/8-16 | 38 | 731-05265 | Choke Plug |
| 19 | 714-04040 | Hair Pin Clip | 39 | 783-05685-4043 | Grill |
| 20 | 936-0133 | Flat Washer, .411 x 1.25 x .100 | | | |

PARTS LIST

Craftsman Lawn Tractor Model 247.28901



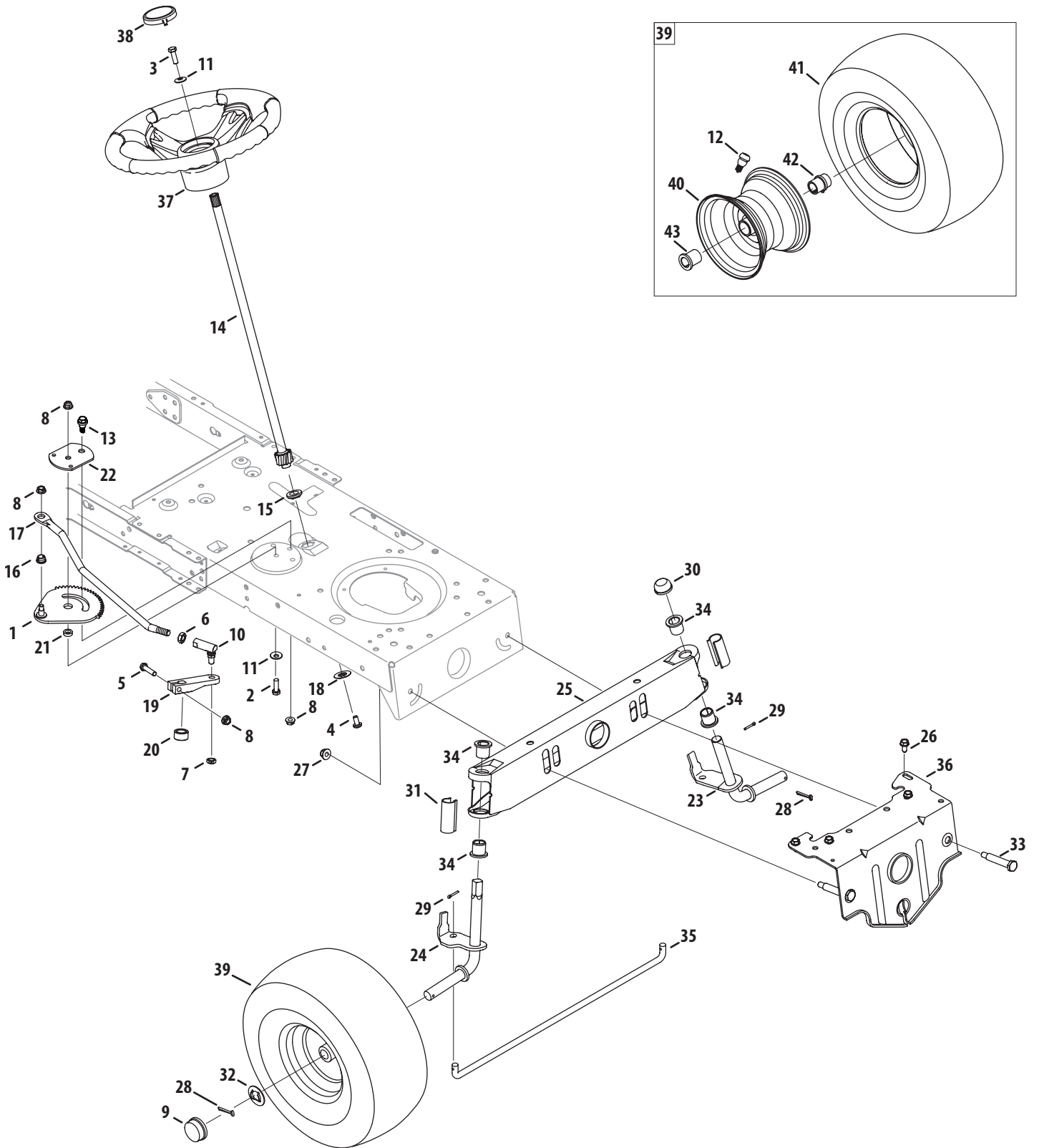
PARTS LIST

Craftsman Lawn Tractor Model 247.28901

| Ref. No. | Part No. | Description | Ref. No. | Part No. | Description |
|----------|-----------------|-------------------------------------|----------|-----------------|--------------------------------------|
| 1 | 683-04155A-0637 | Shaft, Lift | 24 | 756-04196A | Engagement Pulley |
| 2 | 712-04065 | Nut, Hex Flange Insert Lock, 3/8-16 | 25 | 747-04857 | Belt Keeper Rod Assembly |
| 3 | 714-04040 | Bow-Tie Pin, 91, RH | 26 | 710-04484 | Screw, Hd. Tapp, 5/16-18 x .75 |
| 4 | 716-0106A | E-ring, .625 Shaft | 27 | 683-04195-0637 | Support Bracket Assembly |
| 5 | 720-0311 | Grip, Handle | 28 | 683-04601-0637 | Rider Frame Assembly |
| 6 | 732-04225 | Spring, Lift Handle Torsion | 29 | 710-0134 | Carriage Screw, 1/4-20 x .62 |
| 7 | 738-04130 | Bolt, Shoulder, .625 x .175:3/8-16 | 30 | 710-3008 | Screw, Hx. Hd., 5/16-18 x .75 |
| 8 | 941-0225 | Bearing, Hex Flange, | 31 | 712-04063 | Nut, Hex Flange Insert Lock, 5/16-18 |
| 9 | 747-05296 | Handle, Lift | 32 | 712-04064 | Nut, Hex Flange Insert Lock, 1/4-20 |
| 10 | 747-04393 | Lift Rod, 13.68 | 33 | 912-0429 | Hexlock Nut, 5/16-18 |
| 11 | 783-04494C-0637 | Arm, Deck Lift RH | 34 | 732-04035 | Spring, Compress., 1.28 x 3.125 |
| | 783-04711C-0637 | Arm, Deck Lift LH | 35 | 736-0173 | Flat Washer, .28 x .74 x .063 |
| 12 | 647-04096-0637 | PTO Handle Assembly | 36 | 783-04548C-0637 | Seat Bracket Frame |
| 13 | 710-04608 | Screw, Hx. Hd., 7/16-20 x 3.25 | 37 | 783-04637-0637 | Running Board Bracket |
| 14 | 710-0599 | Screw, Hd. Tapp, 1/4-20 x .5 | 38 | 783-04753-0637 | Frame Support Bracket |
| 15 | 914-0145 | Click Pin | 39 | 783-04869A-0637 | Battery Bracket |
| 16 | 720-04049A | Handle Grip | 40 | 783-05389A-0637 | Frame Brace Bracket |
| 17 | 732-04276A | PTO Spring, Extension | 41 | 725-05090 | Die Hard Battery |
| 18 | 936-0171 | Washer, Flat, 7/16 | 42 | 738-1132 | Screw, Shoulder, .250 x .150 |
| 19 | 736-0322 | Washer, Flat, .450 x .250 x .164 | 43 | 712-0271 | Nut, Sems, 1/4-20 |
| 20 | 738-04237A | Shoulder Screw, #10-32 x .500 | 44 | 683-04448-0637 | Battery Rod |
| 21 | 741-04119A | PTO Bearing | 45 | 925-04039 | Screw Mount Interlock Switch |
| 22 | 946-04173B | Deck Engagement Cable | 46 | 725-04363 | Interlock Switch |
| 23 | 725-04439 | 12v. Solenoid | | | |

PARTS LIST

Craftsman Lawn Tractor Model 247.28901



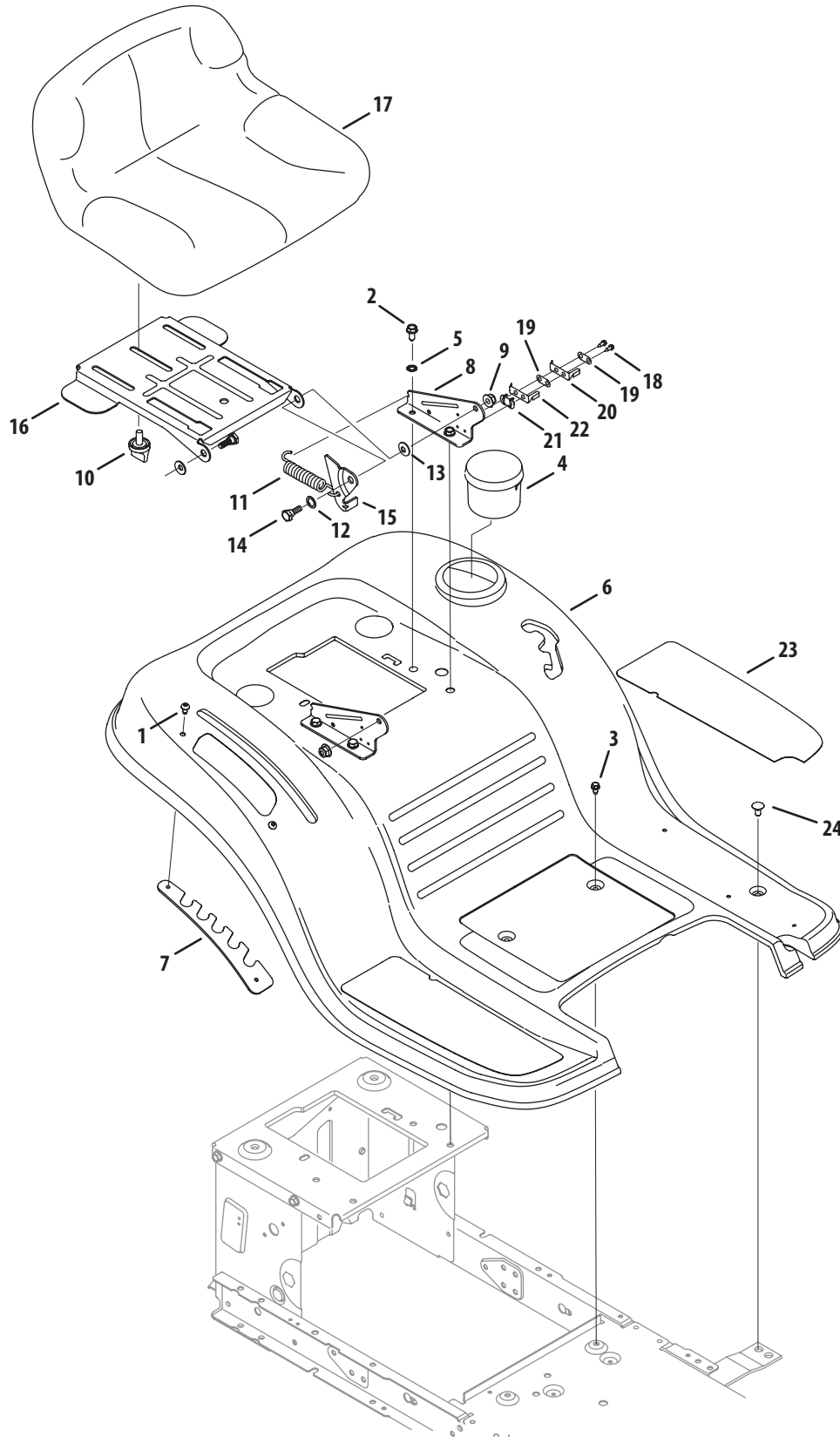
PARTS LIST

Craftsman Lawn Tractor Model 247.28901

| Ref. No. | Part No. | Description | Ref. No. | Part No. | Description |
|----------|----------------|------------------------------------|----------|-----------------|------------------------------------|
| 1 | 617-04024 | Gear Assembly, Steering | 23 | 938-04007A-0637 | Axle Assmby LH |
| 2 | 710-0376 | Screw, 5/16-18, 1.00, Gr5 | 24 | 638-04008P | Axle Assmby RH |
| 3 | 710-0643 | Screw, 5/16-18, 1.00, Gr5, Lock | 25 | 683-0128B-0637 | Pivot Bar Axle Assembly |
| 4 | 710-1309 | Screw, Mach, 5/16-18, 0.750 | 26 | 710-04484 | Screw, 5/16-18, 0.750 |
| 5 | 710-3180 | Screw, 5/16-18, 1.75, Gr5 | 27 | 712-04065 | Nut, Flange Lock, 3/8-16, GrF |
| 6 | 912-0240 | Nut, Jam, 7/16-20, Gr2 | 28 | 714-04039 | Pin, Cotter, 5/32, 1.25 |
| 7 | 912-0214 | Nut, Jam Lock, 3/8-24, Gr2 | 29 | 914-0474 | Pin, Cotter, 1/8 x 0.75 |
| 8 | 712-04063 | Nut, Flange Lock, 5/16-18, Grf | 30 | 736-0341 | Push Cap, 3/4 |
| 9 | 931-0484A | Hub Cap | 31 | 731-04057A | Axle Cap |
| 10 | 923-0448A | Ball Joint, 7/16-20, Lock | 32 | 736-04228A | Washer, Flat, .781 x 1.59 |
| 11 | 736-0242 | Washer, Bell, .340 x .872 x .060 | 33 | 738-04128 | Scr., Shlder, .500 x 2.380, 3/8-16 |
| 12 | 934-0255 | Valve Stem | 34 | 741-0660A | Flange Bearing |
| 13 | 738-04141 | Shoulder Screw, 5/16-18 | 35 | 747-04299A | Tie Rod |
| 14 | 738-0919A | Steering Shaft, 5/8 Spline x 21.86 | 36 | 783-05326B-0637 | Pivot Bar Bracket |
| 15 | 941-04124 | Bearing, Flange, Hex 5/8 | 37 | 631-04028 | Steering Wheel, Standard Grip |
| 16 | 941-04454 | Plastic Bushing .380 ID | 38 | 731-06825 | Cap, Steering Wheel (Crafts. logo) |
| 17 | 747-04298 | Drag Link, Steering | 39 | 634-04086-0961 | Wheel Assembly |
| 18 | 948-0389 | Cap, 1.25 x .16 | 40 | 934-04081-4042 | Rim |
| 19 | 748-04065-0637 | Steering, Block | 41 | 734-1731-0901 | Tire, 15 x 6 x 6 Sq. Shoulder |
| 20 | 748-04068 | Spacer, .710 ID x .125 OD x .56 | 42 | 741-0990B | Flange Bearing |
| 21 | 750-04418 | Spacer, .322 ID x .625 OD x .21 | 43 | 741-0516B | Flange Bearing |
| 22 | 783-04644 | Stabilizer Plate, Gear Segment | 44 | | |

PARTS LIST

Craftsman Lawn Tractor Model 247.28901



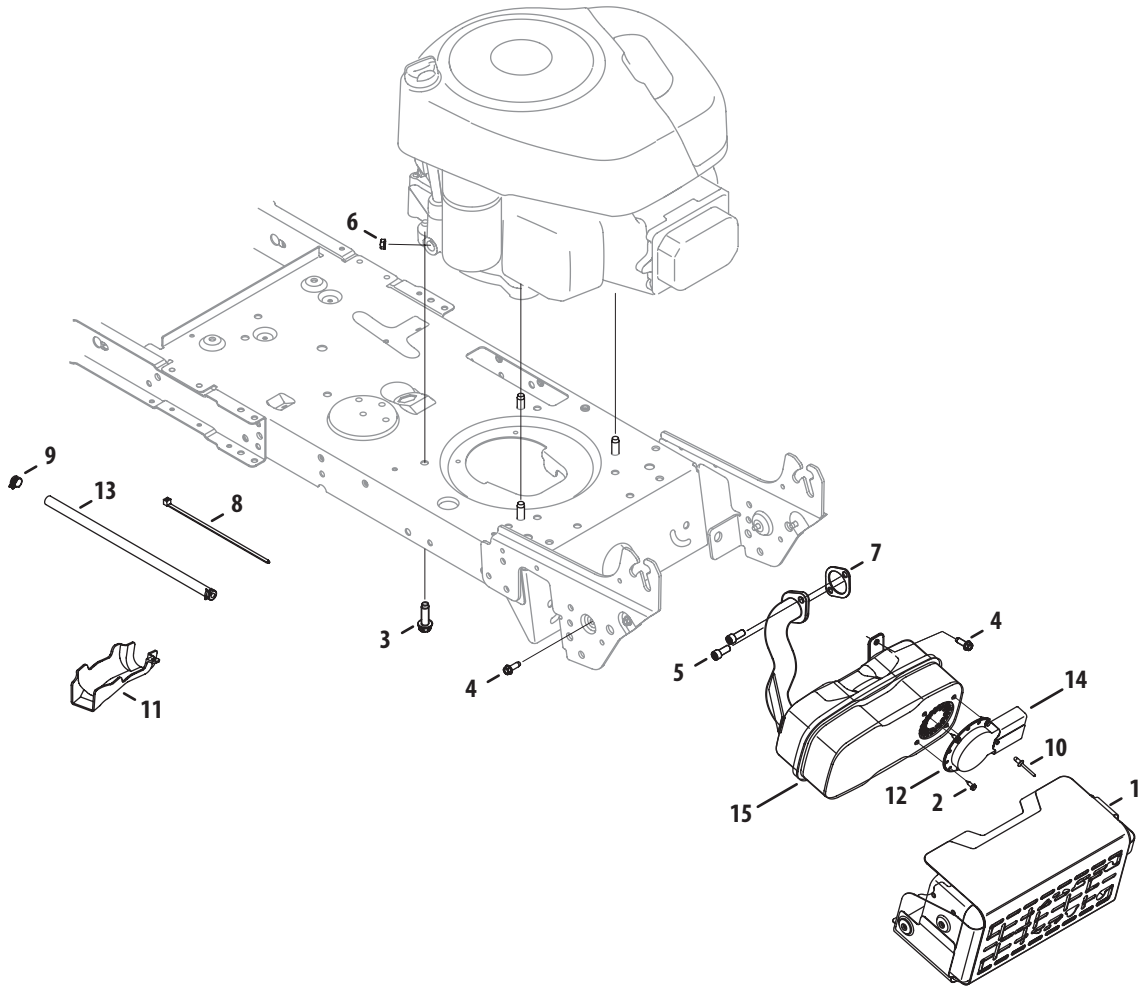
PARTS LIST

Craftsman Lawn Tractor Model 247.28901

| Ref. No. | Part No. | Description |
|----------|-----------------|---------------------------------------|
| 1 | 710-04483 | Screw, 1/4-20 x .500 |
| 2 | 710-04484 | Screw, 5/16-18 x .750 |
| 3 | 710-0599 | Screw Pan Torx Head, 1/4-20 x .500 |
| 4 | 731-04591A | Cup Holder |
| 5 | 736-0607 | Lock Washer, 5/16 |
| 6 | 783-04587C-4043 | Fender |
| 7 | 783-04843-0637 | Lift Adjuster Bracket |
| 8 | 783-1489C-0637 | Seat Mounting Bracket |
| 9 | 712-04063 | Flangelock Nut, 5/16-18 |
| 10 | 720-04061 | Knob, 3/8-16 x .875 |
| 11 | 732-1184 | Extension Spring |
| 12 | 936-0108 | Flat Washer, .510 x .750 x .033 |
| 13 | 736-0242 | Flat Washer, .340 x .872 x .060 |
| 14 | 938-0296 | Shoulder Screw, 5/16-18 x .437 x .268 |
| 15 | 783-0209D | Lift Seat Bracket |
| 16 | 783-04081C-0637 | Seat Pivot Bracket |
| 17 | 757-04124 | Low Back Seat |
| 18 | 710-0227 | Screw, 8-18 x .500 |
| 19 | 726-0279 | Insulator Plate |
| 20 | 925-1303 | Outer Seat Spring |
| 21 | 726-0278 | Insulator Boss Plate |
| 22 | 725-1439 | Inner Seat Spring |
| 23 | 723-04025 | Abrasive Foot Pad, LH |
| | 723-04026 | Abrasive Foot Pad, RH |
| 24 | 710-0134 | Carriage Screw, 1/4-20 x .62 |

PARTS LIST

Craftsman Lawn Tractor Model 247.28901



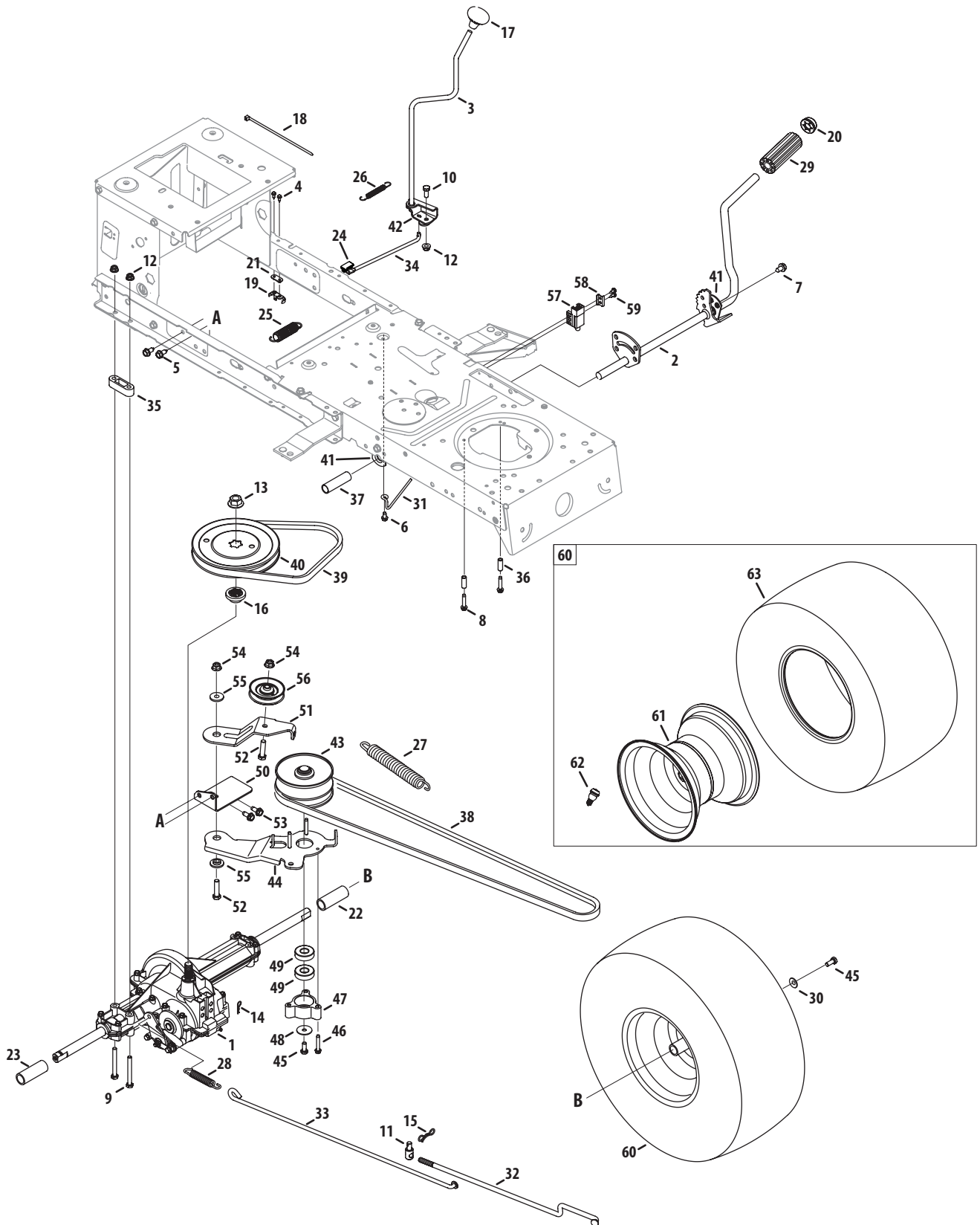
PARTS LIST

Craftsman Lawn Tractor Model 247.28901

| Ref. | Part No. | Description |
|------|------------|------------------------------------|
| 1 | 683-04549 | Muffler Shield Assembly |
| 2 | 710-0227 | Screw, AB #8-18 0.500 |
| 3 | 710-04683 | Tap Screw, 3/8-16 1.000 |
| 4 | 710-0642 | Tap Screw, 1/4-20 0.750 |
| 5 | 710-1314A | Screw, Socket Head, 5/16-18 x .750 |
| 6 | 712-0271 | Sems Nut, 1/4-20 |
| 7 | 721-0208 | Exhaust Gasket |
| 8 | 725-0157 | Cable Tie, 3/16 X .05 X 7.4 |
| 9 | 726-0205 | Hose Clamp, .490 Dia. |
| 10 | 728-04000 | Pop Rivet, .188 Dia X .300 L |
| 11 | 731-05628 | Oil Drain Sleeve |
| 12 | 751-0564B | Muffler Deflector |
| 13 | 751-10349 | Low Permeation Fuel Hose, 1/4 |
| 14 | 751-10353 | Long Muffler Deflector |
| 15 | 751-10448B | Briggs Single Muffler |

PARTS LIST

Craftsman Lawn Tractor Model 247.28901



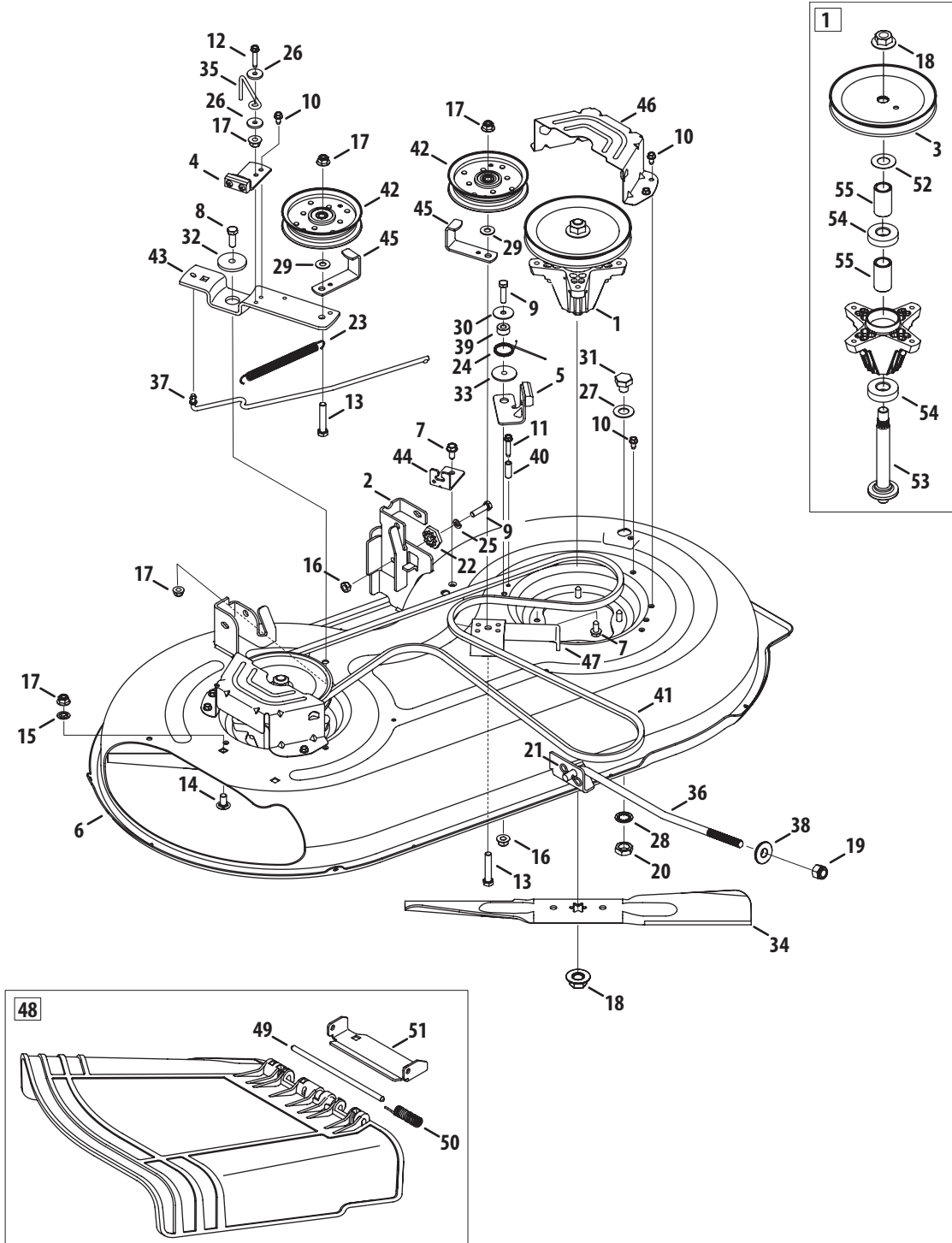
PARTS LIST

Craftsman Lawn Tractor Model 247.28901

| Ref. No. | Part No. | Description | Ref. No. | Part No. | Description |
|----------|-----------------|------------------------------------|----------|-----------------|--------------------------------------|
| 1 | 918-04566 | Transmission Drive Assembly | 33 | 747-05188 | Brake Rod |
| 2 | 647-04034C-0637 | Pedal Assembly | 34 | 747-05243 | Shift Rod, 46" |
| 3 | 647-04035 | Shaft Lever Assembly | 35 | 948-0334 | Spacer, T-Axle |
| 4 | 710-0227 | Screw, 8-18:0.500 | 36 | 750-0566A | Spacer, .260 x .375 x 1.030 LG |
| 5 | 710-04484 | Screw, 5/16-18 x .750 | 37 | 750-0802 | Spacer, .640 ID x .76 OD x 2.63 |
| 6 | 710-0599 | Screw, 1/4-20 x 0.500 | 38 | 954-04249 | V Belt, 5L: 70.90 POLY |
| 7 | 710-0604A | Screw, 5/16-18 x 0.625 | 39 | 954-04265 | V Belt, 5L: 33.8 POLY |
| 8 | 710-0809 | Screw, 1/4-20 x 1.250 | 40 | 756-04432 | Trans. Pulley |
| 9 | 710-1266 | Hex Screw, 5/16-18 x .625 | 41 | 783-04536B-0637 | Pedal Support Bracket |
| 10 | 710-3008 | Hex Screw, 5/16-18 x .75 | 42 | 783-04595A | Shaft Adjust Bracket |
| 11 | 911-04075A | Ferrule, 3/8-24 X .375 DIA. | 43 | 956-04015A | Variable Speed Pulley Assembly |
| 12 | 712-04063 | Flangelock Nut, 5/16-18 | 44 | 753-05147 | Bracket Assembly |
| 13 | 712-0700 | Flange Nut, 9/16-18 | 45 | 710-0627 | Hex Screw, 5/16-24 x .750 |
| 14 | 914-0209 | Cotter Pin INT- .125 DIA | 46 | 710-0778 | Screw, 1/4-20 x 1.500 |
| 15 | 714-04040 | Bow-Tie Cotter Pin | 47 | 718-04261 | Bearing Cup |
| 16 | 718-04407 | Pulley Hub, 5/8 SPLINE | 48 | 736-0362 | Flat Washer, .330 x 1.25 x .06:HT |
| 17 | 720-04028 | Shift Knob | 49 | 941-0600 | Ball Bearing, 17 x 40 x 12 |
| 18 | 725-0157 | Cable Tie | 50 | 683-04176A | Transmission Bracket Assembly |
| 19 | 725-1644 | Short Spring Switch | 51 | 683-04207 | Idler Bracket Assembly |
| 20 | 726-0214 | Push Cap, 5/8 | 52 | 710-0347 | Hex Screw, 3/8-16 x 1.75 |
| 21 | 926-0320 | Plate Insulator Nut | 53 | 710-1260A | Screw, 5/16-18 x 0.750 |
| 22 | 731-04602 | Sleeve, .758 x .821 x 3.3125 | 54 | 712-04065 | Flangelock Nut, 3/8-16 |
| 23 | 731-04604 | Sleeve, .758 x .821 x 2.4375 | 55 | 938-0347 | Shoulder Spacer, .625 ID x .169 |
| 24 | 731-06894 | Shift Bearing Plate | 56 | 756-04325 | Idler Pulley |
| 25 | 732-04306 | Spring Extension, .80 OD x 3.28 LG | 57 | 725-04363 | Switch Interlock |
| 26 | 732-04488 | Spring Extension, .38 OD x 3.25 LG | 58 | 17962 | Plate Switch |
| 27 | 732-04746 | Spring Extension, .94 OD x 6.74 LG | 59 | 738-04237A | Shoulder Screw, #10-32 x .500 |
| 28 | 732-0716D | Spring Extension, .59 OD x 4.00 LG | 60 | 634-04641-0961 | Wheel Assembly, 18 x 9.5 x 8 Sq. Sh. |
| 29 | 735-0239 | Foot Pad, 4.0 LONG | 61 | 634-04369-4042 | Rim Assembly |
| 30 | 736-0242 | Bell Washer, .340 x .872 x .060 | 62 | 934-0255 | Valve Stem |
| 31 | 747-04969 | Belt Keeper Rod | 63 | 734-1729 | Tire, 18 x 9.5 x 8 Sq. Sh. |
| 32 | 747-05186 | Variable Speed Control Rod | — | 925-04085 | Wiring Harness (<i>Not Shown</i>) |

PARTS LIST

Craftsman Lawn Tractor Model 247.28901



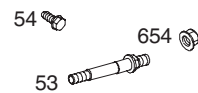
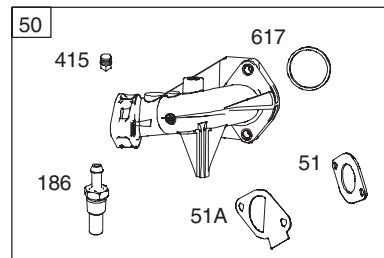
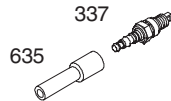
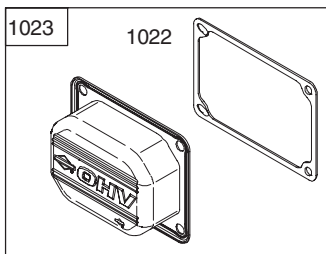
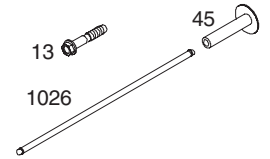
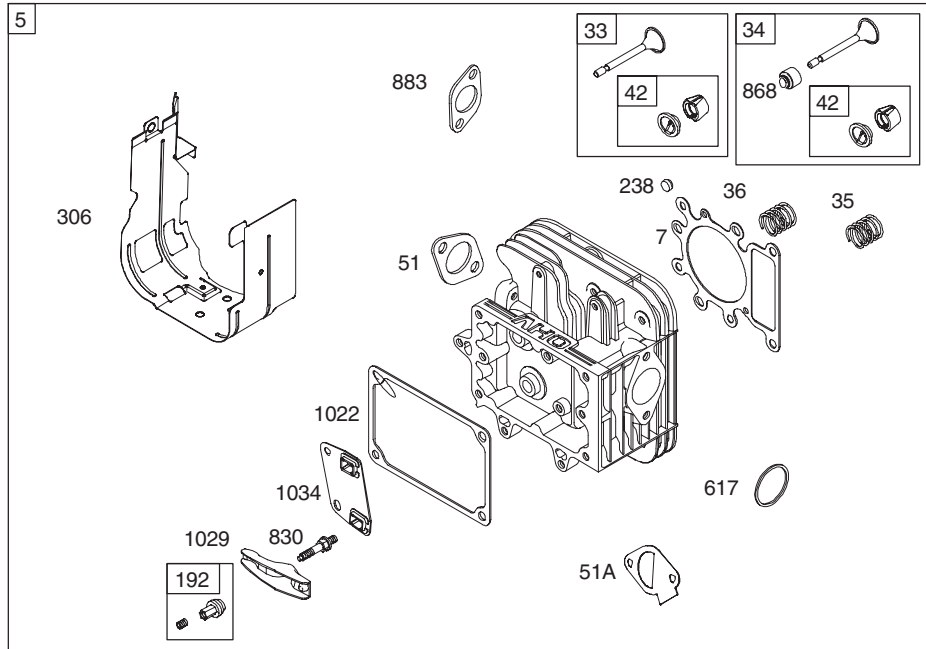
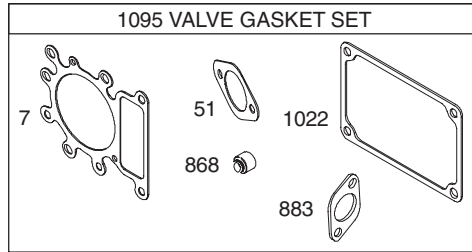
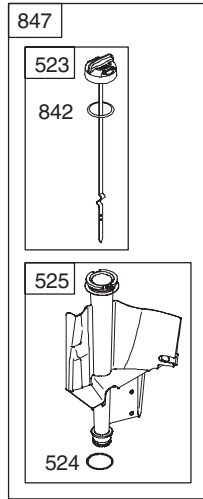
PARTS LIST

Craftsman Lawn Tractor Model 247.28901

| Ref. No. | Part No. | Description | Ref. No. | Part No. | Description |
|----------|----------------|---------------------------------|----------|-----------------|----------------------------------|
| 1 | 918-04822A | Spindle Pulley Assembly | 29 | 736-0262 | Flat Washer, .385 x .870 x .092 |
| 2 | 683-0254B-0637 | Deck Hanger Bracket Assembly | 30 | 736-0362 | Flat Washer, .330 x 1.25 x .06 |
| 3 | 956-1227 | Spindle Pulley | 31 | 738-04146 | Bolt Plug, M16 x 1.5 |
| 4 | 983-04511 | Brake Assembly | 32 | 738-04162A | Shoulder Spacer, .8840 x .190 |
| 5 | 983-04525 | Brake Assembly | 33 | 738-04166 | Shoulder Spacer, .5000 x .1475 |
| 6 | 983-04570-0637 | Deck | 34 | 942-04308 | Cutting Blade, 21.23": 2 in 1 |
| 7 | 710-04484 | Screw, 5/16-18 x .750 | 35 | 747-04530 | Belt Keeper Rod |
| 8 | 710-0514 | Screw, 3/8-16 x 1.00 | 36 | 747-04944B | Deck Lift Rod |
| 9 | 710-0528 | Hex Screw, 5/16-18 x 1.25 | 37 | 747-05105 | Brake Control Rod |
| 10 | 710-0599 | Screw, 1/4-20 x .500 | 38 | 748-04069 | Deck Lift Pivot Cup |
| 11 | 710-0778 | Screw, 1/4-20 x 1.50 | 39 | 750-0258 | Spacer |
| 12 | 710-0809 | Screw, 1/4-20 x 1.250 | 40 | 750-0566A | Spacer |
| 13 | 710-3144 | Hex Head Screw, 3/8-16 | 41 | 954-04060B | V-Type Belt, 96.5 |
| 14 | 710-3178 | Carriage Bolt, 3/8-16 x .75 | 42 | 756-04129B | Idler Pulley, 4.25 Diameter |
| 15 | 712-0229 | Push Nut, 3/8 | 43 | 783-05946 | Idler Pivot Bracket |
| 16 | 712-04063 | Flangelock Nut, 5/16-18 | 44 | 783-06243-0637 | Deck Cable Engagement Bracket |
| 17 | 712-04065 | Flangelock Nut, 3/8-16 | 45 | 783-06368-0637 | Belt Pulley Guard |
| 18 | 712-0417A | Flange Nut, 5/8-18 | 46 | 783-06424A-0637 | Deck Belt Cover |
| 19 | 712-04243 | Flangelock Nut, 1/2-13 | 47 | 783-06643-0637 | Deck Support Bracket |
| 20 | 912-0641 | Hex Nut, M16 - 1.5 | 48 | 631-04460 | Chute Deflector Assembly |
| 21 | 714-04043 | Cotter Pin, Bow-Tie | 49 | 711-04847A | Hinge Pin |
| 22 | 917-04074 | Deck Adjuster Gear | 50 | 732-04372 | Torsion Spring, .44 x 2.0 |
| 23 | 932-0384 | Extension Spring, .62 x 6.12 | 51 | 783-06074A | Chute Bracket |
| 24 | 732-04727 | Torsion Spring, 1.0 x 1.17 | 52 | 936-0351 | Flat Washer, .760 x 1.50 |
| 25 | 936-0119 | Lock Washer, 5/16 | 53 | 738-1186A | Spindle Shaft |
| 26 | 936-0176 | Flat Washer, .265 x 9.38 x .120 | 54 | 941-0919 | Ball Bearing, .787 x 1.85 x .551 |
| 27 | 736-0187 | Flat Washer, .64 x 1.24 x .06 | 55 | 750-04936 | Spacer, .792 x 1.060 x 1.860 |
| 28 | 736-0225 | Flat Washer, .5/8 Int. Tth. | | | |

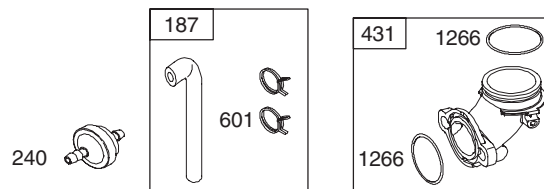
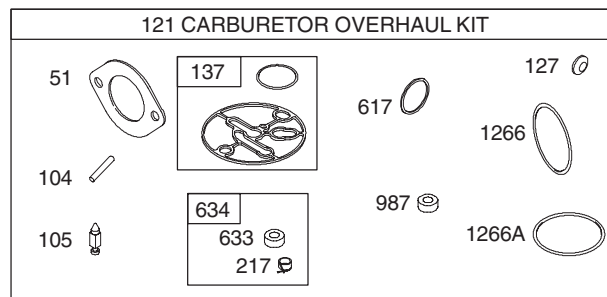
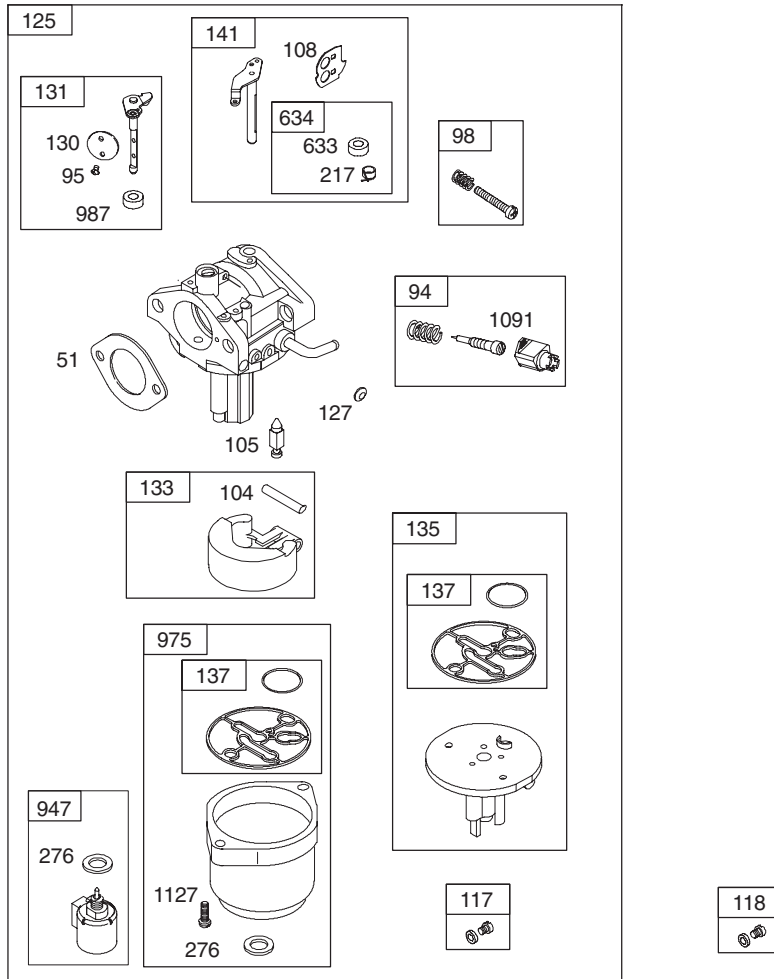
PARTS LIST

Craftsman Engine Model 31C707-1346-B1 For Model 247.28901



PARTS LIST

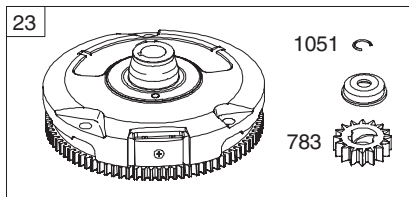
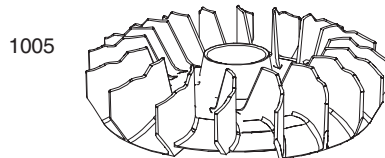
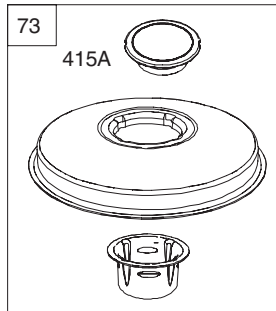
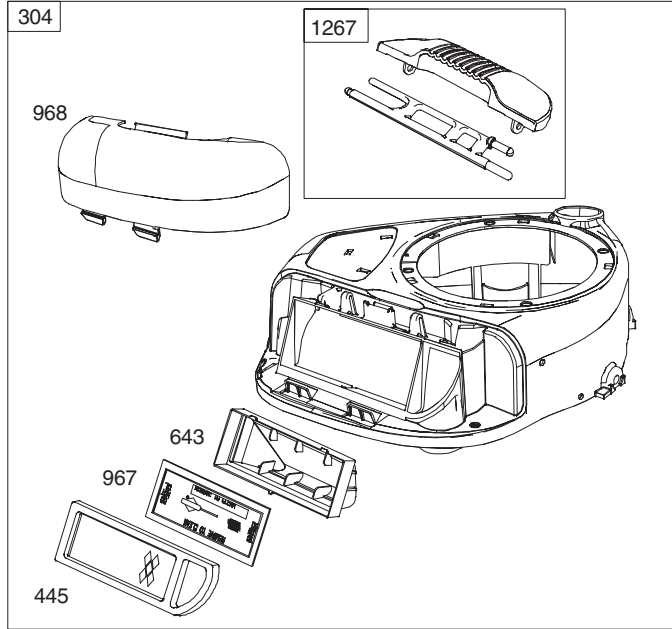
Craftsman Engine Model 31C707-1346-B1 For Model 247.28901



PARTS LIST

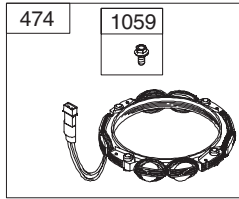
Craftsman Engine Model 31C707-1346-B1 For Model 247.28901


1036 EMISSIONS LABEL

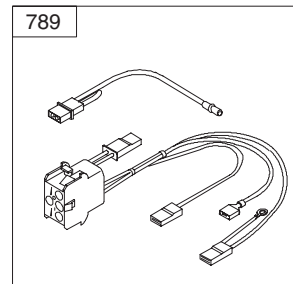
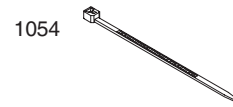
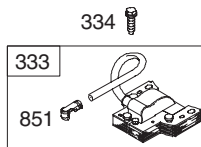
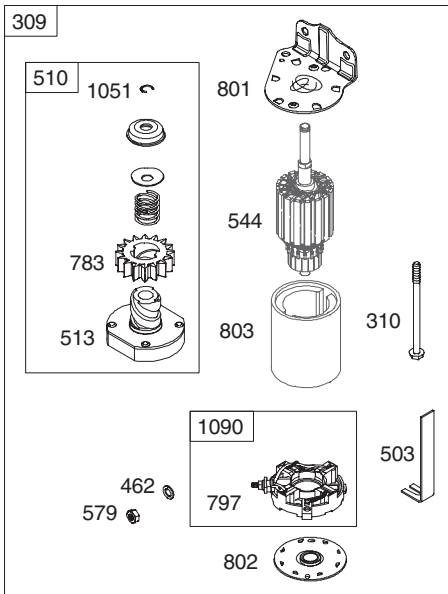


PARTS LIST

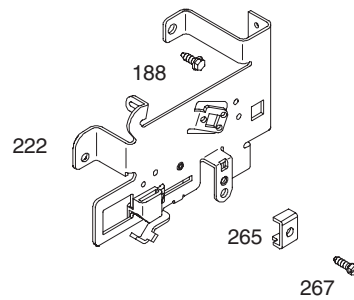
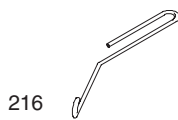
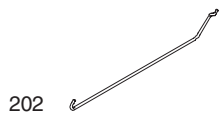
Craftsman Engine Model 31C707-1346-B1 For Model 247.28901



1119 



697 



PARTS LIST

Craftsman Engine Model 31C707-1346-B1 For Model 247.28901

| Ref. No. | Part No. | Description | Ref. No. | Part No. | Description |
|----------|-----------|----------------------------------|----------|----------|---|
| 1 | 796010 | Cylinder Assembly | 98 | 695408 | Kit-Idle Speed |
| 2 | 399265 | Bushing/Seal Kit (Magneto Side) | 104 | 694918Δ | Pin-Float Hinge |
| 3 | 391086s† | Seal-Oil (Magneto Side) | 105 | 696136Δ | Valve-Float Needle |
| 4 | 697106 | Sump-Engine | 108 | 695419 | Valve-Choke |
| 5 | 796025 | Head-Cylinder | 117 | 843099 | Jet-Main (Standard) |
| 7 | 796584†* | Gasket-Cylinder Head | 118 | 790890 | Jet-Main (High Altitude) |
| 11 | 794683 | Tube-Breather | 121 | 796184 | Kit-Carburetor Overhaul |
| 12 | 697110† | Gasket-Crankcase | 125 | 796109 | Carburetor |
| 13 | 793988 | Screw (Cylinder Head) | 127 | 690727Δ | Plug-Welch |
| 15 | 690946 | Plug-Oil Drain | 130 | 699500 | Valve-Throttle |
| 16 | 797579 | Crankshaft | 131 | 699501 | Kit-Throttle Shaft |
| 20 | 795387† | Seal-Oil (PTO Side) | 133 | 694914 | Float-Carburetor |
| 22 | 692125 | Screw (Crankcase Cover/Sump) | 135 | 698780 | Tube-Fuel Transfer |
| 23 | 698281 | Flywheel | 137 | 698781Δ | Gasket-Float Bowl |
| 24 | 222698s | Key-Flywheel | 141 | 792777 | Kit-Choke Shaft |
| 25 | 796172 | Piston Assembly (Standard) | 146 | 691639 | Key-Timing |
| | 796173 | Piston Assembly (.020" Oversize) | 186 | 794873 | Connector-Hose (Intake Manifold) |
| 26 | 791936 | Ring Set (Standard) | 187 | 791805 | Line-Fuel (Formed) (Cut to Required Length) |
| | 792649 | Ring Set (.020" Oversize) | 188 | 691693 | Screw (Control Bracket) |
| 27 | 698469 | Lock-Piston Pin | 192 | 691986 | Adjuster-Rocker Arm |
| 28 | 796007 | Pin-Piston | 202 | 691841 | Link-Mechanical Governor |
| 29 | 794122 | Rod-Connecting | 209 | 692208 | Spring-Governor (Green) |
| 32 | 791118 | Screw (Connecting Rod) | 216 | 691840 | Link-Choke |
| 33 | 792868 | Valve-Exhaust | 217 | 695409 | Spring-Choke Return |
| 34 | 791935 | Valve-Intake | 222 | 694042 | Bracket-Control |
| 35 | 691279 | Spring-Valve (Intake) | 227 | 691374 | Lever-Governor Control |
| 36 | 691279 | Spring-Valve (Exhaust) | 232 | 691842 | Spring-Governor Link |
| 37 | 697352 | Guard-Flywheel | 238 | 691843 | Cap-Valve |
| 42 | 499586 | Keeper-Valve | 240 | 394358s | Filter-Fuel |
| 43 | 691968 | Slinger-Governor/Oil | 265 | 691024 | Clamp-Casing |
| 45 | 690564 | Tappet-Valve | 267 | 794904 | Screw (Casing Clamp) |
| 46 | 793880 | Gear-Cam | 276 | 695410 | Washer-Sealing |
| 48 | 697761 | Short Block | 304 | 796416 | Blower Housing |
| 50 | 796180 | Manifold-Intake | 305 | 697102 | Screw (Blower Housing) (1/4-20x1.14) |
| 51 | 692137†*? | Gasket-Intake | 305A | 793376 | Screw (Blower Housing) (1/4-20x.68) |
| 51A | 796081 | Gasket-Intake | 306 | 796006 | Shield-Cylinder |
| 53 | 690227 | Stud (Carburetor) | | | |
| 54 | 691148 | Screw (Intake Manifold) | | | |
| 78 | 691003 | Screw (Flywheel Guard) | | | |
| 94 | 793610 | Kit-Idle Mixture | | | |
| 95 | 690718 | Screw (Throttle Valve) | | | |

PARTS LIST

Craftsman Engine Model 31C707-1346-B1 For Model 247.28901

| Ref. No. | Part No. | Description | Ref. No. | Part No. | Description |
|----------|----------|--|----------|-----------|---|
| 307 | 691003 | Screw (Cylinder Shield) | 643 | 698401 | Retainer-Air Filter |
| 309 | 693551 | Motor-Starter | 654 | 690958 | Nut (Carburetor) |
| 310 | 690323 | Screw (Starter Motor) | 684 | 697157 | Screw (Breather Assembly) |
| 324 | 796308 | Screen/Cup Assembly | 691 | 692407† | Seal-Governor Shaft |
| 333 | 795315 | Armature-Magneto | 718 | 690959 | Pin-Locating |
| 334 | 691061 | Screw (Magneto Armature) | 724 | 697478 | Link-Starter Switch |
| 337 | 491055s | Plug-Spark | 729 | 691224 | Clip-Wire |
| 358 | 796187 | Gasket Set-Engine | 741 | 697128 | Gear-Timing |
| 404 | 691691 | Washer (Governor Crank) | 757 | 793242 | Link-Counterweight |
| 415 | 690283 | Plug (Intake Manifold) | 758 | 793763 | Counterweight |
| 415A | 794129 | Plug (Cover/Retainer) | 759 | 697392 | Pin-Counterweight |
| 431 | 697122 | Elbow-Intake | 783 | 693713 | Gear-Pinion |
| 445 | 797008 | Filter-Air Cleaner Cartridge | 789 | 698329 | Harness-Wiring |
| 462 | 691261 | Washer (Starter Cable) | 797 | 693167 | Nut (Brush Retainer) |
| 474 | 696459 | Alternator | 801 | 691283 | Cap-Drive |
| 503 | 691532 | Strap-Starter | 802 | 691286 | Cap-End |
| 505 | 691251 | Nut (Governor Control Lever) | 803 | | Housing-Starter (For Replacement, Order Reference 309, 693551, Starter Motor) |
| 510 | 693699 | Drive-Starter | 830 | 691095 | Stud-Rocker Arm |
| 513 | 692024 | Clutch-Drive | 842 | 691031† | Seal-O Ring (Dipstick Tube) |
| 523 | 699908 | Dipstick | 847 | 790442 | Dipstick/Tube Assembly |
| 524 | 691032† | Seal-Dipstick Tube | 850 | 100106 | Sealant-Liquid |
| 525 | 697184 | Tube-Dipstick | 851 | 692424 | Terminal-Spark Plug |
| 544 | | Armature-Starter (For Replacement, Order Reference 309, 693551, Starter Motor) | 868 | 690968†* | Seal-Valve |
| 552 | 697144 | Bushing-Governor Crank | 883 | 692236† | Gasket-Exhaust |
| 562 | 691119 | Screw (Governor Control Lever) | 914 | 697551 | Screw (Rocker Cover) |
| 579 | 691029 | Nut (Starter Cable) | 947 | 699915 | Solenoid-Fuel |
| 584 | 794682 | Cover-Breather Passage (Use with Liquid Sealant, Reference 850) | 967 | 697015 | Filter-Pre Cleaner |
| 585 | 697109† | Gasket-Breather Passage | 968 | 698403 | Cover-Air Cleaner |
| 601 | 791850 | Hose-Clamp (Green) | 975 | 699502 | Bowl-Fuel |
| 614 | 691620 | Pin-Cotter (Governor Crank) | 987 | 698777Δ | Seal-Throttle Shaft |
| 616 | 692012 | Crank-Governor | 1005 | 796083 | Fan-Flywheel |
| 617 | 692138†Δ | Seal-O Ring (Intake Manifold) (Red) | 1022 | 272475s†* | Gasket-Rocker Cover |
| 633 | 699813 | Seal-Choke/Throttle Shaft (Choke Shaft) | 1023 | 797421 | Cover-Rocker |
| 634 | 698779Δ | Spring/Seal Assembly (Choke Shaft) | 1026 | 692003 | Rod-Push (Intake) |
| 635 | 691909 | Boot-Spark Plug | | 692011 | Rod-Push (Exhaust) |
| | | | 1029 | 691751 | Arm-Rocker |

PARTS LIST

Craftsman Engine Model 31C707-1346-B1 For Model 247.28901

| Ref. No. | Part No. | Description |
|----------|----------------|--|
| 1034 | 690822 | Guide-Push Rod |
| 1036 | | Label-Emissions (Available from a Briggs & Stratton Authorized Dealer) |
| 1040 | 698368 | Plate-Trim |
| 1044 | 698139 | Screw (Flywheel) |
| 1051 | 691265 | Ring-Retaining |
| 1054 | 280275 | Tie-Cable |
| 1058 | 276344 | Operator's Manual |
| 1059 | 698516 | Kit-Screw/Washer (Alternator) |
| 1090 | 691293 | Retainer-Brush |
| 1091 | 691333 | Cap-Limiter |
| 1095 | 794152 | Gasket Set-Valve |
| 1119 | 691183 | Screw (Alternator) |
| 1127 | 695407 | Screw (Float Bowl) |
| 1263 | 697124 | Reed-Breather |
| 1264 | 697104 | Screw (Breather Reed) |
| 1266 | 691917†Δ | Seal-O Ring (Intake Elbow) (Red) |
| 1266A | 697123Δ | Seal-O Ring (Intake Elbow) |
| 1267 | 697419 | Latch-Blower Housing |
| 1270 | 793243 | Plug-AVS Counterweight |
| 1329 | 31C707-0026-G1 | Replacement Engine |
| 1330 | 272147 | Repair Manual |

- † Engine Gasket Set Key No. 358
- * Valve Gasket Set Key No. 1095
- Δ Carburetor Overhaul Kit Key No. 121