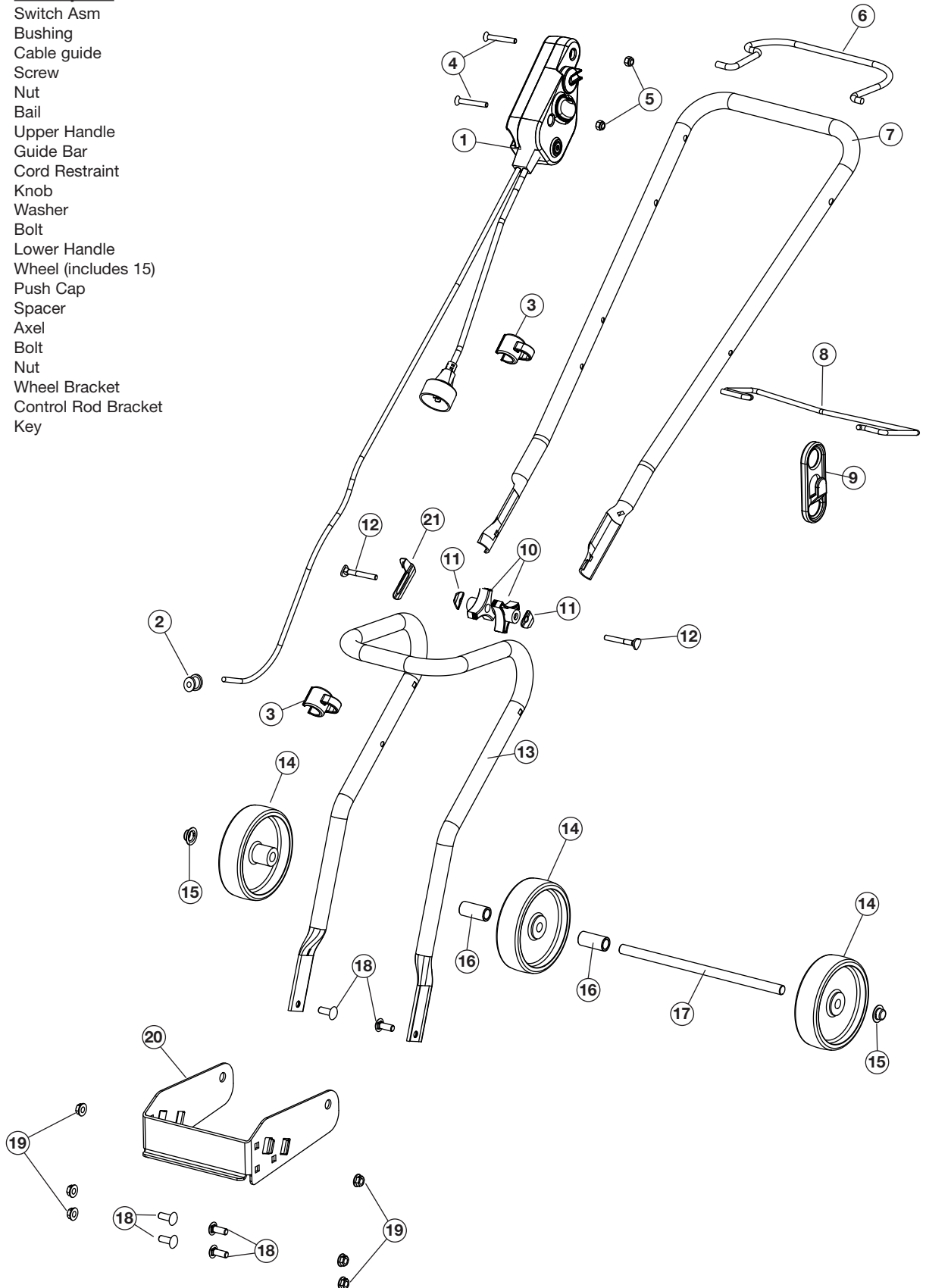


# HANDLE PARTS - ELECTRIC SNOW THROWER

31C-040-701

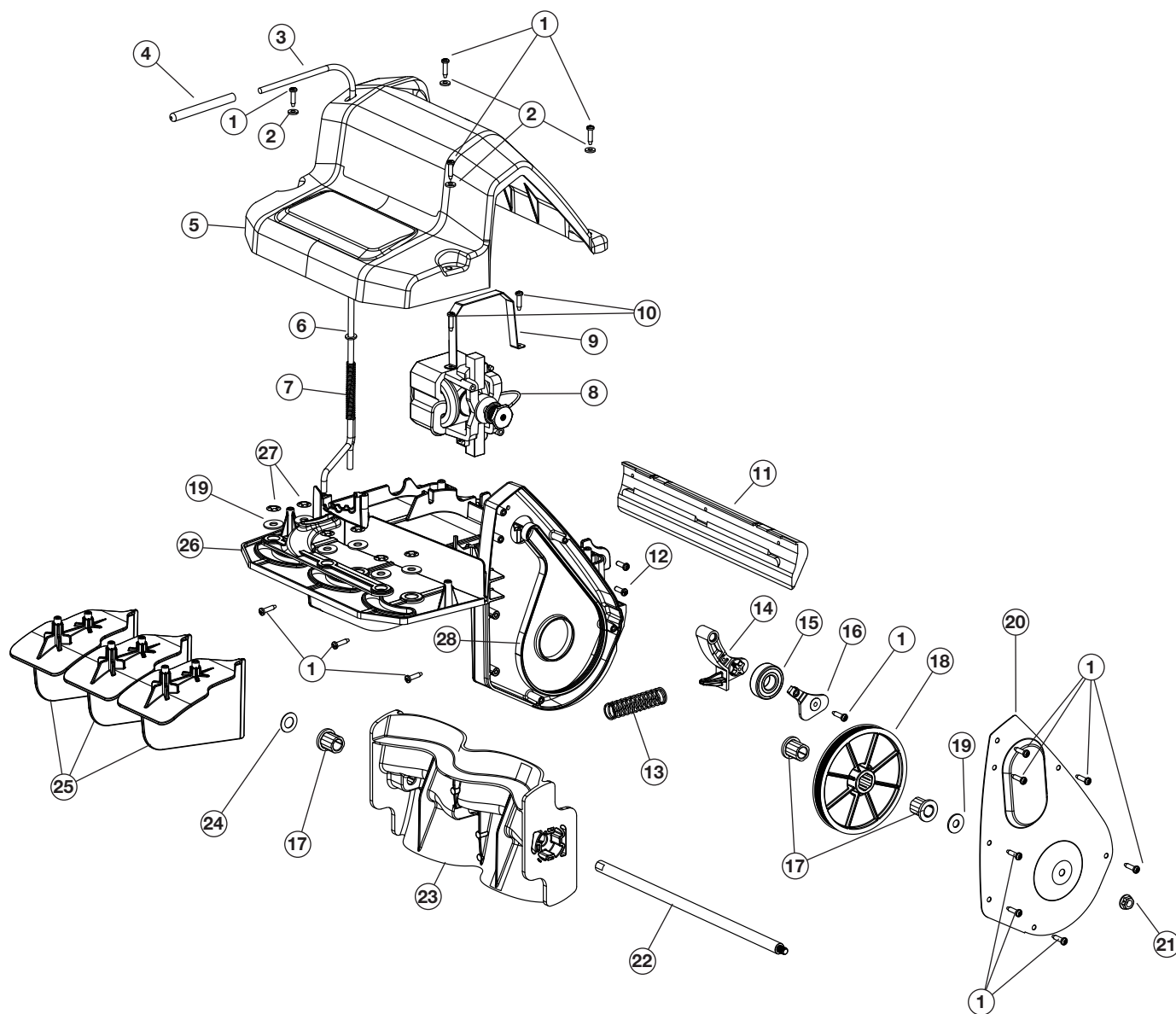
Item	Part No.	Description
1	753-06235	Switch Asm
2	753-04428	Bushing
3	753-04429	Cable guide
4	753-04430	Screw
5	753-04431	Nut
6	753-04432	Bail
7	753-04433	Upper Handle
8	753-04434	Guide Bar
9	753-04435	Cord Restraint
10	791-182677	Knob
11	753-04052	Washer
12	791-182899	Bolt
13	753-04436	Lower Handle
14	753-04437	Wheel (includes 15)
15	753-04062	Push Cap
16	753-05384	Spacer
17	753-04439	Axel
18	791-182213	Bolt
19	753-05383	Nut
20	753-04440	Wheel Bracket
21	753-04441	Control Rod Bracket
*	753-06236	Key

\* Not shown



# MOTOR PARTS - ELECTRIC SNOW THROWER

## 31SC-040-701



Item	Part No.	Description
------	----------	-------------

1	791-181345	Screw
2	791-182409	Washer
3	791-00012	Vane Control Handle
4	791-00001	Grip
5	753-04416	Cover
6	753-04079	Washer
7	791-00002	Spring
8	753-05382	Motor Assm w/Baffle, Fan & Pulley
9	753-04422	Motor Strap
10	753-05274	Screw
11	791-00010	Scraper
12	753-05619	Screw
13	791-00015	Spring
14	791-00016	Idler Arm
15	753-04081	Ball Bearing
16	791-00017	Keeper
17	753-04082	Flange Bearing

Item	Part No.	Description
------	----------	-------------

18	791-00018	Driven Pulley
19	753-04080	Washer
20	753-04443	Belt Case Cover
21	753-04056	Flange Lock Nut
22	791-00022	Axle Auger
23	753-04423	Auger
24	791-182910	Washer
25	791-00020	Vane
26	753-04425	Snow Thrower Housing
27	791-00013	Push Nut
28	791-00014	Drive Belt