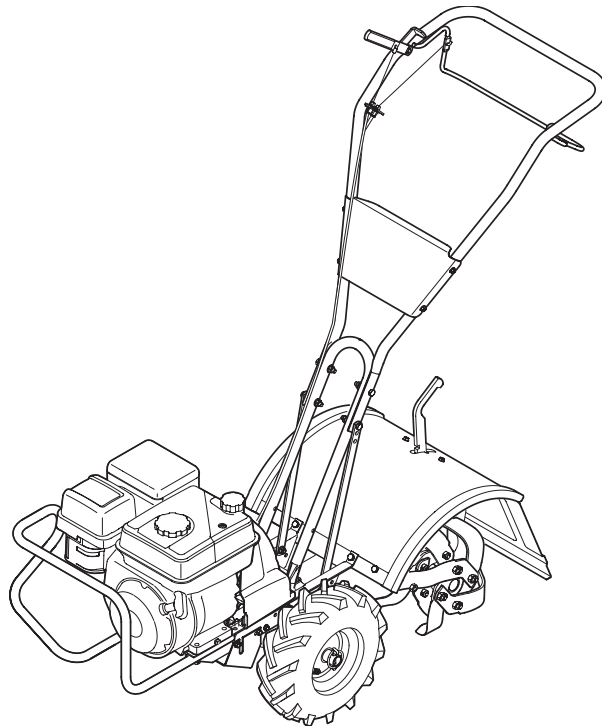




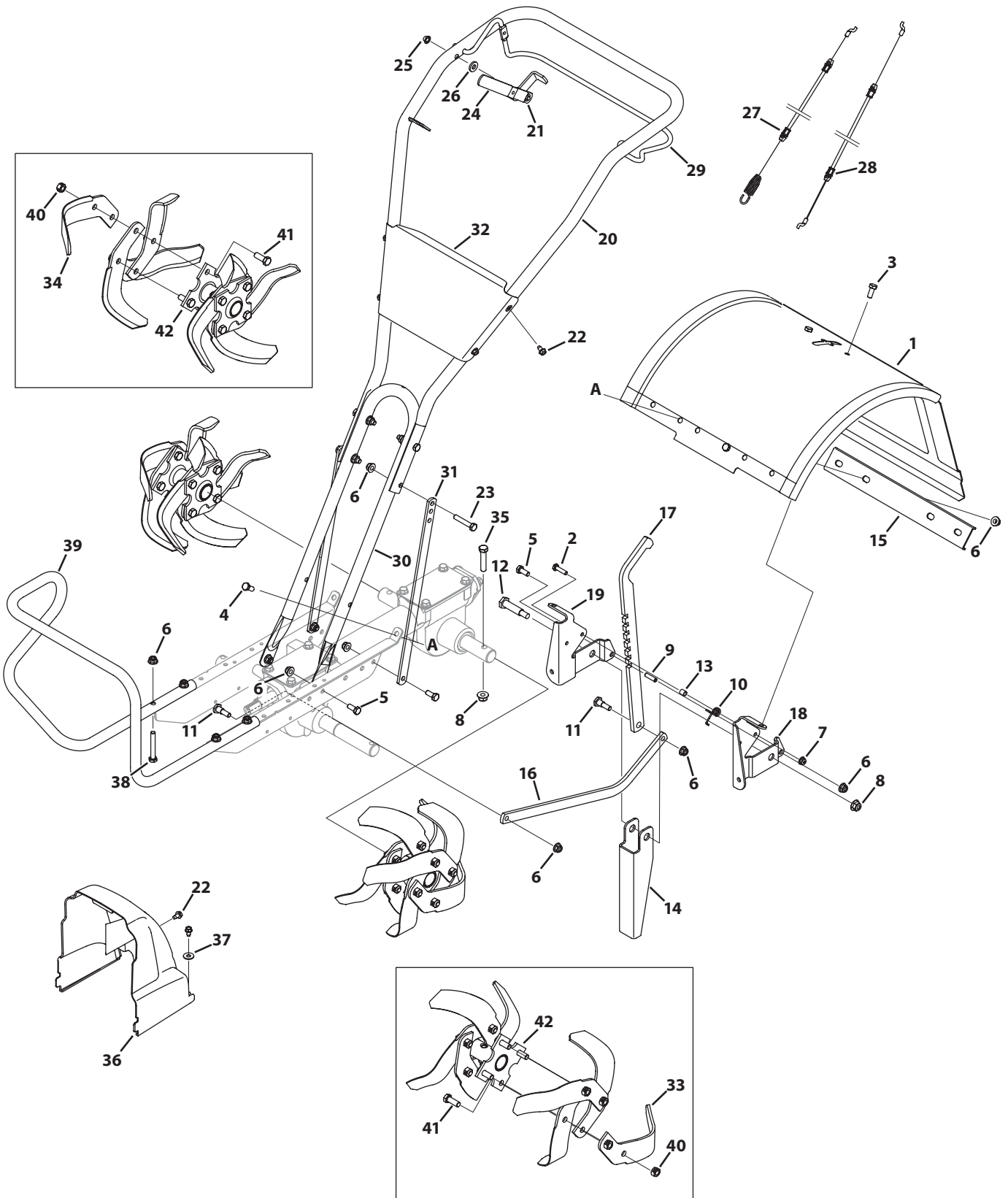
ILLUSTRATED PARTS MANUAL



Small Frame Tiller - 64 & 65 Series

TROY-BILT LLC, P.O. BOX 361131 CLEVELAND, OHIO 44136-0019

64 & 65 Series Handle, Tine Shields, and Tines

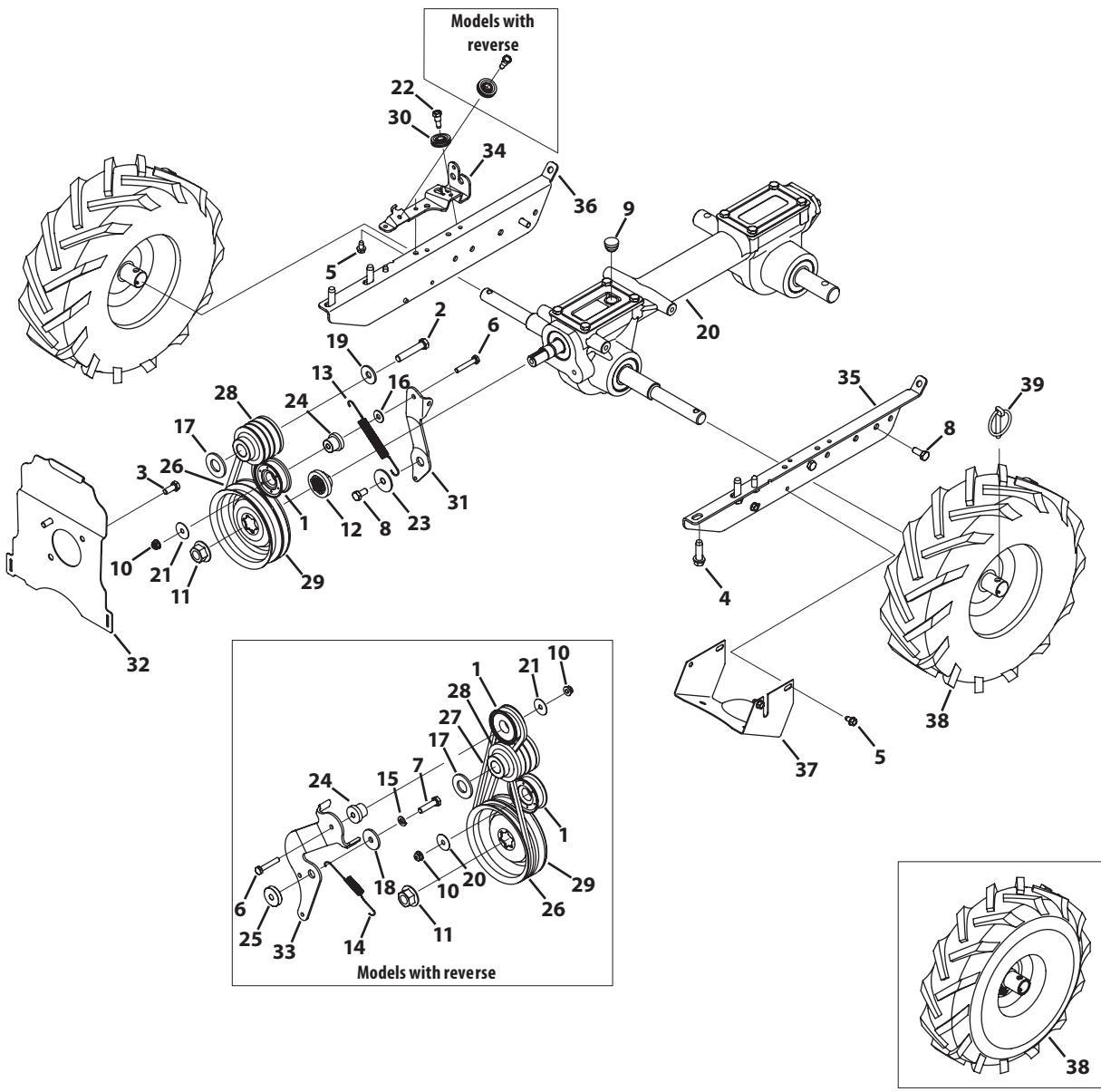


64 & 65 Series Bronco Handle, Tine Shields, and Tines

Ref.	Part Number	Description	Ref.	Part Number	Description
1*	686-04077-0638	Tine Shield Assembly	22	710-0599	Screw, 1/4-20 x 0.500
1	686-04076-0638	Tine Shield Assembly	23	710-0805	Hex Head Screw, 5/16-18 x 1.50
2	710-0597	Hex Head Screw, 1/4-20 x 1.00	24*	720-0270A	Reverse Handle Grip
3	710-0604A	Screw, 5/16-18 x 0.625	25*	726-0135	Speed Nut, Cap, .3125 DIA.
4	710-1238	Hex Head Washer, 5/16-18 x .875	26*	936-3008	Flat Washer, .344 x .750 x .120
5	710-3008	Hex Head Screw, 5/16-18 x .75	27	746-04413	Forward Cable
6	712-04063	Flangelock Nut, 5/16-18	28*	746-04414	Reverse Cable
7	712-04064	Flangelock Nut, 1/4-20	29	747-04789-0637	Clutch Bail
8	712-04065	Flangelock Nut, 3/8-16	30	749-04208-0638	Lower Handle
9	715-0108	Spring Pin, 1/4 DIA x 1.00 LG	31	786-04188-0638	Support Handle Bracket
10	732-04320	Torsion Spring	32	786-04200-0638	Handle Panel
11	738-04320	Screw, Shoulder, 5/16-18 x .405 x .435	33	742-04226-0637	LH Bolo Tine
12	938-0533	Screw, Shoulder, \$r .498 x 1.635	34	742-04227-0637	RH Bolo Tine
13	750-05349	Spacer, Split, .350 x .268 x .375	35	710-0347	Hex Head Screw, 3/8-16 x 1.75
14	786-04092-0638	Stop Reverse Arm	36	731-06170	Belt Cover
15	786-04098-0638	Support Channel Bracket	37	736-0173	Washer, Flat, .28 x .74 x .063
16	786-04104-0638	Depth Drag Bar	38*	710-0395	Hex Head Screw, 5/16-18 x 2.25
17	786-04292-0638	Depth Adjuster Bar	39*	749-04193-0637	Bumper
18	786-04363-0638	LH Tail Bracket	40	912-3000	Nut, Hexlock, 3/8-16
19	786-04364-0638	RH Tail Bracket	41	710-0514	Hex Head Screw, 3/8-16 x 1.00
20	649-04066-0638	Upper Handle Assembly	42*	686-04065-0637	Tine Holder Assembly
21*	686-04098-0638	Reverse Handle Assembly	42	686-04066-0638	Tine Holder Assembly

* 65 Series

64 & 65 Series Drive System



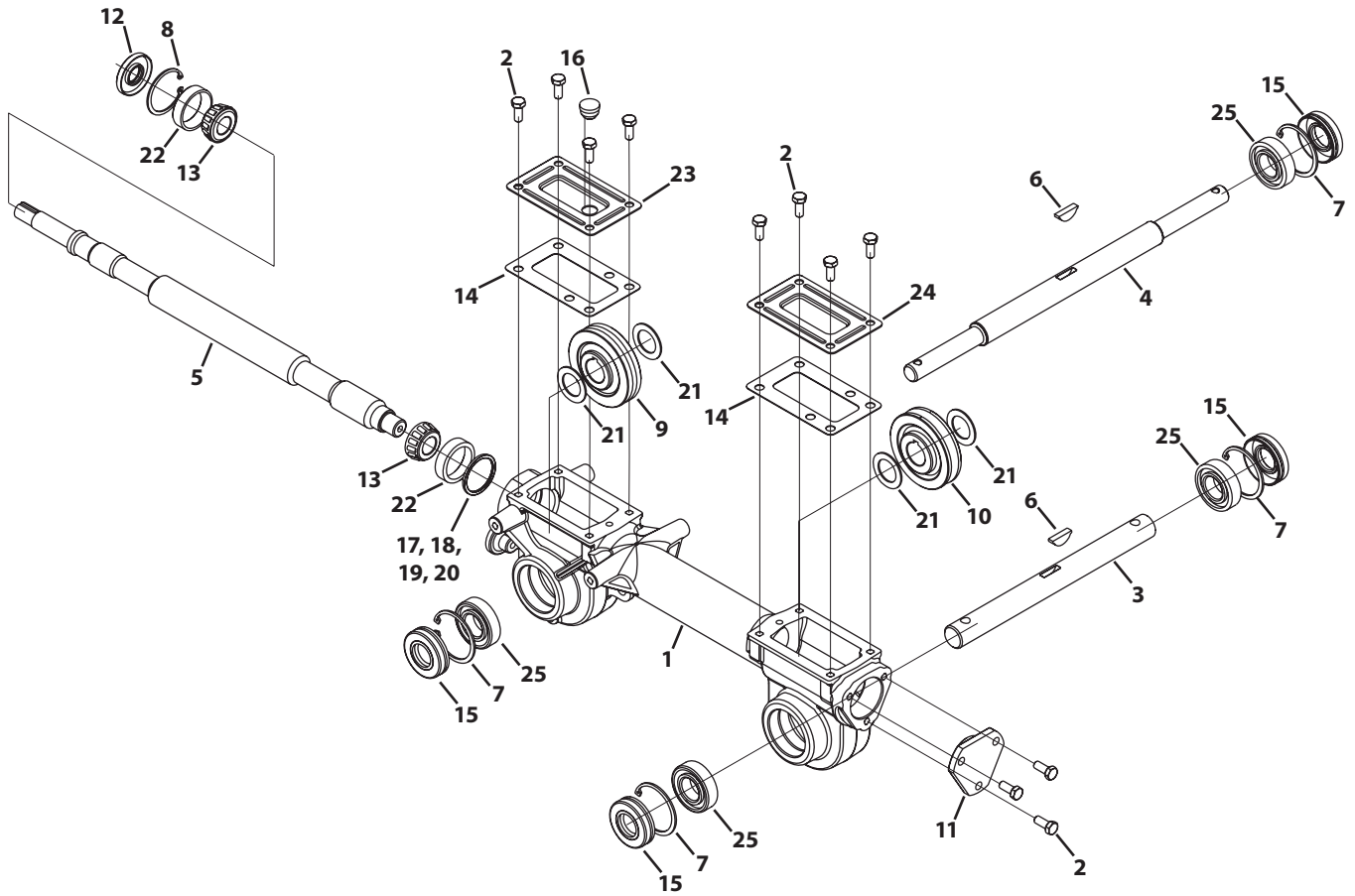
64 & 65 Series Drive System

Ref.	Part Number	Description
1	684-04168	Idler Pulley Assembly, 1.917 OD
2	710-0151	Hex Head Screw, 3/8-24 x 2.00
3	710-0170	Hex Head Screw, 5/16-24 x .625
4	710-0502A	Screw, 3/8-16 x 1.250
5	710-0599	Screw, 1/4-20 x 0.500
6	710-0606	Hex Head Screw, 1/4-20 x 1.50
7	710-0672	Hex Head Screw, 5/16-24 x 1.25
8	710-1880	Hex Head Screw, 5/16-18 x .75, Patch
9	721-04271	Oil Plug
10	712-04064	Flangelock Nut, 1/4-20
11	712-0700	Flange Nut, 9/16-18
12	718-04407	Pulley Hub, 5/8 SPLINE
13	732-04085	Extension Spring, .480 OD x 5.00 LG
14	732-04276A	Extension Spring, LT5 PTO
15	936-0119	Washer, Lock, 5/16
16	736-0173	Washer, Flat, .28 x .74 x .063
17	736-0315	Washer, Flat, .760 x 1.50 x .120
18	736-0343	Washer, Flat, .330 x 1.25 x .120
19	936-0452	Washer, Bell, .396 x 1.140 x .095
20	753-06042	Transmission Assembly

Ref.	Part Number	Description
21	736-3092	Washer, Flat, .265 x 1.0 x .030
22	738-04425	Screw, Shoulder, 1/4-28 x .342 x .335
23	748-04087A	Forward Idler Pivot Spacer
24	750-04571	Spacer, Shoulder, .260 x .785 x .538
25	750-04907	Reverse Idler Pivot Spacer
26	1916657	V Belt, 4L x 25.375 LG
27	1916658	V Belt, 3L x 29.125 LG
28	756-04198A	Engine Pulley, 3L & 4L
29	756-04355	Transmission Pulley
30	756-0625	Cable Roller
31	786-04312	Forward Idler Bracket
32	786-04343-0638	Cover Mounting Plate
33	786-04346	Reverse Idler Bracket
34	786-04357-0638	Pulley Mounting Bracket
35	786-04419-0638	LH Mount Frame
36	786-04418-0638	RH Mount Frame
37	786-04371-0638	Pulley Shield
38	934-04232	Wheel, 13 x 5 x 6
*	934-04453	Wheel Assembly, 11 x 4-4
39	714-0143A	Klik Pin, .25 DIA x 1.56

* 64 Series

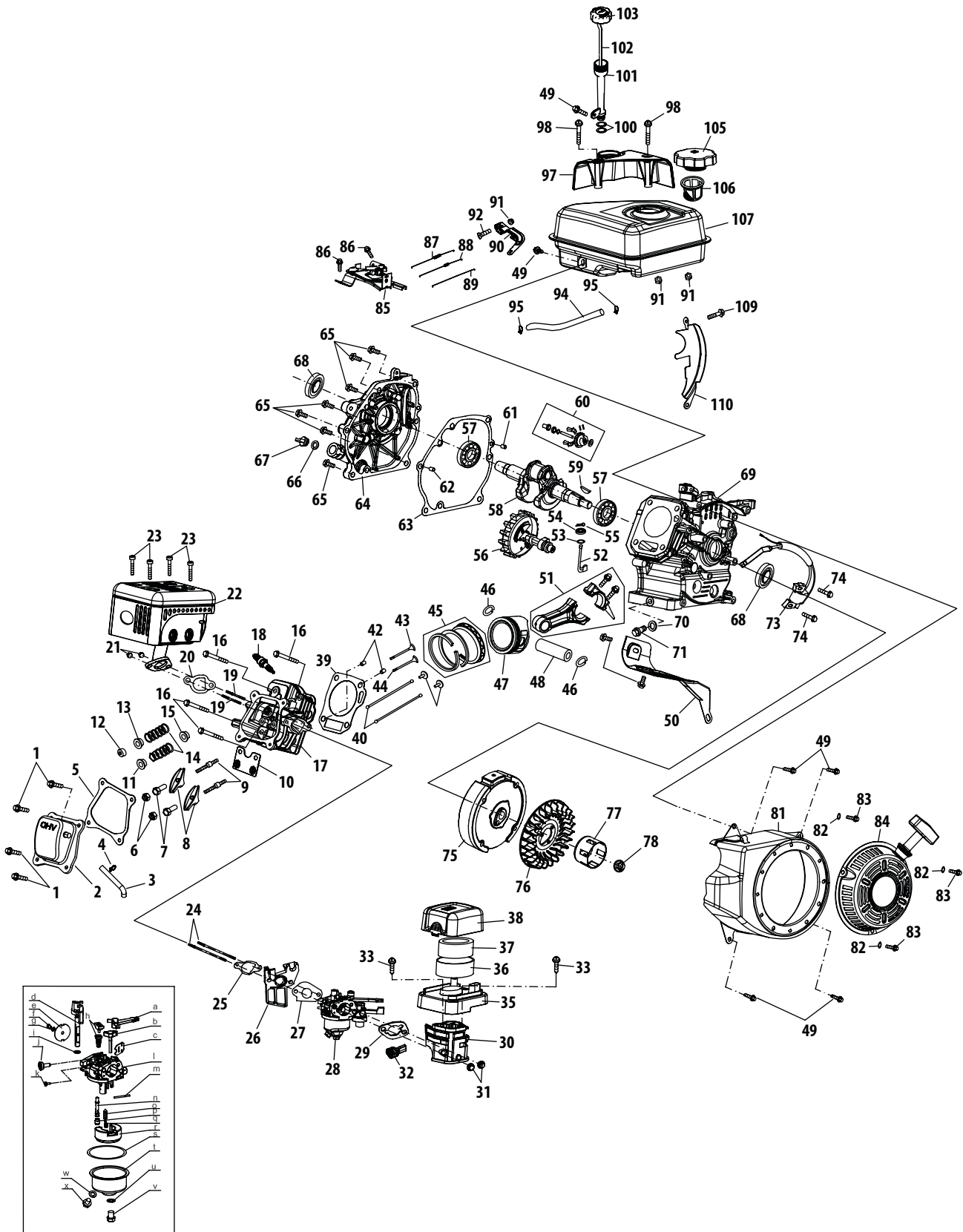
64 & 65 Series Transmission



64 & 65 Series Transmission

Ref.	Part Number	Description
1	919-04202B	Transmission Housing
2	710-3008	Hex Head Screw, 5/16-18 x .75
3	911-04844	Tiller Shaft
4	911-04854	Wheel Shaft
5	711-05035	CRT Drive Shaft
6	714-04059	Key, .25 x 1.062
7	716-0204	Retainer Ring
8	716-04102	Retainer Ring
9	917-04380	RH Gear Worm, 61T
10	917-04381	LH Gear Worm, 30T
11	918-04435	Bearing Cover
12	921-04030	Oil Seal, .750 SHF x 1.783 BORE
13	941-04298	Cone Bearing
14	921-04229	Gear Housing Gasket
15	721-04232	Oil Seal, 1.00 SHF x 2.00 BORE
16	721-04271	Rubber Oil Plug
17	736-04305	Washer, Flat, 1.50 x 1.75 x .062
18	736-04306	Washer, Flat, 1.50 x 1.75 x .005
19	736-04307	Washer, Flat, 1.50 x 1.75 x .03
20	736-04308	Washer, Flat, 1.50 x 1.75 x .010
21	736-0745	Washer, Flat, 1.010 x 1.56 x .060
22	941-04299	Cup Bearing
23	786-04366	Tiller Transmission Cover
24	786-04392	Tiller Transmission Cover
25	741-3114	Ball Bearing, 1 x 52 x 15 x 6205-1

Engine Model - 170-T0A



Engine Model - 170-TOA

Ref No.	Part No.	Description
1	710-04917	Bolt
2	951-11054A	Valve Cover
3	731-07059	Breather Hose
4	726-04101	Breather Hose Clamp
5	951-11565	Valve Cover Gasket
6	751-11124	Nut, Pivot Locking
7	751-11123	Valve Adjusting Nut
9	710-04902	Rocker Arm Stud
16	710-05100	Cylinder Head Bolt
18	951-10292	Spark Plug
19	710-04911	Muffler Stud
21	712-04214	Nut
22	951-10793	Muffler Assembly
23	710-05002	Bolt
24	710-05101	Carburetor Stud
25	751-11567	Carburetor Insulator Gasket
26	951-11568	Carburetor Insulator
27	951-11569	Carburetor Gasket
29	951-11571	Carburetor Gasket Plate
30	951-10806	Air Cleaner Housing
31	712-04213	Nut
32	951-11067	Throttle Control Knob
33	710-05102	Self-Tapping Bolt
39	951-11572	Cylinder Head Gasket
42	715-04090	Dowel Pin
45	951-11253	Piston Ring Set
49	710-04915	Bolt
50	951-11113	Air Shield
51	951-11573	Connecting Rod Assembly
52	951-11356	Governor Arm Shaft
53	736-04461	Governor Shaft O-Ring
54	951-11574	Governor Seal
55	714-04078	Cotter Pin
56	951-11575	Camshaft Assembly
57	951-11369	Radial Ball Bearing
59	951-10307	Flywheel Key
60	951-11576	Governor Assembly
61	715-04092	Dowel Pin, 7 x 14
62	715-04089	Dowel Pin, 9 x 14
63	951-11371	Crankcase Cover Gasket

Ref No.	Part No.	Description
65	710-04932	Bolt
66	951-11577	O-Ring
68	951-11578	Oil Seal
70	736-04440	Oil Drain Plug Washer
71	710-04906	Oil Drain Plug
73	951-10792	Ignition Coil
74	710-04919	Bolt
75	951-10805	Flywheel
76	951-10934	Cooling Fan
77	951-10911	Starter Cup
78	712-04209	Nut
81	951-11583	Blower Housing
82	736-04455	Washer
83	710-04914	Bolt
84	951-10790	Recoil Starter Assembly
85	951-11584	Primer Bracket
86	710-05103	Bolt
87	951-11585	Governor Spring
88	951-10664	Throttle Linkage Spring
89	951-10665	Throttle Linkage
90	951-11106	Governor Arm
91	712-04212	Nut
92	710-04908	Governor Arm Bolt
97	951-10662	Engine/Dipstick Cover
98	710-04905	Bolt
100	951-11380	O-Ring
101	951-10656	Dipstick Tube
106	951-10652	Fuel Filter
107	951-10796	Fuel Tank
109	710-04918	Bolt
110	951-11109	Blower Housing Shield
a	951-11177	Choke Control Lever
s	951-11589	Fuel Bowl Gasket
u	710-04904	Fuel Bowl Bolt Gasket
v	710-04945	Fuel Bowl Mounting Bolt
w	951-11349	Fuel Drain Plug Gasket
x	710-04903	Fuel Drain Bolt
—	951-10829	Spark Arrestor (Not Shown)
—	951-10651	Fuel Tank Nipple (Not Shown)

NOTE: Illustrated parts without a numeric call-out are not servicable components.

Engine Model - 170-T0A

Ref No.	Part No.	Description	Ref No.	Part No.	Description
—	951-10798A	Short Block	—	951-10799	Cylinder Head Assembly
5	951-11565	Valve Cover Gasket	5	951-11565	Valve Cover Gasket
20	—	Exhaust Pipe Gasket	7	751-11123	Valve Adjusting Nut
25	751-11567	Carburetor Insulator Gasket	8	—	Rocker Arm
26	951-11568	Carburetor Insulator	9	710-04902	Rocker Arm Stud
29	951-11571	Carburetor Gasket Plate	10	—	Push Rod Guide
39	951-11572	Cylinder Head Gasket	11	—	Valve Spring Retainer-Intake
41	—	Valve Lifter	12	—	Exhaust Valve Adjustor
45	951-11253	Piston Ring Set	13	—	Valve Spring Retainer-Exhaust
46	—	Piston Pin Clip	14	—	Valve Spring
47	—	Piston	17	—	Cylinder Head
48	—	Piston Pin	20	—	Exhaust Pipe Gasket
51	951-11573	Connecting Rod Assembly	25	751-11567	Carburetor Insulator Gasket
52	951-11356	Governor Arm Shaft	26	951-11568	Carburetor Insulator
53	736-04461	Governor Shaft O-Ring	39	951-11572	Cylinder Head Gasket
54	951-11574	Governor Seal	42	715-04090	Dowel Pin
55	714-04078	Cotter Pin	43	—	Exhaust Valve
56	951-11575	Camshaft Assembly	44	—	Intake Valve
57	951-11369	Radial Ball Bearing	—	951-11586	Crankcase Cover Kit
58	—	Crankshaft Assembly	57	951-11369	Radial Ball Bearing
60	951-11576	Governor Assembly	63	951-11371	Crankcase Cover Gasket
61	715-04092	Dowel Pin, 7 x 14	64	—	Crankcase Cover
62	715-04089	Dowel Pin, 9 x 14	65	710-04932	Bolt
63	951-11371	Crankcase Cover Gasket	68	951-11578	Oil Seal
64	—	Crankcase Cover	—	951-11588	Crankcase Kit
65	710-04932	Bolt	52	951-11356	Governor Arm Shaft
66	951-11577	O-Ring	53	736-04461	Governor Shaft O-Ring
67	—	Oil Filler Plug	54	951-11574	Governor Seal
68	951-11578	Oil Seal	55	714-04078	Cotter Pin
69	—	Crankcase Complete	57	951-11369	Radial Ball Bearing
70	736-04440	Oil Drain Plug Washer	68	951-11578	Oil Seal
71	710-04906	Oil Drain Plug	69	—	Crankcase Complete
—	951-11587	Crankshaft Kit	—	951-10801A	Gasket Kit - External
57	951-11369	Radial Ball Bearing	20	—	Exhaust Pipe Gasket
58	—	Crankshaft Assembly	25	751-11567	Carburetor Insulator Gasket
59	951-10307	Flywheel Key	27	951-11569	Carburetor Gasket
63	951-11371	Crankcase Cover Gasket	66	951-11577	O-Ring
68	951-11578	Oil Seal	70	736-04440	Oil Drain Plug Washer
—	951-11063A	Valve Cover Gasket Kit	—	951-10818	Air Cleaner Housing Assembly
2	951-11054A	Valve Cover	35	—	Lower Housing
5	951-11565	Valve Cover Gasket	38	—	Upper Housing

NOTE: Illustrated parts without a numeric call-out are not servicable components.

Engine Model - 170-T0A

Ref No.	Part No.	Description
28	951-10797	Carburetor Assembly
a	951-11177	Choke Control Lever
b	—	Choke Shaft
c	—	Choke Plate
d	—	Throttle Shaft
e	—	Throttle Plate
f	—	Screw
g	—	Lock Washer
h	—	Idle Jet Assembly
i	—	Throttle Plate Gasket
j	—	Idle Speed Adjusting Screw
k	—	Mixture Screw
l	—	Carburetor Body
m	—	Float Pin
n	—	Main Nozzle
o	—	Needle Valve (Float)
p	—	Main Jet
q	—	Needle Valve Spring
r	—	Float
s	951-11589	Fuel Bowl Gasket
t	—	Fuel Bowl
u	710-04904	Fuel Bowl Bolt Gasket
v	710-04945	Fuel Bowl Mounting Bolt
w	951-11349	Fuel Drain Plug Gasket
x	710-04903	Fuel Drain Bolt
—	951-10800A	Carburetor Kit - Major
a	951-11177	Choke Control Lever
h	—	Idle Jet Assembly
i	—	Throttle Plate Gasket
j	—	Idle Speed Adjusting Screw
m	—	Float Pin
n	—	Main Nozzle
o	—	Needle Valve (Float)
p	—	Main Jet
q	—	Needle Valve Spring
r	—	Float
s	951-11589	Fuel Bowl Gasket
u	710-04904	Fuel Bowl Bolt Gasket
w	951-11349	Fuel Drain Plug Gasket
—	951-10648	Push Rod Kit
40	—	Push Rod

Ref No.	Part No.	Description
—	951-10647	Valve Kit
43	—	Exhaust Valve
44	—	Intake Valve
—	951-10655	Dipstick Assembly
102	—	Dipstick Gauge
103	—	Dipstick Cap
—	951-10669	Oil Fill Plug Assembly
66	951-11577	O-Ring
67	—	Oil Filler Plug
—	951-10650	Fuel Line Kit
94	—	Fuel Hose
95	—	Hose Clamp
—	951-10657	Muffler Stud Assembly
19	710-04911	Muffler Stud
—	951-10819	Cylinder Head Service Kit
5	951-11565	Valve Cover Gasket
15	—	Valve Seal
16	710-05100	Cylinder Head Bolt
39	951-11572	Cylinder Head Gasket
—	951-10794	Air Cleaner
36	—	Air Cleaner Foam Wrap
37	—	Air Cleaner Element
—	951-10802A	Gasket Kit - Complete
5	951-11565	Valve Cover Gasket
20	—	Exhaust Pipe Gasket
25	751-11567	Carburetor Insulator Gasket
26	951-11568	Carburetor Insulator
27	951-11569	Carburetor Gasket
29	951-11571	Carburetor Gasket Plate
39	951-11572	Cylinder Head Gasket
53	736-04461	Governor Shaft O-Ring
63	951-11371	Crankcase Cover Gasket
66	951-11577	O-Ring
68	951-11578	Oil Seal
70	736-04440	Oil Drain Plug Washer
105	951-10917	Fuel Cap
—	—	Gasket (Not Shown)
—	—	Gasket Retainer (Not Shown)
—	951-10826	Recoil Spring & Pulley Assembly
—	—	Starter Pulley (Not Shown)
—	—	Recoil Spring (Not Shown)

NOTE: Illustrated parts without a numeric call-out are not servicable components.