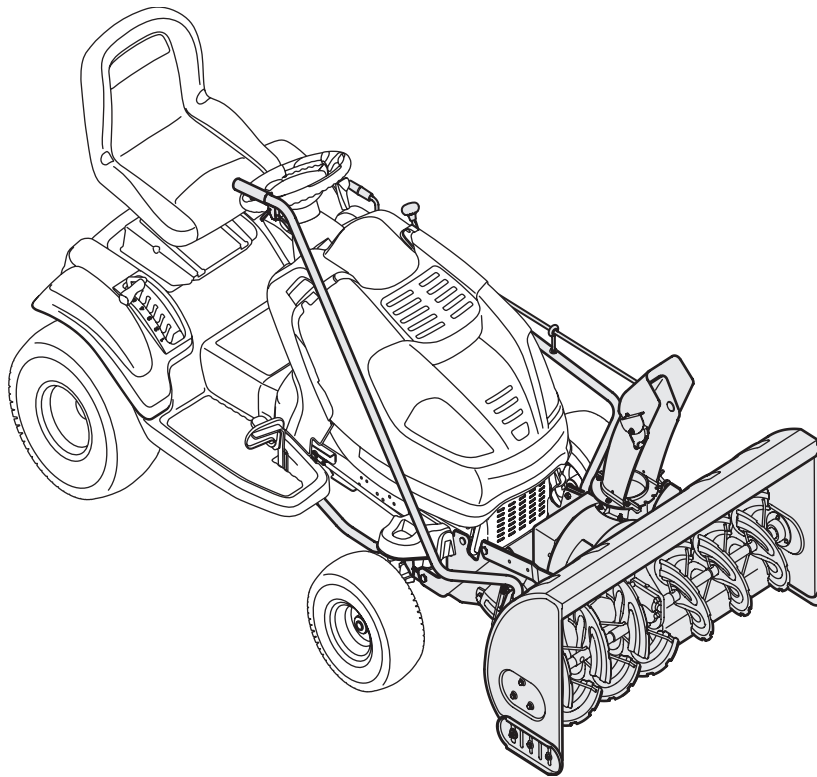


# OPERATOR'S MANUAL



## Two-Stage Snow Thrower Attachment — 19A70009OEM

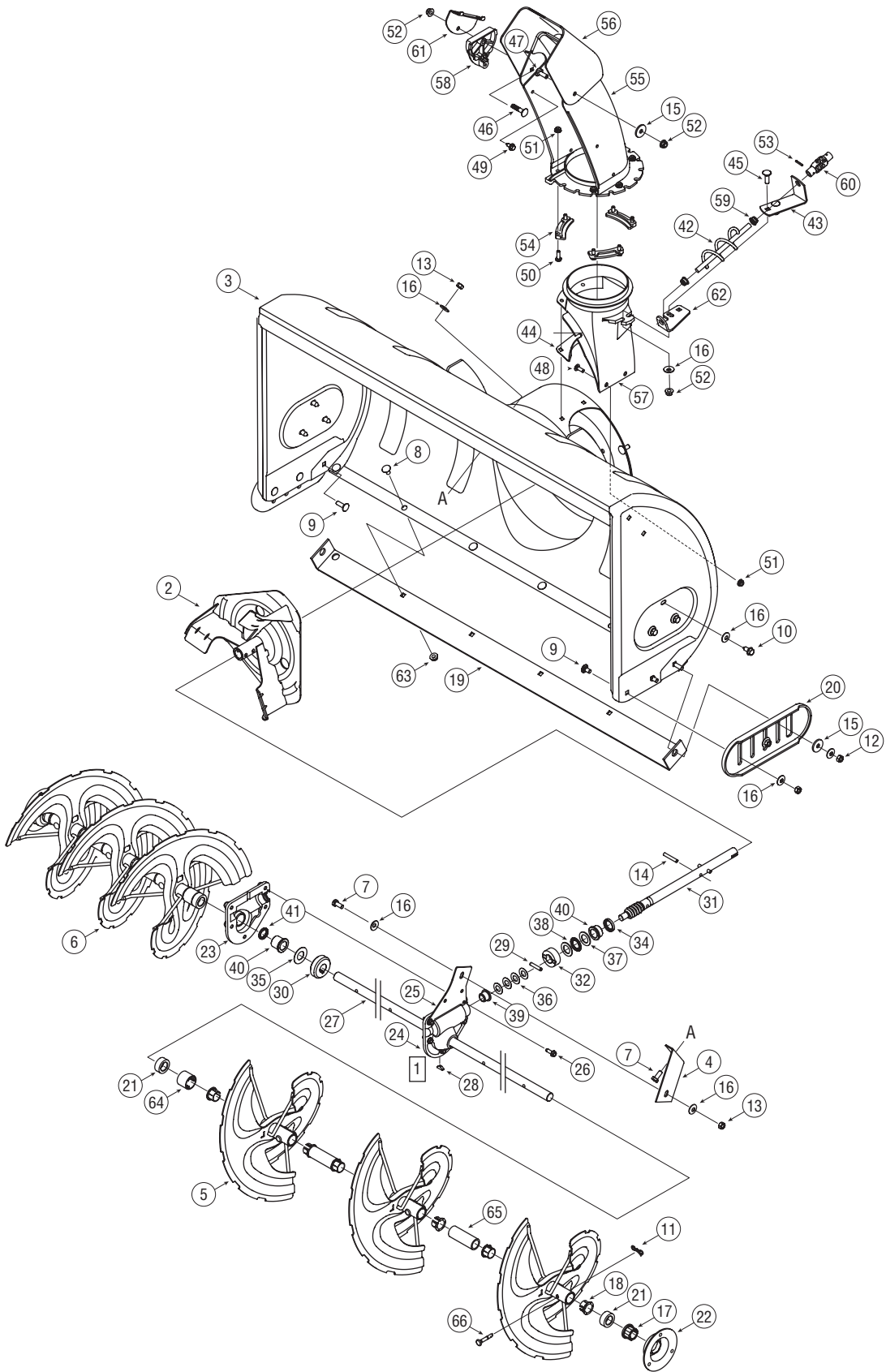
### **⚠ WARNING**

**READ AND FOLLOW ALL SAFETY RULES AND INSTRUCTIONS IN THIS MANUAL  
BEFORE ATTEMPTING TO OPERATE THIS MACHINE.  
FAILURE TO COMPLY WITH THESE INSTRUCTIONS MAY RESULT IN PERSONAL INJURY.**

---

MTD LLC, P.O. BOX 361131 CLEVELAND, OHIO 44136-0019

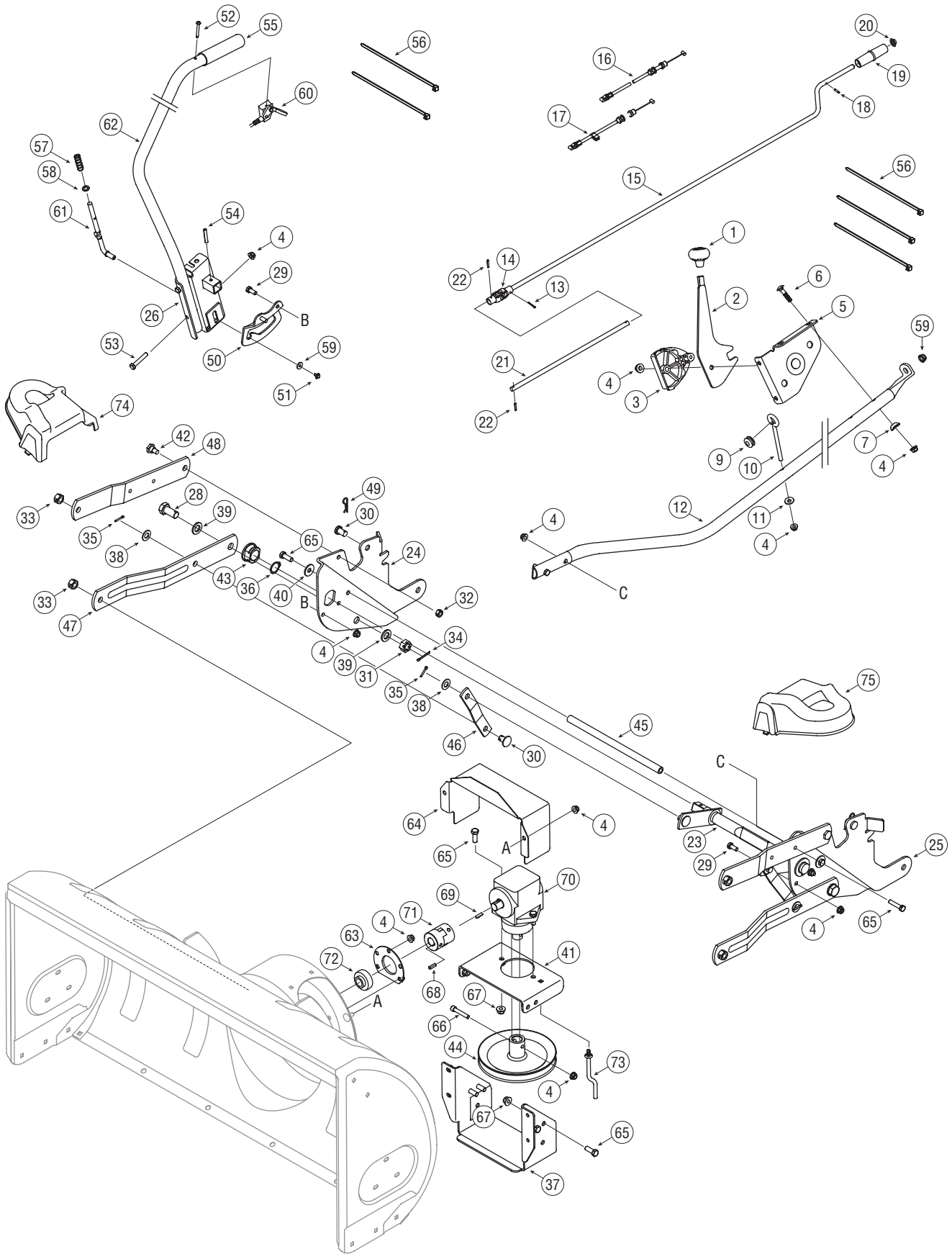
---



## Auger, Housing & Discharge Chute

REF NO.	PART NUMBER	DESCRIPTION
1	918-04315	Auger Gear Box (Incl. Ref. 23-41)
2	684-0158-0637	Impeller Assembly, 12"
3	684-0148-0637	Housing Assembly
4	703-2734-0637	Housing Brace Bracket
5	684-04163-0637	LH Spiral Auger
6	684-04164-0637	RH Spiral Auger
7	710-0157	Hex Cap Screw, 5/16-24 x .75
8	710-0260A	Carriage Bolt, 5/16-18 x .62
9	710-0276	Splined Carriage Screw
10	710-0726	Self Tapping Screw
11	714-04040	Bow-Tie Cotter Pin
12	912-3010	Hex Nut, 5/16-18
13	912-3057	Hex Nut, 5/16-24
14	915-0114	Spirol Pin, 1/4 x 1-1/2
15	936-0231	Flat Washer, .344 x 1.125 x .12
16	736-0242	Bell Washer, .340 x .872
17	941-0245	Hex Flange Bearing, .75 ID
18	741-0493A	Flange Bushing, .80 x .91
19	784-0396A-0637	Skid Plate Bracket, 42"
20	784-5038B-0637	Slide Shoe
21	711-0469	Spacer, .75 x .125 x .5
22	784-5618A-0637	Hex Bearing Housing, 1.0
23	918-0123A	RH Reducer Housing
24	918-0418A	LH Reducer Housing
25	703-2733A-0637	Housing Brace Plate
26	710-0642	Self Tapping Screw, 1/4-20 x .75
27	711-04468	Spiral Axle, 41.5"
28	914-0161	Hi-Pro Key, 3/16 x 5/8
29	915-0143	Spring Spiral Pin, .25 x 1.25
30	917-0528A	Worm Gear, 20-tooth
31	717-3320	Worm Shaft
32	718-0513	Thrust Collar
33	721-0325	Grease Plug

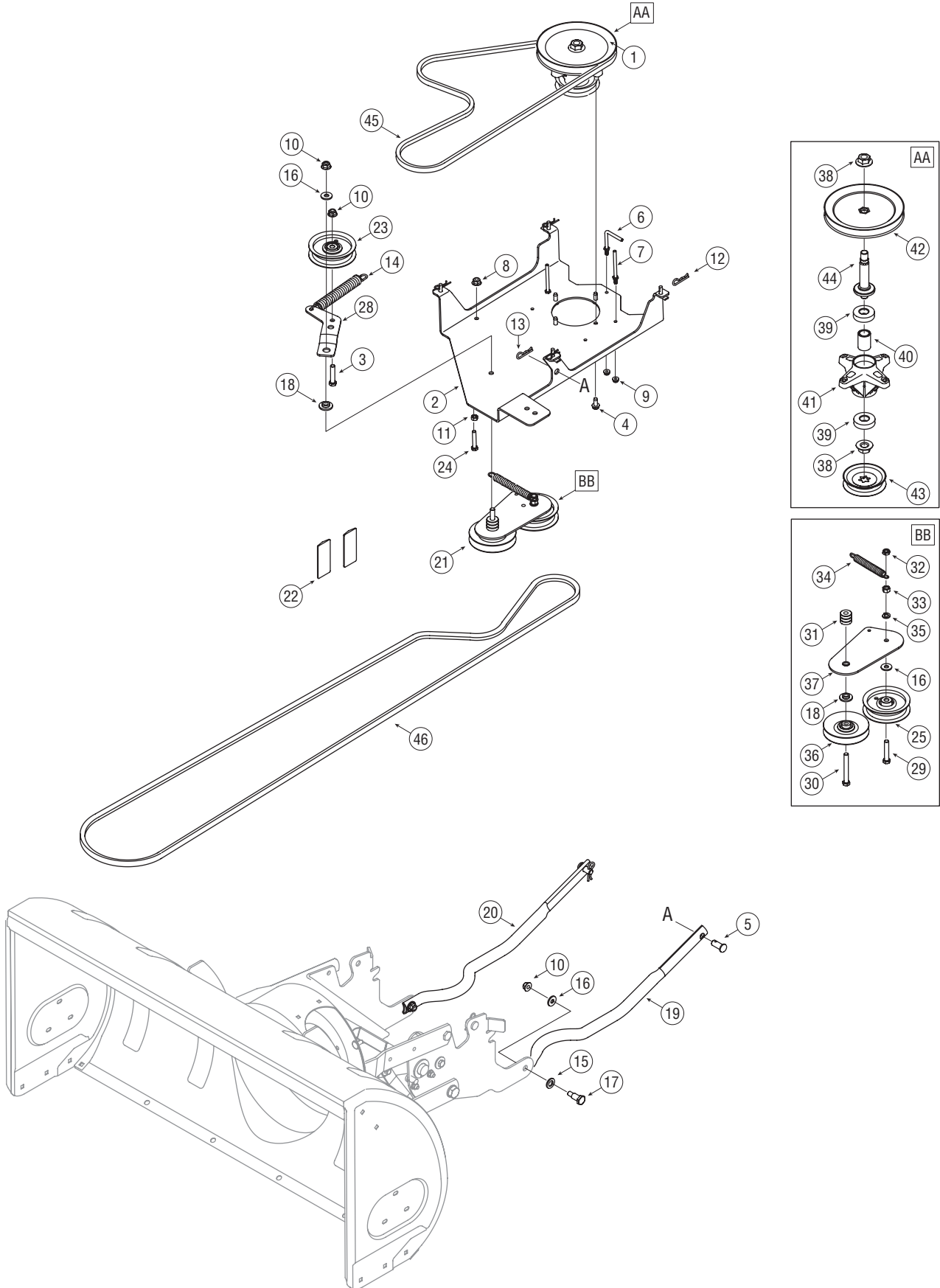
REF NO.	PART NUMBER	DESCRIPTION
34	721-0327	Grease Seal
35	936-0351	Flat Washer, .76 x 1.5 x .030
36	936-0369	Flat Washer, .508 x 1.0 x .020
37	736-0617	Thrust Washer, .75 x 1.25 x .0615
38	IH-324105-R92	Thrust Bearing, .75 x 1.25 x .078
39	948-0108	Flange Bearing, .503 x .75
40	741-0700	Flange Bearing, .75 x 1.0 x .59
41	921-0179	Grease Seal
42	684-0061	Chute Crank Assembly
43	703-2735A-0637	Chute Crank Bracket
44	705-5226-0637	Chute Reinforcer
45	710-0276	Spline Carriage Screw
46	710-0262	Carriage Bolt, 5/16-18 x 1.5
47	710-04071	Carriage Screw, 5/16-18 x 1.0
48	710-0703	Screw, 1/4-20 x .75
49	710-0896	Hex Index Washer Screw
50	710-3015	Hex Cap Screw, 1/4-20 x .75
51	712-04064	Nylon Hex Lock Nut, 1/4-20
52	712-04063	Nylon Hex Lock Nut, 5/16-18
53	715-0129	Spirol Pin, .125 x .82
54	731-0851A	Chute Flange Keeper
55	731-1300E	Lower Chute
56	731-04427A	Upper Chute
57	731-1379D	Adapter Chute
58	731-1313C	Chute Tilt Cable Guide
59	941-0475	Plastic Bushing
60	984-5149	Joint Block Assembly
61	784-5594-0637	Cable Bracket
62	784-5647-0637	Chute Crank Bracket
63	712-3004A	Flange Lock Nut, 5/16-18
64	731-04870	Spacer 1.25 x .75 x 1.00
65	731-1086A	Sleeve .758 x 1.00 x 2.70
66	738-04124A	Shear Pin, .25 x 1.50



## Linkage & Controls

REF NO.	PART No.	DESCRIPTION
1	720-04039	Knob
2	784-5604A-0637	Chute Tilt Handle
3	731-1313C	Chute Tilt Cable Guide
4	712-04063	Nylon Hex Lock Nut, 5/16-18
5	603-0302-0637	Chute Tilt Bracket Assembly
6	710-0262	Carriage Bolt, 5/16-18 x 1.5
7	936-0451	Saddle Washer, .32 x .93
8	941-0475	Plastic Bushing
9	735-0234	Rubber Grommet , .44 x .94 x .5
10	747-0697	Eye Bolt
11	736-0242	Bell Washer, .340 x .872
12	750-04467-0637	Support Chute Tube
13	914-0507	Cotter Pin, 3/32 x .75
14	984-5149	Joint Block Assembly
15	747-1201	Chute Crank Rod, .375 x 33
16	746-1108	Chute Cable, 62"
17	746-1109	Chute Cable w/ Clip, 62"
18	915-0138	Rolled Pin, 1/8 x .63
19	720-0201A	Crank Knob
20	926-0100	Push Cap, 3/8 ID
21	747-04400	Rod, .375 x 11.375
22	715-0129	Spirol Pin, .125 x .82
23	611-0132A-0637	Rod Assembly
24	783-05434-0637	RH Support Plate Assembly
25	783-05435-0637	LH Support Plate Assembly
26	683-04150-0637	Lift Bracket Assembly
27	710-0805	Hex Cap Screw, 5/16-18 x 1.50
28	710-0964A	Hex Cap Screw, 5/8-18 x 1.31
29	710-3008	Hex Cap Screw, 5/16-18 x .75
30	911-0332	Clevis Pin, .5 x .78
31	712-0386A	Slotted Hex Nut, 5/8-18
32	912-3000	Hex Lock Nut, 3/8-16
33	712-3022	Hex Lock Nut, 1/2-13
34	914-0470	Cotter Pin, 1/8 x 1.25
35	914-0474	Cotter Pin, .125 x .75
36	916-0102	Snap Ring
37	784-0402-0637	Skid Plate
38	936-0272	Flat Washer, .51 x 1.0 x .060

REF NO.	PART No.	DESCRIPTION
39	736-0366	Flat Washer, .64 x 1.12 x .125
40	936-0452	Bell Washer, .396 x 1.14 x .095
41	783-1014A-0637	Drive Mounting Bracket
42	738-0234	Shoulder Screw, .5 x .29, 3/8-16
43	941-0170	Flange Bearing w/ Flats
44	756-1181A	Drive Pulley, 7"
45	747-1192	Rod, 1/2 x 11.55
46	783-0876	Link, 5.875
47	783-0877-0637	Link, 15.4
48	783-0878-0637	Link, 13.35
49	914-0145	Click Pin
50	790-00110-0637	Snow Thrower Lift Bracket
51	710-1268	Hex Index Washer Screw #10-16
52	710-3143	Pan Phillips Screw, #10-24 x .75
53	710-3180	Hex Cap Screw, 5/16-18 x 1.75
54	915-0114	Heavy Duty Spirol Pin, 1/4 x 1.5
55	720-0274	Handle Grip
56	725-0157	Cable Tie
57	932-0306A	Compression Spring
58	936-0140	Flat Washer, .385 x .62 x .063
59	936-0400	Flat Washer, .194 x .62 x .063
60	746-1103A	Lift Cable, 42" w/ Trigger Control
61	747-1203	Lift Index Rod
62	750-1221-0637	Lift Handle Tube
63	05931A	Bearing Housing, 1.85 ID
64	703-2736-0637	Belt Cover
65	710-0514	Hex Cap Screw, 3/8-16 x 1.0
66	710-3251	Socket Head Cap Screw
67	712-04065	Flange Lock Nut, 3/8-16
68	914-0122	Square Key, 3/16 x .75
69	914-0126	Hi-pro Key, 3/16 x .75
70	917-1714A	Right Angle Drive
71	918-0691	Coupling
72	941-0309	Flange Ball Bearing, .75 x 1.85
73	747-1257	Belt Keeper Rod
74	731-05980	Steering Linkage Cover RH
75	731-05981	Steering Linkage Cover LH



## Undercarriage Assembly

REF NO.	PART No.	DESCRIPTION
1	618-0411	Spindle Assembly <i>(Incl. 38-44)</i>
2	683-04210-0637	Pulley Mounting Bracket
3	710-0347	Hex Cap Screw, 3/8-16 x 1.75
4	710-1260A	Self Tapping Screw
5	911-0310	Clevis Pin, .5 x 1.18
6	711-04741	Belt Keeper Pin
7	911-1000	Belt Keeper Pin
8	712-04063	Nylon Hex Lock Nut, 5/16-18
9	712-04064	Nylon Hex Lock Nut, 1/4-20
10	712-04065	Hex Flange Lock Nut, 3/8-16
11	912-3010	Hex Nut, 5/16-18
12	914-0145	Click Pin, .092 x 1.64
13	932-0594A	Internal Cotter Pin, .125 x 1.75
14	936-0192	Extension Spring .91 x 7.33
15	736-0192	Flat Washer, .531 x .93 x .09
16	736-3072	Flat Washer, .38 x .93 x .11
17	938-0145	Shoulder Screw, 3/8-16
18	938-0347	Shoulder Spacer, .625 x .169
19	749-1103-0637	LH Support Tube
20	749-1104-0637	RH Support Tube
21	684-0149	Double Idler Bracket Assembly
22	930-3000	Reflector
23	756-0627D	Idler Pulley, 3.50 OD

REF NO.	PART No.	DESCRIPTION
24	710-3180	Hex Cap Screw, 5/16-18 x 1.75
25	756-0627D	Idler Pulley 3.50 dia.
26	650-0040	Idler Assembly Spacer
27	912-0431	Flange Lock Nut 3/8-16
28	783-1291-0637	Idler Bracket
29	710-0151	Hex Cap Screw, 3/8-24 x 2
30	710-0521	Hex Cap Screw, 3/8-16 x 3
31	911-0242	Spacer
32	912-0116	Nylon Jam Lock Nut, 3/8-24
33	712-0241	Hex Nut, 3/8-24
34	732-0978	Extension Spring, .620 x 5.62
35	936-0169	Lock Washer, 3/8
36	756-0487	Idler pulley, 4" Diameter
37	784-5727-0637	Idler Pivot Arm
38	712-0417A	Flange Nut 5/8-18
39	941-0919	Ball Bearing
40	750-1096	Spacer
41	618-0411	Deck Spindle Housing
42	756-0999	Deck Pulley 7"
43	756-1173	Pulley 3.75"
44	738-0976	Spindle Shaft
45	954-0498	V-Belt
46	954-3053	V-Belt