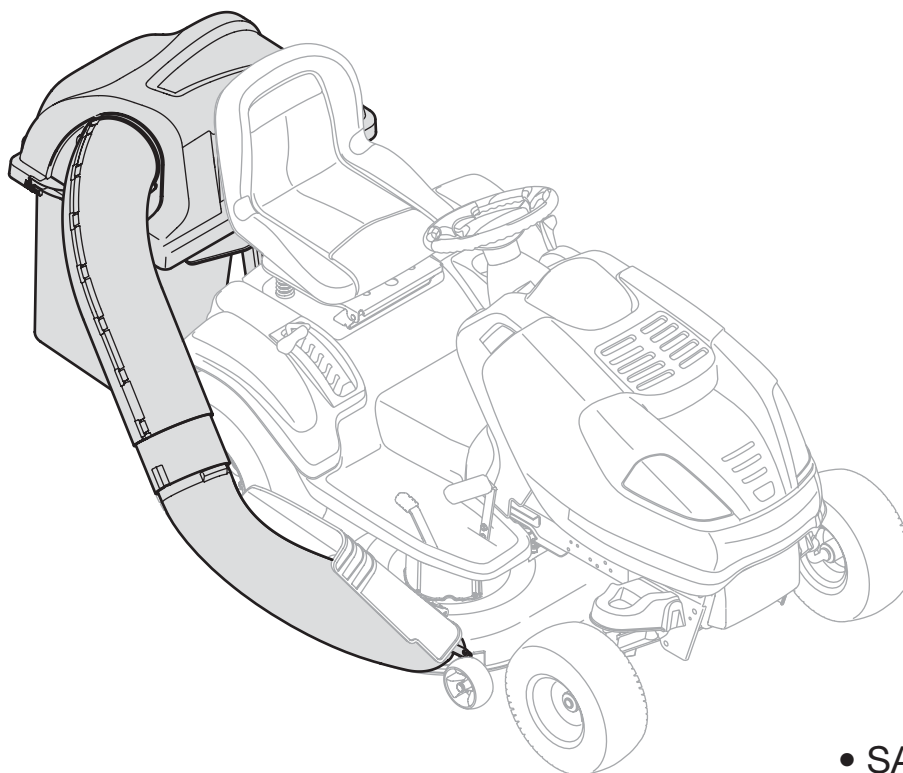


Operator's Manual

CRAFTSMAN®

42 in. Two Bin Rear Bagger for Revolution Zero-Turn Tractor

Model No. 24919



For answers to your questions about this product,
call 1-800-659-5917.

CAUTION: Before using
this product, read this
manual and follow all
safety rules and operating
instructions.

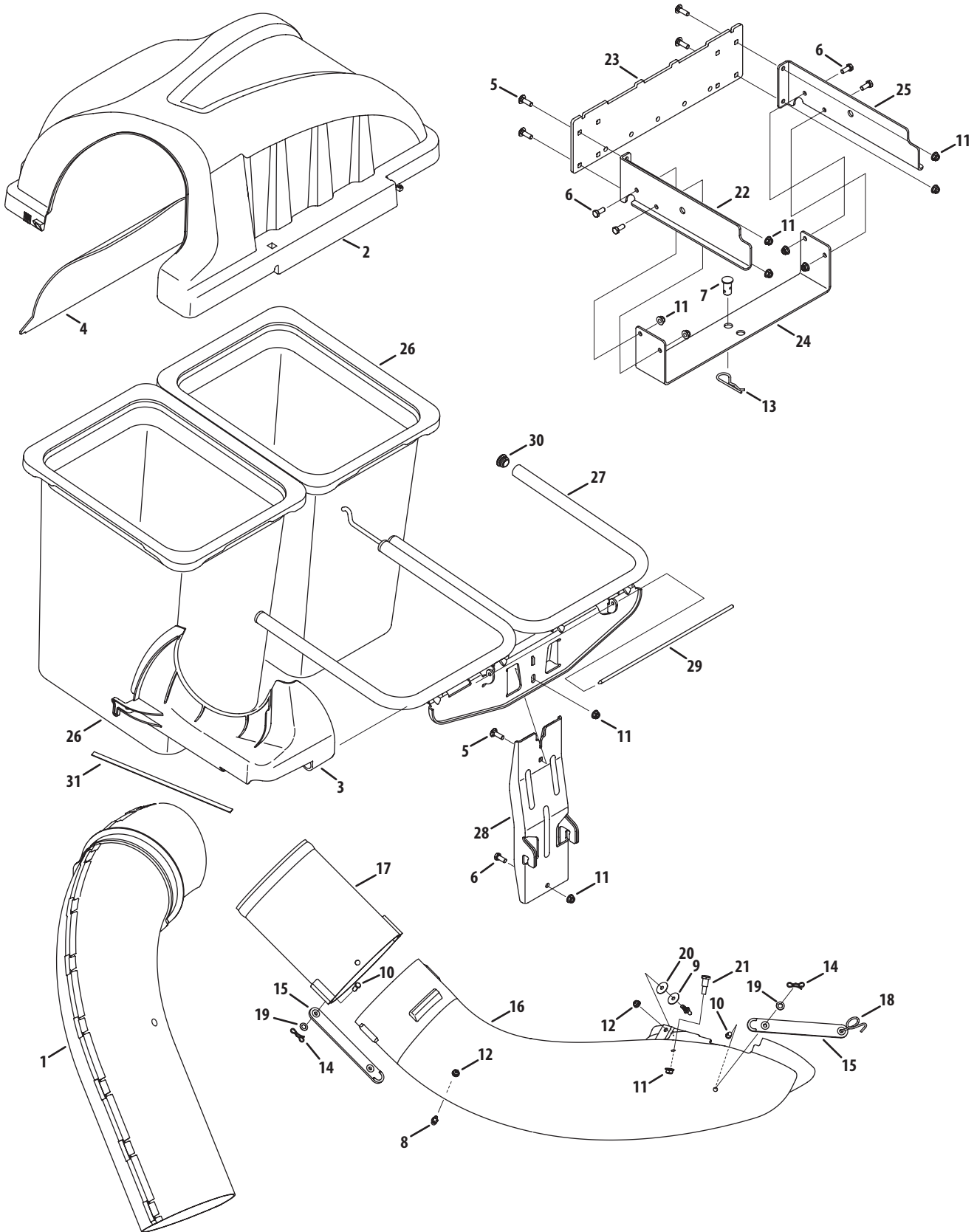
- SAFETY
- ASSEMBLY
- OPERATION
- PARTS LIST
- ESPAÑOL, p. 18

Sears, Roebuck and Co., Hoffman Estates, IL 60179, U.S.A.
Visit our web site: www.craftsman.com

FORM NO. 769-04672B
March 24, 2011

PARTS LIST

24919 42 in. Two Bin Rear Bagger Parts List



PARTS LIST

24919 42 in. Two Bin Rear Bagger Parts List

Ref.	Part Number	Description
1.	931-04291	Upper Chute Assembly
2.	931-04292	Double Bagger Cover Assembly
3.	731-06497	Upper Chute Support
4.	731-06504	Bagger Cover Screen
5.	710-0276	Carriage Screw, 5/16-18 x 1.00"
6.	710-3008	Hex Head Screw, 5/16-18 x .75"
7.	711-0309A	Clevis Pin, .62" Dia.
8.	911-04069	Grass-catcher Pin, 1/4-20
9.	711-05049	Attachment Pin, 1/4 x 0.66 Lg.
10.	711-05063	Clevis Pin, 5/16 x .75 Lg.
11.	712-04063	Flange Lock Nut, 5/16-18
12.	712-3027	Flange Lock Nut, 1/4-20
13.	714-0117	Internal Cotter Pin, .148 x 3.00
14.	714-04040	Bow-Tie Cotter Pin, 72
15.	723-04008A	Chute Strap, 6.00 Lg.
16.	731-06099B	Bagger Discharge Chute, Elbow
17.	731-06610	Bagger Chute Adapter, 7 In.
18.	732-04510A	Torsion Spring Hook
19.	736-0204	Flat Washer, .344 x .62 x .033
20.	736-0176	Flat Washer, .265 x .938 x .120
21.	738-0754	Shoulder Screw, .437 x .54
22.	783-06156-0637	Mounting Bracket, RH
23.	783-06168-0637	Universal Mounting Bracket
24.	783-06230-0637	Universal Bracket Support, I-Series
25.	783-06231-0637	Mounting Bracket, LH
26.	964-04096A	Grass Bin (2 total)
27.	683-04461	Double Bag Support Assembly
28.	683-04519	Vertical Support Bracket
29.	711-04988	Cover Hinge Pin
30.	735-0246A	End Plug
31.	721-04388	Self-Adhesive Foam Strip