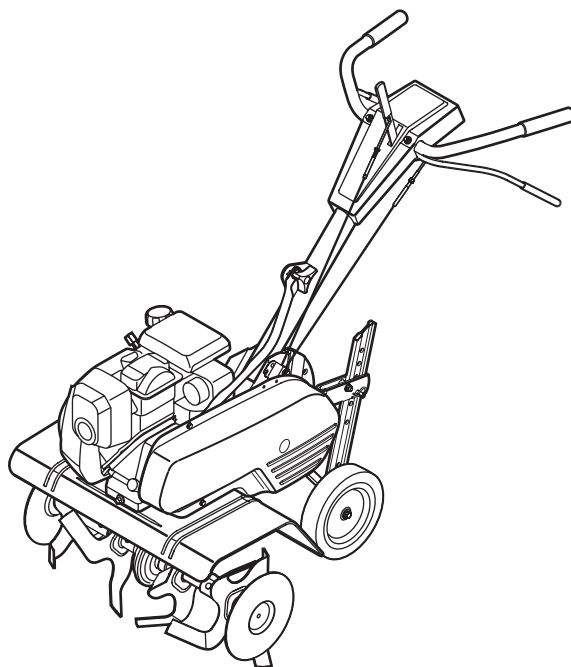
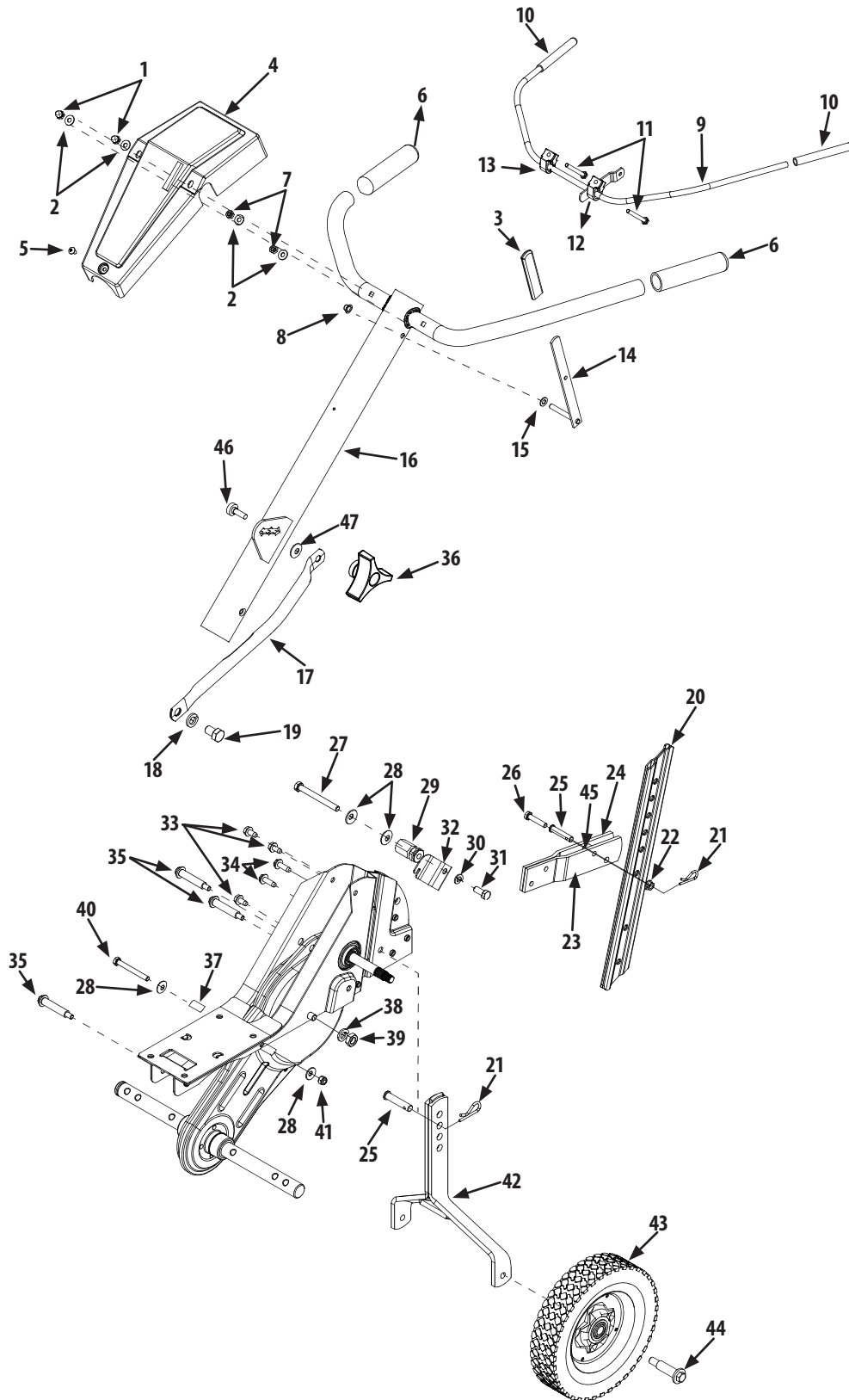

ILLUSTRATED PARTS MANUAL



Front Tine Tiller — Model Series 390

MTD LLC, P.O. BOX 361131 CLEVELAND, OHIO 44136-0019

390 Series Handle, Depth Stake & Wheels

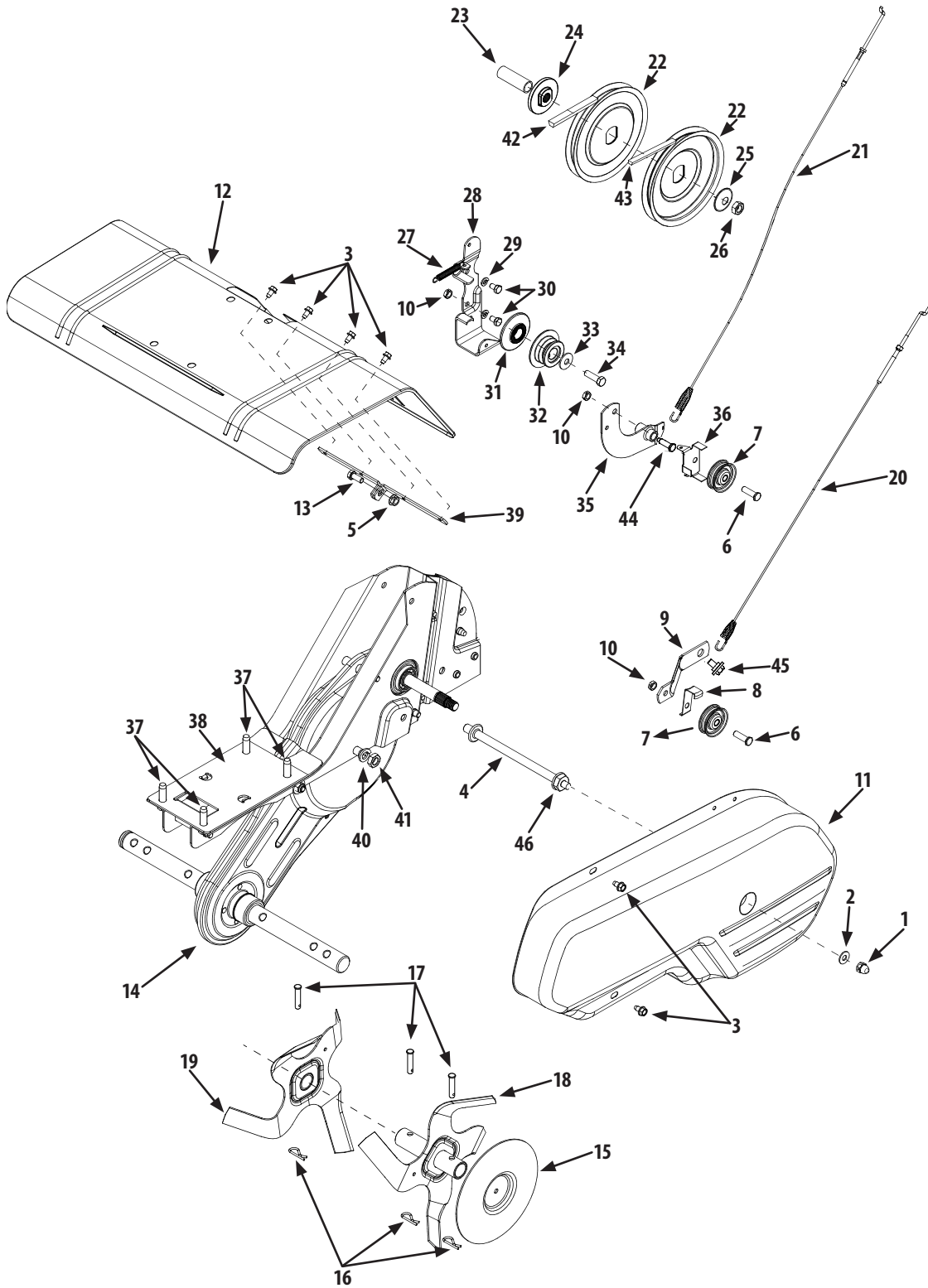


390 Series Handle, Depth Stake & Wheels

Ref.	Part Number	Description
1.	912-0442	Acorn Lock Nut, ¼-20
2.	936-3020	Flat Washer, .271" x .630"
3.	720-0270A	Reverse Handle Grip
4.	731-1600	Handle Cover w/o throttle
5.	710-0779A	Truss Machine Screw, #10 x ½"
6.	720-0274	Handle Grip
7.	712-3006	Hex Nut, ¼-20
8.	726-0135	Cap Speed Nut
9.	686-0083-0637	Clutch Handle Assembly
10.	720-0269	Clutch Grip
11.	710-0641	Hex Bolt, ¼-20 x 2.25"
12.	931-1645A	Clutch Handle Holder
13.	936-0140	Flat Washer, .385" x .62"
14.	686-0014C-0637	Reverse Handle Assembly
15.	936-0264	Flat Washer, .344" x .62"
16.	649-04040-0691	Handle Assembly Complete
17.	749-1401-0691	Handle Brace
18.	936-0921	Lock Washer, ½
19.	710-3194	Hex Bolt, ½-20
20.	786-0005-0637	Depth Bar
21.	914-0149B	Cotter Pin
22.	712-04063	Hex Flange L-Nut, ⅝-18
23.	786-0003-0637	Tail Piece Bracket, Left
24.	786-0004-0637	Tail Piece Bracket, Right

Ref.	Part Number	Description
25.	911-0415	Clevis Pin
26.	710-0805	Hex Bolt, ⅝-18 x 1.5"
27.	710-0189	Hex Bolt, ⅝-18 x 3"
28.	736-0242	Bell Washer, .340" x .872"
29.	711-1036A	Hex Nut
30.	936-0119	L-Washer, ⅝"
31.	710-3008	Hex Bolt, ⅝-18
32.	786-0129-0637	Cable Guide Bracket
33.	710-0604A	Hex Washer Screw, ⅝-18 x .62"
34.	710-0602	Hex Washer TT-Tap Screw
35.	738-0934	Shoulder Bolt, ⅝-18
36.	720-0195	Hand Knob
37.	750-0470	Spacer
38.	936-0171	Lock Washer, ⅞
39.	912-0240	Jam Nut, ⅞-20
40.	710-0176	Hex Bolt, ⅝-18 x 2.75"
41.	912-0429	Nylon Hex Nut, ⅝-18
42.	686-0081A-0637	Wheel Hanger Bracket Assembly
43.	734-1268	Wheel, 8 x 1.75
44.	738-0929	Shoulder Screw, .496 x 1.445
45.	750-0890	Spacer
46.	710-1236	Carriage Bolt, ⅝-18 x 1
47.	736-0242	Bell Washer, .34"

390 Series Tine Assembly & Drive System



390 Series Tine Assembly & Drive System

Ref.	Part Number	Description
1.	712-0392	Hex L-Stop Nut, ¼-28
2.	936-3020	Flat Washer, 266" x .625"
3.	710-0599	Hex Washer TT-Tap Screw, ¼-20 x .5"
4.	711-0920	Belt Cover Bolt
5.	712-04063	Hex Flange Top L-Nut, 5/16-18
6.	710-0723	Hex Head Screw, 3/8-16 x 1.25"
7.	756-0313	Flat Idler Pulley, 2.12"
8.	786-0149	Idler Belt Keeper
9.	786-0144-0637	Idler Bracket
10.	912-0266	Hex Center Jam Nut, 3/8-16
11.	786-0057-0662	Belt Cover
12.	786-0043A-0691	Tine Shield
13.	710-3008	Hex Head Cap Screw, 5/16-18 x .75"
14.	986-0091	Chain Case Assembly Complete
15.	686-0106-0637	Outer Disc Plate Assembly
16.	914-0149B	Internal Cotter Pin
17.	911-0415	Clevis Pin
18.	642-0023-0637	Outer Tine Assembly, Left
—	642-0024-0637	Outer Tine Assembly, Right
19.	642-0003-0637	Inner Tine Assembly, Left
—	642-0002-0637	Inner Tine Assembly, Right
20.	946-0918	Forward Clutch Cable
21.	746-0953	Reverse Clutch Cable
22.	756-0585	Flat Pulley, 6"

Ref.	Part Number	Description
23.	950-0892	Spacer, .64" x 2.4"
24.	948-0350	Pulley Mounting Adapter
25.	736-0112	Bell Washer, 525" x 1.5"
26.	712-3029	Hex Jam Nut, ½-20
27.	732-0697	Return Spring
28.	786-0040B-0637	Reverse Bracket
29.	936-0119	Lock Washer, 5/16
30.	710-0237	Hex Bolt, 5/16-24 x .625"
31.	756-0971	Engine Inner Pulley
32.	756-0600	Reverse Engine Pulley
33.	936-0452	Bell Washer, .396" x ¼"
34.	710-1039	Hex Bolt, 3/8-24 x 1.00"
35.	686-0013	Reverse Arm Assembly
36.	786-0041-0637	Reverse Belt Keeper
37.	710-0502A	Hex L-Washer TT-Tap, 3/8-16 x 1.25"
38.	786-0145A-0662	Engine Plate
39.	786-0053-0637	Tine Shield Bracket
40.	936-0171	L-Washer, 7/16"
41.	912-0240	Hex Nut, 7/16-20
42.	954-0428	Forward Drive Belt, ½ x 41.9"
43.	954-0429	Reverse Drive Belt, 3/8 x 45.68"
44.	938-0102	Shoulder Screw, .498 x 1.445
45.	738-0930	Shoulder Screw, .560 x .165
46.	936-3004A	Flangelock Nut, 5/16 - 18