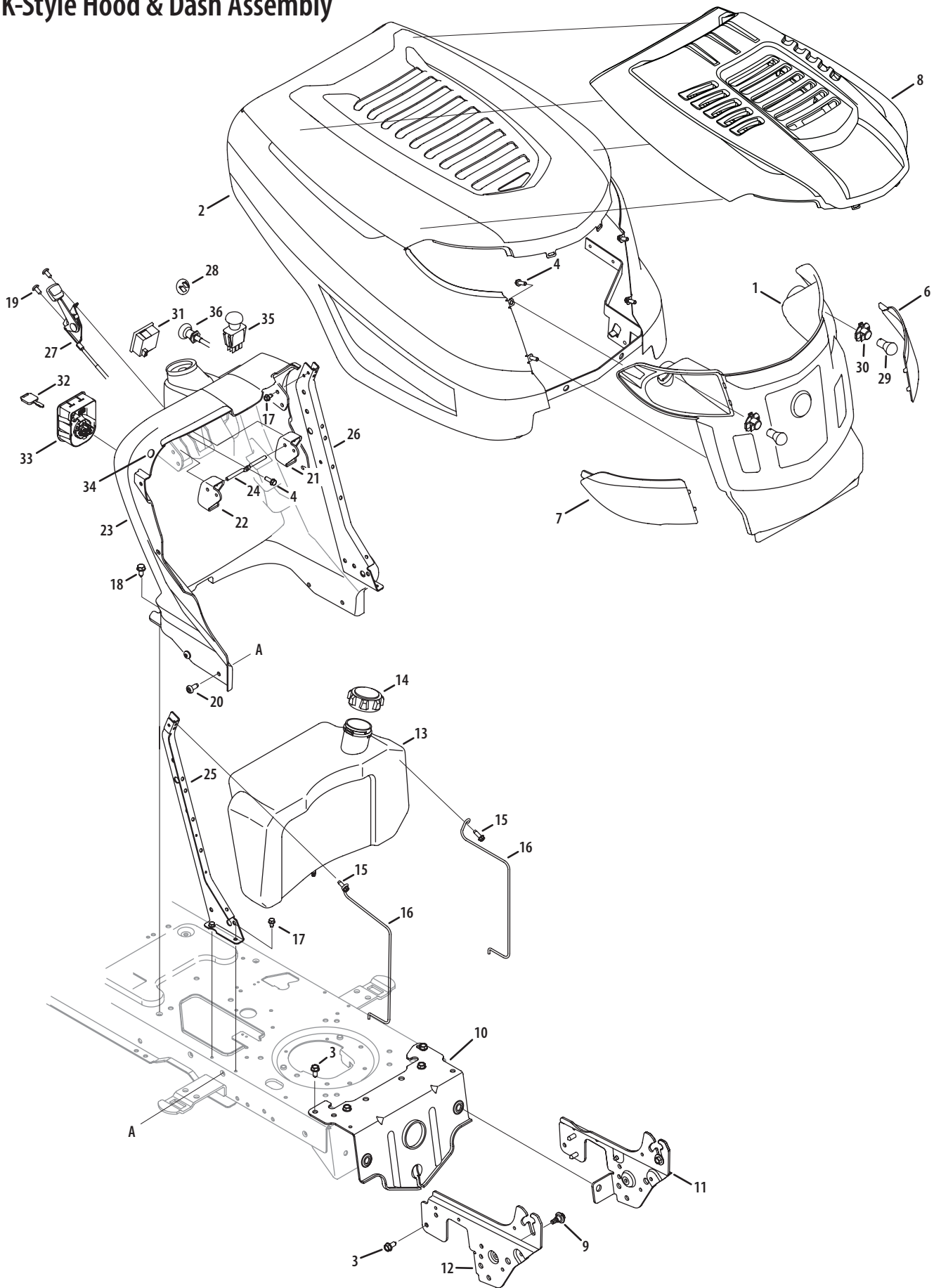


K-Style Hood & Dash Assembly



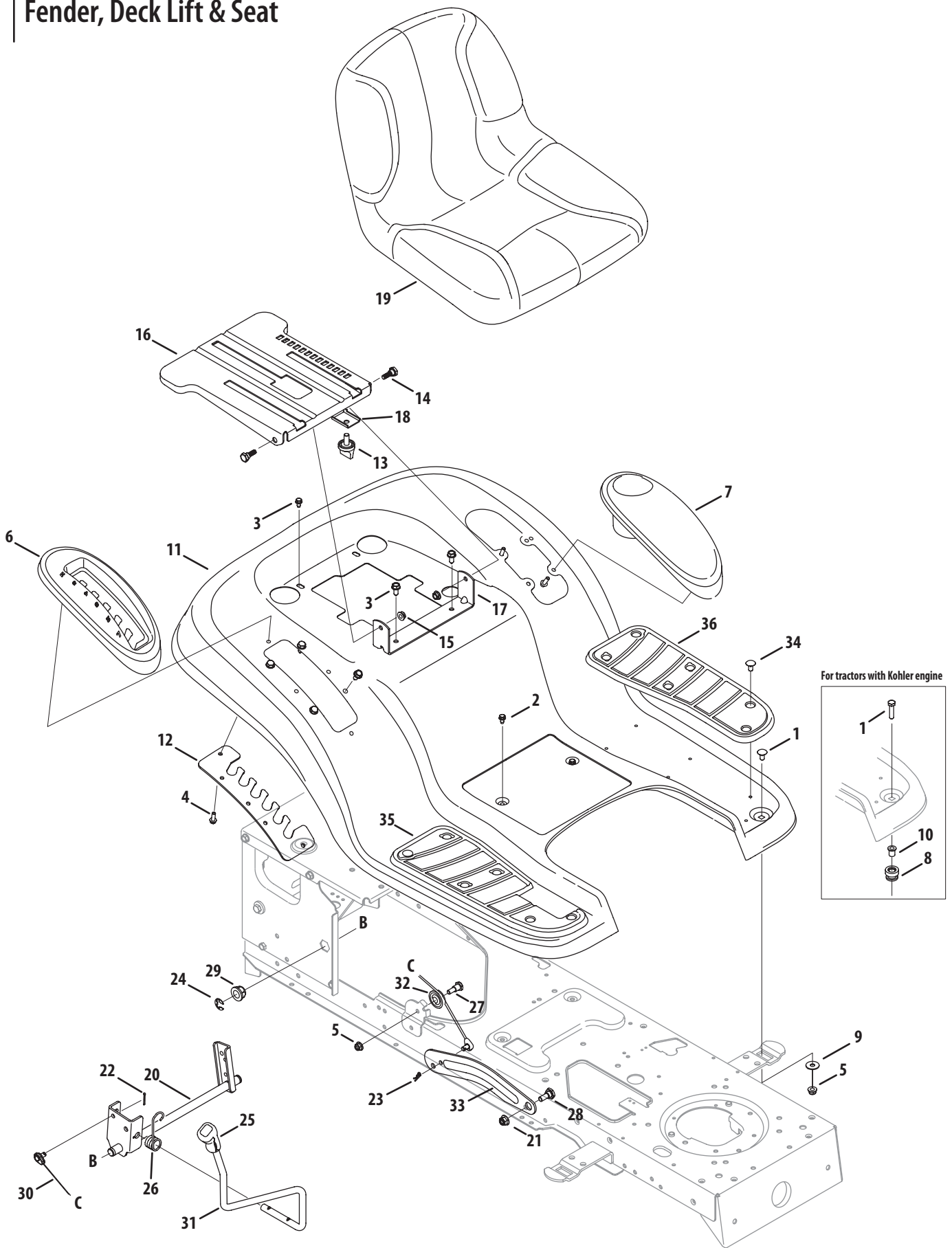
K-Style Hood & Dash Assembly

Ref.	Part Number	Description	Ref.	Part Number	Description
1	631-04272	Grill Assembly	21	731-04728	Parking Brake Button
2	683-04441-0638	Hood, K-Style	22	731-04729	Cruise Control Button
3	710-04484	Screw, 5/16-18, 0.625	23	731-06166	Dash Panel w/ Manual PTO
4	710-0895	Self-tapping Screw, 1/4-15 x.75		731-06168	Dash Panel w/ Electric PTO
5	725-0157*	Cable Tie, 3/16 x .05 x 7.4	24	747-1196	Brake/Cruise Pivot Rod
6	731-06095	Headlight Lens (LH)	25	783-04285F-0637	RH Dash Support Plate
7	731-06096	Headlight Lens (RH)	26	783-04323F-0637	LH Dash Support Plate
8	731-06194A	TB Hood Scoop	27	746-04364	Throttle/Choke Cntrl. Cable (Single)
9	738-04091A	Shoulder Screw, .43 x.29		746-04417	Throttle Cable (Twin Cyl.)
10	783-05326-0637	Pivot Bar Bracket	28	731-1999	Choke Plug
11	783-05327B-0637	Pivot Support Bracket, LH (42" Dk.)	29	925-0963	Headlamp, 12V
	783-05417-0637*	Pivot Support Bracket, LH (50" Dk.)	30	925-1649	Lamp Socket
12	783-05328A-0637	Pivot Support Bracket, RH (42" Dk.)	31	925-04156	Systems Ind. Monitor w/ Amtr.
	783-05418-0637*	Pivot Support Bracket, RH (50" Dk.)		925-04036C*	Service Reminder / Hour Indicator
13	751-10609	Fuel Tank, 2.5 gal.	32	925-1745A	Ignition Key w/ plastic cover
14	751-0603A	Fuel Tank Cap	33	925-04227B	Module, Ignition Switch
15	710-0642	Screw, 1/4-20, 0.750	34	735-0271A	Rubber Bumper, .62 dia. x .3
16	747-04161	Gas Tank Support Rod, RH	35	925-04174	Electric PTO Switch
	747-04946	Gas Tank Support Rod, LH	36	746-1085A	Choke Control Cable (Twin Cyl.)
17	710-0599	Screw, 1/4-20, 0.500	—	725-04864*	Wire Harness (Manual PTO)
18	710-0607	Screw, 5/16-18 x 0.500	—	725-04862*	Wire Harness (Electric PTO)
19	710-1017	Screw, 1/4-14 x.625	—	777X43039*	Headlight Lens Reflector RH
20	710-1611B	Screw, 5/16-18 x.75	—	777X43038*	Headlight Lens Reflector LH

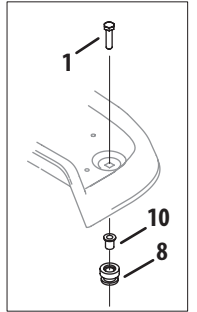
* Not Shown

NOTE: Tractor features vary by model. NOT all parts listed above and pictured on the previous page are standard equipment.

Fender, Deck Lift & Seat



For tractors with Kohler engine



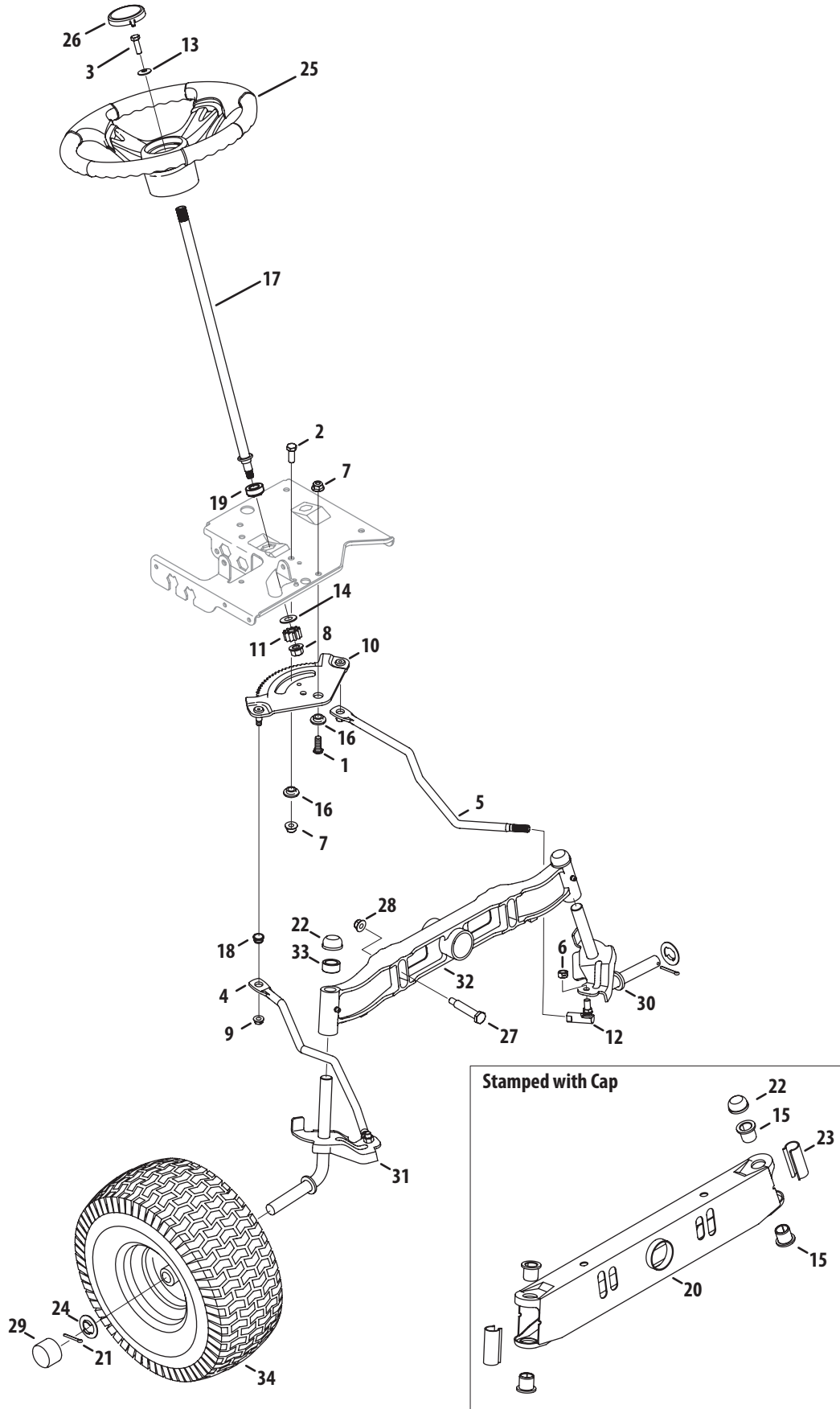
Fender, Deck Lift & Seat

Ref.	Part Number	Description	Ref.	Part Number	Description
1	710-0528	Hex Screw, 5/16-18 x 1.25 (Sngle. Cyl.)	20	683-04223-0637	Deck Lift Shaft Assembly
	710-0451	Carriage Bolt, 5/16-18 (Twin Cyl. Models)	21	712-04065	Nut, Flange Lock, 3/8-16, GrF
2	710-0599	Screw, 1/4-20, 0.500	22	914-0104	Pin, Cotter,.072 Dia. x 1.13
3	710-04484	Screw, 5/16-18, 0.750x	23	914-0111	Pin, Cotter, 3/32, 1.0
4	710-0895	Screw, 1/4-15, 0.750	24	716-0106A	Ring, E Type,.625 Dia.
5	712-04063	Nut, Flange Lock, 5/16-18, GrF	25	720-0311	Grip, Handle, 1/2
6	731-06795	Deck Lift Lever Cover	26	732-0874	Spring, Torsion
7	731-1993A	Cover with Cup Holder	27	738-0138A	Screw, 5/16-18 x.620 Gr2
8	735-0690	Grommet, .4375 x .750 (Sngle. Cyl.)	28	738-04130	Scr.,Shldr, .625 x.165,(42" Deck)
9	736-3078	Washer, Flat,.344 x 1.0 x.063		938-0380	Scr.,Shldr, .500 x.270, (50" Deck)
10	750-3310	Flanged Spacer (Sngle. Cyl. Models only)	29	941-0225	Bearing, Hex Flange
11	783-06246-0638	Hydro Fender, 4-style	30	746-0968	Cable, Lift, 16.16
12	783-0677B-0637	Deck Lift Plate	31	747-04447	Handle, Lift
13	720-04061	Knob, 3/8-16	32	756-1154	Pulley, Roller
14	938-0296	Screw, Shoulder,.437 x.268	33	783-04494B-0637	Arm, Lift - RH (42" Deck)
15	712-3004A	Flange Lock Nut, 5/16-18		783-04711B-0637*	Arm, Lift - LH (42" Deck)
16	783-06049-0637	Seat Mount Bracket		783-05546-0637*	Arm, Lift - Universal (50" Deck)
17	783-06088-0637	Seat Pivot Bracket	34	726-3046	Ratchet Clip
18	783-06266-0637	Seat Knob Adjust Bracket	35	735-0656	RH Foot Pad
19	757-04086	High Back Seat	36	735-0657	LH Foot Pad

* Not Shown

NOTE: Tractor features vary by model. NOT all parts listed above and pictured on the previous page are standard equipment.

Steering & Front Axle Assembly

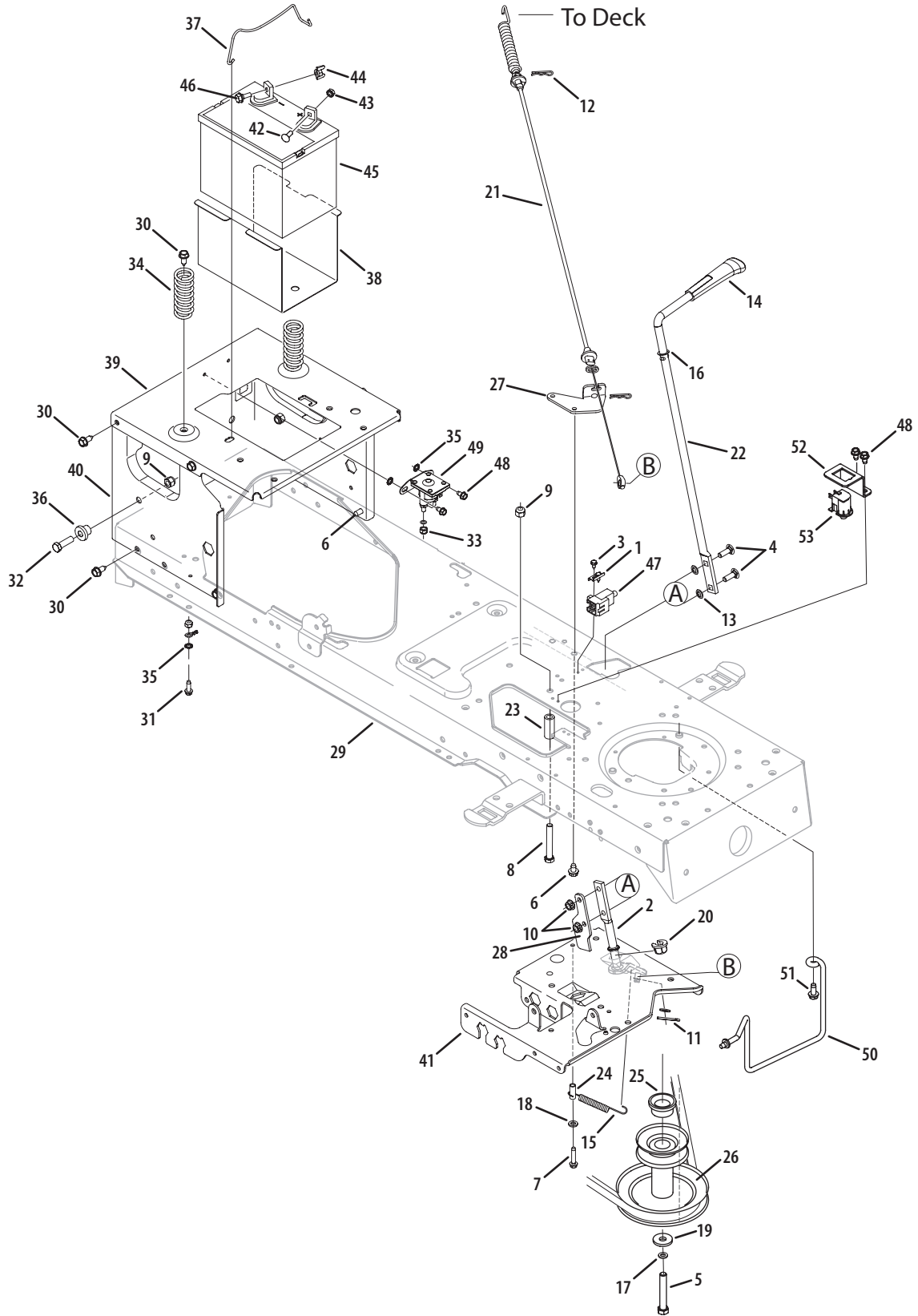


Steering & Front Axle Assembly

Ref.	Part Number	Description	Ref.	Part Number	Description
1	710-04095	Hex Screw, 3/8-16, 1.00, Gr5	21	714-0162	Cotter Pin, 5/32 x 1.25 (Cast Axle)
2	710-0514	Hex Screw, 3/8-16, 1.00, Gr5	22	726-0341	Push Cap, 3/4
3	710-0643	Hex Screw, 5/16-18, 1.00, Gr5	23	931-1291A	Pivot Bar End Cap w/ fitting
4	711-1408	Link, Drag, RH	24	736-04228A	Flat Washer, .781 x 1.59
5	711-1409A	Link, Drag, LH	25	631-04028	Steering Wheel
6	912-0214	Nut, Hex Lock, 3/8-24		631-04008A	Steering Wheel
7	712-04065	Nut, Flange Lock, 3/8-16, Grf	26	731-04040	Steering Wheel Cap, Sprig Logo
8	712-0459	Nut, Flange Lock, 7/16-20		731-04681	Steering Wheel Cap, TB Logo
9	712-3004A	Nut, Flange Lock, 5/16-18, Gr5	27	738-04128	Shoulder Bolt, .5 x 2.38, 3/8-16
10	917-1550E	Gear, Steering, 11/90 Ratio	28	712-04065	Flange Lock Nut, 3/8-16
11	717-1554	Gear, Pinion, Steering	29	731-05674	Hub Cap, Standard
12	923-0448A	Ball Joint, 7/16-20, Lock	30	938-04006A-0637	LH Axle Assembly, .750 (42" Deck)
13	936-3004	Washer, Flat, .406 x .875 x .105		638-04003AP	LH Axle Assembly, .750 (50" Deck)
14	736-3084	Washer, Flat, .51 x 1.12 x .06	31	938-04005A-0637	RH Axle Assembly, .750 (42" Deck)
15	741-0660A	Flange Bearing		938-04004A	RH Axle Assembly, .750 (50" Deck)
16	738-04154	Spacer, Shoulder, .38 x 1.00 x .31	32	719-04177A	Pivot Bar End, Cast
17	738-04263	Shaft, Steering, .625 OD x 24.25	33	748-04068	Spacer, Shoulder, .71 x .125 x .56
18	941-0475	Plastic Bushing .380 ID	34	634-04086-0911	Wheel Assembly Complete, 15x6
19	741-04237A	Hex Flange Bearing		734-1731-0901	Tire Only 15 x 6 x 6
20	683-0128B-0637	Pivot Bar Axle Assembly		934-04081-0662	Rim Only w/ Valve Stem

NOTE: Tractor features vary by model. NOT all parts listed above and pictured on the previous page are standard equipment.

Frame & Manual PTO

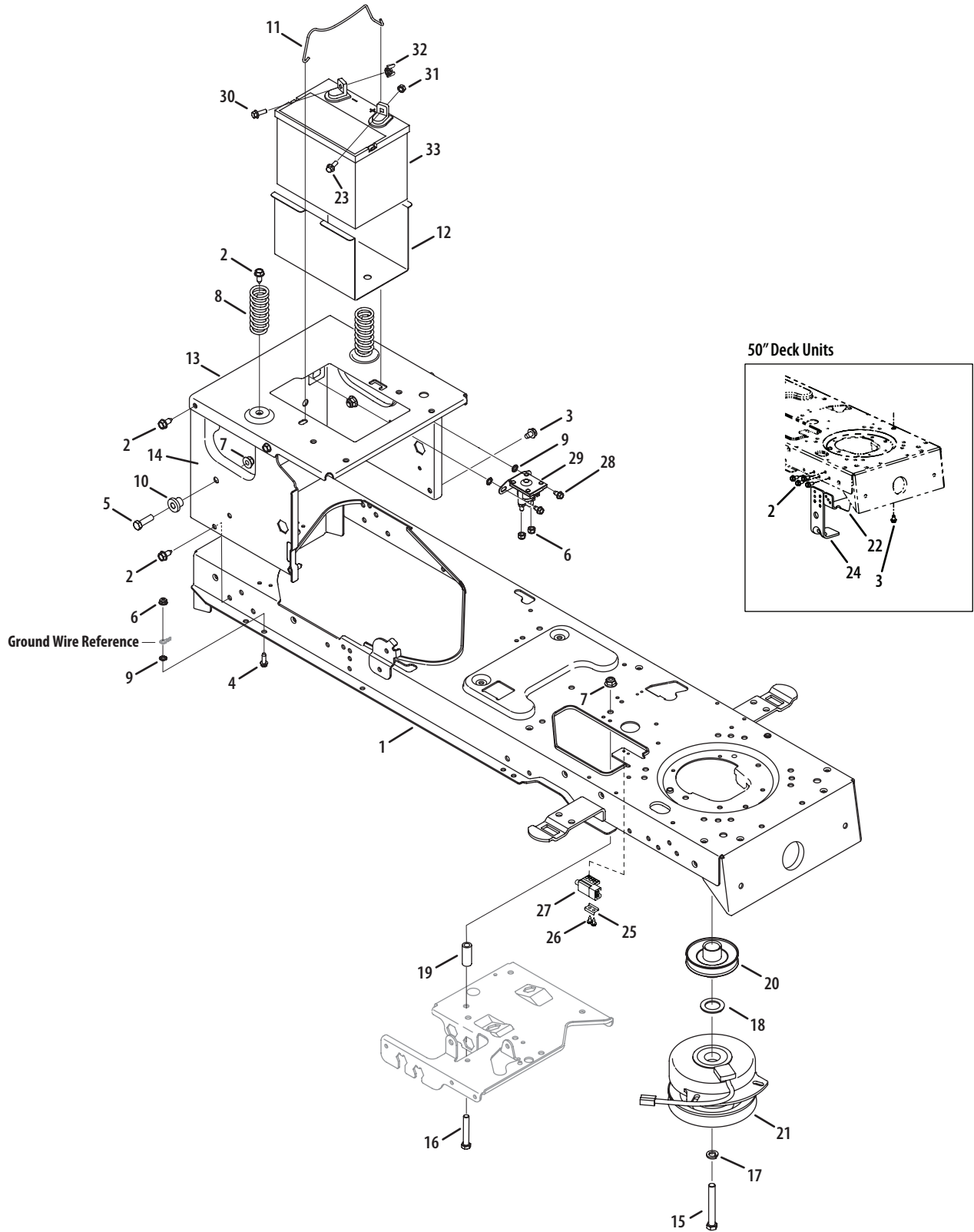


Ref.	Part Number	Description	Ref.	Part Number	Description
1	17962	Plate, Switch	28	783-0744A-0637	Stop Bracket, Engagement
2	947-04036A	Lever Assembly, Engagement	29	683-04173B-0637	Frame Assembly, Lower
3	910-0224	Screw, #10-16, 0.500	30	710-04484	Screw, 5/16-18 x 0.625
4	710-0276	Screw, Carriage, 5/16-18, 1.00	31	710-0642	Screw, 1/4-20, 0.750
5	710-04608	Screw, 7/16-20, 3.25 42" Deck	32	710-3005	Screw, 3/8-16, 1.25, Gr5
6	710-0607	Screw, 5/16-18, 0.500	33	712-04064	Nut, Flange Lock, 1/4-20, GrF
7	710-0778	Screw, 1/4-20 x 1.50	34	732-04561	Spring, Compr., 1.71 x 3.735 x .238
8	710-3011	Screw, 3/8-16 x 2.25	35	936-0222	Washer, Lock, 1/4, External
9	712-04065	Nut, Flange Lock, 3/8-16, GrF	36	738-04058	Spacer, Shoulder, .38 x 1.0 x .70
10	712-3004A	Nut, Flange Lock, 5/16-18, Gr5	37	747-04121A	Hold Rod, Battery
11	914-0115	Pin, Cotter, 1/8 x 1.00	38	783-0349-0637	Battery Tray
12	914-0145	Click Pin	39	783-06089-0637	Seat Bracket, Frame
13	726-0201	Nut, Speed, .3125 ID	40	783-04809C-0637	Frame, Upper
14	731-2111B	Knob, PTO	41	783-04612-0637	Support Bracket, Steering
15	732-04248	Extension Spring, .38 OD x 3.9 Lg	42	710-04666	Hex Head Flange Screw
16	936-0108	Washer, Flat, .510 x .750 x .033	43	712-0271	Nut, Sems, 1/4-20
17	936-0171	Washer, Lock, 7/16	44	712-3087*	Nut, Wing, 1/4-20
18	736-0173	Washer, Flat, .28 x .74 x .063	45	925-1707D	Battery, 245 CCA
19	736-0322	Washer, Flat, .450 x 1.250 x .164	46	738-1132*	Screw, Shoulder, .250 x .150
20	741-0708	Bearing, Flange, Hex Split .500 ID	47	925-04039	Switch, Interlock
21	746-04353A	Deck Engagement Cable	48	710-0599	Screw, 1/4-20, 0.50
22	747-04470	Engagement Handle, Deck	49	725-04439	Solenoid, 12V, 100 Amp
23	748-0415B	Spacer, .385 ID x .635 OD x 1.54	50	747-04857	Belt Keeper Rod Assembly 42" Deck
24	750-0566A	Spacer, .260 x .372 x 1.030 Lg.	51	710-1260A	Screw, 5/16-18, .750 42" Deck
25	750-0956	Spacer, 1.010 x 1.40 x .825	52	783-04722-0637	Parking Brake Switch Bracket
26	956-04067A	Pulley, Engine, 42" Deck	53	925-3167	Snap Mount Switch
27	783-05358-0637	Cable Bracket			

* On Some Models

NOTE: Tractor features vary by model. NOT all parts listed above and pictured on the previous page are standard equipment.

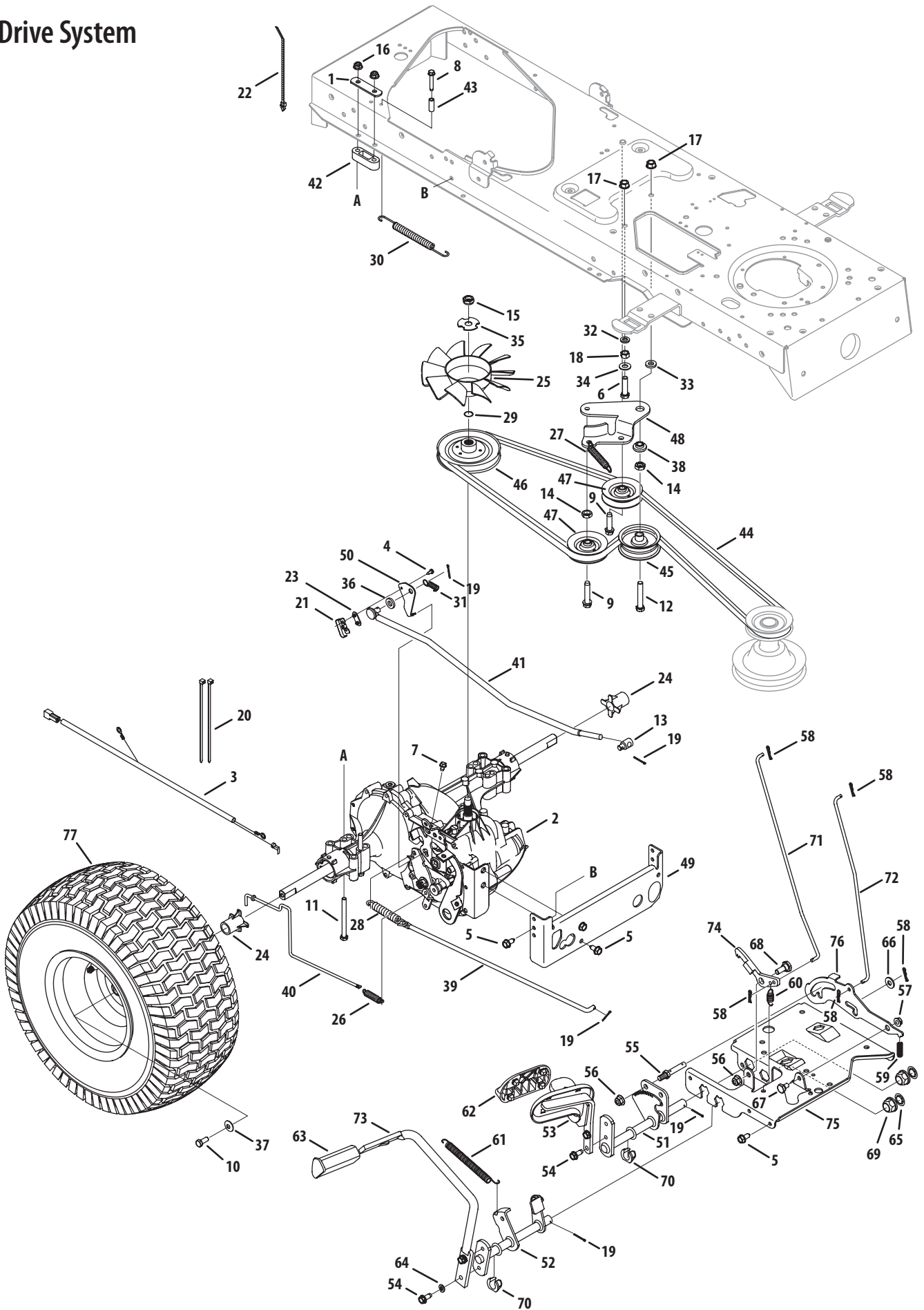
Frame & Electric PTO



Ref.	Part Number	Description	Ref.	Part Number	Description
1	683-04173B-0637	Frame Assembly, Lower	18	736-0277	Washer, Flat, 1.031 x 1.620 x.095
2	710-04484	Screw, 5/16-18 x 0.75	19	748-0415B	Spacer,.385 ID x.635 OD x 1.54
3	710-0607	Screw, 5/16-18, 0.500	20	756-0978B	Pulley, Engine, 3.56 Diameter
4	710-0642	Screw, 1/4-20, 0.750	21	917-04174A	PTO Clutch, Electric (50" Deck Units)
5	710-3005	Screw, 3/8-16, 1.25, Gr5	22	783-04419B-0637	Clutch Bracket
6	712-04064	Nut, Flange Lock, 1/4-20	23	738-1132	Screw, Shoulder,.250 x.15, 1/4-20
7	712-04065	Nut, Flange Lock, 3/8-16	24	783-04467-0637	Deck Bracket, Up-Stop (50" Deck)
8	732-04035	Spring, Compress., 1.28 x 3.125	25	17962	Switch Plate
9	936-0222	Washer, Lock, 1/4, External	26	910-0224	AB Screw, #10-16 x.500
10	738-04058	Spacer, Shoulder,.38 x 1.0 x.70	27	925-04039	Switch
11	747-04121A	Hold Rod, Battery	28	710-0599	Screw, 1/4-20, 0.50
12	783-0349-0637	Battery Tray	29	725-04439	Solenoid, 12V, 100 Amp
13	783-06089-0637	Seat Bracket, Frame	30	710-04666	Hex Flange Bolt, 1/4-20,.75
14	783-04809C-0637	Frame, Upper	31	712-0271	Nut, Sems, 1/4-20
15	710-04379A	Screw, 7/16-20, 3.50, Gr5, Lock	32	712-3087	Nut, Wing, 1/4-20
16	710-3011	Screw, 3/8-16, 2.25, Gr5	33	925-1707D	Battery, 245 CCA
17	936-0171	Lock Washer, 7/16			

NOTE: Tractor features vary by model. NOT all parts listed above and pictured on the previous page are standard equipment.

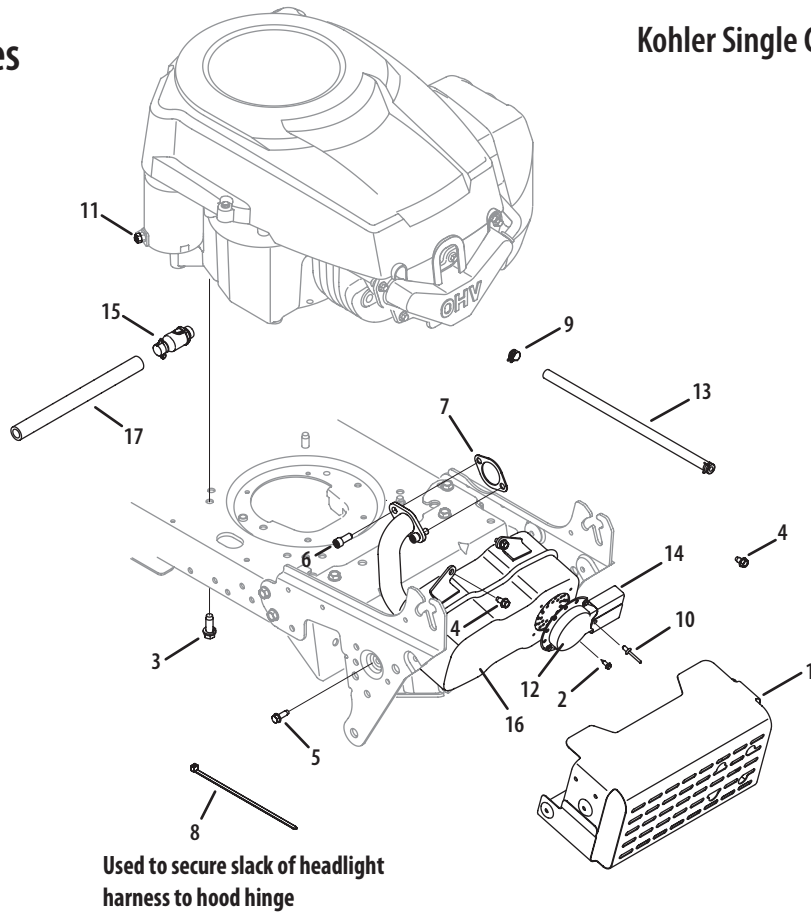
Drive System



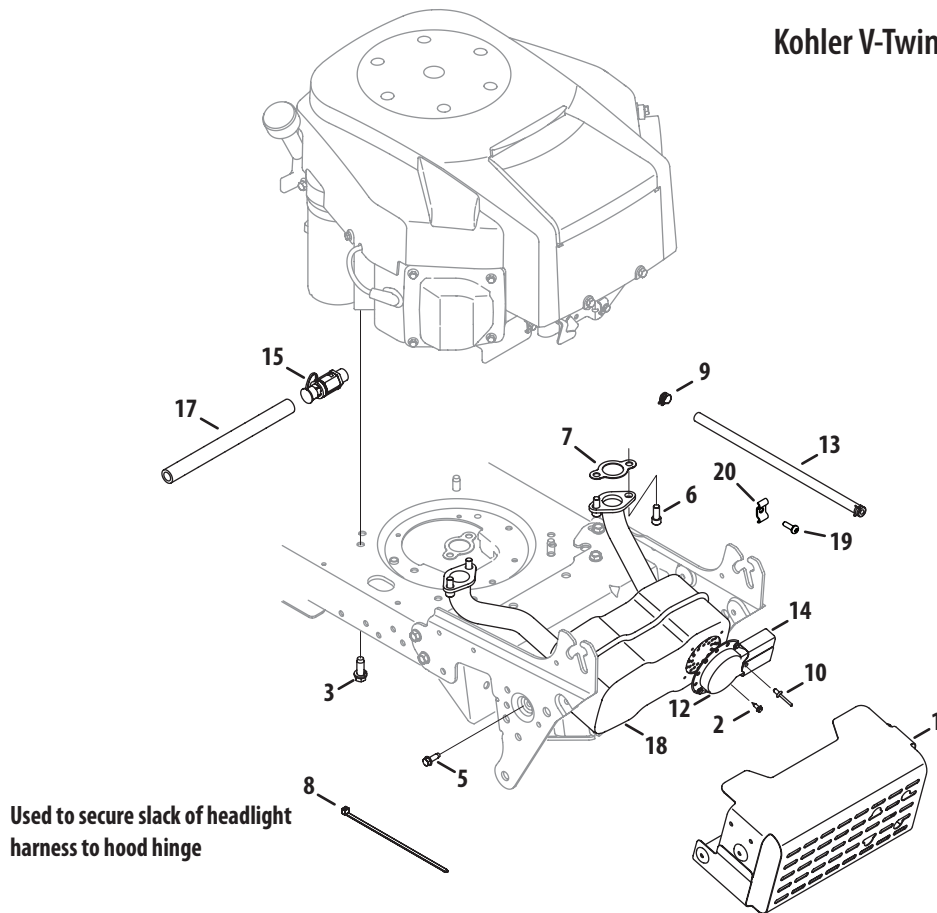
Ref.	Part Number	Description	Ref.	Part Number	Description
1	17840-0637	Transaxle Mounting Bracket	42	948-0334	Spacer, T-Axle .68
2	918-0319	Hydrostatic Transmission, 0510	43	750-0566A	Spacer, .260 X .372 X 1.030 Lg
3	629-0949B	Hydro Ground Harness Assembly	44	954-04165	V-Belt, 41 X 78 Lg Poly
4	710-0227	Screw, #8-18 x 0.500	45	756-04224	Flat Idler Pulley, 2.75 Od
5	710-04484	Self-Tap Screw, 5/16-18 x .750	46	756-04308	Input Pulley, 4.13 Dia
6	710-0520	Hex Head Screw, 3/8-16 x 1.50 Gr5	47	756-04325	Idler Pulley, V-Type X 3.06
7	710-0653	Self-Tap Screw, 1/4-20 x 0.375	48	783-04442-0637	Center Double Idler Bracket
8	710-0778	Self-Tap Screw, 1/4-20 x 1.500	49	783-0810B-0637	Hydro Torque Trans. Bracket
9	710-1007	Sems Self-Tap Screw, 3/8-16 x 1.500	50	783-1019B	Light Switch Actuator Bracket
10	710-0627	Hex Head Screw, 5/16-24, .750 x Gr5	51	647-0049A-0637	Hydro Control Assembly
11	710-1266	Hex Head Screw, 5/16-18 x 3.50 Gr5	52	647-04100-0637	Brake Control Assembly
12	710-3011	Hex Head Screw, 3/8-16 x 2.25	53	683-0267C	Hydro Control Pedal Assembly
13	911-0832	Ferrule, 3/8-24 x .375	54	710-1260A	Self-tap Screw, 5/16-18 x 0.750
14	912-0240	Jam Nut, 7/16-20	55	711-04159B	Pin, 3/8-16 X 2.68lg
15	912-0346	Flange Jam Nut, 1/2-20 Gr5	56	712-04065	Flange Lock Nut, 3/8-16 Grf
16	712-04063	Flange Lock Nut, 5/16-18 Grf	57	712-3004A	Flange Lock Nut, 5/16-18 Gr5
17	912-0431	Flange Lock Nut, 3/8-16 Grf	58	914-0104	Cotter Pin, .072 Dia. X 1.13 Lg
18	912-3017	Hex Nut, 3/8-16 Gr5	59	732-0335	Compression Spring, .405 X 1.17
19	914-0111	Cotter Pin, 3/32 1.0	60	732-0955	Extension Spring, .50 Od X 1.41 Lg
20	725-0157	Cable Tie, 3/16 X .05 X 7.4	61	732-0963	Extension Spring, .50 Dia X 6.37 Lg
21	725-1644	Short Spring Switch	62	735-0662	Drive Pedal Pad
22	926-0154	Push Mount Cable Tie, 7.5 Lg	63	735-3049A	Brake Control Pad
23	926-0320	Insulator Plate Nut	64	936-0119	Lock Washer, 5/16, Regular Duty
24	731-05299	Sleeve, .765 Id X 1.500 Lg	65	736-0187	Flat Washer, .64 X 1.24 X .06
25	731-06098	LT Hydro Fan	66	736-0262	Flat Washer, .385 X .870 X .092
26	932-0209	Extension Spring, .48 Od X 2.03	67	938-0155	Shoulder Bolt, .435 X .160, 5/16-18
27	732-04323B	Extension Spring, .770 X 3.720 Lg	68	938-0380	Shoulder Bolt, .500 X .270, 3/8-16
28	732-0716D	Extension Spring, .59 Od X 4.00 Lg	69	941-0225	Hex Flange Bearing
29	732-0729	Wire Ring	70	741-3065B	Hex Flange Bearing
30	732-0994	Extension Spring, .500 Dia X 7.0 Lg	71	747-04093A	Brake Lock-Rod
31	732-3118	Extension Spring, 3/8 Od X 1.44 Lg	72	747-04096	Cruise Control Rod
32	936-0169	Lock Washer, 3/8 Regular Duty	73	747-04641A-0637	Brake Pedal
33	736-0258	Flat Washer, .385 X 1.0 X .135	74	748-04039C	Latch, cruise
34	936-0300	Flat Washer, .406 X .875 X .059	75	783-04612-0637	Steering Support Bracket
35	736-04263	Lock Washer, Hydro Trans.	76	783-0663E	Hydro Lockout Bracket
36	736-3010	Flat Washer, .407 x .812 x .135	77	634-0104-0901	Tire Assembly Complete 20 x 8 x 8
37	736-0242	Belleville Washer, .340 X .872 X .060	—	734-1730-0901*	Tire, 20 x 8 x 8 Sq. Shldr.
38	738-0372B	Shoulder Spacer, 1.00 X .38 X .38	—	634-0177-0911*	Tire Assembly Complete 20 x 10 x 8
39	747-04139	Hydro Brake Rod	—	734-1873-0901*	Tire, 20 x 10 x 8 Sq. Shldr.
40	747-1149	Hydro Bypass Rod	—	634-04369-0662*	Rim-Wheel, Rear
41	747-1151	Hydro Control Rod	—	934-0255*	Valve-Air, Tubeless

* Not Shown

Kohler Single Cylinder



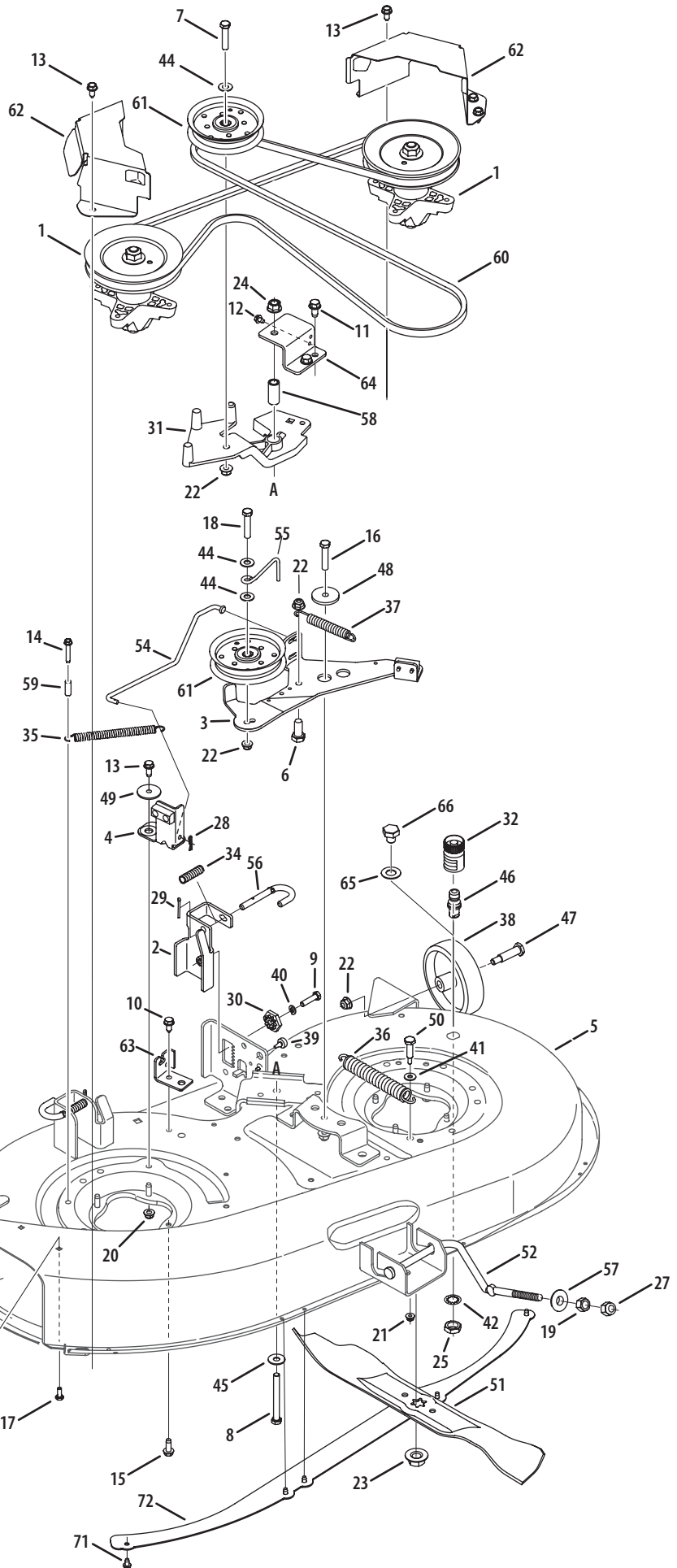
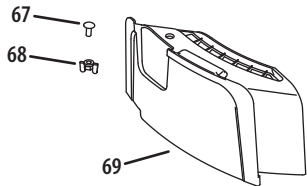
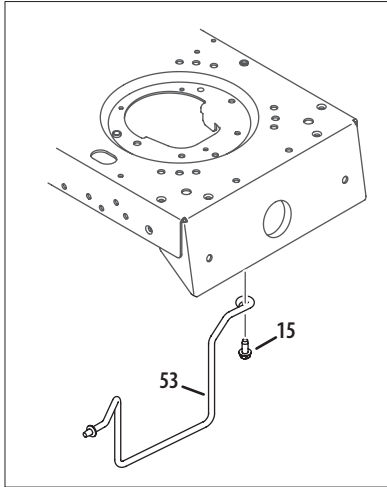
Kohler V-Twin Cylinder



Ref.	Part Number	Description
1	683-04549-0637	Shield, Muffler
2	710-0227	Screw, #8-18, 0.500
3	710-04683	Screw, Hex, 3/8-16 x 1.00
4	710-0599	Screw, Hex, 1/4-20, 0.500
5	710-0642	Screw, Hex, 1/4-20, 0.750
6	710-1314A	Screw, 5/16-18, 0.75
7	KH-20-041-12-S	Exhaust Gasket
8	725-0157	Cable, Tie, 3/16 x .05 x 7.4
9	726-0205	Hose Clamp
10	728-04000	Rivet, Pop, .188 x .325
11	736-0277	Flat Washer, 1.031 x 1.620 x .095
12	751-0564B	Deflector, Muffler
13	751-10349	Fuel Line, Low Permeation
14	751-10353	Extension, Deflector
15	951-10517A	Drain, Oil
16	751-11022	Muffler, Single Inlet
17	751-3141-14	Extension Hose, Oil Drain
18	751-10528	Twin Muffler, Kohler
19	KH-24-086-43-S	Self-Tap Screw, M5 x 0.8 Torx
20	KH-47-237-02	Conduit Dual Clamp, Kohler

NOTE: Tractor features vary by model. NOT all parts listed above and pictured on the previous page are standard equipment.

42-inch Mowing Deck



42-inch Mowing Deck

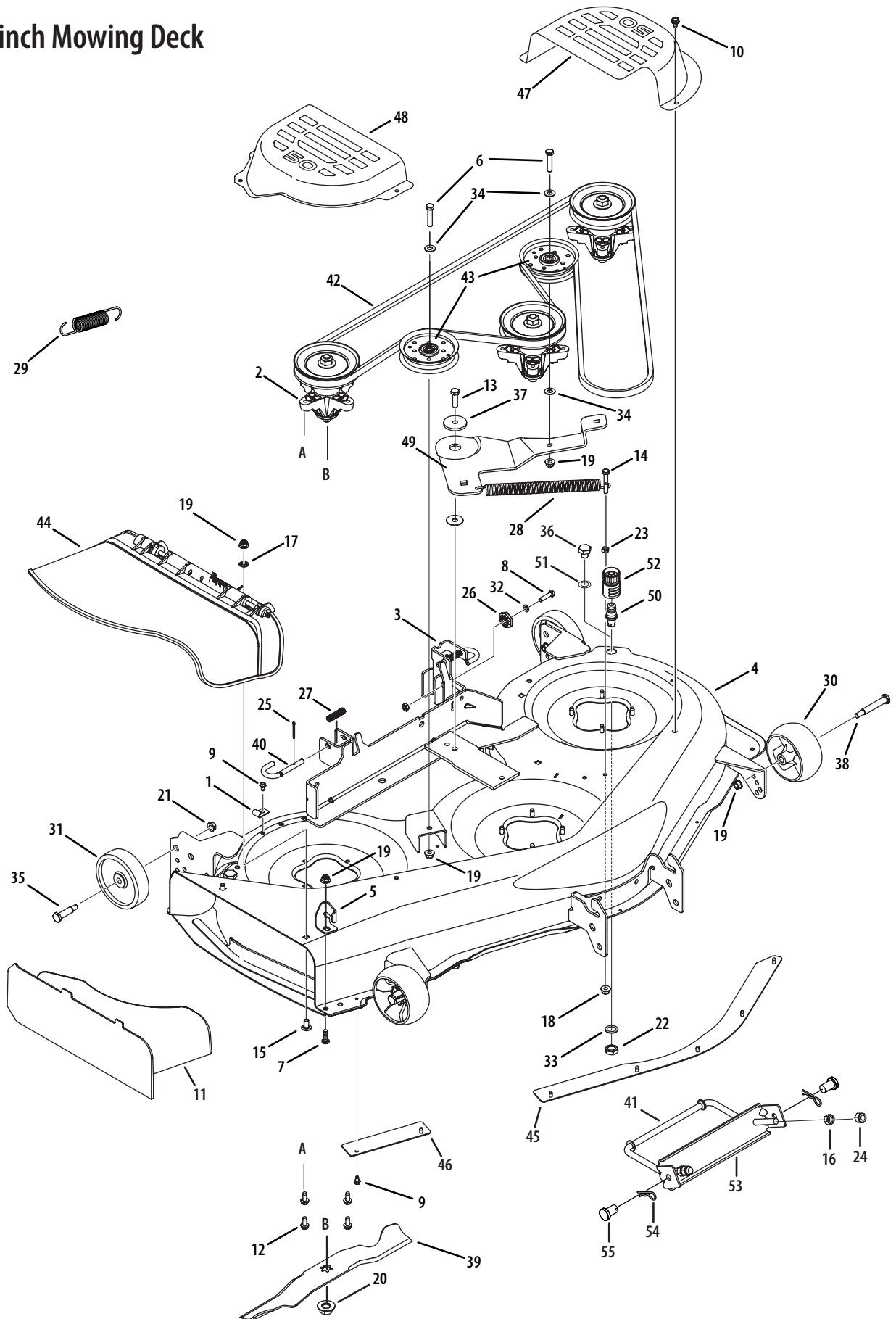
Ref.	Part Number	Description	Ref.	Part Number	Description
1	918-04456	Spindle Assembly Pulley 6.3 Dia	37	932-0470A	Extension Spring, .53 x 4.75
2	683-0254B-0637	Deck Hanger Bracket Assy. LH	38	734-0973	Deck Wheel, 5.0 x 1.38
3	683-04138B-0637	Brake Assembly, 42" Deck	39	735-0271A	Bumper, .62 Dia. x .3
4	983-04167	Brake Assembly, 42" Deck	40	936-0119	Lock Washer, 5/16
5	983-04261-0637	Deck Assembly 42" W/Whl Brkt.	41	736-0173	Flat Washer, .28 x .74 x .063
6	710-0216	Screw, 3/8-16 x .75 GR5 STD	42	736-0225	Lock Washer, 5/8
7	710-0347	Screw, 3/8-16 x 1.75 GR5 STD	43	736-0270	Bell Washer, .265 x .75 x .062
8	710-0510	Screw, 7/16-20 x 3.00 GR5 STD	44	936-0300	Flat Washer, .406 x .875 x .059
9	710-0528	Screw, 5/16-18 x 1.25 GR5 STD	45	736-0322	Flat Washer, .450 x 1.250 x .164
10	710-04484	Screw, 5/16-18 x 0.75	46	737-04003D	Deck Water Nozzle
11	710-0623	Screw, 3/8-16 x 0.750	47	938-0373	Shoulder Bolt, .496 x 1.525
12	710-0653	Screw, 1/4-20 x 0.375	48	738-04162A	Shoulder Spacer, .8840 x .190
13	710-3008	Screw, 5/16-18 x 0.750	49	738-04166	Shoulder Spacer, .5000 X .1475
14	710-0778	Screw, 1/4-20 x 1.500	50	738-04272	Shoulder Screw, .374 x 1.16
15	710-1260A	Screw, 5/16-18 x 0.750	51	942-0616A	3 in 1 Star Blade 21.23"LG
16	710-3005	Screw, 3/8-16 x 1.25	52	747-04269A	Adjustable Front Deck Rod,
17	710-3015	Screw, 1/4-20 x .75	53	747-04857	Belt-Keeper Rod, 42"
18	710-3144	Screw, 3/8-16 x 2.00	54	747-04501	Brake Control Rod, 42"
19	912-0206	Hex Nut, 1/2-13	55	747-04530	Belt Keeper Rod, 42" IDLER
20	712-04063	Flange Lock Nut, 5/16-18	56	747-1116	Deck Release Handle Rod
21	712-04064	Flange Lock Nut, 1/4-20	57	748-04069	Deck Lift Pivot Cup
22	712-04065	Flange Lock Nut, 3/8-16	58	750-04637B	Spacer, .455 X .697 X 1.585
23	712-0417A	Flange Nut, 5/8-18	59	750-0566A	Spacer, .260 x .372 x 1.030
24	712-0459	Flange Lock Nut, 7/16-20	60	954-04045	V-Belt
25	912-0641	Hex Nut, M16-1.5 DIN 936	61	756-04129B	Idler Pulley, 4.25"DIA
26	712-3006	Hex Nut, 1/4-20	62	783-04327B-0637	Belt Covers, 6.00 DIA
27	712-3083	Hex Lock Nut, 1/2-13	63	783-04740-0637	Cable Deck Engage Bracket
28	914-0104	Cotter Pin, .072 Dia. x 1.13 Lg.	64	783-05490-0637	Support Bracket
29	914-0470	Cotter Pin, 1/8 x 1.25	65	736-0187	Flat Washer, .64 x 1.24 x .06
30	917-04074	Deck Gear Adjustment	66	738-04146	Bolt Plug, M16 x 1.5
31	719-04233-0637	Idler Bracket, Cast 42" DECK	67	710-0134	Carriage Screw, 1/4-20 x .62
32	921-04041	Water Nozzle Adapter	68	712-3087	Wing Nut, 1/4-20
33	726-0233	Push Nut, .25 ID x .50 OD	69	731-2363	Mulch Plug
34	932-0306A	Compression Spring .531 x 1.75	70	931-1032B	Discharge Chute Assembly
35	732-04287	Extension Spring, .500 x 6.375	71	710-0599	Screw, Hex, 1/4-20, 0.500
36	732-0459C	Extension Spring, .94 x 6.74	72	783-1146A	Deck Skirt, 42"

IMPORTANT: For a proper working machine, use only Factory Approved Parts.

IMPORTANT: V-belts are designed to engage and disengage safely. A substitute (non OEM) V-belt can be dangerous by not disengaging completely.

NOTE: Tractor features vary by model. NOT all parts listed above and pictured on the previous page are standard equipment.

50-inch Mowing Deck



50-inch Mowing Deck

Ref.	Part Number	Description	Ref.	Part Number	Description
1	96606	Hook, Retainer	29	732-0934	Spring, Lift Assist
2	918-04126A	Spindle Assembly	30	734-04155	Deck Wheel, 5.0
3	683-0254B-0637	Hanger Bracket Assembly	31	734-0973	Deck Wheel, 5.0
4	983-04075B-0637	Weldment, 50-inch Deck	32	936-0119	Washer, Lock, 5/16
5	703-3279-0637	Chute Stop	33	736-0225	Lock Washer, 5/8"
6	710-0347	Screw, 3/8-16, 1.75	34	936-0300	Washer, Flat, .406 x .875 x .059
7	710-04095	Screw, 3/8-16 x 1.0	35	938-0373	Shoulder Screw
8	710-0528	Screw, 5/16-18, 1.25, Gr5	36	738-04146	Bolt Plug
9	710-0599	Screw, 1/4-20 x 0.5	37	738-04162A	Spacer, Shoulder, .884 x .190
10	710-0607	Screw, 5/16-18, .500	38	738-3056	Shoulder Screw
11	731-04651	Mulch Plug	39	942-04053C	Blade, 17.90
12	710-1260A	Screw, 5/16-18, .750	40	747-1116	Rod, Deck Release .375 Dia.
13	710-3005	Screw, 3/8-16, 1.25	41	747-1324	Rod, Deck Adjust
14	710-3103	Screw, 5/16-18 x 2.00	42	954-04164	Belt, V-Type
15	710-3178	Screw, Carriage, 3/8-16 x .75	43	756-04129B	Pulley, Idler, 3.5"
16	912-0206	Hex Nut, 1/2-13	44	631-04070A	Chute Assembly, Side Discharge
17	712-0229	Push Nut Retainer	45	783-04414A-0637	Deck Skirt, Center
18	712-04063	Nut, Nylon Lock, 5/16-18	46	783-04415-0637	Deck Skirt, RH
19	712-04065	Nut, Nylon Lock, 3/8-16	47	783-05280-0637	LH Belt Cover
20	712-0417A	Nut, Hex, Flange, 5/8-18	48	783-05281-0637	RH Belt Cover
21	912-0431	Nut, Nylon Lock, 3/8-16, Top Lock	49	783-05474-0637	Idler Bracket
22	912-0641	Nut, Hex, M16-1.5	50	737-04003D	Port, Water
23	912-3010	Nut, Hex, 5/16-18, Gr5	51	736-0187	Flat Washer, .64 x 1.24 x .06
24	712-3083	Hex Lock Nut, 1/2-13	52	921-04041	Water Nozzle Adapter
25	914-0470	Pin, Cotter, 1/8 x 1.25	53	783-0720A	Front Deck Rod Adjustment Bracket
26	917-04074	Deck Adjustment Gear	54	914-04023	Cotter Pin
27	932-0306A	Spring, Compression, .531 x 1.75	55	783-0720C-0637	Clevis Pin, .50 dia. x .78 lg.
28	732-0459C	Spring, Extension, .94 x 6.74			

IMPORTANT: For a proper working machine, use only Factory Approved Parts.

IMPORTANT: V-belts are designed to engage and disengage safely. A substitute (non OEM) V-belt can be dangerous by not disengaging completely.

NOTE: Tractor features vary by model. NOT all parts listed above and pictured on the previous page are standard equipment.