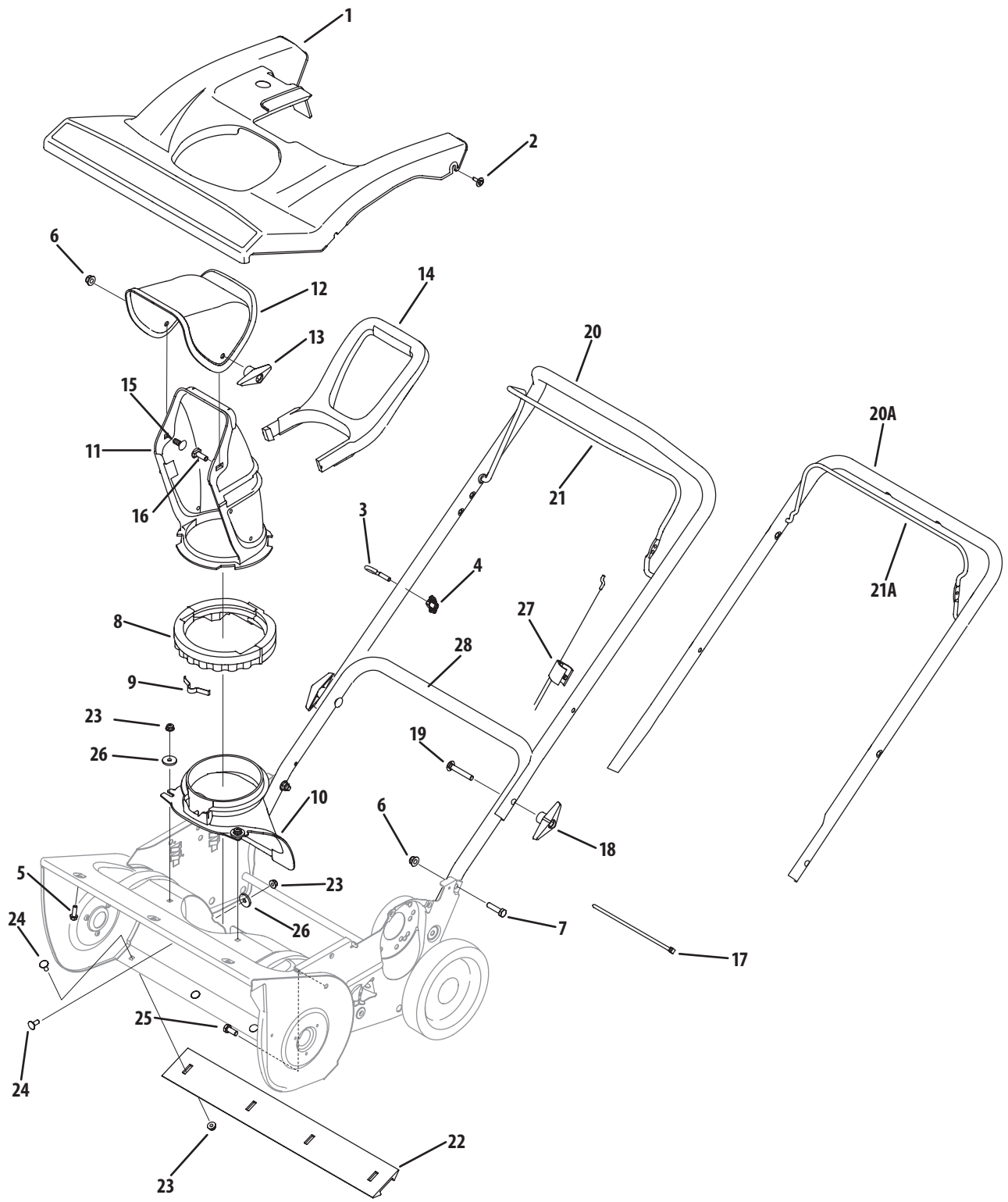


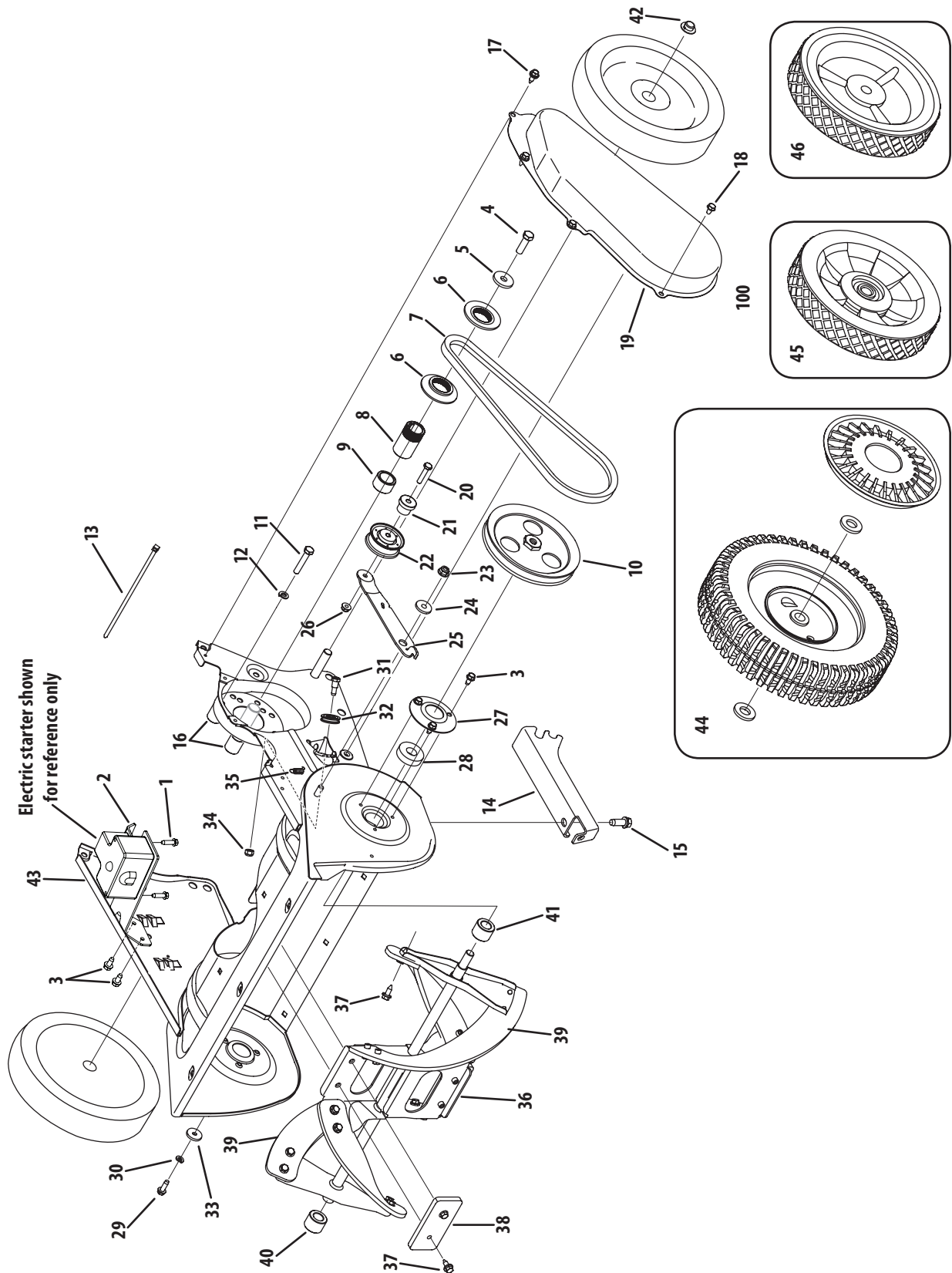
Model 2N1 & 2P5 Snow Thrower Shroud, Chute, Handle & Auger Housing



Model 2N1 & 2P5 Snow Thrower Shroud, Chute, Handle & Auger Housing

Ref.	Part Number	Description
1.	731-06452	Shroud
2.	710-04669	Hex Washer Screw, 10-16 x .625
3.	710-1205	Eye Bolt, ¼-20
4.	720-0279	Knob Handle
5.	710-0895	Hex Washer Screw, ¼-15 x .750
6.	712-04063	Flange Lock Nut, ⅝-18
7.	710-0528	Hex Screw, ⅝-18 x 1.25
8.	731-04353	Lower Chute Ring
9.	732-04111	Chute Adjustment Spring
10.	731-04886	Chute Adapter
11.	731-04127	Lower Chute, 5" Diameter
12.	731-04426A	Upper Chute
13.	720-0284	Wing Knob
14.	731-04388A	Chute Handle
15.	710-0451	Carriage Bolt, ⅝-18 x .750
16.	710-04071	Carriage Bolt, ⅝-18 x 1.00
17.	725-0157	Cable Tie, ⅜ x .05 x 7.4
18.	720-0284	Wing Nut
19.	710-04532	Carriage Screw, ⅝-18 x 2.00
20.	749-04106A	Gullwing Handle
20A.	749-04459	Handle
21.	747-04159A	Gullwing Control Bail
21A.	747-04165	Control Bail
22.	731-1033	Shave Plate, 21"
23.	712-04064	Flange Lock Nut, ¼-20
24.	710-0134	Carriage Screw, ¼-20 x .62
25.	710-3008	Hex Screw, ⅝-18 x .75
26.	736-0176	Flat Washer, .265 x .938 x .120
27.	746-04237	Clutch Cable
28.	749-04114	Lower Handle

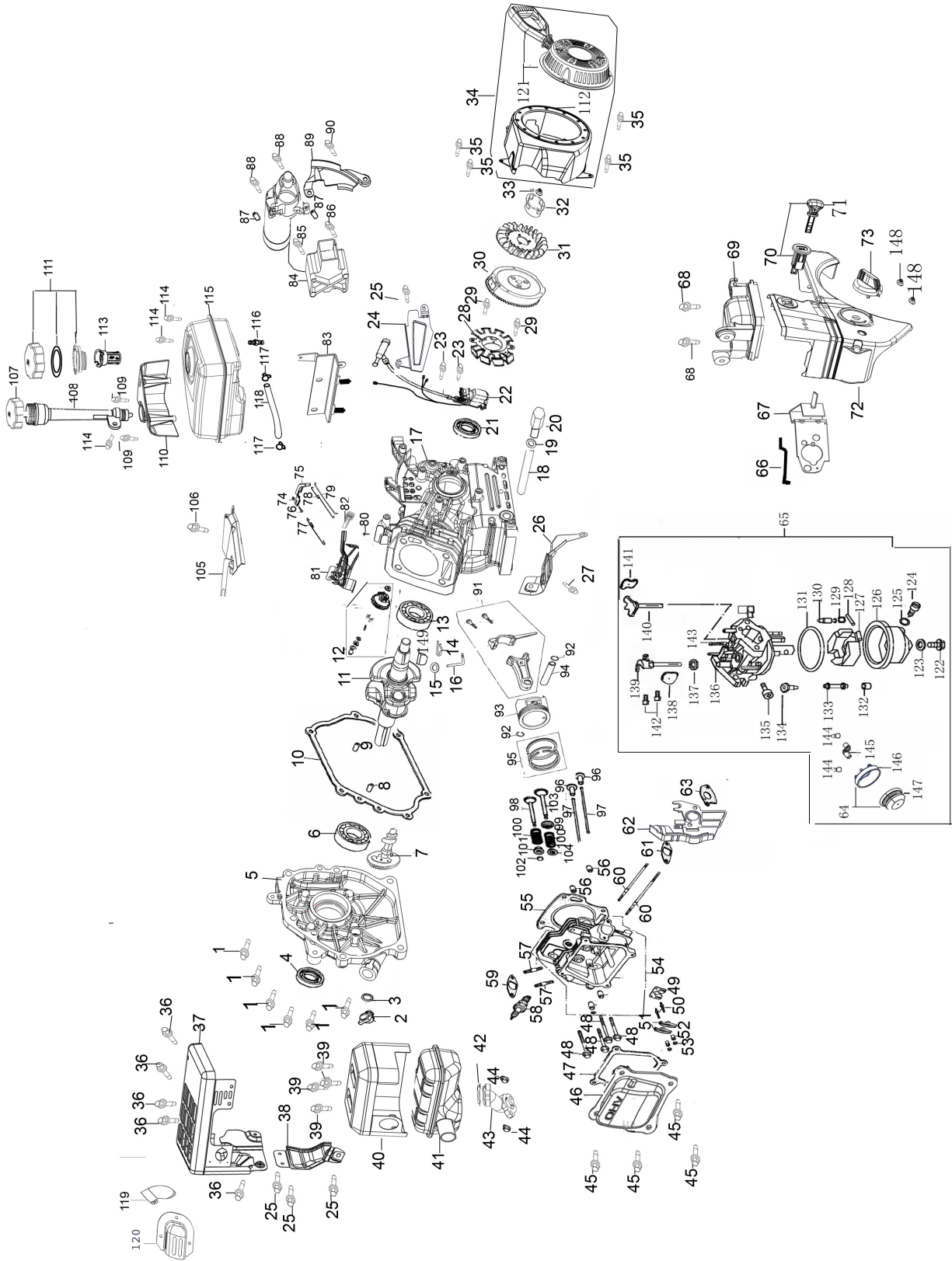
Model 2N1 & 2P5 Snow Thrower Drive System & Auger Assembly



Model 2N1 & 2P5 Snow Thrower Drive System & Auger Assembly

Ref.	Part Number	Description	Ref.	Part Number	Description
1.	710-04373A	Hex Screw, #12-16 x .75	26.	712-04064	Flange Lock Nut, ¼-20
2.	790-00335	Electric Starter Support Bracket	27.	790-00249	Bearing Cup
3.	710-1005	Hex Screw, ¼-14 x .500	28.	741-04188A	Ball Bearing, 1.25 x 37 x 12.6301
4.	710-0879	Hex Screw, ⅜-24 x 1.25	29.	710-0642	Hex Screw, ¼-20 x .750
5.	736-0247	Flat Washer, .406 x 1.25 x .157	30.	736-0329	Lock Washer, ¼
6.	756-04353A	Pulley Half, 4L-V x 2.30 OD	31.	738-0924A	Shoulder Screw, .340 x .335 x ¼-28
7.	754-04204	V-Belt	32.	756-0625	Cable Roller
8.	750-04303	Spacer, .875 ID x 1.185 OD	33.	736-0176	Flat Washer, .265 x .938 x .120
9.	750-05084	Spacer, .88 ID x 1.18 OD x .74 Lg.	34.	712-0896	Hex Lock Nut, ¼-28
10.	756-04232	V-Type Pulley, ½ x 35.7	35.	732-0357A	Extension Spring, .33 OD x 1.12
11.	710-0409	Hex Screw, ⅝-24 x 1.75	36.	684-04253	Auger Assembly, 21"
12.	736-0119	Lock Washer, ⅝	37.	710-0896	Hex Screw, ¼-14 x .625
13.	726-0154	Cable Tie, 7.5	38.	735-04033	Rubber Pad
14.	790-00334	Engine Support Bracket	39.	735-04032	Spiral Crescent
15.	710-0654A	Hex Washer Screw, ⅜-16 x 1.000	40.	750-04758	RH Spacer
16.	750-04297B	Spacer, .875 x .320 x 1.027	41.	750-04757	LH Spacer
17.	710-0896	Hex Washer Screw, ¼-14 x .625	42.	726-0299	Push Cap, ½
18.	710-0653	Hex Washer Screw, ¼-20 x .375	43.	684-04315	Auger Housing
19.	790-00045B	Belt Cover	—	684-04314	Auger Housing
20.	710-0106	Hex Screw, ¼-20 x 1.25	44.	734-2010	Wheel, 9 x 2.125
21.	750-04571	Shoulder Spacer, .260 x .785 x .538	—	731-0981A	Hub Cap
22.	684-04168	Pulley Assembly, 1.917 OD	—	736-0326	Flat Washer, .510 x 1.000 x .125
23.	712-04063	Flange Lock Nut, ⅝-18	45.	734-04063	Wheel, 7 x 1.5
24.	748-0234	Shoulder Spacer	46.	734-04070	Wheel, 7 x 1.61
25.	790-00238A	Idler Bracket w/ Brake			

179/208 cc ZS 365/370-SUA Engine



179/208 cc ZS 365/370-SUA Engine

Part No.	Description	Ref. No.
751-10724	Short Block Assembly	—
	Bolt	1
	Oil Filler Plug	2
	O-ring	3
	Oil seal, 25 × 41.25 × 6	4
	Crankcase cover	5
	Radial Ball Bearing	6
	Camshaft Assembly	7
	Dowel Pin, 9 × 14	8
	Dowel Pin, 7 × 14	9
	Crankcase Cover Gasket	10
	Crankshaft Complete	11
	Governor Kit	12
	Radial Ball Bearing	13
	Pin Lock	14
	O-ring, 5.2 × 1.9	15
	Governor Arm	16
	Crankcase	17
	Oil-Draining Pipe	18
	Washer, 10 × 16 × 1.5	19
	Drain Bolt, 10 × 1.25	20
	Oil Seal, 25 × 41.25 × 6	21
	Cylinder Head Gasket	55
	Dowel Pin, 10 × 16	56
	Gasket Muffler	59
	Insulator Gasket Carburetor	61
	Insulator Carburetor	62
	Connecting Rod Assembly	91
	Piston Pin Clip	92
	Piston	93
	Pin Piston	94

Part No.	Description	Ref. No.
751-10722	Cylinder Head Assembly	—
	Valve Cover Gasket	47
	Plate Push Rod Guide	49
	Pivot Bolt	50
	Rocker Arm	51
	Valve Adjusting Nut	52
	Pivot Locking Nut	53
	Cylinder Head Complete	54
	Cylinder Head Gasket	55
	Gasket Muffler	59
	Exhaust Valve	98
	Valve Seal	99
	Spring Valve	100
	Exhaust Valve Spring Retainer	101
	Exhaust Valve Adjuster	102
	Intake Valve	103
	Internal Valve Spring Retainer	104
751-10723	Gasket Kit - Complete	—
	Crankcase Cover Gasket	10
	O-ring, 5.2 × 1.9	15
	Oil-Draining Pipe	18
	Washer, 10 × 16 × 1.5	19
	Drain Bolt, 10 × 1.25	20
	Oil Seal, 25 × 41.25 × 6	21
	Gasket	42
	Valve Cover Gasket	47
	Cylinder Head Gasket	55
	Gasket Muffler	59
	Carburetor Insulator Gasket	61
	Carburetor Insulator	62
	Carburetor Gasket	63
	Push Rod	97
	Exhaust Valve	98
	Intake Valve	103

179/208 cc ZS 365/370-SUA Engine

Part No.	Description	Ref. No.
751-10952	Gasket Kit - External	—
	Valve Cover Gasket	47
	Gasket Muffler	59
	Carburetor Insulator Gasket	61
	Carburetor Insulator	62
	Gasket Carburetor	63
751-10974	Carburetor Assembly (365-SUA)	65
751-10638	Carburetor Assembly (370-SUA)	65
	Fuel Drain Plug	122
	Fuel Cup Fixed Bolt Packing	123
	Fuel Drain Plug	124
	Fuel Drain Plug Gasket	125
	Fuel Cup	126
	Float	127
	Floating Pin	128
	Needle Valve Spring	129
	Needle Valve	130
	O-ring Packing	131
	Main Jet	132
	Main Nozzle	133
	Idle Jet Assembly	134
	Idle Speed Adjusting Screw	135
	Carburetor Body	136
	Fiber Seal	137
	Choke Plate	138
	Throttle Shaft	139
	Choke Plate	140
	Choke Shaft	141
	Cross Screw	142
	Position Spring	143
	Clip	144
	Fuel Hose	145
	Primer Base	146
	Primer Bulb	147
751-10641	Oil Drain Assembly	18, 19, 20
751-10646	Ignition Module	22
751-10719	Stator	28
751-10805	Flywheel	30
751-10909	Cooling Fan	31

62 NOT INCLUDED IN GASKET KIT. ORD PART # 951-12611

Part No.	Description	Ref. No.
751-10911	Starter Cup	32
751-10642A	Muffler Shroud	37
751-10643	Muffler Shield	40
751-10644	Muffler Complete Exhaust Pipe	41, 43
751-10666	Gasket	42
751-10657	Muffler Stud Assembly, 8 × 34	57
751-10292	Spark Plug	58
751-10640	Choke Push Rod	66
751-10635	Air Filter Heating Pipe Cover	69
751-10637	Key Switch	70
751-10630	Key	71
751-10634	Shroud	72
751-10636	Choke Knob	73
751-10654	Spring Governor	77
751-10664	Spring Throttle Return	78
751-10665	Rod Governor	79
751-10758	Throttle Control Assembly	81
751-10757	Throttle Control Knob	82
751-10645A	Electric Starter, 110v	84
751-10648	Push Rod Kit	97
751-10647	Valve Kit	98, 103
751-10655	Dipstick	107
751-10656	Dipstick Base	108
751-10662	Dipstick Decoration Cover	110
751-10649	Fuel Tank Cap	111
751-10663A	Blower Housing	112
751-10652	Fuel Filter	113
751-10653A	Fuel Tank	115
751-10651	Nipple Fuel Tank	116
751-10650	Fuel Line Kit	117, 118
751-10658	Recoil Starter Assembly Starter Handle	121 —
751-10639	Primer	147
751-10307	Woodruff Key	149
952Z370-SUA	Complete 370-SUA Engine	—
952Z365-SUA	Complete 365-SUA Engine	—