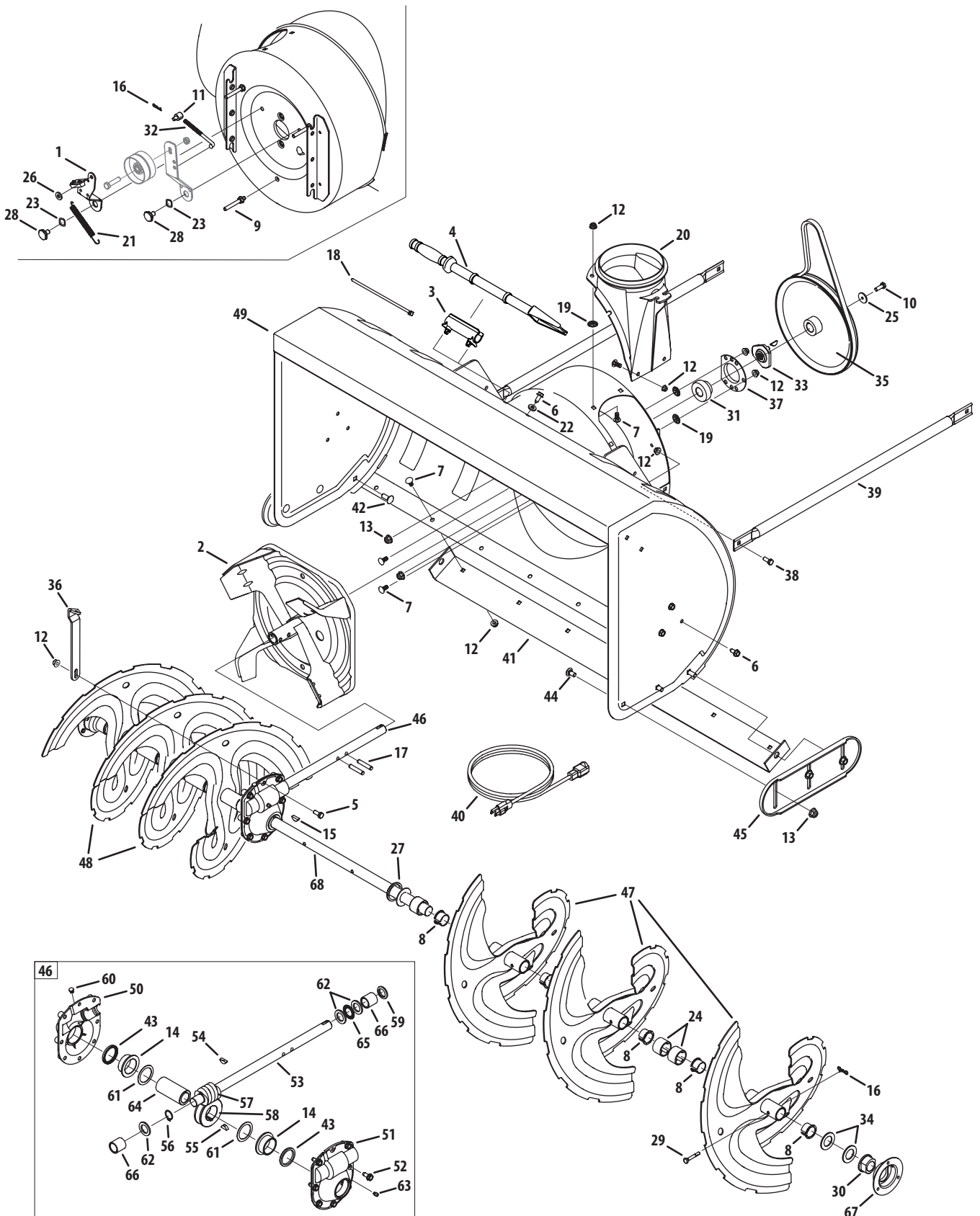


Augers, Auger Housing, and Gearbox



Augers, Auger Housing, and Gearbox

Ref.	Part Number	Description
1.	618-02`81A	Bracket Assembly, Auger Brake
2.	684-0090B	Impeller , 16"
3.	731-2635	Clip, Mounting
4.	731-2643	Tool, Clean-out
5.	710-0376	Screw, Hex Cap, 5/16-18 x 1.0 Gr5
6.	710-04484	Screw, 5/16-18 x .750
7.	710-0451	Screw, Carriage, 5/16-18 x .75
8.	741-0494	Flange Bushing
9.	710-04606	Screw w/Stud, 5/16-18 x .4300
10.	710-1245B	Screw, Hex Cap Lock, 5/16-24 x .875
11.	711-0677	Ferrule
12.	712-04063	Nut, Hex Flange Lock, 5/16-18
13.	712-04065	Nut, Hex Flange Lock, 3/8-16
14.	741-0670	Flange Bearing
15.	714-0135	Key, Woodruff, 1/4 x 3/4
16.	714-04040	Pin, Bow-tie Cotter
17.	715-0118	Pin, Spiral, 5/16 x 1.75
18.	725-0157	Cable Tie
19.	726-04012	Nut, Push
20.	731-1696B	Adapter, Chute, 6"
21.	732-0858	Spring, Extension
22.	736-0159	Washer, Flat, .349 x .879 .063
23.	736-0174	Washer, Wave, .625 x .885 x .015
24.	731-05163	Spacer, 1.50 x 1.00 x 1.00
25.	736-0505	Washer, Flat, .34 x 1.5 x .15 Ht.
26.	736-3008	Washer, .344 x .75 x .12
27.	736-3046A	Washer, 1.01 x 1.86 x .06
28.	738-0281	Screw, Shoulder, .625 x .17
29.	738-04155	Pin, Shear, .25 x 1.75
30.	741-0192	Bearing, Flange w/Flats
31.	741-04024	Bearing, Self Aligning
32.	747-0980A	Rod, Auger Idler
33.	748-04067A	Adapter, Pulley w/Pins
34.	750-04020	Spacer, 1.004 x 1.375 x .25

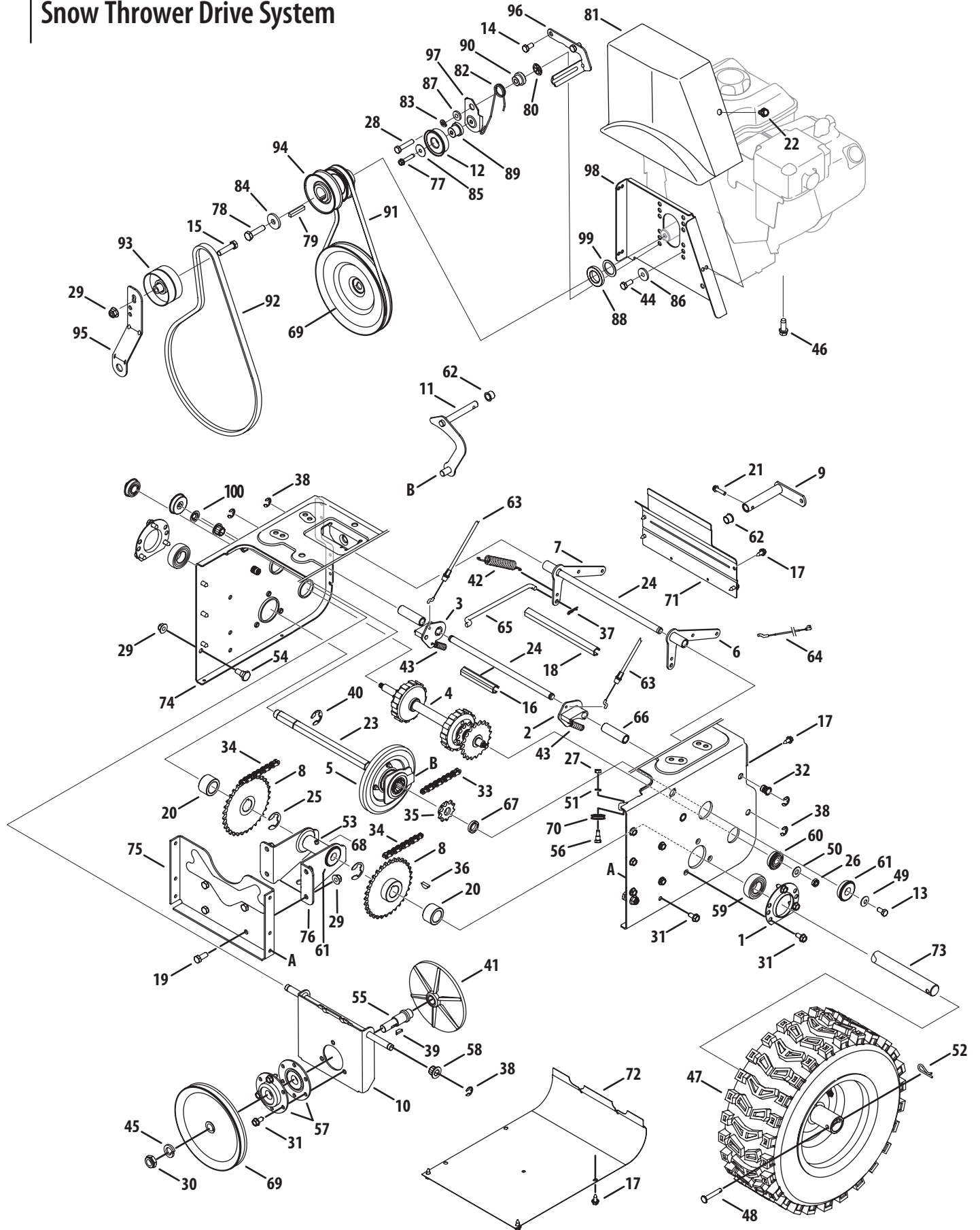
Ref.	Part Number	Description
35.	756-04244A	Pulley, Auger Drive, 10.0
36.	790-00264A	Bracket, Gear Box Support
37.	05244B	Housing, Bearing
38.	710-3008	Screw, 5/16-18 x .75 GR5
39.	749-04384	Tube, Support
40.	629-0071	Extension Cord, 110V
41.	790-00280	Shave Plate
42.	710-3168	Bolt, Carriage, 3/8-16 x 1.00
43.	721-0146	Oil Seal
44.	710-0389	Bolt, Carriage, 3/8-16 x .750
45.	784-5697	Shoe, Skid
46.	618-04515	Gear Box Assembly
47.	684-04151	Spiral Assembly, LH
48.	684-04152	Spiral Assembly, RH
49.	684-04223	Housing, Auger - 45"
50.	618-0246	Housing Assembly, Auger, RH
51.	618-0435	Housing Assembly, Auger, LH
52.	710-1260A	Screw, LD, 5/16-18 x .750
53.	711-04714	Auger Drive Shaft
54.	714-0126	Key, Hi Pro, 3/16 x 3/4
55.	714-0135	Key, 1/4 x 3/4 Dia.
56.	716-0111	External Retainer Ring
57.	717-0299	Gear, Worm
58.	717-1425	Gear, Worm, LH
59.	721-0145	Seal, Oil
60.	721-0325	Plug
61.	736-0266	Wash, Flat, 1.52ID x 2.0 OD
62.	736-0291	Wash, Flat, .88 ID x .38 OD
63.	737-3000	Grease Fitting, 3/16
64.	738-0275	Worm Gear Shaft
65.	741-0184	Bearing, Thrust
66.	741-0217	Sleeve
67.	05845C	Housing, Bearing
68.	738-04159	Axle, Spiral

Handles, Handle Panel & Discharge Chute

Ref.	Part Number	Description
1.	629-04010A	Duel Light Harness
2.	646-0012	Cable Assembly, Auger/Drive
3.	684-0053B	Crank, Chute, 26.0
4.	705-5266	Bracket, Chute Crank
5.	710-0276	Screw, Carriage, 5/16-18 x 1.0
6.	710-0458	Screw, Carriage., 5/16-18 x 1.75
7.	710-04682	Screw, Hex Lock, 3/8-16 x 2.0 Gr5
8.	710-0572	Screw, Carriage., 5/16-18 x 2.5
9.	710-3015	Screw, Hex, 1/4-20 x .75
10.	710-3118	Screw, Hex Lock, 3/8-16 x 1.0 Gr5
11.	711-0677	Ferrule, 5/16-18 x .312 Dia
12.	712-04063	Nut, Flange Lock, 5/16-18
13.	712-04064	Nut, Hex Flange, 1/4-20
14.	712-3068	Nut, Hex Patch Lock, 5/16-18 Gr5
15.	714-0101	Pin, Internal Cotter
16.	714-0104	Pin, Internal Cotter
17.	720-0201A	Knob, Crank
18.	720-0284	Knob, Wing Nut, 5/16-18
19.	726-0100	Cap, Push, 3/8
20.	736-0105	Washer, Bell, .375 x .87 x .063
21.	736-0159	Washer, Flat, .349 x .879 x .063
22.	736-0185	Washer, Flat, .375 x .738 x .063
23.	736-0242	Washer, Bell, .34 x .872 x .06
24.	736-0275	Washer, Flat, .344 x .688 x .065
25.	736-3008	Washer, Flat, .344 x .750 x .120
26.	741-0475	Bushing, Plastic, .38 ID
27.	747-0624	Rod, Chute Crank
28.	747-0983A	Rod, Lower Shift
29.	747-0997	Rod, Upper Shift
30.	749-0989A	Handle, Upper LH
31.	749-0990A	Handle, Upper RH
32.	749-0991	Handle, Lower
33.	750-0963	Connector, Shift Rod
34.	784-5123	Chute Crank Bracket
35.	710-0597	Screw, Hex, 1/4-20 x 1.0
36.	710-0805	Screw, Hex, 5/16-18 x 1.5
37.	710-0895	Screw, Hx, 1/4-15 x .75
38.	731-0846C	Chute, Upper, 6.0
39.	731-0851A	Flange Keeper, Chute
40.	731-0903E	Chute, Lower

Ref.	Part Number	Description
41.	731-1313C	Cbl. Guide, Chute Tilt
42.	736-0231	Washer, Flat, .344 x 1.125 x .12
43.	784-5594	Bracket, Cable
44.	746-0902	Cable, Chute Control, 66"
45.	784-5604A	Handle, Chute Tilt
46.	746-0903	Cable, Chute Control w/Clip,
47.	710-1625	Screw, #10-24 x 1.75
48.	725-0157	Tie, Cable
49.	746-0950A	Cable Assembly, Trigger
50.	684-0102A	Panel, Handle
51.	710-0459A	Screw, Hex, 3/8-24 x 1.5
52.	710-0599	Screw, Hex, 1/4-20 x .5
53.	711-0653	Pin, Clevis, .312 x 1.0
54.	712-0116	Nut, Insert, 3/8-24
55.	714-0507	Pin, Cotter, 3/32 x .75
56.	732-0145	Spring, Compression
57.	732-0193	Spring, Compression
58.	732-0746	Spring, Torsion
59.	735-0199A	Bumper, Rubber
60.	736-0119	Washer, Lock, 5/16
61.	747-0877	Rod, Cam
62.	748-0362	Cam, Handle Lock
63.	748-0363	Pawl, Handle Lock
64.	784-5619B	Handle, Shift
65.	784-5679	Bracket., Handle Support - LH 5/8
66.	784-5680	Bracket, Handle Support - RH 5/8
67.	784-5681	Bracket., Handle Support - LH 3/8
68.	784-5682	Bracket., Handle Support - RH 3/8
69.	736-0509	Washer, Flat, .35 Sq x .72 x .134
70.	705-5218	Handle, Engage, RH
71.	705-5219	Handle, Engage, LH
72.	710-1003	Screw, #10-16 x .625
73.	720-04039	Knob, Shift
74.	731-04069	Panel, Handle
75.	725-1672	Lamp Housing Assembly w/ Lens
76.	710-04484	Screw, 5/16-18 x .750
77.	747-1136	Headlight Retainer
78.	725-1658	Lamp, Halogen, #890-12V-27W
79.	747-04786	Cable Guide

Snow Thrower Drive System



Snow Thrower Drive System

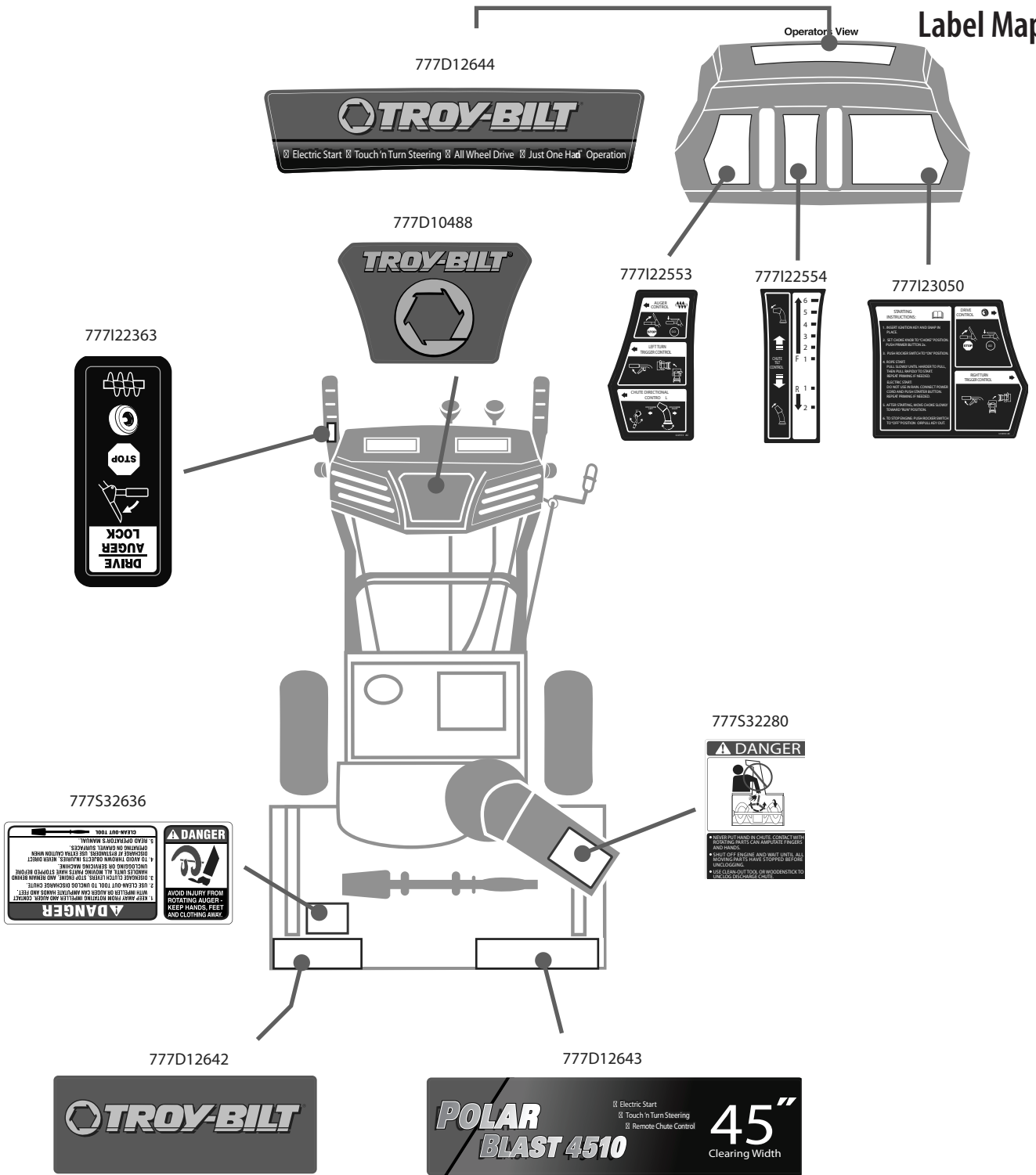
Ref. No.	Part No.	Description
1.	05244B	Housing, Bearing
2.	618-0279	Dogg, Steering Drive, LH
3.	618-0280	Dogg, Steering Drive, RH
4.	618-0282E	Shaft Assembly, Steering
5.	618-04178	Assembly, Friction Wheel
	718-04034	Wheel, Friction, Bonded
	710-0896	Screw, Hex Wash
6.	684-0118B	Bracket, Auger Actuator
7.	684-0119B	Bracket, Drive Actuator
8.	684-04235	Sprocket, 32T
9.	684-0161	Arm, Shift
10.	684-04212	Friction Drive Support Bracket
11.	684-04103	Rod Assembly, Shift
12.	684-04169	Idler Pulley Assembly
13.	710-0538	Screw, Hex Cap Lock,
14.	710-0237	Screw, Hex Cap, 5/16-24
15.	710-0347	Screw, Hex Cap, 3/8-16 x 1.75
16.	750-04718	Spacer, .51 ID x 3.66 Lg.
17.	710-1652	Screw, Hex Wash.
18.	750-04717	Spacer, .51 ID x 7.895 Lg.
19.	710-3001	Screw, Hex Cap, 3/8-16
20.	750-04703	Spacer, 1.0 ID x 1.50 OD
21.	710-0788	Screw, Hex, 1/4-20 x 1.00
22.	710-0607	Screw, Hex Wash Head Tapp
23.	711-04279	Shaft, Hex Drive
24.	711-04605	Shaft, Actuator
25.	716-04048	Ring, Retainer
26.	712-0116	Nut, Hex Insert Jam Lock
27.	712-0138	Nut, Hex, 1/4-28 GR5
28.	710-0624	Screw, Hex Cap, 5/16-24 x 1.50
29.	712-04065	Nut, Hx Flnge Insert Lk
30.	712-0413	Nut, Hx Insert Jam Lk
31.	710-04484	TT Screw, 5/16-18 x .750
32.	712-0717	Nut, Insert 3/8-16
33.	713-0284	Chain, Endless, #41 x 36L
34.	713-0286	Chain, #420 x 40L
35.	713-04015	Sprocket, #41 x 10T
36.	714-0135	Key, Woodruff
37.	714-0104	Pin, Internal Cotter
38.	716-0104	E-Ring
39.	714-0388	Key, Hi-Pro, 3/16 x 5/8

Ref. No.	Part No.	Description
40.	716-0136	Ring, Retaining
41.	717-0302	Plate, Drive
42.	732-0121	Spring, Extension
43.	732-0209	Spring, Extension
44.	710-0627	Screw, Hex Cap, 5/16-24 x .750
45.	736-0158	Washer, Lock, 5/8
46.	710-0654A	Screw, 3/8-16 x 1.00
47.	634-0225A	Wheel Ass'y. - LH
	634-0226A	Wheel Ass'y. - RH
	734-2031	Tire
	734-1124A	Rim Assembly
	734-0255	Valve
	741-0246A	Bearing
48.	711-04615	Pin, Clevis
49.	736-0242	Wsh, Bell., .34 x .872 x .06
50.	736-0300	Wash, .406 x .875 x .059
51.	736-0329	Washer, Lock, 1/4
52.	714-0149B	Pin, Internal Cotter
53.	737-3000	Fitting, Lube, 3/16 Drive
54.	738-0143	Screw, Shldr., .498 x .34
55.	738-0279	Spindle, Drive Plate
56.	738-0924A	Screw, Hex Shldr., 1/4-28
57.	741-0163A	Ass'y, Bearing/Housing
58.	741-04108	Bearing, Hex Flange
59.	741-04025	Bearing, Self Aligning
60.	741-04076	Bearing, Ball
61.	741-0563	Bearing, Ball
62.	741-0748	Bush, Flg., .5 ID x .627 OD
63.	746-0949A	Cable, Steering
64.	746-0951	Cable, Auger Idler
65.	747-0973	Rod, Drive Clutch
66.	750-0903B	Spcr., .514 x .632 x 2.44
67.	750-0997	Spacer, .675 x 1.0 x .23
68.	750-1302B	Spcr, .6725 x 1.125 x 2.48
69.	756-0344	Pulley, Drive
70.	756-0625	Roller, Cable
71.	790-00257	Cover, Upper Frame
72.	790-00259	Cover, Lower Frame
73.	711-04606	Axle, Wheel, 45"
74.	790-00255A	Frame, Transmission
75.	784-0406A	Bracket, Frame Support

Continued on following page

Snow Thrower Drive System *(Continued)*

Ref. No.	Part No.	Description
76.	784-0407	Bracket, Axle Support
77.	710-0809	Screw, 1/4-20 x 1.25
78.	710-1044	Hex Hd. Screw, 3/8-24 x 1.50 GR8
79.	714-0118	Key, Square, 1/4 x 1.5
80.	726-04012	Nut, Push
81.	731-2531	Cover, Belt
82.	732-04308A	Torsion Spring, .850 dia. x .333 lg.
83.	736-0119	Washer, Lock, 5/16
84.	736-0247	Washer, Flat, .406 x 1.25
85.	736-3092	Washer, Flat, .265 x 1.0 x .030
86.	748-0234	Spacer, Shoulder
87.	748-04112B	Shoulder Spacer, .3175 x .500 x .0975
88.	750-04020	Spacer, 1.004 x 1.375 x .25
89.	750-04571	Shoulder Spacer, .260 x .785 x .538
90.	750-04821	Shoulder Spacer, .340 x 1.00
91.	754-0367	V-Belt, 3/8 x 34.4
92.	754-04131	V Belt, 1/2 x 42
93.	756-0178	Pulley, Flat Idler, 2.75 OD
94.	756-0241B	Double Pulley, 3.25 x 2.75
95.	784-0385B	Bracket, Auger Idler
96.	790-00167A	Belt Keeper Bracket
97.	790-00208C	Idler Drive Wheel Bracket
98.	790-00254A	Belt Cover Bracket
99.	GW-1166-1	Washer, Flat, 1.015 x 1.375 x .062
100.	726-0221	Speed Nut, .500



Ref. No.	Part No.	Description
1.	777D12644	Troybilt Rear Handle Panel Label
2.	777D10488	Troybilt Front Handle Panel Label
3.	777I22553	Handle Panel Chute Op. Label
4.	777I22554	Handle Panel Speed Selector Label
5.	777I23050	Handle Panel Drive Control Label

Ref. No.	Part No.	Description
6.	777I22363	Drive/Auger Lock Handle Label
7.	777S32636	Auger Housing Danger Label
8.	777S32280	Chute Danger Label
9.	777D12642	Troybilt Auger Housing Label
10.	777D12643	Model Housing Label