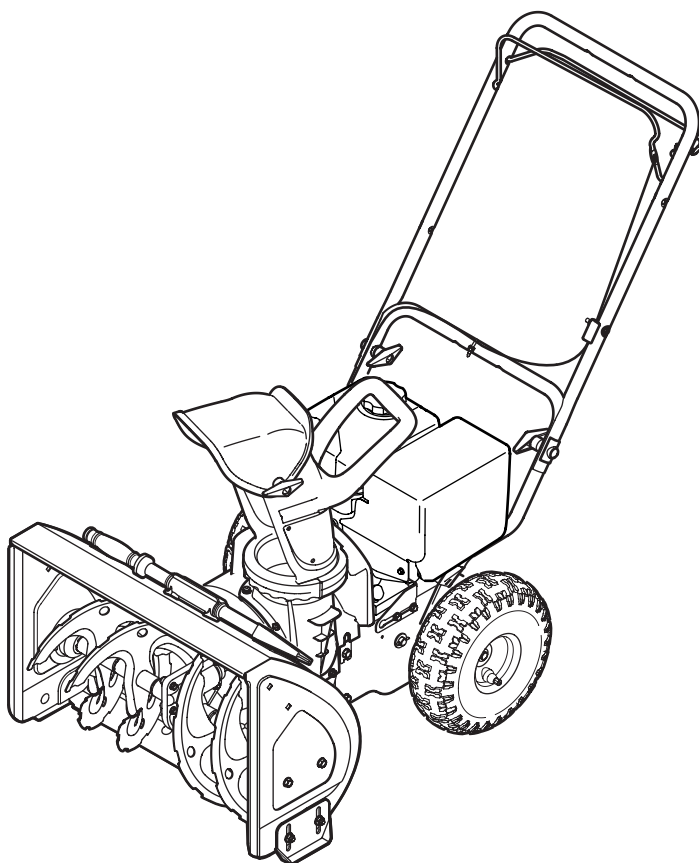
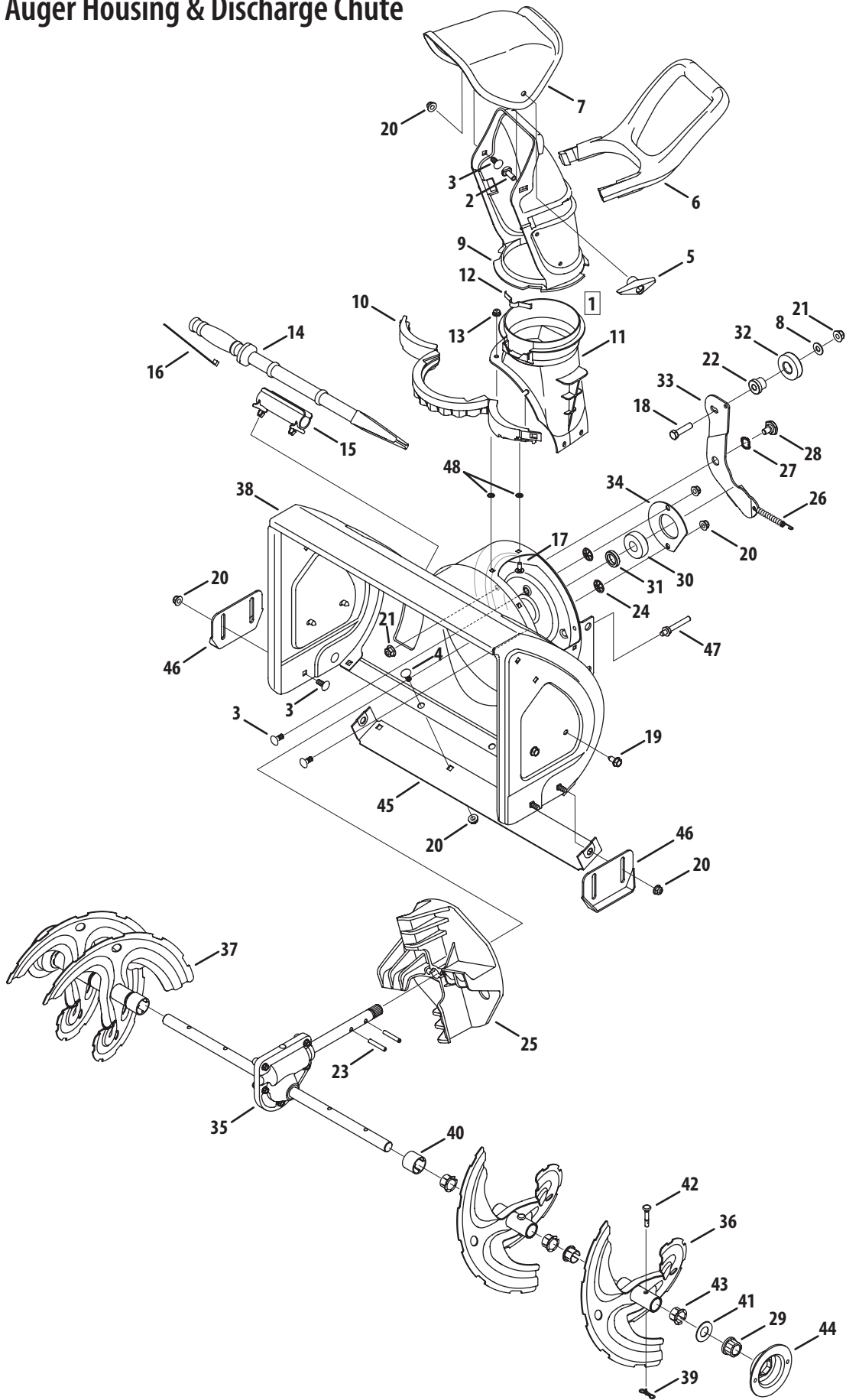

ILLUSTRATED PARTS MANUAL



Two-Stage Snow Thrower — 300 Series

MTD LLC, P.O. BOX 361131 CLEVELAND, OHIO 44136-0019

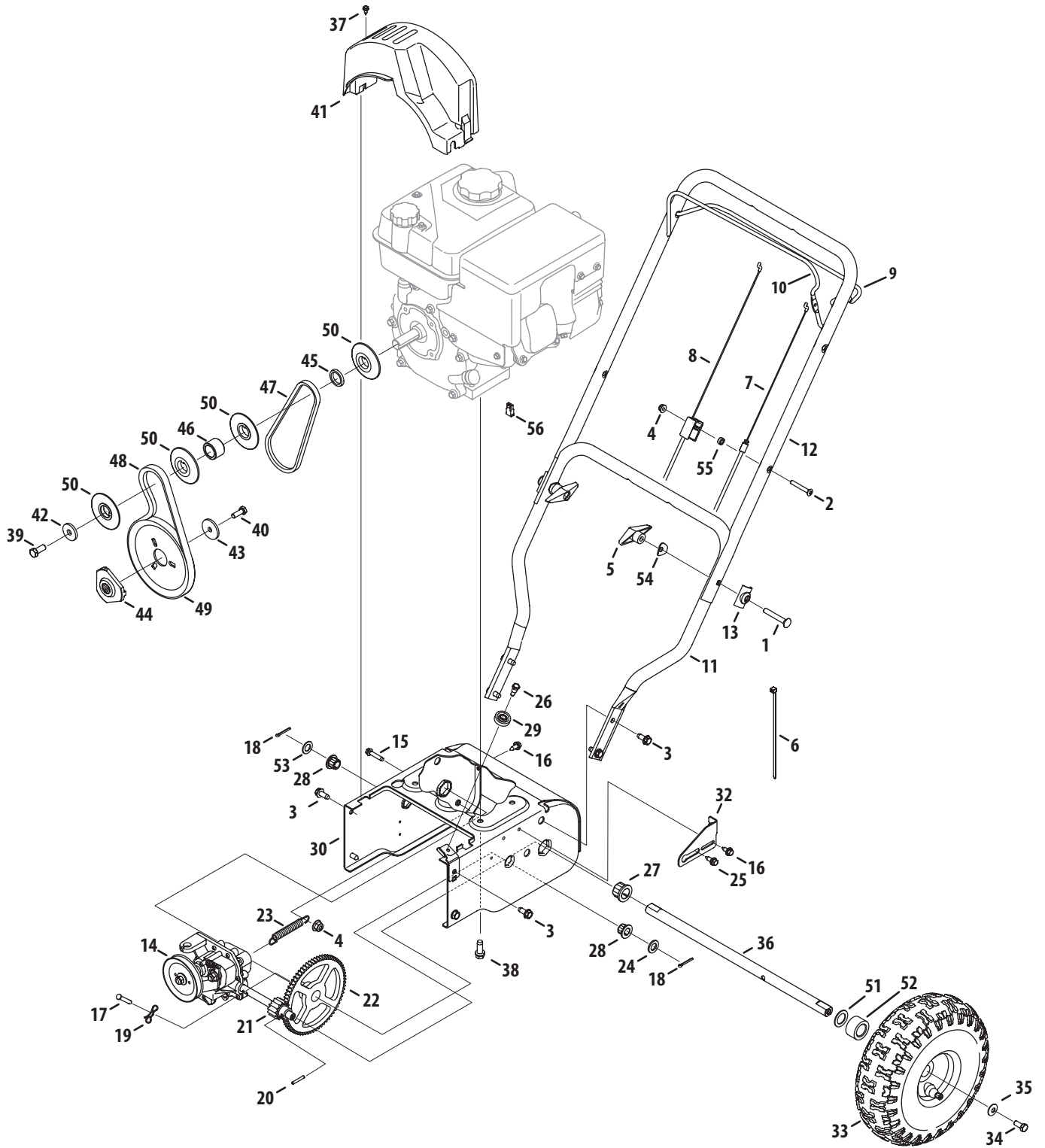
Augers, Auger Housing & Discharge Chute



Augers, Auger Housing & Discharge Chute

Ref.	Part Number	Description	Ref.	Part Number	Description
1	684-04037	Chute Assembly	25	731-04218B	Impeller
2	710-04071	Carriage Bolt 5/16-18 x 1.0"	26	732-0611	Extension Spring
3	710-0451	Carriage Bolt 5/16-18	27	736-0174	Wave Washer
4	710-0260A	Carriage Bolt 5/16-18 x .62	28	738-0281	Shoulder Screw 3/8-16
5	720-0284	Wing Knob 5/16-18 Black	29	741-0245	Hex Flange Bearing
	720-04032	Wing Knob 5/16-18 Yellow	30	741-0309	Ball Bearing
6	731-04388A	Chute Handle	31	750-04191	Spacer
7	731-04426A	Upper Chute	32	741-0919	Flat Idler
8	736-0267	Flat Washer .385 x .87 x .06	33	784-0434	Auger Idler Bracket
9	731-04127	Lower Chute	34	790-00075	Bearing Housing
10	731-04353	Chute Ring	35	618-04292A	Auger Gearbox Assembly
11	731-2636A	Chute Adapter 5" Dia.	36	684-04113A	Auger Assembly - LH
12	732-04111	Chute Adjustment Spring	37	684-04114A	Auger Assembly - RH
13	712-04064	Flange Lock Nut 1/4-20	38	684-04166A	Auger Housing, 22"
14	731-2643	Clean-out Tool	39	714-04040	Bow Tie Cotter Pin 72
15	731-2635	Clean-out Tool Mount	40	731-04870	Spacer, 1.25 x .75 x 1.00
16	725-0157	Cable Tie	41	736-0351	Flat Washer
17	710-0134	Carriage Screw 1/4-20 x 0.62"	42	738-04124A	Shear Pin, .25 x 1.50
18	710-0520	Hex Bolt 3/8-16 x 1.50"	43	741-0493A	Flange Bushing
19	710-04484	AB Screw 5/16-18 x .750	44	790-00087A	Hex Bearing Housing
20	712-04063	Flange Lock Nut, 5/16-18	45	790-00117	Shave Plate 2.25 x 21.66 LG
21	712-04065	Flange Lock Nut, 3/8-16	46	784-5580	Skid Shoe
22	750-04852	Shoulder Spacer	47	710-04606	Belt Keeper
23	715-04020	Spiral Pin	48	726-0233	Push Nut
24	726-04012	Push On Nut			

Handle, Frame & Drive System



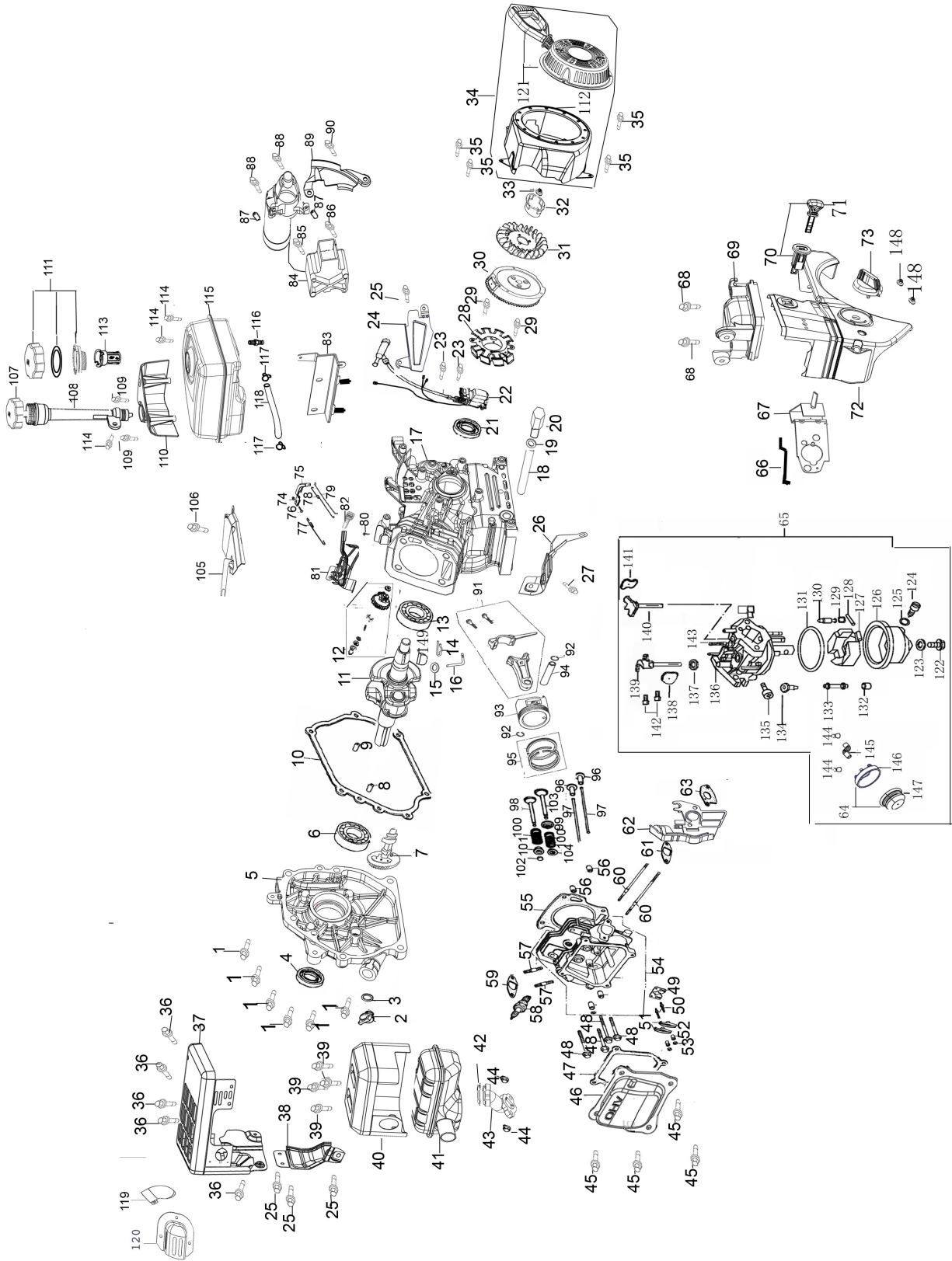
Handle, Frame & Drive System

Ref.	Part No.	Description
1	710-0449	Carriage Screw 5/16-18 x 2.25
2	710-0605	Mach. Screw 1/4-20 x 1.825
3	710-04484	Screw 5/16-18 x .75
4	712-04064	Flange Lock Nut 1/4-20
5	720-0284	Wing Knob 5/16-18
6	725-0157	Cable Tie
7	746-04256	Drive Cable
8	746-04236	Auger Cable
9	747-1161A	Auger Control
10	747-1214	Drive Control
11	749-04147	Lower Handle
12	749-04459	Upper Handle
13	790-00053	Handle Tab
14	618-04296A	Transmission Assembly
15	710-0809	TT Screw 1/4-20 x 1.25
16	710-1652	Screw 1/4-20 x .625
17	711-1364	Clevis Pin
18	714-0115	Cotter Pin 1/8 x 1.0
19	714-04040	Bow Tie Cotter Pin 72
20	715-0249	Roll Pin
21	717-04066A	Pinion 14T
22	717-04073A	Gear 70T
23	732-0429A	Extension Spring
24	736-0192	Flat Washer
25	738-04184A	Shoulder Screw 1/4-20
26	738-0924A	Shoulder Screw 1/4-28
27	741-0245	Hex Flange Bearing
28	741-04108	Hex Flange Bearing

Ref.	Part No.	Description
29	756-0625	Cable Roller
30	784-0419C	Drive Housing Frame
31	790-00223A	Auger Cable Bracket
32	790-00224	Auger Cable Adj. Bracket
33	634-04282A	Wheel Assy. Snow Hog Gray
34	710-0627	Lock Bolt 5/16-24 x .75
35	736-0242	Bell Washer .34 x .872 x .06
36	738-04321	Axle
37	710-0224	Hex Screw #10-16 x .500
38	710-0654A	TT Sems. Screw 3/8-16 x 1.0
39	710-0696	Hex Bolt 3/8-24 x .875
40	710-1245B	Lock Bolt 5/16-24 x .875
41	731-04162A	Belt Cover
42	736-0247	Flat Washer .406 ID x 1.25 OD
43	736-0505	Flat Washer .34 ID x 1.50 OD
44	748-04067A	Pulley: Adapter .75 Dia.
45	750-1355	Spacer .876 x 1.25 x .19
46	750-1356	Spacer .876 x 1.25 x .86
47	754-04013	V-belt 3/8 x 21.108 Lg.
48	754-04014	V-belt 3/8 x 26.680 Lg.
49	756-04024	Auger Pulley
50	756-0569	Pulley Half
51	736-0287	Flat Washer .793 x 1.24 x .06
52	731-05672A	Spacer
53	736-0160	Flat Washer .53 x .93 x .05
54	736-0451	Saddle Washer
55	750-04913	Spacer
56	729-04035*	Engine Accessory Cap

*365 SUA Engines with electric start.

179 cc ZS 165 SU/365-SUA Engine



179 cc ZS 165 SU/365-SUA Engine

Part No.	Description	Ref. No.
751-10724	Short Block Assembly	—
	Bolt	1
	Oil Filler Plug	2
	O-ring	3
	Oil seal, 25 × 41.25 × 6	4
	Crankcase cover	5
	Radial Ball Bearing	6
	Camshaft Assembly	7
	Dowel Pin, 9 × 14	8
	Dowel Pin, 7 × 14	9
	Crankcase Cover Gasket	10
	Crankshaft Complete	11
	Governor Kit	12
	Radial Ball Bearing	13
	Pin Lock	14
	O-ring, 5.2 × 1.9	15
	Governor Arm	16
	Crankcase	17
	Oil-Draining Pipe	18
	Washer, 10 × 16 × 1.5	19
	Drain Bolt, 10 × 1.25	20
	Oil Seal, 25 × 41.25 × 6	21
	Cylinder Head Gasket	55
	Dowel Pin, 10 × 16	56
	Gasket Muffler	59
	Insulator Gasket Carburetor	61
	Insulator Carburetor	62
	Connecting Rod Assembly	91
	Piston Pin Clip	92
	Piston	93
	Pin Piston	94

Part No.	Description	Ref. No.
751-10722	Cylinder Head Assembly	—
	Valve Cover Gasket	47
	Plate Push Rod Guide	49
	Pivot Bolt	50
	Rocker Arm	51
	Valve Adjusting Nut	52
	Pivot Locking Nut	53
	Cylinder Head Complete	54
	Cylinder Head Gasket	55
	Gasket Muffler	59
	Exhaust Valve	98
	Valve Seal	99
	Spring Valve	100
	Exhaust Valve Spring Retainer	101
	Exhaust Valve Adjuster	102
	Intake Valve	103
	Internal Valve Spring Retainer	104
751-10723	Gasket Kit - Complete	—
	Crankcase Cover Gasket	10
	O-ring, 5.2 × 1.9	15
	Oil-Draining Pipe	18
	Washer, 10 × 16 × 1.5	19
	Drain Bolt, 10 × 1.25	20
	Oil Seal, 25 × 41.25 × 6	21
	Gasket	42
	Valve Cover Gasket	47
	Cylinder Head Gasket	55
	Gasket Muffler	59
	Carburetor Insulator Gasket	61
	Carburetor Insulator	62
	Carburetor Gasket	63
	Push Rod	97
	Exhaust Valve	98
	Intake Valve	103

179 cc ZS 165 SU/365-SUA Engine

Part No.	Description	Ref. No.	Part No.	Description	Ref. No.
751-10952	Gasket Kit - External	—	751-10911	Starter Cup	32
	Valve Cover Gasket	47	751-10642A	Muffler Shroud	37
	Gasket Muffler	59	751-10643	Muffler Shield	40
	Carburetor Insulator Gasket	61	751-10644	Muffler Complete Exhaust Pipe	41, 43
	Carburetor Insulator	62	751-10666	Gasket	42
	Gasket Carburetor	63	751-10657	Muffler Stud Assembly, 8 × 34	57
751-10974	Carburetor Assembly	65	751-10292	Spark Plug	58
	Fuel Drain Plug	122	751-10640	Choke Push Rod	66
	Fuel Cup Fixed Bolt Packing	123	751-10635	Air Filter Heating Pipe Cover	69
	Fuel Drain Plug	124	751-10637	Key Switch	70
	Fuel Drain Plug Gasket	125	751-10630	Key	71
	Fuel Cup	126	751-10634	Shroud	72
	Float	127	751-10636	Choke Knob	73
	Floating Pin	128	751-10654	Spring Governor	77
	Needle Valve Spring	129	751-10664	Spring Throttle Return	78
	Needle Valve	130	751-10665	Rod Governor	79
	O-ring Packing	131	751-10758	Throttle Control Assembly	81
	Main Jet	132	751-10757	Throttle Control Knob	82
	Main Nozzle	133	751-10645A*	Electric Starter, 110v	84
	Idle Jet Assembly	134	751-10648	Push Rod Kit	97
	Idle Speed Adjusting Screw	135	751-10647	Valve Kit	98, 103
	Carburetor Body	136	751-10655	Dipstick	107
	Fiber Seal	137	751-10656	Dipstick Base	108
	Choke Plate	138	751-10662	Dipstick Decoration Cover	110
	Throttle Shaft	139	751-10649	Fuel Tank Cap	111
	Choke Plate	140	751-10663A	Blower Housing	112
	Choke Shaft	141	751-10652	Fuel Filter	113
	Cross Screw	142	751-10653A	Fuel Tank	115
	Position Spring	143	751-10651	Nipple Fuel Tank	116
	Clip	144	751-10650	Fuel Line Kit	117, 118
	Fuel Hose	145	751-10658	Recoil Starter Assembly	121
	Primer Base	146		Starter Handle	—
	Primer Bulb	147	751-10639	Primer	147
751-10641	Oil Drain Assembly	18,	751-10307	Woodruff Key	149
		19,	952Z165-SU	Complete 165-SU Engine	—
751-10646*	Ignition Module	22	952Z365-SUA	Complete 365-SUA Engine	—
751-10719*	Stator	28			
751-10805	Flywheel	30			
751-10909	Cooling Fan	31			

*365 SUA Engines with electric start.