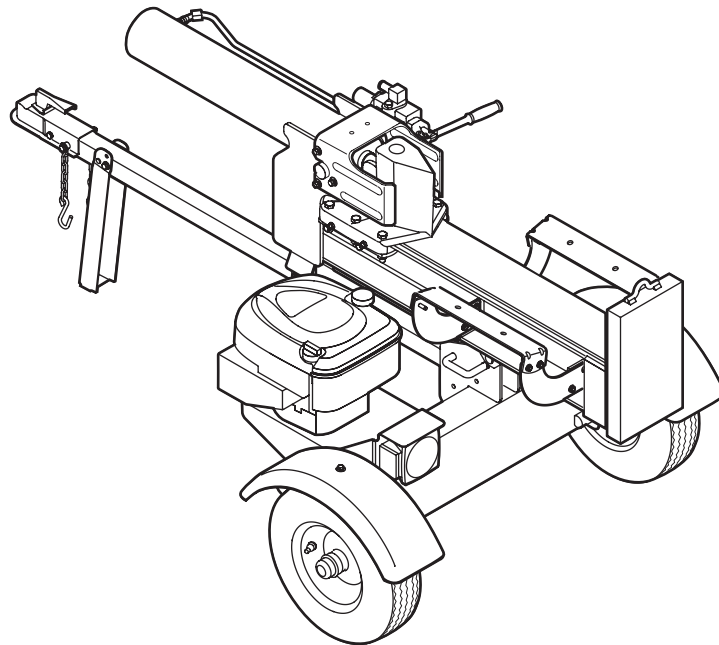


OPERATOR'S MANUAL

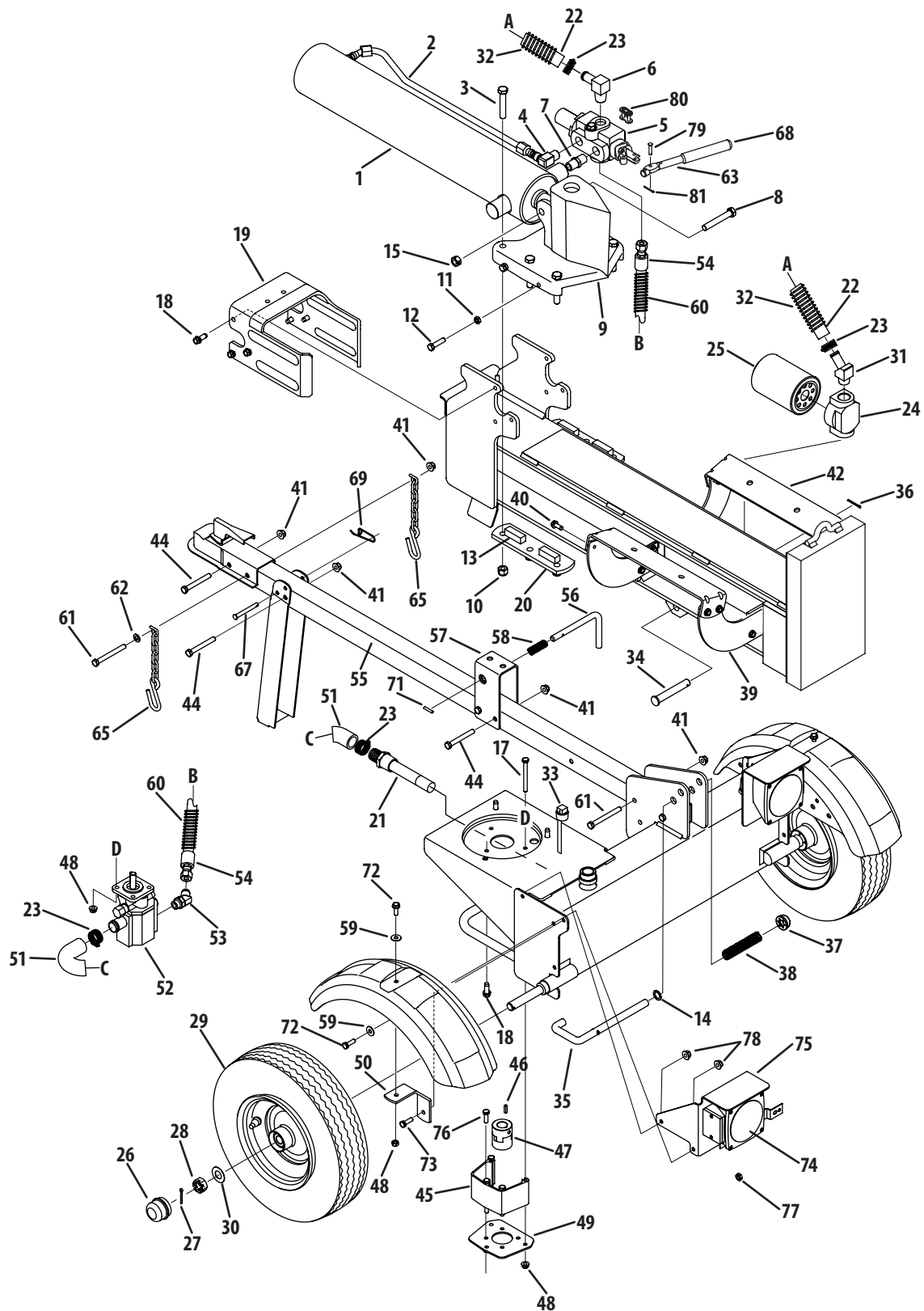


Log Splitter — Model Series 510 thru 570

⚠ WARNING

**READ AND FOLLOW ALL SAFETY RULES AND INSTRUCTIONS IN THIS MANUAL
BEFORE ATTEMPTING TO OPERATE THIS MACHINE.
FAILURE TO COMPLY WITH THESE INSTRUCTIONS MAY RESULT IN PERSONAL INJURY.**

MTD LLC, P.O. BOX 361131 CLEVELAND, OHIO 44136-0019



Ref.	Part Number	Description
1.	718-0769A	Hydraulic Cylinder
2.	727-04166	Hydraulic Tube
3.	710-1018	Hex Cap Screw, 1/2-20 x 2.75
4.	737-0192	90 Degree Solid Adapter
5.	718-0481A	Control Valve — 570 Series
—	718-04533	Control Valve — 550 Series
6.	737-0153	Return Elbow
7.	737-0238	Nipple Pipe, 1/2-14
8.	710-1806	Hex Cap Screw, 1/2-13 x 3.25
9.	719-0550A	Wedge Assembly
10.	712-3058	Hex Lock Nut, 1/2-20
11.	712-0711	Hex Jam Nut, 3/8-24
12.	710-0459A	Hex Cap Screw, 3/8-24 x 1.5
13.	781-0351	Adjustable Gib
14.	736-0116	Flat Washer, .635 x.93 x.06
15.	712-3022	Hex Lock Nut, 1/2-13
16.	681-04071A	Beam Assembly
17.	710-3056	Hex Screw, 5/16-18 x 3.25
18.	710-0654A	Hex Washer Screw, 3/8-16 x 1.0
19.	781-1048A	Dislodger Bracket
20.	781-0790	Back Plate
21.	737-04093	Inlet Filter
22.	727-0443	Return Hose, 3/4" ID x 44" Lg.
23.	726-0132	Hose Clamp, 5/8"
24.	737-0316	Filter Housing
25.	723-0405	Oil Filter
26.	734-0873	Hub Cap
27.	714-0162	Cotter Pin
28.	712-0359	Slotted Nut, 3/4-16
29.	634-0186	Wheel Assembly
30.	736-0351	Flat Washer, .760 ID x.500 OD
31.	737-0312	Adapter, 3/4-14
32.	781-0526A	Hose Guard
33.	737-0348A	Vented Dipstick
34.	711-1587	Clevis Pin
35.	781-0690	Lock Rod
36.	714-0470	Cotter Pin
37.	726-0214	Push Cap
38.	732-0583	Compression Spring
39.	781-04180	Log Tray Bracket
40.	710-04484	Hex Washer Screw, 5/16-18 x .750
41.	712-04065	Flange Lock Nut, 3/8-16
42.	781-04179	Log Tray

Ref.	Part Number	Description
43.	681-04040A	Frame Assembly
44.	710-0521	Hex Bolt, 3/8-16 x 3"
45.	719-0353	Coupling Shield
46.	714-0122	Square Key, 3/16" x.75
47.	718-04392	Coupling, .500
—	718-04393	Coupling, 1.00
—	735-04103	Spider Bushing
—	710-1842	Set Screws
48.	712-04063	Flange Lock Nut, 5/16-18
49.	781-0097	Rear Coupling Support Bracket
50.	781-1024	Fender Mounting Bracket
51.	727-04130	Hose
52.	718-04127	Gear Pump
53.	737-0329	45 Degree Elbow Fitting
54.	727-0502	High Pressure Hydraulic Hose
55.	781-0788	Tongue Assembly
56.	747-1261	Latch Rod
57.	781-1045	Latch
58.	732-3127	Compression Spring
59.	736-0371	Flat Washer
60.	781-0538A	Hose Guard
61.	710-3085	Hex Cap Screw, 3/8-16 x 3.50
62.	736-0185	Flat Washer, .375 x.738 x.063
63.	747-04539	Hydraulic Valve Control
64.	681-04030	Hitch Coupling Assembly
65.	713-0433A	Chain
66.	731-2496A	Fender
67.	711-0813	Clevis Pin
68.	720-04088	Grip
69.	732-0194	Spring Pin
70.	781-0789	Jack Stand
71.	715-0120	Spiral Pin
72.	710-0650	TT Screw, 5/16-18 x 0.875"
73.	710-0602	TT Screw, 5/16-18 x 1.00
74.	625-0062	Light Kit (A)
75.	681-0164	Light Bracket — LH (A)
—	781-1027A	Light Bracket — RH (A)
76.	710-0376	Hex Screw, 5/16-18 x 1.00
77.	712-3008	Jam Nut, 3/8-16 (A)
78.	726-0201	Speed Nut, .3125 ID (A)
79.	711-04585	Clevis Pin
80.	713-04036	Valve Handle Link
81.	714-0111	Cotter Pin

A — Equipped on 570 Model