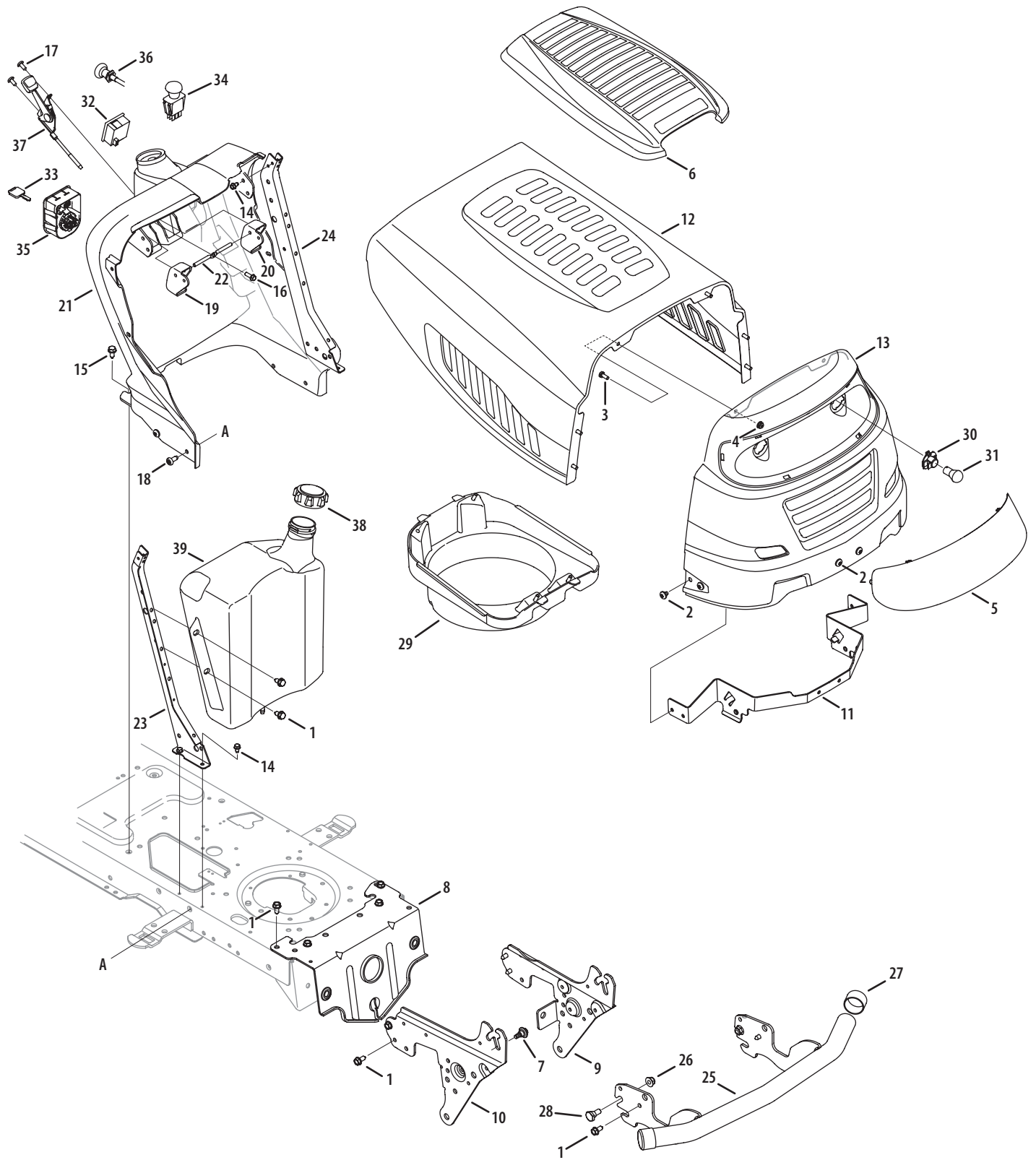


Hood, Grille, Dash & Bumper



Hood, Grille, Dash & Bumper

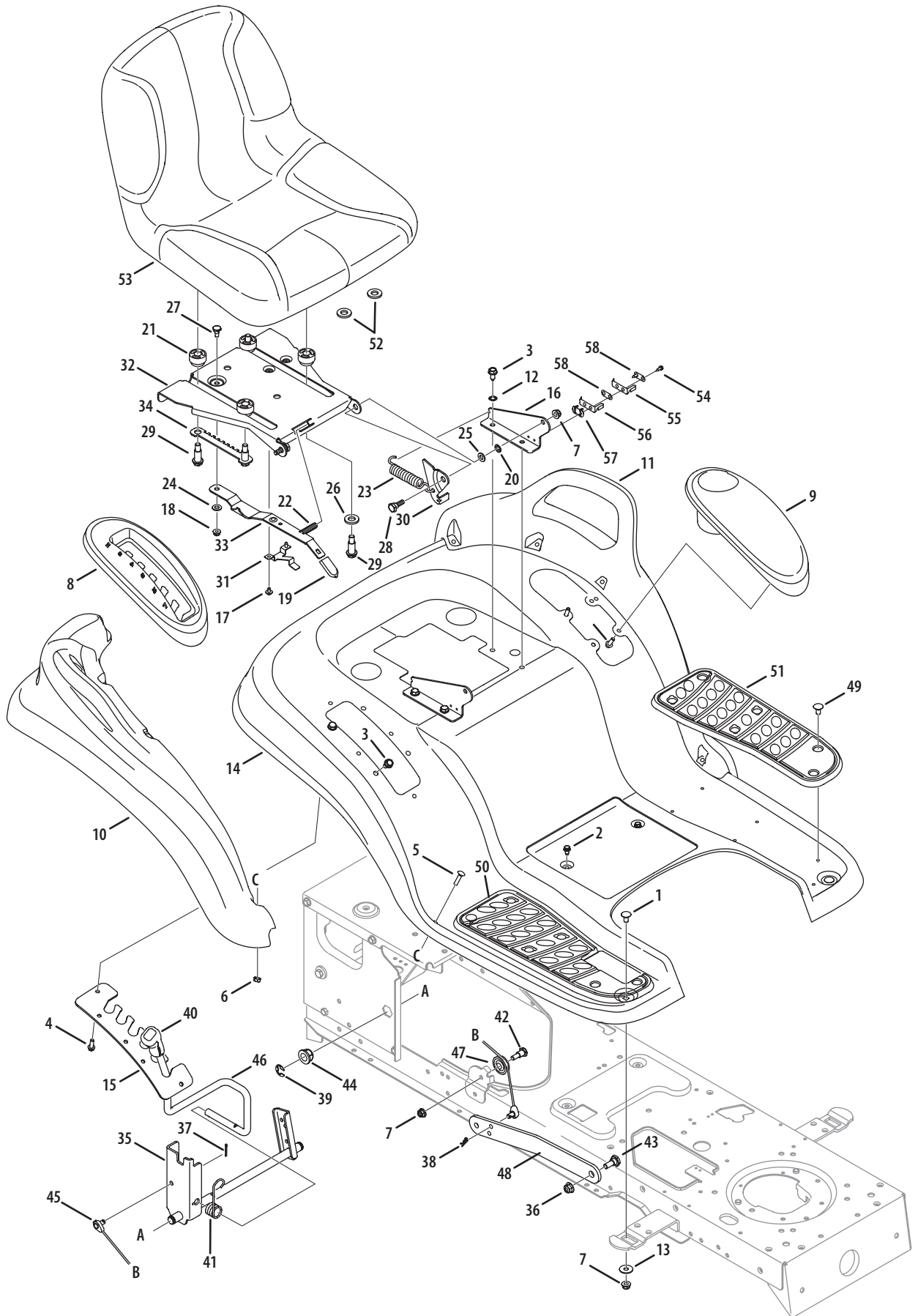
Ref.	Part Number	Description
1	710-04484	Screw, 5/16-18 x .750
2	710-04593	Screw, 5/16-18 x .375
3	710-0751	Hex Cap Screw, 1/4-20 x.62
4	712-04064	Flange Lock Nut, 1/4-20
5	731-04949A	Headlight Lens
6	731-05522A	Hood Cover, 5 Style
7	738-04091A	Shoulder Screw,.43 x.29
8	783-05326	Pivot Bar Bracket
9	783-05417	Pivot Support Bracket LH
10	783-05418	Pivot Support Bracket RH
11	783-05454	Hood Pivot Bracket
12	783-05683	5-Style Hood
13	783-05685	1-Style Grille
14	710-0599	Self-tapping Screw, 1/4-20 x.5
15	710-0607	Screw, 5/16-18 x .500
16	710-0895	Self-tapping Screw, 1/4-15 x.75
17	710-1017	Screw, 1/4-14 x.625
18	710-1611B	Screw, 5/16-18 x.75
19	731-04215	Cruise Control Button
20	731-04217	Parking Brake Button
21	731-06169	Dash Panel
22	747-1196	Brake/Cruise Pivot Rod

Ref.	Part Number	Description
23	783-04285F	RH Dash Support Plate
24	783-04323F	LH Dash Support Plate
25	683-04219A	Bumper Assembly
26	712-04065	Flange Lock Nut, 3/8-16
27	731-05674	Cap
28	738-0143	Shoulder Bolt, 3/8-16
29	731-05165A	Plenum
30	725-1649	Headlight Socket
31	725-0963	Lamp
32	725-04036C	Systems Ind. Monitor w/Hr. Mtr.
33	725-1745A	Ignition Key w/ plastic cover
	725-1744A	Ignition Key w/o plastic cover
34	725-1752	Electric PTO Switch
35	725-04227B	Ignition Switch
36	746-1085A	Choke Control Cable
37	746-04417	Throttle Control/Cable
38	751-0603	Fuel Cap
39	751-0658E	Fuel Tank, Three Gallon
—	629-04083B*	Headlight Wire Harness
—	725-04404A*	Wire Harness (w/Hr. Mtr & Elec. PTO)
—	777X41984	Headlight Reflective Insert

* Not Shown

NOTE: Tractor features vary by model. NOT all parts listed above and pictured on the previous page are standard equipment.

Seat, Fender & Deck Lift

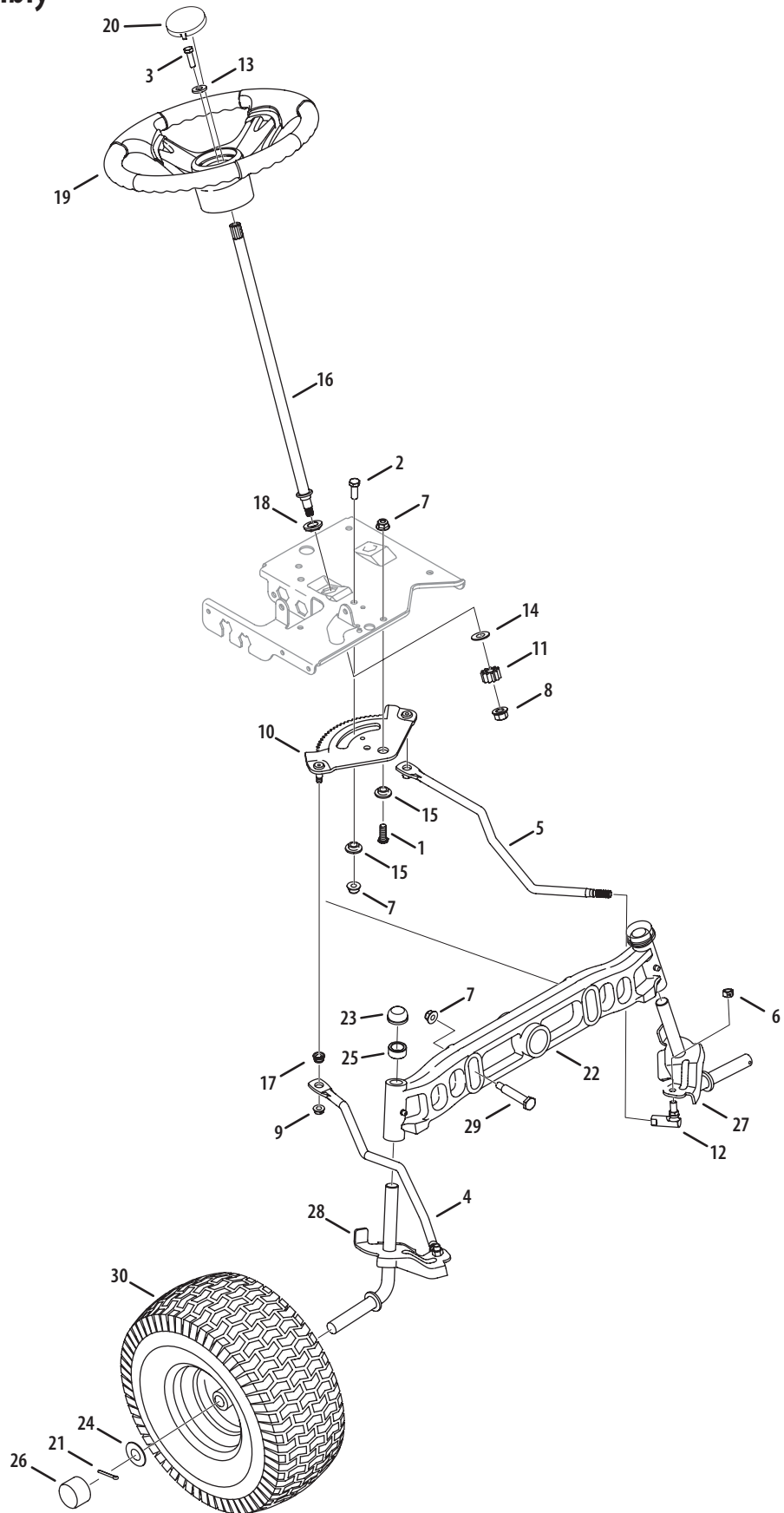


Seat, Fender & Deck Lift

Ref.	Part Number	Description	Ref.	Part Number	Description
1	710-0451	Carriage Bolt, 5/16-18 x.750	30	783-0209D	Seat Lift Bracket
2	710-0599	Screw, 1/4-20 x.500	31	783-0611	Seat Stop
3	710-04484	Screw, 5/16-18 x .750	32	783-0738D	Seat Pivot Bracket
4	710-0895	Self-tapping Screw, 1/4-15 x.75	33	783-0739A	Seat Adjustment Lever
5	710-0932	Carriage Screw 1/4-20 x 1.00	34	783-0753	Seat Adjustment Selector
6	712-0271	Sems Nut 1/4-20	35	683-04301	Lift Shaft Assembly
7	712-04063	Flange Lock Nut, 5/16-18	36	712-04065	Flange Lock Nut, 3/8-16
8	731-1990	Lift Lever Cover	37	714-0104	Hairpin Clip
9	731-1993A	Cover w/ Cup Holder	38	714-0111	Cotter Pin
10	731-2618	RH Fender Flare	39	716-0106A	E-Ring
11	731-2619	LH Fender Flare	40	720-0311	Handle Grip
12	736-0607	Lock Washer, 5/16	41	732-0874	Torsion Spring
13	736-3078	Flat Washer,.349 x 1.0 x.063	42	738-0138A	Hex Cap Screw, 5/16-18 x.62
14	783-04459A	Fender 4 Sty Hydro w/ Flares	43	738-0380	Shoulder Screw, 3/8-16
15	783-0677B	Lift Adjustment Bracket	44	741-0225	Hex Flange Bearing
16	783-1489C	Seat Mounting Bracket	45	746-0968	Lift Cable, 16.16
17	710-1268	Screw, #10-16 x.375	46	747-04447	Lift Handle
18	712-04064	Flange Lock Nut, 1/4-20	47	756-1154	Roller Pulley
19	720-0309A	Seat Adjuster Grip	48	783-05546	Arm Lift
20	726-0201	Speed Clip	49	726-3046	Foot Pad Clips
21	731-04074	Spacer	50	735-0656	RH Foot Pad
22	732-0499	Compression Spring,.41 x 1.5	51	735-0657	LH Foot Pad
23	732-1184	Extension Spring,.84 x 4.6	52	736-0300	Flat Washer, .406 x .875 x .059
24	736-0204	Washer, Flat, .344 x .62 x .033	53	757-04003A	High Back Seat, Black
25	736-0242	Flat Washer	54	710-0227	Screw, #8-18 x.500
26	736-3019	Flat Washer,.31 x 1.062 x.134	55	725-1303	Outer Seat Spring Switch
27	738-0137A	Shoulder Screw,.340 x.285,1/4-20	56	725-1439	Inner Seat Spring Switch
28	738-0296	Shoulder Screw,.437 x.286	57	726-0278	Insulator Boss Plate
29	738-0966A	Shoulder Screw,.50 x.50, 3/8-16	58	726-0279	Insulator Plate

NOTE: Tractor features vary by model. NOT all parts listed above and pictured on the previous page are standard equipment.

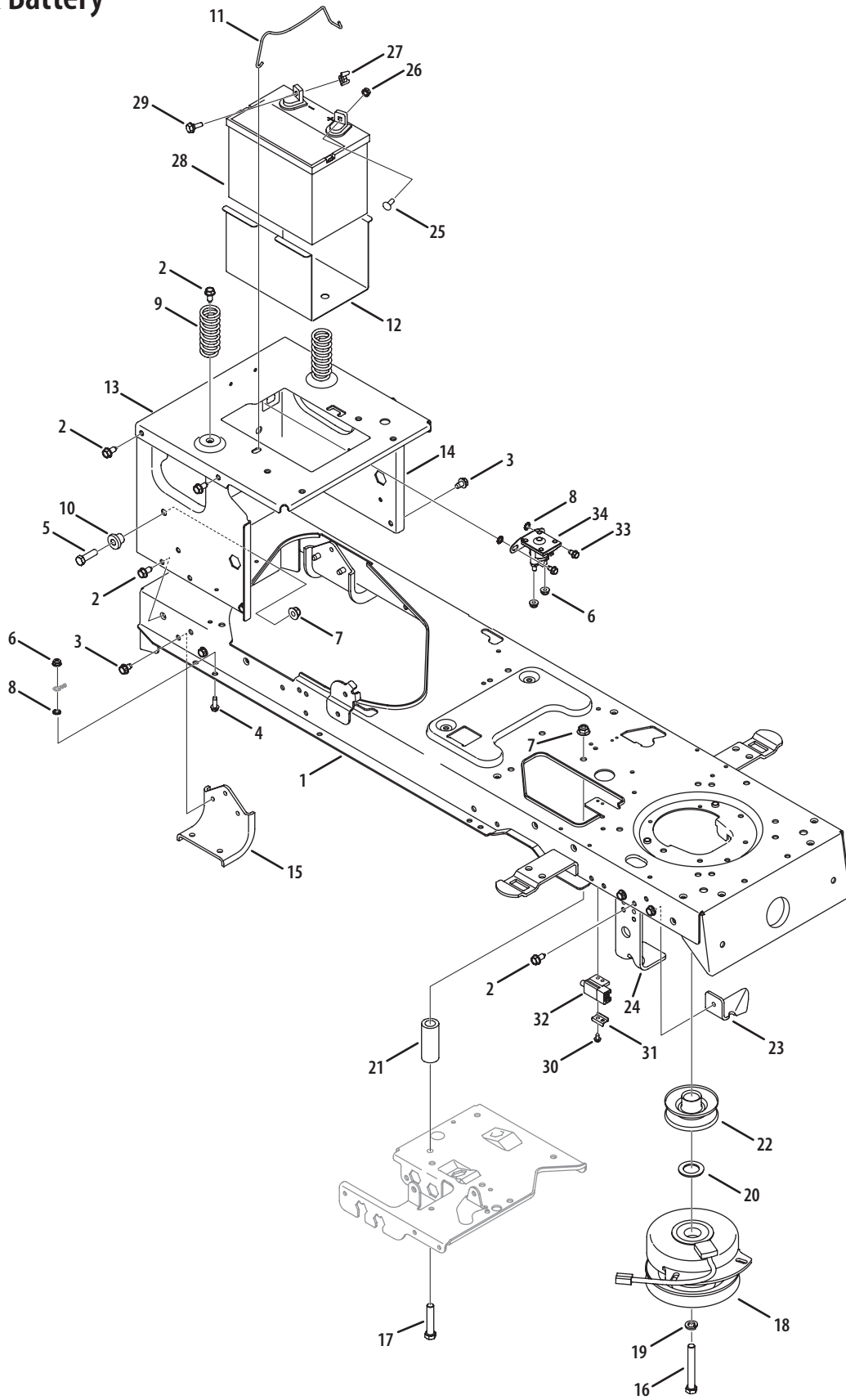
Steering Assembly



Ref.	Part Number	Description
1	710-04095	Hex Screw, 3/8-16, 1.00, Gr5
2	710-0514	Hex Screw, 3/8-16, 1.00, Gr5
3	710-0643	Hex Screw, 5/16-18, 1.00, Gr5
4	711-1408	Link, Drag, RH
5	711-1409A	Link, Drag, LH
6	712-0214	Nut, Hex Lock, 3/8-24
7	712-04065	Nut, Flange Lock, 3/8-16
8	712-0459	Nut, Flange Lock, 7/16-20
9	712-3004A	Nut, Flange Lock, 5/16-18, Gr5
10	717-1550E	Gear, Steering, 11/90 Ratio
11	717-1554	Gear, Pinion, Steering
12	723-0448A	Ball Joint, 7/16-20, Lock
13	736-3004	Washer, Flat,.406 x.875 x.105
14	736-3084	Washer, Flat,.51 x 1.12 x.06
15	738-04154	Spacer, Shoulder,.38 x 1.00 x.31
16	738-04263	Shaft, Steering, .625 OD x 24.25
17	741-0475	Plastic Bushing.380 ID
18	741-04237	Hex Flange Bearing 5/8 PM
19	631-04028	Steering Wheel
20	731-04040	Steering Wheel Cap
21	714-0162	Cotter Pin, 5/32 x 1.25
22	719-04177A	Cast Iron Pivot Bar
23	726-0341	Push Cap
24	736-04228A	Flat Washer, .781 x 1.589
25	748-04068	Spacer, .71 x .125 x .56
26	731-05674	Cap
27	638-04003A	LH Axle Assembly,.750
28	638-04004A	RH Axle Assembly,.750
29	738-04128	Screw, Shldr, .500 x 2.38, 3/8-16
30	634-04088A	Wheel Assembly Complete,
	734-04148	Tire Only 16 x 7.5 x 8
	634-04082	Rim Only w/ Valve Stem
	710-1260A	Screw, 5/16-18, 0.750

NOTE: Tractor features vary by model. NOT all parts listed above and pictured on the previous page are standard equipment.

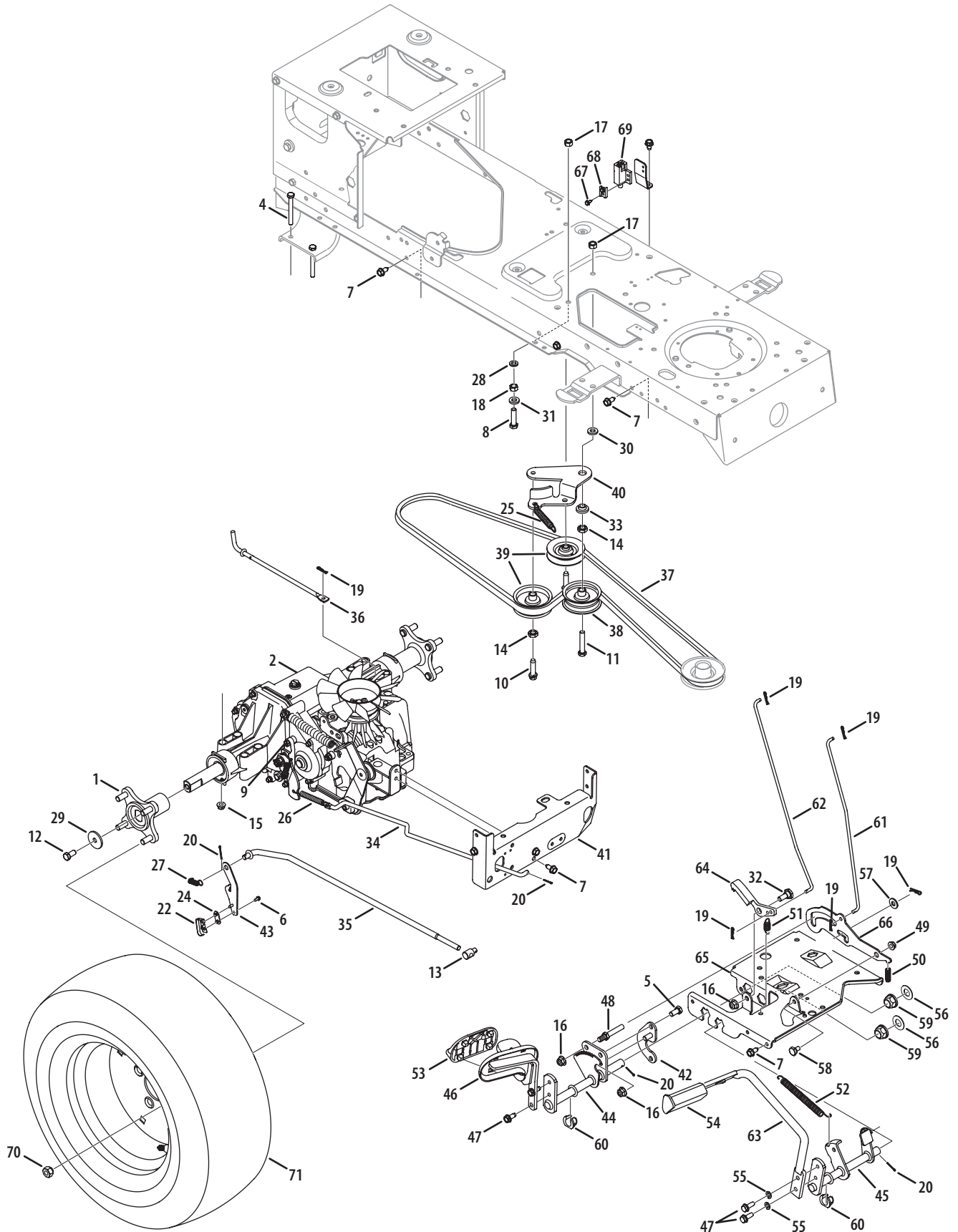
Frame & Battery



Ref.	Part Number	Description
1	683-04173B	Frame Assembly, Lower
2	710-04484	Screw, 5/16-18 x 0.75
3	710-0607	Screw, 5/16-18, 0.500
4	710-0642	Screw, 1/4-20, 0.750
5	710-3005	Screw, 3/8-16, 1.25, Gr5
6	712-04064	Nut, Flange Lock, 1/4-20
7	712-04065	Nut, Flange Lock, 3/8-16
8	736-0222	Washer, Lock, 1/4, External
9	732-04035	Spring, Compress., 1.28 x 3.125
10	738-04058	Spacer, Shoulder,.38 x 1.0 x.70
11	747-04121A	Hold Rod, Battery
12	783-0349	Battery Tray
13	783-04329A	Seat Bracket, Frame
14	783-04811C	Frame, Upper
15	783-0693	Axle Bracket
16	710-04379A	Screw, 7/16-20, 3.50, Gr5, Lock
17	710-3011	Screw, 3/8-16, 2.25, Gr5
18	717-1774C	PTO Clutch, Electric
19	736-0171	Lock Washer, 7/16
20	736-0277	Washer, Flat, 1.031 x 1.620 x.095
21	748-0415B	Spacer,.385 ID x.635 OD x 1.54
22	756-0978B	Pulley, Engine, 3.56 Diameter
23	783-04419B	Clutch Bracket
24	783-04467	Deck Bracket, Up-Stop
25	710-04666	Hex Flange Bolt, 1/4-20,.75
26	712-0271	Nut, Sems, 1/4-20
27	712-3087	Nut, Wing, 1/4-20
28	725-1750A	Battery, 235 CCA
29	738-1132	Screw, Shoulder,.250 x.15, 1/4-20
30	710-0224	AB Screw, #10-16 x.500
31	17962	Switch Plate
32	725-04039	Switch
33	710-0599	Screw, 1/4-20, 0.50
34	725-04439	Solenoid, 12V, 100 Amp

NOTE: Tractor features vary by model. NOT all parts listed above and pictured on the previous page are standard equipment.

Drive System

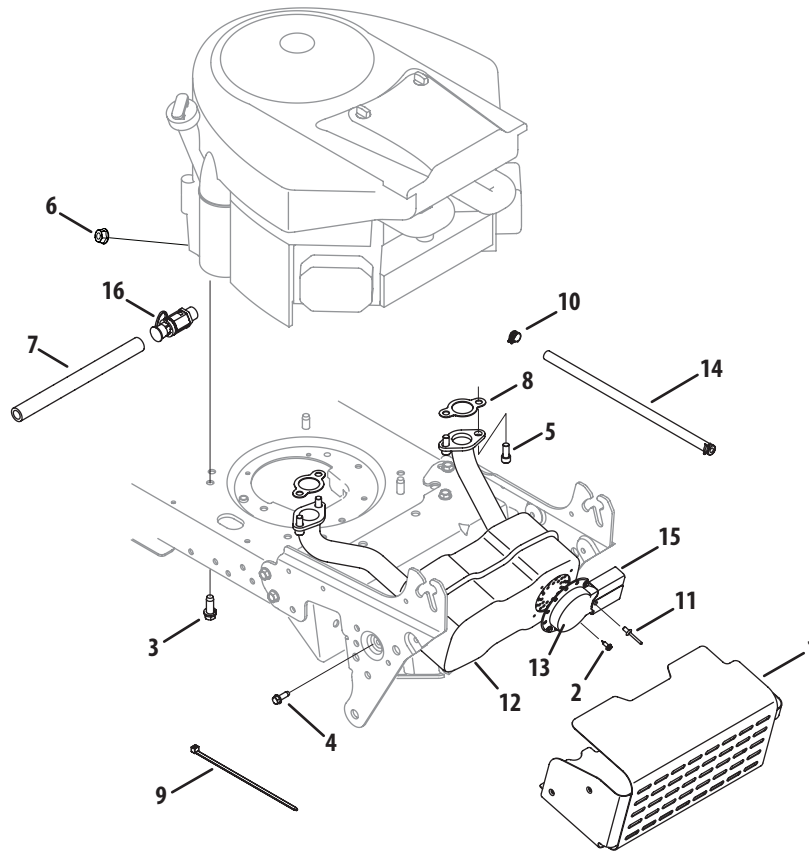


Ref.	Part Number	Description	Ref.	Part Number	Description
1	618-04317	Wheel Hub Assembly	38	756-04224	Flat Idler Pulley, 2.75
2	618-04329	Hydrostatic Transmission Assmblly	39	756-04325	V-idler Pulley, 3.06
3	629-0949B*	Revse./Grnd. Wire Harness Adptr.	40	783-04442	Double Idler Bracket
4	710-0176	Hex Cap Screw, 5/16-18 x 2.75	41	783-0667B	Transmission Torque Bracket
5	710-0216	Hex Cap Screw, 3/8-16 x.75	42	783-0745	Speed Control Bracket
6	710-0227	Screw, #8-18 x.5	43	783-0782	Switch Actuator Bracket
7	710-04484	Self-tapping Screw, 5/16-18 x.750	44	647-0049A	Drive Control Assembly
8	710-0520	Hex Cap Screw, 3/8-16 x 1.5	45	647-04100	Brake Control Assembly
9	710-0599	Self-tapping Screw, 1/4-20 x.50	46	683-0267C	Hydro Pedal Assembly
10	710-1007	Hex Cap Screw, 3/8-16 x 1.5	47	710-1260A	Self-tapping Screw, 5/16-18 x.75
11	710-3011	Hex Cap Screw, 3/8-16 x 2.25	48	711-04159B	Pin, 3/8-16 x 2.43
12	710-3119	Screw, 3/8-16 x.750	49	712-3004A	Flange Lock Nut, 5/16-18
13	711-0832	Ferrule, 3/8-24	50	732-0335	Compression Spring,.40 OD x 1.17
14	712-0240	Jam Nut, 7/16-20	51	732-0955	Extension Spring,.50 OD x 1.41
15	712-04063	Flange Lock Nut, 5/16-18	52	732-0963	Extension Spring,.50 OD x 6.37
16	712-04065	Flange Lock Nut 3/8-16	53	735-0662	Drive Pedal Pad
17	712-0431	Hex Nut, 3/8-16	54	735-3049A	Brake Pedal Pad
18	712-3017	Hex Nut, 3/8-16	55	736-0119	Lock Washer, 5/16
19	714-0104	Internal Cotter Pin	56	736-0187	Flat Washer,.64 x 1.24 x.06
20	714-0111	Cotter Pin	57	736-0262	Flat Washer,.385 x.870 x.092
21	725-0157*	Cable Tie	58	738-0155	Shoulder Screw,.437 x 1.62
22	725-1644	Short Spring Switch	59	741-0225	Hex Flange Bearing
23	726-0154*	Push-mount Cable Tie	60	741-3065B	Split Hex Flange Bearing
24	726-0320	Insulator Nut Plate	61	747-04093A	Brake Lock Control Rod
25	732-04323B	Extension Spring,.770 x 3.72 Lg.	62	747-04096	Cruise Control Rod
26	732-0716D	Extension Spring,.59 x 4.0	63	747-04641A	Brake Pedal
27	732-3118	Extension Spring, 3/8 x 1.44	64	748-04039C	Cruise Latch
28	736-0169	Lock Washer, 3/8	65	783-04612	Steering Support Bracket
29	736-0227	Flat Washer,.390 x 1.500 x.134	66	783-0663E	Drive Lockout Bracket
30	736-0258	Flat Washer.385 x 1.00 x.135	67	710-0224	AB Screw, #10-16 x.500
31	736-0300	Flat Washer .406 x .875 x .059	68	17962	Switch Plate
32	738-0380	Shoulder Bolt, .500 x .270	69	725-04039	Switch
33	738-0372B	Shoulder Spacer,.38	70	712-3050	Lug Nut, 3/4-16
34	747-04140	Hydrostatic Brake Rod	71	634-0202A	Wheel Assembly, 23 x 10.5 x 12
35	747-1119	Hydrostatic Control Rod		634-04238	Rim Only 12.0 x 7.0
36	747-1121A	Hydrostatic Bypass Rod		734-0255*	Air Valve
37	754-0349	Drive Belt		734-04147	Tire Only 23 x 10.5 x 12 Sq. Shldr.

* Not Shown

NOTE: Tractor features vary by model. NOT all parts listed above and pictured on the previous page are standard equipment.

Briggs & Stratton Twin Cylinder Engine

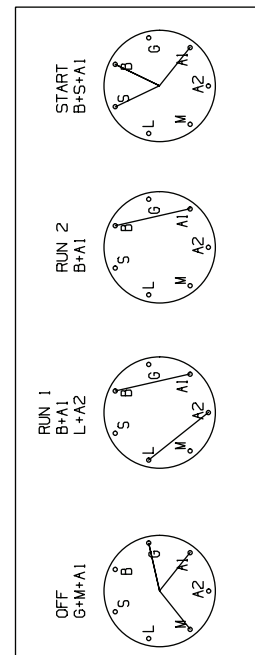
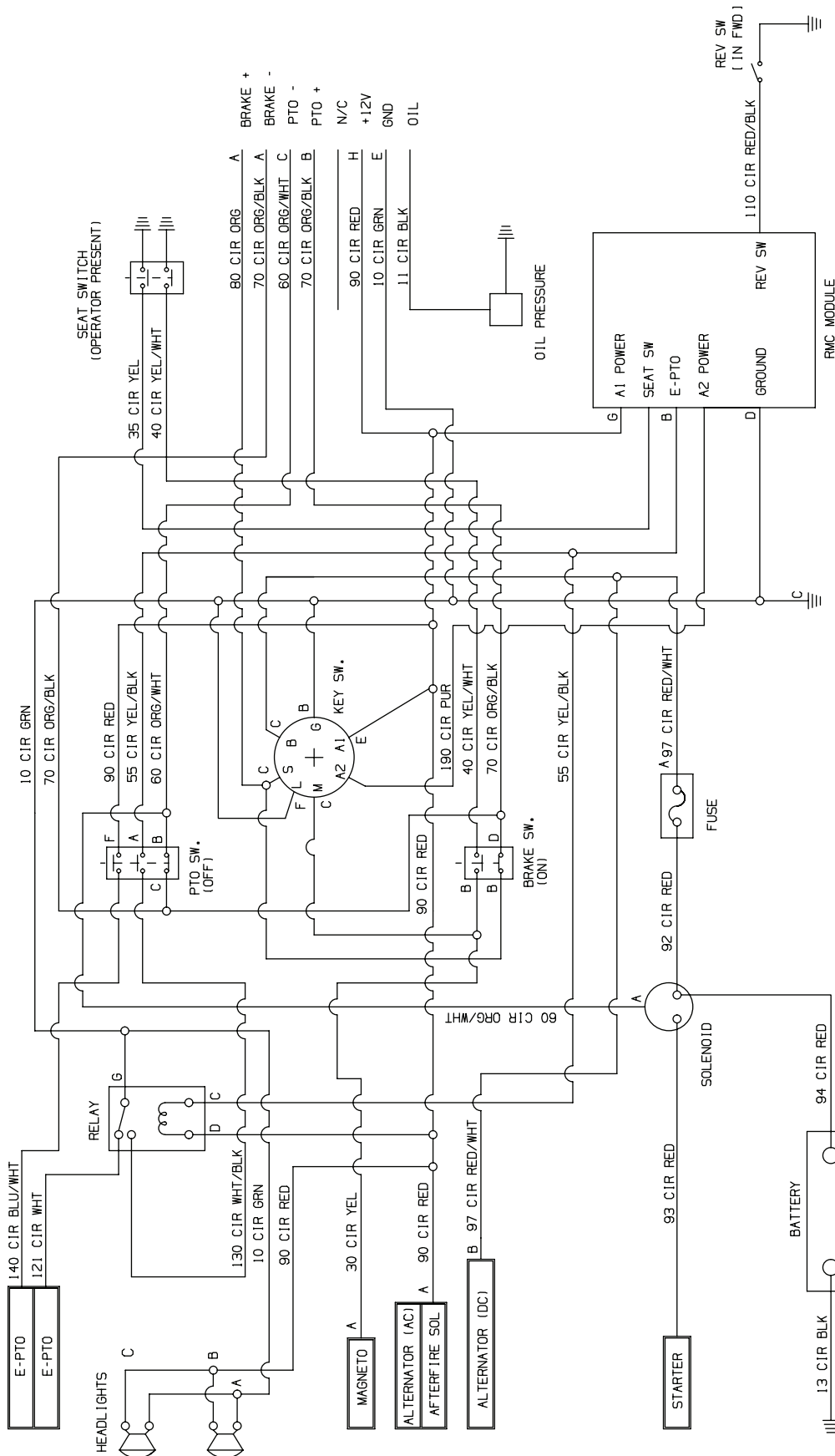


Ref.	Part Number	Description
1	683-04370	Muffler Assembly Shield
2	710-0227	AB Screw #8-18 x 0.5
3	710-04683	TT Screw 3/8-16 x 1.00
4	710-0642	TT Screw 1/4-20 x 0.750
5	710-1314A	Screw, 5/16-18 x .750
6	712-0271	Sems Nut, 1/4-20
7	751-3141	Oil Drain Extension Hose
8	721-0460	Exhaust Gasket

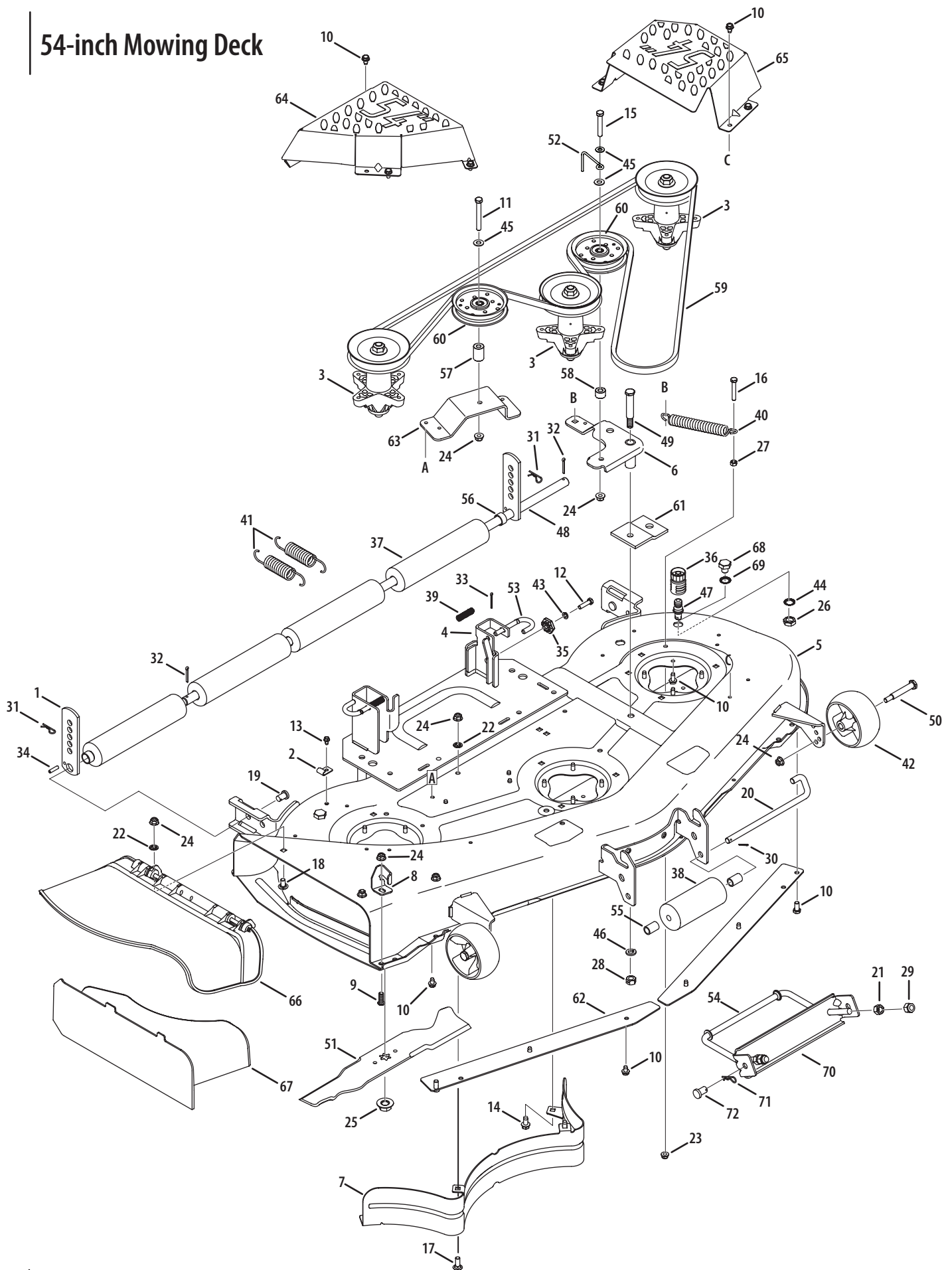
Ref.	Part Number	Description
9	725-0157	Cable Tie
10	726-0205	Hose Clamp
11	728-04000	Pop Rivets, .188 x .300
12	751-10542	Twin Inlet Muffler
13	751-0564B	Muffler Deflector
14	751-10349	Fuel Line Hose
15	751-10353	Long Muffler Deflector
16	751-10517	Oil Drain Valve

NOTE: Tractor features vary by model. NOT all parts listed above and pictured on the previous page are standard equipment.

Wiring Schematic



54-inch Mowing Deck



54-inch Mowing Deck

Ref.	Part Number	Description	Ref.	Part Number	Description
1.	12650	Bracket, Adjustment, Height	37.	731-0335	Roller, Deck
2.	16606	Bracket, Hook, Retainer	38.	731-05679	Front Roller
3.	618-0671B	Spindle Assembly, Pulley	39.	732-0306A	Spring, Compression
4.	683-0254B	Bracket Asbly, Deck Hanger LH	40.	732-0459C	Spring, Ext., .94 Dia. x 6.74
5.	683-04483	Deck Asmbly., 54" SD GT	41.	732-0934	Spring, Ext., 1.15 Dia. X 5.99
6.	683-0459	Idler Assembly, 54" Deck	42.	734-04155	Deck Wheel, 5" Dia.
7.	703-2093	RR Inner Baffle	43.	736-0119	Lock Washer
8.	703-3279	Deflector Chute Stop	44.	736-0225	Lock Washer, 5/8"
9.	710-04095	Hex Screw 3/8-16 x 1.0	45.	736-0300	Washer, Flat.406 x.875 x.059
10.	710-04484	Screw, 5/16-18 x 0.750	46.	736-0921	Lock Washer
11.	710-0521	Screw, 3/8-16 x 3.00	47.	737-04003D	Deck Wash Water Nozzle
12.	710-0528	Hex Screw, 5/16-18 x 1.25	48.	738-0295	Shaft,.750 x.4712
13.	710-0599	Screw, 1/4-20 x.500	49.	738-1229A	Shoulder Screw
14.	710-0623	Screw, 3/8-16 x.750	50.	738-3056	Shoulder Screw
15.	710-0859	Screw, 3/8-16 x 2.50	51.	742-0677B	Blade, 18.50"
16.	710-3103	Hex Screw, 5/16-18 x 2.00	52.	747-04938	Idler Belt Keeper Rod
17.	710-3168	Bolt, Carriage, 3/8-16 x 1.0	53.	747-1116	Deck Rels. Hndl. Rod,.375 Dia
18.	710-3178	Carriage Bolt 3/8-16 x.75	54.	747-1324	Rod, Deck Adjust
19.	711-0332	Pin, Clevis,.50 Dia x.78	55.	750-0151	Spacer.550 ID x.755 OD x 1.1
20.	711-1737	Pin, Roller,.5" Dia x 10.06.	56.	750-0212	Spacer,.82 ID x 1.00 OD x.53
21.	712-0206	Hex Nut, 1/2-13	57.	750-04597	Spacer,.380 x.900 x 1.313
22.	712-0229	Push Nut Retainer	58.	750-0933	Spacer,.385 ID x.88 x.64
23.	712-04063	Nut, Flange Lock, 5/16-18	59.	754-0642	Belt, V-Type, B Section
24.	712-04065	Nut, Lock, Flange, 3/8-16	60.	756-04129	Pulley, Idler, 4.25 Dia.
25.	712-0417A	Nut, Hex Flange, 5/8-18	61.	783-04013A	Bracket, Stabilizing
26.	712-0641	Hex Nut M16	62.	783-04690B	Deck Skirt
27.	712-3010	Nut, Hex, 5/16-18, Gr5	63.	783-04726	Bracket, Idler
28.	712-3022	Nut, Hex Lock, 1/2-13	64.	783-1470A	Cover, Spindle RH
29.	712-3083	Hex Lock Nut, 1/2-13	65.	783-1471	Cover, Spindle LH
30.	714-0111	Pin, Cotter, 3/32 x 1.00	66.	631-04070A	Chute Assembly
31.	714-0145	Pin, Click,.092 x 1.64	67.	731-04651	Mulch Plug
32.	714-0162	Cotter Pin	68.	738-04146	Plug, Bolt, M16 x 1.5
33.	714-0470	Pin, Cotter, 1/8 x 1.25	69.	736-0187	Washer, Flat, .64 x 1.24 x .06
34.	715-0108	Pin, Spring 1/4 Dia x 1.00	70.	783-0720A	Front Deck Rod Adjustment Bracket
35.	717-04074	Adjustment, Deck, Gear	71.	714-04023	Hairpin Clip
36.	721-04041	Water Nozzle Adaptor	72.	711-0332	Clevis Pin, .50 x .78

NOTE: Tractor features vary by model. NOT all parts listed above and pictured on the previous page are standard equipment.