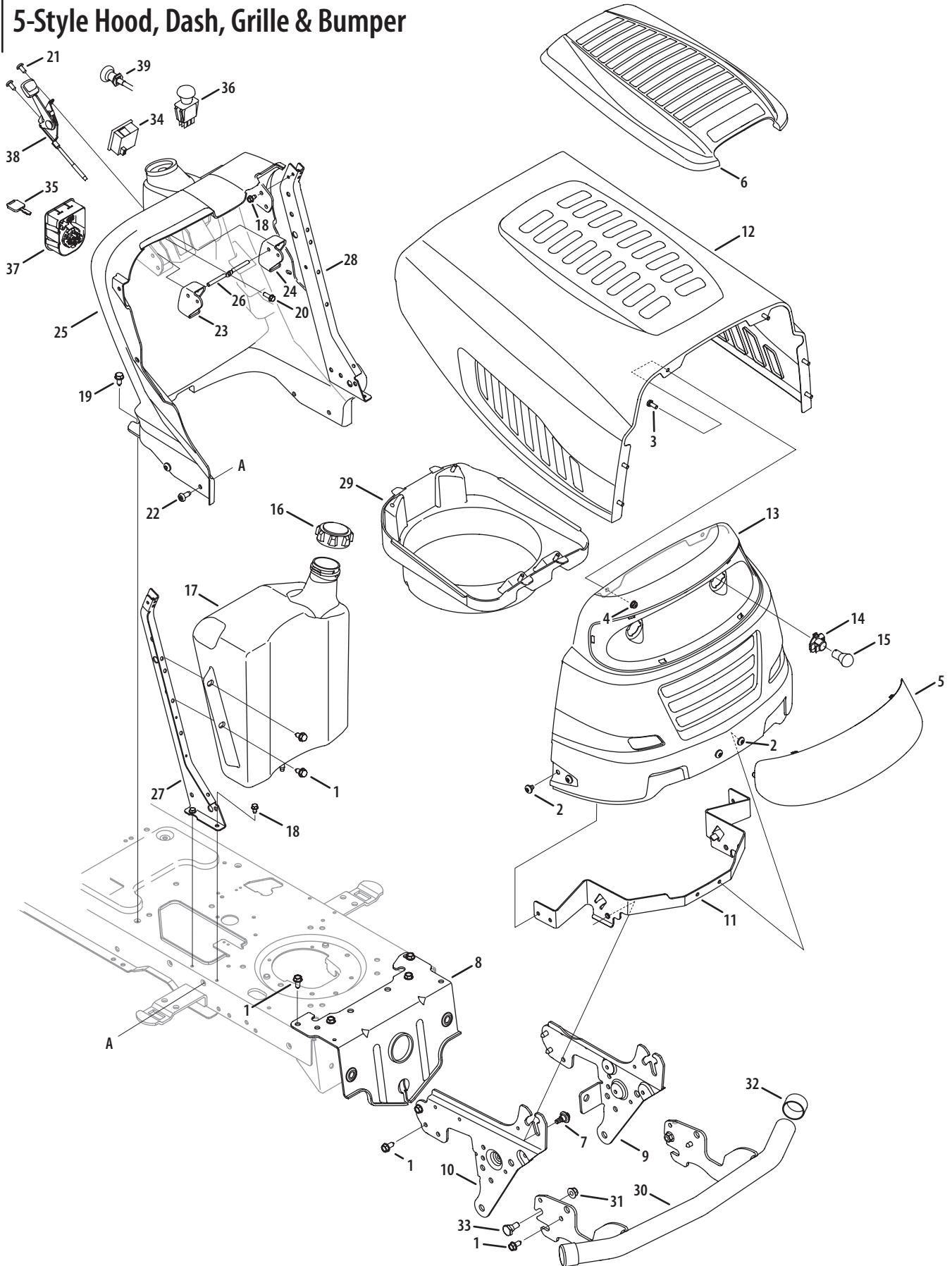


# 5-Style Hood, Dash, Grille & Bumper



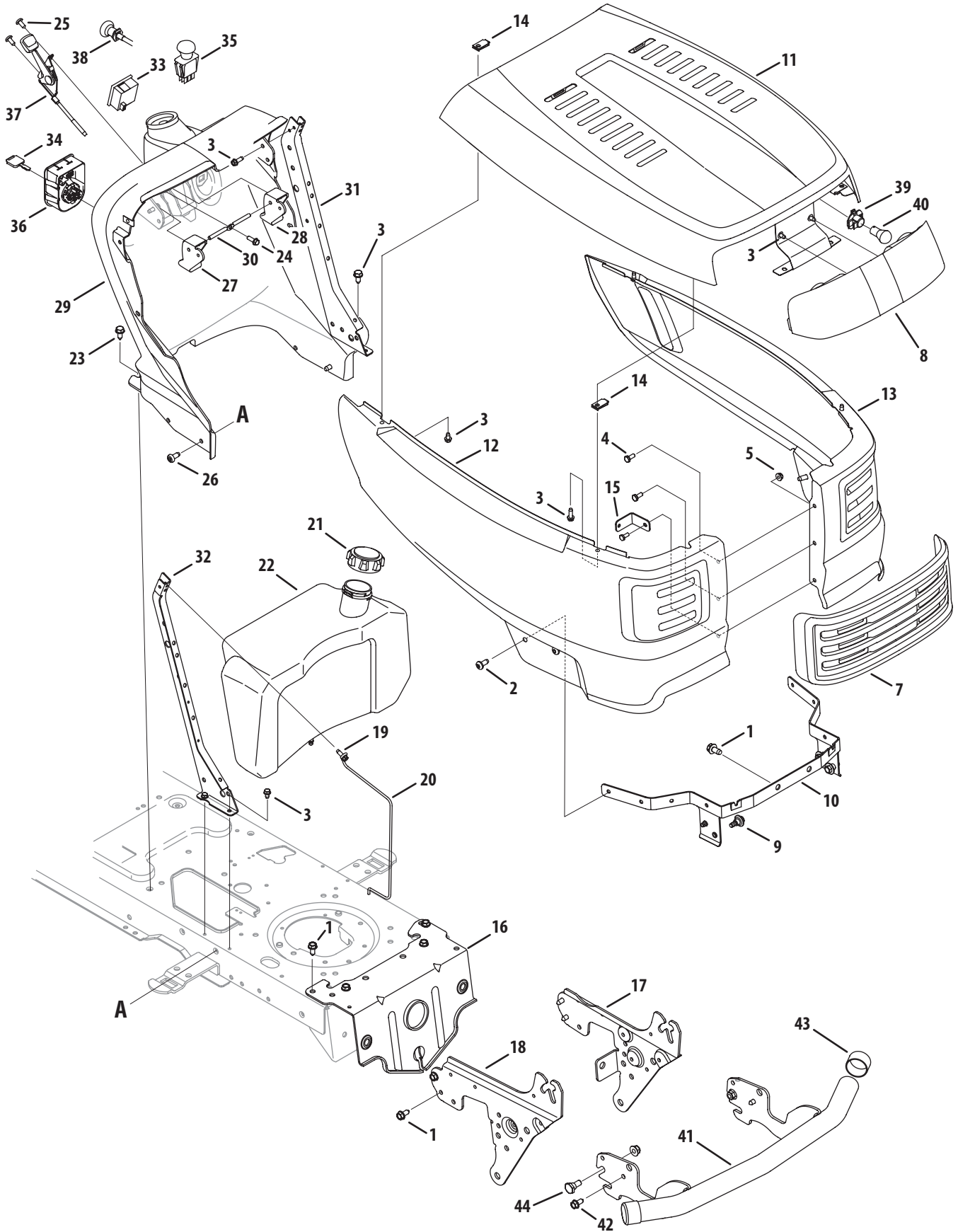
## 5-Style Hood, Dash, Grille & Bumper

Ref.	Part Number	Description	Ref.	Part Number	Description
1	710-04484	Screw, 5/16-18 x .750	23	731-04215	Cruise Control Button
2	710-04593	Screw, 5/16-18 x .375	24	731-04217	Parking Brake Button
3	710-0751	Hex Cap Screw, 1/4-20 x.62	25	731-06169	Dash Panel
4	712-04064	Flange Lock Nut, 1/4-20	26	747-1196	Brake/Cruise Pivot Rod
5	731-04949A	Headlight Lens	27	783-04285F	RH Dash Support Plate
6	731-05522A	Cover Hood 5-Style	28	783-04323F	LH Dash Support Plate
7	738-04091A	Shoulder Screw, .43 x.29	29	731-05165A	Plenum
8	783-05326	Pivot Bar Bracket	30	683-04219A	Bumper Assembly
9	783-05417	Pivot Support Bracket - LH	31	712-04065	Flange Lock Nut, 3/8-16
10	783-05418	Pivot Support Bracket - RH	32	731-05674	Cap
11	783-05454	Hood Pivot Bracket	33	738-0143	Shoulder Bolt, 3/8-16
12	783-05683	Hood, 5 Style	34	725-04036C	Systems Ind. Monitor w/Hr. Mtr.
13	783-05685	Grille, 1 Style	35	725-1745A	Ignition Key w/ plastic cover
14	725-1649	Headlight Socket		725-1744A	Ignition Key w/o plastic cover
15	725-0963	Lamp	36	725-1752	Electric PTO Switch
16	751-0603	Fuel Cap	37	725-04227B	Ignition Switch
17	751-0658E	Fuel Tank, Three Gallon	38	746-04417	Throttle Control/Cable
18	710-0599	Self-tapping Screw, 1/4-20 x.5	39	746-1085A	Choke Control Cable
19	710-0607	Screw, 5/16-18 x .500	—	629-04083B*	Headlight Wire Harness
20	710-0895	Self-tapping Screw, 1/4-15 x.75	—	725-04404A*	Wire Harness (w/ Hr. Mtr. & Elctr. PTO)
21	710-1017	Screw, 1/4-14 x.625	—	777X41984*	Headlight Reflective Insert
22	710-1611B	Screw, 5/16-18 x.75			

\* Not Shown

NOTE: Tractor features vary by model. NOT all parts listed above and pictured on the previous page are standard equipment.

# T-Style Hood, Dash, Grille & Bumper



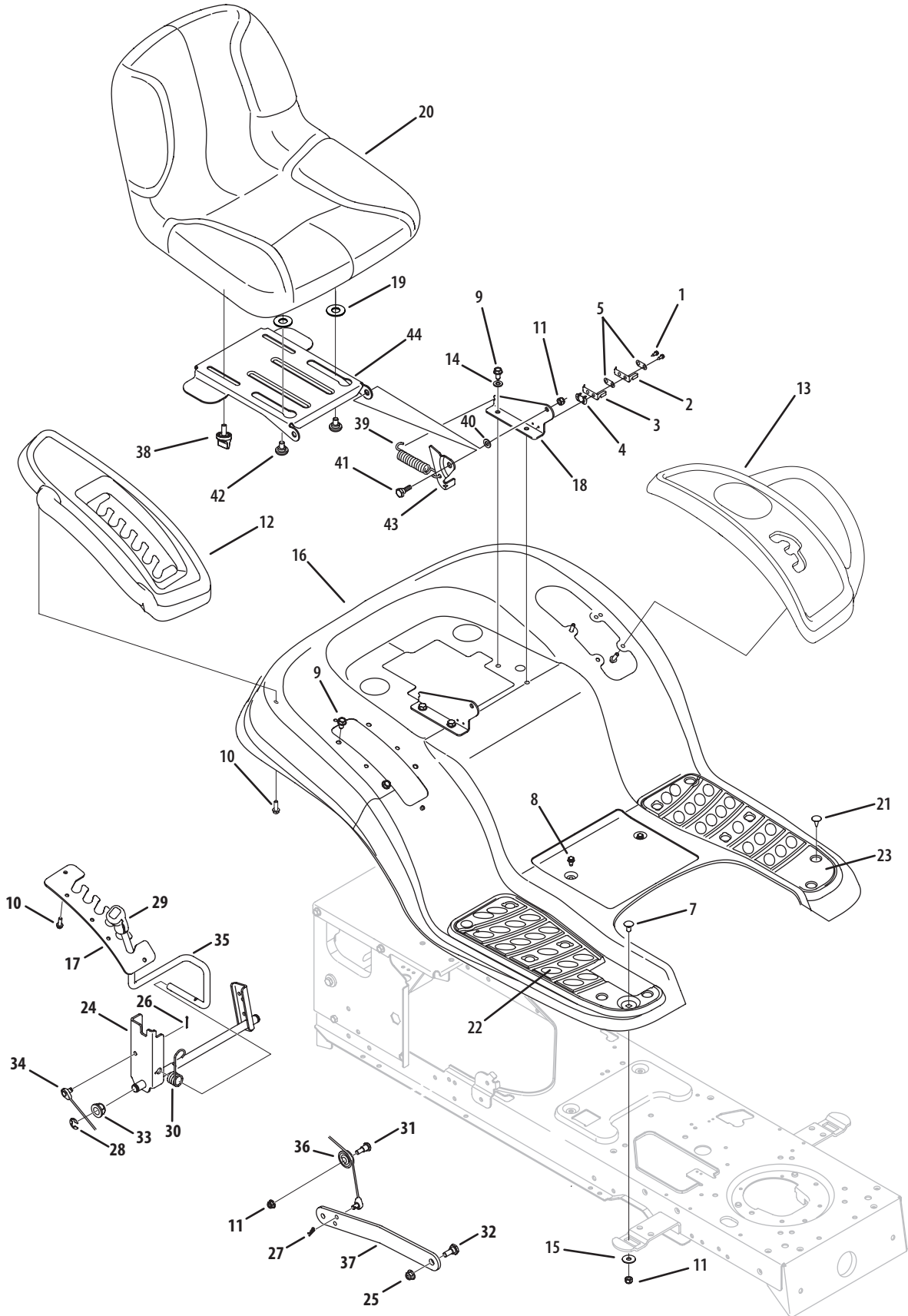
## T-Style Hood, Dash, Grille & Bumper

Ref.	Part Number	Description	Ref.	Part Number	Description
1	710-04484	Screw, 5/16-18 x .750	26	710-1611B	Screw, 5/16-18, 0.750
2	710-04593	Screw, 5/16-18 x .375	27	731-04215	Dash Cruise Lever
3	710-0599	Self-tapping Screw, 1/4-20 x.5	28	731-04217	Dash Brake Lever
4	710-0751	Hex Cap Screw, 1/4-20 x.62	29	731-06168	Dash Panel, T-Style w/ Electric PTO
5	712-04064	Flange Lock Nut, 1/4-20	30	747-1196	Bent Lever Rod
6	725-0157*	Cable Tie, 3/16 x .05 x 7.4	31	783-04323F	Dash Support, LH
7	731-06358	T-Style Grille Insert	32	783-04285F	Dash Support, RH
8	731-06414	T-Style Lens	33	725-04036C	Systems Ind. Monitor w/Hr. Mtr.
9	738-04091A	Shoulder Screw, .43 x.29	34	725-1745A	Ignition Key w/ plastic cover
10	783-04606B	Hood Pivot Bracket		725-1744A	Ignition Key w/o plastic cover
11	783-04827	Hood	35	725-1752	Electric PTO Switch
12	783-04828	Side Panel, RH	36	725-04227B	Ignition Switch
13	783-04967	Side Panel, LH	37	746-04417	Throttle Control/Cable
14	783-05223	T-Style Hood Fastener	38	746-1085A	Choke Control Cable
15	783-05315	Front Hood Bracket	39	725-1649	Headlight Socket
16	783-05326	Pivot Bar Bracket	40	725-0963	Lamp
17	783-05417	Pivot Support Bracket - LH	41	683-04219A	Bumper Assembly
18	783-05418	Pivot Support Bracket - RH	42	712-04065	Flange Lock Nut, 3/8-16
19	710-0642	Screw, 1/4-20, 0.750	43	731-05674	Cap
20	747-04161	Gas Tank Support Rod	44	738-0143	Shoulder Bolt, 3/8-16
21	751-0603	Fuel Tank Cap	—	629-04083A*	Headlight Wire Harness
22	751-10609	Fuel Tank, 2.5 gal.	—	725-04404A*	Wire Harness (w/ Hr. Mtr. & Elctr. PTO)
23	710-0607	Screw, 5/16-18 x 0.500	—	777X42188*	Headlight Lens Reflector RH
24	710-0895	Screw, 1/4-15, .750	—	777X42187*	Headlight Lens Reflector LH
25	710-1017	Screw, 1/4-14, 0.625			

\* Not Shown

NOTE: Tractor features vary by model. NOT all parts listed above and pictured on the previous page are standard equipment.

# R-Style Fender & Seat Assembly

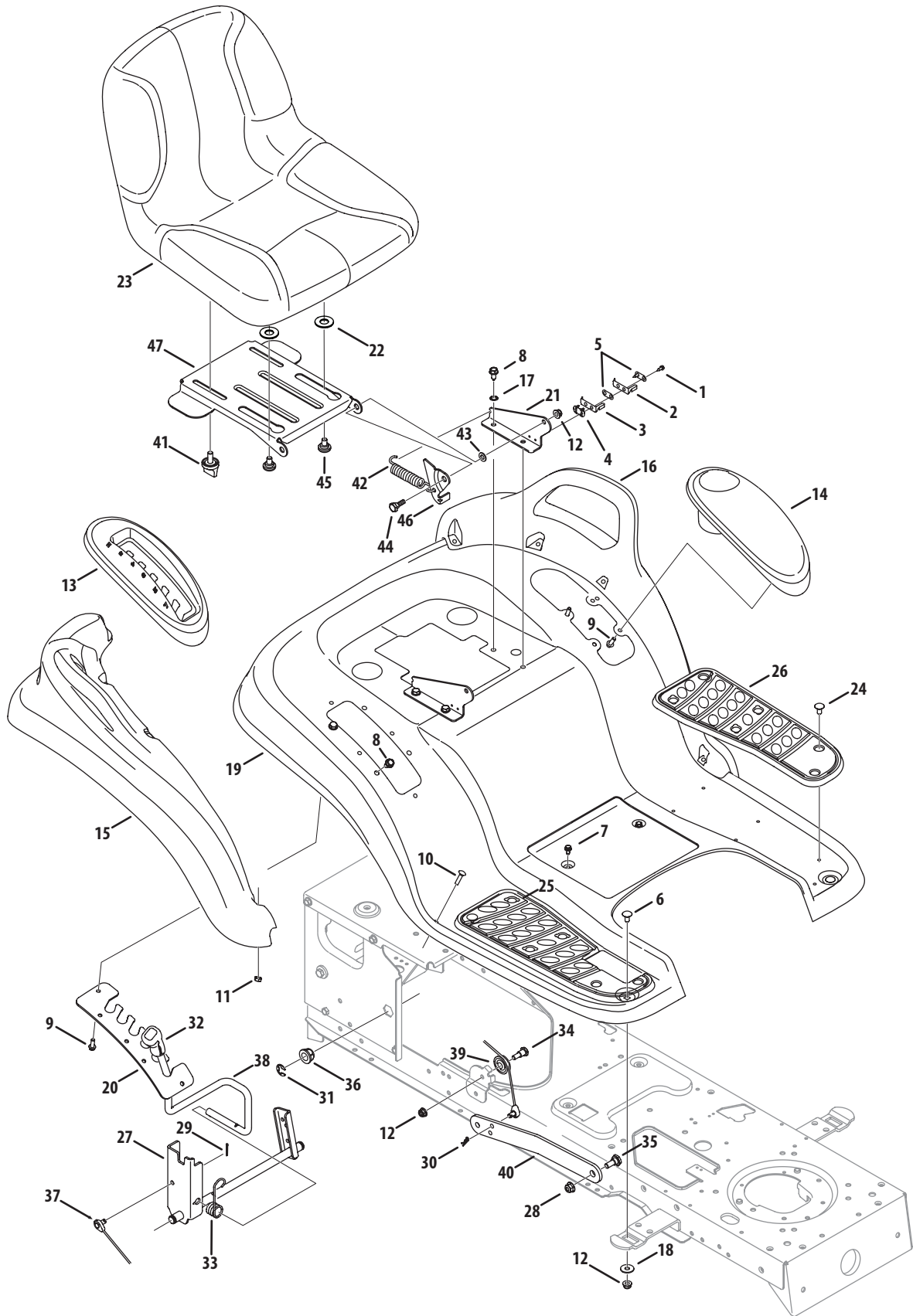


## R-Style Fender & Seat Assembly

Ref.	Part Number	Description	Ref.	Part Number	Description
1	710-0227	Screw, #8-18 x.500	23	735-0657	LH Foot Pad
2	725-1303	Outer Seat Spring Switch	24	683-04223	Lift Assembly Shaft
3	725-1439	Inner Seat Spring Switch	25	712-04065	Flange Lock Nut, 3/8-16
4	726-0278	Insulator Boss Plate	26	714-0104	Hairpin Clip
5	726-0279	Insulator Plate	27	714-0111	Cotter Pin
6	710-04187	Hex Screw, 1/4-15 x .50	28	716-0106A	E-Ring
7	710-0451	Carriage Bolt, 5/16-18 x.750	29	720-0311	Handle Grip
8	710-0599	Screw, 1/4-20 x.500	30	732-0874	Torsion Spring
9	710-04484	Screw, 5/16-18 x.750	31	738-0138A	Hex Cap Screw, 5/16-18 x.62
10	710-0895	Self-tapping Screw, 1/4-15 x.75	32	738-0380	Shoulder Screw, 3/8-16
11	712-04063	Flange Lock Nut, 5/16-18	33	741-0225	Hex Flange Bearing
12	731-05498A	LH Fender Cover	34	746-0968	Lift Cable, 16.16
13	731-05837	RH Fender Cover	35	747-04447	Lift Handle
14	736-0607	Flat Washer, 5/16 Int. Tooth	36	756-1154	Roller Pulley
15	736-3078	Flat Washer,.349 x 1.0 x.063	37	783-04963A	Arm Lift
16	783-04477A	Fender R-Style	38	720-04061	Knob, 3/8-16 x .875
17	783-0677B	Lift Adjustment Bracket	39	732-1184	Extension Spring,.84 x 4.6
18	783-1489C	Seat Mounting Bracket	40	736-0242	Flat Washer
19	736-0300	Washer, Flat, .406 x .875 x .059	41	738-0296	Shoulder Screw,.437 x.286
20	757-04003A	High Back Seat, Gray	42	738-04012A	Shoulder Screw, 3/8-16 .625 x .145
21	726-3046	Foot Pad Clips	43	783-0209D	Seat Lift Bracket
22	735-0656	RH Foot Pad	44	783-04081B	Seat Pivot Bracket

NOTE: Tractor features vary by model. NOT all parts listed above and pictured on the previous page are standard equipment.

# 4-Style Fender & Seat Assembly



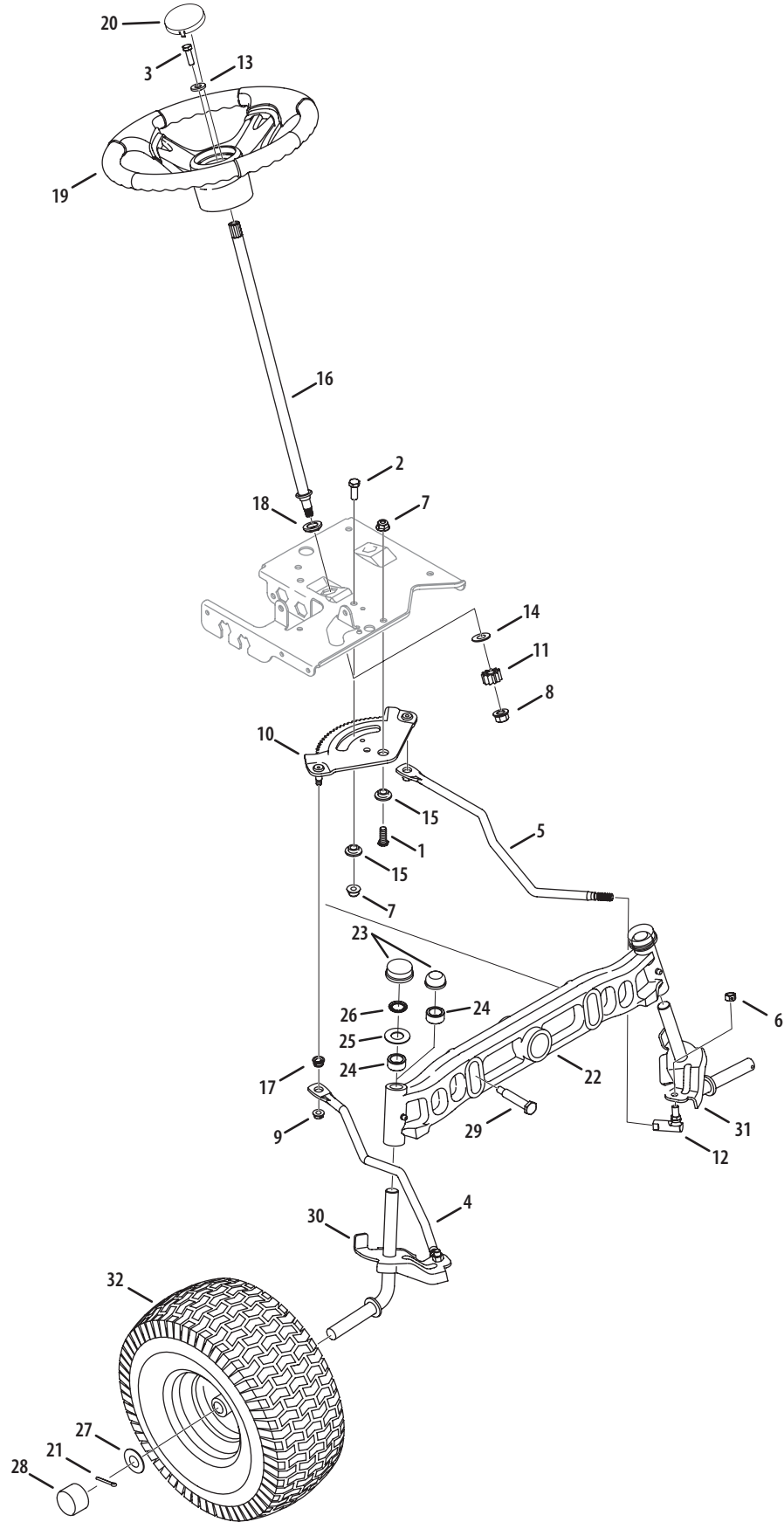
## 4-Style Fender & Seat Assembly

Ref.	Part Number	Description	Ref.	Part Number	Description
1	710-0227	Screw, #8-18 x.500	25	735-0656	RH Foot Pad
2	725-1303	Outer Seat Spring Switch	26	735-0657	LH Foot Pad
3	725-1439	Inner Seat Spring Switch	27	683-04301	Lift Assembly Shaft
4	726-0278	Insulator Boss Plate	28	712-04065	Flange Lock Nut, 3/8-16
5	726-0279	Insulator Plate	29	714-0104	Hairpin Clip
6	710-0451	Carriage Bolt, 5/16-18 x.750	30	714-0111	Cotter Pin
7	710-0599	Screw, 1/4-20 x.500	31	716-0106A	E-Ring
8	710-04484	Screw, 5/16-18 x.750	32	720-0311	Handle Grip
9	710-0895	Self-tapping Screw, 1/4-15 x.75	33	732-0874	Torsion Spring
10	710-0932	Carriage Screw 1/4-20 x 1.00	34	738-0138A	Hex Cap Screw, 5/16-18 x.62
11	712-0271	Sems Nut 1/4-20	35	738-0380	Shoulder Screw, 3/8-16
12	712-04063	Flange Lock Nut, 5/16-18	36	741-0225	Hex Flange Bearing
13	731-1990	Lift Lever Cover	37	746-0968	Lift Cable, 16.16
14	731-1993A	Cover w/ Cup Holder	38	747-04447	Lift Handle
15	731-2618	RH Fender Flare	39	756-1154	Roller Pulley
16	731-2619	LH Fender Flare	40	783-05546	Arm Lift
17	736-0607	Flat Washer, 5/16 Int. Tooth	41	720-04061	Knob, 3/8-16 x .875
18	736-3078	Flat Washer,.349 x 1.0 x.063	42	732-1184	Extension Spring,.84 x 4.6
19	783-04459A	Fender 4 Sty Hydro w/ Flares	43	736-0242	Flat Washer
20	783-0677B	Lift Adjustment Bracket	44	738-0296	Shoulder Screw,.437 x.286
21	783-1489C	Seat Mounting Bracket	45	738-04012A	Shoulder Screw, 3/8-16 .625 x .145
22	736-0300	Washer, Flat, .406 x .875 x .059	46	783-0209D	Seat Lift Bracket
23	757-04075	High Back Seat, Gray	47	783-04081B	Seat Pivot Bracket
24	726-3046	Foot Pad Clips			

NOTE: Tractor features vary by model. NOT all parts listed above and pictured on the previous page are standard equipment.



# Steering & Front Axle Assembly

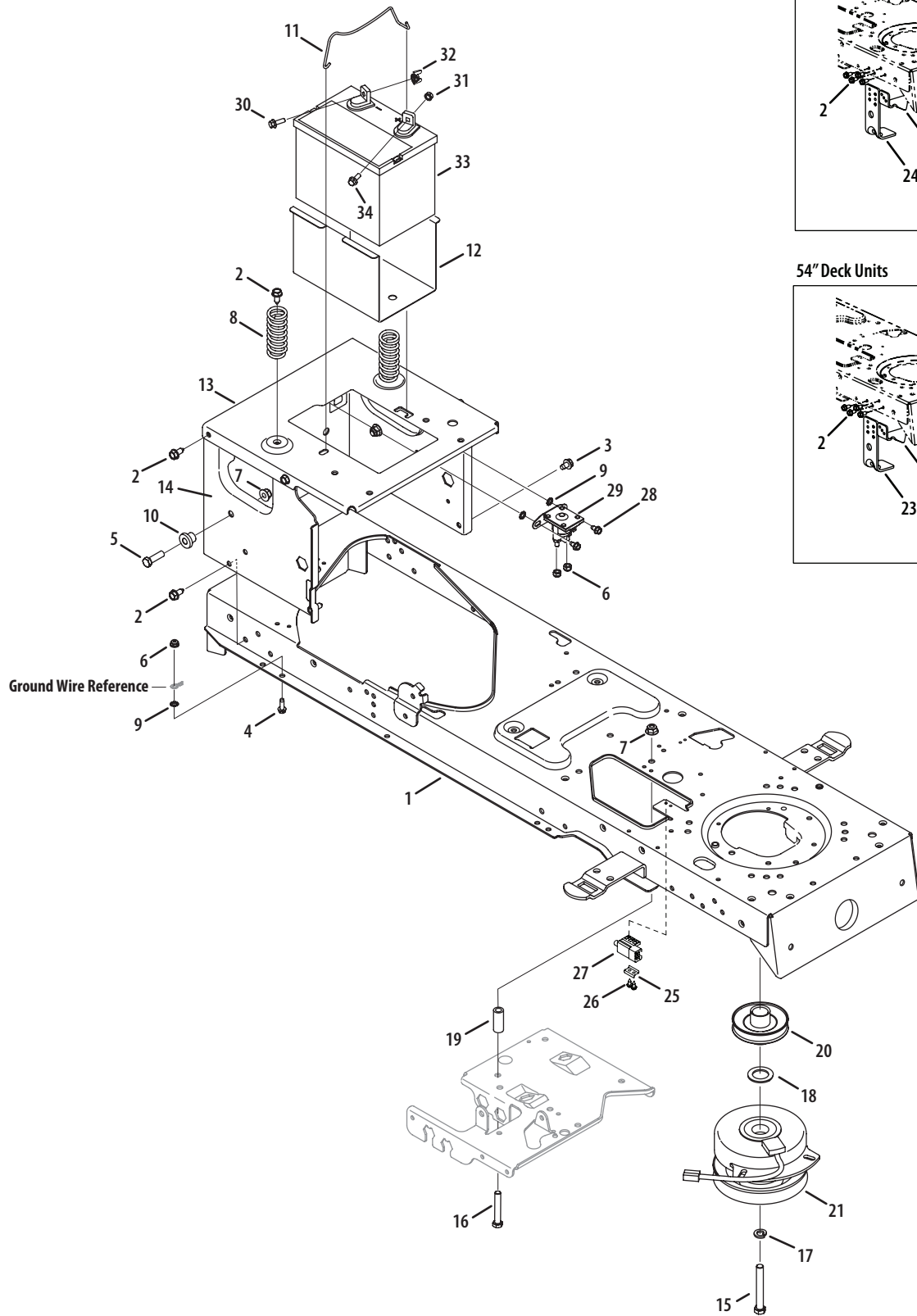


## Steering & Front Axle Assembly

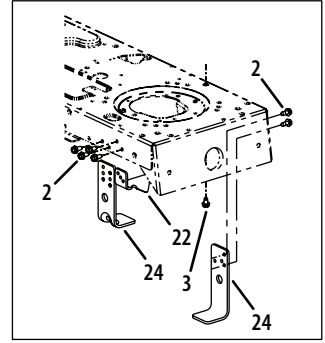
Ref.	Part Number	Description	Ref.	Part Number	Description
1	710-04095	Hex Screw, 3/8-16, 1.00, Gr5	21	714-04039	Cotter Pin, 5/32 x 1.25
2	710-0514	Hex Screw, 3/8-16, 1.00, Gr5		714-0162	Cotter Pin, 5/32 x 1.25
3	710-0643	Hex Screw, 5/16-18, 1.00, Gr5	22	719-04177A	Pivot Bar Axle
4	711-1408	Link, Drag, RH	23	731-04693	Large Cap
5	711-1409A	Link, Drag, LH		726-0341	Small Cap
6	712-0214	Nut, Hex Lock, 3/8-24	24	748-04068	Spacer, .71 x .125 x .56
7	712-04065	Nut, Flange Lock, 3/8-16	25	736-0316	Washer, Flat, .78 x 1.59 x .060
8	712-0459	Nut, Flange Lock, 7/16-20	26	726-04035	Push Nut, 3/4 dia.
9	712-3004A	Nut, Flange Lock, 5/16-18, Gr5	27	736-04228	Flat Washer, .781 x 1.589
10	717-1550E	Gear, Steering, 11/90 Ratio	28	731-05674	Hub Cap
11	717-1554	Gear, Pinion, Steering	29	738-04128	Shoulder Bolt, .500 x 2.38, 3/8-16
12	723-0448A	Ball Joint, 7/16-20, Lock	30	638-04003A	Axle Assembly (50" Deck Units) RH
13	736-3004	Washer, Flat,.406 x .875 x .105		638-04005	Axle Assembly (54" Deck Units) RH
14	736-3084	Washer, Flat,.51 x 1.12 x .06	31	638-04004A	Axle Assembly (50" Deck Units) LH
15	738-04154	Spacer, Shoulder,.38 x 1.00 x .31		638-04006	Axle Assembly (54" Deck Units) LH
16	738-04263	Shaft, Steering, .625 OD x 24.25	32	634-04406	Wheel Assembly (50" Deck Units)
17	741-0475	Plastic Bushing.380 ID		734-1731	Tire Only 15 x 6 x 6 Sq. Shldr.
18	741-04237	Hex Flange Bearing 5/8 PM		634-04405	Rim Only w/ Valve Stem
19	631-04008A	Steering Wheel, 13.25		634-04466	Wheel Assembly (54" Deck Units)
	631-04028	Steering Wheel, 13.25		734-1727	Tire Only 16 x 6.50 x 8 Sq. Shldr.
20	731-04039	Steering Wheel Cover, No Logo		634-04082	Rim Only w/ Valve Stem
	731-04040	Steering Wheel Cover, w/ Logo			

NOTE: Tractor features vary by model. NOT all parts listed above and pictured on the previous page are standard equipment.

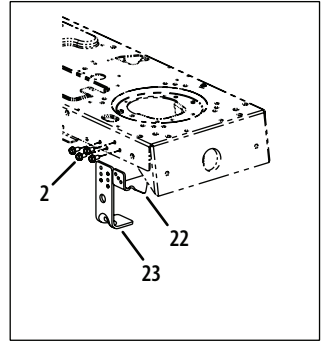
# Frame, PTO Clutch & Battery



50" Deck Units



54" Deck Units

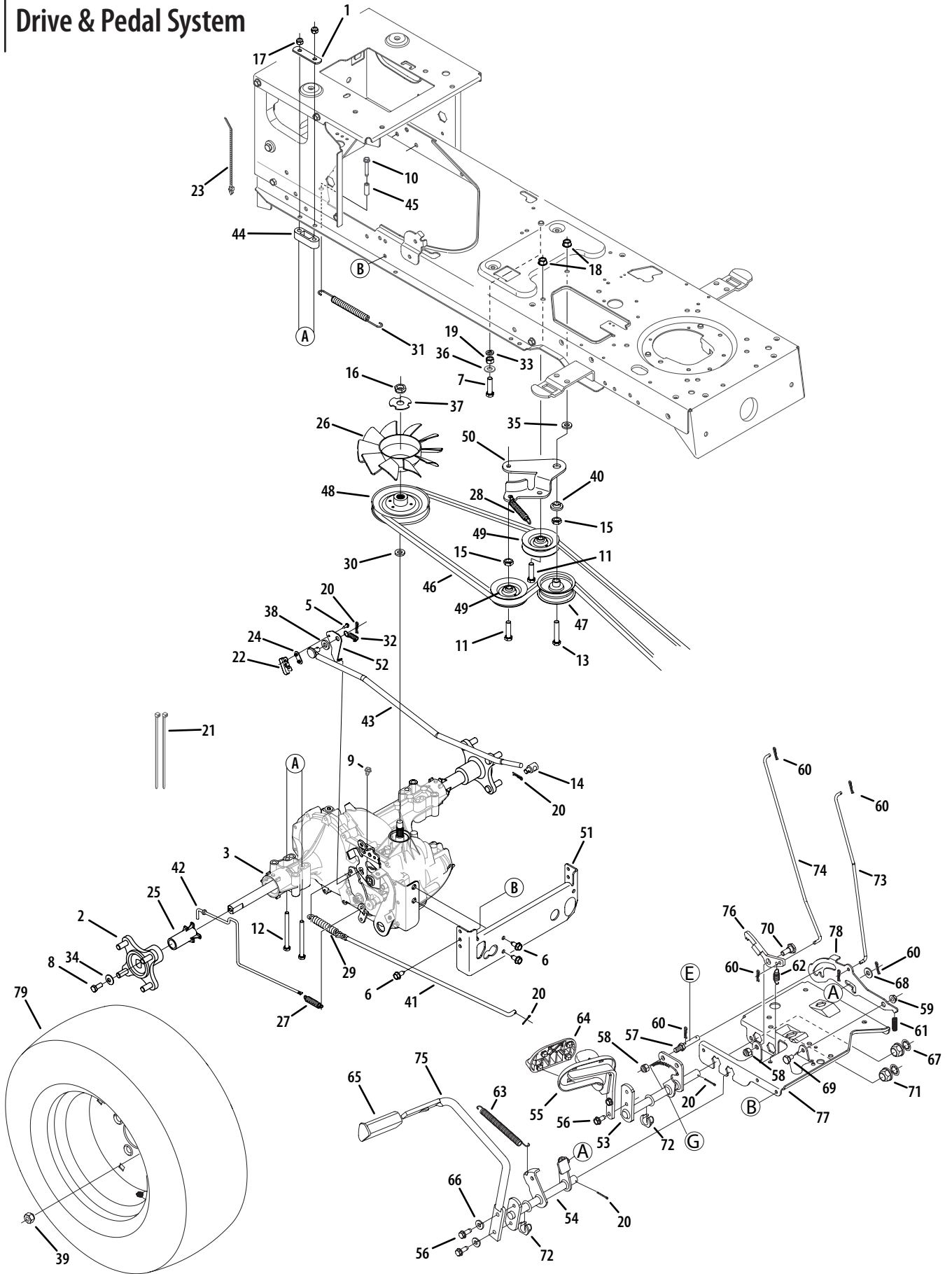


## Frame, PTO Clutch & Battery

Ref.	Part Number	Description	Ref.	Part Number	Description
1	683-04173B	Frame Assembly, Lower	19	748-0415B	Spacer,.385 ID x.635 OD x 1.54
2	710-04484	Screw, 5/16-18 x 0.75	20	756-0978B	Pulley, Engine, 3.56 Diameter
3	710-0607	Screw, 5/16-18, 0.500	21	717-04174A	PTO Clutch, Electric (50" Deck Units)
4	710-0642	Screw, 1/4-20, 0.750		717-1774C	PTO Clutch, Electric (54" Deck Units)
5	710-3005	Screw, 3/8-16, 1.25, Gr5	22	783-04419B	Clutch Bracket
6	712-04064	Nut, Flange Lock, 1/4-20	23	783-04467	Deck Bracket, Up-Stop (54" Deck)
7	712-04065	Nut, Flange Lock, 3/8-16	24	783-04975	Deck Bracket, Up-Stop (50" Deck)
8	732-04035	Spring, Compress., 1.28 x 3.125	25	17962	Switch Plate
9	736-0222	Washer, Lock, 1/4, External	26	710-0224	AB Screw, #10-16 x.500
10	738-04058	Spacer, Shoulder,.38 x 1.0 x.70	27	725-04039	Switch
11	747-04121A	Hold Rod, Battery	28	710-0599	Screw, 1/4-20, 0.50
12	783-0349	Battery Tray	29	725-04439	Solenoid, 12V, 100 Amp
13	783-04329A	Seat Bracket, Frame	30	710-04666	Hex Flange Bolt, 1/4-20,.75
14	783-04809C	Frame, Upper	31	712-0271	Nut, Sems, 1/4-20
15	710-04379A	Screw, 7/16-20, 3.50, Gr5, Lock	32	712-3087	Nut, Wing, 1/4-20
16	710-3011	Screw, 3/8-16, 2.25, Gr5	33	725-1750A	Battery, 235 CCA
17	736-0171	Lock Washer, 7/16	34	738-1132	Screw, Shoulder,.250 x.15, 1/4-20
18	736-0277	Washer, Flat, 1.031 x 1.620 x.095			

NOTE: Tractor features vary by model. NOT all parts listed above and pictured on the previous page are standard equipment.

# Drive & Pedal System



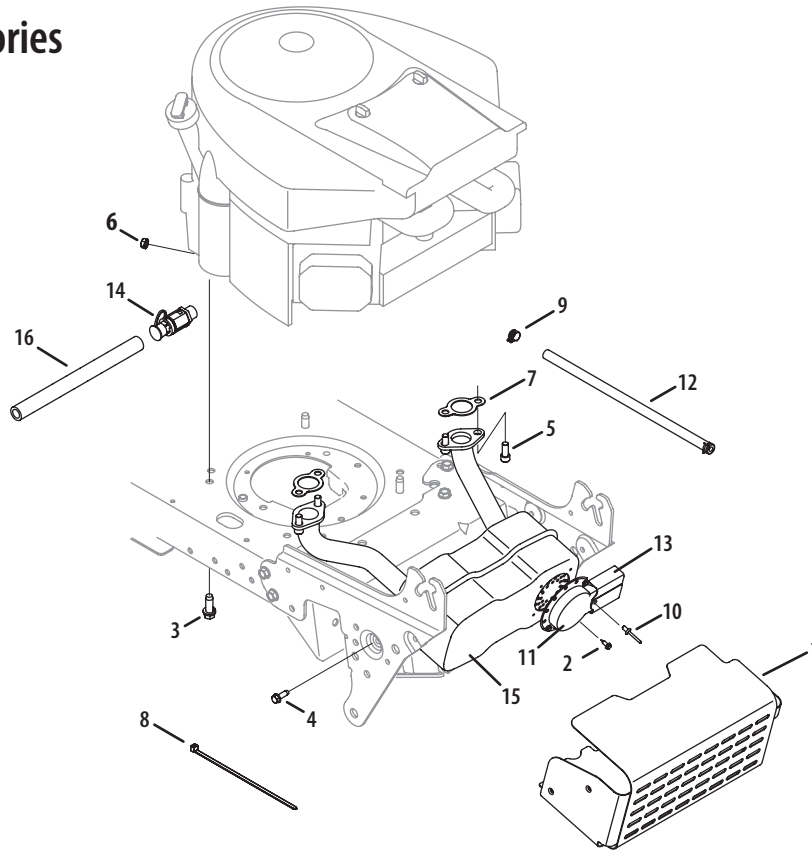
## Drive & Pedal System

Ref.	Part Number	Description	Ref.	Part Number	Description
1	17840	Transmission Mounting Bracket	42	747-1149	Bypass Rod
2	618-04228	Wheel Hub Assembly	43	747-1151	Control Rod
3	618-04270B	Hydrostatic Transmission	44	748-0334	Transaxle Spacer
4	629-0949B*	Harness Assembly	45	750-0566A	Spacer,.260 x.372 x 1.030 Lg.
5	710-0227	AB Screw #8-18 x 0.375	46	754-04165	V Belt, 4L x 78" Lg
6	710-04484	AB Screw 5/16-18 x 0.75	47	756-04224	Flat Idler Pulley
7	710-0520	Hex Bolt 3/8-16 x 1.5	48	756-04308	Input Pulley
8	710-0627	Screw, 5/16-24 x.750	49	756-04325	Idler Pulley
9	710-0653	TT Screw 1/4-20 x 0.5	50	783-04442	Idler Bracket
10	710-0778	Screw, 1/4-20 x 1.50	51	783-0810B	Torq Bracket
11	710-1007	Screw, 3/8-16 x 1.50	52	783-1019B	Actuator Bracket
12	710-1266	Hex Bolt 5/16-18 x 3.5	53	647-0049A	Hydrostatic Control Assembly
13	710-3011	Hex Bolt 3/8-16 x 2.25	54	647-04100	Brake Control Assembly
14	711-0832	Ferrule	55	683-0267C	Pedal Assembly
15	712-0240	Jam Nut 7/16-20	56	710-1260A	LD Screw 5/16-18 x 0.75
16	712-0346	Hex Nut, 1/2-20	57	711-04159B	Pin
17	712-04063	Flange Lock Nut, 5/16-18	58	712-04065	Flange Lock Nut, 3/8-16
18	712-0431	Flanged Lock Nut 3/8-16	59	712-3004A	Flange Lock Nut, 5/16-18
19	712-3017	Flanged Lock Nut 3/8-16	60	714-0104	Pin, Cotter
20	714-0111	Cotter Pin	61	732-0335	Compression Spring
21	725-0157	Cable Tie	62	732-0955	Extension Spring
22	725-1644	Switch	63	732-0963	Extension Spring
23	726-0154	Cable Tie	64	735-0662	Control Pedal
24	726-0320	Insulator Nut Plate	65	735-3049A	Brake Control Pedal
25	731-05300	Sleeve, .765 x 2.410 Lg.	66	736-0119	Lock Washer 5/16
26	731-06098	Blade Fan	67	736-0187	Flat Washer,.64 x 1.24 x.06
27	732-0209	Extension Spring	68	736-0262	Flat Washer, .385 x .870 x .092
28	732-04323B	Extension Spring	69	738-0155	Shoulder Screw
29	732-0716C	Extension Spring	70	738-0380	Shoulder Screw
30	732-0729	Wire Ring	71	741-0225	Hex Flange Bearing
31	732-0994	Extension Spring	72	741-3065B	Hex Flange Bearing
32	732-3118	Extension Spring	73	747-04093A	Brake Lock Control Rod
33	736-0169	Lock Washer	74	747-04096	Cruise Control Rod
34	736-0242	Bell Washer,.340 x.872 x.060	75	747-04641A	Brake Pedal
35	736-0258	Flat Washer,.385 x 1.0 x .135	76	748-04039C	Cruise Latch
36	736-0300	Flat Washer	77	783-04612	Steering Support Bracket
37	736-04263	Lock Washer, Hydro Trans.	78	783-0663E	Hydro Lockout Bracket
38	736-3010	Flat Washer	79	634-04210	Wheel Complete
39	712-3050	Lug Nut 7/16-14		734-04174	Tire Only, 22 x 9.5 x 12
40	738-0372B	Shoulder Spacer		634-04238	Rim Only
41	747-04139	Brake Rod		734-0255	Tubeless Air Valve

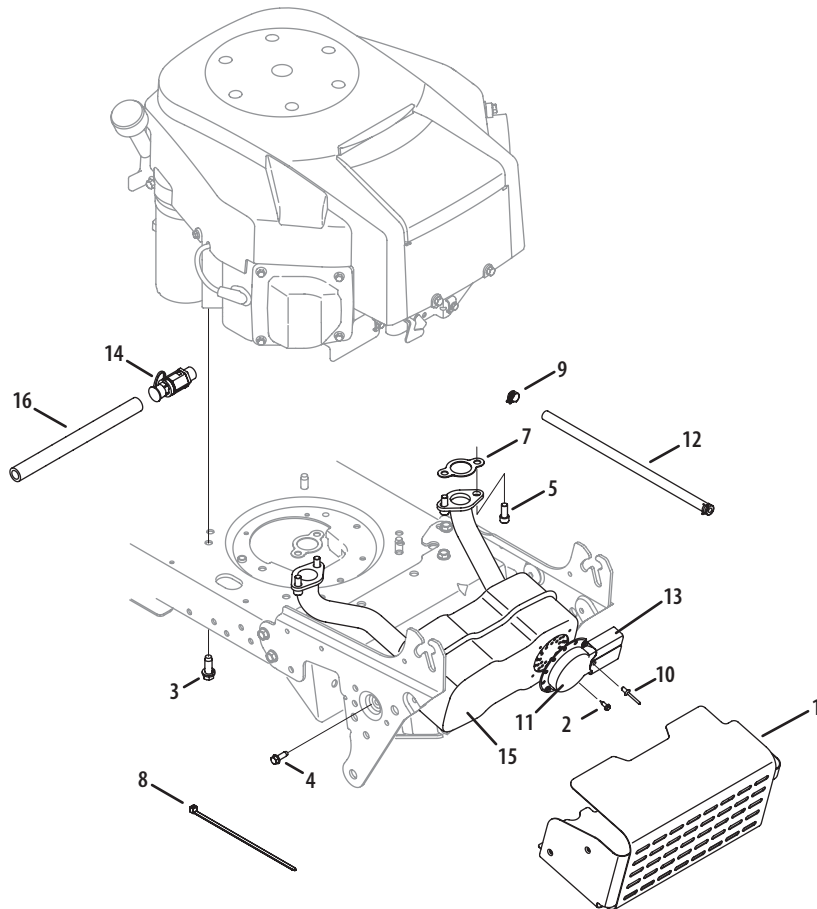
NOTE: Tractor features vary by model. NOT all parts listed above and pictured on the previous page are standard equipment.

\* Not Shown

# Engine Accessories



**B&S Intek Twin**



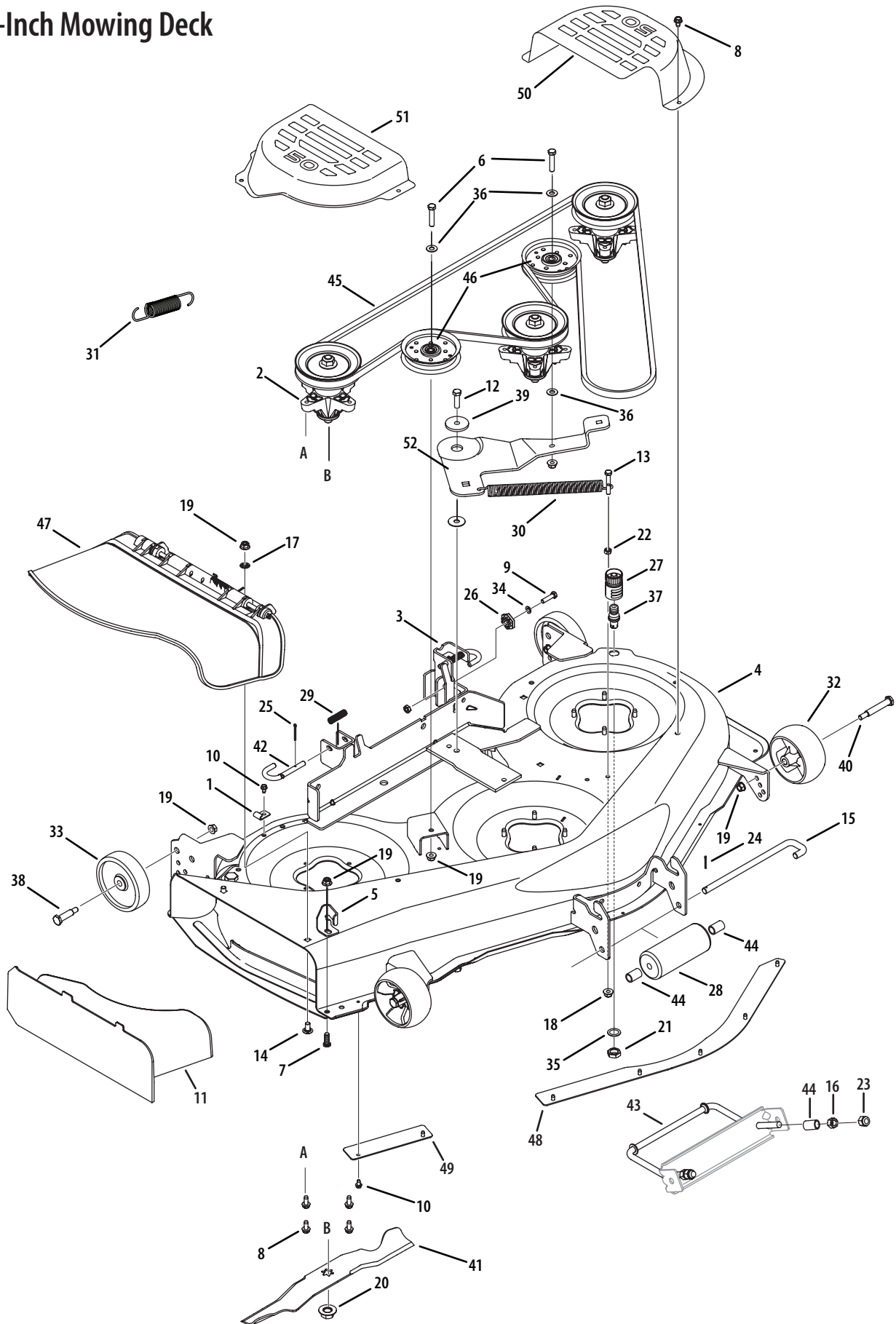
**Kohler V-Twin**

Ref.	Part Number	Description
1	683-04370	Muffler Shield Assembly
2	710-0227	Screw, #8-18, 0.500
3	710-04683	Screw, Hex, 3/8-16 x 1.00
4	710-0642	Screw, Hex, 1/4-20, 0.750
5	710-1314A	Screw, 5/16-18, 0.75
6	712-0271	Sems Nut, 1/4-20
7	721-0460	Exhaust Gasket, B&S Twin
	KH-20-041-12-S	Exhaust Gasket, Kohler Twin
8	725-0157	Cable, Tie, 3/16 x .05 x 7.4
9	726-0205	Hose Clamp
10	728-04000	Rivet, Pop, .188 x .325
11	751-0564B	Deflector, Muffler
12	751-10349	Fuel Line, Low Permeation
13	751-10353	Extension, Deflector
14	751-10517	Drain, Oil
15	751-10542	Muffler, Dual Inlet, B&S
	751-10528	Muffler, Dual Inlet, Kohler
16	751-3141	Extension Hose, Oil Drain

NOTE: Tractor features vary by model. NOT all parts listed above and pictured on the previous page are standard equipment.



# 50-Inch Mowing Deck

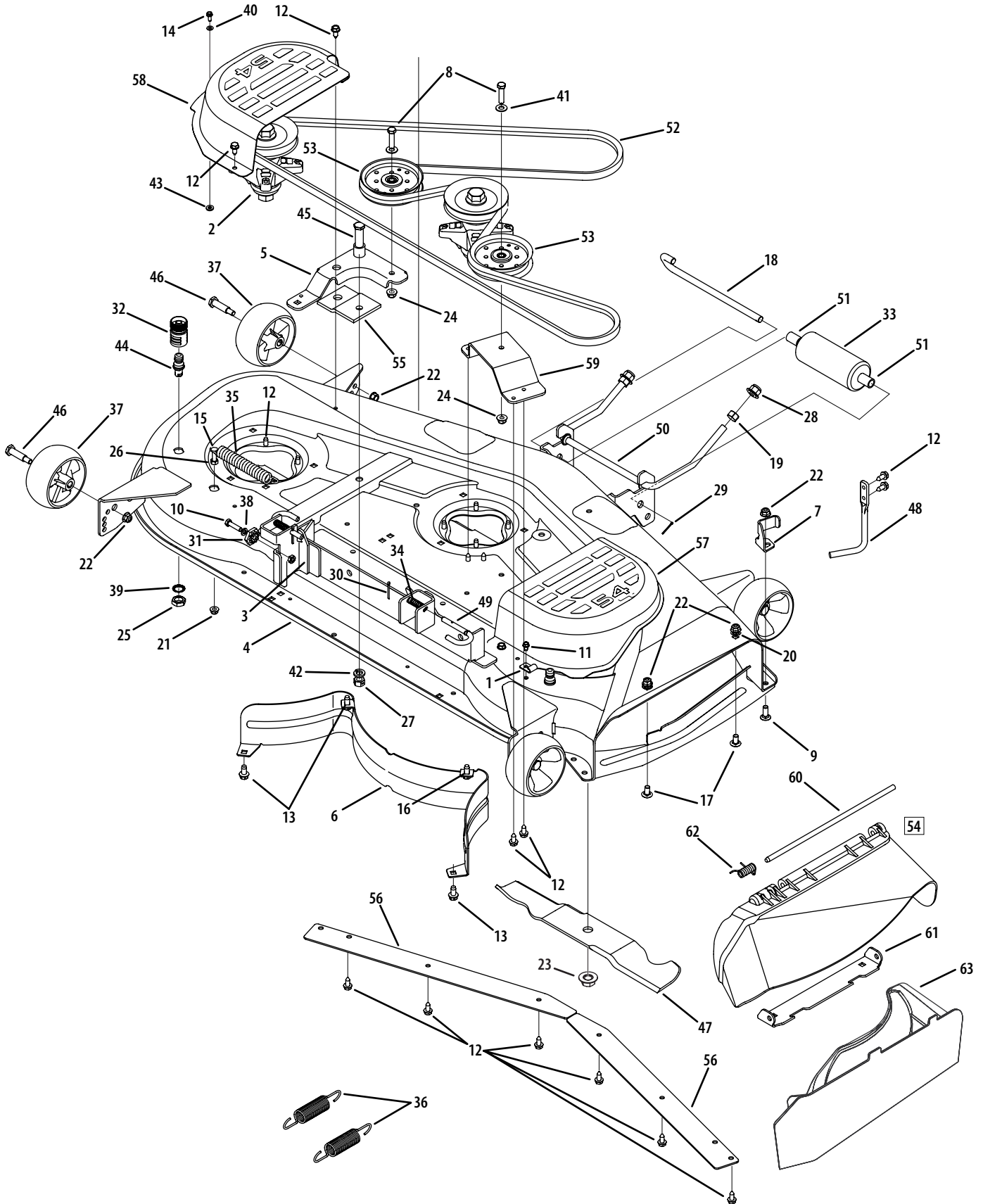


## 50-Inch Mowing Deck

Ref.	Part Number	Description	Ref.	Part Number	Description
1	16606	Hook, Retainer	27	721-04041	Coupler, Hose
2	618-04125A	Spindle Assembly	28	731-05679	Roller
3	683-0254B	Hanger Bracket Assembly	29	732-0306A	Spring, Compression, .531 x 1.75
4	683-04075B	Weldment, 50-inch Deck	30	732-0459C	Spring, Extension, .94 x 6.74
5	703-3279	Chute Stop	31	732-0934	Spring, Lift Assist
6	710-0347	Screw, 3/8-16, 1.75	32	734-04155	Deck Wheel, 5.0
7	710-04095	Screw, 3/8-16 x 1.0	33	734-0973	Deck Wheel, 5.0
8	710-04484	Screw, 5/16-18 x .75	34	736-0119	Washer, Lock, 5/16
9	710-0528	Screw, 5/16-18, 1.25, Gr5	35	736-0225	Lock Washer, 5/8"
10	710-0599	Screw, 1/4-20 x 0.5	36	736-0300	Washer, Flat, .406 x .875 x .059
11	731-04651	Mulch Plug	37	737-04003C	Port, Water
12	710-3005	Screw, 3/8-16, 1.25	38	738-0373	Shoulder Screw
13	710-3103	Screw, 5/16-18 x 2.00	39	738-04162A	Spacer, Shoulder, .884 x .190
14	710-3178	Screw, Carriage, 3/8-16 x .75	40	738-3056	Shoulder Screw
15	711-1737	Roller Pin	41	742-04053C	Blade, 17.90
16	712-0206	Hex Nut, 1/2-13	42	747-1116	Rod, Deck Release .375 Dia.
17	712-0229	Push Nut Retainer	43	747-1324	Rod, Deck Adjust
18	712-04063	Nut, Nylon Lock, 5/16-18	44	750-0151	Spacer, .550 x .750 x 1.125
19	712-04065	Nut, Nylon Lock, 3/8-16	45	754-04164	Belt, V-Type
20	712-0417A	Nut, Hex, Flange, 5/8-18	46	756-04129	Pulley, Idler, 3.5"
21	712-0641	Nut, Hex, M16-1.5	47	631-04070A	Chute Assembly, Side Discharge
22	712-3010	Nut, Hex, 5/16-18, Gr5	48	783-04414A	Deck Skirt, Center
23	712-3083	Hex Lock Nut, 1/2-13	49	783-04415	Deck Skirt, RH
24	714-0111	Pin, Cotter, 3/32 x 1.00	50	783-05280	LH Belt Cover
25	714-0470	Pin, Cotter, 1/8 x 1.25	51	783-05281	RH Belt Cover
26	717-04074	Deck Adjustment Gear	52	783-05303	Idler Bracket

NOTE: Tractor features vary by model. NOT all parts listed above and pictured on the previous page are standard equipment.

# 54-Inch Mowing Deck



## 54-Inch Mowing Deck

Ref.	Part Number	Description	Ref.	Part Number	Description
1	16606	Hook, Retainer Bracket	33	731-05679	Front Roller
2	618-04125A	Spindle Assembly	34	732-0306A	Spring,.531OD x 1.75
3	683-0254B	Hanger Bracket Assembly	35	732-04247	Spring, Ext.,.850 Dia. x 6.415
4	683-04482	54" Deck Weldment	36	732-0934	Spring, Lift Assist
5	683-04182	Idler Arm Assembly	37	734-04155	Deck Wheel
6	703-2093	Inner Rear Baffle	38	736-0119	Washer, Lock, 5/16
7	703-3279	Chute Deflector Stop	39	736-0225	Washer, Lock 5/8 Int. Tooth
8	710-0347	Screw, 3/8-16 x 1.75	40	736-0275	Washer, Flat,.344 x.688 x.065
9	710-04095	Screw, 3/8-16 x 1.0	41	736-0300	Washer, Flat,.406 x.875 x.059
10	710-0528	Screw, 5/16-18 x 1.25	42	736-0921	Washer, Lock, 1/2
11	710-0599	Screw, 1/4-20 x.500	43	736-3010	Washer, Flat, .407 x .812 x .135
12	710-04484	Screw, 5/16-18 x.500	44	737-04003D	Port, Water
13	710-0623	Screw, 3/8-16 x.750	45	738-1229A	Screw,.625 x 2.50 x 1/2-13
14	710-0650	Screw, 5/16-18 x.875	46	738-3056	Bolt, Shoulder, 3/8-16; 4.96 x 2.50
15	710-3103	Screw, 5/16-18 x 2.00	47	742-0677B	Blade, 18.5"
16	710-3168	Bolt, Carriage, 3/8-16 x 1.00	48	747-04384	Upstop Rod
17	710-3178	Bolt, Carriage, 3/8-16 x.750	49	747-1116	Rod, Deck Release Handle
18	711-1737	Pin, Roller,.5" Dia. x 10.06	50	747-1324	Adjustable Front Deck Rod
19	712-0206	Nut, Hex, 1/2-13	51	750-0151	Spacer,.550 ID x.755 OD x 1.1
20	712-0229	Push Nut, 3/8	52	754-0642	V-Belt
21	712-04063	Nut, Flange Lock, 5/16-18	53	756-04129	Pulley, Idler, 4.25" Dia.
22	712-04065	Nut, Flange Lock, 3/8-16	54	631-04070A	Chute Ass'y, Side Discharge
23	712-0417A	Nut, Flange, 5/8-18	55	783-04013A	Bracket, Stabilizer, Pulley
24	712-0431	Nut, Flange Lock, 3/8-16	56	783-04690A	Skirt, Deck
25	712-0641	Nut, Hex, M16-1.5	57	783-05492	Cover, Belt, RH
26	712-3010	Nut, Hex, 5/16-18	58	783-05493	Cover, Belt, LH
27	712-3022	Nut, Hex Lock, 1/2-13	59	783-04726	Bracket, Idler, Stationary
28	712-3083	Nut, Hex Lock, 1/2-13	60	711-04565	Hinge Pin
29	714-0111	Pin, Cotter, 3/32 x 1.00	61	783-05030	Chute Mounting Bracket
30	714-0470	Pin, Cotter, 1/8 x 1.25	62	732-04372	Torsion Spring
31	717-04074	Deck Adjustment Gear	63	731-04651	Mulch Plug
32	721-04041	Hose Coupler			

NOTE: Tractor features vary by model. NOT all parts listed above and pictured on the previous page are standard equipment.