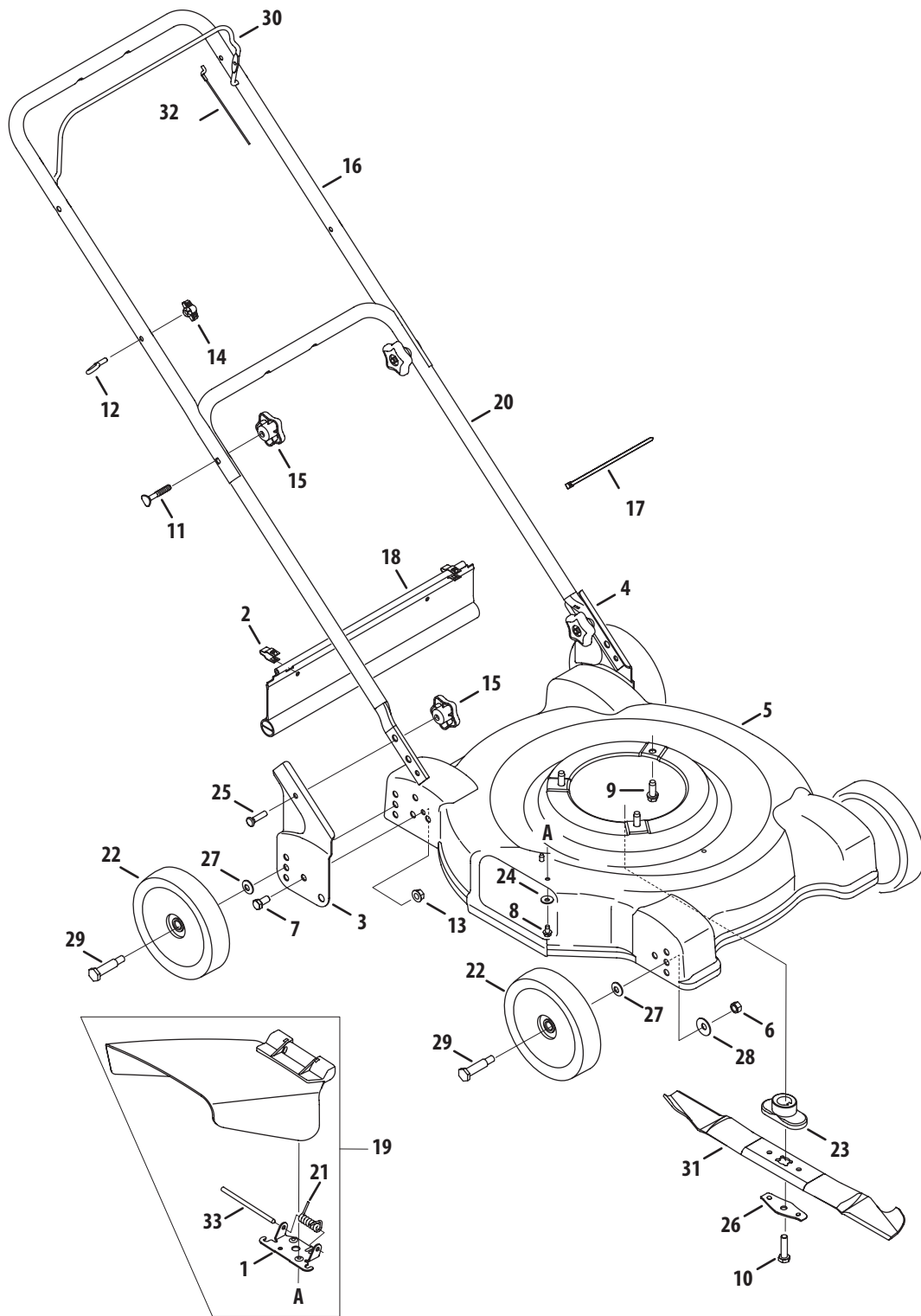


Model Series 070



Ref.	Part Number	Description
1	17032A	Chute Hinge
2	17098	Hinge Clip
3	687-02145	Handle Bracket Assembly - RH
4	687-02144	Handle Bracket Assembly - LH
5	787-01084A	Deck Assembly, 22"
6	712-3017	Hex Nut, 3/8-16
7	710-0216	Hex Cap Screw 3/8-16 x .75
8	710-0599	TT Screw 1/4-20 x 0.5"
9	710-0654A	TT Screw 3/8-16 x 1.0
10	710-1044	Hex Cap Screw 3/8-24 x 1.5
11	710-1174	Carriage Bolt 5/16-18 x 2.0
12	710-1205	Eye Bolt
13	712-04065	Lock Nut 3/8-16
14	720-0279	Wing Nut
15	720-04072	Star Knob
16	749-1092A	Upper Handle
17	725-0157	Cable Tie
18	731-04019	Trail Shield
19	731-1034B	Hinged Chute Deflector Assembly
20	749-04037	Lower Handle
21	732-1014	Torsion Spring
22	734-04063	Wheel
23	748-0376C	Blade Adapter
24	736-0270	Bell Washer .265 ID x .75 OD
25	710-1694	Clinch Stud
26	736-0524B	Blade Bell Support
27	736-0105	Bell Washer, .375 x .870 x .063
28	736-0331	Bell Washer, .390 x 1.13 x .062
29	738-0533	Shoulder Screw, .498 x 1.635
30	747-1161A	Blade Control
31	742-0642A	Standard Blade, 22"
32	746-0957	Blade Control Cable - 37.25"
33	747-0710	Hinge Pin