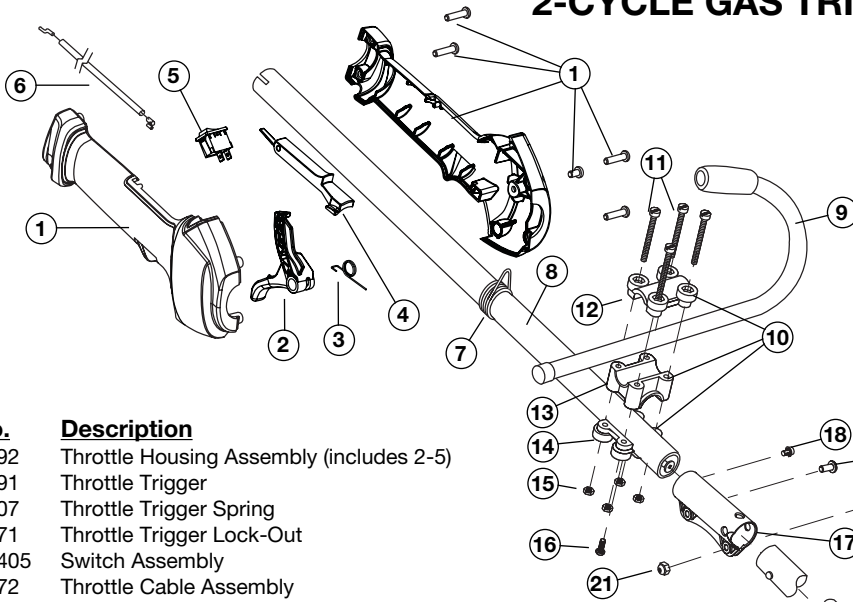


PARTS LIST

REPLACEMENT PARTS - MODEL 2-CYCLE PRO-LINE
2-CYCLE GAS TRIMMER/ BRUSHCUTTER



Item	Part No.	Description
1	753-05192	Throttle Housing Assembly (includes 2-5)
2	753-04991	Throttle Trigger
3	753-05007	Throttle Trigger Spring
4	753-05171	Throttle Trigger Lock-Out
5	791-182405	Switch Assembly
6	753-05172	Throttle Cable Assembly
7	791-610327	Harness Clip
8	753-04236	Upper Drive Shaft Housing Assembly
9	791-181099	J-Handle Assembly
10	791-683295	Handle Bracket Assembly (includes 11-16)
11	791-181811	Screw
12	791-181812	Upper Handle Clamp
13	791-181813	Middle Handle Clamp
14	791-181814	Lower Handle Clamp
15	791-181815	Nut
16	791-182519	Anti-Rotation Screw
17	753-1190	Split Boom Coupler (includes 18-21)
18	791-182057	Screw
19	791-181617	Bolt
20	791-181981	Adjustment Knob (includes 21)
21	753-04386	Knob Retaining Nut
22	791-182541	Lower Drive Shaft Housing Assembly
23	791-613300	Lower Flexible Drive Shaft
24	791-182200	Shield Mount Screw Assembly
25	791-182193	2 piece Gearbox Assembly (includes 26-29)
26	791-182195	Gearbox Mounting Hardware
27	791-182519	Anti-Rotation Screw
28	791-182196	Blade Driver
29	753-04348	Palnut
30	791-147492	Blade Shield/Shield Mount
31	791-683304	Shield Mounting Screw
32	753-1191	Shield Assembly (includes 33)
33	791-682061	Blade Assembly
34	791-147490	Retaining Washer
35	791-612483	Spool Shaft
36	791-683301	Outer Spool Assembly (includes 37)
37	791-612026	Retainer
38	791-610636B	Spring
39	791-147495	Inner Reel
40	791-180814B	Bump Head Knob Assembly
41	791-145873B	4-Tooth Blade
42	791-181699	Nut
*	791-180014B	Blade Retaining Kit (includes 34 & 42)
*	791-613226	Locking Rod Tool
*	791-682075B	Shoulder Harness

Optional Accessories

- * 753-04216 Replacement Line, 0.105 Diameter
- * 753-1224 Reel and Line Assembly
- * 753-1161 Bump Head Assembly (includes 35-40)

* Items Not Shown

