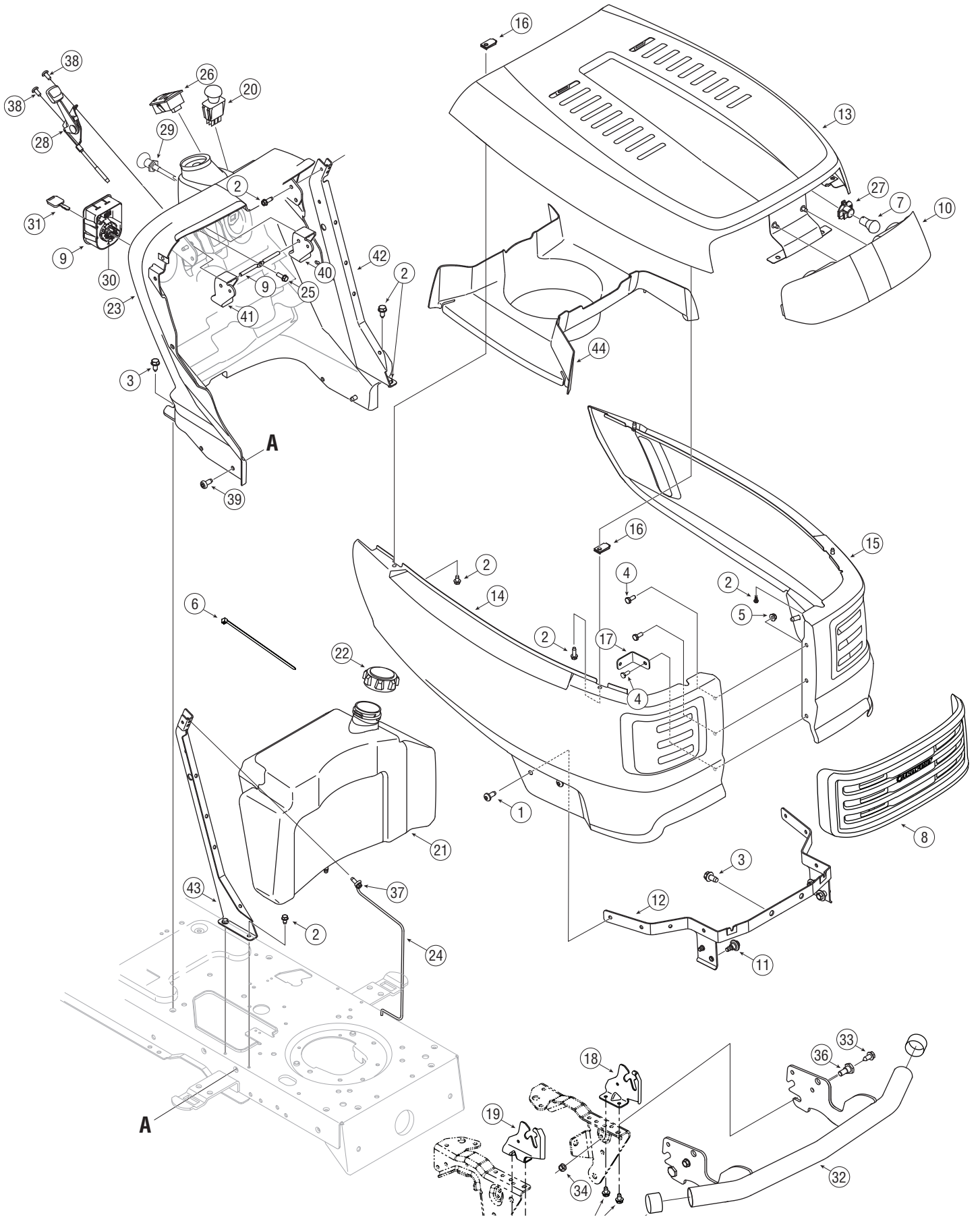


Model Series 80T

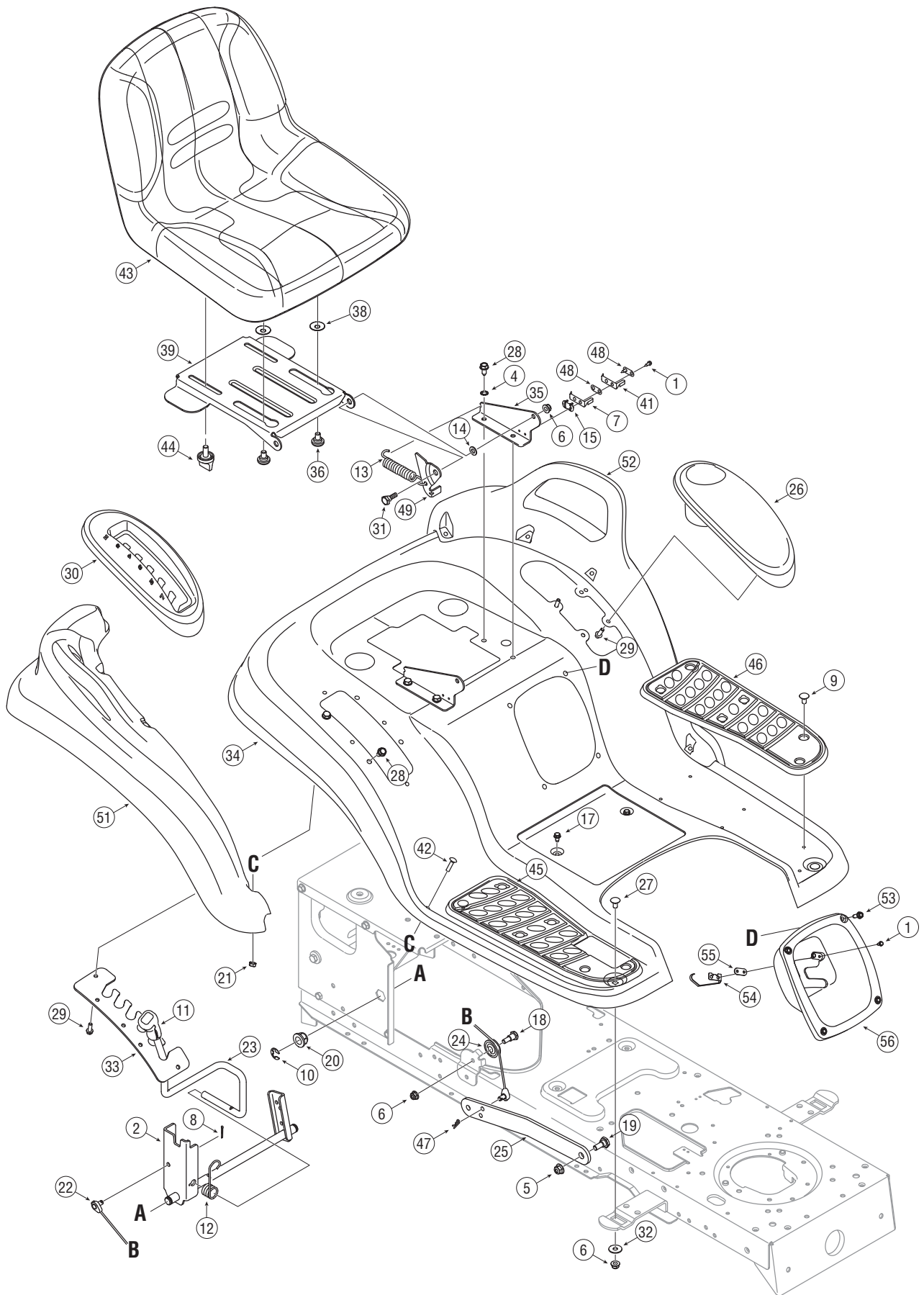


Ref. No.	Part No.	Description
1	710-04593	Screw, 5/16-18, .375
2	710-0599	Screw, 1/4-20, 0.500
3	710-0607	Screw, 5/16-18, 0.500
4	710-0751	Screw, 1/4-20, 0.620
5	712-04064	Flange Lock Nut, 1/4-20
6	725-0157	Cable Tie, 3/16 x .05 x 7.4
7	725-0963	Headlamp, 12V
8	731-05745	Troy-Bilt Grill Insert
9	747-1196	Bent Lever Rod
10	731-05357	Troy-Bilt Lens
11	738-04091	Screw, Shldr, .43 x .29, 5/16-18
12	783-04606B	Pivot Bracket
13	783-04827	Troy-Bilt Hood
14	783-04828	Troy-Bilt Side Panel, RH
15	783-04829	Troy-Bilt Side Panel, LH
16	783-05223	T-Style Hood Fastener
17	783-05315	Front Hood Bracket
18	783-04841	Hood Pivot Bracket, LH
19	783-04840	Hood Pivot Bracket, RH
20	725-04174	Electric PTO Switch
21	751-10283A	Fuel Tank, 3 gal. TB
22	751-0603	Fuel Tank Cap
23	731-05005B	Dash Panel
24	747-04161	Gas Tank Support Rod
25	710-0895	Screw, 1/4-15, .750

Ref. No.	Part No.	Description
26	725-04036C	Hour Meter Indicator
27	725-1649	Lamp Socket
28	746-04365	Throttle Control, 39.0 Lg.
29	746-04132	Choke Control
30	725-04227B	Module, Ignition Switch
31	725-1744	Key
	725-1745	Key w/ Plastic Grip
32	683-04219A	Bumper Assembly
33	710-0726	Screw, 5/16-12, 0.750
34	712-04065	Flange Lock Nut, 3/8-16
35	731-05674	Bumper Cap
36	738-0143	Shoulder Bolt, 3/8-16
37	710-0642	Screw, 1/4-20, 0.750
38	710-1017	Screw, 1/4-14, 0.625
39	710-1611B	Screw, 5/16-18, 0.750
40	731-04728	Dash Brake Lever
41	731-04729	Dash Cruise Lever
42	783-04323D	Dash Support, LH
43	783-04285E	Dash Support, RH
—	725-04404	Wire Harness
—	629-04083A	Headlight Wire Harness
—	777X42316	Headlight Lens Reflector Center
—	777X42188	Headlight Lens Reflector RH
—	777X42187	Headlight Lens Reflector LH
44	731-05979	Plenum, Hood

NOTE: Tractor features vary by model. NOT all parts listed above and pictured on the previous page are standard equipment.

Model Series 80T

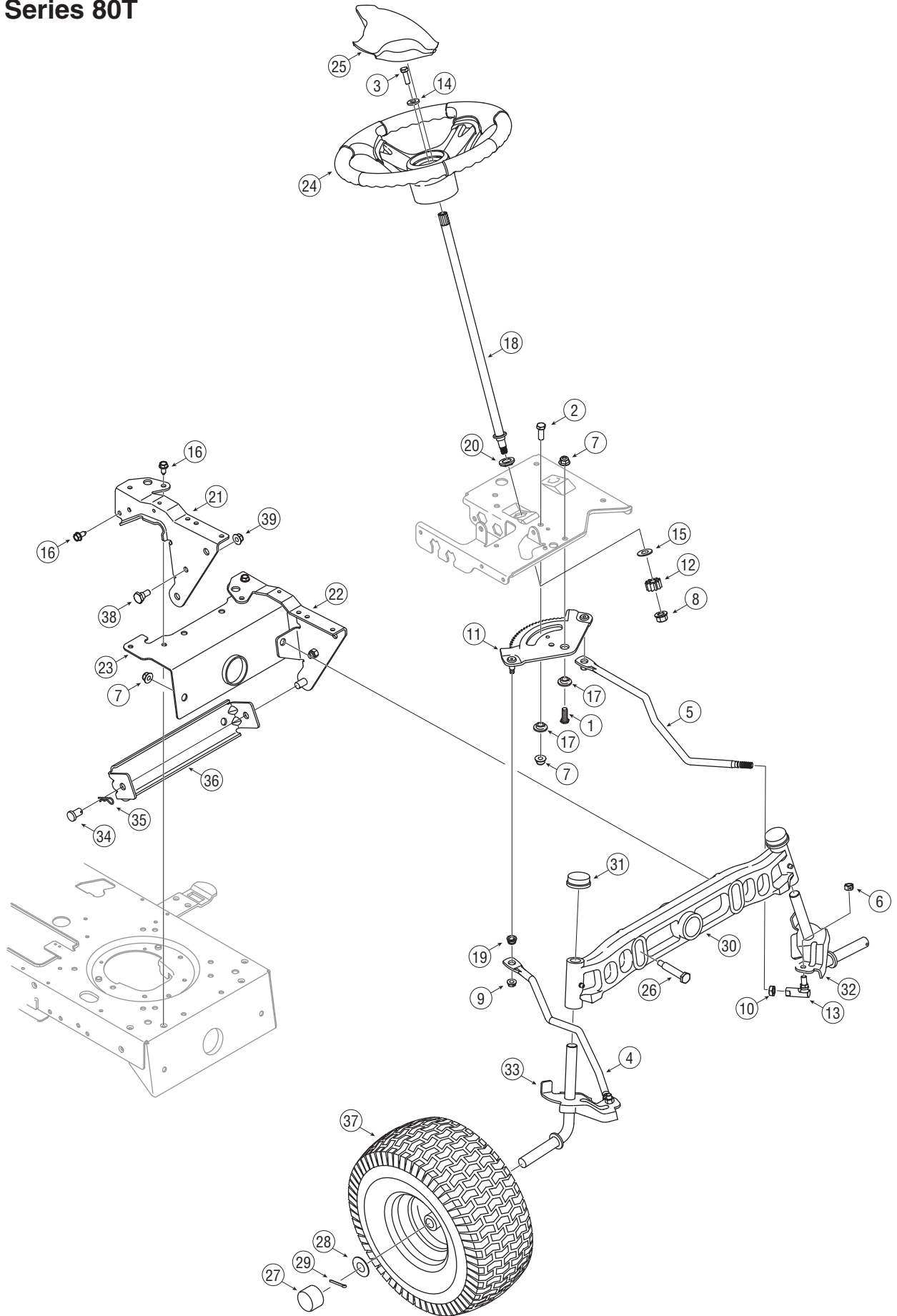


Ref. No.	Part No.	Description
1	710-0227	Screw, #8-18 x.500
2	683-04223	Lift Shaft Assembly
3	736-0204	Washer, Flat, .344 x .62 x .033
4	736-0607	Lock Washer, 5/16
5	712-04065	Flange Lock Nut, 3/8-16
6	712-04063	Flange Lock Nut, 5/16-18
7	725-1439	Inner Seat Spring Switch
8	714-0104	Hairpin Clip
9	726-3046	Foot Pad Clips
10	716-0106A	E-Ring
11	720-0311	Handle Grip
12	732-0874	Torsion Spring
13	732-1184	Extension Spring,.84 x 4.6
14	736-0242	Flat Washer
15	726-0278	Insulator Boss Plate
16	736-3019	Flat Washer,.31 x 1.062 x.134
17	710-0599	Screw, 1/4-20 x.500
18	738-0138A	Hex Cap Screw, 5/16-18 x.62
19	738-0380	Shoulder Screw, 3/8-16
20	741-0225	Hex Flange Bearing
21	712-0271	Sems Nut 1/4-20
22	746-0968	Lift Cable, 16.16
23	747-04447	Lift Handle
24	756-1154	Roller Pulley
25	783-05546	Arm Lift
26	731-1993A	Cover w/ Cup Holder
27	710-0451	Carriage Bolt, 5/16-18 x.750
28	710-0604A	Self-tapping Screw, 5/16-18 x.625

Ref. No.	Part No.	Description
29	710-0895	Self-tapping Screw, 1/4-15 x.75
30	731-1990	Lift Lever Cover
31	738-0296	Shoulder Screw,.437 x.286
32	736-3078	Flat Washer,.349 x 1.0 x.063
33	783-0677B	Lift Adjustment Bracket
34	783-04331A	Fender 4 Style 2-Speed
35	783-1489C	Seat Mounting Bracket
36	738-04012A	Shoulder Screw, 3/8-16
37	712-04064	Flange Lock Nut, 1/4-20
38	736-0300	Flat Washer,.406 x .875 x .059
39	783-04081B	Seat Pivot Bracket
40	732-0499	Compression Spring,.41 x 1.5
41	725-1303	Outer Seat Spring Switch
42	710-0932	Carriage Screw 1/4-20 x 1.00
43	757-04003A	High Back Seat, Black
44	720-04061	Adjustment Knob, 3/8-16 x .875
45	735-0656	RH Foot Pad
46	735-0657	LH Foot Pad
47	714-0111	Cotter Pin
48	726-0279	Insulator Plate
49	783-0209D	Seat Lift Bracket
50	726-0201	Speed Clip
51	731-2618	RH Fender Flare
52	731-2619	LH Fender Flare
53	710-0642	Screw, 1/4-20 x.750
54	725-1713	Spring Switch
55	726-0320	Insulator Plate
56	731-2480A	Shift Cover

NOTE: Tractor features vary by model. NOT all parts listed above and pictured on the previous page are standard equipment.

Model Series 80T

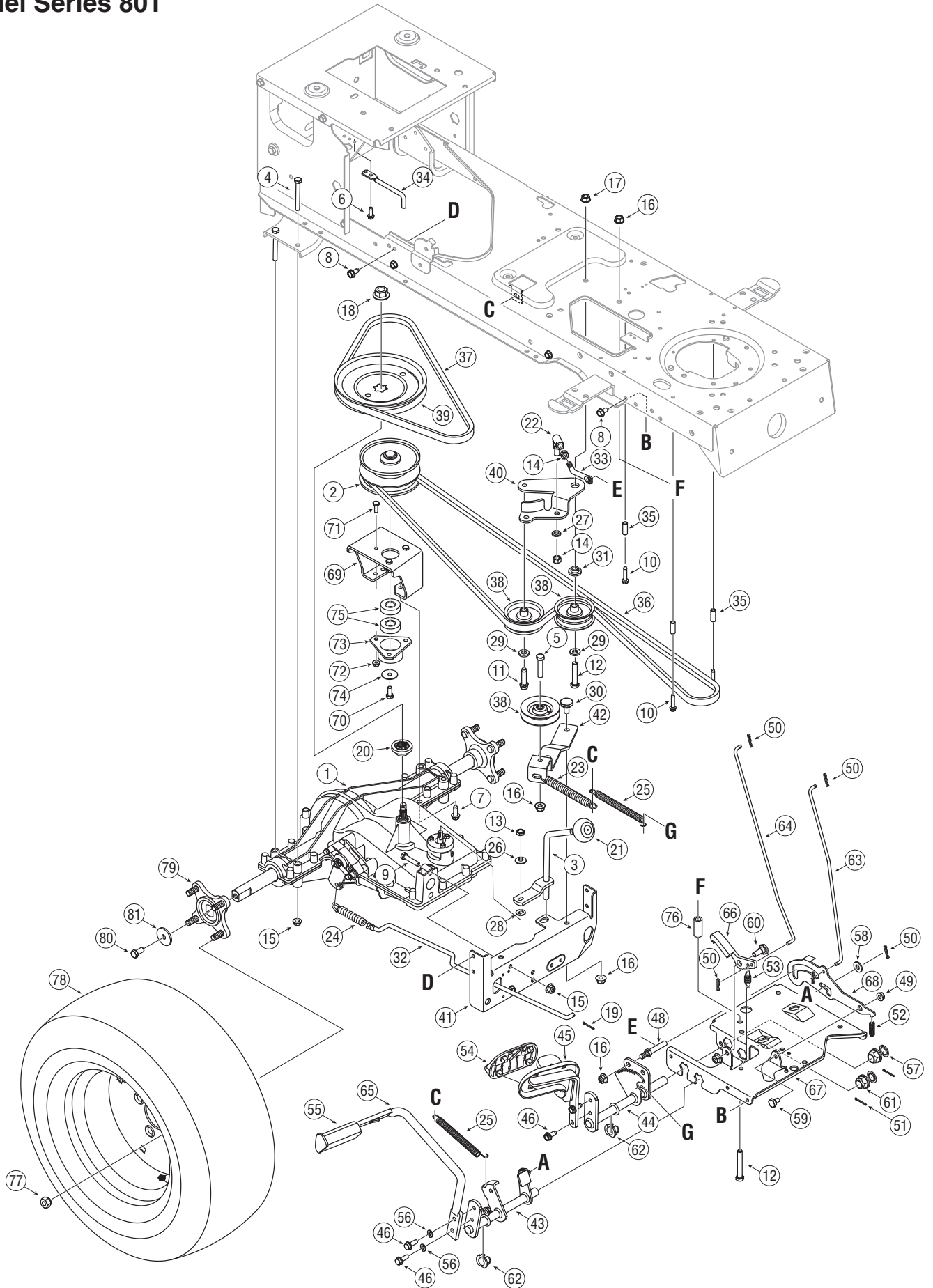


Ref. No.	Part No.	Description
1	710-04095	Hex Screw, 3/8-16, 1.00, Gr5
2	710-0514	Hex Screw, 3/8-16, 1.00, Gr5
3	710-0643	Hex Screw, 5/16-18, 1.00, Gr5
4	711-1408	Link, Drag, RH
5	711-1409A	Link, Drag, LH
6	712-0214	Nut, Hex Lock, 3/8-24
7	712-04065	Nut, Flange Lock, 3/8-16
8	712-0459	Nut, Flange Lock, 7/16-20
9	712-3004A	Nut, Flange Lock, 5/16-18, Gr5
10	712-0240	Nut, Jam, 7/16-20, Gr2
11	717-1550E	Gear, Steering, 11/90 Ratio
12	717-1554	Gear, Pinion, Steering
13	723-0448A	Ball Joint, 7/16-20, Lock
14	736-3004	Washer, Flat,.406 x.875 x.105
15	736-3084	Washer, Flat,.51 x 1.12 x.06
16	710-1260A	Screw, 5/16-18, 0.750
17	738-04154	Spacer, Shoulder,.38 x 1.00 x.31
18	738-1001A	Shaft, Steering,.625 OD x 24.25
19	741-0475	Plastic Bushing.380 ID
20	741-0656A	Hex Flange Bearing 5/8 PM
21	783-0726E	Pivot Bracket, Support RH

Ref. No.	Part No.	Description
22	783-0727D	Pivot Bracket, Support LH
23	783-0728B	Pivot Bracket, Bar
24	631-04008	Steering Wheel, 13.25
25	731-04066A	Steering Wheel Cover
26	738-1011A	Shoulder Screw,.5 x 2.2, 3/8-16
27	731-05674	Cap
28	736-04228	Flat Washer, .781 x 1.589
29	714-04039	Cotter Pin, 5/32 x 1.25
30	719-04105	Cast Iron Pivot Bar
31	726-0341	Push Cap
32	638-04003A	LH Axle Assembly,.750
33	638-04004A	RH Axle Assembly,.750
34	711-0332	Pin, Clevis,.50 x.78
35	714-04023	Cotter Pin, Int., .080 x 1.5625
36	783-0720A	Adjustment Bracket, Front
37	634-04088A	Wheel Assembly Complete,
	734-04148	Tire Only 16 x 7.5 x 8
	634-04082	Rim Only w/ Valve Stem
38	738-0143	Screw, Shldr,.498 x.340, 3/8-16
39	712-0431	Flange Lock Nut, 3/8-16

NOTE: Tractor features vary by model. NOT all parts listed above and pictured on the previous page are standard equipment.

Model Series 80T

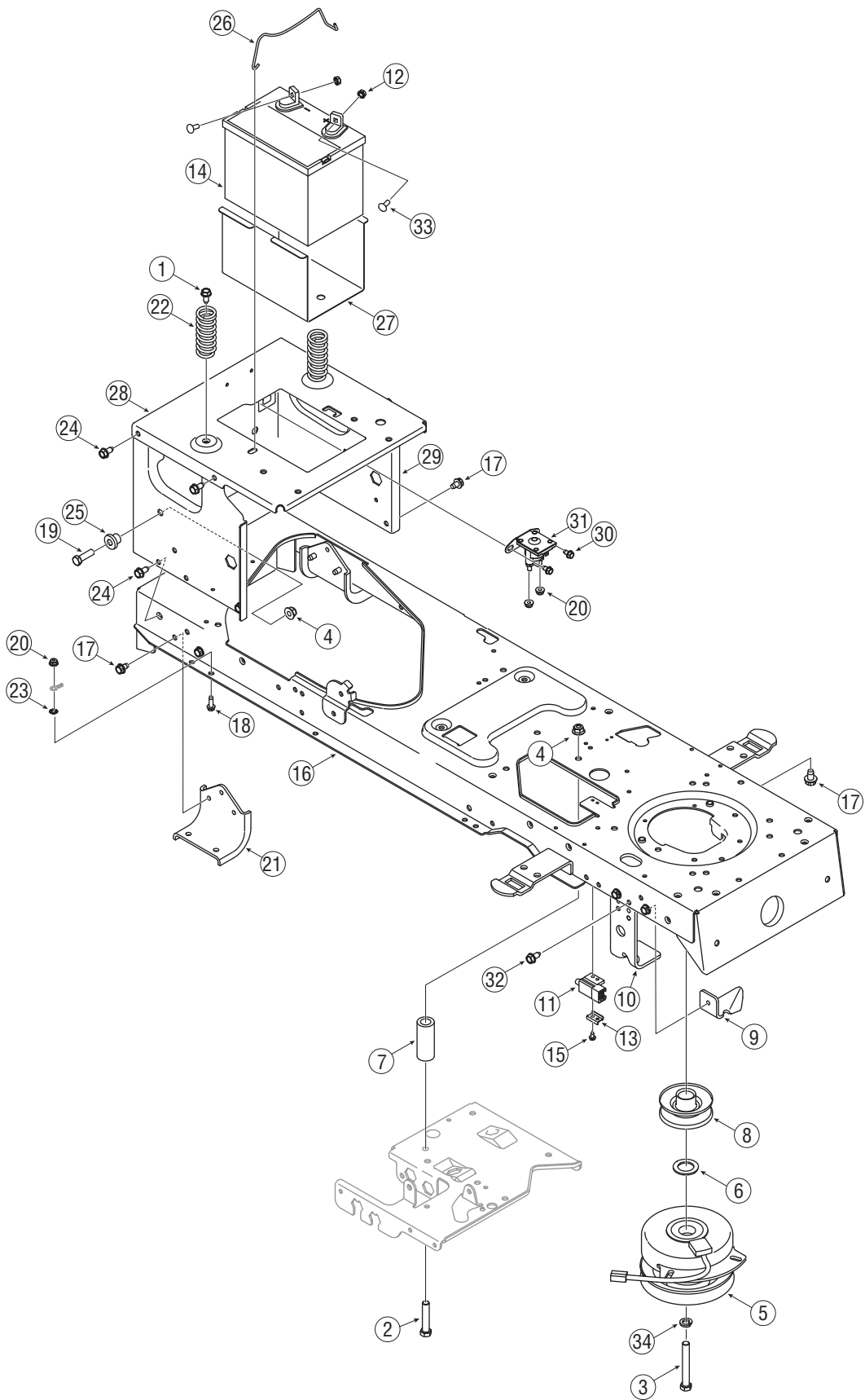


Ref. No.	Part No.	Description
1	618-0376A	Transmission Assembly, 2-Speed
2	656-04015	Variable Speed Pulley Assembly
3	647-04023A	Rod Assembly, Shift, 2-Speed
4	710-0176	Screw, 5/16-18, 2.75, Gr5
5	710-0347	Screw, 3/8-16, 1.75, Gr5
6	710-0642	Screw, 1/4-20, 0.750
7	710-0650	Screw, 5/16-18, 0.875
8	710-0726	Screw, 5/16-12, 0.750
9	710-0805	Screw, 5/16-18, 1.50, Gr5
10	710-0809	Screw, 1/4-20, 1.250
11	710-1007	Screw, Sems, 3/8-16, 1.500
12	710-3011	Screw, 3/8-16, 2.25, Gr5
13	712-0181	Nut, Jam Lock, 3/6-16
14	712-0241	Nut, Hex, 3/8-24, Gr5
15	712-04063	Nut, Flange Lock, 5/16-18
16	712-04065	Nut, Flange Lock, 3/8-16
17	712-0431	Nut, Flange Lock, 3/8-16, GrF,
18	712-0702	Nut, Flange, 7/16-20, Gr2
19	714-0507	Pin, Cotter, 3/32 x.750
20	718-0771A	Hub, Pulley, 1/2 Spline
21	720-04028	Knob, Shift
22	723-3018	Ball, Joint
23	732-0478	Extension, Spring 6.12
24	732-0716C	Spring, Extension,.59 OD x 4.00
25	732-0963	Spring, Extension,.50 Dia x 6.37
26	736-0105	Washer, Bell,.375 x.870 x.063
27	736-0169	Washer, Lock, 3/8, Regular Duty
28	736-0642	Washer, Flat,.44x.75x.06, Ht Spcl
29	736-3010	Washer, Flat,.407x.812x.135, Ht
30	738-0322A	Screw, Shoulder,.625 Dia x.217
31	738-0372B	Spacer, Shoulder, 1.00 x.38 x.38
32	747-04136	Brake Rod
33	747-1127	Adjustment Rod, Idlr, 3/8
34	747-1185A	Rod, Belt Guard
35	750-0566A	Spacer,.260 x.372 x 1.030
36	754-0467	Belt, V-Type
37	754-0468	Belt, V-Type
38	756-04224	Pulley, Flat Idler, 2.75
39	756-0665	Pulley, V-Type, 8.50
40	783-04442	Idler Bracket, Center Double
41	783-0667B	Torque Bracket, Transmission,
42	783-0669	Bracket, Idler

Ref. No.	Part No.	Description
43	647-04100	Control Assembly, Brake
44	647-0032A	Control Assembly, Speed
45	683-0266	Pedal Assembly, Control
46	710-1260A	Screw, 5/16-18, 0.750
47	710-1611B	Screw, 5/16-18, 0.750
48	711-04159B	Pin, 3/8-16 x 2.68
49	712-3004A	Nut, Flange Lock, 5/16-18, Gr5
50	714-0104	Pin, Cotter,.072 Dia. x 1.13
51	714-0111	Pin, Cotter, 3/32, 1.0
52	732-0335	Spring, Compression,.405 x 1.17
53	732-0955	Spring, Extension,.50 OD x 1.41
54	735-0662	Pad, Drive Control
55	735-3049A	Pad, Brake
56	736-0119	Washer, Lock, 5/16, Regular Duty
57	736-0187	Washer, Flat,.64 x 1.24 x.06
58	736-0262	Washer, Flat,.385 x.870 x.092
59	738-0155	Shoulder Screw.437 Dia x.162
60	738-0380	Screw, Shoulder,.50 x.27, 3/8-16
61	741-0225	Bearing, Hex Flange
62	741-3065B	Bearing, Hex Flange,.628 ID, Split
63	747-04093A	Control Rod, Brake Lock
64	747-04096	Control Rod, Cruise
65	747-04641	Pedal, Brake
66	748-04039C	Latch, Cruise
67	783-04612	Bracket, Steering Support
68	783-0732A	Bracket, Lockout
69	618-04200	Pulley Bracket
70	710-0627	Screw, 5/16-24,.75
71	710-3015	Screw, 1/4-20,.75
72	712-3027	Nut, Flange Lock, 1/4-20
73	718-04012	Bearing Cup
74	736-0362	Washer, Flat, .330 x 1.25 x .06
75	741-0124	Ball Bearing
76	748-0415B	Spacer,.385 x.635 x 1.54
77	712-3050	Lug Nut, 7/16-14
78	634-0202A	Wheel Assembly, 23 x 10.5 x 12
	734-04147	Tire, 23 x 10.5 x 12
	634-3178	Rim Assembly
79	618-04317	Wheel Hub Assembly
80	710-3119	Hex Head Screw, 3/8-16
81	736-0227	Washer, Flat, .390 x 1.50 x .134

*Not Shown

Model Series 810

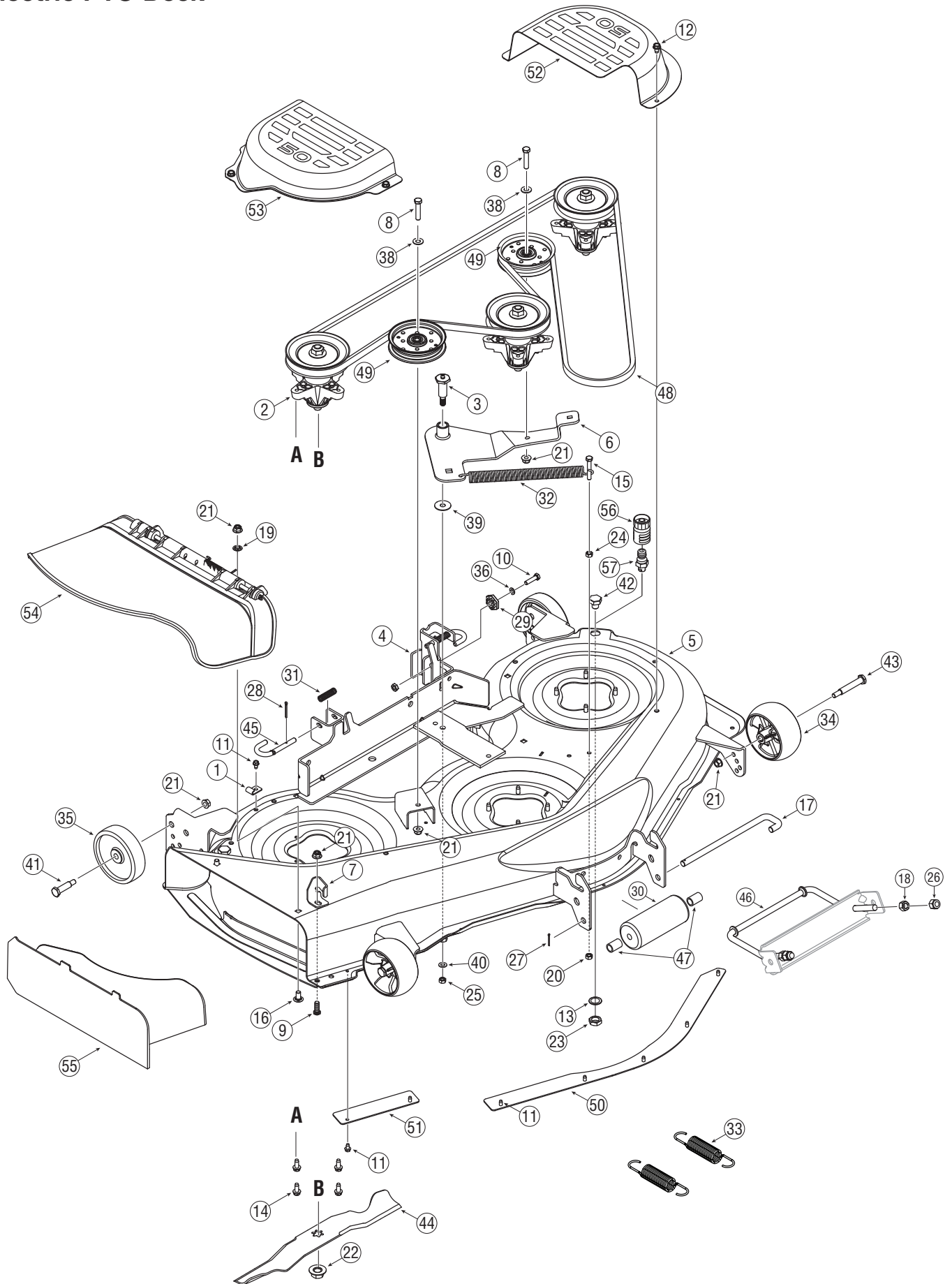


Ref. No.	Part No.	Description
1	710-1260A	Screw, 5/16-18 x 0.75
2	710-3011	Screw, 3/8-16, 2.25, Gr5
3	710-04379A	Screw, 7/16-20, 3.50, Gr5, Lock
4	712-04065	Nut, Flange Lock, 3/8-16
5	717-04174A	PTO Clutch, Electric
6	736-0277	Washer, Flat, 1.031 x 1.620 x.095
7	748-0415B	Spacer,.385 ID x.635 OD x 1.54
8	756-0639A	Pulley, Engine, 3.56 Diameter
9	783-04419B	Clutch Bracket
10	783-04467	Deck Bracket, Up-Stop
11	725-04039	Switch
12	712-0271	Nut, Sems, 1/4-20
13	17962	Switch Plate
14	725-1750A	Battery, 235 CCA
15	710-0224	AB Screw, #10-16 x.500
16	683-04173B	Frame Assembly, Lower
17	710-0607	Screw, 5/16-18, 0.500

Ref. No.	Part No.	Description
18	710-0642	Screw, 1/4-20, 0.750
19	710-3005	Screw, 3/8-16, 1.25, Gr5
20	712-04064	Nut, Flange Lock, 1/4-20
21	783-0693	Axle Bracket
22	732-04035	Spring, Compress., 1.28 x 3.125
23	736-0222	Washer, Lock, 1/4, External
24	710-0604A	Screw, 5/16-18, 0.625
25	738-04058	Spacer, Shoulder,.38 x 1.0 x.70
26	747-04121A	Hold Rod, Battery
27	783-0349	Battery Tray
28	783-04329A	Seat Bracket, Frame
29	783-04811D	Frame, Upper
30	710-0599	Screw, 1/4-20, 0.50
31	725-04439	Solenoid, 12V, 100 Amp
32	710-0726	Screw, 5/16-12 x .750
33	710-04666	Hex Flange Bolt, 1/4-20,.75
34	736-0171	Lock Washer, 7/16

NOTE: Tractor features vary by model. NOT all parts listed above and pictured on the previous page are standard equipment.

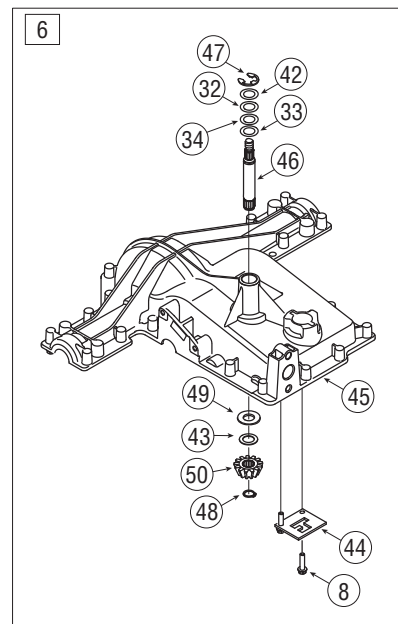
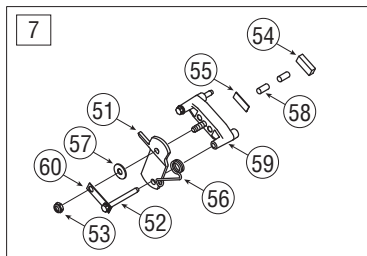
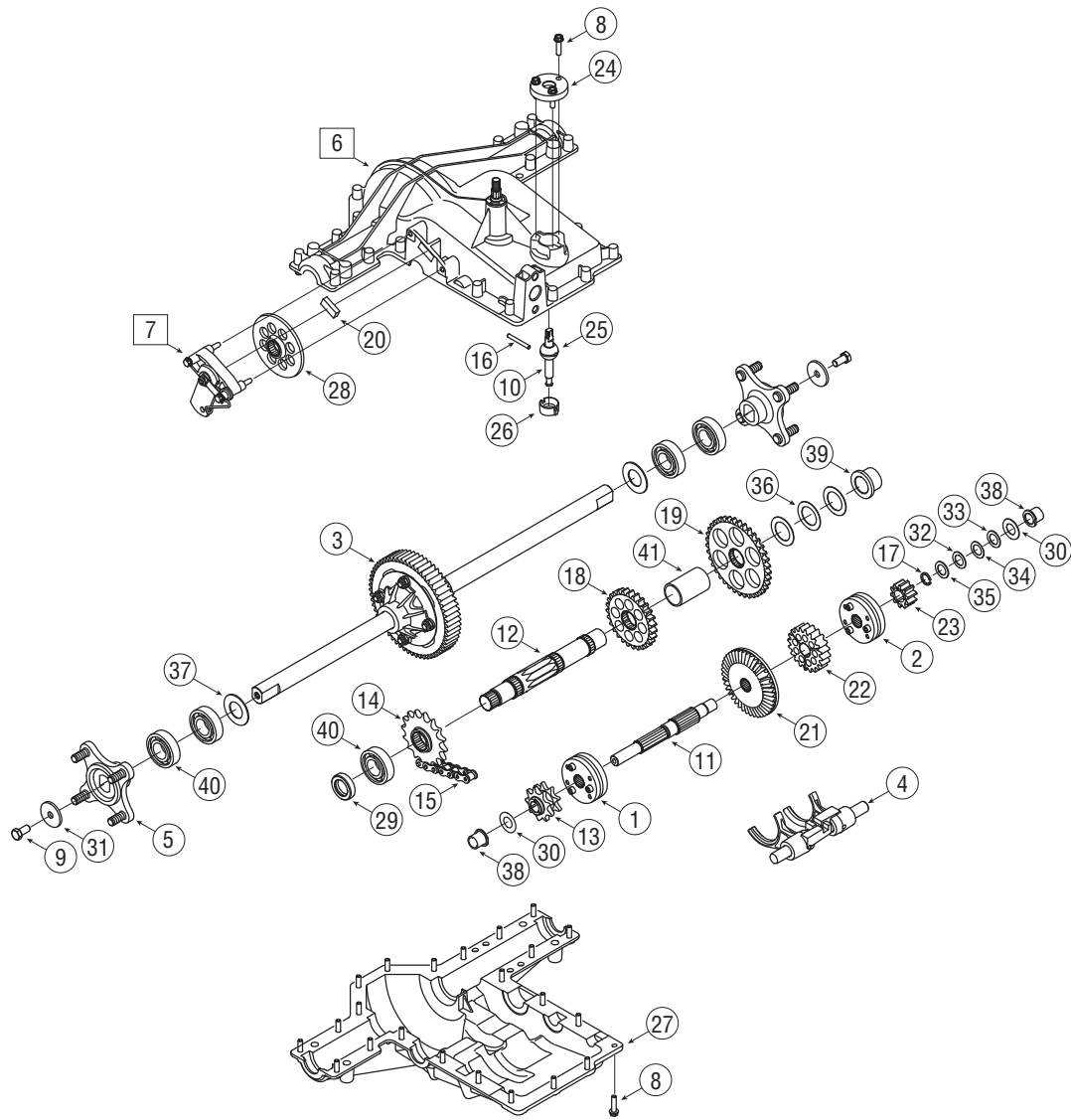
50" Electric PTO Deck



Ref. No.	Part No.	Description
1	16606	Hook, Retainer
2	618-04126A	Spindle Assembly
3	638-04012A	Shoulder Bolt
4	683-0254B	Hanger Bracket Assembly
5	683-04109B	50-inch Deck Assembly
6	683-04239	Idler Assembly, 50" Deck
7	703-3279	Chute Stop
8	710-0347	Screw, 3/8-16, 1.75
9	710-04095	Screw, 3/8-16 x 1.0
10	710-0528	Screw, 5/16-18, 1.25, Gr5
11	710-0599	Screw, 1/4-20 x 0.5
12	710-0607	Screw, 5/16-18 x .75
13	736-0225	Washer, Lock, 5/8 Internal Tooth
14	710-1260A	Screw, 5/16-18 x .75
15	710-3103	Screw, 5/16-18 x 2.00
16	710-3178	Screw, Carriage, 3/8-16 x .75
17	711-1737	Roller Pin
18	712-0206	Hex Nut, 1/2-13
19	712-0229	Push Nut Retainer
20	712-04063	Nut, Nylon Lock, 5/16-18
21	712-04065	Nut, Nylon Lock, 3/8-16
22	712-0417A	Nut, Hex, Flange, 5/8-18
23	712-0641	Nut, Hex, M16-1.5
24	712-3010	Nut, Hex, 5/16-18, Gr5
25	712-3019	Hex Nut, 7/16-14
26	712-3083	Hex Lock Nut, 1/2-13
27	714-0111	Pin, Cotter, 3/32 x 1.00
28	714-0470	Pin, Cotter, 1/8 x 1.25
29	717-04074	Deck Adjustment Gear

Ref. No.	Part No.	Description
30	731-3005	Roller
31	732-0306A	Spring, Compression, .531 x 1.75
32	732-0459B	Spring, Extension, .94 x 6.74
33	732-0934	Spring, Extension, 1.5 x 5.99
34	734-04155	Deck Wheel, 5.0
35	734-0973	Deck Wheel, 5.0
36	736-0119	Washer, Lock, 5/16
37	736-0225	Washer, Lock, 5/8"
38	736-0300	Washer, Flat, .406 x .875 x .059
39	736-0406	Washer, Flat, .442 x 1.38 x .060
40	736-0407	Washer, Bell, .45 x 1.00 x .062
41	738-0373	Shoulder Screw
42	738-04146	Bolt, Plug, M16 x 1.5
43	738-3056	Shoulder Screw
44	742-04053B	Blade, 17.90
45	747-1116	Rod, Deck Release .375 Dia.
46	747-1324	Rod, Deck Adjust
47	750-0151	Spacer, .550 x .750 x 1.125
48	754-04107	Belt, V-Type, Aramid
49	756-04129	Pulley, Idler, 3.5"
50	783-04414A	Deck Skirt, Center
51	783-04415	Deck Skirt, RH
52	783-05280	LH Belt Cover
53	783-05281	RH Belt Cover
54	631-04070A	Chute Assembly, Side Discharge
55	731-04651	Mulch Plug
56	721-04041	Coupler, Hose
57	737-04003C	Port, Water

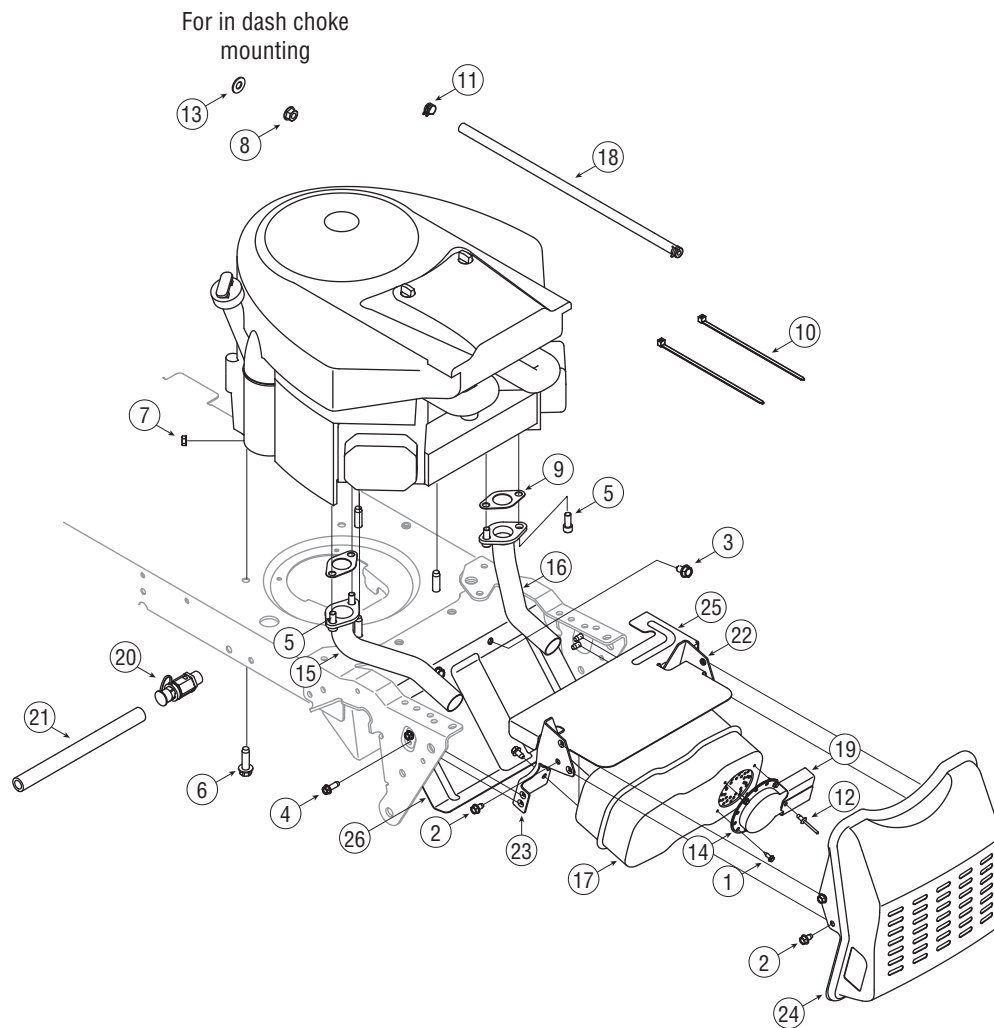
NOTE: Tractor features vary by model. NOT all parts listed above and pictured on the previous page are standard equipment.



Ref. No.	Part No.	Description
1	618-0225	Reverse Collar Assembly
2	618-0226	Hi-Lo Collar Assembly
3	918-04142	Differential Axle Assembly
4	918-04156	Shift Fork Assembly
5	918-04317	Wheel Hub Assembly
6	619-04081	Upper Housing
7	961-0012	Brake Assembly
8	710-0788	Screw 1/4-20 x 1.0
9	710-3119	Lock bolt 3/8-16 x 0.75
10	711-04215	Shift lever
11	711-1051A	Drive Shaft
12	711-1216	Output Shaft
13	913-0446	9-tooth Sprocket
14	913-0447	16-tooth Sprocket
15	913-0448	22-link Chain,.625
16	715-04017A	Dowel Pin
17	916-0131	External Snap Ring
18	717-04109	27-tooth Spur Gear
19	717-04110	37-tooth Spur Gear
20	917-0678	Brake Pad
21	917-1438A	41-tooth Bevel Gear
22	917-1439A	20-tooth Spur Gear
23	717-1440	10-tooth Spur Gear
24	718-04053	Shift Cover
25	718-04066	Spherical Bearing
26	718-0504	Shifter Insert
27	719-04083	Lower Transmission Housing
28	761-0215	Disc Brake
29	721-04031	Oil Seal
30	736-0167	Washer, Flat, .656 X 1.25 X .02

Ref. No.	Part No.	Description
31	936-0227	Flat Washer
32	936-0336	Flat Washer, 5/8 x 1.0 x.030*
33	936-0337	Flat Washer, 5/8 x 1.0 x.040*
34	936-0349	Flat Washer, 5/8 x 1.0 x.020*
35	736-0494	Flat Washer, .632 X 1.00 X .035
36	736-0715	Flat Washer, 1.12 X 1.75 X .03
37	736-0745	Flat Washer, 1.010 X 1.56 X .060
38	741-04085	Flanged Bearing
39	741-04086	Flanged Bearing
40	741-0681	Ball Bearing
41	750-04244	Spacer
42	736-0495	Thrust Washer, 1.00 X .632
43	736-0494	Flat Washer, .632 X 1.00 X .035
44	718-0540	Lockout Plate
45	618-04264	Upper Housing
46	711-1235	Input Shaft
47	716-0231	E-Ring
48	716-0114	Retainer Ring
49	736-0335	Thrust Washer, .635 X 1.26 X.06
50	717-1463A	13-tooth Bevel Gear
51	761-0212	Brake Arm Actuator
52	710-1206	Screw, 1/4-20 x 2.375
53	712-0273	Hex Lock Nut, 5/16-24
54	717-0678	Brake Pad
55	717-0682	Puck Plate
56	732-0925	Torsion Spring, .75 x 3 coils
57	736-0371	Flat Washer, .343 x .880 x .062
58	741-0343	Actuating Pin 5/16 dia.
59	761-0207A	Brake Yoke
60	761-0208	Anti-Rotation Brake Bracket

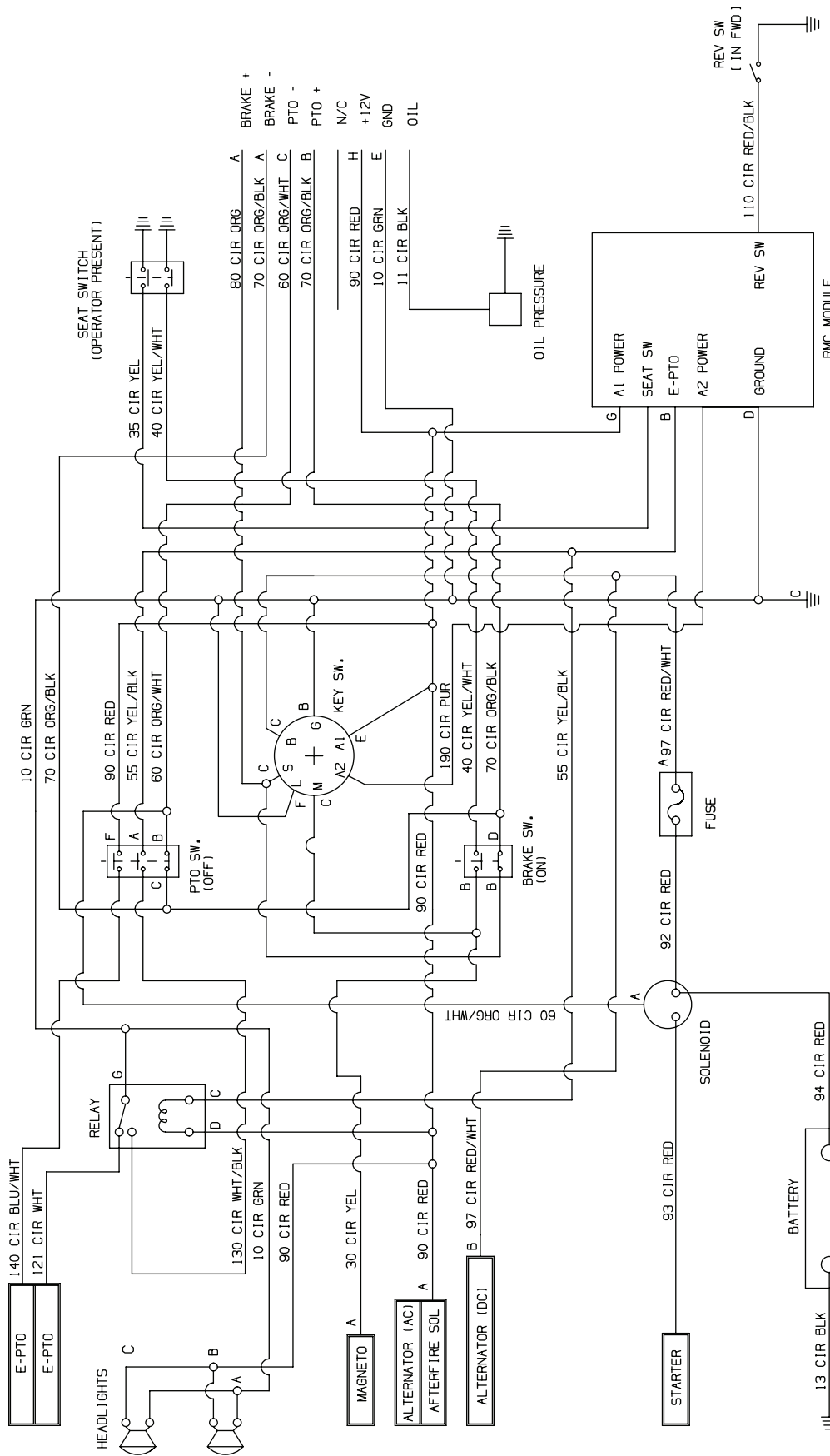
Briggs & Stratton Twin Cylinder Engine



Ref. No.	Part No.	Description
1	710-0227	AB Screw #8-18 x 0.5
2	710-0599	TT Screw 1/4-20 x 0.5
3	710-0604A	TT Screw 5/16-18 x 0.625
4	710-0642	TT Screw 1/4-20 x 0.625
5	710-1314A	Screw, 5/16-18 x .750
6	710-1315	TT Screw 3/8-16 x 1.25
7	712-0271	Sems Nut, 1/4-20
8	712-3005	Flange Lock Nut, 3/8-16
9	721-0460	Exhaust Gasket
10	725-0157	Cable Tie
11	726-0205	Hose Clamp
12	728-04000	Pop Rivet
13	736-0300	Flat Washer, .406 x .875 x .059

Ref. No.	Part No.	Description
14	751-0564B	Muffler Deflector
15	751-10004	RH Exhaust Pipe
16	751-10005	LH Exhaust Pipe
17	751-10161	Dual Inlet Muffler
18	751-10349	Fuel Line Hose
19	751-10353	Muffler Deflector, Long
20	751-10517	Oil Drain Valve
21	751-3141	Oil Drain Extension Hose
22	783-04573	Muffler Bracket, LH
23	783-04574	Muffler Bracket, RH
24	783-04576B	Muffler Shield
25	783-04783A	Heat Shield, Twin
26	783-05410	Muffler Heat Shield

NOTE: Tractor features vary by model. NOT all parts listed above and pictured on the previous page are standard equipment.



BRAKE + A
 BRAKE - A
 PTO - C
 PTO + B
 N/C
 +12V H
 GND E
 OIL 1.1 CIR BLK

