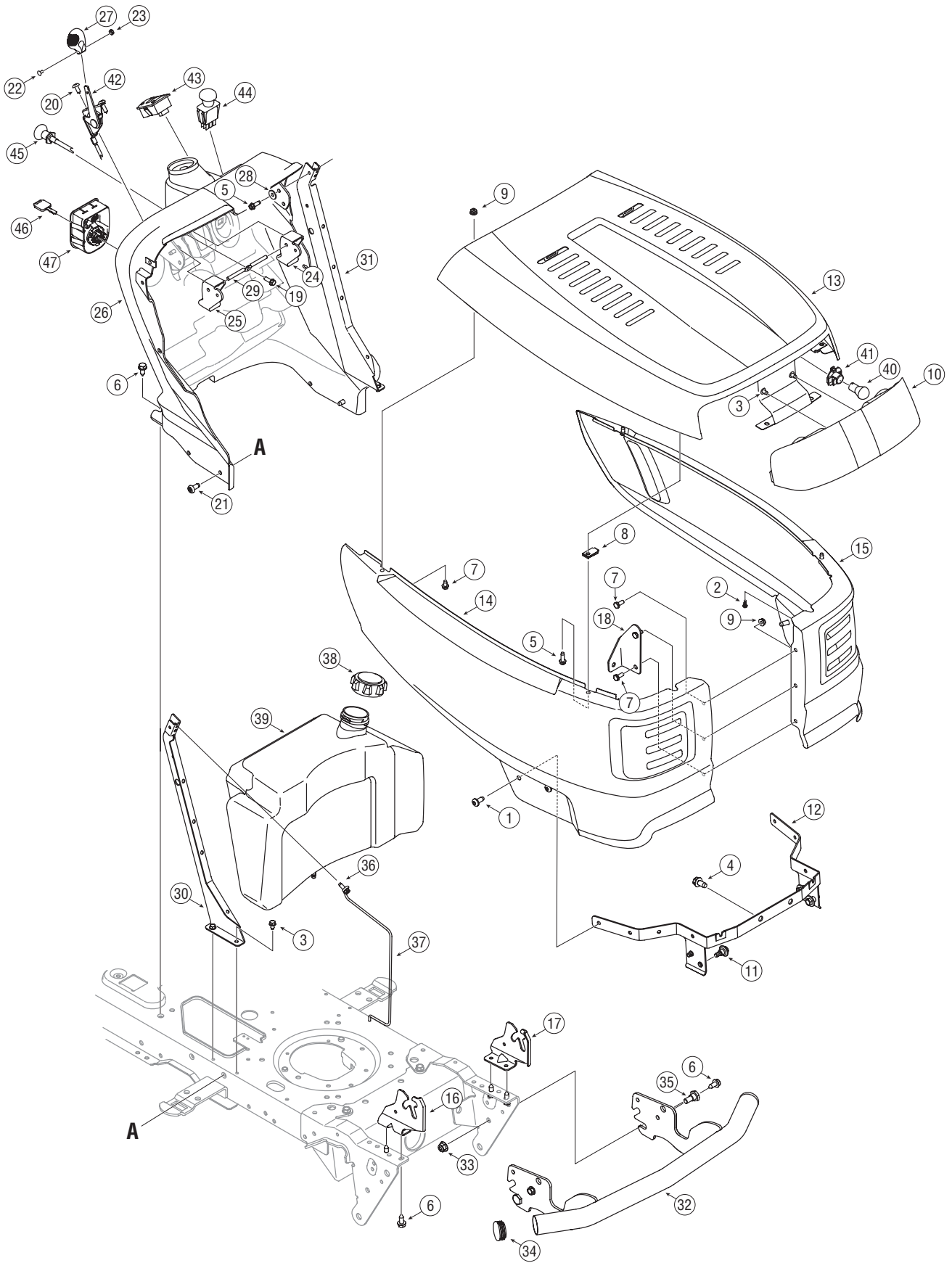


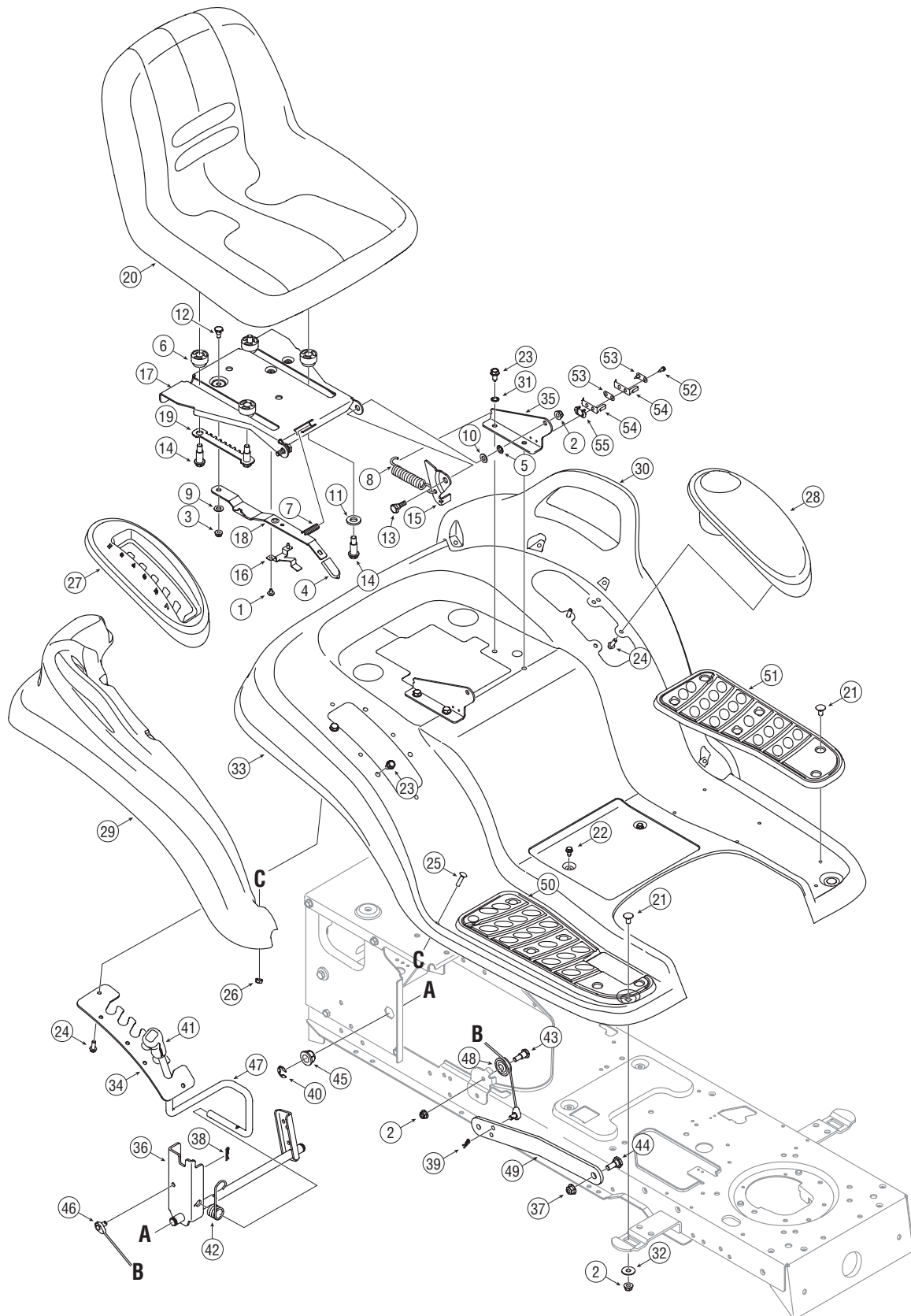
# SECTION 12: PARTS LIST FOR MODEL GT54



# Model GT54

REF. NO.	PART NO.	DESCRIPTION	REF. NO.	PART NO.	DESCRIPTION
1	710-04593	Screw TT, 5/16-18 x.375	26	731-05005B	Dash Panel
2	710-04599	Screw #8-18 x.500	27	731-1857	Control Knob
3	710-0599	Screw TT, 1/4-20 x.500	28	736-0270	Bell Washer.265 x.75 x.062
4	710-0623	Screw TT, 3/8-16 x.750	29	747-1196	Lever Rod
5	710-0642	Screw TT, 1/4-20 x.750	30	783-04285D	RH Plate Dash Support
6	710-0726	Screw AB, 5/16-12 x.750	31	783-04323D	LH Plate Dash Support
7	710-0751	HH Cap Screw 1/4-20 x.620	32	683-04219	Bumper
8	712-0292	Clip Nut 1/4-20	33	712-04065	Flange Lock Nut 3/8-16
9	712-04064	Flange Lock Nut 1/4-20	34	731-05598	Bumper Cap
10	731-05357	Lens	35	738-0143	Shoulder Screw.498 x.340 x 3/8-16
11	738-04091	Shoulder Screw.43x.29:TT:5/16-18	36	710-0642	Screw TT, 1/4-20 x.75
12	783-04606A	Pivot Bracket	37	747-04161	Tank Support Rod
13	783-04827	Hood	38	751-0603	Fuel Cap
14	783-04828	RH Side Panel	39	751-10283	Fuel Tank, 3 Gal.
15	783-04829	LH Side Panel	40	725-0963	Miniature Lamp, 12V
16	783-04840	RH Hood Pivot Bracket	41	725-1649	Socket, Lamp
17	783-04841	LH Hood Pivot Bracket	42	746-1086	Throttle Cable 39-inch
18	783-05116	Support Hood Bracket	43	725-04036B	Systems Indicator Monitor w/Hour Meter
19	710-0895	Screw HL, 1/4-15 x.750	44	725-04174	Electric PTO Switch
20	710-1017	Screw AB, 1/4-14 x.625	45	746-04132	Choke Control 37.5" x 2
21	710-1611B	Screw TT, 5/16-18 x.750	46	725-1744	Ignition Key
22	710-3217	Screw #8-32 x.375		725-1745	Ignition Key w/ Plastic Cover
23	712-0142	Hex Nut #8-32	47	725-04227A	Ignition Switch Module
24	731-04728	Brake Dash Lever	—	629-04083	Headlight Wire Harness <i>(not pictured)</i>
25	731-04729	Cruise Dash Lever	—	725-04336	Tractor Wire Harness <i>(not pictured)</i>

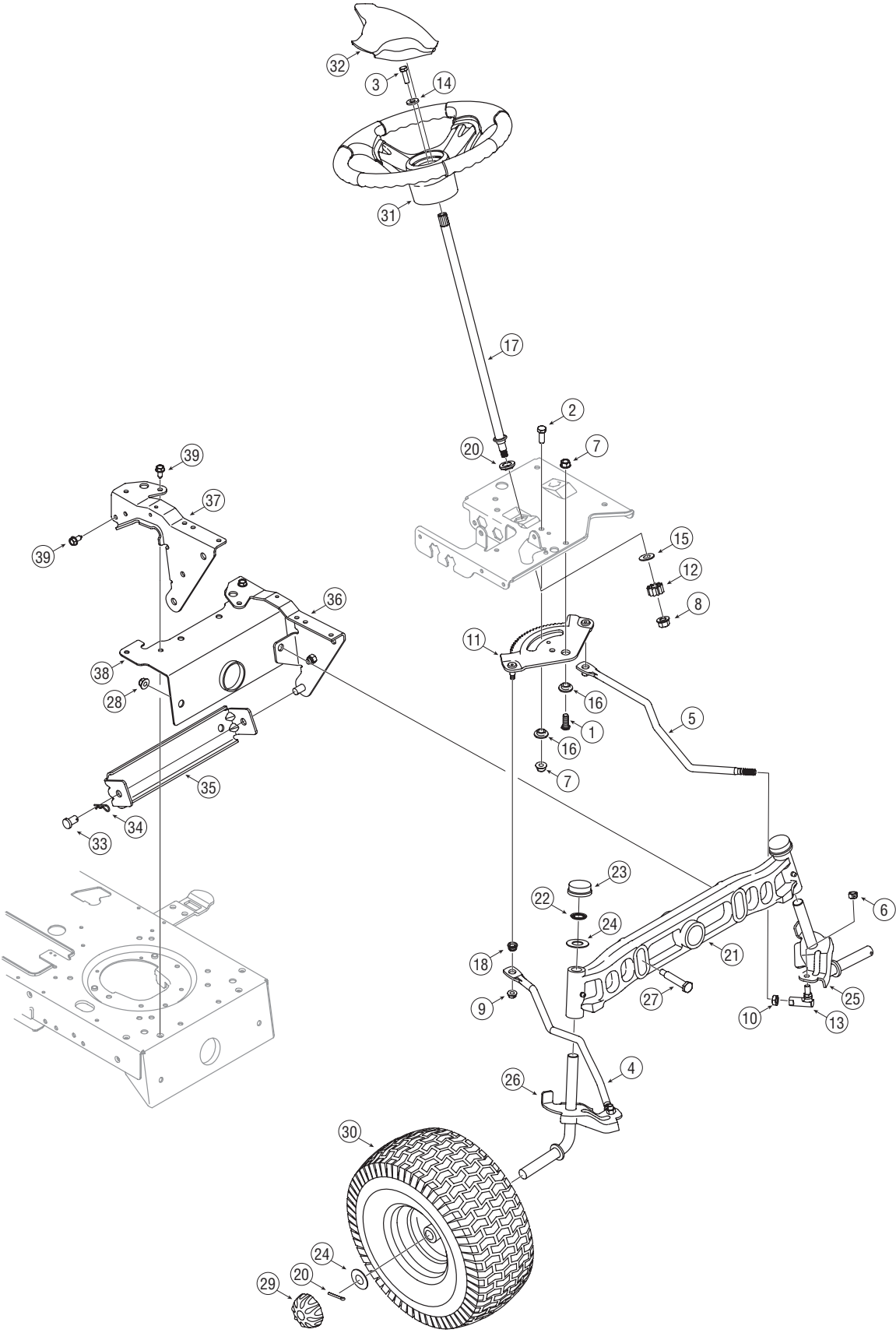
# Model GT54



# Model GT54

REF. NO.	PART NO.	DESCRIPTION	REF. NO.	PART NO.	DESCRIPTION
1	710-1268	Screw #10-16 x.375	29	731-2618	RH GT Fender Flare
2	712-04063	Flange Lock Nut 5/16-18	30	731-2619	LH GT Fender Flare
3	712-04064	Flange Lock Nut 1/4-20	31	736-0607	Lock Washer 5/16
4	720-0309A	Seat Adjuster Grip	32	736-3078	Flat Washer.344 x 1.0 x.063
5	726-0201	Speed Nut	33	783-04459A	Fender 4 Style Hydro w/Flares
6	731-04074	Spacer	34	783-0677B	Lift Adjustment Bracket
7	732-0499	Compression Spring	35	783-1489B	Seat Mount Bracket
8	732-1184	Extension Spring	36	683-04118	54" Lift Shaft Assembly
9	736-0204	Flat Washer.344 x.62 x.033	37	712-04065	Flange Lock Nut 3/8-16
10	736-0242	Bell Washer.340 x.872 x.060	38	714-0104	Cotter Pin.072 x 1.13
11	736-3019	Flat Washer.531 x 1.062 x.134	39	714-0111	Cotter Pin 3/32 x 1.0
12	738-0137A	Shoulder Screw.340 x.285 x 1/4-20	40	716-0106A	E-Ring
13	738-0296	Shoulder Screw.437 x.268 x 5/16-18	41	720-0311	Handle Grip
14	738-0966A	Shoulder Bolt.50 x.925 x 3/8-16	42	732-0874	Torsion Spring
15	783-0209D	Seat Lift Bracket	43	738-0138A	Hex Cap Screw 5/16-18 x.620
16	783-0611	Seat Stop	44	738-0380	Shoulder Screw.50 x.27 x 3/8-16
17	783-0738C	Seat Pivot Bracket	45	741-0225	Hex Flange Bearing
18	783-0739A	Seat Adjustment Lever	46	746-0968	Lift Cable
19	783-0753	Seat Adjustment Selector	47	747-04155	Lift Handle
20	757-04010	High Back Seat	48	756-1154	Roller Pulley
21	710-0451	Carriage Bolt 5/16-18 x.750	49	783-0678A	Lift Arm
22	710-0599	TT Screw 1/4-20 x.500	50	735-0656	Foot Pad RH
23	710-0604A	TT Screw 5/16-18 x.625	51	735-0657	Foot Pad LH
24	710-0895	HL Screw 1/4-15 x.750	52	710-0227	Screw AB #8-18 x.500
25	710-0932	Carriage Screw 1/4-20 x 1.00	53	726-0279	Insulator Plate
26	712-0271	Sems Nut 1/4-20	54	725-1303	Outer Seat Spring Switch
27	731-1990	Lift Lever Cover	55	726-0278	Insulator Boss Plate
28	731-1993A	Cover w/Cup Holder			

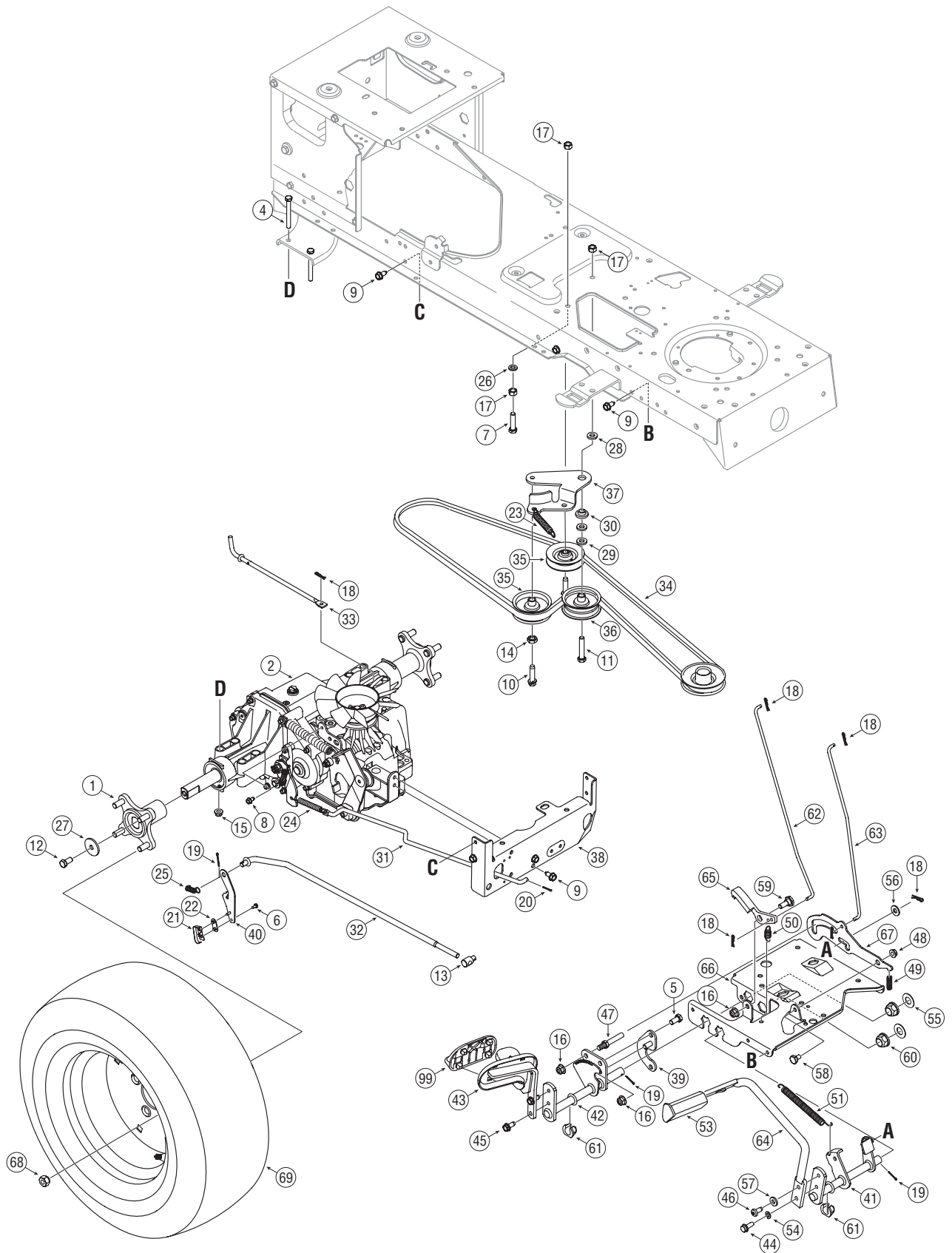
# Model GT54



# Model GT54

REF. NO.	PART NO.	DESCRIPTION
1	710-04095	Hex Screw, 3/8-16, 1.00, Gr5
2	710-0514	Hex Screw, 3/8-16, 1.00, Gr5
3	710-0643	Hex Screw, 5/16-18, 1.00, Gr5
4	711-1408	Link, Drag, RH
5	711-1409A	Link, Drag, LH
6	712-0214	Nut, Hex Lock, 3/8-24
7	712-0431	Nut, Flange Lock, 3/8-16, Grf, Top Lock
8	712-0459	Nut, Flange Lock, 7/16-20, Grb, Lock
9	712-3004A	Nut, Flange Lock, 5/16-18, Gr5, SD Lock
10	712-0240	Nut, Jam 7/16-20, GR2
11	717-1550E	Steering Gear
12	717-1554	Steering Pinion Gear
13	723-0448A	Ball Joint 7/16-20: Lock
14	736-3004	Flat Washer.406 x.875 x.105
15	736-3084	Flat Washer.51 x 1.12 x.06
16	738-04154	Shoulder Spacer.38 x 1 x.31
17	738-1001A	Steering Shaft
18	741-0475	Plastic Bushing
19	741-0656A	Hex Flange Bearing
20	714-04039	Cotter Pin 5/32 x 1.25
21	719-04177	Cast Iron Pivot Axle
22	726-04035	Push Nut
23	731-04693	Push Cap
24	736-0316	Flat Washer.78 x 1.59 x.060
25	638-04003A	Axle Assembly LH
26	638-04004A	Axle Assembly RH
27	738-1011A	Shoulder Screw.50 x 2.230 x 3/8-16
28	712-04065	Nut, Flange Lock, 3/18-16: Grf Nylon
29	731-2290A	Hub Cap
30	634-04088A	Wheel Assembly Complete
	734-04148	Tire Only 16 x 7.5 x 8
	634-04082	Rim Only w/Valve Stem
31	631-04008	Steering Wheel
32	731-04066	Steering Wheel Cover
33	711-0332	Clevis Pin.50 x.78
34	714-04023	Internal Cotter Pin.080 x 1.5625
35	783-0720A	Front Deck Adjustment Bracket
36	783-0727D	LH Support Pivot Bracket
37	783-0726E	RH Support Pivot Bracket
38	783-0728	Pivot Bar Bracket
39	710-1260A	Screw LD 5/16-18 x.75

# Model GT54



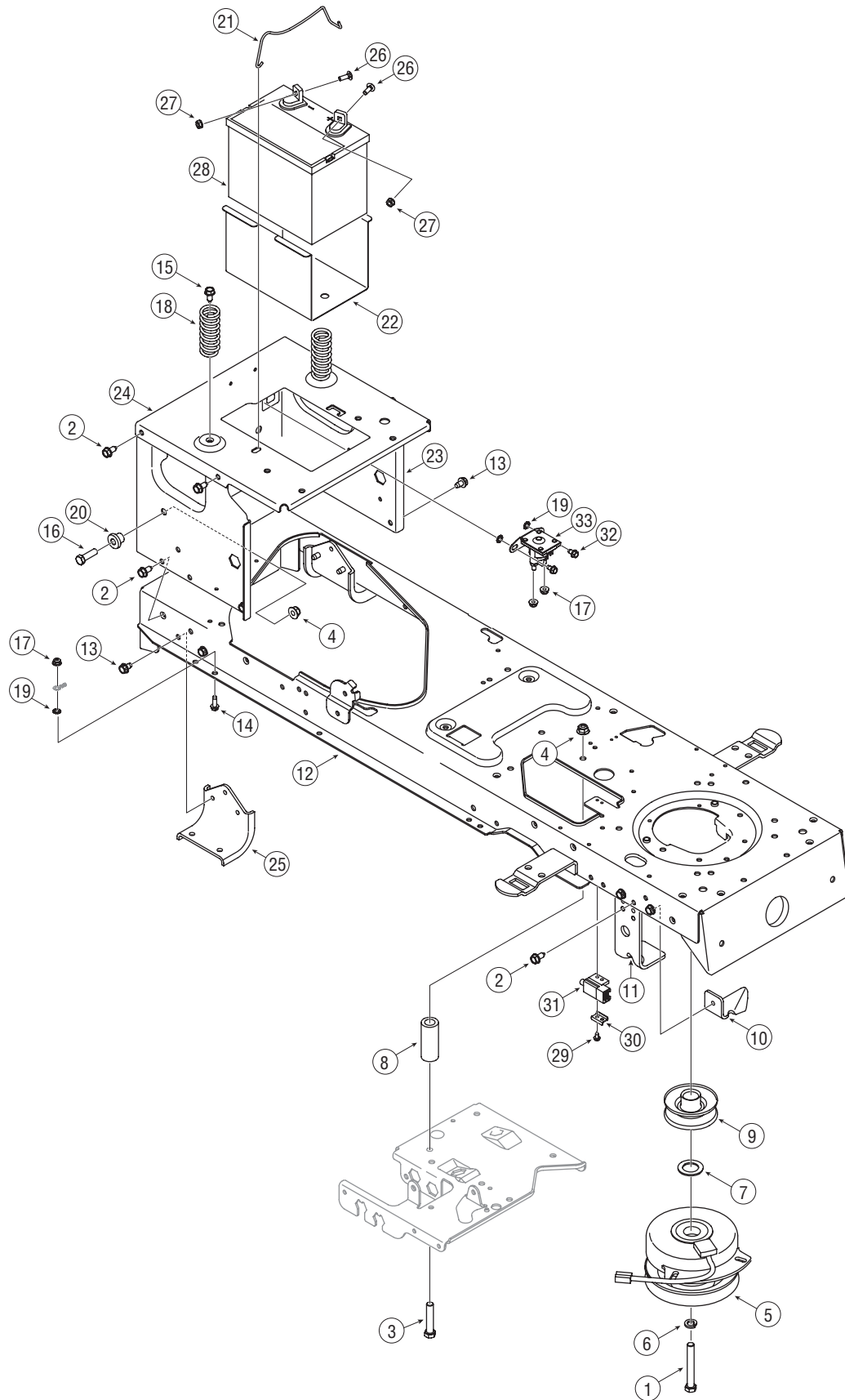
# Model GT54

REF. NO.	PART NO.	DESCRIPTION	REF. NO.	PART NO.	DESCRIPTION
1	618-04317	Wheel Hub Assembly	37	783-04442	Center Double Idler Pulley
2	618-04329	Hydro GT Transmission Assembly	38	783-0667B	Transmission Torque Bracket
3	629-0949A†	Reverse/Ground Wire Harness Assy	39	783-0745	Speed Control Bracket
4	710-0176	HH Cap Screw 5/16-18 x 2.75	40	783-0782	Switch Actuator Bracket
5	710-0216	HH Cap Screw 3/8-16 x.75	41	647-0031B	Brake Control Assembly
6	710-0227	AB Screw #8-18 x.500	42	647-0049A	Drive Control Assembly
7	710-0520	HH Cap Screw 3/8-16 x 1.50	43	683-0267C	Hydro Pedal Assembly
8	710-0599	TT Screw 1/4-20 x.500	44	710-0650	TT Screw 5/16-18 x.875
9	710-0726	AB Screw 5/16-12 x.750	45	710-1260A	LD Screw 5/16-18 x.750
10	710-1007	TT Sems Screw 3/8-16 x 1.500	46	710-1611B	TT Screw 5/16-18 x.750
11	710-3011	HH Cap Screw 3/8-16 x 2.25	47	711-04159B	Pin 3/8-16 x 2.68
12	710-3119	HH Cap Screw 3/8-16 x.750	48	712-3004A	Flange Lock Nut 5/16-18
13	711-0832	Ferrule 3/8-24 x.375	49	732-0335	Compression Spring.405 x 1.17
14	712-0240	Jam Nut	50	732-0955	Extension Spring.50 x 1.41
15	712-04063	Flange Lock Nut 5/16-18	51	732-0963	Extension Spring.50 x 6.37
16	712-04065	Flange Lock Nut 3/8-16	52	735-0662	Drive Pedal Pad
17	712-3017	Hex Nut 3/8-16	53	735-3049	Brake Control Pad
18	714-0104	Cotter Pin.072 x 1.13	54	736-0119	Lock Washer 5/16
19	714-0111	Cotter Pin 3/32 x 1.0	55	736-0187	Flat Washer.64 x 1.24 x.06
20	714-0507	Cotter Pin 3/32 x.750	56	736-0262	Flat Washer.385 x.870 x.092
21	725-1644	Short Spring Switch	57	736-3008	Flat Washer.344 x.750 x.120
22	726-0320	Insulator Nut Plate	58	738-0155	Shoulder Screw.437 x.162
23	732-04323B	Extension Spring.770 x 3.720	59	738-0380	Shoulder Screw.50 x.27 x 3/8-16
24	732-0716C	Extension Spring.59 x 4.00	60	741-0225	Hex Flange Bearing
25	732-3118	Extension Spring 3/8 x 1.44	61	741-3065B	Hex Flange Bearing.628 ID Split
26	736-0169	Lock Washer 3/8	62	747-04093	Brake Lock Control Rod
27	736-0227	Flat Washer.390 x 1.500 x.134	63	747-04096	Cruise Control Rod
28	736-0258	Flat Washer.385 x 1.0 x.135	64	747-04521	Brake Pedal
29	736-3010	Flat Washer.407 x.812 x.135	65	748-04039B	Cruise Latch
30	738-0372B	Shoulder Spacer 1.00 x.38 x.38	66	783-04612	Steering Support Bracket
31	747-04140	Brake Rod	67	783-0663E	Hydro Lockout Bracket
32	747-1119	Control Rod	68	712-3050	Lug Nut 7/16-14
33	747-1121A	Bypass Rod	69	634-0202A	Wheel Assy Complete 23 x 10.5 x 12
34	754-0349	Drive Belt		634-3178	Rim Only 12 x 7
35	756-04209	V-Type Idler Pulley 3.06		734-0255	Air Valve
36	756-04224	Flat Idler Pulley 2.75		734-04147	Tire Only 23 x 10.5 x 12 Sq. Shoulder

† not pictured



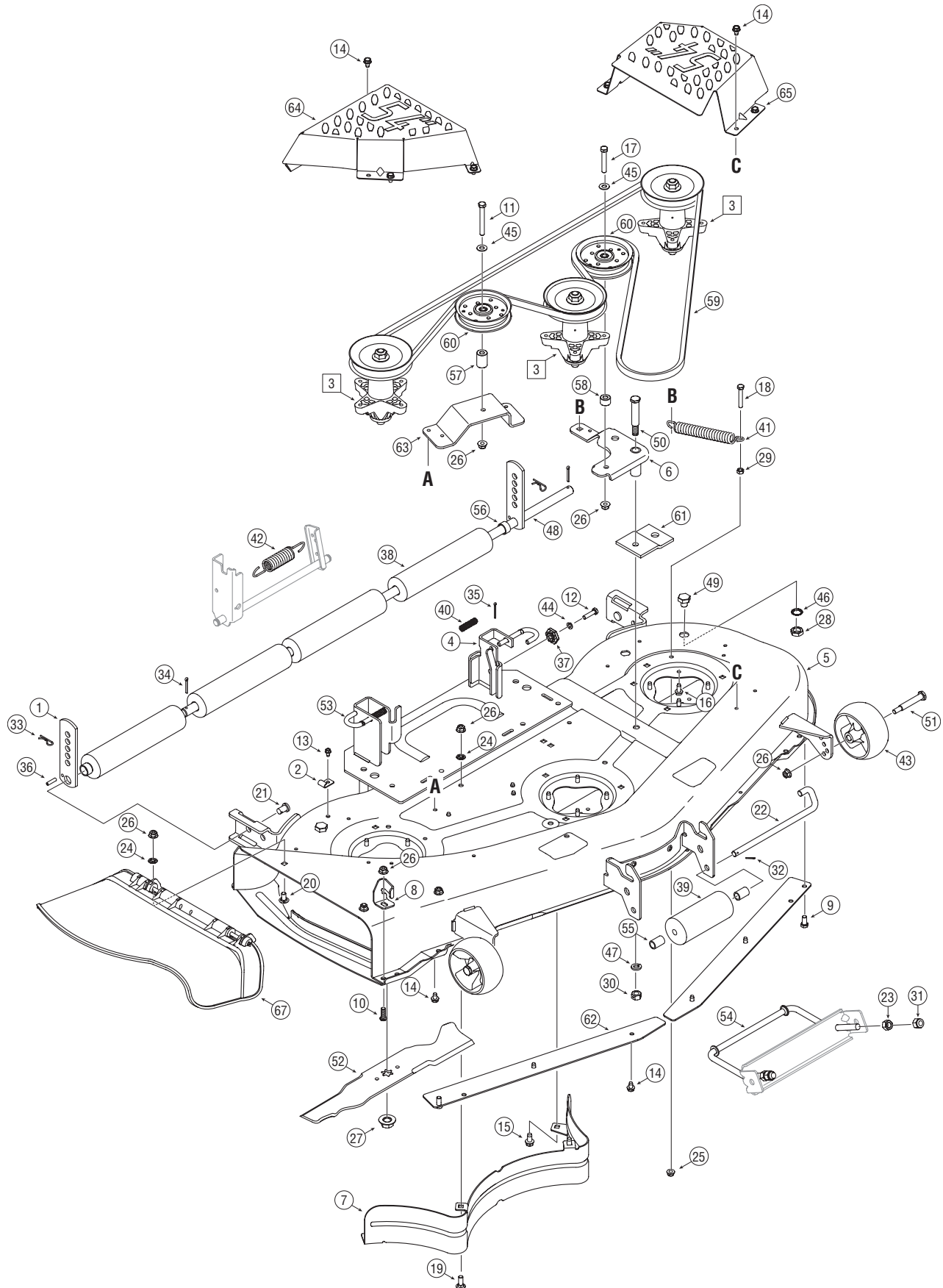
# Model GT54



# Model GT54

REF. NO.	PART NO.	DESCRIPTION
1	710-04379A	HH Cap Screw 7/16-20 x 3.50
2	710-0726	AB Screw 5/16-12 x .750
3	710-3011	HH Cap Screw 3/8-16 x 2.25
4	712-04065	Flange Lock Nut 3/8-16
5	717-1774B	PTO Clutch, Electric
6	736-0171	Lock Washer 7/16
7	736-0277	Flat Washer 1.031 x 1.620 x .095
8	748-0415B	Spacer .385 x .635 x 1.54
9	756-0978A	Electric PTO Engine Pulley
10	783-04419B	Clutch Bracket
11	783-04467	Deck Bracket, Up-Stop
12	683-04173A	Lower Frame Assembly
13	710-0607	TT Screw 5/16-18 x .500
14	710-0642	TT Screw 1/4-20 x .750
15	710-1260A	LD Screw 5/16-18 x .750
16	710-3005	HH Cap Screw 3/8-16 x 1.25
17	712-04064	Flange Lock Nut 1/4-20
18	732-04035	Compression Spring 1.28 x 3.125
19	736-0222	Lock Washer 1/4
20	738-04058	Shoulder Spacer .38 x 1.0 x .70
21	747-04121A	Battery Rod
22	783-0349	Battery Tray
23	783-04329A	Seat Frame Bracket
24	783-04811A	Upper Frame, GT
25	783-0693	Axle Bracket, GT
26	710-0703	Carriage Screw 1/4-20 x .75
27	712-0271	Sems Nut 1/4-20
28	725-1750A	Battery 235 CCA
29	710-0224	AB Screw #10-16 x .50
30	17962	Switch Plate
31	725-04039	Interlock Switch
32	710-0599	TT Screw 1/4-20 x .50
33	725-1426A	Solenoid 12V 100 Amp

# Model GT54

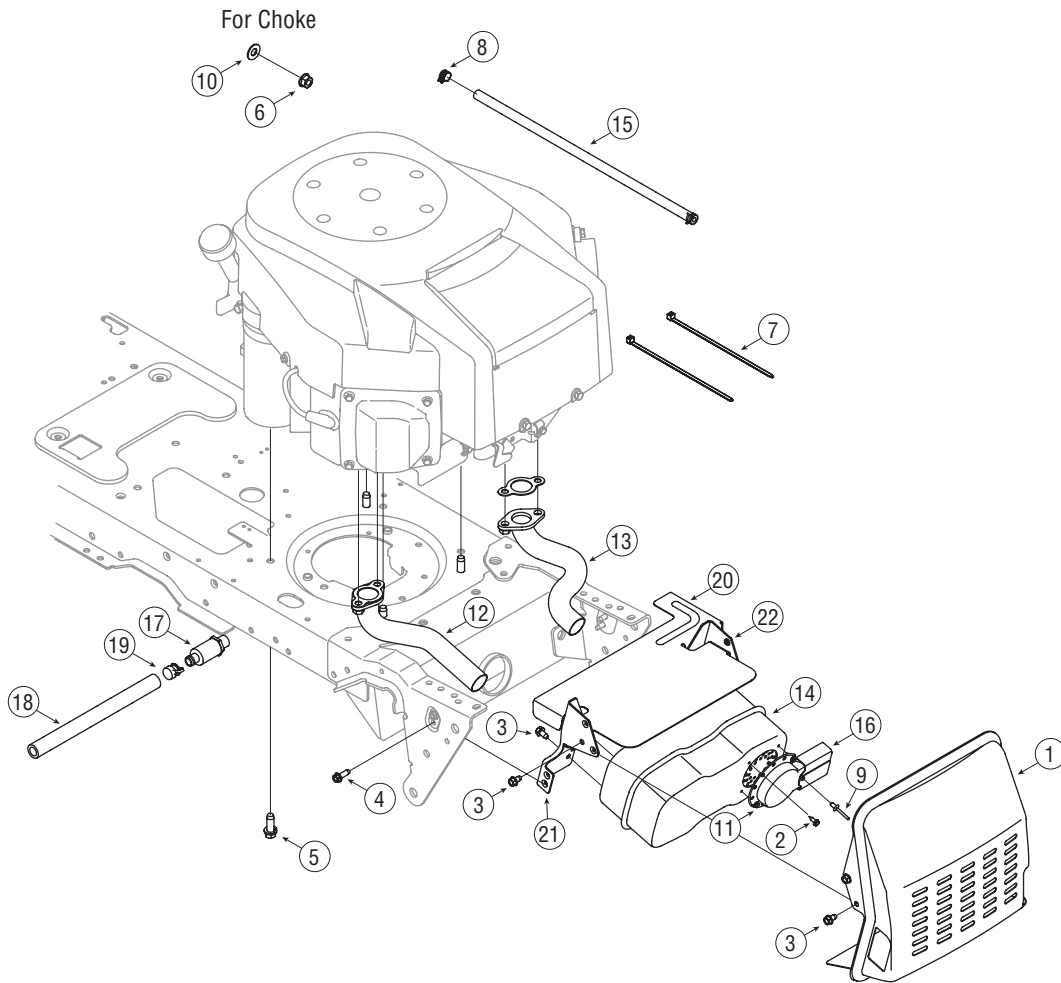


# Model GT54

REF. NO.	PART NO.	DESCRIPTION	REF. NO.	PART NO.	DESCRIPTION
1.	12650	Height Adjustment Bracket	34.	714-0162	Cotter Pin 5/32 x 1.25
2.	16606	Retainer Hook Bracket	35.	714-0470	Cotter Pin 1/8 x 1.25
3.	618-0671	Pulley Spindle Assy. 5.39 x.5625	36.	715-0108	Spring Pin 1/4 x 1.00
4.	683-0254B	Deck Hanger Bracket Assembly	37.	717-04074	Deck Adjustment Gear
5.	683-04113A	Deck Assembly 54" SD GT	38.	731-0335	Deck Roller
6.	683-0459	Idler Assembly 54"	39.	731-3005	Front Roller
7.	703-2093	Baffle, Inner, RR	40.	732-0306A	Compression Spring.531 x 1.75
8.	703-3279	Chute Stop Deflector	41.	732-0459B	Extension Spring.94 x 6.74
9.	710-0216	HH Cap Screw 3/8-16 x.75	42.	732-0934	Extension Spring 1.15 x 5.99
10.	710-04095	HH Cap Screw 3/8-16 x 1.00	43.	734-04155	Deck Wheel 5.0 Dia. Ball
11.	710-0521	HH Cap Screw 3/8-16 x 3.00	44.	736-0119	Lock Washer 5/16
12.	710-0528	HH Cap Screw 5/16-18 x 1.25	45.	736-0300	Flat Washer.406 x.875 x.059
13.	710-0599	TT Screw 1/4-20 x.500	46.	736-0760	Lock Washer
14.	710-0607	TT Screw 5/16-18 x.500	47.	736-0921	Lock Washer 1/2
15.	710-0623	TT Screw 3/8-16 x.750	48.	738-0295	Shaft.750 x.47.12
16.	710-1260A	LD Screw 5/16-18 x.750	49.	738-04146	Screw Plug M16 x 1.5
17.	710-3011	HH Cap Screw 3/8-16 x 2.25	50.	738-1229A	Shoulder Screw.625 x 2.50 x 1/2-13
18.	710-3103	HH Cap Screw 5/16-18 x 2.00	51.	738-3056	Shoulder Screw 1/2 x 2.50
19.	710-3168	Carriage Bolt 3/8-16 x 1.00	52.	742-0677	Blade18.50" Long
20.	710-3178	Carriage Bolt 3/8-16 x.75	53.	747-1116	Deck Handle Rod
21.	711-0332	Clevis Pin.50 x.78	54.	747-1324	Front Deck Adjustment Rod
22.	711-1737	Roller Pin.5" x 10.06	55.	750-0151	Spacer.550 ID x.750 OD x 1.125
23.	712-0206	Hex Nut 1/2-13	56.	750-0212	Spacer.82 ID x 1.00 OD x.53
24.	712-0229	Push Nut 3/8	57.	750-04597	Spacer.380 x.900 x 1.313
25.	712-04063	Flange Lock Nut 5/16-18	58.	750-0933	Spacer 385 ID x.88 x.64
26.	712-04065	Flange Lock Nut 3/8-16	59.	754-0642	V-Belt
27.	712-0417A	Flange Nut 5/8-18	60.	756-04129	Idler Pulley 4.25
28.	712-0641	Hex Nut M16-1.5 DIN 936	61.	783-04013A	Stabilizing Bracket
29.	712-3010	Hex Nut 5/16-18	62.	783-04690	Deck Skirt
30.	712-3022	Hex Lock Nut 1/2-13	63.	783-04726	Idler Bracket, Stationary
31.	712-3083	Hex Lock Nut 1/2-13	64.	783-1470A	Spindle Cover, RH
32.	714-0111	Cotter Pin 3/32 x 1.0	65.	783-1471	Spindle Cover, RH
33.	714-0145	Click Pin.092 x 1.64	67.	631-04070A	Chute Assembly

**IMPORTANT:** For a proper working machine, use Factory Approved Parts. **V-belts** are designed to engage and disengage safely. A substitute (non OEM) V-belt can be dangerous by not disengaging completely.

# Model GT54



REF. NO.	PART NO.	DESCRIPTION	REF. NO.	PART NO.	DESCRIPTION
1	683-04256	Muffler Shield Assembly	12	751-10006	Exhaust Pipe RH
2	710-0227	AB Screw #8-18 x.500	13	751-10007	Exhaust Pipe LH
3	710-0599	TT Screw 1/4-20 x.500	14	751-10161	Dual Inlet Muffler
4	710-0642	TT Screw 1/4-20 x.750	15	751-10349	Fuel Hose
5	710-0654A	TT Sems Screw 3/8-16 x 1	16	751-10353	Muffler Deflector, Long
6	712-3005	Flange Lock Nut 3/8-16	17	751-3140	Oil Drain
7	725-0157	Cable Tie	18	751-3141	Oil Drain Hose Extension
8	726-0205	Hose Clamp	19	751-3142	Oil Drain Cap
9	728-04000	Pop Rivet	20	783-04573	Muffler Bracket LH
10	736-0300	Flat Washer.406 x.875 x.059	21	783-04574	Muffler Bracket RH
11	751-0564B	Muffler Deflector	22	783-04783	Heat Shield

---

## SECTION 11: ATTACHMENTS & ACCESSORIES

See your dealer or the retailer from which you purchased your tractor for information regarding price and availability.

### ATTACHMENTS

---

OEM-190-964	Rear Tire Chain Set
OEM-190-823	42-inch Two-stage Snow Thrower
OEM-190-833	46-inch Front Dozer Blade
OEM-190-841	54-inch Deck Mulch Kit
OEM-190-608	Sleeve Hitch, Manual Lift
OEM-190-824	Sleeve Hitch with Electric Lift
OEM-190-842	Triple Bagger Grass Collector
OEM-190-784	Rear Wheel Weights
OEM-190-604	Tool and Storage Chest
OEM-190-672	Bumper Kit
OEM-190-607*	Deluxe Tractor Sunshade
OEM-190-750*	Tractor Snow Cab
OEM-190-184	40" Dethatcher

*\*Not compatible with tractors equipped with a Grass Collector.*

### SLEEVE HITCH ATTACHMENTS

OEM-190-825	30-inch Hydraulic Tiller †
OEM-190-978	10-inch Mulboard Plow ‡
OEM-190-980	Single-disc Harrow ‡
OEM-190-984	Row Crop Cultivator ‡
OEM-190-804	42-inch Heavy Duty Rear Blade ‡

† OEM-190-824 is required for use of this attachment. **190-608 can NOT be used in its place.**

‡ Either OEM-190-824 or OEM-190-608 is required for use of this attachment.