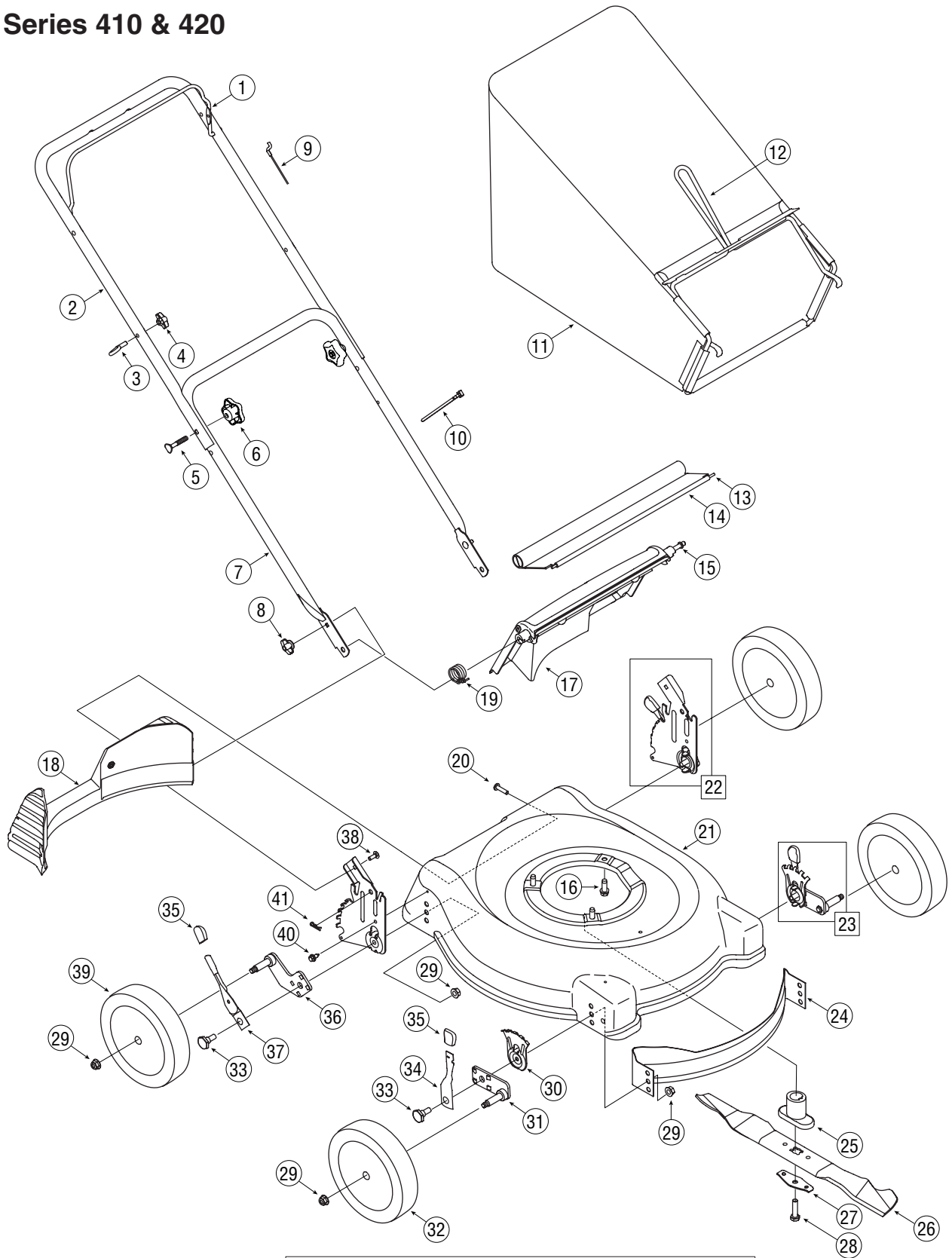






# Model Series 410 & 420



**Wheel Treads**

			
Zag Tread	Pin Bar Tread	S-WaveTread	K2 Tread

# 8

## Parts List



1	747-1161A	Blade Control		687-02074A	Ht. Adj. Assy. Front - RH (8" Wheel)
2	749-1092A	Upper Handle		687-02099A	Ht. Adj. Assy. Front - LH (7" Wheel)
3	710-1205	Rope Guide		687-02100A	Ht. Adj. Assy. Front - RH (7" Wheel)
4	720-0279	Wing Nut, 1/4-20	24	782-5002B	Front Baffle
5	710-1174	Carriage Bolt, 5/16-18 x 2	25	748-0377C	Blade Adapter
6	720-04072	Hand Star Knob	26	742-0641	Standard Blade
7	749-0928A	Lower Handle		742-0741†	Mulch Blade
8	712-0397	Wing Nut, 1/4-20	27	736-0524B	Blade Bell Support
9	746-0957	Control Cable - 37.25"	28	710-1257	Screw, 3/8-24 x 2.50
	746-1130	Control Cable - 40"	29	712-04065	Flange Lock Nut, 3/8-16
	746-0554	Control Cable - 40.5"	30	787-01290	Height Adjustment Plate
	746-1137	Control Cable - 53"	31	687-02076A	Pivot Arm Assy RH (7" wheel)
10	726-0240	Cable Tie		687-02077A	Pivot Arm Assy LH (7" wheel)
11	664-04007A	Grass Bag Assembly		687-02076A	Pivot Arm Assy LH (8" wheel)
12	747-04080	Grass Bag Frame		687-02077A	Pivot Arm Assy RH (8" wheel)
13	732-0700	Trailshield Wire	32	‡	Front Wheel
14	731-05642	Trailshield	33	738-0507B	Shoulder Screw
15	747-04587	Rear Door Pivot Rod	34	732-0404	Spring Lever
16	710-0654A	TT Screw, 3/8-16 x 1	35	720-0426	Height Adjustment Knob
17	731-05865	Rear Discharge Door	36	687-02071A	Pivot Arm Assembly - RH
18	731-04150C	Rear Baffle		687-02070A	Pivot Arm Assembly - LH
19	732-04090A	Torsion Spring RH	37	732-04175	Spring Lever
20	710-1241	Screw, 1/4-15 x 1.00	38	710-0703	Carriage Bolt, 1/4-20
21	787-01276	Deck 21 inch	39	‡	Rear Wheel
22	687-02271	Handle Bracket Assy - RH	40	710-1652	Screw, 1/4-20 x .625
	687-02270	Handle Bracket Assy - LH	41	714-0104	Hairpin Clip
23	687-02075A	Ht. Adj. Assy. Front - LH (8" Wheel)			

† If equipped  
‡ Refer to Wheel Chart

### ‡ Wheel Chart

Type	Part No.	Tread
Wheels w/o bearing	734-1781, Slot Hub	Bar
	734-04215, 8 x 1.8	K2 Bar
	734-04213, 7 x 1.8	K2 Bar
Wheels w/ BB	734-2004A, Disc Hub	Zag
	734-2005A	Zag

This Operator's Manual covers a range of product specifications for various models. Characteristics and features discussed and/or illustrated in this manual may not be applicable to all models. MTD LLC reserves the right to change product specifications, designs, and equipment without notice and without incurring obligation.