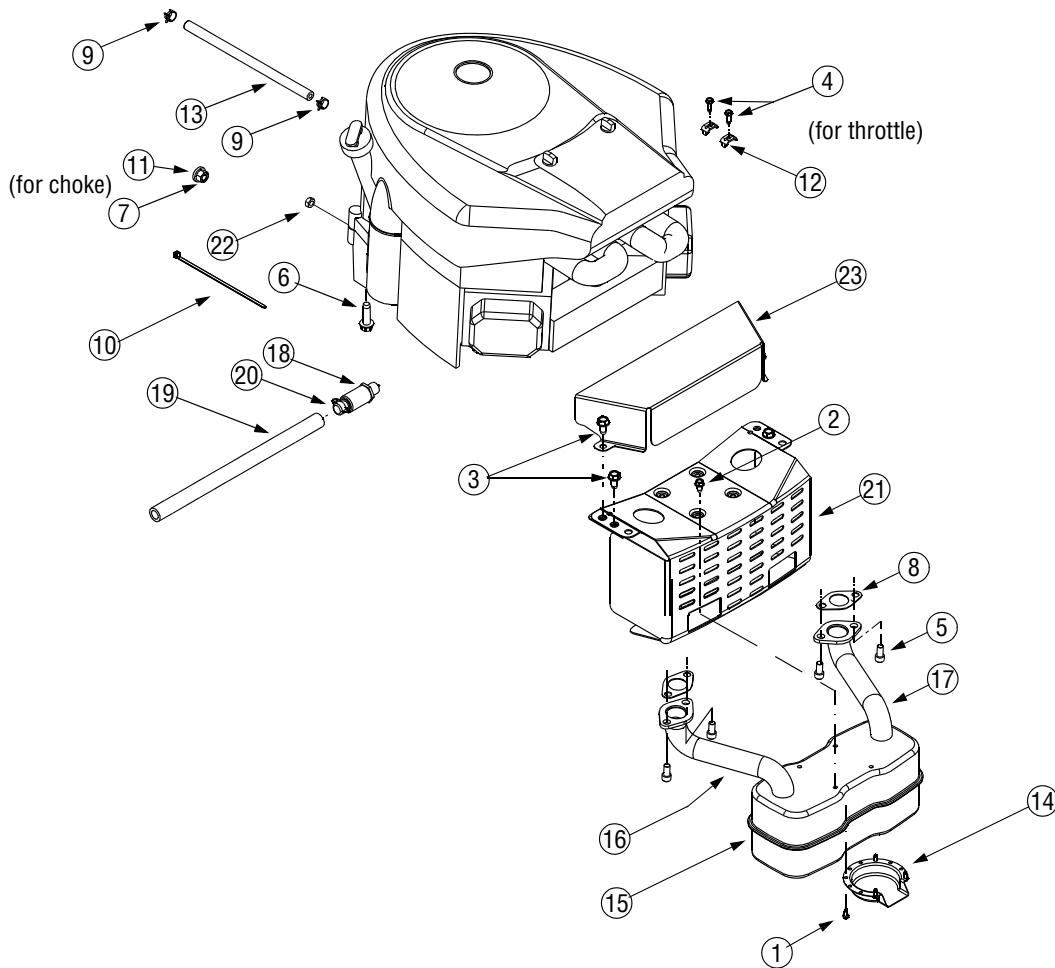


SECTION 12: ILLUSTRATED PARTS LIST



REF. NO.	PART NO.	DESCRIPTION	REF. NO.	PART NO.	DESCRIPTION
1	710-0227	Screw, #8-18 x.50	13	751-0535	Fuel Line Hose
2	710-0599	Screw, 1/4-20 x.50	14	751-0564A	Muffler Deflector
3	710-0726	Screw, 5/16-18 x.750	15	751-0616A	Muffler, Twin Inlet
4	710-1237	Screw, #10-32 x.625	16	751-0650B	RH Exhaust Pipe
5	710-1314A	Socket Cap Screw, 5/16-18 x.625	17	751-0651B	LH Exhaust Pipe
6	710-1315	Self-tapping Screw, 3/8-16 x 1.25	18	751-3140	Oil Drain Valve
7	712-3005	Flange Lock Nut, 3/8-16	19	751-3141	Oil Drain Hose
8	721-0460	Exhaust Gasket	20	751-3142	Oil Drain Cap
9	726-0205	Hose Clamp	21	783-0615D	Muffler Bracket
10	725-0157	Cable Tie	22	712-0271	Sems Nut, 1/4-20
11	736-0300	Lock Washer, .406 x.875 x.059	23	783-0625C	Heat Shield
12	751B221535	Casing Clamp			

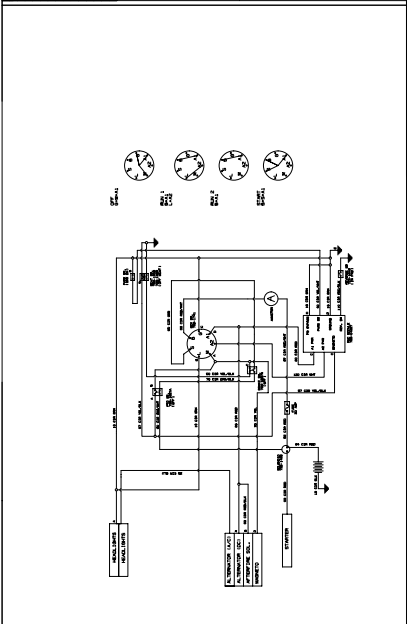
NOTE: Tractor features vary by model. NOT all parts listed and pictured above are standard equipment.

REVOLUTIONS

BY	DATE	REVISIONS
BY ZONE	DATE	
RELEASED FOR	02/26/2005	REV. 1
EDD 2012 - CHANGED PRT SWITCH BREAKOUT, ADDED		
NOTE TO RING TERMINAL		

HARNES COVERING

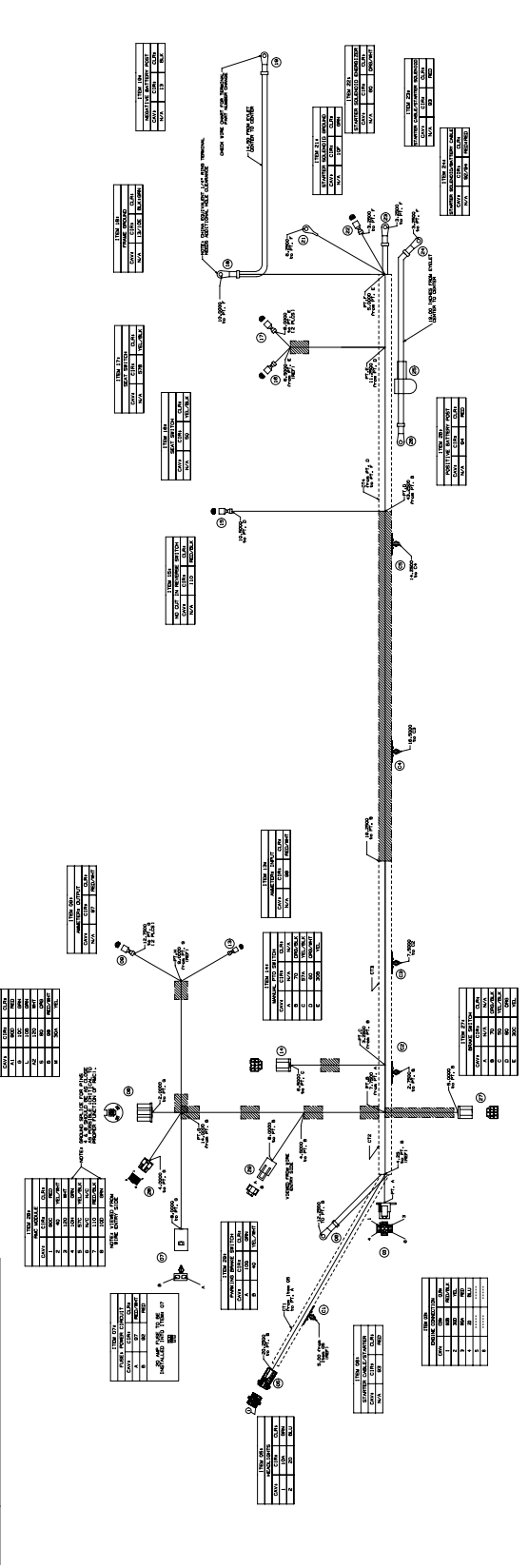
INDICATES THE USE OF VINYL TUBING TO COVER THE HARNESS. THE HARNESS SHALL BE COVERED WITH VINYL TUBING TO PROTECT IT FROM DAMAGE. THE HARNESS SHALL BE COVERED WITH VINYL TUBING TO PROTECT IT FROM DAMAGE. THE HARNESS SHALL BE COVERED WITH VINYL TUBING TO PROTECT IT FROM DAMAGE.



ITEM	QTY	DESCRIPTION
1	1	RELAY
2	1	SWITCH
3	1	CONNECTOR
4	1	WIRE
5	1	TERMINAL
6	1	COVERING
7	1	WIRE
8	1	TERMINAL

CRITICAL CHARACTERISTICS & MATERIAL SPECIFICATIONS

CRITICAL CHARACTERISTICS AND MATERIAL SPECIFICATIONS FOR THE HARNESS SHALL BE AS FOLLOWS: ALL PARTS SHALL BE MANUFACTURED TO THE SPECIFICATIONS LISTED BELOW. THE HARNESS SHALL BE COVERED WITH VINYL TUBING TO PROTECT IT FROM DAMAGE. THE HARNESS SHALL BE COVERED WITH VINYL TUBING TO PROTECT IT FROM DAMAGE.



PROJECTION

PROJ. NO.	6250
DATE	10/25/2005
DESIGNER	HARN ASHPT-MN
CHECKED	AMTR-RNC-PB
SCALE	N/A
FILE	629_04150
SHEET	1 OF 1

1. ALL DIMENSIONS ARE IN INCHES UNLESS OTHERWISE SPECIFIED.

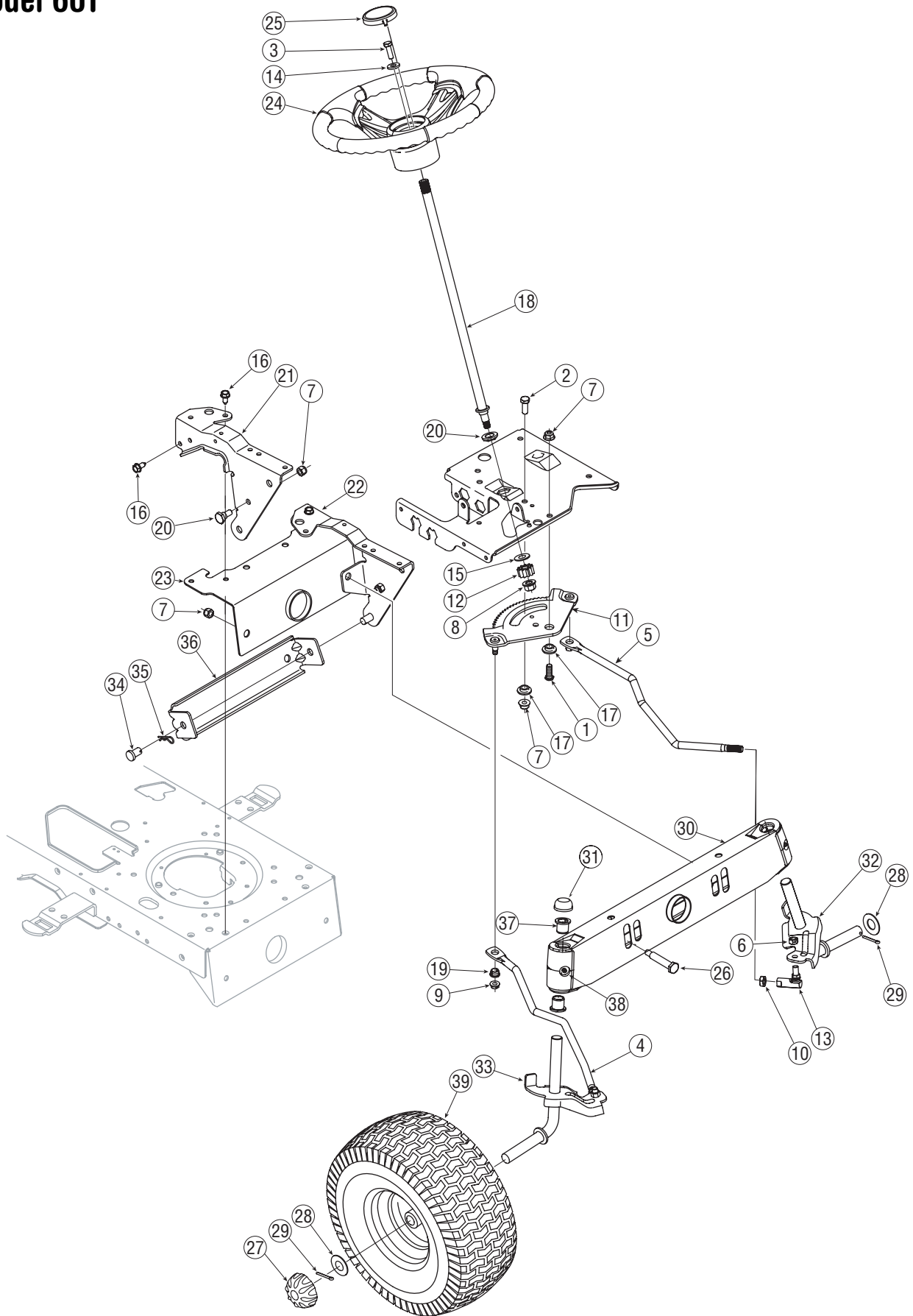
2. ALL DIMENSIONS ARE TO CENTER UNLESS OTHERWISE SPECIFIED.

3. DIMENSIONS TO CENTER UNLESS OTHERWISE SPECIFIED.

4. DIMENSIONS TO CENTER UNLESS OTHERWISE SPECIFIED.

5. DIMENSIONS TO CENTER UNLESS OTHERWISE SPECIFIED.

Model 601



Model 601

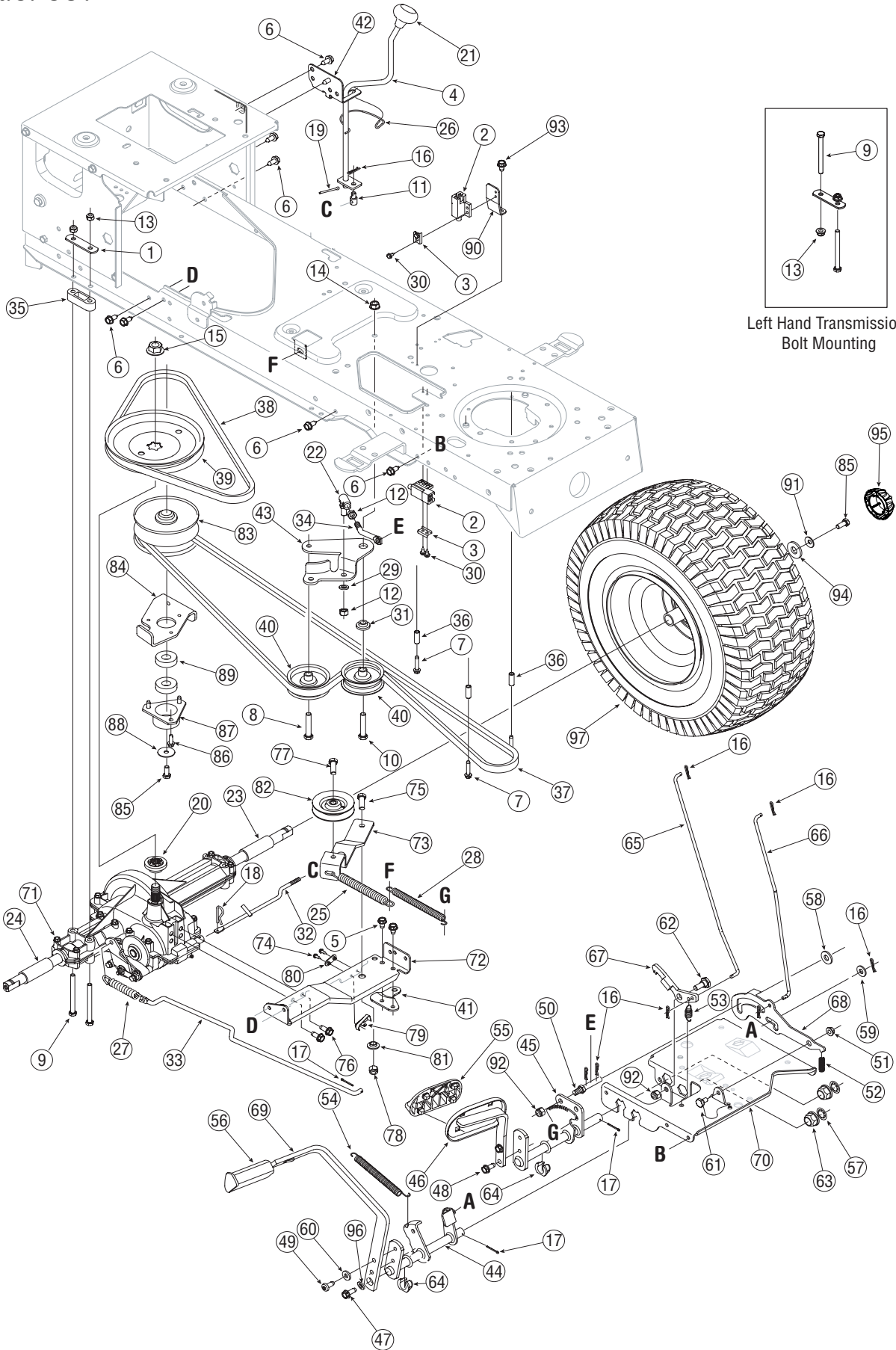
REF. NO.	PART NO.	DESCRIPTION
1	710-04095	Hex Screw, 3/8-16, 1.00, Gr5
2	710-0514	Hex Screw, 3/8-16, 1.00, Gr5
3	710-0643	Hex Screw, 5/16-18, 1.00, Gr5
4	711-1408	Link, Drag, RH
5	711-1409A	Link, Drag, LH
6	712-0214	Nut, Hex Lock, 3/8-24
7	712-04065	Nut, Flange Lock, 3/8-16, Grf, Nylon
8	712-0459	Nut, Flange Lock, 7/16-20
9	712-3004A	Nut, Flange Lock, 5/16-18, Gr5
10	712-0240	Nut, Jam, 7/16-20, Gr2
11	717-1550E	Gear, Steering, 11/90 Ratio
12	717-1554	Gear, Pinion, Steering
13	723-0448A	Ball Joint, 7/16-20, Lock
14	736-3004	Washer, Flat,.406 x.875 x.105
15	736-3084	Washer, Flat,.51 x 1.12 x.06
16	710-0726	Screw, 5/16-12, 0.750
17	738-04154	Spacer, Shoulder,.38 x 1.00 x.31
18	738-1001A	Shaft, Steering,.625 OD x 24.25 Lg
19	741-0475	Plastic Bushing,.380 ID
20	741-0656	Bushing
21	783-0726D	Pivot Bracket, Support RH
22	783-0727C	Pivot Bracket, Support LH
23	783-0728	Pivot Bracket, Bar
24	631-04028	Steering Wheel
25	731-04040	Steering Wheel Cap
26	738-1011A	Shoulder Screw,.5 x 2.2, 3/8-16
27	734-2290A	Deluxe Hub Cap
28	736-0316	Flat Washer,.78 x 1.589 x.06
29	714-04039	Cotter Pin, 5/32 x 1.25
30	683-0128B	Pivot Bar
31	726-0341	Push Cap
32	638-04003	LH Axle Assembly,.750
33	638-04004	RH Axle Assembly,.750
34	711-0332	Pin, Clevis,.50 x.78
35	714-04023	Cotter Pin, Internal,.080 x 1.5625
36	783-0720A	Adjustment Bracket, Front
37	741-0660A	Flange Bearing,.760 x.941 x 1.0
38	731-1291A	Pivot Bar Endcap
39	634-04086	Wheel Assembly Complete, 15 x 6
	734-1731	Tire Only, 15 x 6 x 6
	634-04081	Rim Only w/ Valve Stem

Model 601

Ref. No.	Part No.	Description	Ref. No.	Part No.	Description
1.	710-0726	Screw, 5/16-12 x.750	21.	731-04215	Cruise Control Button
2.	710-0599	Self-tapping Screw, 1/4-20 x.5	22.	731-04217	Parking Brake Button
3.	710-0751	Hex Cap Screw, 1/4-20 x.62	23.	736-0142	Flat Washer, 9/32 x 1/2 x 1/16
4.	746-1086	Throttle Control/ Cable	24.	747-1196	Brake/Cruise Pivot Rod
5.	746-1085A	Choke Knob/Cable	25.	629-04083†	Headlight Wire Harness
6.	731-04949	Headlight Lens	26.	731-05165	Hood Plenum
7.	738-04091	Shoulder Screw,.43 x.29	27.	783-04285B	RH Dash Support Plate
8.	783-04551	Hood, 1 Style	28.	710-0642	Self-tapping Screw, 1/4-20 x.75
9.	783-04552	Grill, 1 Style	29.	783-04323B	LH Dash Support Plate
10.	783-04578	Pivot Bracket - RH	30.	725-0963	Lamp
	783-04577	Pivot Bracket - LH	31.	736-0270	Bell Washer,.265 x.75 x.062
11.	783-04621	Grill Pivot Bracket	32.	710-1611B	Screw, 5/16-18 x.75
12.	712-04064	Flange Lock Nut, 1/4-20	33.	725-1649	Headlight Socket
13.	751-0658E	Fuel Tank, Three Gallon	34.	710-1652	Hex Index Screw, 1/4-20 x.625
14.	751-0603	Fuel Cap	35.	725-04156	Systems Ind. Monitor w/ Ammeter
15.	710-1017	Screw, 1/4-14 x.625	36.	725-1745	Ignition Key w/ plastic cover
16.	710-0895	Self-tapping Screw, 1/4-15 x.75		725-1744	Ignition Key w/o plastic cover
17.	710-3217	Truss Phillips Screw, #8-32 x.375	37.	725-04227	Ignition Switch
18.	712-0142	Hex Nut, #8-32	—	629-04144†	Jumper Harness
19.	731-1857	Throttle Control Knob	—	629-04103†	Wire Harness
20.	731-05001	Dash Panel			

† Not Shown

Model 601

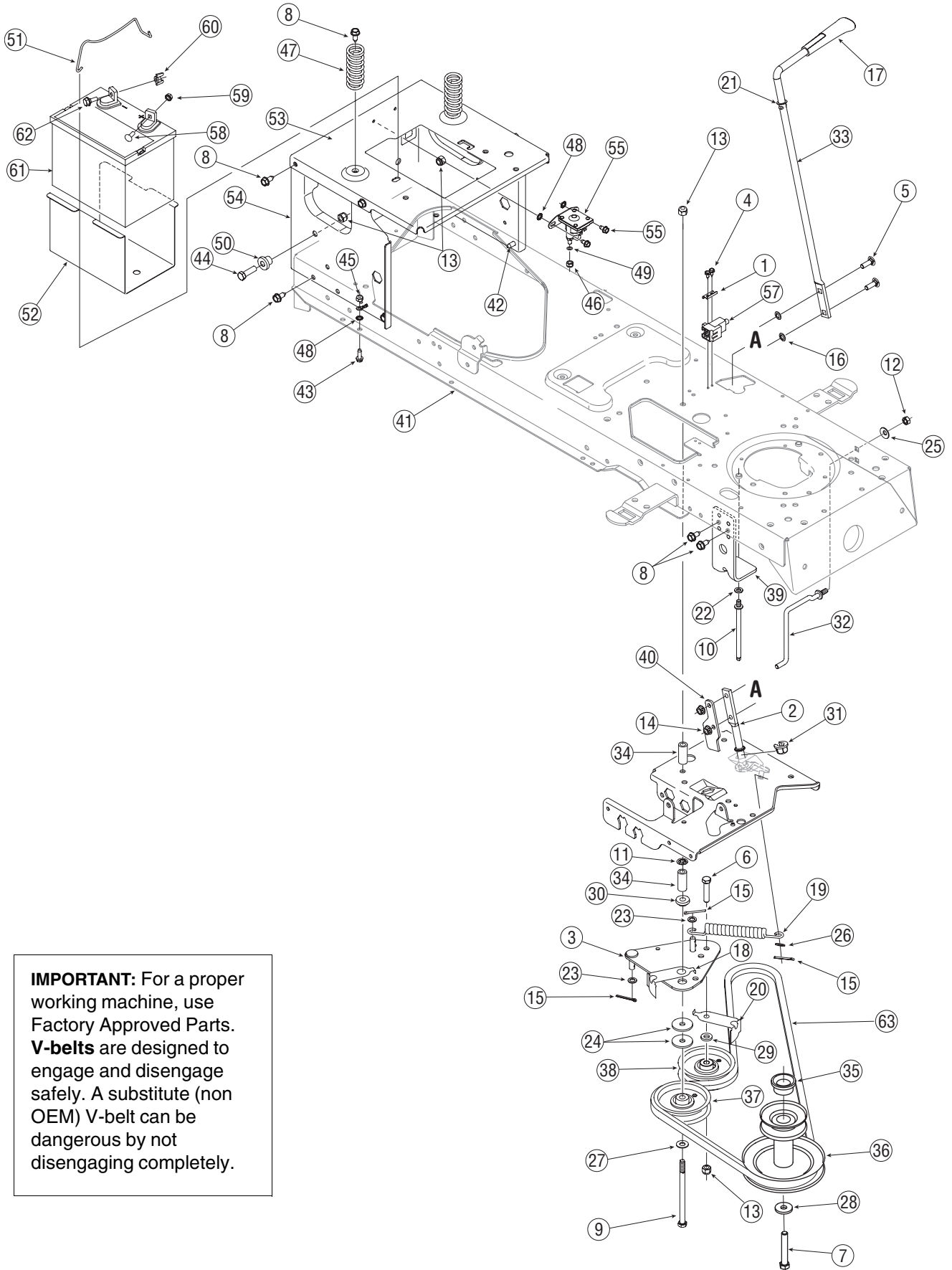


Left Hand Transmission Bolt Mounting

Model 601

REF. NO.	PART NO.	DESCRIPTION	REF. NO.	PART NO.	DESCRIPTION
1	17840	Mounting Bracket, Transaxle	51	712-3004A	Nut, Flange Lock, 5/16-18, Gr5
2	725-04039	Switch, Interlock	52	732-0335	Spring, Compression,.405 x 1.17
3	17962	Plate, Switch	53	732-0955	Spring, Extension,.50 OD x 1.41
4	647-04020	Lever Assembly, Shift	54	732-0963	Spring, Extension,.50 OD x 6.37
5	710-0607	Screw, 5/16-18, 0.500	55	735-0662	Pad
6	710-0726	Screw, 5/16-12, 0.750	56	735-3049	Pad, Brake
7	710-0809	Screw, 1/4-20, 1.250	57	736-0187	Washer, Flat,.64 x 1.24 x.06, Ht
8	710-1007	Screw, Sems, 3/8-16, 1.500	58	736-0262	Washer, Flat,.385 x.870 x.092
9	710-1266	Screw, 5/16-18, 3.50, Gr5	59	736-0300	Washer, Flat,.406 x.875 x.059
10	710-3144	Screw, 3/8-16, 2.00, Gr5	60	736-3008	Washer, Flat,.344 x.750 x.120
11	711-0736	Adjustment Ferrule 1/4-20 x 1.	61	738-0155	Screw, Shoulder.437 Dia x.162
12	712-0241	Nut, Hex, 3/8-24, Gr5	62	738-0380	Screw, Shoulder,.50 x.27 Lg, 3/8-16
13	712-04063	Nut, Flange Lock, 5/16-18, GrF, Nylon	63	741-0225	Bearing, Hex Flange
14	712-0431	Nut, Flange Lock, 3/8-16, GrF, Nylon	64	741-3065B	Split Bearing, Hex Flange
15	712-0700	Nut, Flange, 9/16-18, Gr2	65	747-04093	Rod, Brake Lock
16	714-0104	Pin, Cotter,.072 Dia. x 1.13	66	747-04096	Rod, Cruise Control
17	714-0111	Pin, Cotter, 3/32, 1.0	67	748-04039B	Latch, Cruise Control
18	714-0209	Cotter Pin, Internal,.125 Dia.	68	683-04186	Bracket, Lockout
19	714-0470	Pin, Cotter, 1/8 x 1.25	69	783-0773A	Ped, Brake
20	718-0758A	Pulley Hub, 5/8 Spline	70	783-04612	Bracket, Steering Support
21	720-04028	Knob, Shift	71	618-04034	Transmission, Single Speed
22	723-3018	Ball Joint	72	683-04055A	Bracket Assembly, Torque
23	731-04602	Sleeve,.758 x.821 x 3.3125	73	683-04130	Bracket, Idler
24	731-04604	Sleeve,.758 x.821 x 2.4375	74	710-0227	Screw, #8-18 x.50
25	732-0384	Spring, Extension,.62 Dia x 6.12	75	710-0514	Screw, 3/8-16, 1.00
26	732-0525	Spring Clip, Shifter	76	710-0604A	Screw, 5/16-18,.625
27	732-0716	Spring, Extension,.59 OD x 4.00	77	710-1315	Screw, 3/8-16, 1.250
28	732-0963	Spring, Extension,.50 Dia x 6.37	78	712-0130	Nut, Lock, 3/8-16, Nylon
29	736-0169	Washer, Lock, 3/8	79	725-1644	Switch Spring, Short
30	710-0224	Screw, #10-16,.50	80	726-0320	Plate, Insulator
31	738-0372B	Spacer, Shoulder, 1.00 x.38 x.38	81	750-04294	Spacer, Shoulder
32	747-04146	Rod, Shift	82	756-0116A	Pulley, V-Type, 3.06
33	747-04164	Rod, Brake	83	656-04015	Pulley Assembly, Variable Speed
34	747-1127	Idler Rod, Adjustable, 3/8	84	683-04129	Bracket, Pulley
35	748-0334	Spacer,.68	85	710-0627	Screw, 5/16-24,.750
36	750-0566A	Spacer,.260 x.372 x 1.030	86	710-0642	Screw, 1/4-20,.750
37	754-0467	Belt, V-Type	87	718-04012	Cup, Bearing
38	754-0468	Belt, V-Type	88	736-0362	Washer, Flat
39	756-04002	Pulley, V-Type, 7.25 Dia.	89	741-0600	Ball Bearing
40	756-0981B	Idler Pulley, Flat 2.75 OD	90	783-04707	Switch Bracket, Parking Brake
41	783-04283	Bracket, Shift	91	736-0242	Washer, Bell,.340 x.872 x.060
42	783-04360	Bracket, Shift, F-N-R	92	712-04065	Nut, Flange Lock, 3/8-16, GrF, Nylon
43	783-04442	Idler Bracket, Center Double	93	710-0599	Screw, 1/4-20 x.500
44	647-0031B	Control Assembly, Brake	94	736-0430	Flat Washer,.350 x 1.59 x.062
45	647-0032A	Control Assembly, Speed	95	731-2290A	Hub Cap
46	683-0266	Pedal Assembly	96	736-0119	Lock Washer, 5/16
47	710-0650	Screw, 5/16-18, 0.875	97	634-0104	Whl Ass'y Comp., 20 x 8 x 8
48	710-1260A	Screw,5/16-18, 0.750		734-1730	Tire Only 20 x 8 x 8
49	710-1611B	Screw, 5/16-18, 0.750		734-0603A	Rim Only w/ Valve Stem
50	711-04159B	Pin, 3/8-16 x 2.68			

Model 601

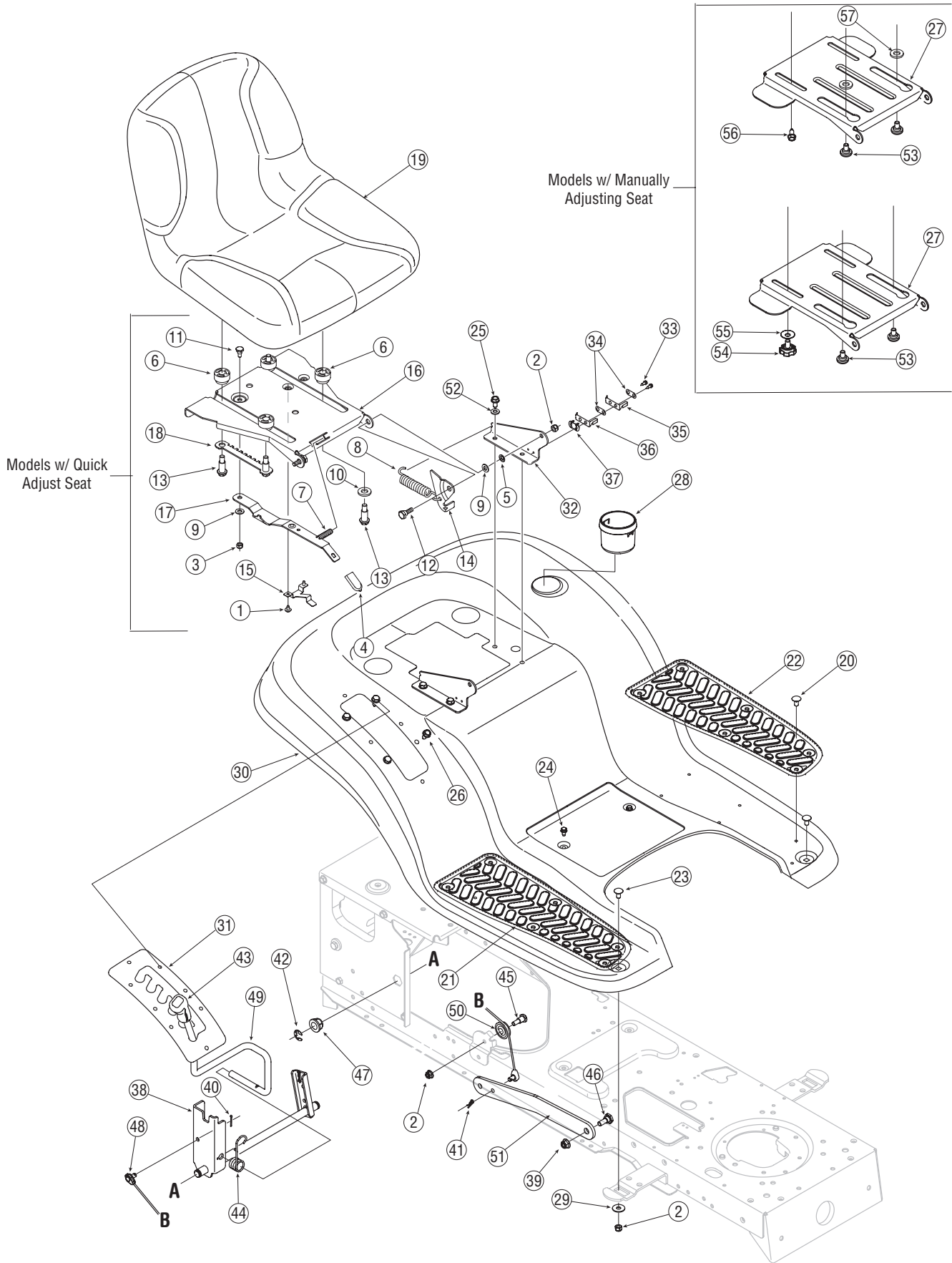


IMPORTANT: For a proper working machine, use Factory Approved Parts. **V-belts** are designed to engage and disengage safely. A substitute (non OEM) V-belt can be dangerous by not disengaging completely.

Model 601

REF. NO.	PART NO.	DESCRIPTION	REF. NO.	PART NO.	DESCRIPTION
1	17962	Plate, Switch	33	747-1112D	Engagement Handle, Deck
2	647-0064	Lever Assembly, Engagement	34	748-0415B	Spacer,.385 ID x.635 OD x 1.54
3	683-0302	Plate Assembly, Engagement	35	750-0956	Spacer, 1.010 x 1.400 x.825
4	710-0224	Screw, #10-16, 0.500	36	756-04142	Pulley, Engine, 3.39 x 6.12 Diameter
5	710-0276	Screw, Carriage, 5/16-18, 1.00	37	756-0487	Pulley, Idler, V-type 5/8 x 4.0 Diameter
6	710-0347	Screw, 3/8-16, 1.75, Gr5	38	756-0627D	Pulley, Idler, 3.50 Diameter
7	710-04377	Screw, 7/16-20, 2.75, Gr5	39	783-04467	Stop Bracket, Deck-Up
8	710-0726	Screw, 5/16-12, 0.750	40	783-0744A	Stop Bracket, Engagement
9	710-0831	Screw, 3/8-16, 5.50, Gr5	41	683-04173	Frame Assembly, Lower
10	711-1044	Pin, Belt Guard, 5/16 x 4.75	42	710-0607	Screw, 5/16-18, 0.500
11	712-0229	Nut, Push, 3/8	43	710-0642	Screw, 1/4-20, 0.750
12	712-04063	Nut, Flange Lock, 5/16-18, GrF, Nylon	44	710-3005	Screw, 3/8-16, 1.25, Gr5
13	712-04065	Nut, Flange Lock, 3/8-16, GrF, Nylon	45	712-04064	Nut, Flange Lock, 1/4-20, GrF, Nylon
14	712-3004A	Nut, Flange Lock, 5/16-18, Gr5	46	712-3006	Nut, Hex, 1/4-20, Gr5
15	714-0470	Pin, Cotter, 1/8 x 1.25	47	732-04035	Spring, Compression, 1.28 OD x 3.125
16	726-0201	Nut, Speed,.3125 ID	48	736-0222	Washer, Lock, 1/4, External
17	731-2111A	Knob, PTO	49	736-0329	Washer, Lock, 1/4
18	732-04245A	Belt Guard	50	738-04058	Spacer, Shoulder,.38 x 1.0 x.70
19	732-0944	Spring, Extension,.75 OD x 6.75	51	747-04121A	Hold Rod, Battery
20	732-1013	Belt Guard	52	783-0349	Battery Tray
21	736-0108	Washer, Flat,.510 x.750 x.033	53	783-04329A	Seat Bracket, Frame
22	736-0119	Washer, Lock, 5/16	54	783-04375A	Frame, Upper
23	736-0140	Washer, Flat,.385 x.62 x.063	55	710-0599	Screw, 1/4-20, 0.50
24	736-0227	Washer, Flat,.390 x 1.500 x.134	56	725-1426A	Solenoid, 12V, 100 Amp
25	736-0242	Washer, Bell,.340 x.872 x.060	57	725-04039	Switch, Interlock
26	736-0275	Washer, Flat,.344 x.688 x.065	58	710-0703	Screw, Carriage, 1/4-20,.75, Gr5
27	736-0300	Washer, Flat,.406 x.875 x.059	59	712-0271	Nut, Sems, 1/4-20
28	736-0322	Washer, Flat,.450 x1.250 x.164	60	712-3087	Nut, Wing, 1/4-20
29	736-3010	Washer, Flat,.407 x.812 x.135	61	725-1750A	Battery, 235 CCA
30	738-0372B	Spacer, Shldr, 1.00 x.38 x.38	62	738-1132	Screw, Shoulder,.250 x.150, 1/4-20
31	741-0708	Bearing, Flange, Hex Split.500 ID	63	754-04064	V-Belt, PTO
32	747-04355	Keeper Rod, Belt			

Model 601



Model 601

REF. NO.	PART NO.	DESCRIPTION	REF. NO.	PART NO.	DESCRIPTION
1	710-1268	Screw, #10-16 x.375	30	783-04314A	Fender
2	712-04063	Nut, Flange Lock, 5/16-18, GrF, Nylon	31	783-1010A	Plate, Deck Lift
3	712-3027	Nut, Flange Lock, 1/4-20	32	783-1489A	Mounting Bracket, Seat
4	720-0309A	Seat Adjuster Grip	33	710-0227	Screw, #8-18 x.50
5	726-0201	Nut, Speed,.3125 ID	34	726-0279	Plate, Insulator
6	731-04074	Spacer	35	725-1303	Spring Switch, Outer
7	732-0499	Compression Spring,.41 x 1.5	36	725-1439	Spring Switch, Inner
8	732-1184	Spring, Extension,.84 Dia. x 4.6	37	726-0278	Plate, Insulator Boss
9	736-0275	Wash, Flat,.344 x.688 x.065	38	683-04079	Shaft Assembly, Lift
10	736-3019	Wash, Flat,.531x 1.062 x.134	39	712-04065	Nut, Flange Lock, 3/8-16, GrF, Nylon
11	738-0137A	Screw, Shoulder,.340 x.285, 1/4-20	40	714-0104	Pin, Cotter,.072 Dia. x 1.13
12	738-0296	Screw, Shoulder,.437 x.268, 5/16-18	41	714-0111	Pin, Cotter, 3/32, 1.0
13	738-0966	Screw, Shoulder,.50 x.925, 3/8-16	42	716-0106A	Ring, E Type,.625 Dia.
14	683-04193	Seat Bracket, Lift	43	720-0311	Grip, Handle, 1/2
15	783-0611	Seat Stop	44	732-0874	Spring, Torsion
16	783-0738B	Seat Pivot Bracket	45	738-0138A	Screw, 5/16-18 x.620 Gr2
17	783-0739A	Seat Adjustment Lever	46	738-0380	Screw, Shld,.50 x.27, 3/8-16
18	783-0753	Seat Adjustment Selector	47	741-0225	Bearing, Hex Flange
19	757-04003	High Back Seat	48	746-0968	Cable, Lift, 16.16
20	726-3046	Ratchet Clip	49	747-04155	Handle, Lift
21	735-0672	RH Foot Pad, Rubber	50	756-1154	Pulley, Roller
22	735-0673	LH Foot Pad, Rubber	51	783-0678A	Arm, Lift
23	710-0451	Bolt, Carriage, 5/16-18,.750, Gr1	52	736-0607	Lock Washer, 5/16
24	710-0599	Screw, 1/4-20, 0.500	53	738-04012	Shoulder Screw
25	710-0726	Screw, 5/16-12, 0.750	54	720-04009	Knob, 3/8-16
26	710-1611B	Screw, 5/16-18 x.750	55	736-0101	Flat Washer,.406 x 1.00 x.030
27	783-04081A	Seat Pivot Bracket, Manually Adjusted	56	710-0870	Hex Head Washer Screw, 3/8-16 x.625
28	731-04591A	Cup Holder	57	736-0335	Thrust Washer,.635 x 1.26 x.06
29	736-3078	Washer, Flat,.344 x 1.0 x.063			

NOTE: Tractor features vary by model. NOT all parts listed above and pictured on the previous page are standard equipment.

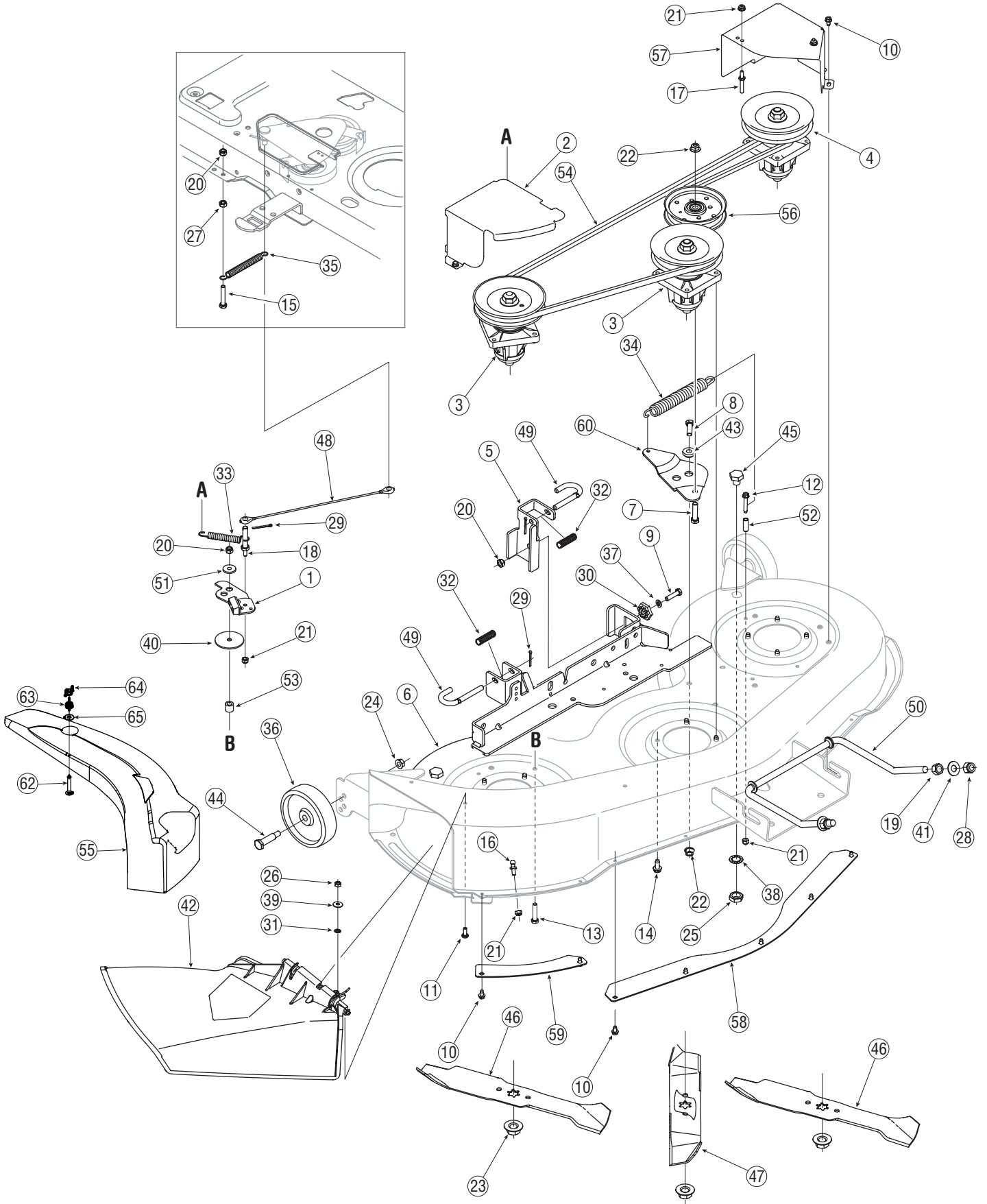
Model 601

REF. NO.	PART NO.	DESCRIPTION
1	732-0614	Ring, Wire
2	716-0231	Ring, E Type,.750
3	736-0336*	Flat Washer, 5/8 x 1.0 x.030
	736-0337*	Flat Washer, 5/8 x 1.0 x.040
	736-0349*	Flat Washer, 5/8 x 1.0 x.020
4	736-0335	Washer, Thrust.635 x 1.26 x.06
5	710-1325	Self-tapping Screw, 1/4-20 x 1.625
6	719-04017	Upper Housing
7	711-1109	Input Shaft
8	741-0335	Needle Bearing,.625 x.813 x.495
9	717-1464	14-tooth Bevel Pinion
10	716-0108	Retaining Ring,.437
11	741-0340	Sleeve Bearing,.75 x 1.0 x 1.0
12	721-0338	Seal,.75 x 1.0 x.125
13	618-04041	Differential Assembly
14	741-0336	Flange Bearing, 5/8 x 3/4 x 3/4
15	717-04056	42-tooth Bevel Gear
17	718-04045	Clutch Collar
19	711-04134	Drive Shaft
20	736-0495*	Thrust Washer, 1.0 x.632 x.0
	736-0494*	Flat Washer,.632 x 1.00 x.035
21	741-0337	Flange Bearing, 5/8 x 3/4 x 15/16
22	611-0011	Detent Shaft Assembly
23	741-0862	Detent Ball
24	732-0863	Compression Spring
25	719-04018	Lower Housing
26	717-0678	Brake Puck
27	761-0202	Brake Disc
28	710-1206	Self-tapping Screw, 1/4-20 x 2.375
29	661-0001	Brake Assembly
—	737-0148	Grease (19 oz.)

*Use applicable washers (ref. no.'s 3 or 20) in this application allowing .0150/.0020 in. end-play.

NOTE: If rebuilding the upper housing, include two ounces (2 oz.) of Unirex® N3 grease (Part No. 737-0289) in the input shaft cavity.

Model 601



Model 601

REF. NO.	PART NO.	DESCRIPTION	REF. NO.	PART NO.	DESCRIPTION
1	17116	Brake Assembly, Deck	34	732-0594A	Spring, Extension,.91 Dia x 7.33
2	17258D	RH Belt Cover, Deck 46"	35	732-04197	Spring, Extension,.68 OD x 5.00 Lg
3	618-0240A	Spindle Assembly, 5.00 Dia.	36	734-0973	Wheel, Deck 5.0 x 1.38
4	618-04134B	Spindle Ass'y, Double Pulley	37	736-0119	Washer, Lock, 5/16
5	683-0254B	Hanger Bracket Assembly	38	736-0225	Washer, Lock, 5/8
6	683-04104A	Deck Weldment	39	736-0270	Washer, Bell,.265 x.75 x.062
7	710-0344	Screw, 3/8-16, 1.50, Gr5	40	736-0418A	Washer, Flat,.34 x 2.25 x.10
8	710-0514	Screw, 3/8-16, 1.00, Gr5	41	736-3084	Washer, Flat,.51 x 1.12 x.06
9	710-0528	Screw, 5/16-18, 1.25, Gr5	42	731-1032B	Chute Assembly
10	710-0599	Screw, 1/4-20, 0.500	43	738-0347	Spacer, Shoulder,.625 ID x.169
11	710-3015	Screw, 1/4-20 x.75, Gr5	44	738-0373	Spacer, Shoulder,.498 x 1.53, 3/8-16
12	710-0778	Screw, 1/4-20, 1.500	45	738-04146	Plug, Screw, M16 x 1.5
13	710-0805	Screw, 5/16-18, 1.50, Gr5	46	742-0611A	Blade, 16.28", Star 3-in-One
14	710-1260A	Screw, Ld, 5/16-18, 0.750	47	742-0612A	Blade, 14.88", Star 3-in-One
15	710-3180	Screw, 5/16-18, 1.75, Gr5	48	746-1107	Cable, 12.00"
16	711-04069	Pin, Grass catcher, 1/4-20	49	747-1116	Rod, Deck Release
17	711-0993	Belt Guard Pin 1/4 Dia x 1.43	50	747-1130B	Rod, Deck
18	711-1554	Pin, 1/4-20, 3/8 x 2.0	51	748-0234	Shoulder Spacer
19	712-0206	Nut, Hex, 1/2-13, Gr5	52	750-0566A	Spacer,.260 x.372 x 1.030
20	712-04063	Nut, Flange Lock, 5/16-18, GrF, Nylon	53	750-1320	Spacer,.375 x.63 x.595
21	712-04064	Nut, Flange Lock, 1/4-20, GrF, Nylon	54	754-0349	Belt, V-Type, Poly
22	712-04065	Nut, Flange Lock, 3/8-16, GrF, Nylon	55	731-1636†	Mulch Plug
23	712-0417A	Nut, Flange, 5/8-18	56	756-04129	Pulley, Idler, 4.25" Dia.
24	712-0431	Nut, Flange Lock, 3/8-16, GrF	57	783-1348B	Belt Cover, LH
25	712-0641	Nut, Hex, M16-1.5	58	783-0141	Deck Skirt, Center
26	712-3006	Nut, Hex, 1/4-20, Gr5	59	783-0142	Deck Skirt, RH
27	712-3010	Nut, Hex, 5/16-18, Gr5	60	783-04641	Bracket, Idler
28	712-3083	Nut, Hex Lock, 1/2-13, Gr8, Nylon	61	783-1025	Stop, Chute
29	714-0470	Pin, Cot, 1/8 x 1.25	62	710-0578†	Screw, 1/4-20 x 1.500
30	717-04074	Adjustment Gear, Deck	63	712-3006†	Hex Nut, 1/4-20
31	726-0233	Nut, Push,.25 ID x.50 OD	64	712-3087†	Wing Nut, 1/4-20
32	732-0306A	Spring, Compression,.531 OD x 1.75	65	736-0173†	Flat Washer,.28 x.74 x.063
33	732-0429A	Spring, Extension,.50 Dia x 3.97			

† If Equipped

IMPORTANT: For a proper working machine, use Factory Approved Parts. **V-belts** are designed to engage and disengage safely. A substitute (non OEM) V-belt can be dangerous by not disengaging completely.

NOTE: Tractor features vary by model. **NOT** all parts listed above and pictured on the previous page are standard equipment.