
SECTION 11: ATTACHMENTS & ACCESSORIES

The following attachments and accessories are compatible for your **MTD garden tractor**. See your authorized service dealer or the retailer from which you purchased your tractor for information regarding price and availability.

ATTACHMENTS

OEM-190-964	Rear Tire Chain Set
OEM-190-823	42-inch Two-stage Snow Thrower
OEM-190-833	46-inch Front Dozer Blade
OEM-190-193	50-inch Deck Mulch Kit
OEM-190-608	Sleeve Hitch, Manual Lift
OEM-190-824	Sleeve Hitch with Electric Lift
OEM-190-826	Front End Weight Kit
OEM-190-192	Triple Bagger Grass Collector
OEM-190-215	Rear Wheel Weights (62 lbs.)
OEM-190-607*	Deluxe Tractor Sunshade
OEM-190-751*	Tractor Snow Cab
OEM-190-184	40" Dethatcher

**Not compatible with tractors equipped with a Grass Collector.*

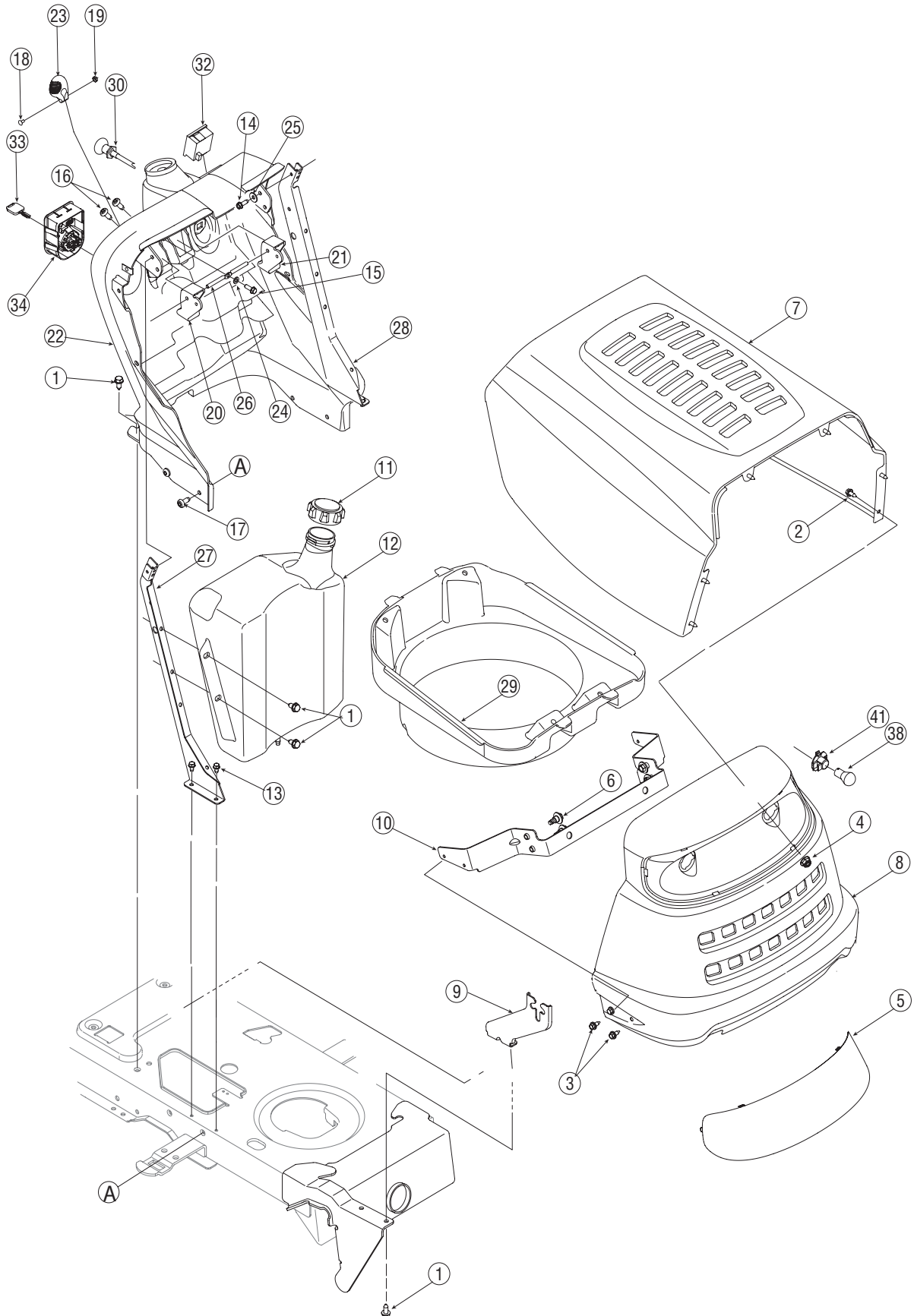
SLEEVE HITCH ATTACHMENTS

OEM-190-825	30-inch Hydraulic Tiller †
OEM-190-978	10-inch Mulboard Plow ‡
OEM-190-980	Single-disc Harrow ‡
OEM-190-984	Row Crop Cultivator ‡
OEM-190-804	42-inch Heavy Duty Rear Blade ‡

† OEM-190-824 is required for use of this attachment. **190-608 can NOT be used in its place.**

‡ Either OEM-190-824 or OEM-190-608 is required for use of this attachment.

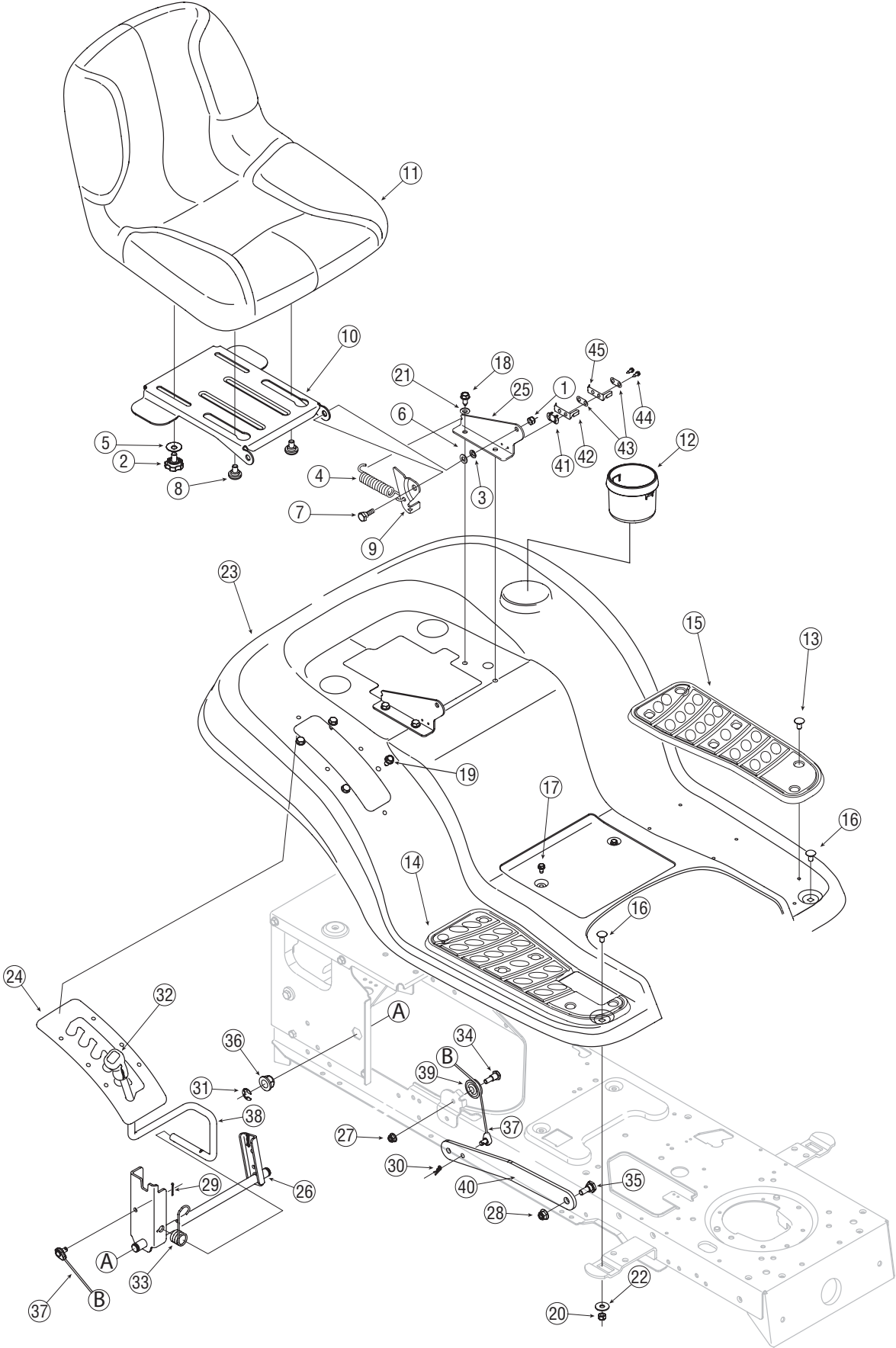
SECTION 12: PARTS LIST FOR MODEL 811



Model 811

REF. NO.	PART NO.	DESCRIPTION
1.	710-0726	Screw, 5/16-12, 0.750
2.	710-0751	Hex Head Cap Screw 1/4-20 x .620
3.	710-1652	Hex Washer Hd Tapp Screw 1/4-20 x .625
4.	712-04064	Flange Lock Nut 1/4-20
5.	731-04949	No. 1 Style Grill Lens
6.	738-04091	Shoulder Tapp Screw .43 x .29 5/16-18
7.	783-04551	No. 1 Style Hood
8.	783-04552	No. 1 Style Grill LT-5
9.	783-04578	Pivot Bracket RH
	783-04577	Pivot Bracket LH (Not Shown)
10.	783-04621	No. 1 Style Grill Pivot Bracket
11.	751-0603	Fuel Cap
12.	751-0658E	3 Gal. Fuel Tank
13.	710-0599	Hex Washer Tapp Screw 1/4-20 x .500
14.	710-0642	Hex Washer Tapp Screw 1/4-20 x .750
15.	710-0895	Hex Washer Lock Screw 1/4-15 x .750
16.	710-1017	Screw, 1/4-14, 0.625
17.	710-1611B	Screw, 5/16-18, 0.750
18.	710-3217	Screw, Machine, #8-32, 0.375
19.	712-0142	Nut, Hex, #8-32
20.	731-04215	Cruise Dash Lever Style 8&9
21.	731-04217	Brake Dash Lever Style 8&9
22.	731-05005	Dash Panel W/ Evac Style 8&9
23.	731-1857	Control Knob
24.	736-0142	Washer, Flat, .281 x .50 x .063
25.	736-0270	Washer, Bell, .265 x .75 x .062
26.	747-1196	Bent Lever Rod
27.	783-04285B	Support Plate, Dash, RH
28.	783-04323B	Support Plate, Dash, LH
29.	731-05165	No. 1 Style Hood Plenum
30.	746-1085A	Choke Control
31.	746-1086	Throttle Cable (Not Shown)
32.	725-04036A	Hour Indicator Meter
33.	725-1745	Key
34.	725-1744	Key Module Switch
35.	17962	Switch Plate (Not Shown)
36.	629-04137	Kohler Electric Harness (Not Shown)
37.	725-04039	Interlock Switch (Not Shown)
38.	725-0963	Miniature Lamp 12 V Socket
39.	710-0224	Screw #10-16 (Not Shown)
40.	725-1649	Lamp Socket 1/4 turn (Not Shown)
41.	725-1752	Electric PTO Switch (Not Shown)

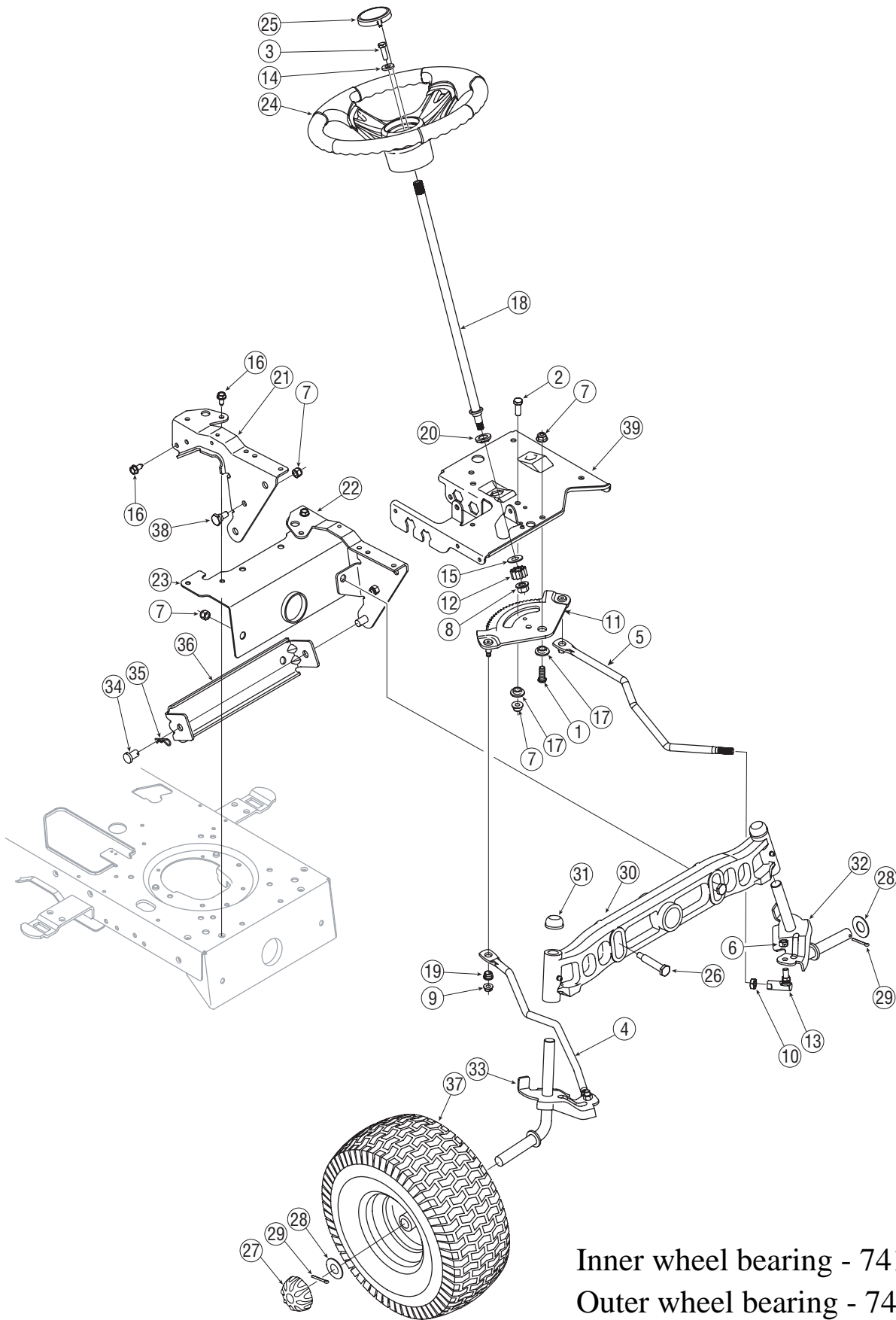
Model 811



Model 811

REF. NO.	PART NO.	DESCRIPTION	REF. NO.	PART NO.	DESCRIPTION
1.	712-04063	Flange Lock Nut, 5/16-18	24.	783-1010A	Deck Life Plate Style 10
2.	720-04009	Knob 3/8-16 x .625	25.	783-1489A	Seat Mounting Bracket
3.	726-0201	Speed Clip	26.	683-04079	Lift Shaft Assembly
4.	732-1184	Extension Spring,.84 x 4.6	27.	712-04063	Flange Lock Nut, 5/16-18
5.	736-0101'	Flat Washer, .406 x 1.00 .030	28.	712-04065	Flange Lock Nut, 3/8-16
6.	736-0275	Flat Washer, .344 x .688 x .065	29.	714-0104	Hairpin Clip
7.	738-0296	Shoulder Screw,.437 x.286	30.	714-0111	Cotter Pin
8.	738-04012	Shoulder Screw .625 x .175: 3/8-16	31.	716-0106A	E-Ring
9.	783-0209C	Seat Lift Bracket	32.	720-0311	Handle Grip
10.	783-04081A	Seat Pivot Bracket, Manual Adjustment	33.	732-0874	Torsion Spring
11.	757-04003	High Back Seat Black	34.	738-0138A	Hex Cap Screw, 5/16-18 x.62
12.	731-04591A	Cup Holder	35.	738-0380	Shoulder Screw, 3/8-16
13.	726-3046	Ratchet Clips	36.	741-0225	Hex Flange Bearing
14.	735-0672	Foot Pad - RH	37.	746-0968	Lift Cable, 16.16
15.	735-0673	Foot Pad - LH	38.	747-04155	Lift Handle
16.	710-0260A	Carriage Bolt, 5/16 x.62	39.	756-1154	Roller Pulley
17.	710-0599	Self-tapping Screw, 1/4-20 x.50	40.	783-0678A	Arm Lift
18.	710-0726	Self-tapping Screw, 5/16-18 x.625	41.	726-0278	Plate, Insulator Boss
19.	710-1611B	Self-tapping Screw, 5/16-18 x.75	42.	725-1439	Spring Switch, Outer
20.	712-04063	Flange Lock Nut, 5/16-18	43.	726-0279	Plate, Insulator
21.	736-0607	Lock Washer 5/16	44.	725-1303	Spring Switch, Inner
22.	736-3078	Flat Washer,.349 x 1.0 x.063	45.	710-0227	Screw, #8-18 x .50
23.	783-04437A	Fender Style 7			

Model 811

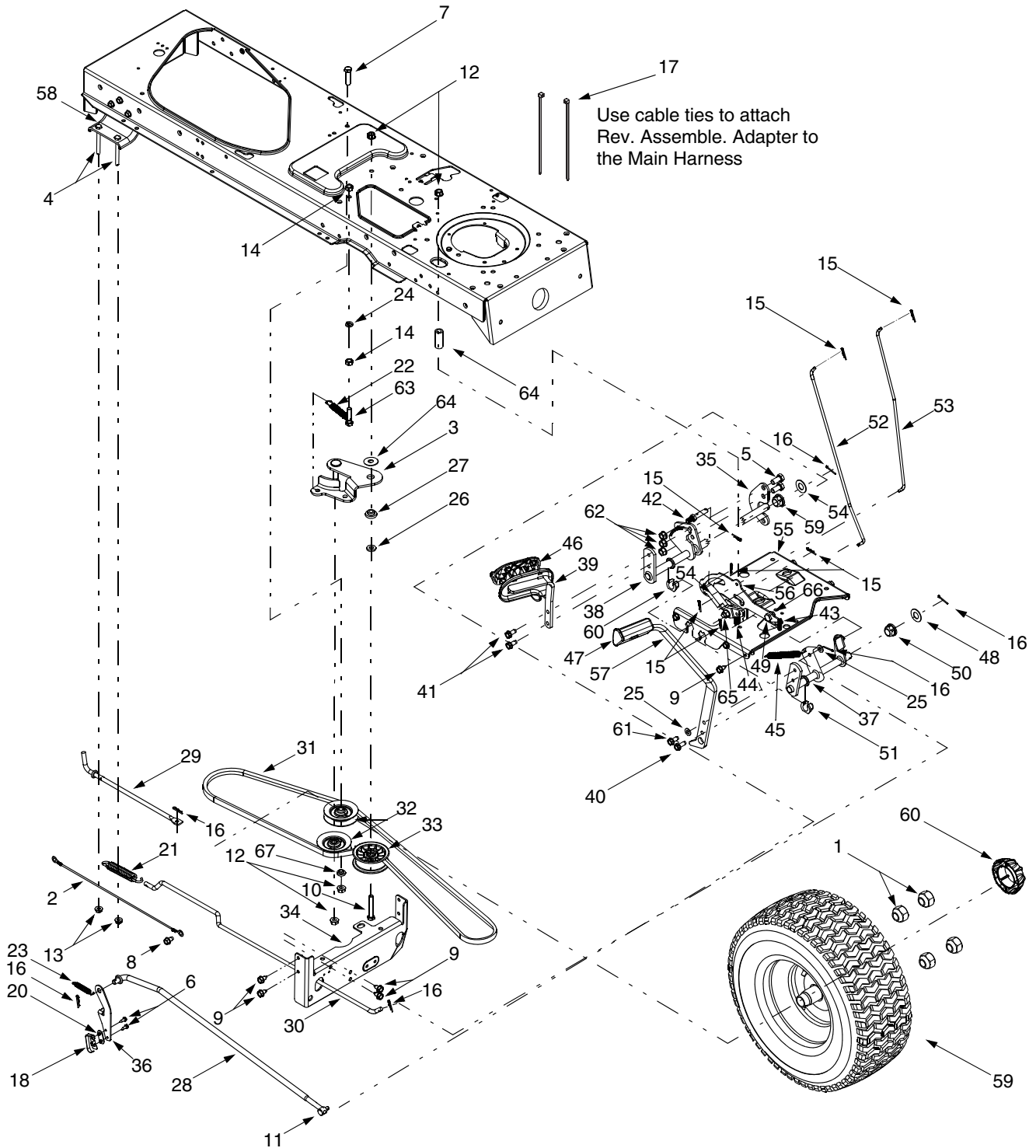


Inner wheel bearing - 741-0990
Outer wheel bearing - 741-0516

Model 811

REF. NO.	PART NO.	DESCRIPTION
1	710-04095	Hex Screw, 3/8-16, 1.00, Gr5
2	710-0514	Hex Screw, 3/8-16, 1.00, Gr5
3	710-0643	Hex Screw, 5/16-18, 1.00, Gr5
4	711-1408	Link, Drag, RH
5	711-1409A	Link, Drag, LH
6	712-0214	Nut, Hex Lock, 3/8-24
7	712-04065	Nut, Flange Lock, 3/8-16, Grf, Nylon
8	712-0459	Nut, Flange Lock, 7/16-20
9	712-3004A	Nut, Flange Lock, 5/16-18, Gr5
10	712-0240	Nut, Jam, 7/16-20, Gr2
11	717-1550E	Gear, Steering, 11/90 Ratio
12	717-1554	Gear, Pinion, Steering
13	723-0448A	Ball Joint, 7/16-20, Lock
14	736-3004	Washer, Flat, .406 x .875 x .105
15	736-3084	Washer, Flat, .51 x 1.12 x .06
16	710-0726	Screw, 5/16-12, 0.750
17	738-04154	Spacer, Shoulder, .38 x 1.00 x .31
18	738-1001A	Shaft, Steering, .625 OD x 24.25 Lg
19	741-0475	Plastic Bushing .380 ID
20	741-0656A	Hex Flange Bearing 5/8 PM
21	783-0726D	Pivot Bracket, Support RH
22	783-0727C	Pivot Bracket, Support LH
23	783-0728	Pivot Bracket, Bar
24	631-04008	Steering Wheel, 13.25
25	731-04040	Steering Wheel Cap, Round
26	738-1011A	Shoulder Screw, .5 x 2.2, 3/8-16
27	734-2290A	Deluxe Hub Cap
28	736-0316	Flat Washer, .78 x 1.589 x .06
29	714-04039	Cotter Pin, 5/32 x 1.25
30	719-04105	Cast Iron Pivot Bar
31	726-0341	Push Cap
32	638-04003	LH Axle Assembly, .750
33	638-04004	RH Axle Assembly, .750
34	711-0332	Pin, Clevis, .50 x .78
35	714-04023	Cotter Pin, Internal, .080 x 1.5625
36	783-0720A	Adjustment Bracket, Front
37	634-04088A	Wheel Assembly Complete,
	734-04148	Tire Only 16 x 7.5 x 8
	634-04082	Rim Only w/ Valve Stem
	734-0255	Tubeless Air Valve
38	738-0143	Screw, Shoulder, .498 x .340, 3/8-16
39	783-04612	Steering Support Bracket

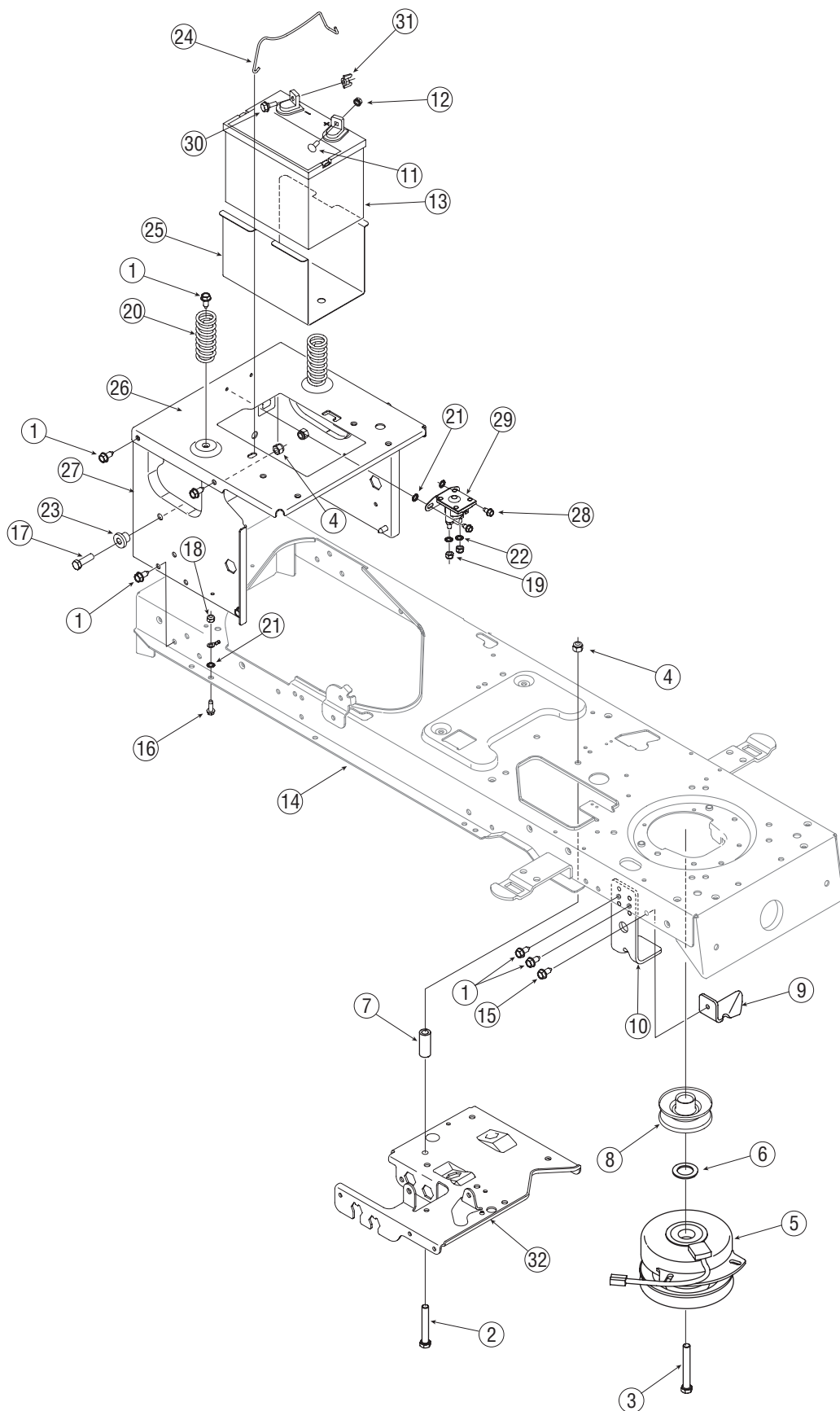
Model 811



Model 811

REF. NO.	PART NO.	DESCRIPTION	REF. NO.	PART NO.	DESCRIPTION
1.	712-3050	Lug Nut, 3/4-16	37.	647-0031B	Brake Control Assembly
2.	629-0949A	Reverse/Grnd Wire Harness Adptr.	38.	647-0049A	Drive Control Assembly
3.	783-04442	Double Idler Bracket	39.	683-0267C	Hydro Pedal Assembly
4.	710-0176	Hex Cap Screw, 5/16-18 x 2.75	40.	710-0650	Self-tapping Screw, 5/16-18 x.875
5.	710-0216	Hex Cap Screw, 3/8-16 x.75	41.	710-1260A	Self-tapping Screw, 5/16-18 x.75
6.	710-0227	Screw, #8-18 x.5	42.	711-04159B	Pin, 3/8-16 x 2.43
7.	710-1007	Hex Cap Screw, 3/8-16 x 1.5	43.	732-0335	Compression Spring,.40 OD x 1.17
8.	710-0599	Self-tapping Screw, 1/4-20 x.50	44.	732-0955	Extension Spring,.50 OD x 1.41
9.	710-0726	Self-tapping Screw, 5/16-12 x.75	45.	732-0963	Extension Spring,.50 OD x 6.37
10.	710-3011	Hex Cap Screw, 3/8-16 x 2.25	46.	735-0662	Drive Pedal Pad
11.	711-0832	Ferrule, 3/8-24	47.	735-3049	Brake Pedal Pad
12.	712-0431	Flange Lock Nut, 3/8-16	48.	736-0187	Flat Washer,.64 x 1.24 x.06
13.	712-04063	Flange Lock Nut, 5/16-18	49.	738-0155	Shoulder Screw,.437 x 1.62
14.	712-3017	Hex Nut, 3/8-16	50.	741-0225	Hex Flange Bearing
15.	714-0104	Internal Cotter Pin	51.	741-3065B	Split Hex Flange Bearing
16.	714-0111	Cotter Pin	52.	747-04096	Cruise Control Rod
17.	725-0157	Cable Tie	53.	747-04093	Brake Lock Control Rod
18.	725-1644	Short Spring Switch	54.	748-04039B	Cruise Latch
19.	726-0154	Push-mount Cable Tie (Not Shown)	55.	783-04612	Steering Support Bracket
20.	726-0320	Insulator Nut Plate	56.	783-04185	Drive Lockout Bracket
21.	732-0716	Extension Spring,.59 x 4.0	57.	783-0773A	Brake Pedal
22.	732-0429A	Extension Spring,.5 x 3.97	58.	783-0693	Transmission Axle Bracket
23.	732-3118	Extension Spring, 3/8 x 1.44	59.	634-0202A	Wheel Assembly Comp. 23 x9.5 x12
24.	736-0169	Lock Washer, 3/8		634-3178	Rim Only 12.0 x 7.0
25.	736-3008	Flat Washer,.344 x.750 x.120		734-0255	Air Valve (Not Shown)
26.	736-3010	Flat Washer,.407 x.812 x.135		734-04147	Tire Only 23.0 x 10.5 x 12 Sq Shoulder
27.	738-0372B	Shoulder Spacer,.38	60.	734-2290A	Hub Cap
28.	747-1119	Hydrostatic Control Rod	61.	710-1611B	Self-tapping Screw, 5/16-18 x.75
29.	747-1121	Hydrostatic Bypass Rod	—	618-0379	Hydrostatic Transmission Assembly
30.	747-04140	Hydrostatic Brake Rod	62.	712-04065	Flange Lock Nut 3/8-16
31.	754-0349	Drive Belt	63.	710-0344	Hex Cap Screw, 3/8-16 x 1.5
32.	756-0116A	V-idler Pulley, 3.06	64.	736-0320	Flat Washer.38 x 1.38 x.125
33.	756-0981B	Flat Idler Pulley, 2.75	65.	738-0380	Shoulder Screw 3/8-16.50 x.27
34.	783-0667B	Transmission Torque Bracket	66.	712-3004A	Flange Lock Nut, 5/16-18
35.	783-0745	Speed Control Bracket	67.	750-0535	Spacer .38 x .625 x .21
36.	783-0782	Switch Actuator Bracket			

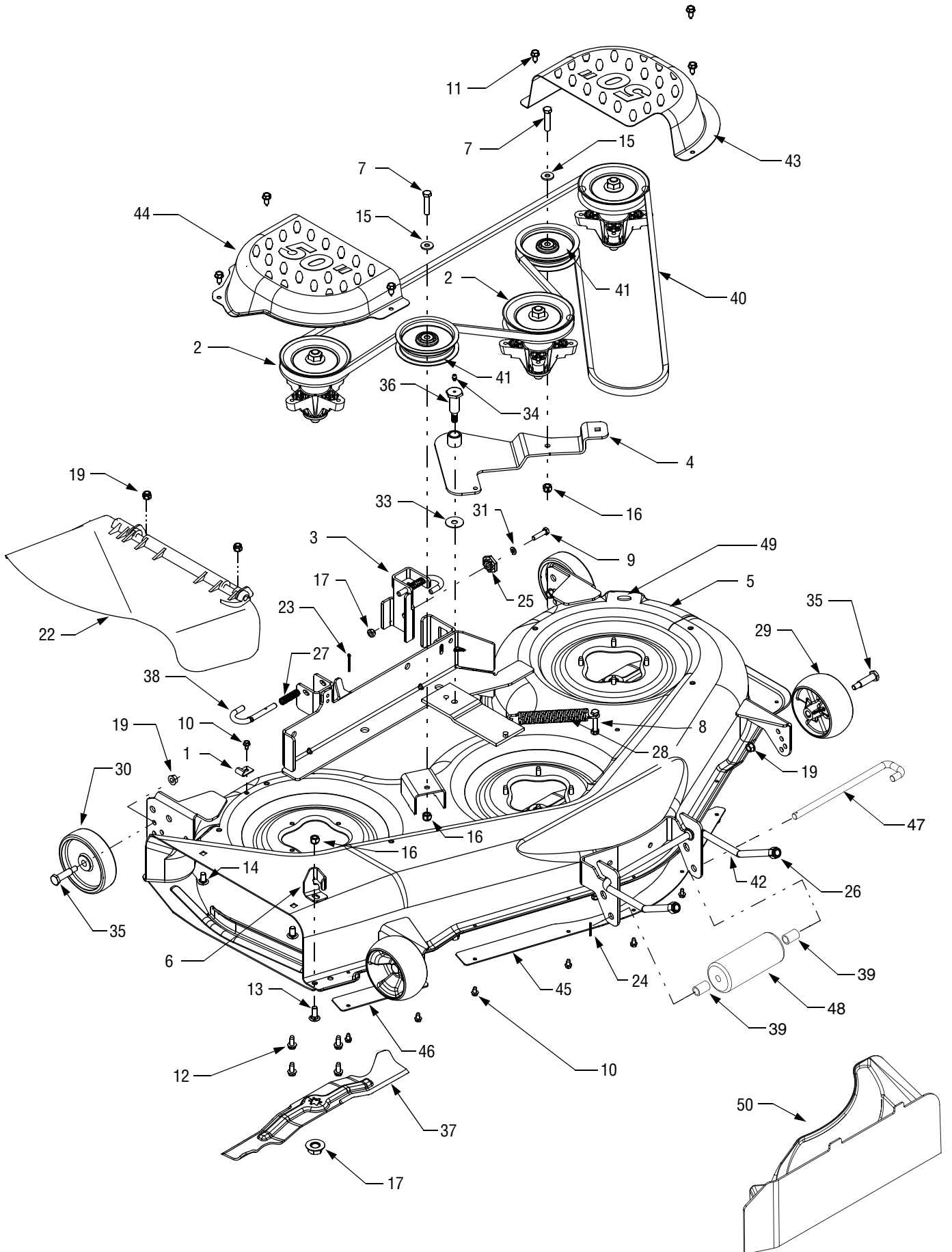
Model 811



Model 811

REF. NO.	PART NO.	DESCRIPTION
1.	710-0726	Screw, 5/16-12, 0.75
2.	710-0859	Screw, 3/8-16, 2.50, Gr5
3.	710-3157A	Screw, 7/16-20, 3.25, Gr5, Lock
4.	712-04065	Nut, Flange Lock, 3/8-16, GrF, Nylon
5.	717-04174	PTO Clutch, Electric
6.	736-0277	Washer, Flat, 1.031 x 1.620 x .095
7.	748-0415B	Spacer, .385 ID x .635 OD x 1.54
8.	756-0978A	Pulley, Engine, 3.56 Diameter
9.	783-04419A	Clutch Bracket
10.	783-04467	Deck Bracket, Up-Stop
11.	710-0703	Screw, Carriage, 1/4-20, .75, Gr5
12.	712-0271	Nut, Sems, 1/4-20
13.	725-1750A	Battery, 235 CCA
14.	683-04173	Frame Assembly, Lower
15.	710-0607	Screw, 5/16-18, 0.500
16.	710-0642	Screw, 1/4-20, 0.750
17.	710-3005	Screw, 3/8-16, 1.25, Gr5
18.	712-04064	Nut, Flange Lock, 1/4-20, GrF, Nylon
19.	712-3006	Nut, Hex, 1/4-20, Gr5
20.	732-04035	Spring, Compression, 1.28 OD x 3.125
21.	736-0222	Washer, Lock, 1/4, External
22.	736-0329	Washer, Lock, 1/4
23.	738-04058	Spacer, Shoulder, .38 x 1.0 x .70
24.	747-04121A	Hold Rod, Battery
25.	783-0349	Battery Tray
26.	783-04329A	Seat Bracket, Frame
27.	783-04376A	Frame, Upper
28.	710-0599	Screw, 1/4-20, 0.50
29.	725-1426	Solenoid, 12V, 100 Amp
30.	738-1132	Screw, Shoulder, .250 x .15, 1/4-20
31.	712-3087	Nut, Wing, 1/4-20
32.	783-04612	Support Bracket, Steering

Model 811

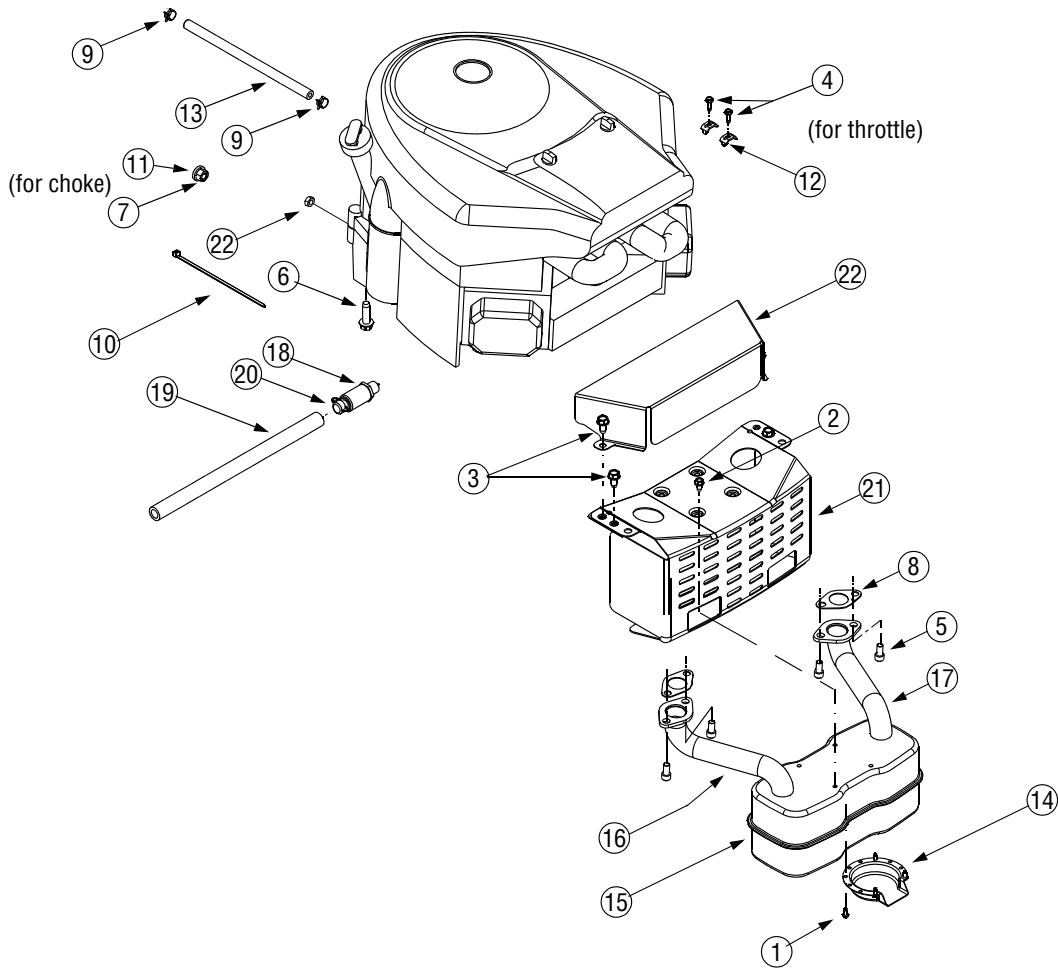


Model 811

REF. NO.	PART NO.	DESCRIPTION	REF. NO.	PART NO.	DESCRIPTION
1	16606	Hook, Retainer	26	712-3083	Lock Nut, Hex, 1/2-13, Nylon
2	618-04126	Spindle Assembly	27	732-0306A	Spring, Compression,.531 x 1.75
3	683-0254B	Hanger Bracket Assembly	28	732-0459B	Spring, Extension,.94 x 6.74
4	683-04098	Idler Bracket	29	734-04039	Deck Wheel, 5.0
5	683-04109B	Weldment, 50-inch Deck	30	734-0973	Deck Wheel, 5.0
6	703-3279	Chute Stop	31	736-0119	Washer, Lock, 5/16, Regular Duty
7	710-0347	Screw, 3/8-16, 1.75	32	736-0407	Washer, Bell,.45 x 1.0 x.062
8	710-3103	Screw, 5/16-18 x 2.00	33	736-0406	Washer, Flat,.442 x 1.38 x.060
9	710-0528	Screw, 5/16-18, 1.25, Gr5	34	737-3000	Fitting, Lube, 3/16
10	710-0599	Screw, 1/4-20 x 0.5	35	738-0373	Shoulder Screw
11	710-0607	Screw, 5/16-18 x.625	36	738-3005A	Screw, Shoulder,.68 x 1.59
12	710-1260A	Screw, 5/16-18 x.75	37	742-04053A	Blade
13	710-3168	Screw, Carriage, 3/8-16 x 1.0	38	747-1116	Rod, Handle, Deck Release.375 Via
14	710-3178	Screw, Carriage, 3/8-16 x.75	39	750-0151	Spacer,.550 x.755 x 1.1
15	736-0300	Washer, Flat,.406 x.875 x.059	40	754-04077	Belt, V-Type, Aramid
16	712-04065	Nut, Nylon Lock, 3/8-16	41	756-04129	Pulley, Idler, 3.5"
17	712-0417A	Nut, Hex, Flange, 5/8-18	42	747-1324	Rod, Deck Adjustment
18	712-04063	Nut, Nylon Lock, 5/16-18	43	783-04399	LH Belt Cover
19	712-0431	Nut, Flange Lock, 3/8-16	44	783-04400	RH Belt Cover
20	712-3010	Nut, Hex, 5/16-18, Gr5	45	783-04414	Deck Skirt, Center
21	712-3019	Nut, 7/16-14	46	783-04415	Deck Skirt, RH
22	631-04070	Chute Assembly, Side Discharge	47	711-1737	Roller Pin, 5"
23	714-0470	Pin, Cotter, 1/8 x 1.25	48	731-3005	Front Roller
24	714-0111	Pin, Cotter, 3/32 x 1.25	49	738-04146	Screw Plug
25	717-04074	Deck Adjustment Gear	50	731-04651	Mulching Plug

IMPORTANT: For a proper working machine, use Factory Approved Parts. **V-belts** are designed to engage and disengage safely. A substitute (non OEM) V-belt can be dangerous by not disengaging completely.

Model 811



REF. NO.	PART NO.	DESCRIPTION	REF. NO.	PART NO.	DESCRIPTION
1	710-0227	Screw, #8-18 x .50	12	751B221535	Casing Clamp
2	710-0599	Screw, 1/4-20 x .50	13	751-0535	Fuel Line Hose
3	710-0726	Screw, 5/16-18 x .750	14	751-0564A	Muffler Deflector
4	710-1237	Screw, #10-32 x .625	15	751-0805	Muffler, Twin Inlet
5	710-1314A	Socket Cap Screw, 5/16-18 x .625	16	751-0645A	RH Exhaust Pipe
6	710-1315	Self-tapping Screw, 3/8-16 x 1.25	17	751-0644B	LH Exhaust Pipe
7	712-3005	Hex Flange Lock Nut, 3/8-16	18	751-3140	Oil Drain Valve
8	721-0460	Exhaust Gasket	19	751-3141	Oil Drain Hose
9	726-0205	Hose Clamp	20	751-3142	Oil Drain Cap
10	725-0157	Cable Tie	21	783-0615D	Muffler Heat Shield
11	736-0300	Lock Washer, .406 x .875 x .059	22	712-0271	Sems Nut, 1/4-20

