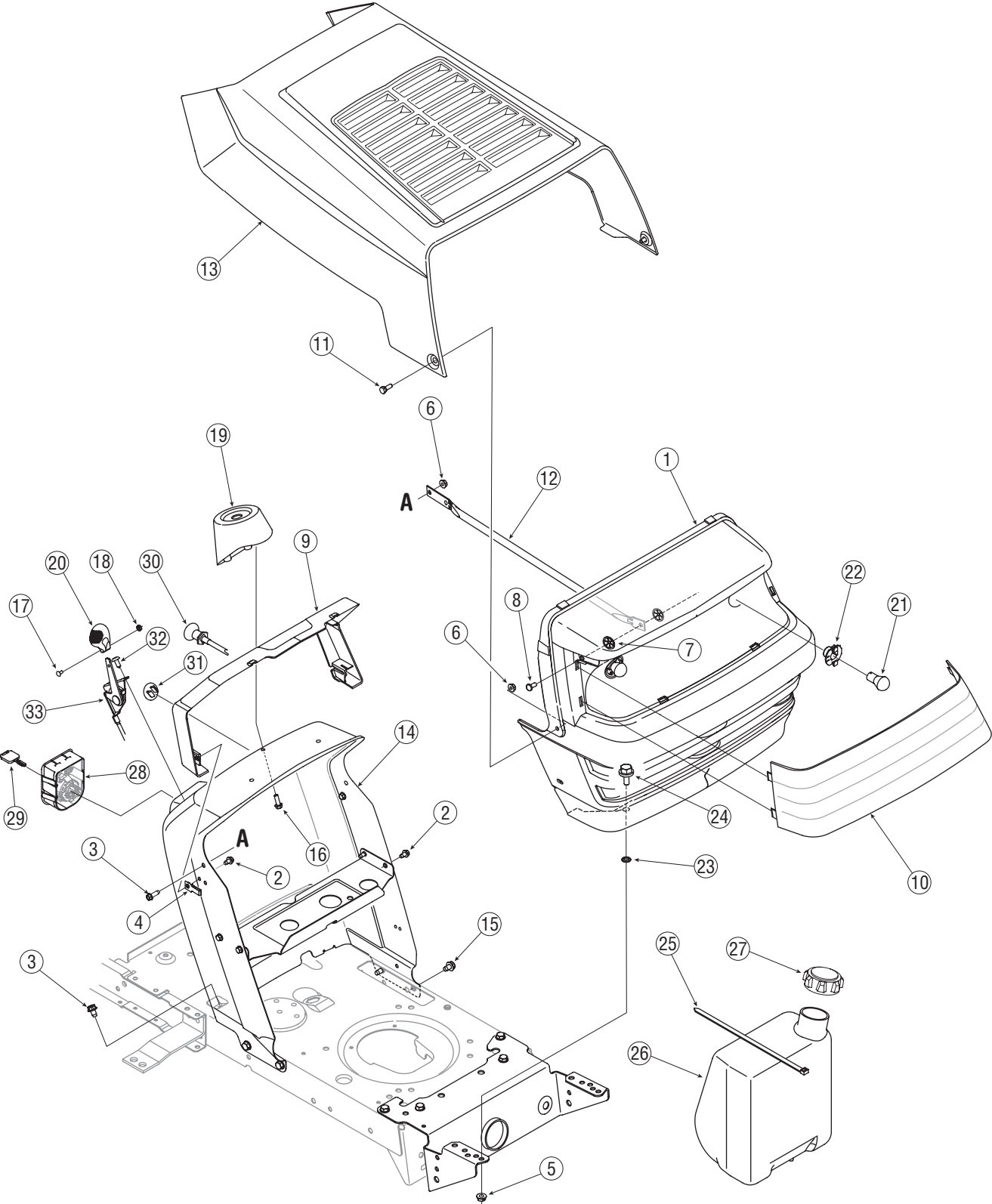


Models 760 & 770

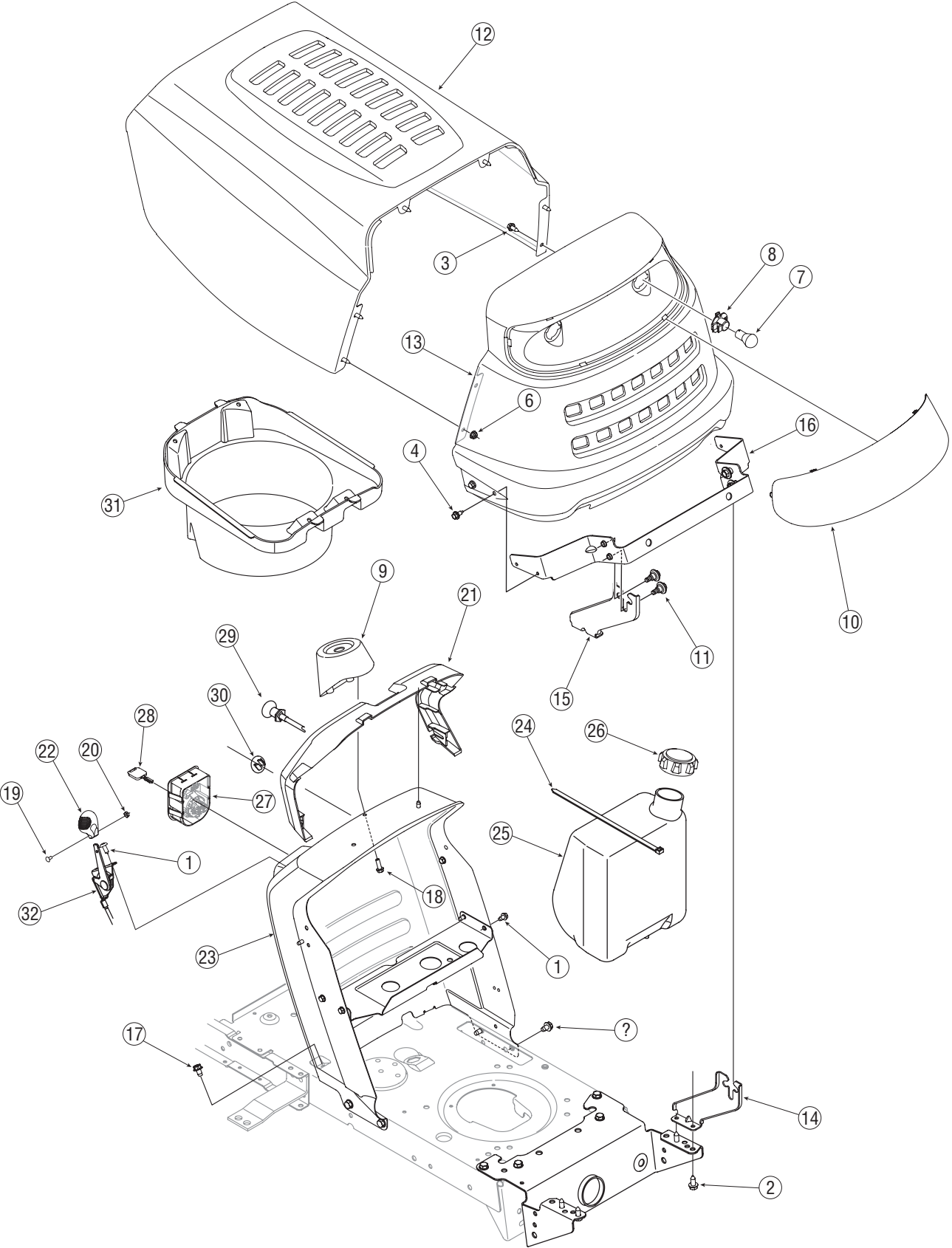


Models 760 & 770

REF. NO.	PART NO.	DESCRIPTION
1	731-1097F	Grille
2	710-0599	Screw, 1/4-20, 0.500
3	710-0642	Screw, 1/4-20, 0.750
4	712-0185	Nut, 1/4-20, Speed U-type
5	712-04063	Nut, Flange Lock, 5/16-18, GrF, Nylon
6	712-04064	Nut, Flange Lock, 1/4-20, GrF, Nylon
7	726-04012	Nut, Push-on, .25 Dia
8	728-0162	Rivet, Flat Head 1/4"
9	731-05012	Collar, Dash, 0-Style
10	731-1099A	Lens
11	738-0952A	Screw, Shoulder, .375 x .125, 1/4-20
12	749-0722C	Support Rod, Grill
13	783-04608	Hood
14	683-04189	Dash Assembly
15	710-0607	Screw, 5/16-18, 0.500
16	710-0895	Screw, 1/4-15, 0.750
17	710-3217	Screw, Machine, #8-32, 0.375
18	712-0142	Nut, Hex, #8-32, GrA
19	731-04945	Support, Steering
20	731-1857	Knob, Control
21	725-0963	Headlamp, 12V
22	725-1649	Headlamp Socket
23	726-0201	Speed Nut, .3125
24	738-04015	Shoulder Screw, 5/16-18 x .625
25	726-0230	Cable Tie, 34.75
26	751-0555B	Fuel Tank, 1.5 gal.
27	751-0603	Fuel Tank Cap
28	725-04227	Module, Ignition Switch
29	725-1744	Key
30	746-1085A	Choke Control, 37.5"
31	731-1999	Plug
32	710-1017	Screw, 1/4-14, .625
33	746-1084	Throttle/Choke Control, 25" (Single Cylinder Engine)
	746-1086	Throttle Control, 39" (Twin Cylinder Engine)

NOTE: Tractor features vary by model. NOT all parts listed above and pictured on the previous page are standard equipment.

Models 761 & 771

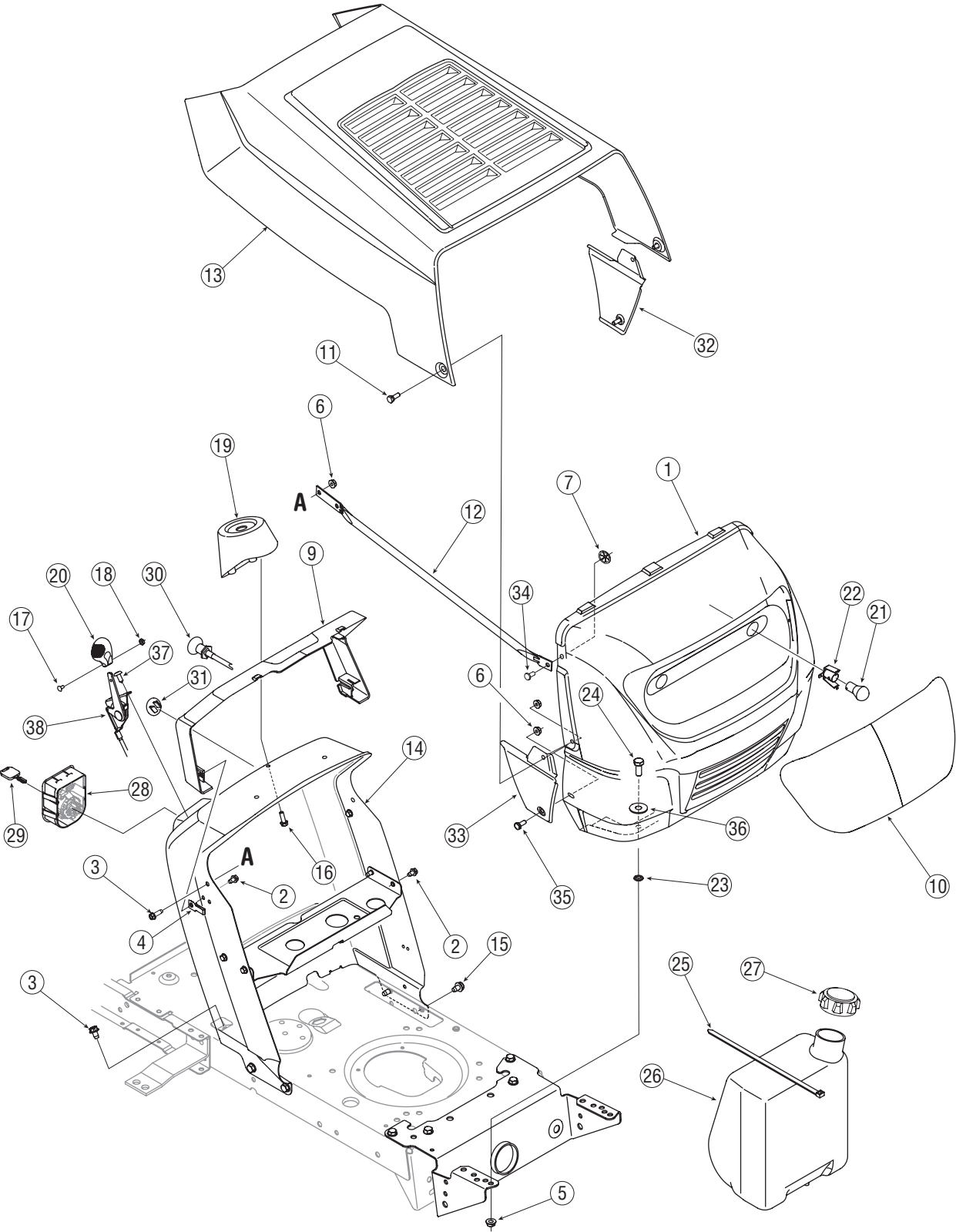


Models 761 & 771

REF. NO.	PART NO.	DESCRIPTION
1	710-0599	Screw, 1/4-20, 0.500
2	710-0726	Screw, 5/16-12, 0.750
3	710-0751	Screw, 1/4-20, .620, Gr5
4	710-1652	Screw, 1/4-20, .625
5	712-0185	Nut, 1/4-20, Speed U-type
6	712-04064	Nut, Flange Lock, 1/4-20, GrF, Nylon
7	725-0963	Headlamp, 12V
8	725-1649	Headlamp Socket
9	731-04947	Collar, Dash
10	731-04949	Lens
11	738-04091	Screw, Shoulder, .43 x.29, 5/16-18
12	783-04551	Hood
13	783-04552	Grille
14	783-04577	Pivot Bracket, LH
15	783-04578	Pivot Bracket, RH
16	783-04621	Pivot Bracket, Grille
17	710-0607	Screw, 5/16-18, 0.500
18	710-0895	Screw, 1/4-15, 0.750
19	710-3217	Screw, Machine, #8-32, 0.375
20	712-0142	Nut, Hex, #8-32, GrA
21	731-04945	Support, Steering
22	731-1857	Knob, Control
23	683-04189	Dash Assembly
24	726-0230	Cable Tie, 34.75
25	751-0555B	Fuel Tank, 1.5 gal.
26	751-0603	Fuel Tank Cap
27	725-04227	Module, Ignition Switch
28	725-1744	Key
29	746-1085A	Choke Control, 37.5"
30	731-1999	Plug
31	731-05147	Plenum (Single Cylinder Engine)
	731-05165	Plenum (Twin Cylinder Engine)
32	746-1084	Throttle/Choke Control, 25" (Single Cylinder Engine)
	746-1086	Throttle Control, 39" (Twin Cylinder Engine)

NOTE: Tractor features vary by model. NOT all parts listed above and pictured on the previous page are standard equipment.

Models 762 & 772

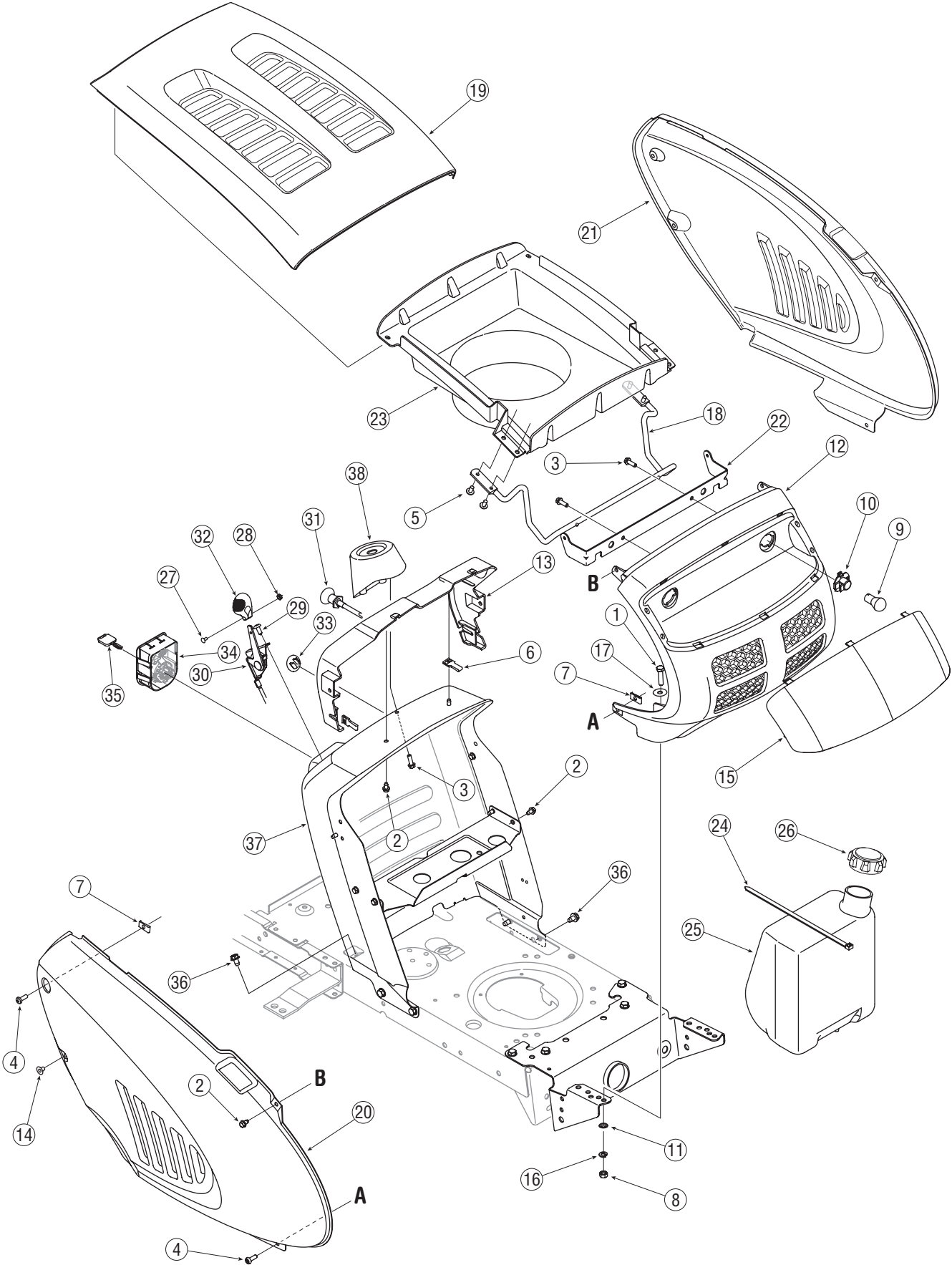


Models 762 & 772

REF. NO.	PART NO.	DESCRIPTION
1	783-0156B	Grille
2	710-0599	Screw, 1/4-20, 0.500
3	710-0642	Screw, 1/4-20, 0.750
4	712-0185	Nut, 1/4-20, Speed U-type
5	712-04063	Nut, Flange Lock, 5/16-18, GrF, Nylon
6	712-04064	Nut, Flange Lock, 1/4-20, GrF, Nylon
7	726-04012	Nut, Push-on, .25 Dia
8	728-0162	Rivet, Flat Head 1/4"
9	731-05012	Collar, Dash, 0-Style
10	731-1503A	Lens
11	738-0952A	Screw, Shoulder, .375 x .125, 1/4-20
12	749-04220	Support Rod, Grill
13	783-04608	Hood
14	683-04189	Dash Assembly
15	710-0607	Screw, 5/16-18, 0.500
16	710-0895	Screw, 1/4-15, 0.750
17	710-3217	Screw, Machine, #8-32, 0.375
18	712-0142	Nut, Hex, #8-32, GrA
19	731-04945	Support, Steering
20	731-1857	Knob, Control
21	725-0963	Headlamp, 12V
22	725-1651	Headlamp Socket
23	726-0201	Speed Nut, .3125
24	710-3008	Screw, 5/16-18, .750
25	726-0230	Cable Tie, 34.75
26	751-0555B	Fuel Tank, 1.5 gal.
27	751-0603	Fuel Tank Cap
28	725-04227	Module, Ignition Switch
29	725-1744	Key
30	746-1085A	Choke Control, 37.5"
31	731-1999	Plug
32	783-0366	Insert, Side Panel, RH
33	783-0367	Insert, Side Panel, LH
34	728-0162	Rivet, Flat Head 1/4"
35	710-0751	Hex Screw, 1/4-20, .620
36	736-3008	Flat Washer, .344 x .750 x .120
37	710-1017	Screw, 1/4-14, .625
38	746-1084	Throttle/Choke Control, 25" (Single Cylinder Engine)
	746-1086	Throttle Control, 39" (Twin Cylinder Engine)

NOTE: Tractor features vary by model. NOT all parts listed above and pictured on the previous page are standard equipment.

Models 769 & 779

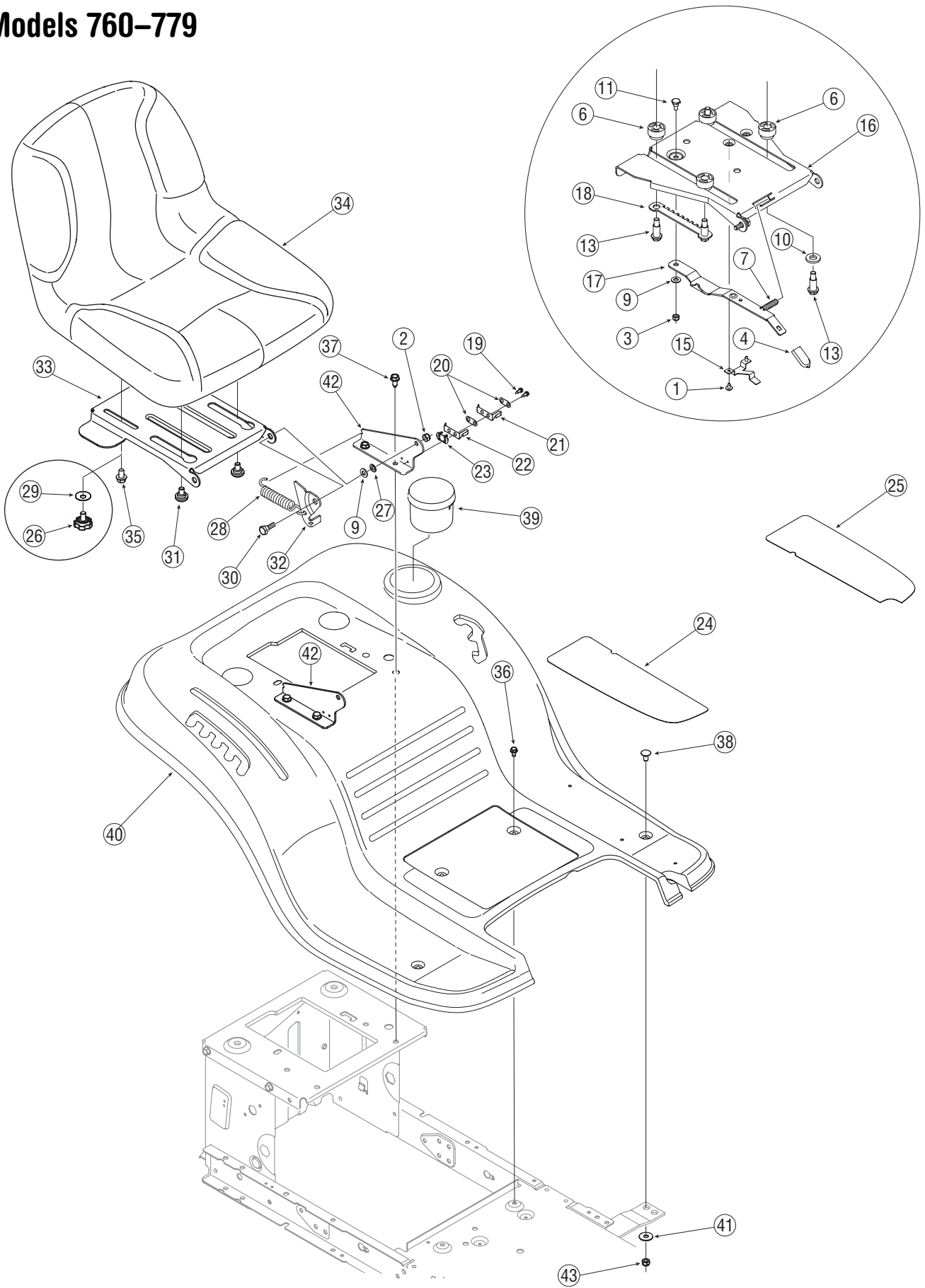


Models 769 & 779

REF. NO.	PART NO.	DESCRIPTION
1	710-0528	Screw, 5/16-18, 1.25, Gr5
2	710-0599	Screw, 1/4-20, 0.500
3	710-0895	Screw, 1/4-15, 0.750
4	710-0924	Screw, Machine, 1/4-20, 0.750
5	710-1017	Screw, 1/4-14, 0.625
6	712-0185	Speed Nut, U-type, 1/4-20
7	712-0292	Nut, Tinn Clip, 1/4-20
8	712-04063	Nut, Flange Lock, 5/16-18, GrF, Nylon
9	725-0963	Miniature Lamp 12V
10	725-1649	Lamp Socket, Nylon 1/4-Turn
11	726-0201	Nut, Speed, .3125 ID
12	731-04960	Grille
13	731-05078	Collar, Dash
14	731-05224	Plug, 0.285 Dia.
15	731-2637	Lens
16	736-0119	Washer, Lock, 5/16
17	736-3078	Washer, Flat, .344 x 1.0 x .063
18	747-2138	Rod, Hinge
19	783-0783	Hood
20	783-0784A	Side Panel, RH
21	783-0785	Side Panel, LH
22	783-1346	Support Bracket, Grille
23	731-2269A	Plenum (Single Cylinder Engine)
	731-2270A	Plenum (Twin Cylinder Engine)
24	726-0230	Cable Tie, 34.75
25	751-0555B	Fuel Tank, 1.5 gal.
26	751-0603	Fuel Tank Cap
27	710-3217	Screw, Machine, #8-32, 0.375
28	712-0142	Nut, Hex, #8-32, GrA
29	710-1017	Screw, 1/4-14, .625
30	746-1084	Throttle/Choke Control, 25" (Single Cylinder Engine)
	746-1086	Throttle Control, 39" (Twin Cylinder Engine)
31	746-1085A	Choke Control, 37.5"
32	731-1857	Knob, Control
33	731-1999	Plug
34	725-04227	Module, Ignition Switch
35	725-1744	Key
36	710-0607	Screw, 5/16-18, 0.500
37	683-04189	Dash Assembly
38	731-04945	Support, Steering

NOTE: Tractor features vary by model. NOT all parts listed above and pictured on the previous page are standard equipment.

Models 760-779

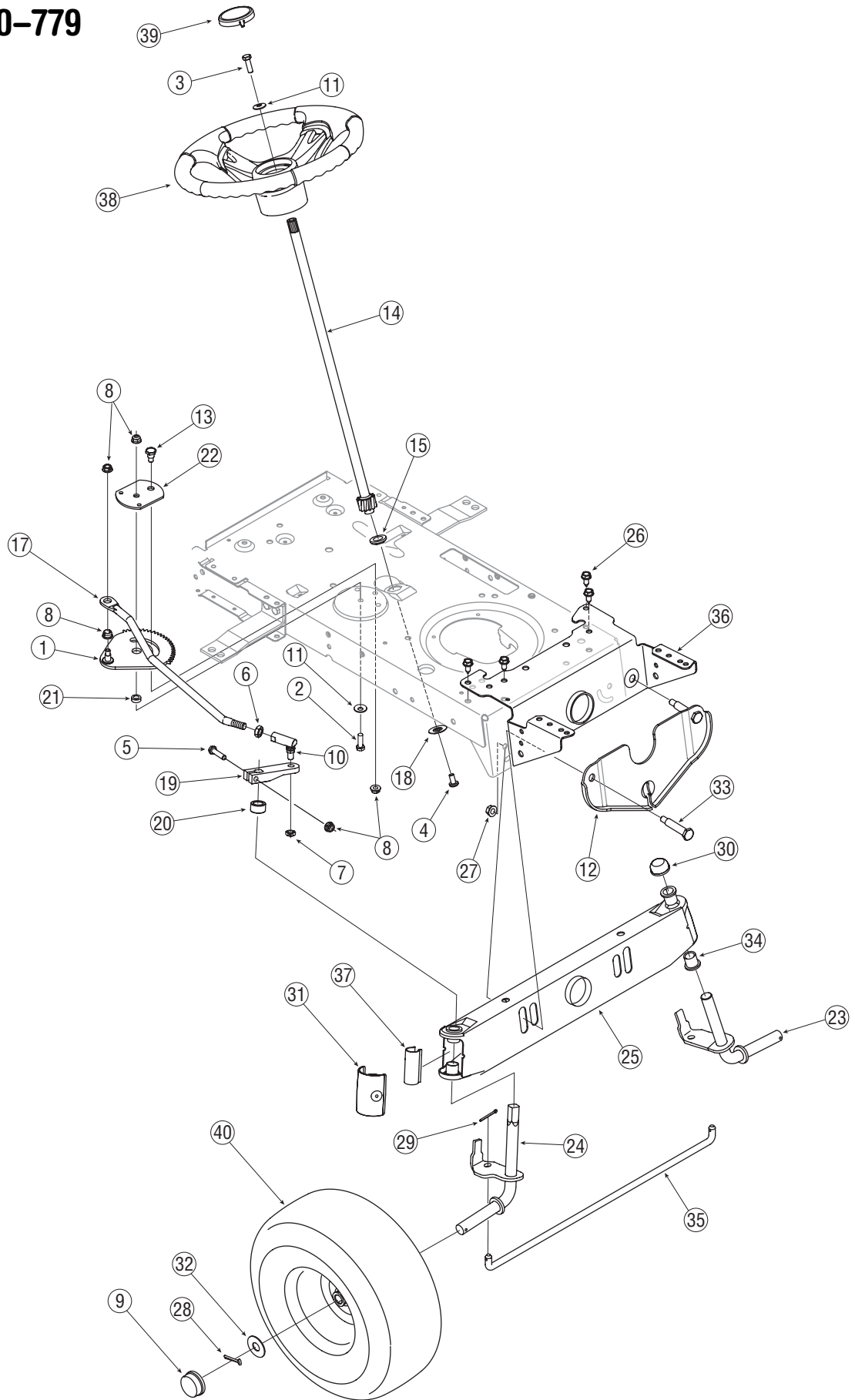


Models 760–779

REF. NO.	PART NO.	DESCRIPTION
1	710-1268	Screw, #10-16, .375
2	712-04063	Nut, Flange Lock, 5/16-18, GrF, Nylon
3	712-3027	Nut, Flange Lock, 1/4-20
4	720-0309A	Seat Adjuster Grip
5	726-0201	Nut, Speed, .3125 ID
6	731-04074	Spacer
7	732-0499	Compression Spring, .41 x 1.5
8	732-1184	Spring, Extension, .84 Dia. x 4.6
9	736-0275	Wash, Flat, .344 x .688 x .065
10	736-3019	Wash, Flat, .531x 1.062 x .134
11	738-0137A	Screw, Shoulder, .340 x .285, 1/4-20
12	738-0296	Screw, Shoulder, .437 x .268, 5/16-18
13	738-0966	Screw, Shoulder, .50 x .925, 3/8-16
14	783-0209C	Seat Bracket, Lift
15	783-0611	Seat Stop
16	783-0738B	Seat Pivot Bracket
17	783-0739A	Seat Adjustment Lever
18	783-0753	Seat Adjustment Selector
19	710-0227	Screw, #8-18 x .50
20	726-0279	Plate, Insulator
21	725-1303	Spring Switch, Inner
22	725-1439	Spring Switch, Outer
23	726-0278	Plate, Insulator Boss
24	723-04025	Foot Pad, Abrasive, RH
25	723-04026	Foot Pad, Abrasive, LH
26	720-04009	Knob, 3/8-16, .625
27	726-0201	Nut, Speed, .3125 Id
28	732-1184	Spring, Extension, .84 Dia x 4.6 Lg.
29	736-0101	Washer, Flat, .406 x 1.00 x .030
30	738-0296	Screw, Shoulder, .437 x .268, 5/16-18
31	738-04012	Screw, Shoulder, .625 x .175, 3/8-16
32	783-0209C	Lift Bracket, Seat
33	783-04081A	Pivot Bracket, Seat
34	757-04021A	Seat, Low Back
	757-04020A	Seat, Medium Back
35	710-0870	Screw, 3/8-16, .625
36	710-0599	Screw, 1/4-20, 0.500
37	710-0726	Screw, 5/16-12, 0.750
38	710-0134	Screw, Carriage, 1/4-20, .62 Gr2
39	731-04591A	Cup Holder
40	783-04587	Fender
41	736-0173	Washer, Flat, .28 x .74 x .063
42	783-1489A	Mounting Bracket, Seat
43	712-04064	Nut, Flange Lock, 1/4-20, GrF, Nylon

NOTE: Tractor features vary by model. NOT all parts listed above and pictured on the previous page are standard equipment.

Models 760-779

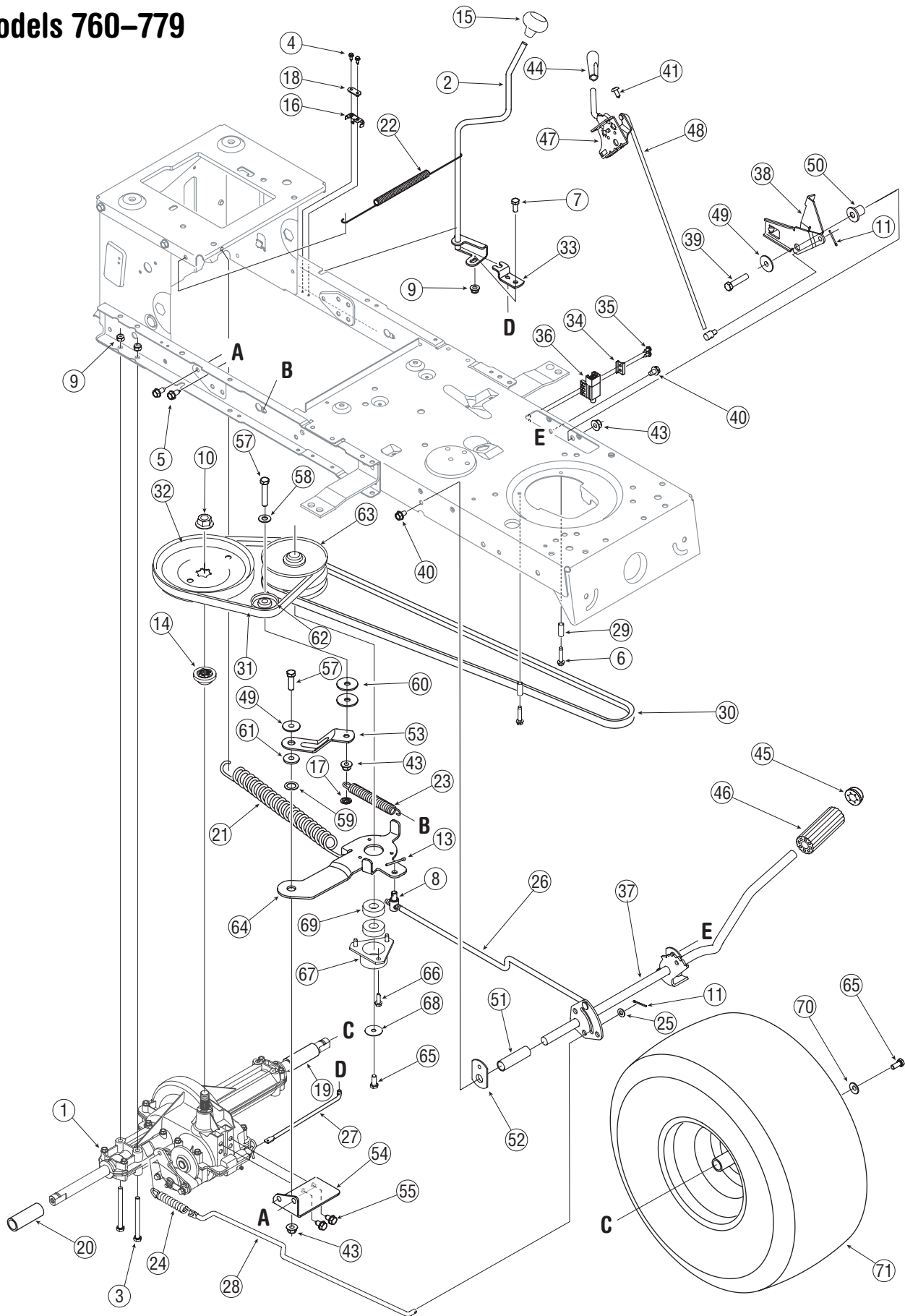


Models 760–779

REF. NO.	PART NO.	DESCRIPTION
1	617-04024	Gear Assembly, Steering
2	710-0376	Screw, 5/16-18, 1.00, Gr5
3	710-0643	Screw, 5/16-18, 1.00, Gr5, Lock
4	710-1309	Screw, Mach, 5/16-18, 0.750
5	710-3180	Screw, 5/16-18, 1.75, Gr5
6	712-0240	Nut, Jam, 7/16-20, Gr2
7	712-0262	Nut, Jam Lock, 3/8-24, Gr2
8	712-04063	Nut, Flange Lock, 5/16-18, Grf, Nylon
9	731-0484A	Hub Cap
10	723-0448A	Ball Joint, 7/16-20, Lock
11	736-0242	Washer, Bell, .340 x .872 x .060
12	783-04568	Front Hanger Bracket, Deck
13	738-04141	Screw, Shoulder, .435 x .3485, 5/16-18
14	738-0919	Steering Shaft, 5/8 Spline x 21.86
15	741-04124	Bearing, Flange, Hex 5/8
16	741-0475	Plastic Bushing .380 ID
17	747-04298	Drag Link, Steering
18	748-0389	Cap, 1.25 x .16
19	748-04065	Steering, Block
20	748-04068	Spacer, .710 ID x .125 OD x .56
21	750-04418	Spacer, .322 ID x .625 OD x .21
22	783-04644	Stabilizer Plate, Gear Segment
23	638-04007	Axle Assembly, LH
24	638-04008	Axle Assembly, RH
25	683-0128B	Pivot Bar
26	710-0726	Screw, 5/16-12, 0.750
27	712-04065	Nut, Flange Lock, 3/8-16, GrF, Nylon
28	714-04039	Pin, Cotter, 5/32, 1.25
29	714-0470	Pin, Cotter, 1/8 x 1.25
30	726-0341	Push Cap, 3/4
31	731-1291A	End Cap, Pivot Bar (w/ Fitting)
32	736-0316	Washer, Flat, .78 x 1.59 x .060
33	738-04128	Screw, Shoulder, .500 x 2.380, 3/8-16
34	741-0660A	Bearing, Flange, .760 x .941 x 1.0
35	747-04299	Tie Rod
36	783-04601	Bracket, Pivot
37	731-04057A	Axle End Cap, Standard
38	631-04028	Steering Wheel, Standard Grip
	631-04008	Steering Wheel, Soft Grip
39	731-04039	Cap, Steering Wheel (no logo)
	731-04040	Cap, Steering Wheel (sprig logo)
	731-04681	Cap, Steering Wheel (tine logo)
40	634-04086	Wheel Assembly
	734-1731	Tire Only, 15 x 6 x 6
	634-04081	Rim Assembly (Incl. bearings and valve stem)

NOTE: Tractor features vary by model. NOT all parts listed above and pictured on the previous page are standard equipment.

Models 760-779



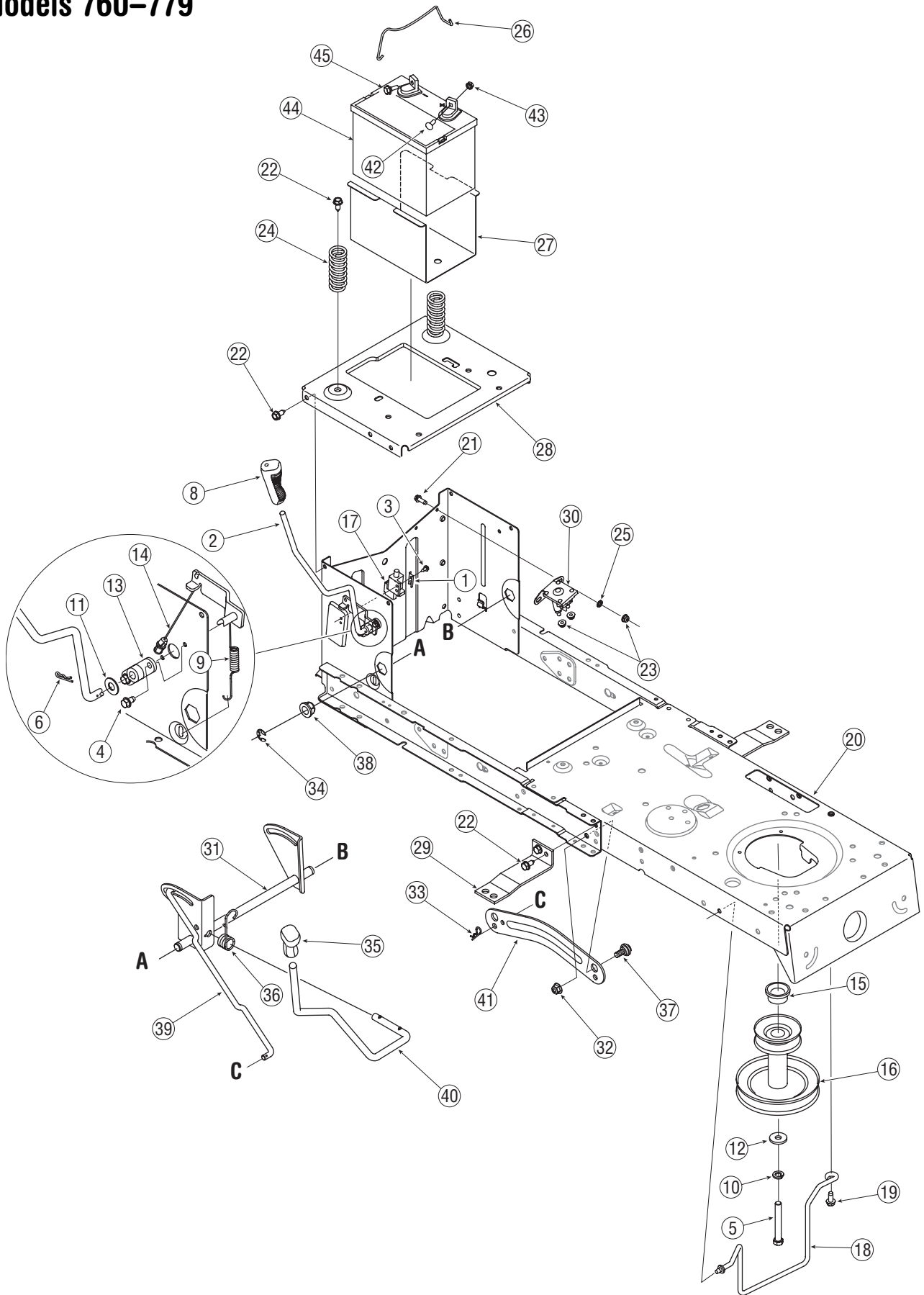
Models 760-779

REF. NO.	PART NO.	DESCRIPTION	REF. NO.	PART NO.	DESCRIPTION
1	618-04034	Transmission Assembly	38	683-04188	Latch Assembly, Engagement
2	647-04035	Lever Assembly, Shift	39	710-0347	Screw, 3/8-16, 1.75, Gr5
3	710-0176	Screw, 5/16-18, 2.75, Gr5	40	710-0607	Screw, 5/16-18, 0.500
4	710-0227	Screw, #8-18, 0.500	41	710-1017	Screw, 1/4-20, 0.625
5	710-0726	Screw, 5/16-12, 0.750	42	711-0736	Adjustment Ferrule 1/4-20
6	710-0809	Screw, 1/4-20, 1.250	43	712-04065	Nut, Flange Lock, 3/8-16, GrF, Nylon
7	710-3008	Screw, 5/16-18, .75, Gr5	44	720-04050	Knob, Speed Control
8	711-04075A	Ferrule, 3/8-24 x .375 Dia.	45	726-0214	Push Cap, 5/8
9	712-04063	Nut, Flange Lock, 5/16-18, GrF, Nylon	46	735-0239	Pad, Foot, 4.0
10	712-0700	Nut, Flange, 9/16-18, Gr2	47	746-04158	Shift Lever, 7-Speed
11	714-0111	Pin, Cotter, 3/32, 1.0		746-04174	Shift Lever, 6-Speed
12	714-0209	Cotter Pin, Internal .125 Dia	48	747-04289	Control Rod, Speed Selector
13	714-0470	Pin, Cotter, 1/8 x 1.25	49	750-04294	Spacer, Shoulder, .38 ID x 50 OD x .15
14	718-0758A	Hub, Pulley, 5/8 Spline	50	750-04381	Spacer, Flange, .390 x .671 x .95
15	720-04028	Knob, Shift	51	750-0802	Spacer, .640 ID x .76 OD x 2.63
16	725-1644	Spring Switch, Short	52	783-04536	Support Bracket, Pedal
17	726-0269	Speed Nut, 3/8 (Push-on)	53	683-04175	Bracket, Idler
18	726-0320	Plate, Insulator Nut	54	683-04176	Torque Bracket, Transmission
19	731-04602	Sleeve, .758 x .821 x 3.3125	55	710-0604A	Screw, 5/16-18, 0.625
20	731-04604	Sleeve, .758 x .821 x 2.4375	56	710-3005	Screw, 3/8-16, 1.25, Gr5
21	732-04076A	Spring, Extension, 1.15 OD x 7.90	57	710-3144	Screw, 3/8-16, 2.00, Gr5
22	732-04237	Spring, Extension, .50 OD x 12.0	58	736-0300	Washer, Flat, .406 x .875 x .059
23	732-04259	Spring, Extension, .78 OD x 3.5	59	736-04188	Washer, Flat, .63 x 1.00 x .015
24	732-0716	Spring, Extension, .59 OD x 4.00	60	736-3039	Washer, Flat, .406 x 1.5 x .105
25	736-0264	Washer, Flat, .330 x .630 x .0635	61	738-0347	Spacer, Shoulder, .625 ID x .169
26	747-04265	Control Rod, Variable Speed	62	756-0199	Pulley, Flat Idler, 2.0 OD
27	747-04277	Rod, Shift	63	656-04015	Pulley Ass'y, Variable Speed, 4.75 OD
28	747-04287	Rod, Brake	64	683-04174	Bracket Ass'y, Variable Speed
29	750-0566A	Spacer, .260 x .372 x 1.030	65	710-0627	Screw, 5/16-24, .750, Gr5
30	754-04001A	Belt	66	710-0642	Screw, 1/4-20, 0.750
31	754-0241A	Belt	67	718-04012	Cup, Bearing
32	756-04002	Pulley, V-Type, 7.25 Dia	68	736-0362	Washer, Flat, .330 x 1.25 x .06
33	783-04595	Shift Bracket, Adjustable	69	741-0600	Bearing, Ball, 17 x 40 x 12
34	17962	Plate, Switch	70	736-0242	Bell Washer, .34 x .872 x .060
35	710-0224	Screw, #10-16, 0.500	71	634-0104	Wheel Assembly
36	725-04039	Switch, Interlock		734-1730	Tire Only, 20 x 8 x 8
37	647-04034	Pedal Assembly, Drive		634-0070	Rim Assembly (Inc. bearings, valve stem)

IMPORTANT: For a proper working machine, use Factory Approved Parts. **V-belts** are designed to engage and disengage safely. A substitute (non OEM) V-belt can be dangerous by not disengaging completely.

NOTE: Tractor features vary by model. *NOT* all parts listed above and pictured on the previous page are standard equipment.

Models 760-779

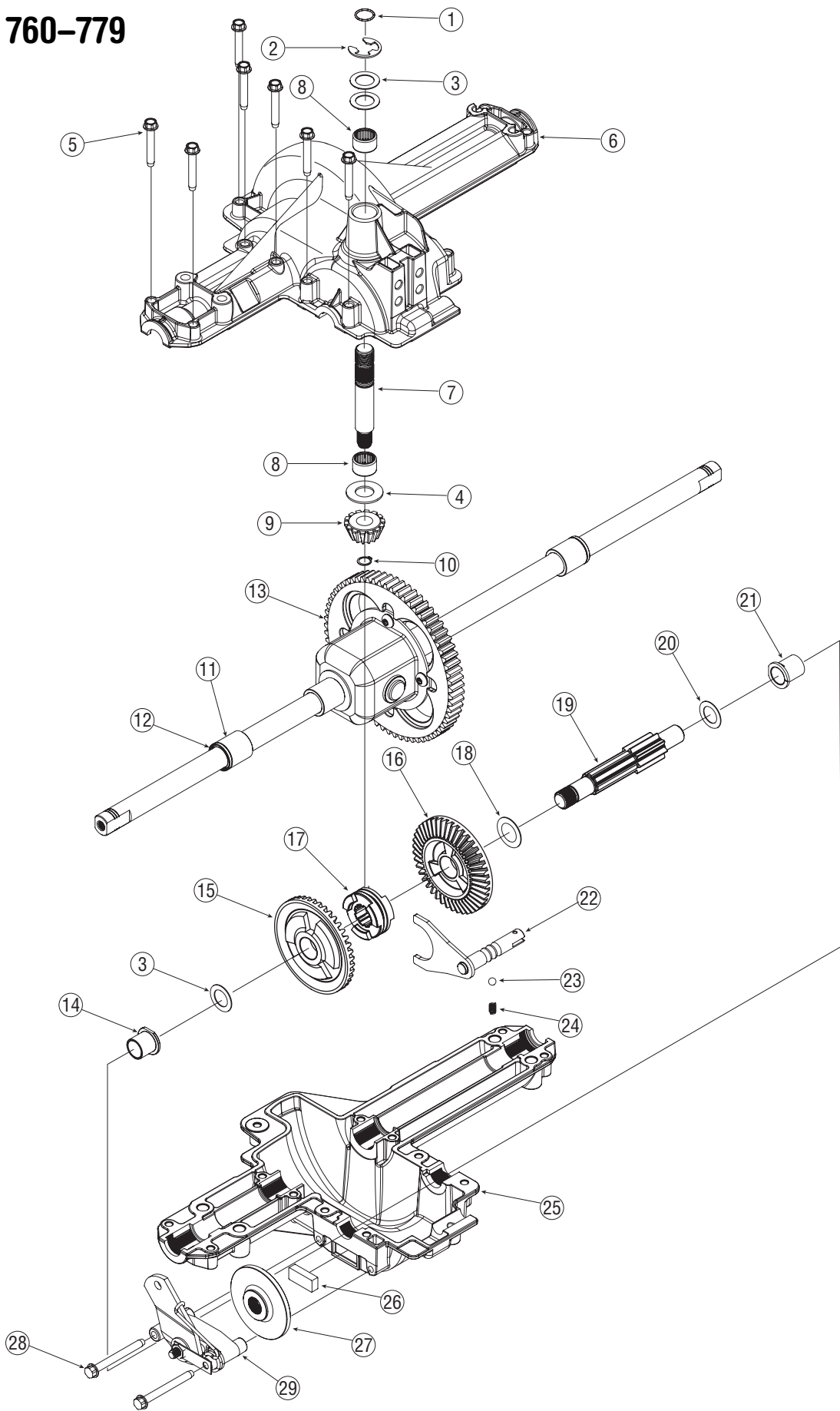


Models 760-779

REF. NO.	PART NO.	DESCRIPTION
1	17962	Plate, Switch
2	647-04040	Handle Asswmbly, PTO
3	710-0224	Screw, #10-16, 0.500
4	710-0599	Screw, 1/4-20, 0.500
5	710-3157A	Screw, 7/16-20, 3.25, Gr5
6	714-0104	Pin, Cotter, .072 Dia. x 1.13
7	714-0145	Pin, Click, .092 x 1.64
8	720-04049	Grip, Handle, 3/8
9	732-04276	Spring, Extension
10	736-0171	Washer, Lock, 7/16
11	736-0300	Washer, Flat, .406 x .875 x .059
12	736-0322	Washer, Flat, .450 x 1.250 x .164
13	741-04119	Bearing, PTO
14	746-04173	Cable, Deck Engagement
15	750-0956	Spacer, 1.010 x 1.400 x .825
16	756-04064A	Engine Pulley, 3.39 x 6.12 Dia.
17	725-04039	Switch, Interlock
18	747-04332	Rod, Belt Keeper (38-inch Deck)
	747-04307	Rod, Belt Keeper (42-inch Deck)
19	710-1260A	Screw, 5/16-18, .750
20	683-04163	Frame Assembly
21	710-0642	Screw, 1/4-20, 0.750
22	710-0726	Screw, 5/16-12, 0.750
23	712-04064	Nut, Flange Lock, 1/4-20, GrF, Nylon
24	732-04035	Spring, Compression, 1.28 OD x 3.125
25	736-0222	Washer, Lock, 1/4
26	747-04121A	Hold Down Rod, Battery
27	783-0349	Tray, Battery
28	783-04548	Seat Bracket, Frame
29	783-04637	Bracket, Runing Board
30	725-1426	Solenoid
31	683-04155	Shaft Assembly, Lift
32	712-04065	Nut, Flange Lock, 3/8-16, GrF, Nylon
33	714-04023	Pin, Cotter, .080 x 1.5625 Internal
34	716-0106A	Ring, E-Type, .625 Dia.
35	720-0311	Grip, Handle, 1/2
36	732-04225	Spring, Torsion
37	738-04130	Screw, Shoulder, .625 x .175, 3/8-16
38	741-0225	Bearing, Hex Flange
39	747-04272	Rod, Lift
40	747-04282	Deck Handle, Lift
41	783-04494	Lift Arm, Deck
42	710-0703	Screw, Carriage, 1/4-20, .75, Gr5
43	712-0271	Nut, Sems, 1/4-20
44	725-1737A	Battery, 190 CCA (Single Cylinder Engine)
	725-1706A	Battery, 270 CCA (Twin Cylinder Engine)
45	738-1132	Screw, Shoulder, .250 x .150, 1/4-20

NOTE: Tractor features vary by model. NOT all parts listed above and pictured on the previous page are standard equipment.

Models 760-779



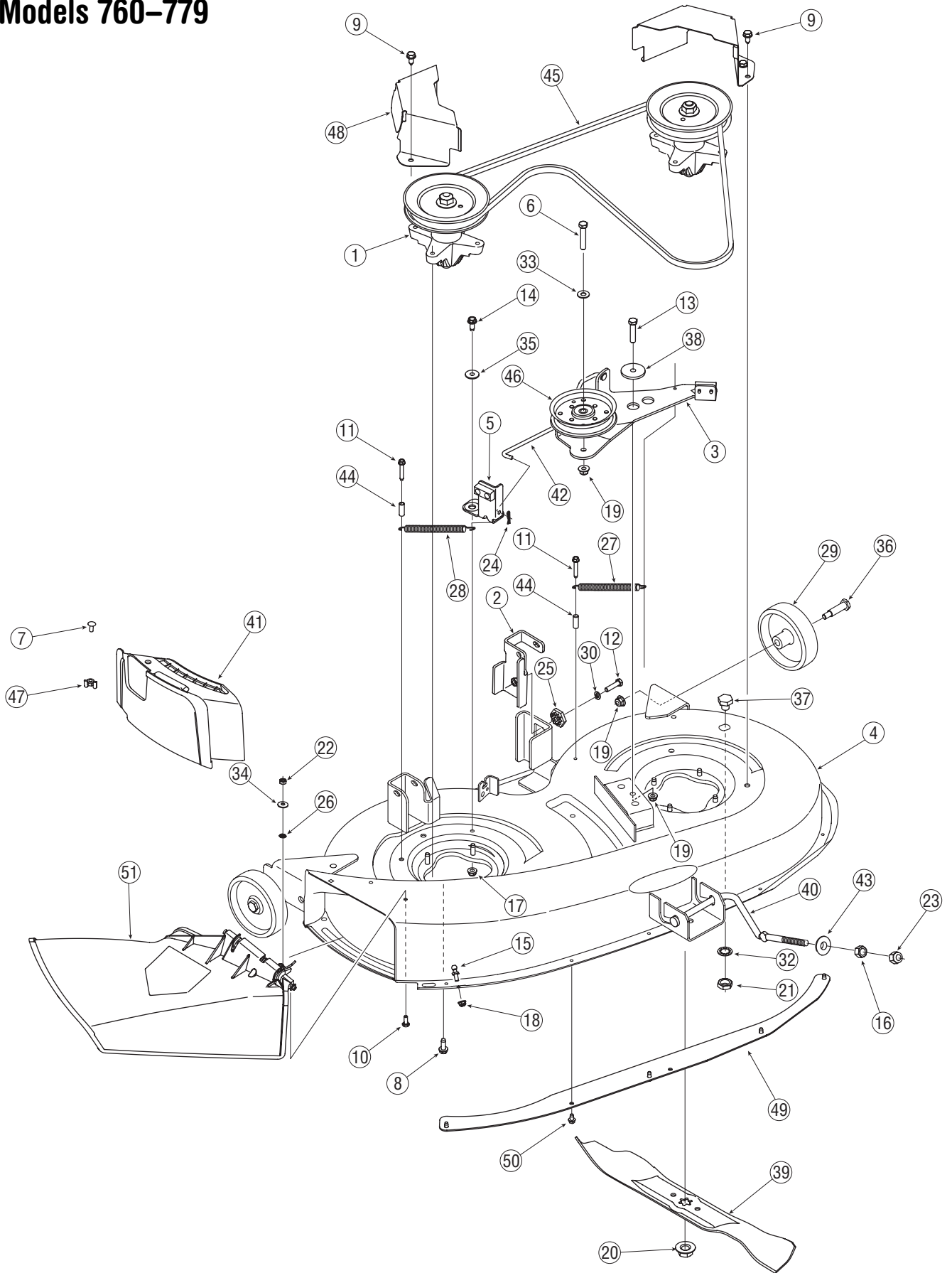
Models 760–779

REF. NO.	PART NO.	DESCRIPTION
1	732-0614	Ring, Wire
2	716-0231	Ring, E Type, .750
3	736-0336	Flat Washer, 5/8 x 1.0 x .030*
	736-0337	Flat Washer, 5/8 x 1.0 x .040*
	736-0349	Flat Washer, 5/8 x 1.0 x .020*
4	736-0335	Washer, Thrust .635 x 1.26 x .06
5	710-1325	Self-tapping Screw, 1/4-20 x 1.625
6	719-04017	Upper Housing
7	711-1109	Input Shaft
8	741-0335	Needle Bearing, .625 x .813 x .495
9	717-1464	14-tooth Bevel Pinion
10	716-0108	Retaining Ring, .437
11	741-0340	Sleeve Bearing, .75 x .1.0 x 1.0
12	721-0338	Seal, .75 x 1.0 x .125
13	618-04041	Differential Assembly
14	741-0336	Flange Bearing, 5/8 x 3/4 x 3/4
15	717-1362	42-tooth Bevel Gear
16	717-1363	42-tooth Bevel Gear
17	718-0228	Clutch Collar
18	736-0519	Flat Washer, .70 x 1.125 x .031
19	711-04053	Drive Shaft
20	736-0495	Thrust Washer, 1.0 x .632 x .0
21	741-0337	Flange Bearing, 5/8 x 3/4 x 15/16
22	611-0011	Detent Shaft Assembly
23	741-0862	Detent Ball
24	732-0863	Compression Spring
25	719-04018	Lower Housing
26	717-0678	Brake Puck
27	761-0202	Brake Disc
28	710-1206	Self-tapping Screw, 1/4-20 x 2.375
29	661-0001	Brake Assembly
—	737-0148	Grease (19 oz.)

*Use applicable flat washer (12a, 12b or 12c) in this application allowing .0150/.0020 in. end-play

NOTE: If rebuilding the upper housing, include two ounces (2 oz.) of Unirex[®] N3 grease (Part No. 737-0289) in the input shaft cavity.

Models 760-779



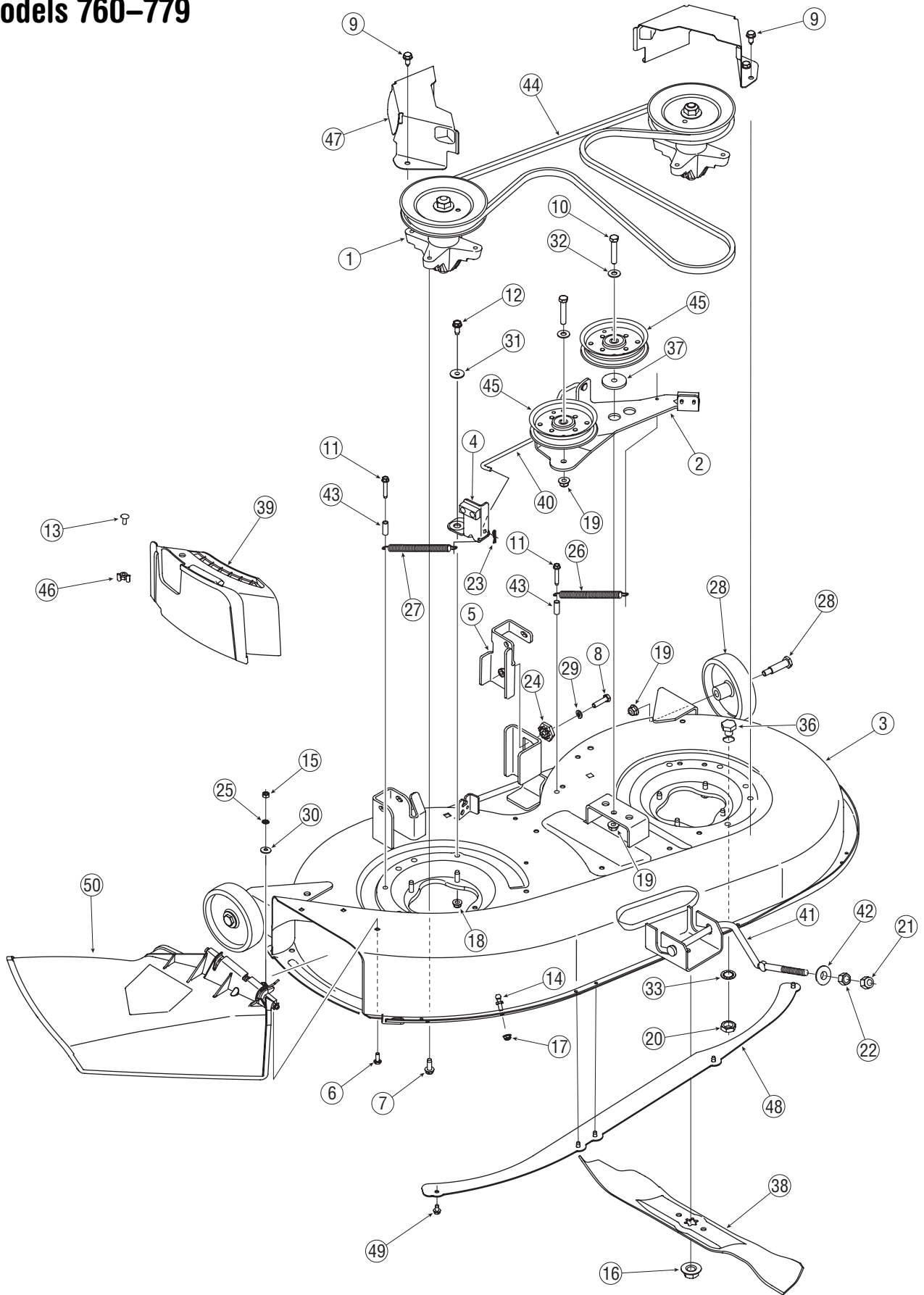
Models 760–779

REF. NO.	PART NO.	DESCRIPTION
1	618-04197	Spindle Assembly, Pul, 5.75" Dia
2	683-0254B	Bracket Assembly, Deck, Hanger LH
3	683-04138	Brake Assembly, Deck
4	683-04161	Deck Shell, 38" (w/ Wheel Brackets)
	683-04166	Deck Shell, 38" (w/o Wheel Brackets)
5	683-04167	Brake Assembly, Deck
6	710-0347	Screw, 3/8-16, 1.75, Gr5
7	710-0134	Carriage Screw, , 1/4-20 x .62
8	710-0650	Screw, 5/16-18, 0.875
9	710-0726	Screw, 5/16-12, 0.750
10	710-0751	Screw, 1/4-20, .620, Gr5
11	710-0778	Screw, 1/4-20, 1.500
12	710-0817	Screw, 5/16-18, 1.250
13	710-3005	Screw, 3/8-16, 1.25, Gr5
14	710-3008	Screw, 5/16-18, .75, Gr5
15	711-04069	Pin, Grasscatcher, 1/4-20
16	712-0206	Nut, Hex, 1/2-13, Gr5
17	712-04063	Nut, Flange Lock, 5/16-18, GrF, Nylon
18	712-04064	Nut, Flange Lock, 1/4-20, GrF, Nylon
19	712-04065	Nut, Flange Lock, 3/8-16, GrF, Nylon
20	712-0417A	Nut, Flange, 5/8-18
21	712-0641	Nut, Hex, M16-1.5
22	712-3006	Nut, Hex, 1/4-20, Gr5
23	712-3083	Nut, Hex Lock, 1/2-13, Gr8, Nylon
24	714-0104	Pin, Cot, .072 Dia. x 1.13 Lg
25	717-04074	Gear, Deck Adjustment
26	726-0233	Nut, Push, .25 ID x .50 OD
27	732-0308A	Spring, Extension, .50 Dia. x 6.37
28	732-04287	Spring, Extension, .50 Dia. x 6.375
29	734-0973	Wheel, Deck 5.0 x 1.38
30	736-0119	Washer, Lock, 5/16
31	736-0187	Washer, Flat, .64 x 1.24 x .06
32	736-0225	Washer, Lock, 5/8, Internal Tooth
33	736-0267	Washer, Flat, .385 x .87 x .06
34	736-0270	Washer, Bell, .265 x .75 x .062
35	736-0289	Bushing, Shoulder, .320 ID x .135
36	738-0373	Screw, Shoulder, .498 x 1.53, 3/8-16
37	738-04146	Plug, Screw, M16 x 1.5
38	738-04162	Spacer, Shoulder, .8540 x .190
39	742-0610A	Blade, 19.38", Star 3-in-1
40	747-04322	Deck Rod, Front Adjustable
41	731-2363	Mulch Plug
42	747-04381	Control Rod, Brake
43	748-04069	Pivot Cup, Deck Lift
44	750-0566A	Spacer, .260 x .372 x 1.030
45	754-04062	Belt, V-Type
46	756-04129	Idler Pulley, 4.25" Dia.
47	712-3087	Wing Nut, 1/4-20
48	783-04602	Cover, Belt, 5.66 Dia.
49	783-1297	Deck Skirt
50	710-0599	Screw, 1/4-20, .500
51	731-1032B	Chute Assembly, Discharge

IMPORTANT: For a proper working machine, use Factory Approved Parts. **V-belts** are designed to engage and disengage safely. A substitute (non OEM) V-belt can be dangerous by not disengaging completely.

NOTE: Tractor features vary by model. *NOT* all parts listed above and pictured on the previous page are standard equipment.

Models 760-779



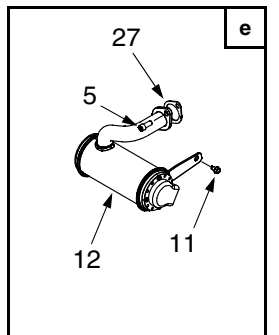
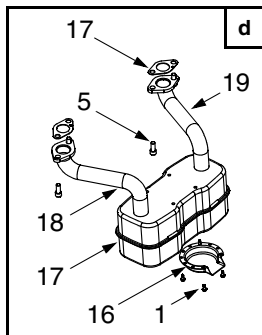
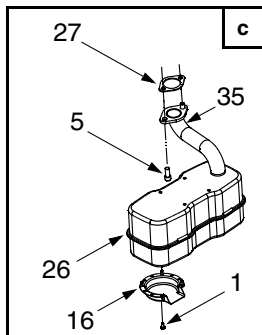
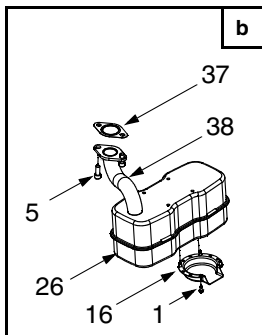
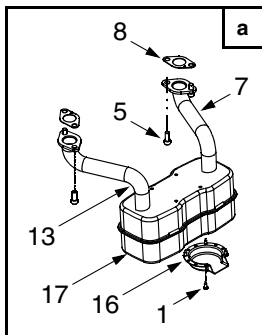
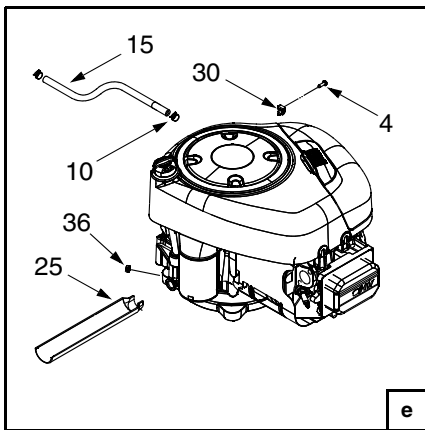
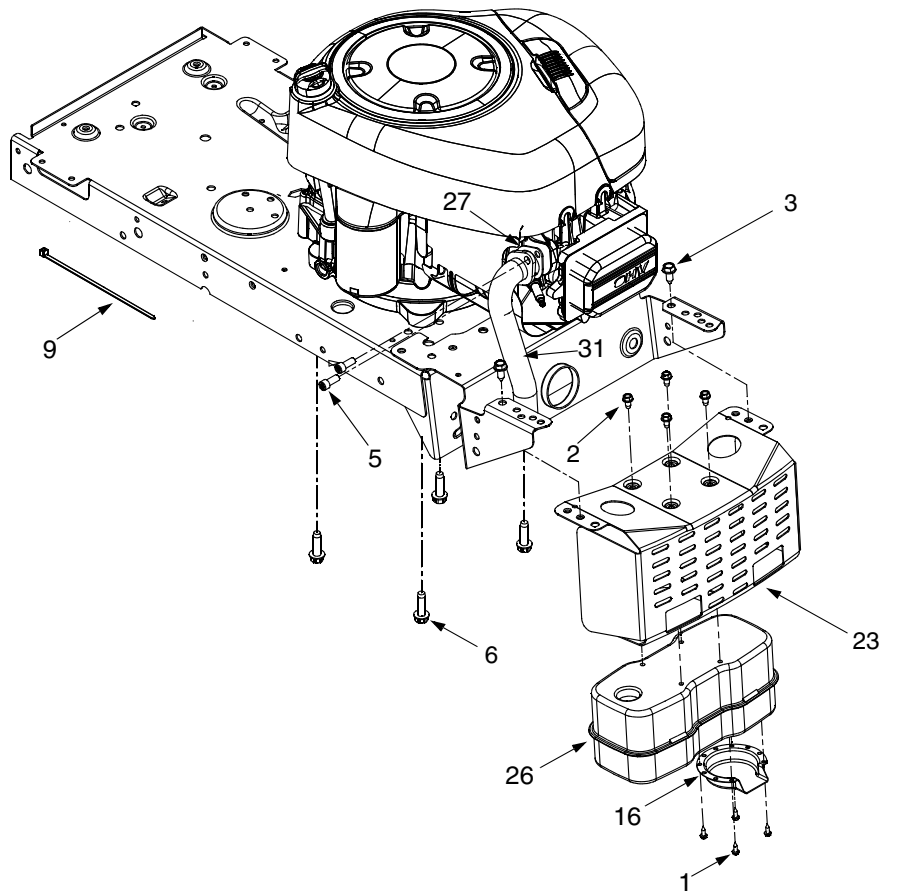
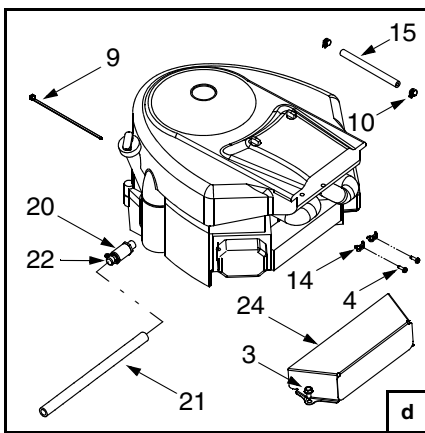
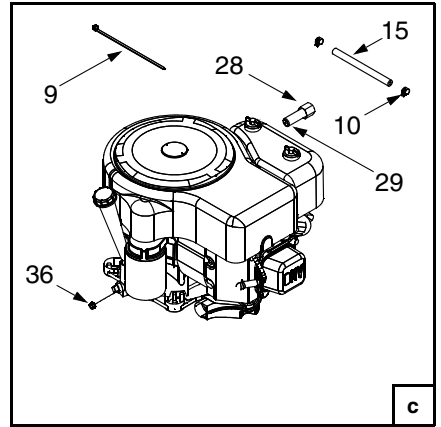
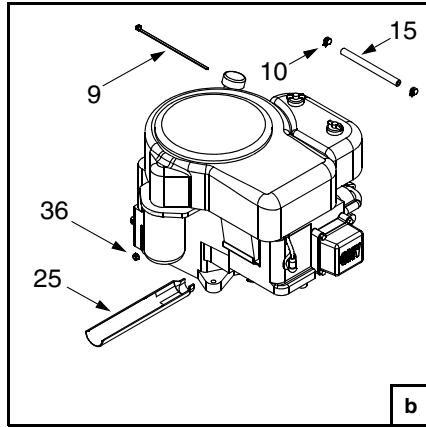
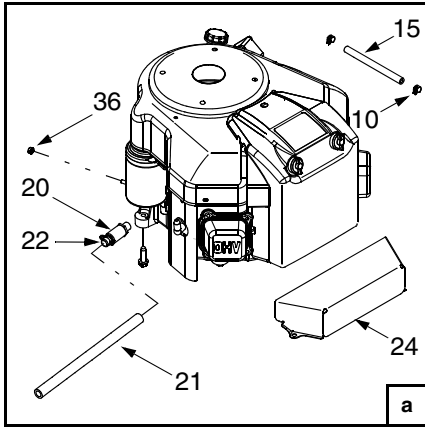
Models 760–779

REF. NO.	PART NO.	DESCRIPTION
1	618-0624	Spindle Assembly, Pul, 6.23" Dia
2	683-04138	Brake Assembly, Deck
3	683-04162	Deck Shell, 42" (w/ Wheel Brackets)
	683-04165	Deck Shell, 42" (w/o Wheel Brackets)
4	683-04167	Brake Assembly, Deck
5	683-0254B	Bracket Assembly, Deck, Hanger LH
6	710-0751	Screw, 1/4-20, .620, Gr5
7	710-0650	Screw, 5/16-18, 0.875
8	710-0817	Screw, 5/16-18, 1.250
9	710-0726	Screw, 5/16-12, 0.750
10	710-3144	Screw, 3/8-16, 2.00, Gr5
11	710-0778	Screw, 1/4-20, 1.500
12	710-3008	Screw, 5/16-18, .75, Gr5
13	710-0134	Carriage Screw, , 1/4-20 x .62
14	711-04069	Pin, Grasscatcher, 1/4-20
15	712-3006	Nut, Hex, 1/4-20, Gr5
16	712-0417A	Nut, Flange, 5/8-18
17	712-04064	Nut, Flange Lock, 1/4-20, GrF, Nylon
18	712-04063	Nut, Flange Lock, 5/16-18, GrF, Nylon
19	712-04065	Nut, Flange Lock, 3/8-16, GrF, Nylon
20	712-0641	Nut, Hex, M16-1.5
21	712-3083	Nut, Hex Lock, 1/2-13, Gr8, Nylon
22	712-0206	Nut, Hex, 1/2-13, Gr5
23	714-0104	Pin, Cot, .072 Dia. x 1.13 Lg
24	717-04074	Gear, Deck Adjustment
25	726-0233	Nut, Push, .25 ID x .50 OD
26	732-0308A	Spring, Extension, .50 Dia. x 6.37
27	732-04287	Spring, Extension, .50 Dia. x 6.375
28	734-0973	Wheel, Deck 5.0 x 1.38
29	736-0119	Washer, Lock, 5/16
30	736-0270	Washer, Bell, .265 x .75 x .062
31	736-0289	Bushing, Shoulder, .320 ID x .135
32	736-0267	Washer, Flat, .385 x .87 x .06
33	736-0225	Washer, Lock, 5/8, Internal Tooth
34	736-0187	Washer, Flat, .64 x 1.24 x .06
35	738-0373	Screw, Shoulder, .498 x 1.53, 3/8-16
36	738-04146	Plug, Screw, M16 x 1.5
37	738-04162	Spacer, Shoulder, .8540 x .190
38	742-0616A	Blade, 21.23", Star 3-in-1
39	731-2363	Mulch Plug
40	747-04379	Control Rod, Brake
41	747-04269A	Deck Rod, Front Adjustable
42	748-04069	Pivot Cup, Deck Lift
43	750-0566A	Spacer, .260 x .372 x 1.030
44	754-04060B	Belt, V-Type
45	756-04129	Idler Pulley, 4.25" Dia.
46	712-3087	Wing Nut, 1/4-20
47	783-04327	Cover, Belt, 6.00 Dia.
48	783-1146A	Deck Skirt
49	710-0599	Screw, 1/4-20, .500
50	731-1032B	Chute Assembly, Discharge

IMPORTANT: For a proper working machine, use Factory Approved Parts. **V-belts** are designed to engage and disengage safely. A substitute (non OEM) V-belt can be dangerous by not disengaging completely.

NOTE: Tractor features vary by model. **NOT** all parts listed above and pictured on the previous page are standard equipment.

Models 760-779



Models 760–779

REF. NO.	PART NO.	DESCRIPTION
1	710-0148	Screw, #8-32, .375
2	710-0896	Self-tapping Screw, 1/4-14, .625
3	710-0726	Self-tapping Screw, 5/16-12, .75
4	710-1237	Screw, #10-32, .625
5	710-1314A	Socket Cap Screw, 5/16-18, .625
6	710-1315	Self-tapping Screw, 3/8-16, 1.25
7	751-0813A	LH Exhaust Pipe
8	721-0460	Exhaust Gasket
9	725-0157	Cable Tie, 7.4"
10	726-0205	Hose Clamp, .490
11	710-0599	Screw, 1/4-20, 0.500
12	751-10111	Muffler, Exhaust
13	751-0814A	RH Exhaust Pipe
14	751B221535	Casing Clamp
15	751-0535	Fuel Line Hose
16	751-0564A	Muffler Deflector
17	751-0616A	Muffler, Twin Inlet
18	751-0650B	RH Exhaust Pipe
19	751-0651B	LH Exhaust Pipe
20	751-3140	Oil Drain Valve
21	751-3141	Oil Drain Hose
22	751-3142	Oil Drain Cap
23	783-0615D	Muffler Heat Shield
24	783-0625C	Engine Heat Shield
25	731-1682A	Oil Drain Sleeve
26	751-0617A	Muffer, Single Inlet
27	721-0208	Exhaust Gasket
28	737-0143	Oil Drain Cap, 3/8-18
29	737-0199	Oil Drain Pipe, 3/8-16, 2.0
30	751B213146	Casing Clamp
31	751-0619B	Exhaust Pipe
32	710-0227	Screw, #8-18 x .50
33	710-3029	Hex Screw, 7/16-20, 1.25
34	711-1044	Belt Keeper Pin, 5/16, 4.75
35	751-0622	Exhaust Pipe
36	712-0271	Hex Sems Nut, 1/4-20
37	721-0348	Exhaust Gasket
38	751-0620	Exhaust Pipe

- (a) Tractor models with *Tecumseh* Twin-cylinder Engine
- (b) Tractor models with *Tecumseh* Single-cylinder Engine (16 HP - 18 HP)
- (c) Tractor models with *Tecumseh* Single-cylinder Engine (12 HP - 15 HP)
- (d) Tractor models with *Briggs and Stratton* OHV Twin-cylinder Engine
- (e) Tractor models with *Briggs and Stratton* OHV Single-cylinder Engine (canister muffler)

NOTE: Tractor features vary by model. NOT all parts listed above and pictured on the previous page are standard equipment.