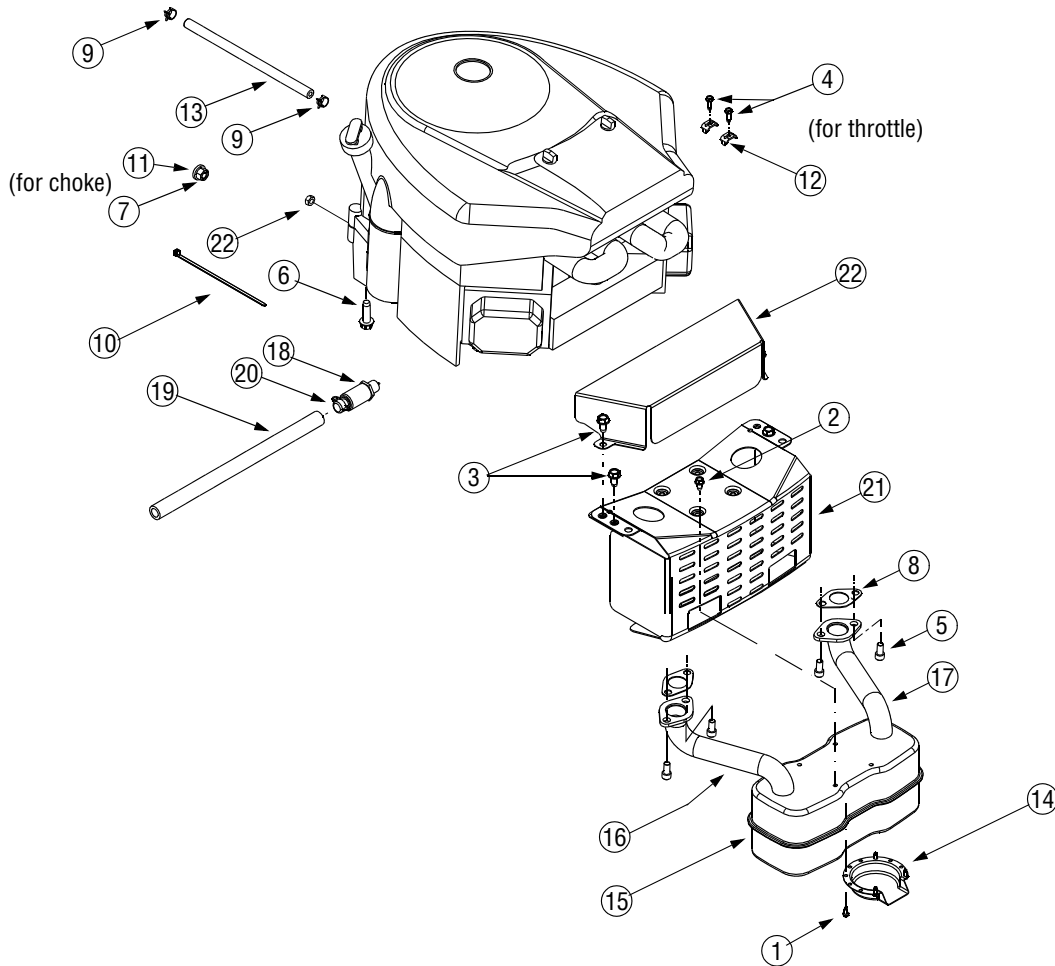


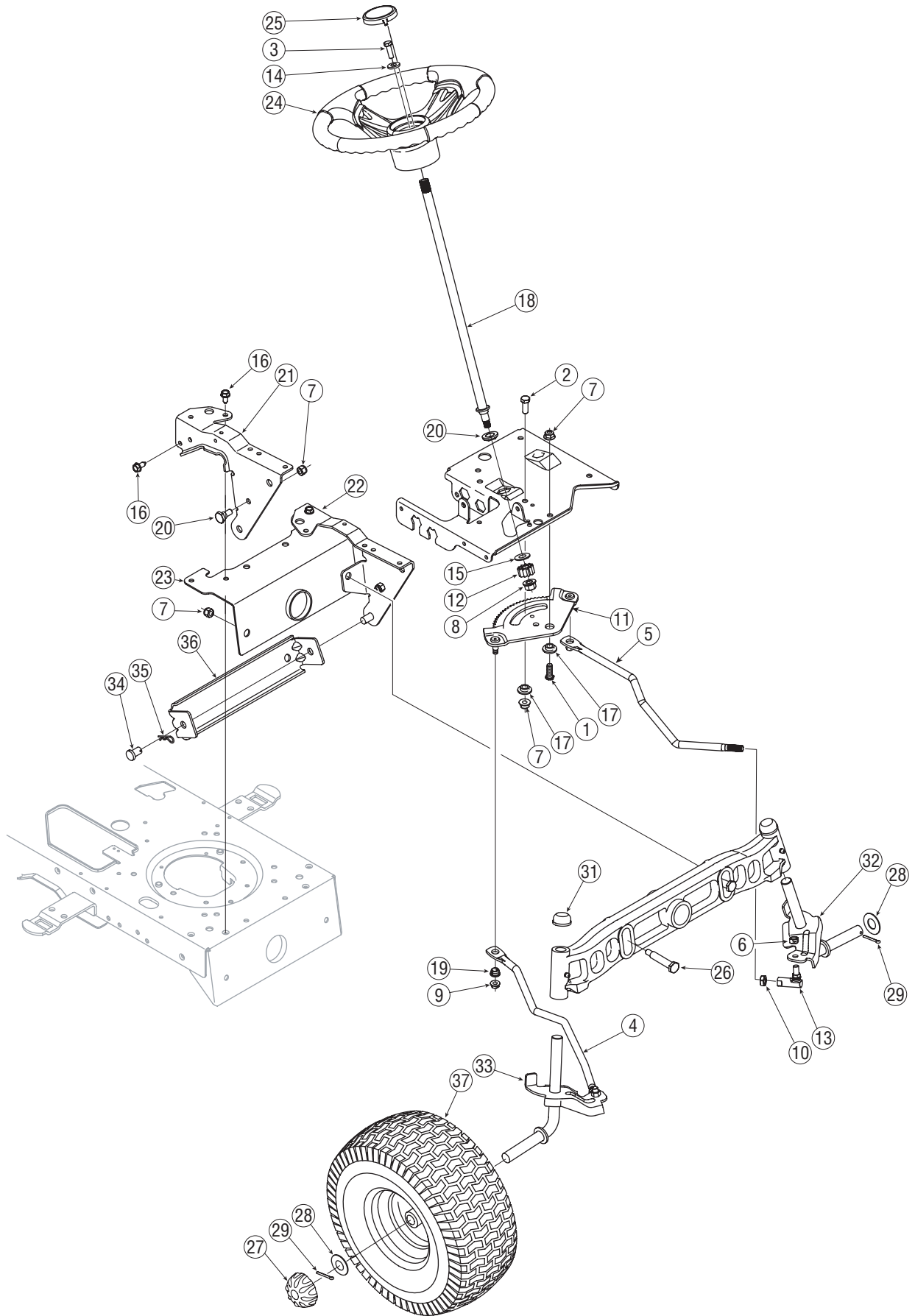
SECTION 12: PARTS LIST



REF. NO.	PART NO.	DESCRIPTION	REF. NO.	PART NO.	DESCRIPTION
1	710-0227	Screw, #8-18 x .50	12	751B221535	Casing Clamp
2	710-0599	Screw, 1/4-20 x .50	13	751-0535	Fuel Line Hose
3	710-0726	Screw, 5/16-18 x .750	14	751-0564A	Muffler Deflector
4	710-1237	Screw, #10-32 x .625	15	751-0616A	Muffler, Twin Inlet
5	710-1314A	Socket Cap Screw, 5/16-18 x .625	16	751-0650B	RH Exhaust Pipe
6	710-1315	Self-tapping Screw, 3/8-16 x 1.25	17	751-0651B	LH Exhaust Pipe
7	712-3017	Hex Nut, 3/8-16	18	751-3140	Oil Drain Valve
8	721-0460	Exhaust Gasket	19	751-3141	Oil Drain Hose
9	726-0205	Hose Clamp	20	751-3142	Oil Drain Cap
10	725-0157	Cable Tie	21	783-0615D	Muffler Heat Shield
11	736-0300	Lock Washer, .406 x .875 x .059	22	712-0271	Sems Nut, 1/4-20

NOTE: Tractor features vary by model. NOT all parts listed and pictured above are standard equipment.

Model Series 606

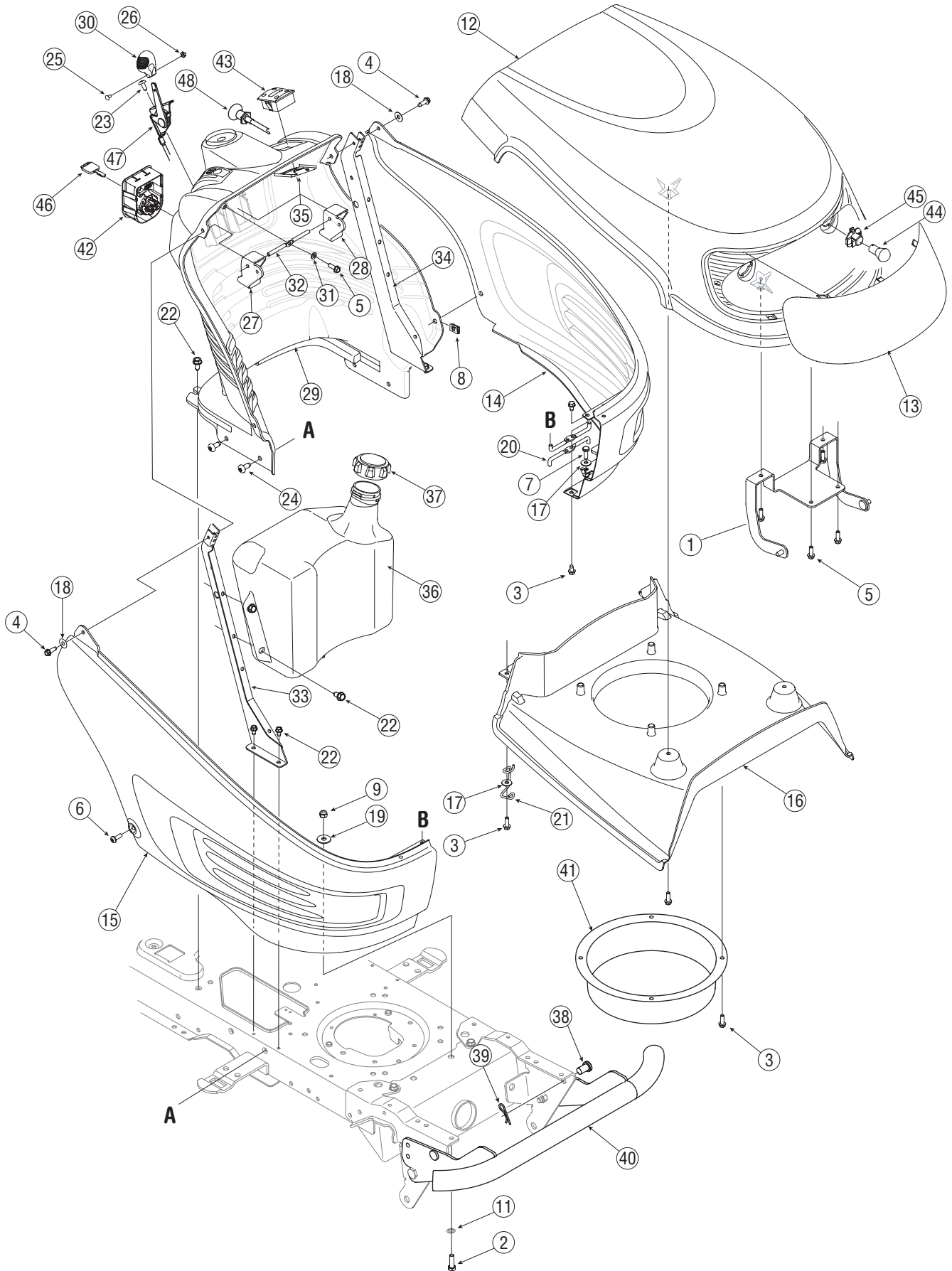


Model Series 606

REF. NO.	PART NO.	DESCRIPTION
1	710-04095	Hex Screw, 3/8-16, 1.00, Gr5
2	710-0514	Hex Screw, 3/8-16, 1.00, Gr5
3	710-0643	Hex Screw, 5/16-18, 1.00, Gr5
4	711-1408	Link, Drag, RH
5	711-1409A	Link, Drag, LH
6	712-0214	Nut, Hex Lock, 3/8-24
7	712-04065	Nut, Flange Lock, 3/8-16, Grf, Nylon
8	712-0459	Nut, Flange Lock, 7/16-20
9	712-3004A	Nut, Flange Lock, 5/16-18, Gr5
10	712-0240	Nut, Jam, 7/16-20, Gr2
11	717-1550E	Gear, Steering, 11/90 Ratio
12	717-1554	Gear, Pinion, Steering
13	723-0448A	Ball Joint, 7/16-20, Lock
14	736-3004	Washer, Flat, .406 x .875 x .105
15	736-3084	Washer, Flat, .51 x 1.12 x .06
16	710-0726	Screw, 5/16-12, 0.750
17	738-04154	Spacer, Shoulder, .38 x 1.00 x .31
18	738-1001A	Shaft, Steering, .625 OD x 24.25 Lg
19	741-0475	Plastic Bushing .380 ID
20	741-0656	Flange Bearing
21	783-0726D	Pivot Bracket, Support RH
22	783-0727C	Pivot Bracket, Support LH
23	783-0728	Pivot Bracket, Bar
24	631-04008	Steering Wheel, 13.25
25	731-04039	Steering Wheel Cap, Round
26	738-1011	Shoulder Screw, .5 x 2.2, 3/8-16
27	734-2290A	Deluxe Hub Cap
28	736-0316	Flat Washer, .78 x 1.589 x .06
29	714-04039	Cotter Pin, 5/32 x 1.25
30	719-04105	Cast Iron Pivot Bar
31	726-0341	Push Cap
32	638-04005	LH Axle Assembly, .750
33	638-04006	RH Axle Assembly, .750
34	711-0332	Pin, Clevis, .50 x .78
35	714-04023	Cotter Pin, Internal, .080 x 1.5625
36	783-0720A	Adjustment Bracket, Front
37	634-04086	Wheel Assembly Complete, 15 x 6 (Models w/ 46" Deck)
	634-04087	Wheel Assembly Complete, 15 x 6 (Models w/ 50" Deck)
	734-1731	Tire Only 15 x 6 x 6 (Models w/ 46" Deck)
	734-04040	Tire Only 15 x 6 x 6 (Models w/ 50" Deck)
	634-04081	Rim Only w/ Valve Stem (All Models)

NOTE: Tractor features vary by model. NOT all parts listed above and pictured on the previous page are standard equipment.

Model Series 606

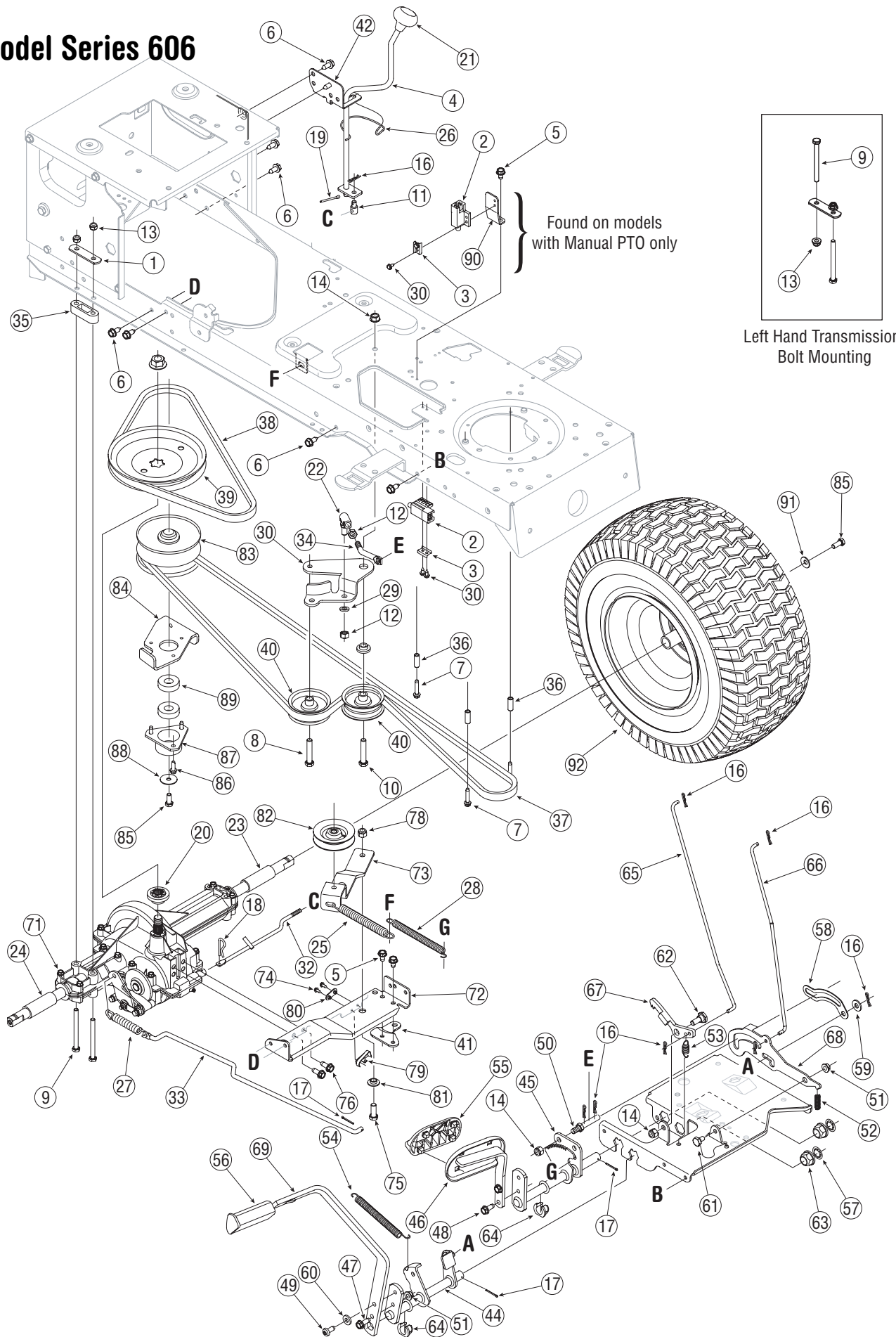


Model Series 606

REF. NO.	PART NO.	DESCRIPTION	REF. NO.	PART NO.	DESCRIPTION
1	683-0305	Bracket Assembly, Hood	29	731-05037	Dash Panel (Models w/ Electric PTO)
2	710-0376	Hex Screw, 5/16-18, 1.00, Gr5		731-05002	Dash Panel (Models w/ Manual PTO)
3	710-0599	Screw, 1/4-20, 0.500	30	731-1857	Control Knob
4	710-0642	Screw, 1/4-20, 0.750	31	736-0142	Washer, Flat, .281 x .50 x .063
5	710-0895	Screw, 1/4-15, 0.750	32	747-1155	Rod, Brake / Cruise Pivot
6	710-0924	Screw, Machine, 1/4-20, 0.750	33	783-04285A	Support Plate, Dash, RH
7	710-3015	Hex Screw, 1/4-20, .75, Gr5	34	783-04323A	Support Plate, Dash, LH
8	712-0292	Nut, Clip, 1/4-20	35	783-0462	Retainer Bracket, PTO Switch
9	712-04063	Nut, Flange Lock, 5/16-18, Grf, Nylon	36	751-0658E	Fuel Tank, 3 Gal.
10	712-04064	Nut, Flange Lock, 1/4-20, Grf, Nylon		751-0659C	Fuel Tank, 2 Gal.
11	726-0201	Nut, Speed, .3125 ID	37	751-0603	Fuel Cap (Fits either fuel tank)
12	731-2283A	Hood	38	711-0332	Pin, Clevis, .50 x .78
13	731-2286	Lens	39	714-0145	Pin, Click, .092 x 1.64
14	731-2307B	Side Panel, LH	40	768-0010B	Bumper
15	731-2308B	Side Panel, RH	41	731-2234A	Bellow
16	731-05219	Plenum, Red	42	725-04227	Ignition Switch Module
17	736-0173	Washer, Flat, .28 x .74 x .063	43	725-04036A	Systems Indicator Monitor w/ Hour Meter
18	736-0342	Washer, Flat, .283 x .75 x .030	44	725-0963	Miniature Lamp, 12V
19	736-3078	Washer, Flat, .344 x 1.0 x .063	45	725-1649	Socket, Lamp
20	747-04301	Support, Side Panel	46	725-1744	Key, Ignition
21	747-2127	Rod, Hood Latch		725-1745	Key w/ Plastic Cover, Ignition
22	710-0726	Screw, 5/16-12, 0.750	47	746-1086	Throttle Cable, 39"
23	710-1017	Screw, 1/4-14, 0.625	48	746-1085A	Choke Knob w/ Cable, 37.5"
24	710-1611B	Screw, 5/16-18, 0.750	—	629-04083	Headlight Wire Harness (All Models)
25	710-3217	Screw, Machine, #8-32, 0.375	—	629-04104	Tractor Wire Harness (Models with Hour Meter & Manual PTO)
26	712-0142	Nut, Hex, #8-32	—	629-04105	Tractor Wire Harness (Models with Hour Meter & Electric PTO)
27	731-04213	Brake Lever			
28	731-04214	Cruise Control Lever			

NOTE: Tractor features vary by model. NOT all parts listed above and pictured on the previous page are standard equipment.

Model Series 606

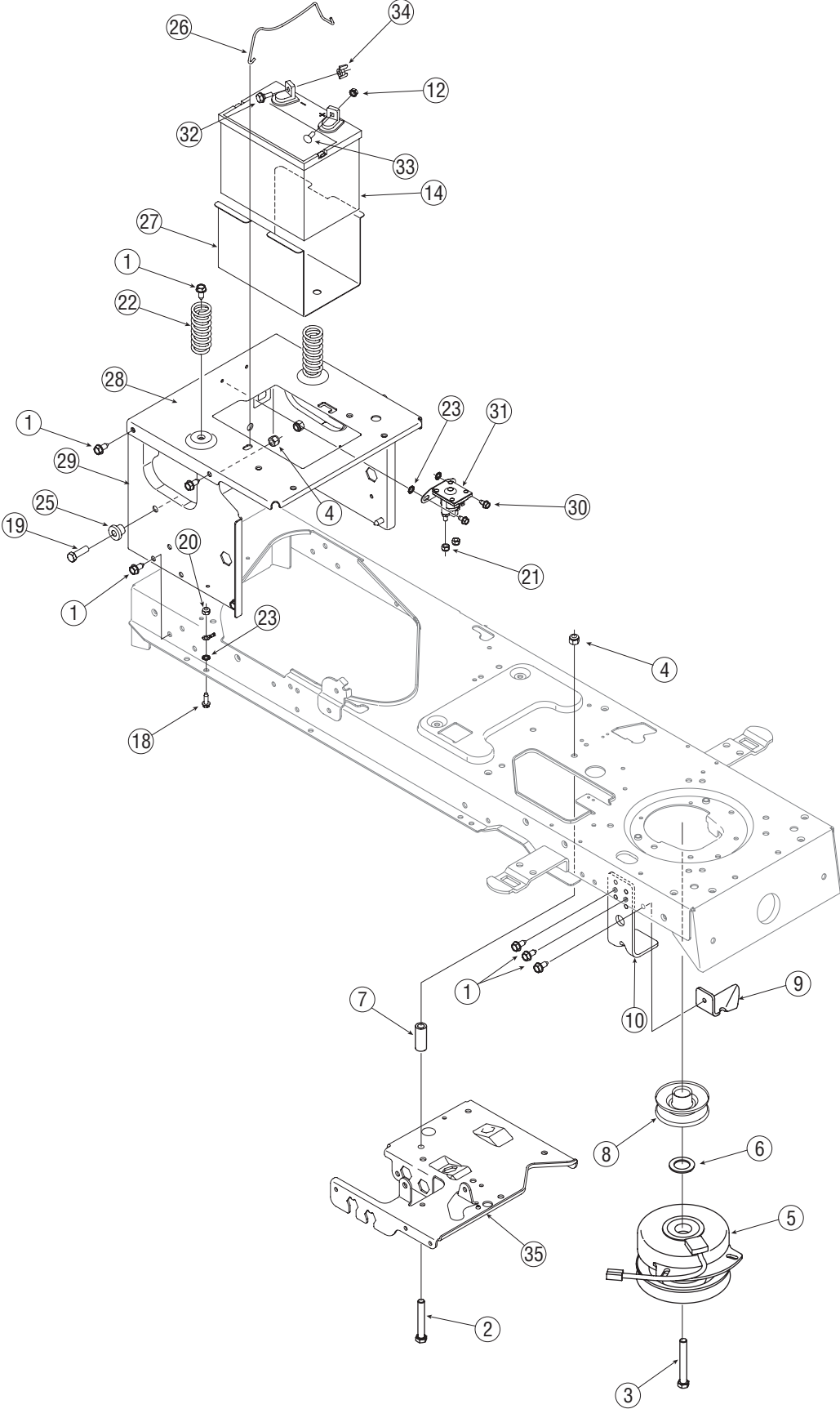


Model Series 606

REF. NO.	PART NO.	DESCRIPTION	REF. NO.	PART NO.	DESCRIPTION
1	17840	Mounting Bracket, Transaxle	50	711-04159B	Pin, 3/8-16 x 2.68
2	725-04039	Switch, Interlock	51	712-3004A	Nut, Flange Lock, 5/16-18, Gr5
3	17962	Plate, Switch	52	732-0335	Spring, Compression, .405 x 1.17
4	647-04020	Lever Assembly, Shift	53	732-0955	Spring, Extension, .50 OD x 1.41
5	710-0607	Screw, 5/16-18, 0.500	54	732-0963	Spring, Extension, .50 OD x 6.37
6	710-0726	Screw, 5/16-12, 0.750	55	735-0662	Pad
7	710-0809	Screw, 1/4-20, 1.250	56	735-3049	Pad, Brake
8	710-1007	Screw, Sems, 3/8-16, 1.500	57	736-0187	Washer, Flat, .64 x 1.24 x .06, Ht
9	710-1266	Screw, 5/16-18, 3.50, Gr5	58	736-0262	Washer, Flat, .385 x .870 x .092
10	710-3144	Screw, 3/8-16, 2.00, Gr5	59	736-0300	Washer, Flat, .406 x .875 x .059
11	711-0736	Adjustment Ferrule 1/4-20 x 1.	60	736-3008	Washer, Flat, .344 x .750 x .120
12	712-0241	Nut, Hex, 3/8-24, Gr5	61	738-0155	Screw, Shoulder .437 Dia x .162
13	712-04063	Nut, Flange Lock, 5/16-18, GrF, Nylon	62	738-0380	Screw, Shoulder, .50 x .27 Lg, 3/8-16
14	712-04065	Nut, Flange Lock, 3/8-16, GrF, Nylon	63	741-0225	Bearing, Hex Flange
15	712-0700	Nut, Flange, 9/16-18, Gr2	64	741-3065B	Split Bearing, Hex Flange
16	714-0104	Pin, Cotter, .072 Dia. x 1.13	65	747-04093	Rod, Brake Lock
17	714-0111	Pin, Cotter, 3/32, 1.0	66	747-04096	Rod, Cruise Control
18	714-0209	Cotter Pin, Internal, .125 Dia.	67	748-04039B	Latch, Cruise Control
19	714-0470	Pin, Cotter, 1/8 x 1.25	68	683-04186	Bracket, Lockout
20	718-0758A	Pulley Hub, 5/8 Spline	69	783-0773A	Ped, Brake
21	720-04028	Knob, Shift	70	783-0780B	Bracket, Neutral Return
22	723-3018	Ball Joint	71	618-04034	Transmission, Single Speed
23	731-04602	Sleeve, .758 x .821 x 3.3125	72	683-04055A	Bracket Assembly, Torque
24	731-04604	Sleeve, .758 x .821 x 2.4375	73	683-04130	Bracket, Idler
25	732-0384	Spring, Extension, .62 Dia x 6.12	74	710-0227	Screw, #8-18 x .50
26	732-0525	Spring Clip, Shifter	75	710-0514	Screw, 3/8-16, 1.00
27	732-0716	Spring, Extension, .59 OD x 4.00	76	710-0604A	Screw, 5/16-18, .625
28	732-0963	Spring, Extension, .50 Dia x 6.37	77	710-3290	Screw, 3/8-16, 1.12
29	736-0169	Washer, Lock, 3/8	78	712-0130	Nut, Lock, 3/8-16, Nylon
30	710-0224	Screw, #10-16, .50	79	725-1644	Switch Spring, Short
31	738-0372B	Spacer, Shoulder, 1.00 x .38 x .38	80	726-0320	Plate, Insulator
32	747-04146	Rod, Shift	81	750-04294	Spacer, Shoulder
33	747-04164	Rod, Brake	82	756-04324	Pulley, V-Type, 3.06
34	747-1127	Idler Rod, Adjustable, 3/8	83	656-04015	Pulley Assembly, Variable Speed
35	748-0334	Spacer, .68	84	683-04129	Bracket, Pulley
36	750-0566A	Spacer, .260 x .372 x 1.030	85	710-0627	Screw, 5/16-24, .750
37	754-0467	Belt, V-Type	86	710-0642	Screw, 1/4-20, .750
38	754-0468	Belt, V-Type	87	718-04012	Cup, Bearing
39	756-04002	Pulley, V-Type, 7.25 Dia.	88	736-0362	Washer, Flat
40	756-0981B	Idler Pulley, Flat 2.75 OD	89	741-0600	Ball Bearing
41	783-04283	Bracket, Shift	90	783-04707	Switch Bracket, Parking Brake
42	783-04360	Bracket, Shift, F-N-R	91	736-0242	Washer, Bell, .340 x .872 x .060
43	783-04442	Idler Bracket, Center Double	92	634-0104	Wheel Assembly Complete, 20 x 8 x 8 (Models w/ 46" Deck)
44	647-0031B	Control Assembly, Brake		634-0177	Wheel Assembly Complete, 20 x 10 x 8 (Models w/ 50" Deck)
45	647-0032A	Control Assembly, Speed		734-1730	Tire Only 20 x 8 x 8 (Models w/ 46" Deck)
46	683-0266	Pedal Assembly		734-1873	Tire Only 20 x 10 x 8 (Models w/ 50" Deck)
47	710-0650	Screw, 5/16-18, 0.875		634-0070	Rim Only w/ Valve Stem (All Models)
48	710-1260A	Screw, 5/16-18, 0.750			
49	710-1611B	Screw, 5/16-18, 0.750			

NOTE: Tractor features vary by model. NOT all parts listed above and pictured on the previous page are standard equipment.

Model Series 606

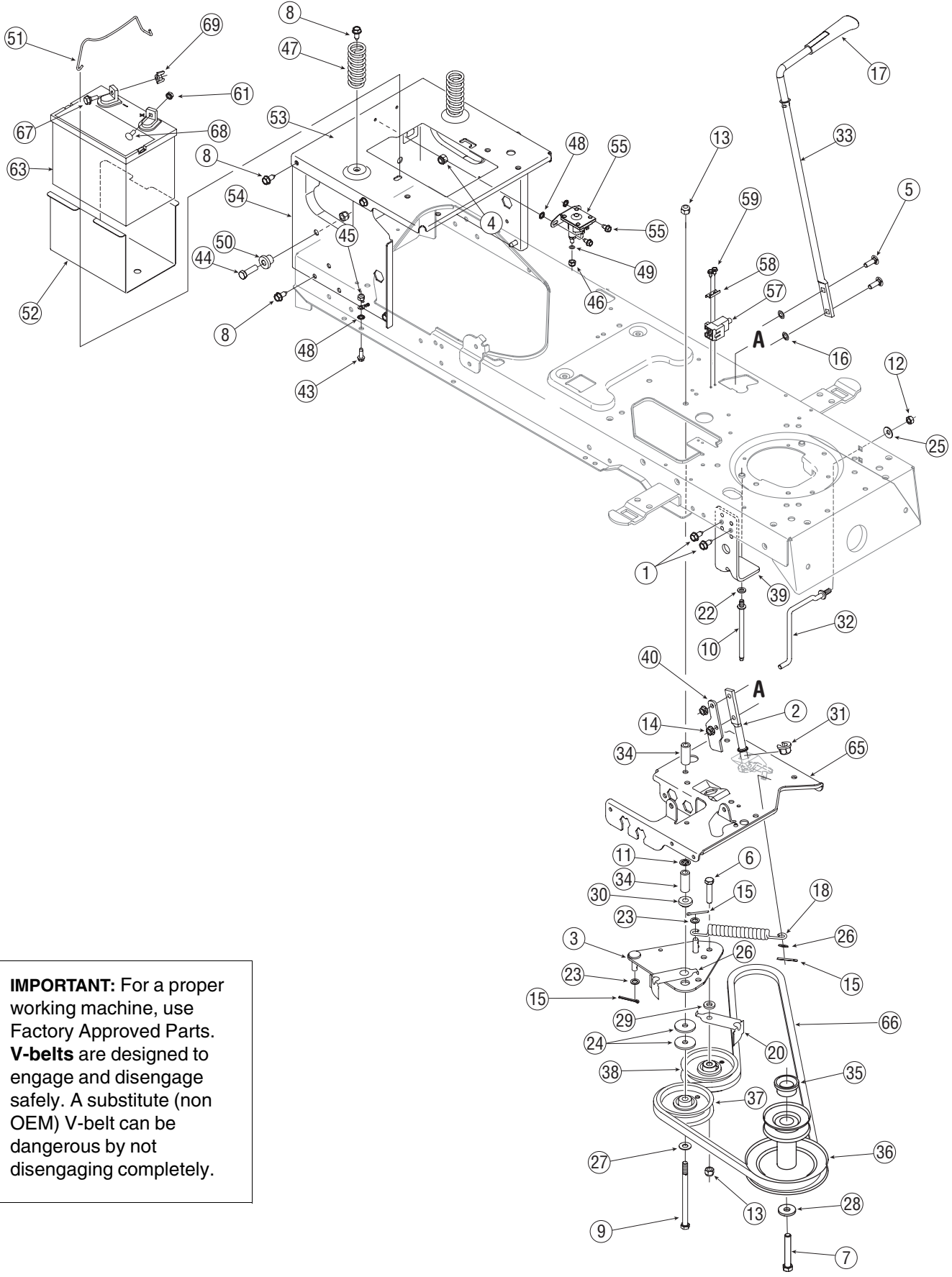


Model Series 606

REF. NO.	PART NO.	DESCRIPTION
1	710-0726	Screw, 5/16-12, 0.75
2	710-0859	Screw, 3/8-16, 2.50, Gr5
3	710-3157A	Screw, 7/16-20, 3.25, Gr5, Lock
4	712-04065	Nut, Flange Lock, 3/8-16, GrF, Nylon
5	717-04174	PTO Clutch, Electric
6	736-0277	Washer, Flat, 1.031 x 1.620 x .095
7	748-0415B	Spacer, .385 ID x .635 OD x 1.54
8	756-0639A	Pulley, Engine, 3.56 Diameter
9	783-04419A	Clutch Bracket
10	783-04467	Deck Bracket, Up-Stop
11	710-0703	Screw, Carriage, 1/4-20, .75, Gr5
12	712-0271	Nut, Sems, 1/4-20
13	712-3087	Nut, Wing, 1/4-20
14	725-1750A	Battery, 235 CCA
15	738-1132	Screw, Shoulder, .250 x .150, 1/4-20
16	683-04173	Frame Assembly, Lower
17	710-0607	Screw, 5/16-18, 0.500
18	710-0642	Screw, 1/4-20, 0.750
19	710-3005	Screw, 3/8-16, 1.25, Gr5
20	712-04064	Nut, Flange Lock, 1/4-20, GrF, Nylon
21	712-3006	Nut, Hex, 1/4-20, Gr5
22	732-04035	Spring, Compression, 1.28 OD x 3.125
23	736-0222	Washer, Lock, 1/4, External
24	736-0329	Washer, Lock, 1/4
25	738-04058	Spacer, Shoulder, .38 x 1.0 x .70
26	747-04121A	Hold Rod, Battery
27	783-0349	Battery Tray
28	783-04329A	Seat Bracket, Frame
29	783-04375A	Frame, Upper
30	710-0599	Screw, 1/4-20, 0.50
31	725-1426	Solenoid, 12V, 100 Amp
32	738-1132	Screw, Shoulder, .250 x .15, 1/4-20
33	710-0703	Screw, Carriage, 1/4-20, .75
34	712-3087	Nut, Wing, 1/4-20
35	783-04612	Support Bracket, Steering

NOTE: Tractor features vary by model. NOT all parts listed above and pictured on the previous page are standard equipment.

Model Series 606



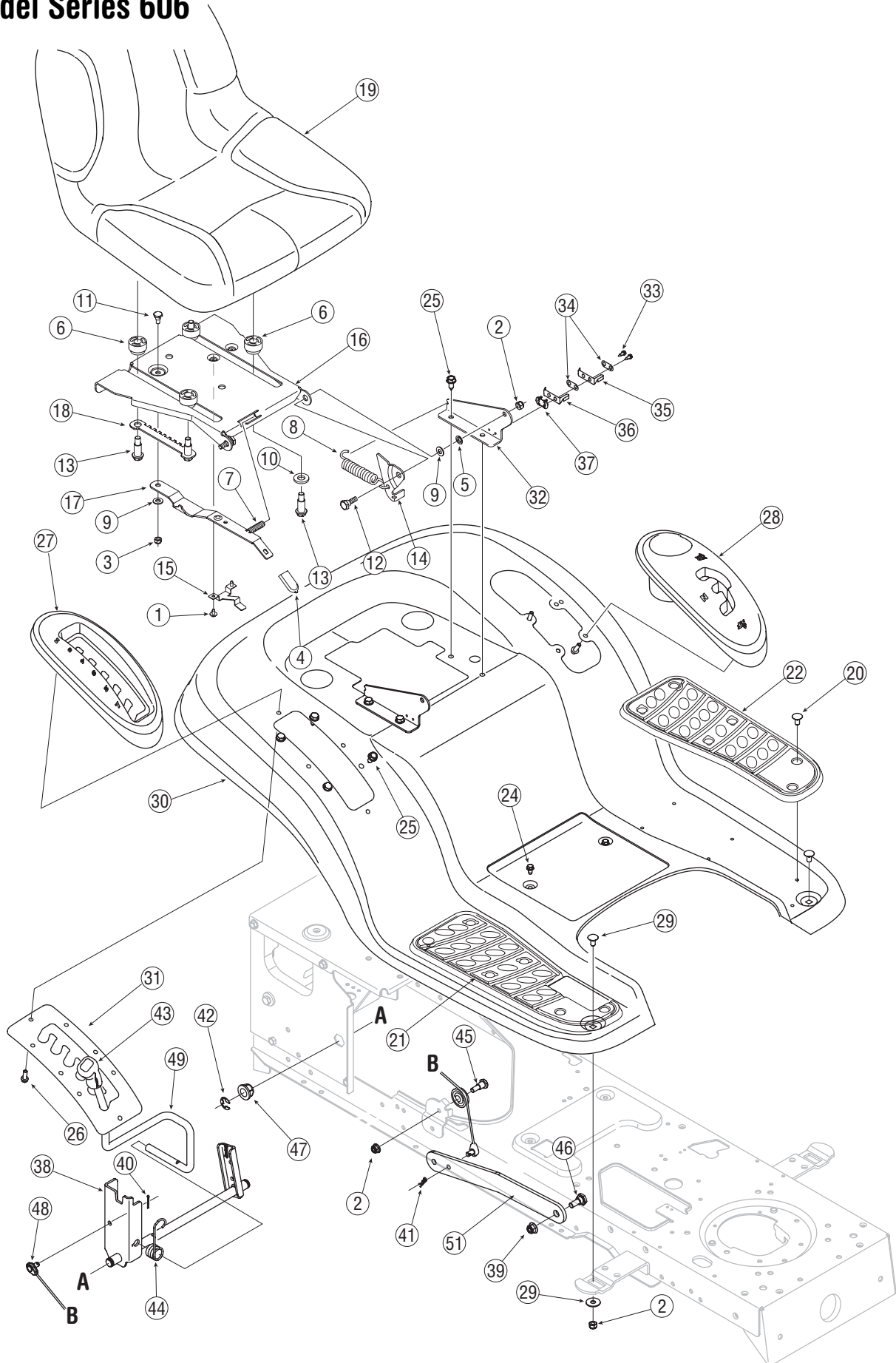
IMPORTANT: For a proper working machine, use Factory Approved Parts. **V-belts** are designed to engage and disengage safely. A substitute (non OEM) V-belt can be dangerous by not disengaging completely.

Model Series 606

REF. NO.	PART NO.	DESCRIPTION	REF. NO.	PART NO.	DESCRIPTION
1	17962	Plate, Switch	36	756-04142	Pulley, Engine, 3.39 x 6.12 Diameter
2	647-0064	Lever Assembly, Engagement	37	756-0487	Pulley, Idler, V-type 5/8 x 4.0 Diameter
3	683-0302	Plate Assembly, Engagement	38	756-0627D	Pulley, Idler, 3.50 Diameter
4	710-0224	Screw, #10-16, 0.500	39	783-04467	Stop Bracket, Deck-Up
5	710-0276	Screw, Carriage, 5/16-18, 1.00	40	783-0744A	Stop Bracket, Engagement
6	710-0347	Screw, 3/8-16, 1.75, Gr5	41	683-04173	Frame Assembly, Lower
7	710-04377	Screw, 7/16-20, 2.75, Gr5	42	710-0607	Screw, 5/16-18, 0.500
8	710-0726	Screw, 5/16-12, 0.750	43	710-0642	Screw, 1/4-20, 0.750
9	710-0831	Screw, 3/8-16, 5.50, Gr5	44	710-3005	Screw, 3/8-16, 1.25, Gr5
10	711-1428	Pin, Belt Guard, 5/16 x 5.80	45	712-04064	Nut, Flange Lock, 1/4-20, GrF, Nylon
11	712-0229	Nut, Push, 3/8	46	712-3006	Nut, Hex, 1/4-20, Gr5
12	712-04063	Nut, Flange Lock, 5/16-18, GrF, Nylon	47	732-04035	Spring, Compression, 1.28 OD x 3.125
13	712-04065	Nut, Flange Lock, 3/8-16, GrF, Nylon	48	736-0222	Washer, Lock, 1/4, External
14	712-3004A	Nut, Flange Lock, 5/16-18, Gr5	49	736-0329	Washer, Lock, 1/4
15	714-0470	Pin, Cotter, 1/8 x 1.25	50	738-04058	Spacer, Shoulder, .38 x 1.0 x .70
16	726-0201	Nut, Speed, .3125 ID	51	747-04121A	Hold Rod, Battery
17	731-2111A	Knob, PTO	52	783-0349	Battery Tray
18	732-0991A	Belt Guard	53	783-04329A	Seat Bracket, Frame
19	732-0944	Spring, Extension, .75 OD x 6.75	54	783-04375A	Frame, Upper
20	732-1013	Belt Guard	55	710-0599	Screw, 1/4-20, 0.50
21	736-0108	Washer, Flat, .510 x .750 x .033	56	725-1426	Solenoid, 12V, 100 Amp
22	736-0119	Washer, Lock, 5/16	57	725-04039	Switch, Interlock
23	736-0140	Washer, Flat, .385 x .62 x .063	58	17962	Plate, Switch
24	736-0227	Washer, Flat, .390 x 1.500 x .134	59	710-0224	Screw, #10-16, .50
25	736-0242	Washer, Bell, .340 x .872 x .060	60	710-0703	Screw, Carriage, 1/4-20, .75, Gr5
26	736-0275	Washer, Flat, .344 x .688 x .065	61	712-0271	Nut, Sems, 1/4-20
27	736-0300	Washer, Flat, .406 x .875 x .059	62	712-3087	Nut, Wing, 1/4-20
28	736-0322	Washer, Flat, .450 x 1.250 x .164	63	725-1750A	Battery, 235 CCA
29	736-3010	Washer, Flat, .407 x .812 x .135	64	738-1132	Screw, Shoulder, .250 x .150, 1/4-20
30	738-0372B	Spacer, Shldr, 1.00 x .38 x .38	65	783-04612	Support Bracket, Steering
31	741-0708	Bearing, Flange, Hex Split .500 ID	66	754-04064	V-Belt, PTO
32	747-04355	Keeper Rod, Belt	67	738-1132	Screw, Shoulder, .250 x .15, 1/4-20
33	747-1112D	Engagement Handle, Deck	68	710-0703	Screw, Carriage, 1/4-20, .75
34	748-0415B	Spacer, .385 ID x .635 OD x 1.54	69	712-3087	Nut, Wing, 1/4-20
35	750-0956	Spacer, 1.010 x 1.400 x .825			

NOTE: Tractor features vary by model. NOT all parts listed above and pictured on the previous page are standard equipment.

Model Series 606

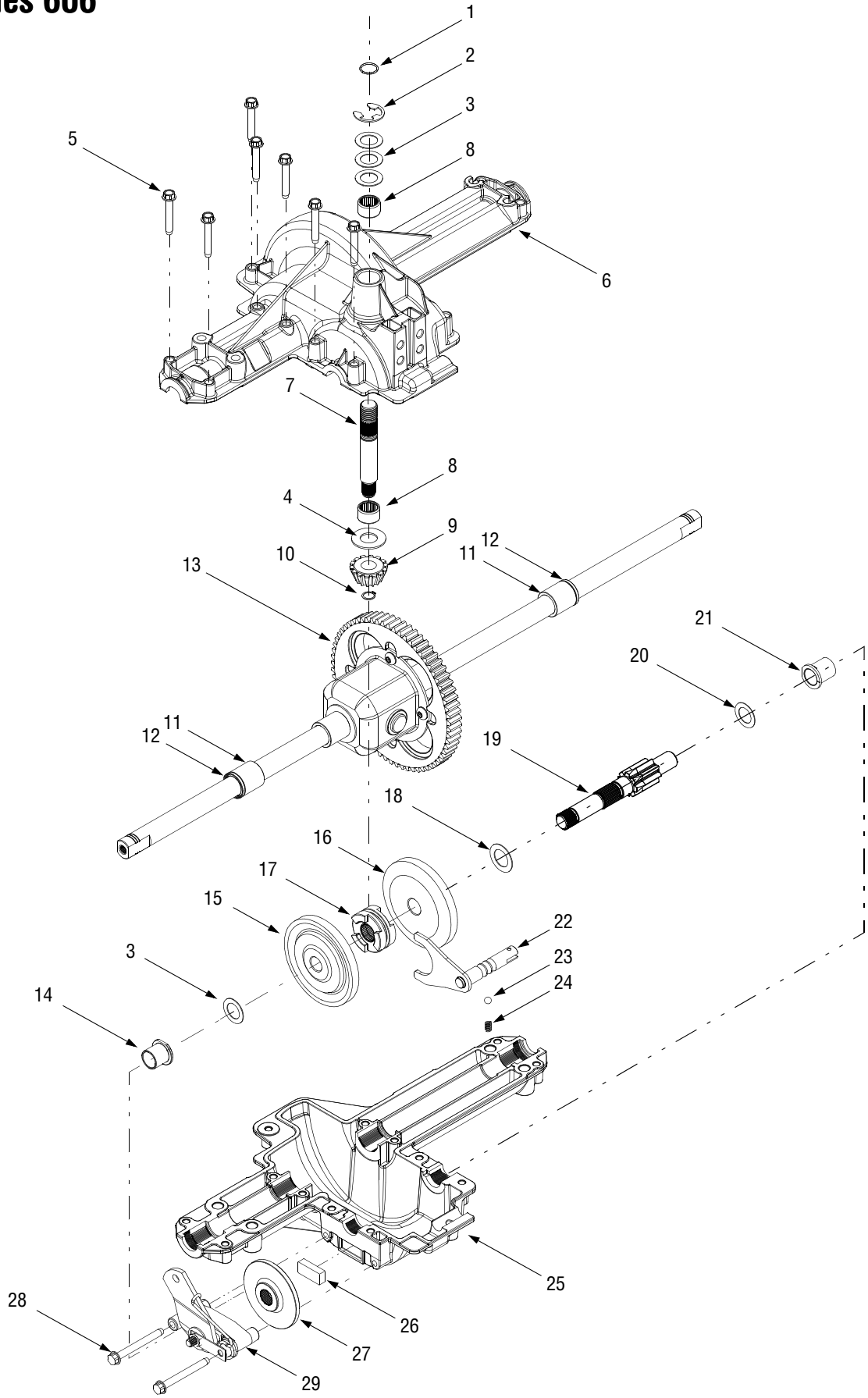


Model Series 606

REF. NO.	PART NO.	DESCRIPTION
1	710-1268	Screw, #10-16 x .375
2	712-04063	Nut, Flange Lock, 5/16-18, GrF, Nylon
3	712-3027	Nut, Flange Lock, 1/4-20
4	720-0309A	Seat Adjuster Grip
5	726-0201	Nut, Speed, .3125 ID
6	731-04074	Spacer
7	732-0499	Compression Spring, .41 x 1.5
8	732-1184	Spring, Extension, .84 Dia. x 4.6
9	736-0275	Wash, Flat, .344 x .688 x .065
10	736-3019	Wash, Flat, .531x 1.062 x .134
11	738-0137A	Screw, Shoulder, .340 x .285, 1/4-20
12	738-0296	Screw, Shoulder, .437 x .268, 5/16-18
13	738-0966	Screw, Shoulder, .50 x .925, 3/8-16
14	783-0209C	Seat Bracket, Lift
15	783-0611	Seat Stop
16	783-0738B	Seat Pivot Bracket
17	783-0739A	Seat Adjustment Lever
18	783-0753	Seat Adjustment Selector
19	757-04003	High Back Seat, Black
20	726-3046	Ratchet Clip
21	735-0656	RH Foot Pad, Rubber
22	735-0657	LH Foot Pad, Rubber
23	710-0260A	Bolt, Carriage, 5/16-18, .62, Gr1
24	710-0599	Screw, 1/4-20, 0.500
25	710-0726	Screw, 5/16-12, 0.750
26	710-0895	Screw, 1/4-15, 0.750
27	731-1990	Cover, Lift Lever
28	731-2104C	Cover, w/ Cup Holder
29	736-3078	Washer, Flat, .344 x 1.0 x .063
30	783-04333A	Fender
31	783-0677	Adjustment Bracket, Lift
32	783-1489A	Mounting Bracket, Seat
33	710-0227	Screw, #8-18 x .50
34	726-0279	Plate, Insulator
35	725-1303	Spring Switch, Inner
36	725-1439	Spring Switch, Outer
37	726-0278	Plate, Insulator Boss
38	683-04079	Shaft Assembly, Lift
39	712-04065	Nut, Flange Lock, 3/8-16, GrF, Nylon
40	714-0104	Pin, Cotter, .072 Dia. x 1.13
41	714-0111	Pin, Cotter, 3/32, 1.0
42	716-0106A	Ring, E Type, .625 Dia.
43	720-0311	Grip, Handle, 1/2
44	732-0874	Spring, Torsion
45	738-0138a	Screw, 5/16-18 x .620 Gr2
46	738-0380	Screw, Shoulder, .50 x .27, 3/8-16
47	741-0225	Bearing, Hex Flange
48	746-0968	Cable, Lift, 16.16
49	747-04155	Handle, Lift
50	756-1154	Pulley, Roller
51	783-0678A	Arm, Lift

NOTE: Tractor features vary by model. NOT all parts listed above and pictured on the previous page are standard equipment.

Model Series 606



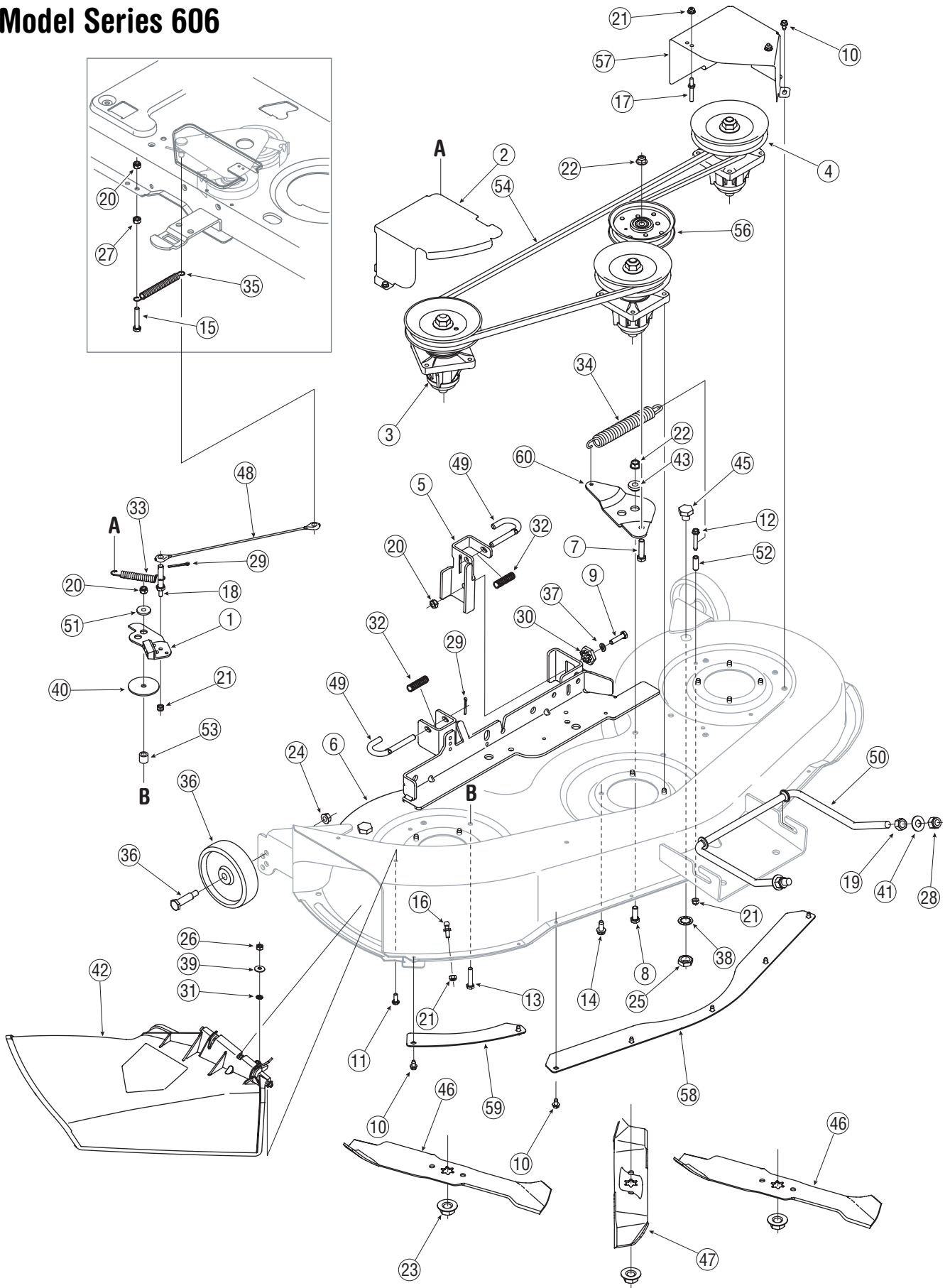
Model Series 606

REF. NO.	PART NO.	DESCRIPTION
1	732-0614	Ring, Wire
2	716-0231	Ring, E Type, .750
3	736-0336	Flat Washer, 5/8 x 1.0 x .030*
	736-0337	Flat Washer, 5/8 x 1.0 x .040*
	736-0349	Flat Washer, 5/8 x 1.0 x .020*
4	736-0335	Washer, Thrust .635 x 1.26 x .06
5	710-1325	Self-tapping Screw, 1/4-20 x 1.625
6	719-04017	Upper Housing
7	711-1109	Input Shaft
8	741-0335	Needle Bearing, .625 x .813 x .495
9	717-1464	14-tooth Bevel Pinion
10	716-0108	Retaining Ring, .437
11	741-0340	Sleeve Bearing, .75 x .1.0 x 1.0
12	721-0338	Seal, .75 x 1.0 x .125
13	618-04041	Differential Assembly
14	741-0336	Flange Bearing, 5/8 x 3/4 x 3/4
15	717-1362	42-tooth Bevel Gear
16	717-1363	42-tooth Bevel Gear
17	718-0228	Clutch Collar
18	736-0519	Flat Washer, .70 x 1.125 x .031
19	711-04053	Drive Shaft
20	736-0495	Thrust Washer, 1.0 x .632 x .0
21	741-0337	Flange Bearing, 5/8 x 3/4 x 15/16
22	611-0011	Detent Shaft Assembly
23	741-0862	Detent Ball
24	732-0863	Compression Spring
25	719-04018	Lower Housing
26	717-0678	Brake Puck
27	761-0202	Brake Disc
28	710-1206	Self-tapping Screw, 1/4-20 x 2.375
29	661-0001	Brake Assembly
—	737-0148	Grease (19 oz.)

*Use applicable flat washer (12a, 12b or 12c) in this application allowing .0150/.0020 in. end-play

NOTE: If rebuilding the upper housing, include two ounces (2 oz.) of Unirex[®] N3 grease (Part No. 737-0289) in the input shaft cavity.

Model Series 606



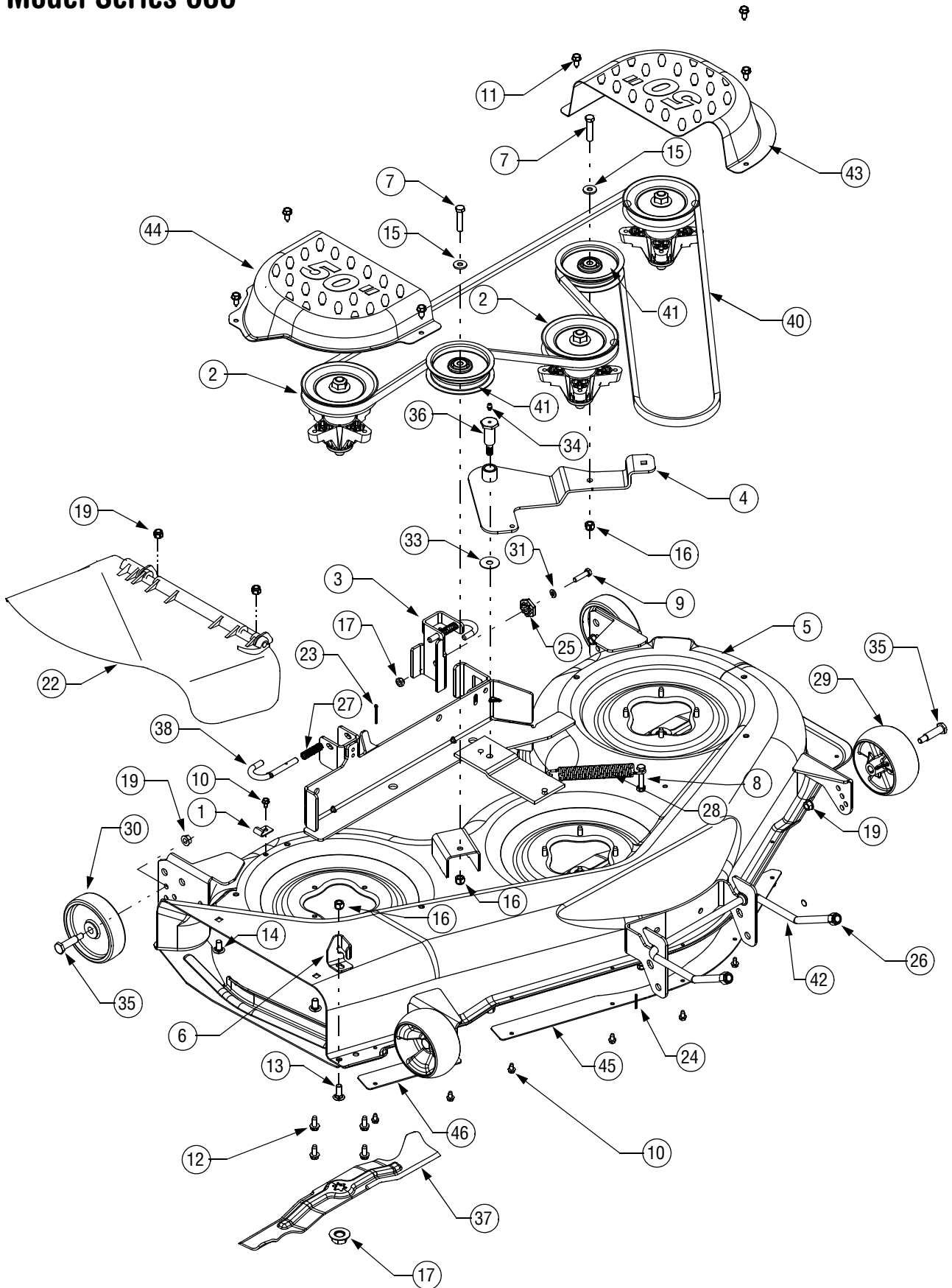
Model Series 606

REF. NO.	PART NO.	DESCRIPTION	REF. NO.	PART NO.	DESCRIPTION
1	17116	Brake Assembly, Deck	32	732-0306A	Spring, Compression, .531 OD x 1.75
2	17258D	RH Belt Cover, Deck 46"	33	732-0429A	Spring, Extension, .50 Dia x 3.97
3	618-0240A	Spindle Assembly, 5.00 Dia.	34	732-0594A	Spring, Extension, .91 Dia x 7.33
4	618-04134A	Spindle Ass'y, Double Pulley	35	732-1165	Spring, Extension, .50 Dia x 5.0
5	683-0254B	Hanger Bracket Assembly	36	734-0973	Wheel, Deck 5.0 x 1.38
6	683-04104A	Deck Weldment	37	736-0119	Washer, Lock, 5/16
7	710-0344	Screw, 3/8-16, 1.50, Gr5	38	736-0225	Washer, Lock, 5/8
8	710-0514	Screw, 3/8-16, 1.00, Gr5	39	736-0270	Washer, Bell, .265 x .75 x .062
9	710-0528	Screw, 5/16-18, 1.25, Gr5	40	736-0418A	Washer, Flat, .34 x 2.25 x .10
10	710-0599	Screw, 1/4-20, 0.500	41	736-3084	Washer, Flat, .51 x 1.12 x .06
11	710-0751	Screw, 1/4-20, .620, Gr5	42	731-1032B	Chute Assembly
12	710-0778	Screw, 1/4-20, 1.500	43	738-0347	Spacer, Shoulder, .625 ID x .169
13	710-0805	Screw, 5/16-18, 1.50, Gr5	44	738-0373	Spacer, Shoulder, .498 x 1.53, 3/8-16
14	710-1260A	Screw, Ld, 5/16-18, 0.750	45	738-04146	Plug, Screw, M16 x 1.5
15	710-3180	Screw, 5/16-18, 1.75, Gr5	46	742-0611A	Blade, 16.28", Star 3-in-One
16	711-04069	Pin, Grasscatcher, 1/4-20	47	742-0612A	Blade, 14.88", Star 3-in-One
17	711-0993	Belt Guard Pin 1/4 Dia x 1.43	48	746-1107	Cable, 12.00"
18	711-1554	Pin, 1/4-20, 3/8 x 2.0	49	747-1116	Rod, Deck Release
19	712-0206	Nut, Hex, 1/2-13, Gr5	50	747-1130B	Rod, Deck
20	712-04063	Nut, Flange Lock, 5/16-18, GrF, Nylon	51	748-0234	Shoulder Spacer
21	712-04064	Nut, Flange Lock, 1/4-20, GrF, Nylon	52	750-0566A	Spacer, .260 x .372 x 1.030
22	712-04065	Nut, Flange Lock, 3/8-16, GrF, Nylon	53	750-1320	Spacer, .375 x .63 x .595
23	712-0417A	Nut, Flange, 5/8-18	54	754-0349	Belt, V-Type, Poly
24	712-0431	Nut, Flange Lock, 3/8-16, GrF	55	754-04064	Belt, V-Type
25	712-0641	Nut, Hex, M16-1.5	56	756-04129	Pulley, Idler, 4.25" Dia.
26	712-3006	Nut, Hex, 1/4-20, Gr5	57	783-1348B	Belt Cover, LH
27	712-3010	Nut, Hex, 5/16-18, Gr5	58	783-0141	Deck Skirt, Center
28	712-3083	Nut, Hex Lock, 1/2-13, Gr8, Nylon	59	783-0142	Deck Skirt, RH
29	714-0470	Pin, Cot, 1/8 x 1.25	60	783-04641	Bracket, Idler
30	717-04074	Adjustment Gear, Deck	61	783-1025	Stop, Chute
31	726-0233	Nut, Push, .25 ID x .50 OD			

IMPORTANT: For a proper working machine, use Factory Approved Parts. **V-belts** are designed to engage and disengage safely. A substitute (non OEM) V-belt can be dangerous by not disengaging completely.

NOTE: Tractor features vary by model. **NOT** all parts listed above and pictured on the previous page are standard equipment.

Model Series 606



Model Series 606

REF. NO.	PART NO.	DESCRIPTION	REF. NO.	PART NO.	DESCRIPTION
1	16606	Hook, Retainer	24	714-3004	Pin, Cotter, 3/32 x 1.25
2	618-04125	Spindle Assembly	25	717-04074	Deck Adjustment Gear
3	683-0254B	Hanger Bracket Assembly	26	712-3083	Lock Nut, Hex, 1/2-13, Nylon
4	683-04098	Idler Bracket	27	732-0306A	Spring, Compression, .531 x 1.75
5	683-04075	Weldment, 50-inch Deck	28	732-0459B	Spring, Extension, .94 x 6.74
6	703-3279	Chute Stop	29	734-04039	Deck Wheel, 5.0
7	710-0347	Screw, 3/8-16, 1.75	30	734-0973	Deck Wheel, 5.0
8	710-3103	Screw, 5/16-18 x 2.00	31	736-0119	Washer, Lock, 5/16, Regular Duty
9	710-0528	Screw, 5/16-18, 1.25, Gr5	32	736-0407	Washer, Bell, .45 x 1.0 x .062
10	710-0599	Screw, 1/4-20 x 0.5	33	736-0406	Washer, Flat, .442 x 1.38 x .060
11	710-0726	Screw, 5/16-18 x .625	34	737-3000	Fitting, Lube, 3/16
12	710-1260A	Screw, 5/16-18 x .75	35	738-0373	Shoulder Screw
13	710-3168	Screw, Carriage, 3/8-16 x 1.0	36	738-3005	Screw, Shoulder, .68 x 1.59
14	710-3178	Screw, Carriage, 3/8-16 x .75	37	742-04053A	Blade
15	736-0300	Washer, Flat, .406 x .875 x .059	38	747-1116	Rod, Handle, Deck Release .375 Dia
16	712-04065	Nut, Nylon Lock, 3/8-16	39	750-0151	Spacer, .550 x .755 x 1.1
17	712-0417A	Nut, Hex, Flange, 5/8-18	40	754-04048	Belt, V-Type, Aramid
18	712-04063	Nut, Nylon Lock, 5/16-18	41	756-04129	Pulley, Idler, 3.5"
19	712-0431	Nut, Flange Lock, 3/8-16	42	747-1324	Rod, Deck Adjustment
20	712-3010	Nut, Hex, 5/16-18, Gr5	43	783-04399	LH Belt Cover
21	712-3019	Nut, 7/16-14	44	783-04400	RH Belt Cover
22	631-04070	Chute Assembly, Side Discharge	45	783-04414	Deck Skirt, Center
23	714-0470	Pin, Cotter, 1/8 x 1.25	46	783-04415	Deck Skirt, RH

IMPORTANT: For a proper working machine, use Factory Approved Parts. **V-belts** are designed to engage and disengage safely. A substitute (non OEM) V-belt can be dangerous by not disengaging completely.

NOTE: Tractor features vary by model. *NOT* all parts listed above and pictured on the previous page are standard equipment.