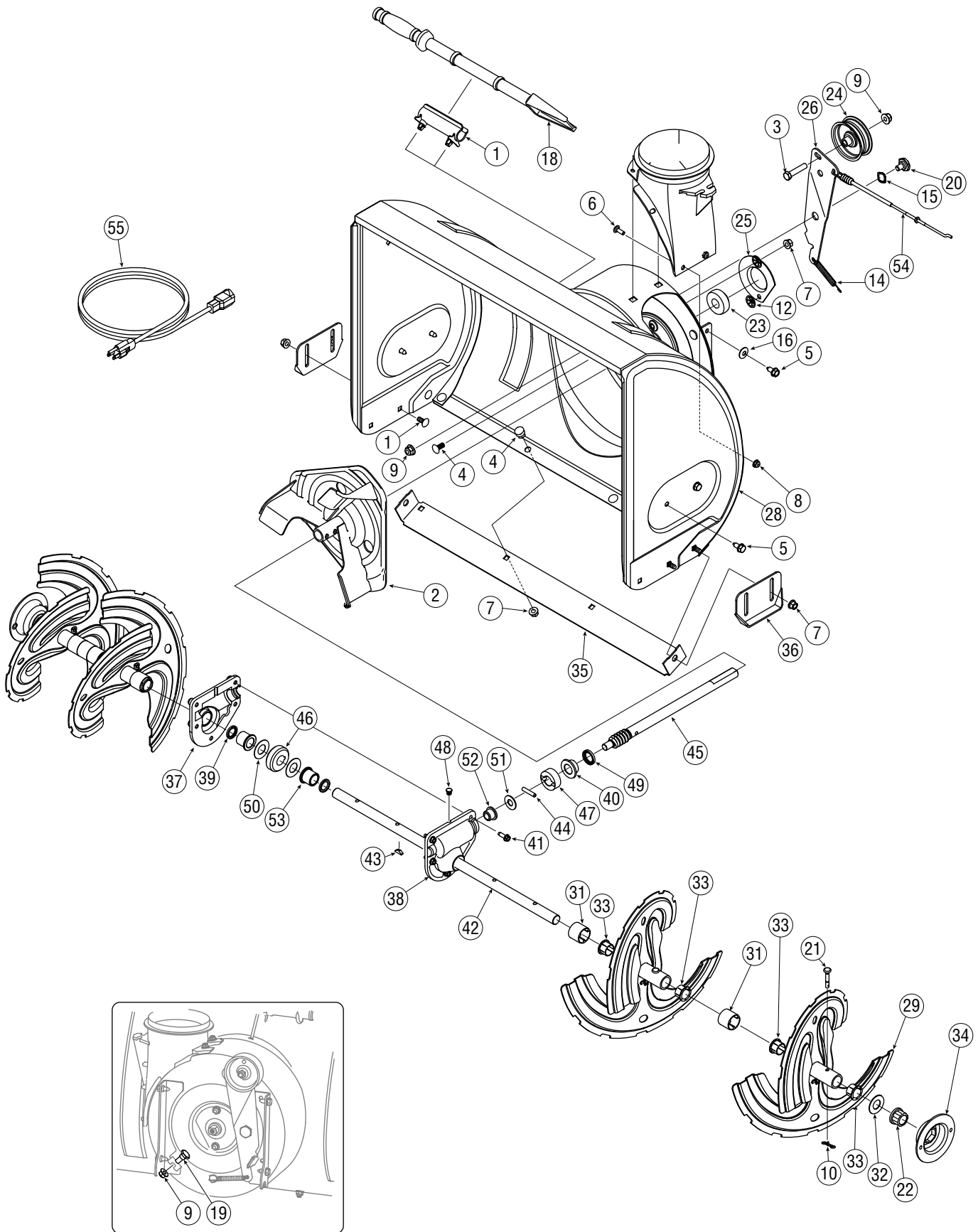


Styles E & F



1.	731-2635	Snow Removal Tool Mount
2.	684-04057	Impeller Assembly, 12" Dia.
3.	710-0347	Hex Screw, 3/8-16, 1.75, Gr5
4.	710-0451	Bolt, Carriage, 5/16-18, .750 Gr1
5.	710-0604A	Screw, 5/16-18, 0.625
6.	710-0703	Screw, Carriage, 1/4-20, .750, Gr5
7.	712-04063	Nut, Flange Lock, 5/16-18, Nylon
8.	712-04064	Nut, Flange Lock, 1/4-20, Nylon
9.	712-04065	Nut, Flange Lock, 3/8-16, Nylon
10.	714-04040	Cotter Pin, Bow-tie
11.	725-0157	Cable, Tie, 3/16 x .05 x 7.4
12.	726-04012	Nut, Push-on, .25 Dia
13.	731-04705	Chute, Adapter 5" Dia
14.	732-0611	Spring, Extension, .38 OD x 3.6
15.	736-0174	Washer, Wave, .625 x .885 x .015
16.	736-0242	Washer, Bell, .340 x .872 x .060
17.	736-0463	Washer, Flat, .25 x .630 x .0515
18.	731-2643	Snow Removal Tool
19.	738-0143	Screw, Shoulder, .498 x .34, 3/8-16
20.	738-0281	Screw, Shoulder, .625 x .17, 3/8-16
21.	738-04124A	Shear Pin, .25 x 1.50
22.	741-0245	Bearing, Hex Flange x .75 ID
23.	741-0309	Bearing, Ball, .75 ID x 1.85 OD
24.	756-0981A	Flat Pulley, Idler, 2.75 OD
25.	790-00075	Housing, Bearing, 1.85 ID
26.	790-00080	Bracket, Auger Idler w/ Brake
27.	618-04170	Gearbox Assembly, Auger, 22"
	618-04171	Gearbox Assembly, Auger, 24"
	618-04172	Gearbox Assembly, Auger, 26"
	618-04173	Gearbox Assembly, Auger, 28"
28.	684-04068	Housing Assembly, Auger 22"
	684-04069	Housing Assembly, Auger 24"
	684-04070	Housing Assembly, Auger 26"
	684-04071	Housing Assembly, Auger 28"

29.	684-04107	Spiral Assembly, LH
30.	684-04108	Spiral Assembly, RH
31.	731-04870*	Spacer, 1.25 OD x .75 ID x 1.00
32.	736-0188	Washer, Flat, .76 x 1.49 x .06
33.	741-0493A	Bushing, Flange, .80 ID x .91 OD
34.	790-00087A	Housing, 1" Hex Bearing
35.	790-00117	Shave Plate, 2.25 x 21.66
	790-00120	Shave Plate, 2.25 x 23.66
	790-00121	Shave Plate, 2.25 x 25.66
	790-00118	Shave Plate, 2.25 x 27.66
36.	784-5580	Slide Shoe
37.	719-0319	Housing, Auger, RH Reduced
38.	719-0320	Housing, Auger, LH Reduced
39.	721-0179	Seal, Oil, .750 ID
40.	741-0662	Bearing, Flange, .75 x 1.0 x .59
41.	710-0642	Screw, Self-tapping, 1/4-20, 0.750
42.	711-04286	Axle, Auger, 22"
	711-04285	Axle, Auger, 24"
	711-04284	Axle, Auger, 26"
	711-04283	Axle, Auger, 28"
43.	714-0161	Key, Hi-pro 3/16 x 5/8
44.	715-04021	Pin, Dowel, .25 OD x 1.2
45.	717-04126	Shaft, Worm .75 OD
46.	717-0528A	Gear, Worm 20T
47.	718-04071	Collar, Thrust
48.	721-0325	Plug, 1/4 x .437
49.	721-0327	Seal, Oil, .75 x 1 x .131
50.	736-0351	Washer, Flat, .760 ID x 1.5 OD
51.	736-3084	Washer, Flat, .51 x 1.12
52.	741-0663	Bearing, Flange, .75 x 1.0 x .925
53.	741-0661A	Bearing, Flange, .75 x 1.00 x .975
54.	746-04230	Clutch Cable, Auger, 47.23"
55.	629-0071	Extension Cord, 110V

* None found between spirals on models with 22-inch auger housing.

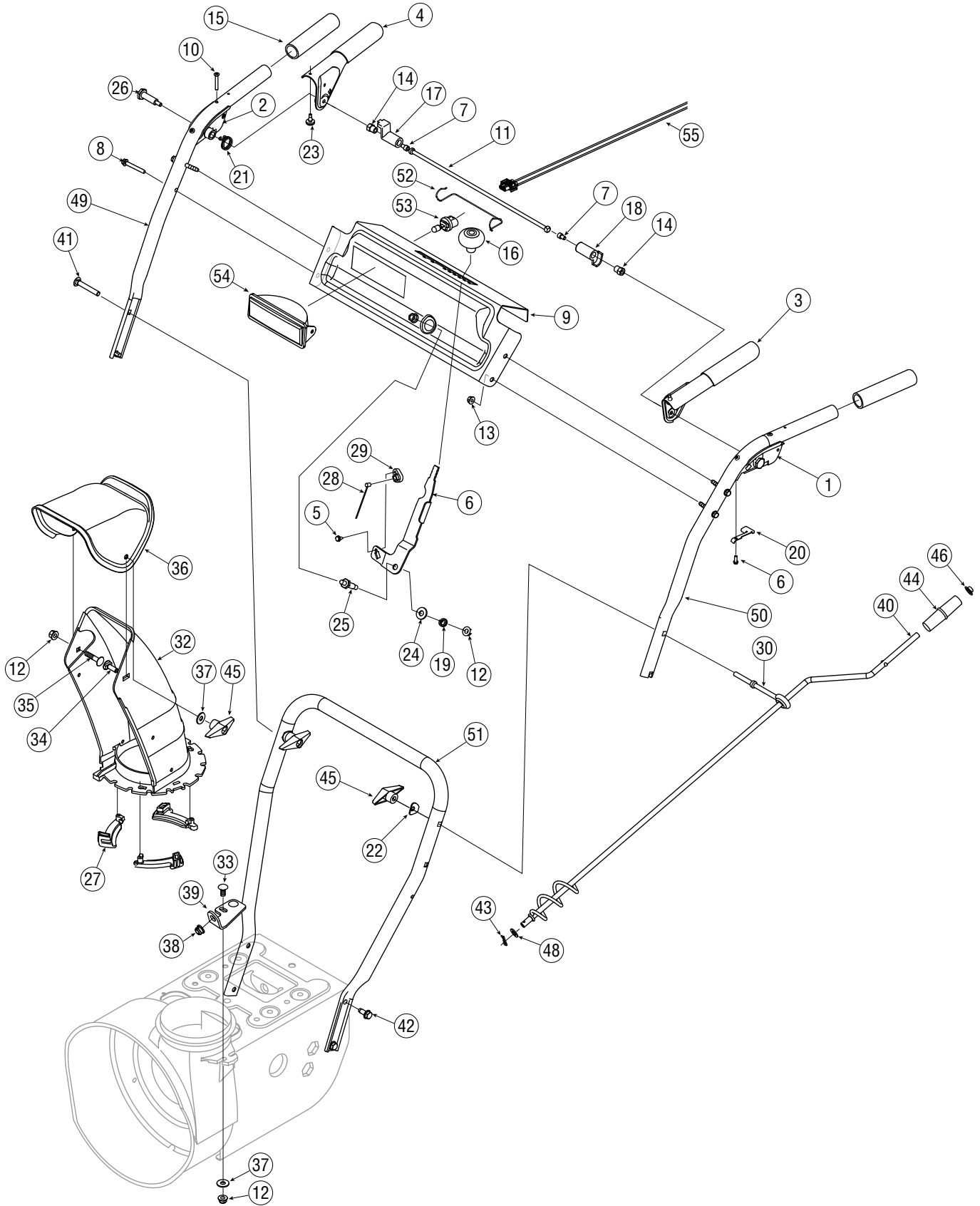
* One found between spirals on models with 24-inch auger housing.

* Two found between spirals on models with 26-inch auger housing.

* Three found between spirals on models with 28-inch auger housing.

NOTE: Snow thrower features and components vary by model. NOT all parts listed above and pictured on the previous page are standard equipment.

Styles E & F

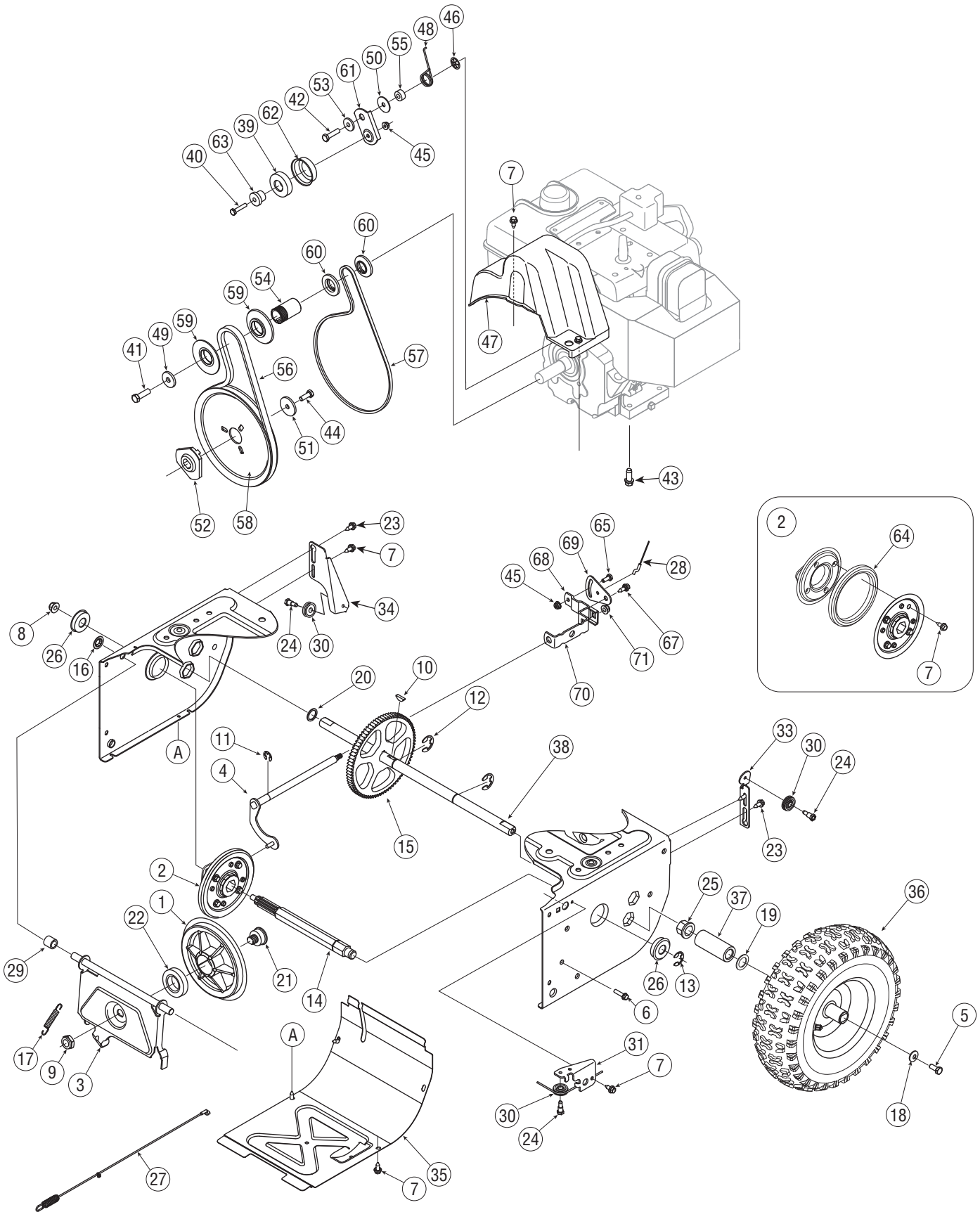


1.	631-04133	Handle Assembly, Clutch Lock, LH	28.	746-04228	Cable, Speed Selector
2.	631-04134A	Handle Assembly, Clutch Lock, RH	29.	746-0605	Houlder, Cable Barrel, LH
3.	684-04105A	Handle Ass'y, Engagement LH	30.	747-04263	Eye Bolt, Chute Crank
4.	684-04106A	Handle Ass'y, Engagement RH	31.	790-00202	Shift Lever
5.	710-0224	Screw, #10-16, 0.500	32.	731-04912A	Chute, Lower, 5.0 Dia.
6.	710-04326	Screw, #8-16 x .50	33.	710-0276	Bolt, Carriage, 5/16-18, 1.0
7.	710-04354	Screw, 1/4-20, .375	34.	710-04071	Bolt, Carriage, 5/16-18, 1.0
8.	710-0606	Hex Screw, 1/4-20, 1.50, Gr5	35.	710-0451	Bolt, Carriage, 5/16-18, .750
9.	790-00219	Panel, Handle, (no cutout) E-Style	36.	731-04426A	Chute, Upper, w/ Label
	790-00209	Panel, Handle, (w/ cutout) F-Style	37.	736-0159	Washer, .349 x .879 x .063
10.	710-1233	Screw, Machine, #10-24, 1.375	38.	741-0475	Bushing, Plastic, .380
11.	711-04287	Pivot Rod	39.	784-5647	Bracket, Chute Crank
12.	712-04063	Nut, Flange Lock, 5/16-18, Nylon	40.	684-04104	Crank Assembly, Chute
13.	712-04064	Nut, Flange Lock, 1/4-20, Nylon	41.	710-0449	Screw, Carriage, 5/16-18, 2.25
14.	712-04081A	Nut, Hex, 1/4-20, Shoulder	42.	710-1260A	Screw, 5/16-18, 0.75, Gr5
15.	720-0274	Grip, 1.0 ID x 5.0	43.	714-0104	Pin, Cotter, .072 x 1.13
16.	720-04039	Knob, Shift	44.	720-0201A	Crank Knob, 1.0 Dia. x 3.2, Black
17.	731-04894A	Lock Plate	45.	720-0284	Knob Assembly, Wing Nut, 5/16-18
18.	731-04896A	Cam, Clutch Lock	46.	726-0100	Cap, Push, 3/8 Rod
19.	732-0193	Spring, .39 x .60 x .88	47.	735-0234	Grommet, .44 ID x .94 OD x .50
20.	732-04219	Spring, Clutch Lock	48.	736-0185	Washer, Flat, .375 x .738 x .063
21.	732-04238	Spring, Torsion, 0.8156 ID x .3038	49.	749-04141	Handle, Upper, RH
22.	736-0451	Washer, Saddle, 320 x .93 x .060	50.	749-04142	Handle, Upper, LH
23.	735-0199A	Bumper, Rubber, .62 OD x .22	51.	749-04138	Handle, Lower
24.	736-0262	Washer, Flat, .385 x .870 x .092	52.	747-1136	Retainer, Lens
25.	738-04118	Bolt, Shoulder, 5/16-18 x 0.905	53.	725-1658	Lamp, Halogen, 12V, 27W
26.	738-04122	Screw, Shoulder, .43 x 1.3, 1/4-20	54.	725-1672	Lens Assembly, Lamp
27.	731-04869	Chute, Flange Keeper	55.	725-04220	Wire Harness, Lamp

NOTE: A lamp cannot be added to a unit that did come come factory-equipped with a lamp.

NOTE: Snow thrower features and components vary by model. NOT all parts listed above and pictured on the previous page are standard equipment.

Styles E & F



1.	756-04177	Disc, Friction Wheel
2.	684-04153	Friction Wheel Assembly, 5.5 OD
3.	684-04154	Support Bracket, Friction Wheel
4.	684-04156	Shift Assembly, Rod
5.	710-0627	Hex Screw, 5/16-24, .750, Gr5
6.	710-0788	Screw, 1/4-20, 1.000
7.	710-0896	Screw, 1/4-14 x .625
8.	712-04065	Nut, Flange Lock, 3/8-16, Nylon
9.	712-0413	Nut, Jam Lock, 5/8-18, Gr5, Nylon
10.	714-0126	Key, Hi Pro, 3/16 x 3/4 Dia.
11.	716-0104	E-ring, .500 Dia.
12.	716-0136	E-ring, Retaining, .875 Dia.
13.	716-0231	E-ring, .750 Dia.
14.	717-04209	Hex Shaft, .8125, 7-Tooth
15.	717-04230	Gear, 80-Tooth
16.	726-0221	Speed Nut, .500
17.	732-0264	Extension Spring
18.	736-0242	Washer, Bell, .340 x .872 x .060
19.	736-0287	Washer, Flat, .793 x 1.24 x .060
20.	736-04161	Washer, Flat, .75 x 1.00 x .060
21.	738-04164	Pin, Friction Disc
22.	741-04098	Ball Bearing, 30 x 55 x 13
23.	738-04184	Screw, Shoulder, .37 x .105, 1/4-20
24.	738-0924	Screw, 1/4-28, .375
25.	741-0245	Bearing, Hex Flange x .75 ID
26.	741-0563	Bearing, Ball, 17 x 40 x 12
27.	746-04229	Clutch Cable, Wheel, 44.95"
28.	746-04230	Clutch Cable, Auger, 47.23"
29.	748-0190	Spacer, .508 ID x .75 OD x .68
30.	756-0625	Roller, Cable
31.	790-00096	Front Guide Bracket, Auger Cable
32.	790-00180	Frame
33.	790-00206	Guide Bracket, Auger Cable
34.	790-00207	Guide Bracket, Drive Cable
35.	790-00226	Cover, Frame
36.	See Chart	Wheel Assembly

37.	731-04873	Spacer, 1.25 x .75 x 3.0
	731-04877*	Spacer, 1.25 x .75 x 1.50
38.	738-04168	Axle, .75 x 22"
39.	741-0919	Ball Bearing
40.	710-0106	Hex Screw, 1/4-20, 1.25, Gr5
41.	710-0191	Hex Screw, 3/8-24, 1.25, Gr8
42.	710-04520	Hex Screw, 5/16-24, 1.25, Gr5
43.	710-0654A	Screw, Sems, 3/8-16, 1.00
44.	710-1245B	Hex Screw, 5/16-24, .875, Gr8
45.	712-04064	Nut, Flange Lock, 1/4-20, Nylon
46.	726-04012	Nut, Push-on, .25 Dia.
47.	731-04792A	Cover, Belt
48.	732-04308	Spring, Torsion, .850 ID x .354
49.	736-0247	Washer, Flat, .406 x 1.25 x .157
50.	736-0362	Washer, Flat, .330 x 1.25 x .06
51.	736-0505	Washer, Flat, .34 x 1.50 x .150
52.	748-04053	Pulley, Adap, .75 Dia W/dd
53.	748-04097	Spacer, Shoulder
54.	750-04303	Spacer, .875 ID x 1.185 OD
55.	750-04477	Spacer, .340 x .750 x .360
56.	754-04050	Belt, Auger Drive
57.	754-04088	Belt, Wheel Drive
58.	756-04109	Pulley, Auger Drive, 8.1 x .5
59.	756-04113	Pulley, Half, V x 2.600 OD
60.	756-04179	Pulley, Half, 1/4-V x 1.5 OD
61.	790-00208	Idler Bracket, Wheel Drive
62.	790-00230	Sleeve, Bearing Idler
63.	750-04571	Spacer, Shoulder, .26 x .79 x .538
64.	735-04054	Rubber, Friction Wheel, 5.5 OD
65.	710-0751	Hex Screw, 1/4-20, .620, Gr5
66.	732-04311	Spring, Torsion, .750 ID x .968
67.	738-04184	Screw, Shoulder, .37 x .105, 1/4-20
68.	790-00156	Bracket, Shift Spacer
69.	790-00217	Pivot Bracket, Speed Selector
70.	790-00218	Shift Bracket, Speed Selector
71.	712-04063	Nut, Flange Lock, 5/16-18, Nylon

Wheel Assembly	Wheel Size	Rim Only	Tire Only	Valve Only
634-04144	13 x 4	634-04151	734-1732	734-0255
634-04143	13 x 5	634-04151	734-1527	734-0255
634-04142	15 x 5	634-04151	734-1859	734-0255
634-04141**	16 x 4.8	634-04140	734-1530	734-0255

** The wheel axle is mounted in the frame side's upper hex-hole on models equipped with 16-inch wheels.

NOTE: Snow thrower features and components vary by model. NOT all parts listed above and pictured on the previous page are standard equipment.