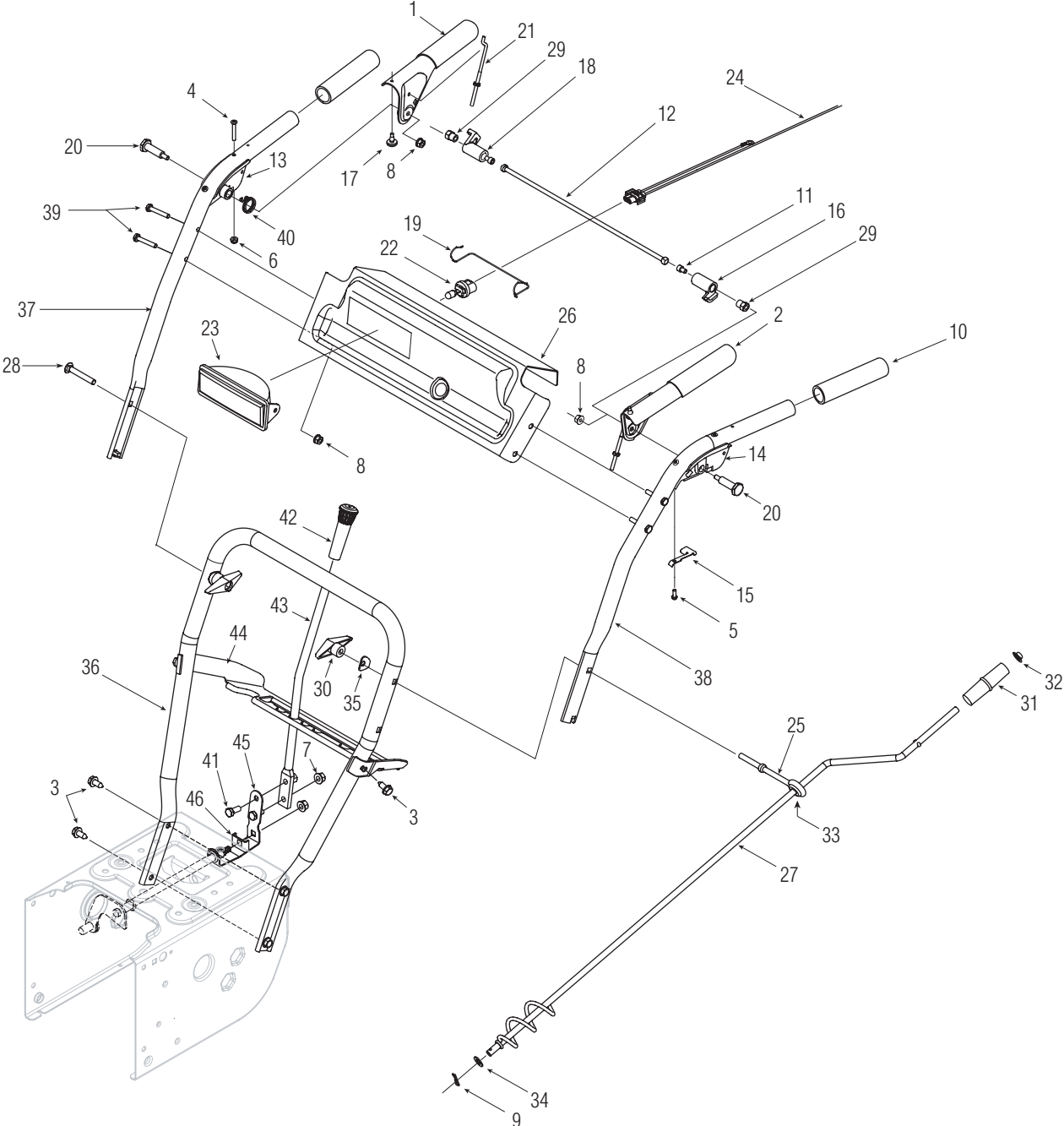


SECTION 9: PARTS LIST

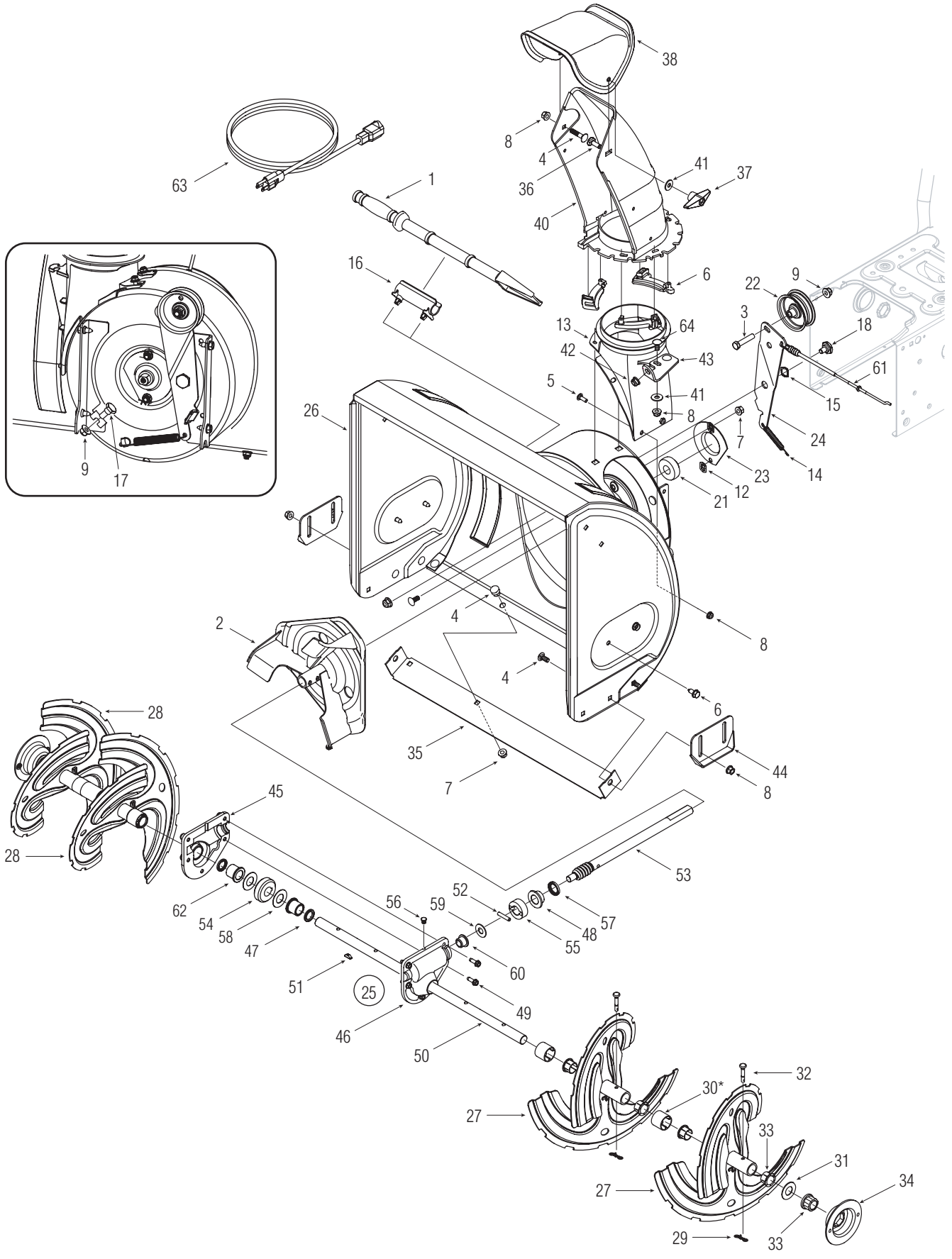


Styles C & D

REF. NO.	PART NO.	DESCRIPTION
1	684-04106A	Handle Ass'y, Engagement RH Black
2	684-04105A	Handle Ass'y, Engagement, LH Black
3	710-0726	Screw, Self-tapping, 5/16-12, 0.750
4	710-1233	Screw, Machine, #10-24, 1.375
5	710-04164	Screw, #8-18 x .375
6	712-0161	Nut, Hex Lock, #10-24, Gr2, Nylon
7	712-04063	Nut, Flange Lock, 5/16-18, Grf, Nylon
8	712-04064	Nut, Flange Lock, 1/4-20, Grf, Nylon
9	714-0104	Pin, Cotter, .072 x 1.13
10	720-0274	Grip, 1.0 ID x 5.0
11	710-04354	Screw, 1/4-20, .375
12	711-04287	Rod, Pivot
13	631-04134	Handle, Clutch Lock, RH
14	631-04133	Handle, Clutch Lock, LH
15	732-04219	Spring, Control Lever Lock
16	731-04896	Cam, Lock
17	735-0199A	Bumper, Rubber, .62 OD x .22
18	731-04894	Plate, Lock
19	747-1136	Retainer, Lens
20	738-04122	Screw, Shoulder, .437 x 1.345, 1/4-20
21	746-0778	Z Fitting, Cable
22	725-1658	Lamp, Halogen, 12V, 27W
23	725-1672	Lens Assembly, Lamp
24	725-04220	Harness, Headlight
25	747-04263	Eye Bolt, Chute Crank
26	790-00100	Panel, Handle, C-Style
	790-00101	Panel, Handle (w/ Cutout), D-Style
27	684-04104	Crank Assembly, Chute
28	710-0449	Screw, Carriage, 5/16-18, 2.25, Gr5
29	712-04081A	Shoulder Nut, Hex, 1/4-20
30	720-0284	Knob Assembly, Wing Nut, 5/16-18
31	720-0201A	Crank Knob, 1.0 Diameter x 3.2, Black
32	726-0100	Cap, Push, 3/8 Rod
33	735-0234	Grommet, .44 ID x .94 OD x .50
34	736-0185	Washer, Flat, .375 x .738 x .063
35	736-0451	Washer, Saddle, 320 x .93 x .060
36	749-04138	Handle, Lower, Snow
37	749-04141	Handle, Upper, RH
38	749-04142	Handle, Upper, LH
39	710-0606	Screw, Hex, 1/4-20 x 1.5
40	732-04238	Spring, Torsion, .8156 x .3038
41	710-0376	Screw, 5/16-18 x 1.0
42	720-0223	Grip
43	747-04243	Lever, Shift
44	790-00099	Panel, Speed Selector (5 FW, 2 RV)
45	732-04205	Spring, Shift Lever
46	790-00156	Bracket, Shift Spacer

NOTE: Snow thrower features and components vary by model. NOT all parts listed above and pictured on the previous page are standard equipment.

Styles C & D



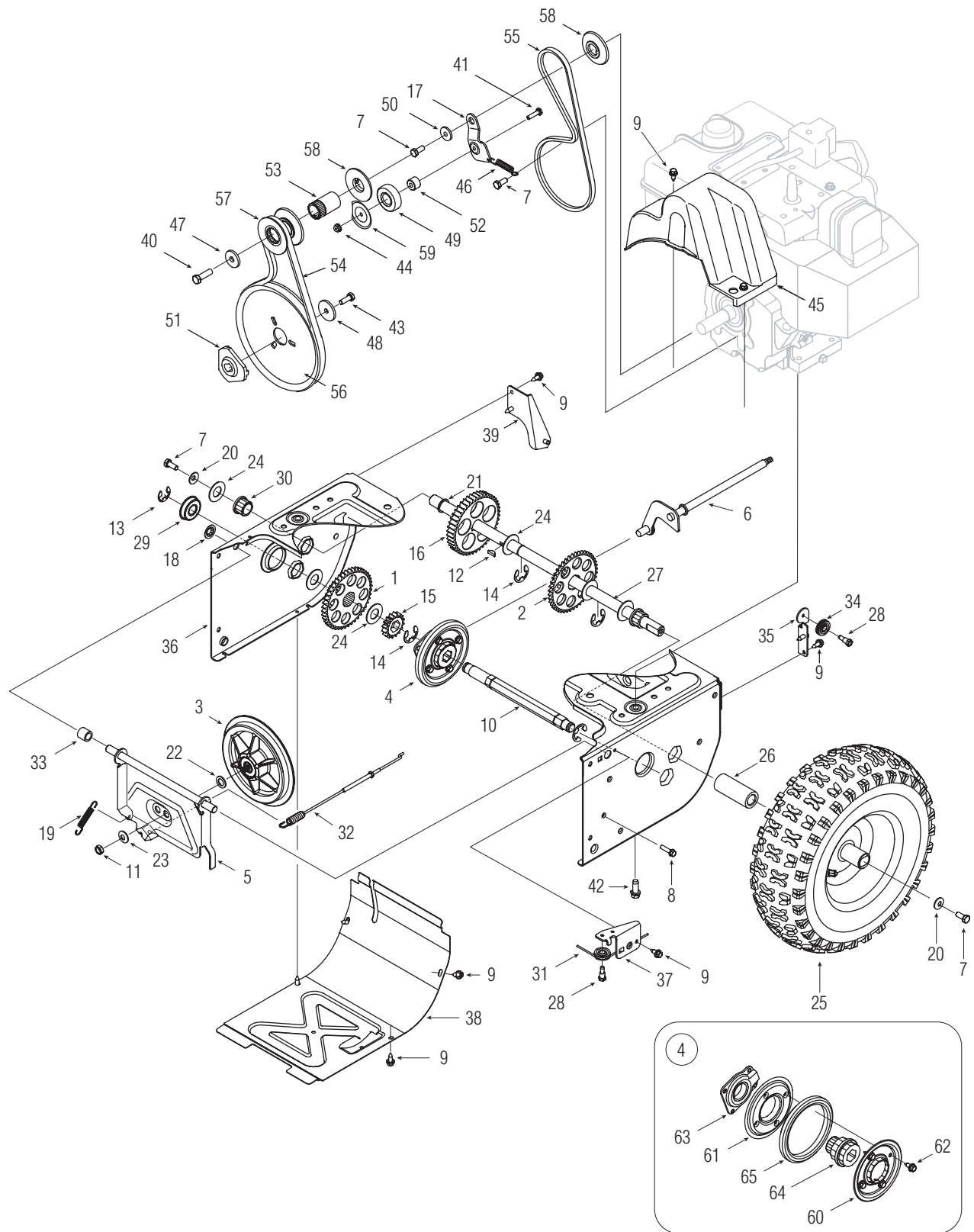
Styles C & D

REF. NO.	PART NO.	DESCRIPTION	REF. NO.	PART NO.	DESCRIPTION
1	731-2643	Clean Out Tool	33	741-0493A	Bushing, Flange, .800 ID x .910 OD
2	684-04057	Impeller Assembly, 12" Diameter	34	790-00087	Housing, Bearing, 1" Hex
3	710-0347	Hex Screw, 3/8-16, 1.75, Gr5, Std	35	790-00117	Plate, Shave, 2.25 x 21.66
4	710-0451	Bolt, Carriage, 5/16-18, .750 Gr1		790-00120	Plate, Shave, 2.25 x 23.66
5	710-0703	Screw, Carriage, 1/4-20, .75, Gr5		790-00121	Plate, Shave, 2.25 x 25.66
6	710-0726	Screw, Self-tapping, 5/16-12, 0.750		790-00118	Plate, Shave, 2.25 x 27.66
7	712-04063	Nut, Flange Lock, 5/16-18, Grf, Nylon	36	710-04071	Bolt, Carriage, 5/16-18, 1.0
8	712-04064	Nut, Flange Lock, 1/4-20, Grf, Nylon	37	720-04032	Knob Assembly
9	712-04065	Nut, Flange Lock, 3/8-16, Grf, Nylon	38	731-04426A	Chute, Upper, w/ Domestic Label
10	714-0149B	Internal Cotter Pin	39	731-04869	Chute, Keeper Flange
11	725-0157	Cable, Tie, 3/16 x .05 x 7.4	40	731-04912	Chute, Lower, 5.0 Diameter
12	726-04012	Nut, Push-on, .25 Diameter	41	736-0159	Washer.349 ID x .879 OD x .063
13	731-04705	Chute, Adapter 5" Diameter	42	741-0475	Bushing, Plastic, .380
14	732-0611	Spring, Extension, .38 OD x 3.6	43	784-5647	Bracket, Chute Crank
15	736-0174	Washer, Wave, .625 x.885 x.015	44	784-5580	Shoe, Slide
16	731-2635	Mount, Clean Out Tool	45	719-0319	Housing, Auger, RH Reduced
17	738-0143	Screw, Shoulder, .498 x .340, 3/8-16	46	719-0320	Housing, Auger, LH Reduced
18	738-0281	Screw, Shoulder, .625 x .170, 3/8-16	47	721-0179	Seal, Oil, .750 ID
19	738-04124	Pin, Shear, .25 x 1.50, Gr2	48	741-0662	Bearing, Flange, .75 ID x 1.00 OD x .59
20	741-0245	Bearing, Hex Flange x .75 ID	49	710-0642	Screw, Self-tapping, 1/4-20, 0.750
21	741-0309	Bearing, Ball, .75 ID x 1.85 OD	50	711-04286	Axle, Auger, 22"
22	756-0981A	Idler Pulley, Flat 2.75 OD		711-04285	Axle, Auger, 24"
23	790-00075	Housing, Bearing, 1.85 ID		711-04284	Axle, Auger, 26"
24	790-00080	Bracket, Auger Idler w/ Brake		711-04283	Axle, Auger, 28"
25	618-04170	Gearbox Assembly, Auger, 22"	51	714-0161	Key, Hi-pro 3/16 x 5/8
	618-04171	Gearbox Assembly, Auger, 24"	52	715-04021	Pin, Dowel, .25 OD x 1.2
	618-04172	Gearbox Assembly, Auger, 26"	53	717-04126	Shaft, Worm .75 OD
	618-04173	Gearbox Assembly, Auger, 28"	54	717-0528A	Gear, Worm 20T
26	684-04067	Housing Assembly, Auger 22"	55	718-04071	Collar, Thrust
	684-04069	Housing Assembly, Auger 24"	56	721-0325	Plug, 1/4 x .437
	684-04071	Housing Assembly, Auger 26"	57	721-0327	Seal, Oil, .75 x 1 x .131
	684-04073	Housing Assembly, Auger 28"	58	736-0351	Washer, Flat, .760 ID x 1.5 OD
27	684-04107	Spiral Assembly, LH	59	736-3084	Washer, Flat, .51 x 1.12
28	684-04108	Spiral Assembly, RH	60	741-0663	Bearing, Flange, .75 ID x 1.00 OD x .925
29	714-04040	Bow-Tie Cotter Pin	61	746-0897	Auger Clutch Cable, 44.75"
30	731-04870*	Spacer, 1.25 OD x .75 ID x 1.00	62	741-0661A	Bearing, Flange, .75 ID x 1.00 OD x .975
31	736-0188	Washer, Flat, .76 x 1.49 x .06	63	629-0071	Cord, Extension
32	738-04124	Shear Pin, .25 x 1.50, Gr2	64	710-0726	Bolt, Carriage, 5/16-18, 1.0 Gr1

- * None found between spirals on models with 22-inch auger housing.
- * One found between spirals on models with 24-inch auger housing.
- * Two found between spirals on models with 26-inch auger housing.
- * Three found between spirals on models with 28-inch auger housing.

NOTE: Snow thrower features and components vary by model. NOT all parts listed above and pictured on the previous page are standard equipment.

Styles C & D



Styles C & D

REF. NO.	PART NO.	DESCRIPTION	REF. NO.	PART NO.	DESCRIPTION
1	617-04026	Gear Assembly, 16/44T	33	748-0190	Spacer, .508 ID x .75 OD x .68
2	617-04025	Gear Assembly, 16/44T	34	756-0625	Roller, Cable
3	656-0012A	Disc Assembly, Friction Wheel, .375	35	784-5687A	Guide Bracket, Auger Cable
4	684-04066	Wheel Assembly, Friction, 4.9 OD	36	790-00072	Frame
5	684-04045	Support Bracket Ass'y, Friction Wheel	37	790-00096	Guide Bracket, Front, Auger Cable
6	684-04139	Shift Assembly, Rod	38	790-00054	Cover, Frame
7	710-0627	Screw, 5/16-24 x .750, Gr5	39	790-00055	Roller Bracket, Drive Cable
8	710-0788	Screw, 1/4-20 x 1.000	40	710-0191	Screw, 3/8-24 x 1.25, Gr8
9	710-1652	Screw, 1/4-20 x .625	41	710-0597	Screw, 1/4-20 x 1.00, Gr5
10	711-04246A	Hex Shaft, Drive, .75	42	710-0654A	Screw, Sems, 3/8-16 x 1.00
11	712-0711	Nut, Jam, 3/8-24, Gr2	43	710-1245B	Screw, 5/16-24 x .875, Gr8
12	714-0161	Key, Hi-pro 3/16 x 5/8	44	712-04064	Nut, Flange Lock, Nylon, 1/4-20, GrF
13	716-0231	Ring, E Type, .750	45	731-04792	Cover, Belt
14	716-0136	Ring, E-Type, .875	46	732-0710	Spring, Extension, .38 OD x 2.68
15	717-04129A	Pinion, 16T	47	736-0247	Washer, Flat, .406 x 1.25 x .157
16	717-04137A	Gear, 44T	48	736-0505	Washer, Flat, .34 x 1.50 x .150
17	790-00082	Idler, Bracket, Drive	49	741-0919	Bearing, Ball, 20 x 47 x 14
18	726-0221	Nut, Speed, .500	50	748-0234	Shoulder Spacer
19	732-0264	Extension Spring	51	748-04053	Pulley, Adapter, .75 Dia.
20	736-0242	Washer, Bell, .340 x .872 x .060	52	750-04230	Spacer, .777 OD x .260 ID x .550
21	736-04161	Washer, Flat, .75 x 1.00 x .060	53	750-04303	Spacer, .875 ID x 1.185 OD
22	736-0300	Washer, Flat, .406 x .875 x .059	54	754-04050	V-Belt, 1/2"
23	736-0105	Washer, Bell, .375 x .870 x .063	55	754-0456	V-Belt, 3/8"
24	736-0287	Washer, Flat, .793 x 1.24 x .060	56	756-04109	Pulley, Auger, 8.1 x .50
25	See Chart	Wheel Assembly, Complete	57	756-04113	Pulley, Half, 2.600 OD
26	731-04873	Spacer, 1.25 OD x .75 ID x 3.00	58	756-04114	Pulley, Half, 2.2 OD
	731-04877*	Spacer, 1.25 OD x .75 ID x 1.50	59	790-00062	Washer, Bearing, 2.12 OD x .255 ID
27	738-04095A	Axle, .75 x 22	60	790-00010	Plate, Friction, 12 Pt 4.60 Dia
28	738-0924	Screw, 1/4-28 x .375	61	790-00011	Plate, Friction, Extrs, 12 Pt 4.60 Dia
29	741-0563	Bearing, Ball, 17 x 40 x 12	62	710-0896	Screw, Self-tapping, 1/4-14 x 0.625
30	741-0245	Bearing, Hex Flange x .75 ID	63	618-04169	Bearing Assembly, Friction Wheel
31	746-0897	Cable, Auger, 44.75	64	718-04070	Hub, Friction Wheel
32	746-04086	Cable, Drive, 41.75	65	735-0243B	Friction Wheel Rubber, 4.875 OD

* Found on models with a 22-inch auger housing only.

Wheel Assembly Complete	Wheel Size	Rim Only	Tire Only	Air Valve
634-04144	13 x 4	634-04151	734-1732	734-0255
634-04143	13 x 5	634-04151	734-1527	734-0255
634-04142	15 x 5	634-04151	734-1859	734-0255
634-04141	16 x 4.8	634-04140	734-1530	734-0255

NOTE: Snow thrower features and components vary by model. NOT all parts listed above and pictured on the previous page are standard equipment.