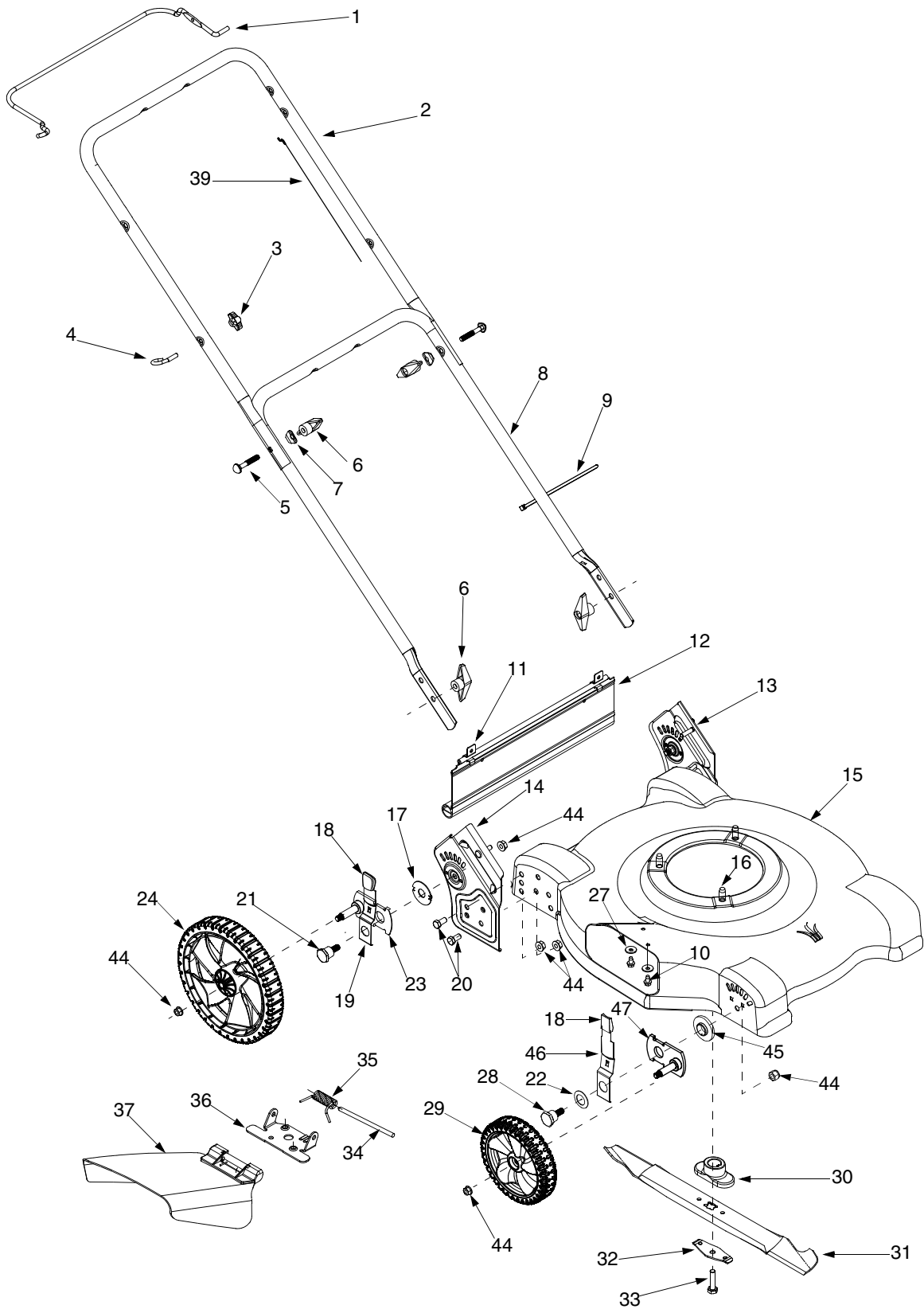


SECTION 8: PARTS LIST FOR SERIES 050



Series 050

Ref. No.	Part No.	Part Description	Ref. No.	Part No.	Part Description
1.	747-1161A	Blade Control Handle	22.	736-0741	Bell Washer.760 ID x 1.25 OD
2.	749-1092A	Upper Handle	23.	687-02080	Rear Pivot Arm Assembly - RH
3.	720-0279	Wing Nut		687-02079	Rear Pivot Arm Assembly - LH
4.	710-1205	Eye Bolt	24.	734-04082	Rear Wheel 12 x 1.8
5.	710-1174	Carriage Bolt 5/16-18 x 2.0	27.	736-0270	Bell Washer.265 ID x.75 OD
6.	720-0284	Wing Nut	28.	738-1172	Shoulder Screw
7.	736-0451	Shoulder Washer.320 ID x.93 OD	29.	734-1988	Front Wheel 7 x 1.8
8.	749-04037	Lower Handle	30.	748-0376C	Blade Adapter
9.	725-0157	Cable Tie	31.	742-0642A	Standard Blade 22"
10.	710-0599	TT Screw 1/4-20 x 0.5"	32.	736-0524B	Blade Bell Support
11.	17098	Hinge Clip	33.	710-1044	Hex Cap Screw 3/8-24 x 1.5
12.	731-2537	Trail Shield	34.	747-0710	Hinge Pin
13.	682-3063A	Handle Bracket Assembly LH	35.	732-1014	Torsion Spring
14.	682-3062A	Handle Bracket Assembly RH	36.	17032A	Deflector Chute Adapter
15.	787-01097	22" Deck Assembly	37.	731-1034B	Hinged Chute Deflector (Includes 34, 35, & 36)
16.	710-0654A	TT Screw 3/8-16 x 1.0	39.	746-0957	Blade Control Cable - 37.25" Lg.
17.	741-0717	Thrust Bearing	44.	712-0431	Lock Nut 3/8-16
18.	720-0426	Height Adjuster Knob	45.	741-0751	Height Adjuster Bearing
19.	687-02052	Lever Assembly (includes Ref. #18)	46.	687-02051	Lever Assembly (includes Ref. # 18)
20.	710-0216	Hex Cap Screw 3/8-16 x.75	47.	687-02094	Pivot Arm
21.	738-1127	Shoulder Screw			