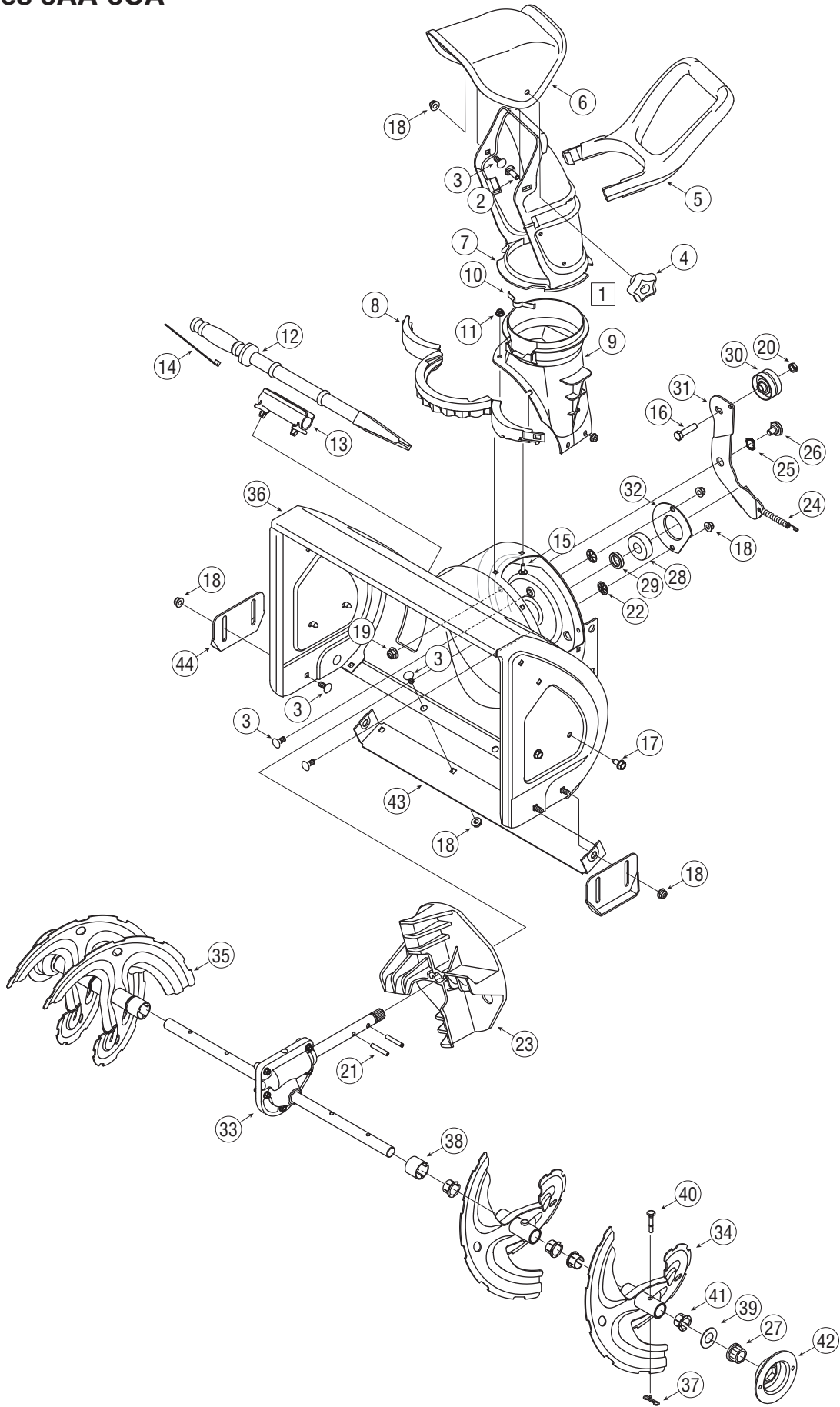


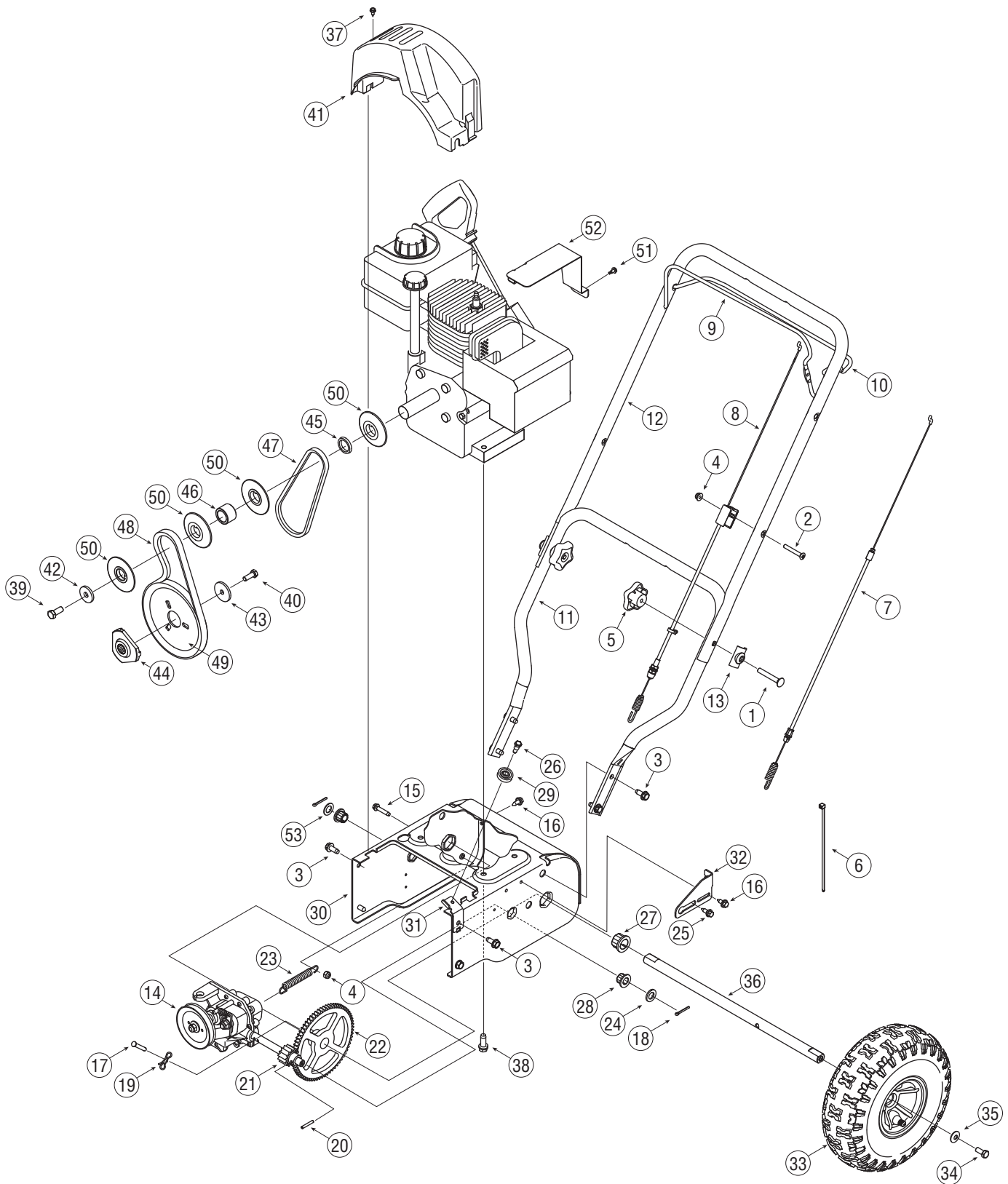
Model Series 3AA-3CA



Ref. No.	Part No.	Description	Qty.
1	684-04037	Chute Assembly	1
2	710-04071	Carriage Bolt 5/16-18 x 1	1
3	710-0451	Carriage Bolt 5/16-18	11
4	720-04072	Star Knob 5/16-18 (black)	1
	720-04071	Star Knob 5/16-18 (yellow)	1
5	731-04388A	Chute Handle	1
6	731-04426A	Upper Chute	1
7	731-04127	Lower Chute	1
8	731-04353	Chute Ring	1
9	731-2636A	Chute Adapter 5" Dia.	1
10	732-04111	Chute Adjustment Spring	1
11	712-04064	Flange Lock Nut 1/4-20	5
12	731-2643	Clean-out Tool	1
13	731-2635	Clean-out Tool Mount	1
14	725-0157	Cable Tie	1
15	710-0134	Carriage Screw 1/4-20 x .62	5
16	710-0520	Hex Bolt 3/8-16 x 1.50	1
17	710-0604A	AB Screw 5/16-18 x .625	4
18	712-04063	Flange Lock Nut 5/16-18	11
19	712-04065	Flange Lock Nut 3/8-16	1
20	712-0266	Hex Lock Nut 3/8-16	1
21	715-04020	Spiral Pin	2
22	726-04012	Push On Nut	2

Ref. No.	Part No.	Description	Qty.
23	731-04218B	Impeller	1
24	732-0611	Extension Spring	1
25	736-0174	Wave Washer	1
26	738-0281	Shoulder Screw 3/8-16	1
27	741-0245	Hex Flange Bearing	2
28	741-0309	Ball Bearing	1
29	750-04191	Spacer	1
30	756-04249	Flat Idler	1
31	784-0434	Auger Idler Bracket	1
32	790-00075	Bearing Housing	1
33	618-04292	Auger Gearbox Assembly	1
34	684-04113	Auger Assembly - LH	2
35	684-04114	Auger Assembly - RH	2
36	684-04166	Auger Housing 22"	1
37	714-04040	Bow Tie Cotter Pin 72	4
38	731-04870	Spacer 1.25 x .75 x 1.00	2
39	736-0351	Flat Washer	2
40	738-04124A	Shear Pin .25 x 1.50	4
41	741-0493A	Flange Bushing	8
42	790-00087A	Hex Bearing Housing	2
43	790-00117	Shave Plate	1
44	784-5580	Skid Shoe	2

Model Series 3AA-3CA



Ref. No.	Part No.	Description	Qty.
1	710-0449	Carriage Screw 5/16-18 x 2.25	2
2	710-0605	Mach. Screw 1/4-20 x 1.825	1
3	710-1260A	Screw 5/16-18 x .75	8
4	712-04064	Flange Lock Nut 1/4-20	2
5	720-04072	Star Knob 5/16-18	2
6	725-0157	Cable Tie	3
7	746-04256	Drive Cable	1
8	746-04236	Auger Cable	1
9	747-1161A	Auger Control	1
10	747-1214	Drive Control	1
11	749-04147	Lower Handle	1
12	749-1092A	Upper Handle	1
13	790-00053	Handle Tab	2
14	618-04296A	Transmission Assembly	1
15	710-0809	TT Screw 1/4-20 x 1.25	1
16	710-1652	Screw 1/4-20 x .625	3
17	711-1364	Clevis Pin	1
18	714-0115	Cotter Pin 1/8 x 1.0	2
19	714-04040	Bow Tie Cotter Pin 72	1
20	715-0249	Roll Pin	1
21	717-04066A	Pinion 14T	1
22	717-04073A	Gear 70T	1
23	732-0429A	Extension Spring	1
24	736-0192	Flat Washer	1
25	738-04184A	Shoulder Screw 1/4-20	1
26	738-0924A	Shoulder Screw 1/4-28	1
27	741-0245	Hex Flange Bearing	2

Ref. No.	Part No.	Description	Qty.
28	741-04108	Hex Flange Bearing	2
29	756-0625	Cable Roller	1
30	784-0419B	Drive Housing Frame	1
31	790-00223	Auger Cable Bracket	1
32	790-00224	Auger Cable Adj. Bracket	1
33	634-0232C	Wheel Assy Snow Hog Gray	2
34	710-0627	Lock Bolt 5/16-24 x .75	2
35	736-0242	Bell Washer .34 x .872 x .06	2
36	738-1231	Axle	1
37	710-0224	Hex Screw #10-16 x .500	1
38	710-0654A	TT Sems Screw 3/8-16 x 1.0	4
39	710-0696	Hex Bolt 3/8-24 x .875	1
40	710-1245B	Lock Bolt 5/16-24 x .875	1
41	731-04162A	Belt Cover	1
42	736-0247	Flat Washer .406 ID x 1.25 OD	1
43	736-0505	Flat Washer .34 ID x 1.50 OD	1
44	748-04067	Pulley: Adapter .75 Dia.	1
45	750-1355	Spacer .876 x 1.25 x .19	1
46	750-1356	Spacer .876 x 1.25 x .86	1
47	754-04013	V-Belt 3/8 x 21.108 Lg.	1
48	754-04014	V-Belt 3/8 x 26.680 Lg.	1
49	756-04024	Auger Pulley	1
50	756-0569	Pulley Half	4
51	710-0456	Screw #10-16 x .500	1
52	790-00064	Heat Shield	1
53	736-0160	Flat Washer .53 x .93 x .05	1