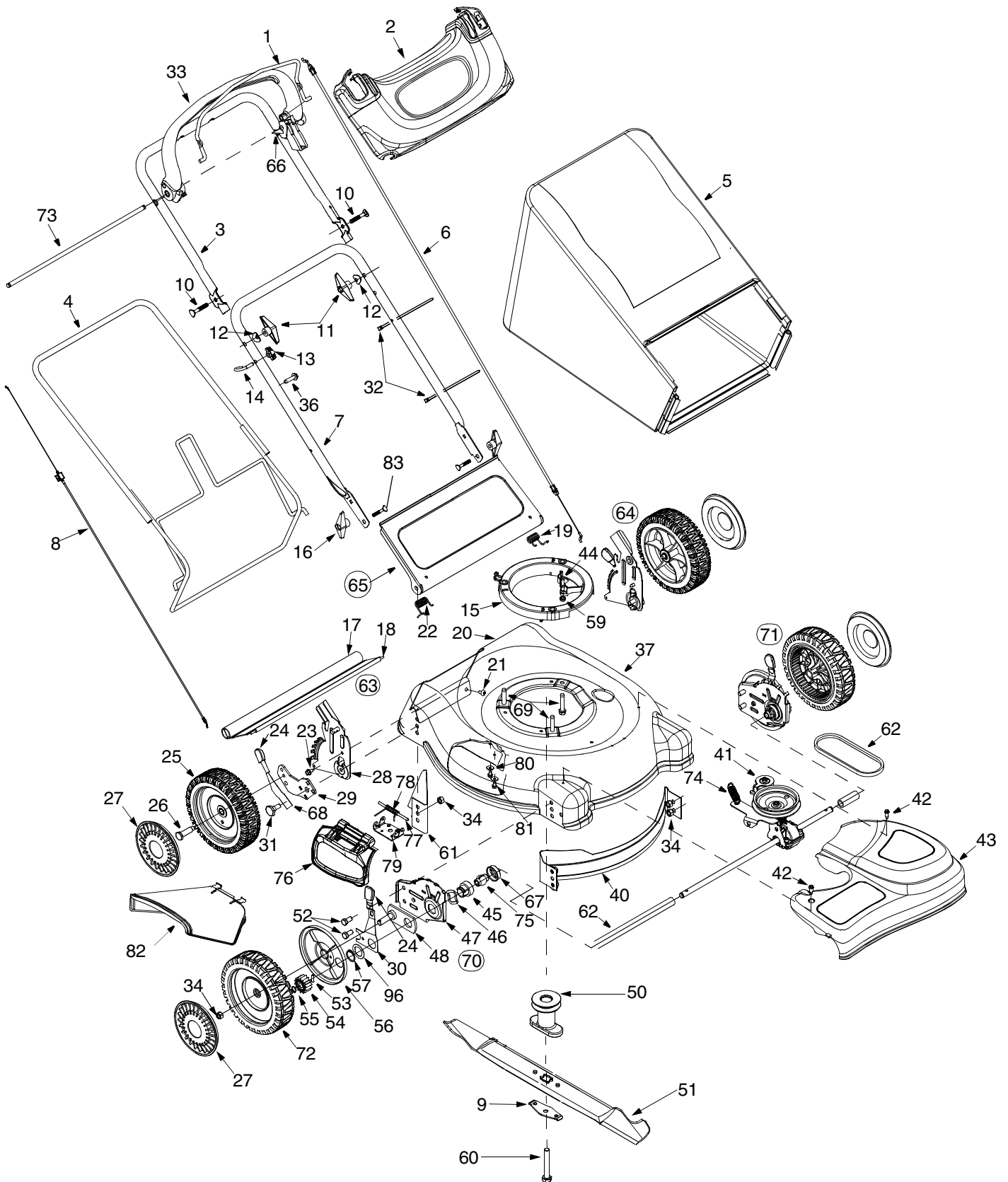


Model 465

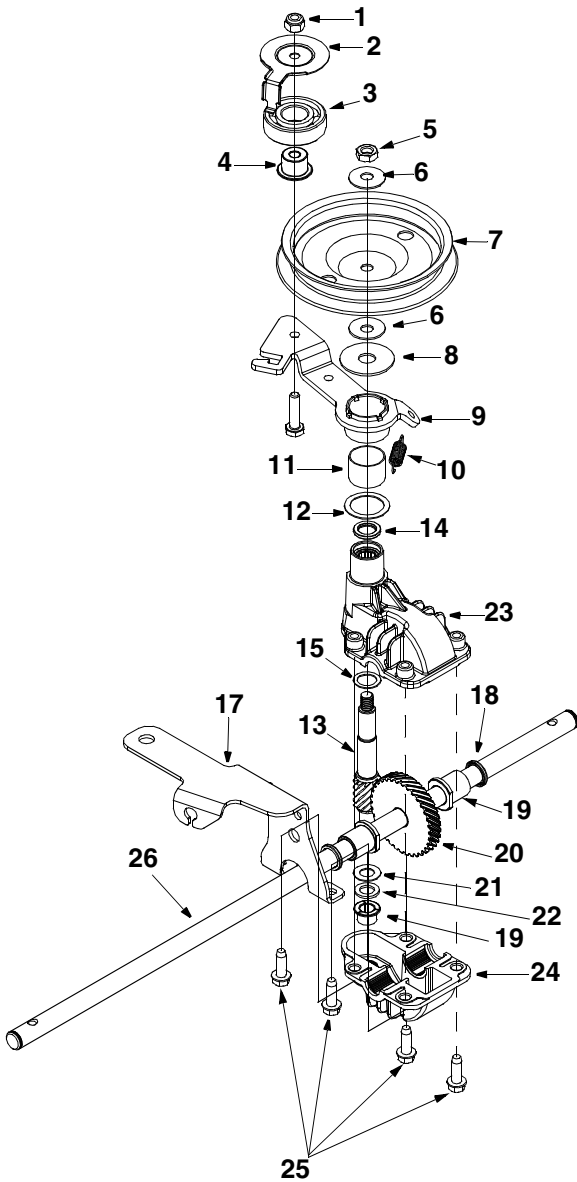


Model 465

Ref. No.	Part No.	Part Description	Ref. No.	Part No.	Part Description
1.	747-2133A	Bail Handle	43.	731-1937A	Front Drive Cover: Yellow
2.	731-2628	Handle Panel	44.	711-1293	Belt Keeper Pin
3.	749-1507	Upper Handle	45.	748-0355	Bearing Support
4.	747-04080	Grass Catcher Frame	46.	736-0447	Wave Washer
5.	664-04012	Grass Bag	47.	782-0511A	Height Adj. Plate LH†
6.	746-04039	Control Cable 56"		782-0512B	Height Adj. Plate RH
7.	749-0907B	Lower Handle	48.	687-02044	Pivot Plate Assembly
8.	746-1250	Drive Cable	49.	756-1146A	Drive Pulley
9.	736-0524A	Blade Bell Support	50.	748-04015	Blade Adapter
10.	710-1174	Carriage Bolt	51.	742-0741	Mulching Blade w/ Star: 21"
11.	720-0284	Handle Knob	52.	710-0216	Hex Screw 3/8-16
12.	736-0451	Saddle Washer	53.	715-0221	Dowel Pin
13.	720-0279	Wing Nut	54.	717-1762	Gear 14T RH
14.	710-1205	Rope Guide		717-1761	Gear 14T LH †
15.	631-0075B	Engine Spacer Assembly	55.	716-0865	Snap Ring
16.	712-0397	Wing Nut	56.	782-7551	Wheel Dust Cap
17.	731-1236	Rear Trail Shield	57.	716-0102	Snap Ring
18.	732-0700	Wire: Trail Shield	58.	736-0474	Washer DD 1.5" O.D.
19.	732-04071	Torsion Spring LH	59.	712-0271	Hex Nut 1/4-20
20.	782-5003	Rear Baffle LH	60.	710-1257	Hex Bolt
21.	710-1017	Scr. AB 1/4-14 x 0.625"	61.	782-5004A	Rear Baffle RH
22.	732-04072	Torsion Spring RH	62.	750-1166	Slev. Spacer LH †
23.	710-0896	Hex Scr. w/ Wash. 1/4-14 x 0.62"		750-1165	Slev. Spacer RH
24.	720-0426	Knob	63.	682-0516A	Handle Brkt Assembly RH Comp.
25.	734-2005A	Rear Wheel	64.	682-0515A	Handle Brkt Assembly LH Comp.
26.	738-0102	Shoulder Screw	65.	731-04134	RD Chute Door Ass'y
27.	731-1426	Hubcap: Radial Spoke Yellow	66.	731-2634	Bail Stop
28.	687-02037	Handle Bracket Assembly LH †	67.	732-0708	Bearing Retainer
	687-02036	Handle Bracket Assembly RH	68.	732-0417A	Spring Lever
29.	14766	Pivot Bar LH†	69.	710-1008	TT Screw
	14765	Pivot Bar RH	70.	682-0512A	Height Adj. Assembly RH Comp.
30.	732-0706	Front Lever RH	71.	682-0511A	Height Adj. Assembly LH Comp.
	732-0707	Front Lever LH†	72.	734-2042	Front Wheel, 8x212 x 1.75
31.	738-0507B	Shoulder Screw	73.	747-2132A	Control Rod
32.	726-0240	Cable Tie	74.	732-04001	Extension Spring
33.	731-2629	Drive Handle	75.	741-0604A	Bearing Sleeve.50 I.D.
34.	712-0431	Hex Nut 3/8-16	76.	687-02055	Side Mulch Plug Ass'y Complete
35.	736-0356	Flat Washer	77.	747-0710	Hinge Pin
36.	710-0817	TT-Scr. 5/16-18	78.	732-1014	Torsion Spring
37.	782-0082A	Rear Discharge Deck: 21"	79.	17032A	Mounting Brkt.
38.	754-0465	V-Belt	80.	736-0270	Bell Wash. 0.265" x 0.75"
40.	782-5002	Front Baffle	81.	710-0599	TT-Screw 1/4-20 x.05"
41.	618-04006	Transmission Assembly Comp.	82.	731-04177	Side Chute Deflector
42.	710-1650	Shld. Screw	83.	710-0703	Carriage Bolt 1/4-20 x .75" Lg.

† Not Shown

Model 465



Ref No.	Part No.	Description
1.	712-0896	L-Nut 1/4-28
2.	782-7598	Belt Keeper
3.	741-0124	Ball Bearing
4.	750-1050	Flange Bearing
5.	712-3025	Hex Jam Nut 5/16-24
6.	736-0425	Bell Washer.325 x.930 x.45
7.	656-0047	Pulley, 3.82 x.313 x.68
8.	736-0406	Flat Washer.422 x 1.38 x.060
9.	682-0028	Idler Bracket Pulley
10.	732-04001	Extension Spring
11.	741-0682A	Bearing Sleeve
12.	736-0570	Fl-Wash.865 x 1.145 x.030
13.	711-1492	Pinion Shaft 10T
14.	741-0699	Needle Bearing.438 x.625 x.500
15.	736-0520	Fl-Wash.504 x.700 x.030
16.	717-1492	Pinion Shaft
17.	682-0030	Cable Idler Brkt.
18.	721-0329	Oil Seal.500 x.687 x.094
19.	741-0673	Flange Bearing
20.	611-0105	Output Shaft
21.	736-0314	Thrust Washer.375 x.070 x.030
22.	736-0569	Thrust Washer.388 x.625 x.062
23.	618-0300A	Upper Housing
24.	618-0299A	Lower Housing
25.	710-1276	Hex Screw w/Washer 1/4-20 x.750
26.	618-04006	Transmission Assembly Comp.