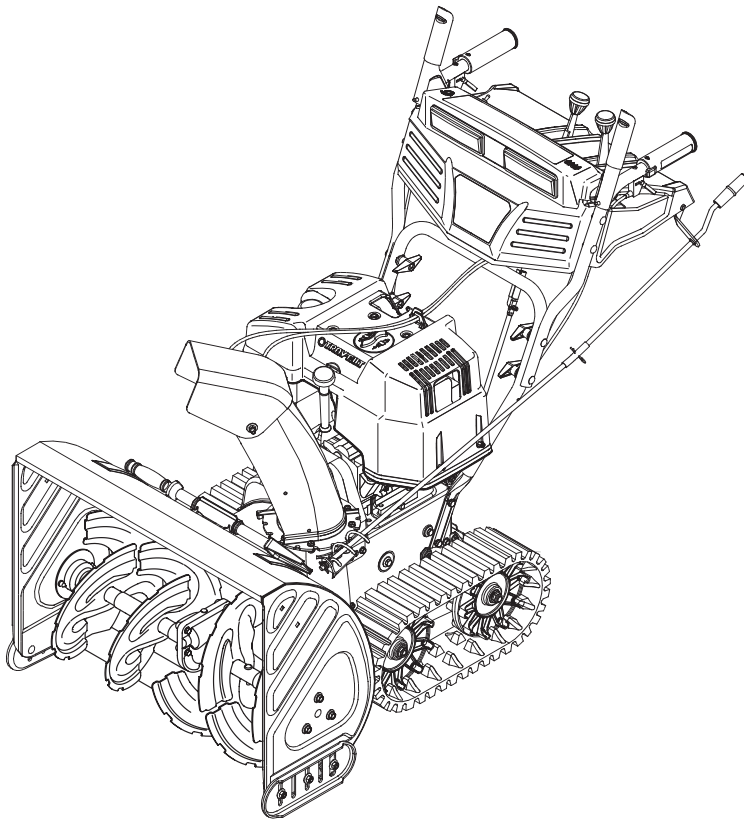




Operator's Manual



Model 1028 Shown

SNOW THROWER

Storm Tracker Models:

1028

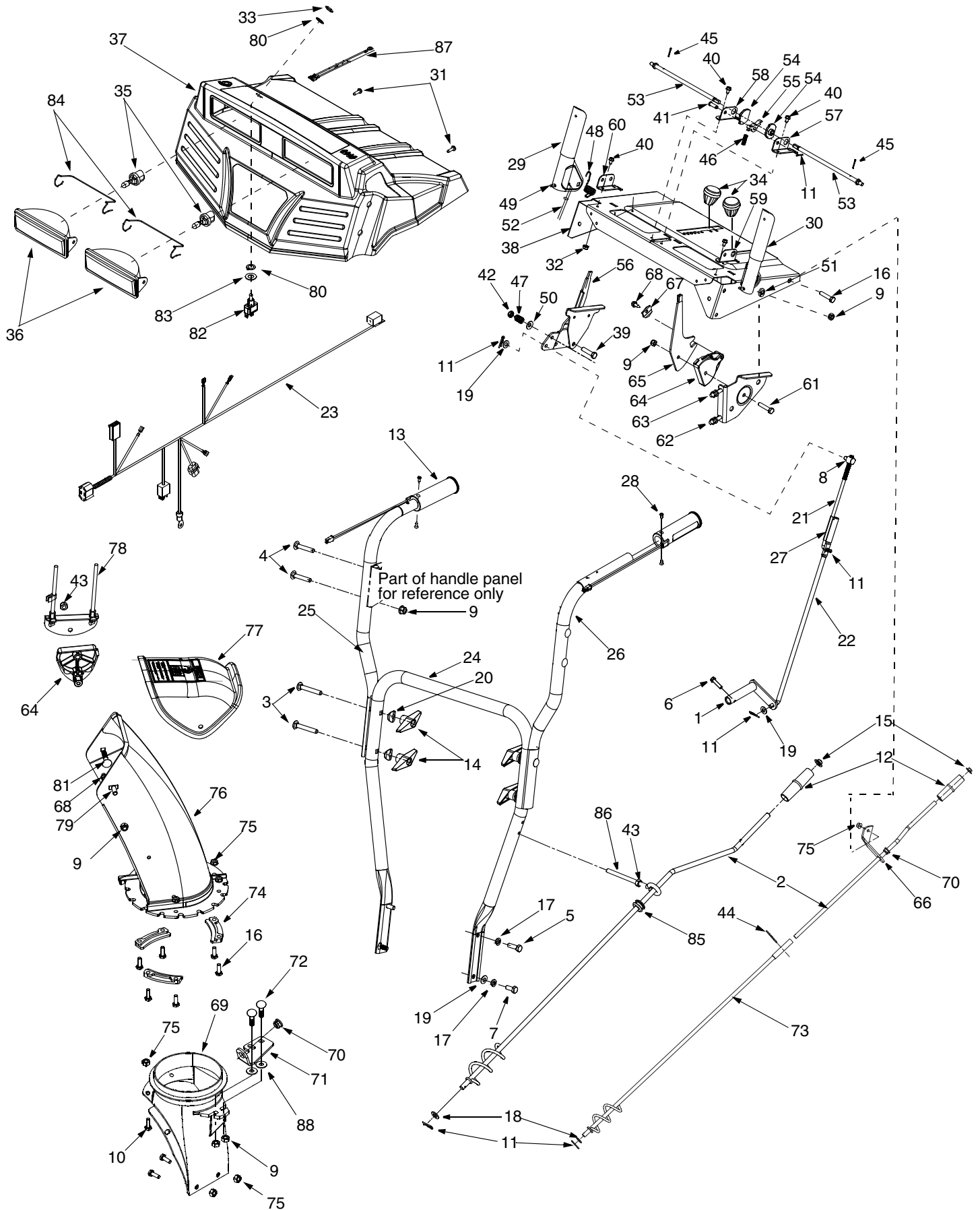
1130

IMPORTANT: READ SAFETY RULES AND INSTRUCTIONS CAREFULLY

WARNING: This unit is equipped with an internal combustion engine and should not be used on or near any unimproved forest-covered, brush-covered or grass-covered land unless the engine's exhaust system is equipped with a spark arrester meeting applicable local or state laws (if any). If a spark arrester is used, it should be maintained in effective working order by the operator. In the State of California the above is required by law (Section 4442 of the California Public Resources Code). Other states may have similar laws. Federal laws apply on federal lands. A spark arrester for the muffler is available through your nearest engine authorized service dealer or contact the service department, P.O. Box 361131 Cleveland, Ohio 44136-0019.

TROY-BILT LLC, P.O. BOX 361131 CLEVELAND, OHIO 44136-0019

SECTION 8: PARTS LIST FOR MODELS 1028 & 1130



Models 1028 & 1130

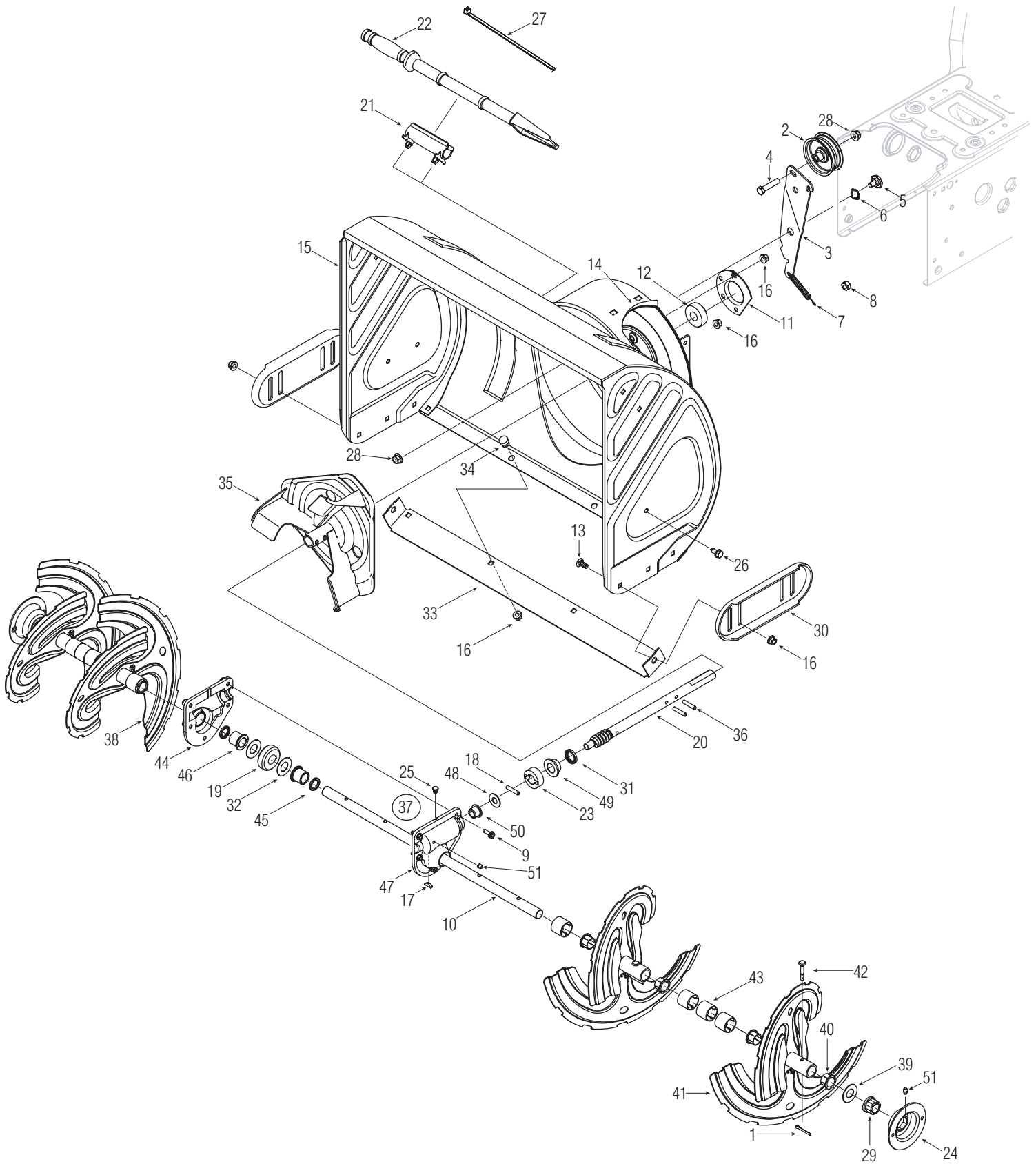
| Ref. No. | Part No. | Part Description | Ref. No. | Part No. | Part Description |
|----------|------------|--------------------------------|----------|------------|-----------------------------------|
| 1. | 684-0008A | Shift Arm Assembly | 44. | 714-0145† | Click Pin |
| 2. | 747-0737† | Chute Directional Control | 45. | 714-0507 | Cotter Pin |
| | 705-5204A* | Chute Directional Control | 46. | 732-0145 | Compression Spring |
| 3. | 710-0449 | Carriage Screw, 5/16-18 x 2.25 | 47. | 732-0193 | Compression Spring |
| 4. | 710-0458 | Carriage Bolt, 5/16-18 x 1.75 | 48. | 732-0746 | Torsion Spring |
| 5. | 710-0643 | Hex Bolt, 5/16-18 x 1.0 | 49. | 735-0199A | Rubber Bumper |
| 6. | 710-0788 | Screw, 1/4-20 x 1.0 | 50. | 736-0105 | Bell Washer |
| 7. | 710-1880 | Hex Bolt, 5/16-18 x 0.75 | 51. | 736-0509 | Flat Washer |
| 8. | 711-0677 | Ferrule | 52. | 746-0778 | Z- Fitting, Drive Cable |
| 9. | 712-04063 | Flange Lock Nut | 53. | 747-0877 | Cam Rod |
| 10. | 710-0703 | Carriage Screw, 1/4-20 x.75 | 54. | 748-0362 | Handle Lock Cam |
| 11. | 714-0104 | Hairpin Clip | 55. | 748-0363 | Handle Lock Pawl |
| 12. | 720-0201A | Chute Directional Control Knob | 56. | 784-5619A | Shift Handle |
| 13. | 725-1757† | Heated Grip | 57. | 784-5679 | Handle Support Bracket LH |
| | 720-0274* | Grip | 58. | 784-5680 | Handle Support Bracket RH |
| 14. | 720-0284 | Handle Knob Assembly | 59. | 784-5681 | Support Bracket LH |
| 15. | 726-0100 | Push Cap | 60. | 784-5682 | Support Bracket RH |
| 16. | 710-0597 | Hex Screw, 1/4-20 x 1.00 | 61. | 710-0805 | Hex Bolt, 5/16-18 x 1.5 |
| 17. | 736-0119 | Lock Washer | 62. | 746-0901 | Chute Deflector Cable w/Clip |
| 18. | 736-0185 | Flat Washer | 63. | 746-0896 | Chute Deflector Control Cable |
| 19. | 736-0275 | Flat Washer | 64. | 731-1313C | Chute Cable Guide |
| 20. | 736-0451 | Saddle Washer | 65. | 784-5604 | Chute Distance Control |
| 21. | 747-0620A | Upper Shift Rod | 66. | 705-5266† | Chute Directional Control Bracket |
| 22. | 747-0621 | Lower Shift Rod | 67. | 736-0506A | Special Washer |
| 23. | 629-04007† | Heated Grips Harness Ass'y | 68. | 710-0895 | Hi-Lo Screw, 1/4-15 x 0.75 |
| 24. | 749-0951 | Lower Handle | 69. | 731-1379C | Chute Adapter |
| 25. | 749-0952A | Upper Handle RH | 70. | 741-0475 | Plastic Bushing |
| 26. | 749-0953A | Upper Handle LH | 71. | 784-5647 | Chute Directional Control Bracket |
| 27. | 750-0963 | Shift Rod Connector | 72. | 710-0451 | Carriage Bolt, 5/16-18 x 0.75 |
| 28. | 710-0837 | Screw, #10-16 x.625 | 73. | 684-0053B† | Lower Chute Directional Control |
| 29. | 684-0036A | Handle Engagement Assembly RH | 74. | 731-0851A | Flange Keeper |
| 30. | 684-0037B | Handle Engagement Assembly LH | 75. | 712-04064 | Flange Lock Nut, 1/4-20 |
| 31. | 710-1003 | Screw, #10-16 x 0.625 | 76. | 731-1300C | Lower Chute |
| 32. | 712-0271 | Hex Sems Nut, 1/4-20 | 77. | 731-04427A | Upper Chute |
| 33. | 712-0693† | Jam Nut, 15/32-32 | 78. | 784-5594 | Cable Bracket |
| 34. | 720-0232 | Shift Knob | 79. | 710-04071 | Carriage Bolt, 5/16-18 x 1.0 |
| 35. | 725-1759†† | Halogen Lamp, 50W, 12V | 80. | 716-0398† | Toggle Switch Lock Ring |
| 36. | 725-1672†† | Lamp Housing | 81. | 710-0262 | Carriage Bolt, 5/16-18 x 1.5 |
| 37. | 731-04068† | Handle Panel | 82. | 725-1756† | Single Throw Toggle Switch |
| | 731-04067* | Handle Panel | 83. | 736-0226† | Flat Washer |
| 38. | 684-0102 | Handle Panel Assembly w/Tilt | 84. | 747-1136†† | Headlight Retainer |
| 39. | 710-0459A | Hex Bolt, 3/8-24 x 1.5 | 85. | 735-0234* | Rubber Grommet |
| 40. | 710-0599 | Screw, 1/4-20 x 0.5 | 86. | 747-0697* | Eye Bolt |
| 41. | 711-0653 | Clevis Pin | 87. | 629-0059* | Light Harness |
| 42. | 712-0116 | Jam Lock Nut, 3/8-24 | 88. | 736-0159 | Flat Washer, .349 x .879 x .063 |
| 43. | 712-3010 | Hex Nut, 5/16-18 | | | |

† Model 1028

* Model 1130

†† Model 1130 equipped with one (1)

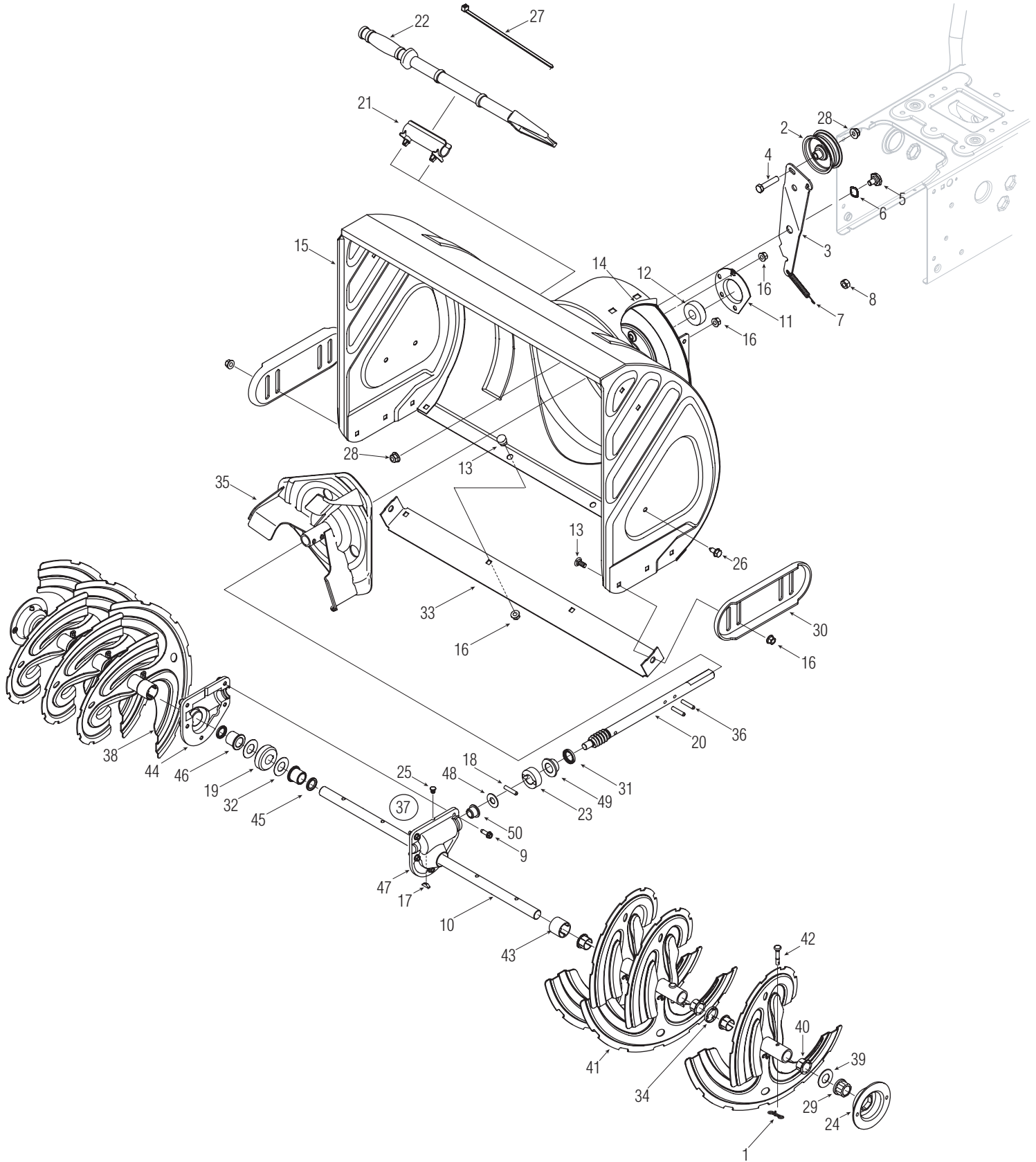
Model 1028



Model 1028

| Ref. No. | Part No. | Part Description | Ref. No. | Part No. | Part Description |
|----------|------------|---------------------------------|----------|-----------|----------------------------------|
| 1. | 714-0507 | Cotter Pin | 27. | 725-0157 | Cable Tie |
| 2. | 756-0178 | Flat Idler | 28. | 712-04065 | Flange Lock Nut, 3/8-16 |
| 3. | 784-5632B | Auger Idler Arm | 29. | 741-0245 | Hex Flange Bearing |
| 4. | 710-0347 | Hex Cap Screw, 3/8-16 x 1.75 | 30. | 790-00091 | Skid Shoe |
| 5. | 738-0281 | Shoulder Screw | 31. | 721-0327 | Grease Seal |
| 6. | 736-0174 | Wave Washer | 32. | 736-0351 | Flat Washer,.76 x 1.5 x.030 |
| 7. | 732-0611 | Extension Spring | 33. | 790-00118 | Shave Plate, 28" |
| 8. | 712-3068 | Hex Nut 5/16-18 | 34. | 710-0451 | Carriage Bolt 5/16-18 x 1.00 |
| 9. | 710-0642 | Self Tapping Screw, 1/4-20 x.75 | 35. | 684-0065 | Impeller Assembly |
| 10. | 711-04283 | Auger Axle, 28" | 36. | 715-0114 | Pin |
| 11. | 05931A | Housing | 37. | 618-04206 | Gear Assembly Complete, 28" |
| 12. | 741-0309 | Ball Bearing | 38. | 684-04108 | Spiral Assembly – RH |
| 13. | 710-0451 | Carriage Bolt, 5/16-18 x.75 | 39. | 736-0188 | Flat Washer |
| 14. | 705-5226 | Chute Reinforcement | 40. | 741-0493A | Flange Bushing |
| 15. | 684-04132A | Auger Housing Assembly, 28" | 41. | 684-04107 | Spiral Assembly – LH |
| 16. | 712-04063 | Flange Lock Nut 5/16-18 | 42. | 738-04124 | Shear Pin,.25 x 1.50 |
| 17. | 714-0161 | Hi-Pro Key, 3/16 x 5/8 | 43. | 731-04870 | Spacer, 1.25OD x.75ID x 1.00 Lg. |
| 18. | 715-04021 | Dowel Pin | 44. | 618-0123 | RH Housing (Incl ref. 45 & 46) |
| 19. | 717-0528A | Worm Gear, 20-tooth | 45. | 721-0179 | Oil Seal |
| 20. | 717-0526 | Worm Shaft | 46. | 741-0661A | Flange Bearing |
| 21. | 731-2635 | Clean-Out Tool Mount | 47. | 618-0124 | LH Housing (Incl ref. 45 & 46) |
| 22. | 731-2643 | Clean-Out Tool | 48. | 736-3084 | Flat Washer,.51 x 1.12 x.06 |
| 23. | 718-04071 | Thrust Collar | 49. | 741-0662 | Flange Bearing,.75 x 1.0 x.59 |
| 24. | 790-00087 | Bearing Housing | 50. | 741-0663 | Flange Bearing,.503 ID x.75 OD |
| 25. | 721-0325 | Grease Plug | 51. | 737-3000 | Lube Fitting, 3/16 Drive |
| 26. | 710-0604A | Hex Screw, 5/16-12 | | | |

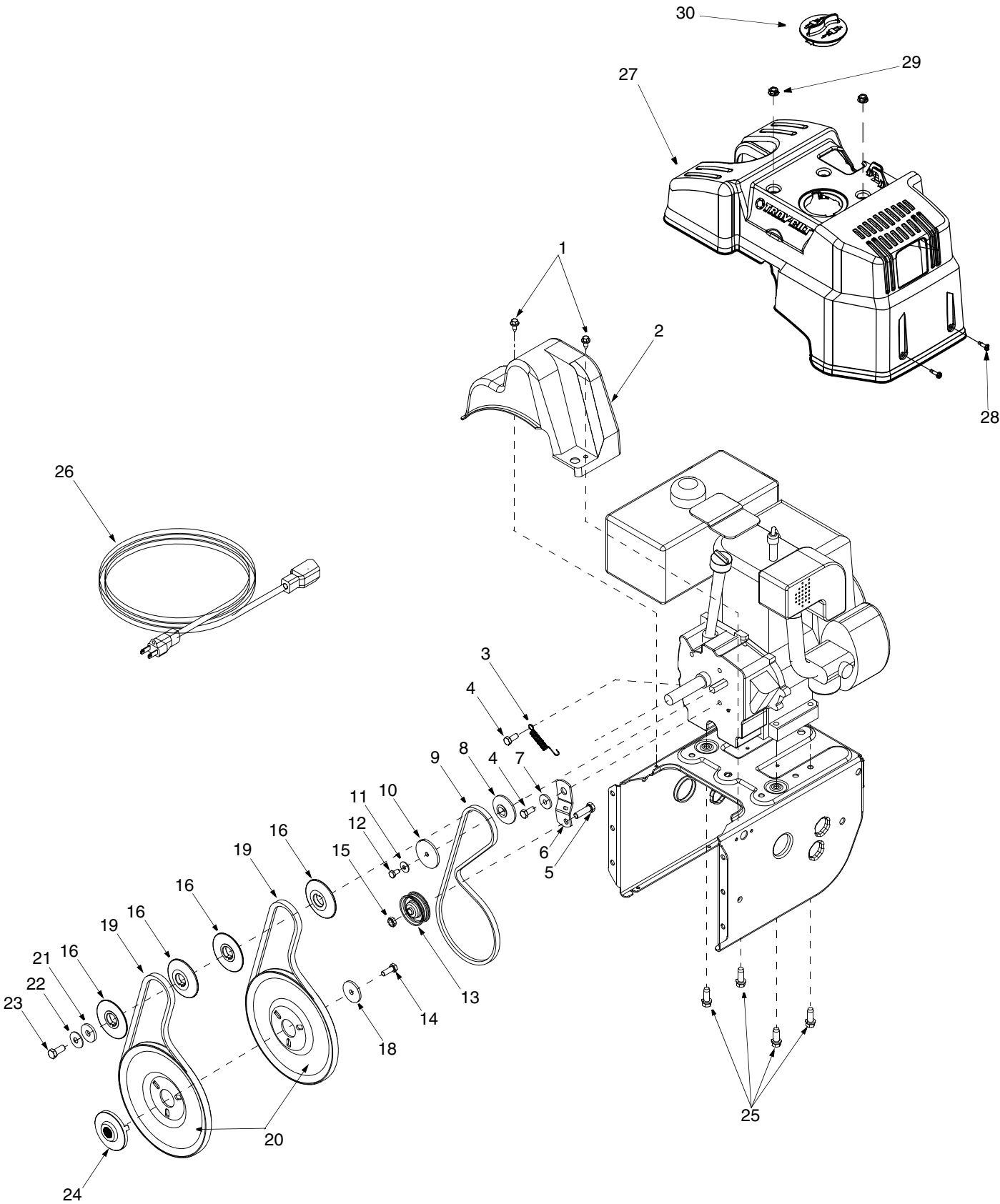
Model 1130



Model 1130

| Ref. No. | Part No. | Part Description | Ref. No. | Part No. | Part Description |
|----------|------------|---------------------------------|----------|------------|----------------------------------|
| 1. | 714-0507 | Cotter Pin | 27. | 725-0157 | Cable Tie |
| 2. | 756-0178 | Flat Idler | 28. | 712-04065 | Flange Lock Nut, 3/8-16 |
| 3. | 784-5632B | Auger Idler Arm | 29. | 741-0245 | Hex Flange Bearing |
| 4. | 710-0347 | Hex Cap Screw, 3/8-16 x 1.75 | 30. | 790-00091 | Skid Shoe |
| 5. | 738-0281 | Shoulder Screw | 31. | 721-0327 | Grease Seal |
| 6. | 736-0174 | Wave Washer | 32. | 736-0351 | Flat Washer,.76 x 1.5 x.030 |
| 7. | 732-0611 | Extension Spring | 33. | 790-00119 | Shave Plate, 30" |
| 8. | 712-3068 | Hex Nut 5/16-18 | 34. | 710-0451 | Carriage Bolt, 5/16-18 x 1.00 |
| 9. | 710-0642 | Self Tapping Screw, 1/4-20 x.75 | 35. | 684-0065 | Impeller Assembly |
| 10. | 711-04282 | Auger Axle, 30" | 36. | 715-0114 | Pin |
| 11. | 05931A | Housing | 37. | 618-04234 | Gear Assembly Complete, 30" |
| 12. | 741-0309 | Ball Bearing | 38. | 684-04108 | Spiral Assembly - RH |
| 13. | 710-0451 | Carriage Bolt, 5/16-18 x.75 | 39. | 736-0188 | Flat Washer |
| 14. | 705-5226 | Chute Reinforcement | 40. | 741-0493A | Flange Bushing |
| 15. | 684-04137 | Auger Housing Assembly, 30" | 41. | 684-04107 | Spiral Assembly - LH |
| 16. | 712-04063 | Flange Lock Nut, 5/16-18 | 42. | 738-04124A | Shear Pin, .25 x 1.50 |
| 17. | 714-0161 | Hi-Pro Key, 3/16 x 5/8 | 43. | 731-04870 | Spacer, 1.25OD x.75ID x 1.00 Lg. |
| 18. | 715-04021 | Dowel Pin | 44. | 618-0123 | RH Housing (Incl ref. 45 & 46) |
| 19. | 717-0528A | Worm Gear, 20-tooth | 45. | 721-0179 | Oil Seal |
| 20. | 717-0526 | Worm Shaft | 46. | 741-0661A | Flange Bearing – RH Housing |
| 21. | 731-2635 | Clean-Out Tool Mount | | 741-0339 | Flange Bearing – LH Housing |
| 22. | 731-2643 | Clean-Out Tool | 47. | 618-0418 | LH Housing (Incl ref. 45 & 46) |
| 23. | 718-04071 | Thrust Collar | 48. | 736-3084 | Flat Washer,.51 x 1.12 x.06 |
| 24. | 790-00138A | Bearing Housing w/ Hole | 49. | 741-0662 | Flange Bearing,.75 x 1.0 x.59 |
| 25. | 721-0325 | Grease Plug | 50. | 741-0663 | Flange Bearing,.503 ID x.75 OD |
| 26. | 710-0604A | Hex Screw, 5/16-12 | 51. | 731-04871 | Spacer, 1.25OD x.75ID x 3/16 Lg. |

Models 1028 & 1130

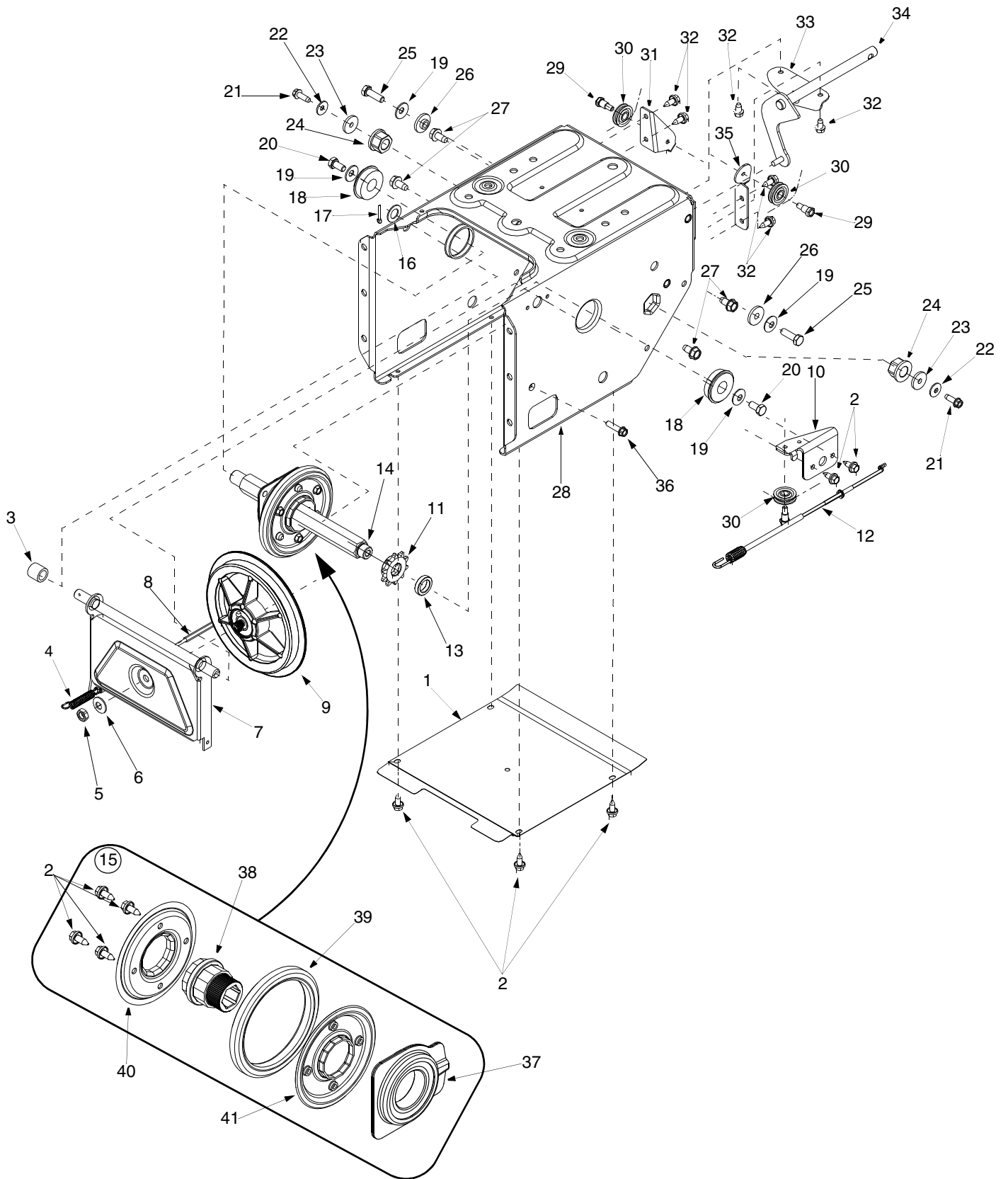


Models 1028 & 1130

| Ref. No. | Part No. | Part Description |
|----------|------------|--------------------------------|
| 1. | 710-1652 | Hex Washer Screw, 1/4-20 x.625 |
| 2. | 731-1324 | Belt Cover |
| 3. | 732-0710 | Extension Spring |
| 4. | 710-0627 | Hex Screw, 5/16-24 x.75 |
| 5. | 710-3005 | Hex Cap Screw, 3/8-16 x 1.25 |
| 6. | 05896A | Drive Clutch Idler Bracket |
| 7. | 748-0234 | Shoulder Spacer |
| 8. | 756-0987 | Pulley Half |
| 9. | 754-0346 | V-Belt |
| 10. | 756-0986 | Pulley Half |
| 11. | 736-0270 | Bell Washer |
| 12. | 710-0230 | Hex Cap Screw, 1/4-28 x.50 |
| 13. | 756-0313 | Flat Idler |
| 14. | 710-1245B | Lock Hex Cap Screw, 5/16-24 |
| 15. | 712-0181 | Lock Jam Nut, 3/8-16 |
| 16. | 756-0569 | Pulley Half |
| 18. | 736-0505 | Flat Washer |
| 19. | 754-0430B | Belt |
| 20. | 756-0967 | Auger Pulley |
| 21. | 736-0247 | Flat Washer, 3/8 x 1.25 OD |
| 22. | 736-0331 | Bell Washer |
| 23. | 710-0696 | Hex Cap Screw, 3/8-24 |
| 24. | 748-0360 | Adapter Pulley |
| 25. | 710-0654A | Hex Screw, 3/8-16 x 1.0 |
| 26. | 629-0071 | Extension Cord |
| 27. | 731-04049B | Engine Shroud |
| 28. | 710-04082 | Screw, #10-16 x.75 |
| 29. | 712-3004A | Flange Lock Nut, 5/16-18 |
| 30. | 684-04011 | Spark Plug Cap |

IMPORTANT: For a proper working machine, use Factory Approved Parts.
V-BELTS are specially designed to engage and disengage safely. A substitute (non OEM) V-Belt can be dangerous by not disengaging completely

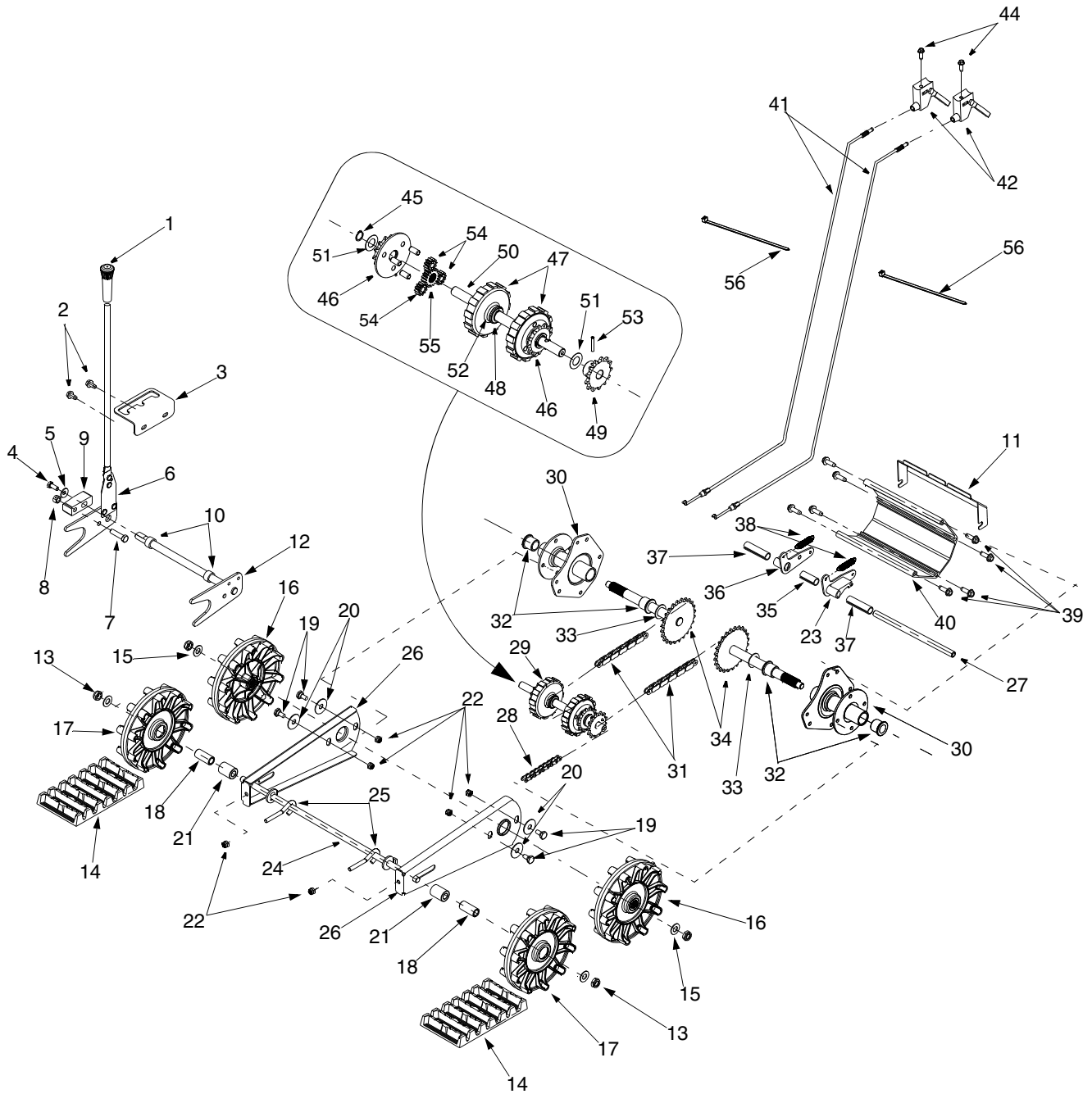
Models 1028 & 1130



Models 1028 & 1130

| Ref. No. | Part No. | Part Description | Ref. No. | Part No. | Part Description |
|----------|-----------|------------------------------|----------|-----------|----------------------------|
| 1. | 784-5648 | Frame Cover | 22. | 736-0270 | Bell Washer.265 ID x.75 OD |
| 2. | 710-1652 | Tap Screw 1/4-20 x.625 | 23. | 736-0176 | Flat Washer 1/4 ID x.93 OD |
| 3. | 748-0190 | Spacer.508 ID x.75 OD | 24. | 741-1111 | Hex Flange Bearing |
| 4. | 732-0264 | Extension Spring | 25. | 710-0643 | Hex Cap Screw 5/16-18 x 1" |
| 5. | 712-0711 | Jam Nut 3/8-24 | 26. | 748-0234 | Shoulder Spacer |
| 6. | 736-0105 | Bell Washer.401 ID x.87 OD | 27. | 710-0604A | Tap Screw 5/16-12 x.6250 |
| 7. | 684-0021 | Friction Whl Support Bracket | 28. | 684-0031 | Frame Assembly |
| 8. | 746-0898B | Drive Cable 39.88" | 29. | 738-0924 | Hex Screw 1/4-28 x.375 |
| 9. | 656-0012A | Friction Disc | 30. | 756-0625 | Cable Roller |
| 10. | 784-5689A | Front Support Guide Bracket | 31. | 784-5688 | Drive Cable Guide Bracket |
| 11. | 713-0413 | 10T Sprocket | 32. | 710-0599 | Tap Screw 1/4-20 x.5 |
| 12. | 746-0897 | Auger Cable 44.75" | 33. | 784-5590 | Shift Frame Bracket |
| 13. | 750-0997 | Spacer.675 ID x 1" OD | 34. | 684-0014B | Shift Rod Assembly |
| 14. | 711-1042 | Hex Track Shaft | 35. | 784-5687A | Auger Cable Guide Bracket |
| 15. | 684-0042C | Friction Wheel Assembly | 36. | 710-0809 | Tap Screw 1/4-20 x 1.250 |
| 16. | 736-0160 | Flat Washer.536 ID x.93 OD | 37. | 618-0063A | Friction Wheel Bearing |
| 17. | 714-0474 | Cotter Pin | 38. | 718-0301A | Friction Wheel Hub |
| 18. | 741-0563 | Ball Bearing | 39. | 735-0243B | Friction Wheel Rubber |
| 19. | 736-0242 | Bell Washer.34 ID x.872 OD | 40. | 790-00011 | Friction Plate |
| 20. | 710-0538 | Hex Cap Screw 5/16-18 x.625 | 41. | 790-00010 | Friction Plate |
| 21. | 710-0875 | Tap Screw 1/4-20 x.75 | | | |

Models 1028 & 1130



Models 1028 & 1130

| Ref. No. | Part No. | Part Description | Ref. No. | Part No. | Part Description |
|----------|-----------|------------------------------|----------|-----------|------------------------------|
| 1. | 720-0223 | Grip | 29. | 618-0169A | Track/Steering Shaft Ass'y |
| 2. | 710-0604A | Tap Screw, 5/16-12 x.625 | 30. | 683-0024 | Track Hub Ass'y |
| 3. | 784-5642 | Track Lockout Plate | 31. | 713-0437 | Chain |
| 4. | 710-0157 | Hex Cap Screw, 5/16-24 x.75 | 32. | 741-0339 | Flange Bearing |
| 5. | 736-0242 | Bell Washer,.34 ID x.872 OD | 33. | 736-0287 | Flat Washer,.793 x 1.24 x.06 |
| 6. | 684-0038 | Track Lock Handle Assembly | 34. | 611-0053 | Axle Assembly |
| 7. | 710-0459A | Hex Cap Screw, 3/8-24 x 1.5 | 35. | 750-0904 | Spacer,.514 x.630 x 1.59 |
| 8. | 712-0214 | Hex Nut, 3/8-24 | 36. | 618-0043 | RH Dogg Assembly |
| 9. | 748-0353A | Lift Shaft Drive | 37. | 750-0903 | Spacer,.514 x.630 x 2.44 |
| 10. | 750-0547 | Spacer,.628 ID x.875 OD x.5 | 38. | 732-0209 | Extension Spring |
| 11. | 784-5609 | Steering Cable Bracket | 39. | 710-0602 | Tap Screw, 5/16-18 x 1 |
| 12. | 684-0009 | Track Pivot Rod Assembly | 40. | 719-0295A | Track Housing |
| 13. | 712-0346 | Jam Nut, 1/2-20 | 41. | 746-0948A | Steering Cable |
| 14. | 731-1292 | Snow Track | 42. | 746-0950A | Steering Trigger |
| 15. | 736-0272 | Flat Washer,.5 x 1 x.06 | 44. | 710-1233 | Screw, #10-24 x 1.375 |
| 16. | 731-1538A | Track Drive Wheel | 45. | 716-0114 | Retaining Ring |
| 17. | 631-0032 | Track Idler Wheel | 46. | 618-0046B | Carrier Assembly |
| 18. | 750-0995 | Spacer,.51 ID x.75 OD x 1.67 | 47. | 717-1211B | Ring Gear |
| 19. | 738-0140 | Screw,.435 x.178-5/16 x.56 | 48. | 716-0115 | Retaining Ring |
| 20. | 736-0406 | Flat Washer,.442 x 1.38 x.06 | 49. | 713-0414 | 13-Tooth Sprocket |
| 21. | 750-0909 | Spacer,.51 ID x 1 OD x 1.34 | 50. | 711-0912 | Track Steering Drive Shaft |
| 22. | 712-04063 | Flange Lock Nut, 5/16-18 | 51. | 736-0502 | Flat Washer,.58 x 1.06 x.02 |
| 23. | 618-0044 | LH Dogg Assembly | 52. | 736-0336 | Flat Washer, 5/8 x 1 x.03 |
| 24. | 684-0024 | Idler Axle Assembly | 53. | 715-0120 | Spiral Pin, 3/16 x 1 |
| 25. | 710-1231 | Eye Bolt, 5/16-18 x 3 | 54. | 717-1209A | 12-Tooth Gear |
| 26. | 784-5639 | Track Side Plate | 55. | 717-1210A | 18-Tooth Gear |
| 27. | 711-0911 | Actuator Shaft | 56. | 725-0157 | Cable Tie |
| 28. | 713-0233 | Chain | | | |