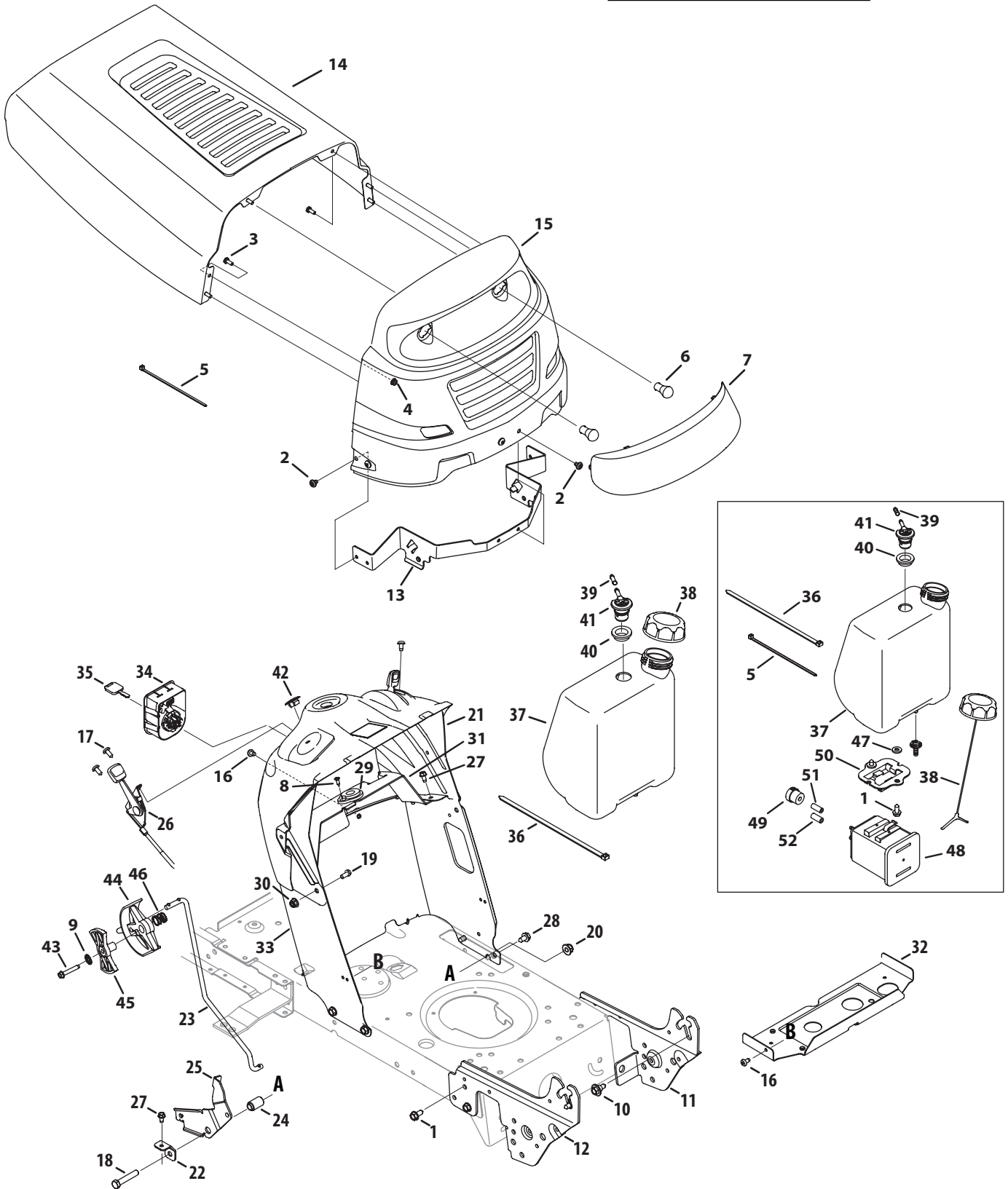


# 1 Style Hood

Attachments:  
 Bagger.....19A30003OEM  
 Bumper Kit.....OEM-190-679  
 Mulch Kit.....19A30006OEM  
 Snow Blade.....OEM-190-833  
 Snow Thrower.OEM-190-032

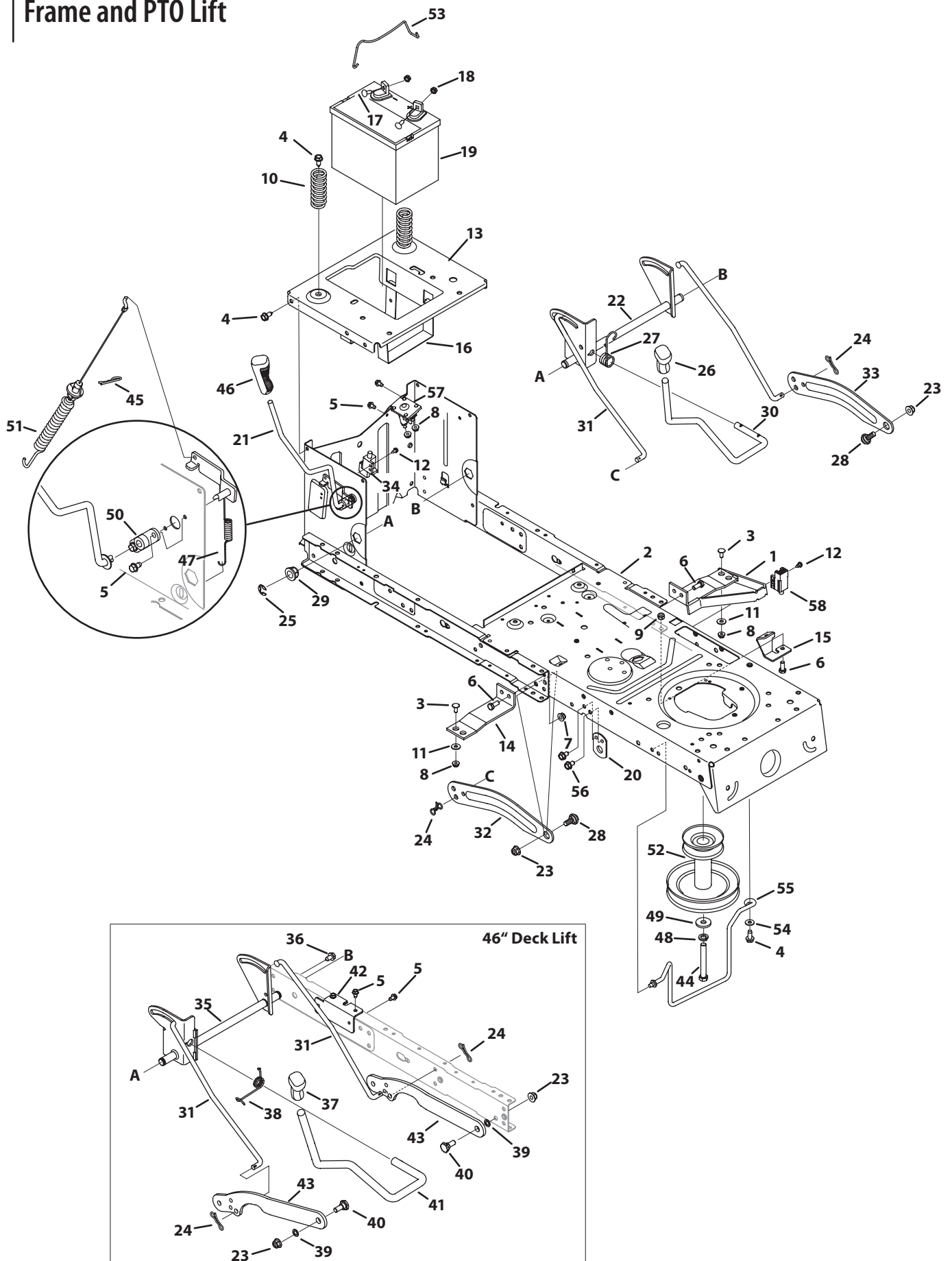


# 1 Style Hood

Ref. No.	Part No.	Description	Ref. No.	Part No.	Description
1	710-04484	Screw 5/16-18 x .750	28	710-0604A	Screw 5/16-18 x .625
2	710-04593	Screw, 5/16-18 x .375	29	741-0587	Bearing, .628 ID x 1.36
3	710-0751	Hex Screw, 1/4-20 x .620	30	712-04063	Flange lock Nut 5/16-18
4	712-04064	Flangelock Nut, 1/4-20	31	783-06785A	Bracket, Steering Support
5	725-0157	Cable Tie	32	783-07083	Gas Tank Support Bracket
6	925-0963	Miniature Lamp 12V Socket	33	783-06811	Dash, Lower NWNDW
7	731-04949A	Lens Grill	34	925-04659	Key Switch Module
8	910-0224	Screw, #10-16 x .500	35	925-1745A	Key
9	736-3006	Lock Washer, 1/4	36	726-0230	Cable Tie
10	738-04091A	Shoulder Screw .43 x .29	37	951-04304	Fuel Tank, 1.36 Gallon
11	783-05327B	Support Bracket LH	38	951-12179A	Fuel Cap
12	783-05328A	Support Bracket RH		951-12426	Fuel Cap, 2.25" EPA
13	783-05454	Hood Pivot Bracket	39	751-12089-28	Hose Vent, 3/16
14	783-05684	Hood	40	735-04081	Rubber Grommet
15	783-05685	Grill	41	751-12118	Rollover Valve
16	710-05070	Screw, 1/4-20 x .500	42	731-05265	Choke Plug
17	710-04483	Screw 1/4-20 x .500	43	710-0778	Hex Washer Screw, 1/4-20 x 1.50
18	710-3144	Hex Screw 3/8-16 x 2.00	44	731-07885A	Shift Lever
19	710-3025	Hex Screw, 5/16-18 x .625	45	731-07895	Index Control
20	712-04065	Flange Lock Nut 3/8-16	46	732-04877	Compr. Spring, .72 OD x .78
21	931-08054	Dash, Upper	47	936-3008	Flat Washer, .344 x .750 x .120
22	783-06823	Speed Latch Tab	48	951-10589	5 Gallon Carbon Canister
23	747-05398	Speed Control Rod	49	951-10590	Vent Filter Canister
24	750-04465C	Flange Spacer .39 x .671 x 1.095	50	951-10610	Canister Adapter Bracket
25	783-06991	Transmission Speed Latch	51	751-10749-30	Fuel Hose, White
26	746-04367	Throttle/Choke Control Cable	52	751-10750-28	Fuel Hose, Yellow
27	710-1652	Tap Screw, 1/4-20, 0.625	—	725-04567G	Harness, LT-5, NRMC, Dual

**NOTE:** Tractor features vary by model. NOT all parts listed above and pictured on the previous page are standard equipment.

# Frame and PTO Lift



## Frame and PTO Lift

Ref.	Part Number	Description	Ref.	Part Number	Description
1	683-04195	Support Bracket	32	783-04494C	38/42" Lift Arm, RH
2	683-04649	Frame Assembly	33	783-04711C	38/42" Lift Arm, LH
3	710-0134	Screw Carriage, 1/4-20 x .62	34	725-04363	Switch Interlock
4	710-04484	Screw 5/16-18 x .750	35	683-04334	Lift Assembly, 46"
5	710-0599	Screw, 1/4-20 x .500	36	710-0604A	Screw, 5/16-18 x .625
6	710-3008	Hex Screw, 5/16-18 x .75	37	720-0298	Handle Grip, 5/8
7	712-04063	Flangelock Nut, 5/16-18	38	732-04438	Torsion Spring Handle, 46"
8	712-04064	Flangelock Nut, 1/4-20	39	936-0140	Flat Washer, .385 x .62 x .063
9	912-0429	Hexlock Nut, 5/16-18	40	938-0380	Shoulder Bolt, 3/8-16 x .500 x .270
10	732-04035	Compression Spacer, 1.28 x 3.125	41	747-04653	46" Lift Handle
11	736-0173	Flat Washer, .28 x .74 x .063	42	783-05389A	Frame Brace Bracket
12	738-04237A	Shoulder Spacer, 10-32 x .500	43	783-0678C	Lift Deck Link
13	783-04548D	Seat Frame Bracket	44	710-04607	Hex Screw, 7/16-20 x 2.75, 46"
14	783-04637	Running Board Bracket		710-04608	Hex Screw, 7/16-20 x 3.25, 38/42"
15	783-04753	Support Frame Bracket	45	914-0145	Click Pin, .092 x 1.64
16	783-04869A	Battery Bracket	46	720-04049A	Handle Grip, 3/8
17	710-04666	Hex Head Flange, 1/4-20 x .75	47	732-04276A	PTO Spring Extension
18	712-0271	Sems Nut, 1/4-20	48	936-0171	Regular Duty Washer Lock, 7/16
19	925-1707D	230 CCA Battery	49	736-0322	Flat Washer, .450 x 1.250 x .164
20	783-04536B	Support Bracket	50	741-04119A	PTO Bearing
21	647-04096	PTO Handle Assembly	51	946-04173C	Deck Engage Cable
22	683-04155A	Lift Assembly, 38/42"	52	756-04207A	Engine Pulley, 3.39 x 6.12, 46"
23	712-04065	Flangelock Nut, 3/8-16		756-04196A	Engine Pulley, 3.39 x 6.12, 38/42"
24	714-04040	Bow-tie Cotter Pin	53	683-04448	Battery Hold Down Rod
25	716-0106A	E Ring	54	936-0300	Flat Washer, .406 x .875 x .059
26	720-0311	Handle Grip, 1/2	55	747-04332A	38" Belt Keeper
27	732-04225	Torsion Spring		747-04857	42" Belt Keeper
28	738-04130	Shoulder Bolt, 3/8-16 x .625 x .175		683-04414	46" Belt Keeper
29	941-0225	Hex Flange Bearing	56	710-0604A	Screw, 5/16-18.0 x .625
30	747-04282	Deck Lift Handle 38"	57	725-04439	12V Solenoid
	747-05296	Deck Lift Handle 42"	58	925-04039	Screw Mount Interlock Switch
31	747-04393	Lift Rod			

**NOTE:** Tractor features vary by model. NOT all parts listed above and pictured on the previous page are standard equipment.

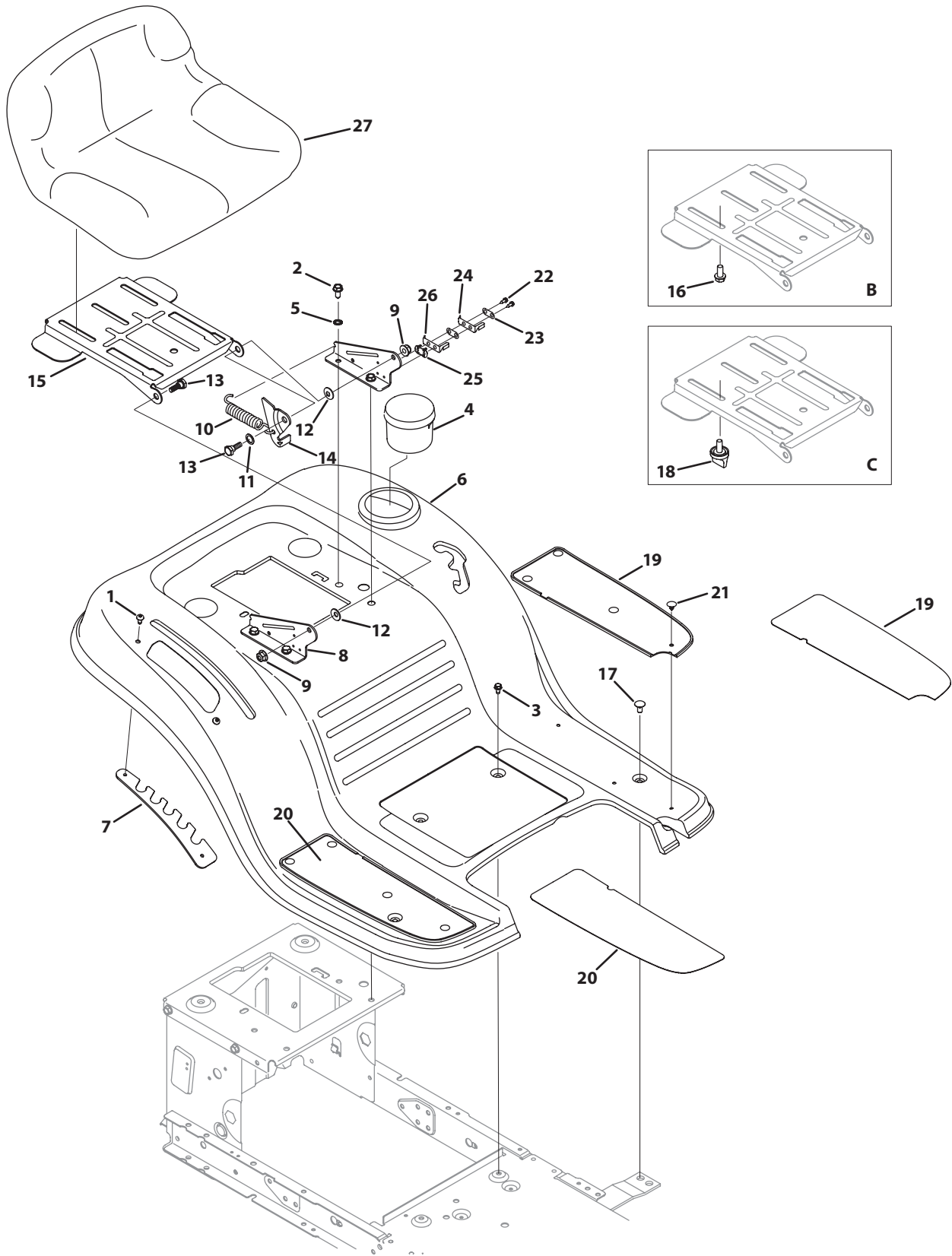


## Front End Steering

Ref.	Part Number	Description	Ref.	Part Number	Description
1	617-04094	Front Steering Gear Assembly	25	714-04039A	Cotter Pin, 5/32 x 1.25
2	710-0514	Hex Screw, 3/8-16 x 1.00	26	710-04484	Screw, 5/16-18 x .750
3	710-0643	Hex Screw, 5/16-18 x 1.00, Lock	27	712-04065	Flangelock Nut, 3/8-16
4	710-1309	Machine Screw, 5/16-18 x .750	28	914-0474	Cotter Pin, .125 x .75
5	710-3180	Hex Screw, 5/16-18 x 1.75	29	919-04177A	Pivot Axle, Cast
6	912-0240	Jam Nut, 7/16-20	30	631-04028	Steering Wheel
7	912-0214	Jamlock Nut, 3/8-24		631-04560	Steering Wheel Soft Grip
8	712-04063	Flangelock Nut, 5/16-18	31	934-04081	Rim Asm, 6.0 x 4.5, 42/38" Deck
9	638-04008P	Front RH Axle		634-04634	Rim Asm, 6.0 x 4.5, 46" Deck
	938-04013	46" Front RH Axle	32	934-0255	Valve, tubeless Air
10	923-0448A	Ball Joint, 7/16-20	33	734-1731	Tire, 15 X 6 X 6 Sq Shldr 42/46"
11	736-0242	Bell Washer, .340 x .872 x .060		734-04240A	Tire, 15 X 6 X 6 Rd Shldr, 38"
12	938-04007A	Front LH Axle	34	738-04128	Shoulder Bolt, 3/8-16 x .500 x 2.38
	938-04014A	46" Front LH Axle	35	747-04299A	Fixed Rod
13	738-04141	Shoulder Bolt, 5/16-18 x .435 x .350	36	783-05326B	Pivot Bar Bracket
14	738-0919A	Steering Shaft, 5/8 x 22.08		783-04601C	Pivot Bar Bracket
15	941-04124	Flange Bearing, 5/8	37	726-0341	Push Cap, 3/4
16	931-0484A	Hub Cap	38	731-04057A	Standard Axle Cap
17	747-05385	Steering Link	39	741-0660A	Flange Bearing, .760 x .941 x 1.0
18	948-0389	Cap, 1.25 x .16	40	726-04035	Push Nut, 3/4
19	748-04065	Steering Block	41	731-04693	Hub Cap
20	748-04068	Spacer, .71 x .125 x .56	42	936-0316	Flat Washer, .78 x 1.59 x .060
21	731-04681	Cap, Troy-Bilt	43	748-04068	Spacer, .71 x .125 x .56
	731-04039	Cap	44	634-04086	Wheel Assembly, 42"
	731-04040	Sprig Cap		634-04325	Wheel Assembly, 38"
22	738-04162A	Shoulder Spacer, .884 x .190		634-04639	Wheel Assembly, 46"
23	736-04228A	Flat Washer, .781 x 1.590	45	683-0128B	Pivot Axle
24	783-04568	Front Deck Hanger Bracket			

**NOTE:** Tractor features vary by model. NOT all parts listed above and pictured on the previous page are standard equipment.

# Seat and Fender

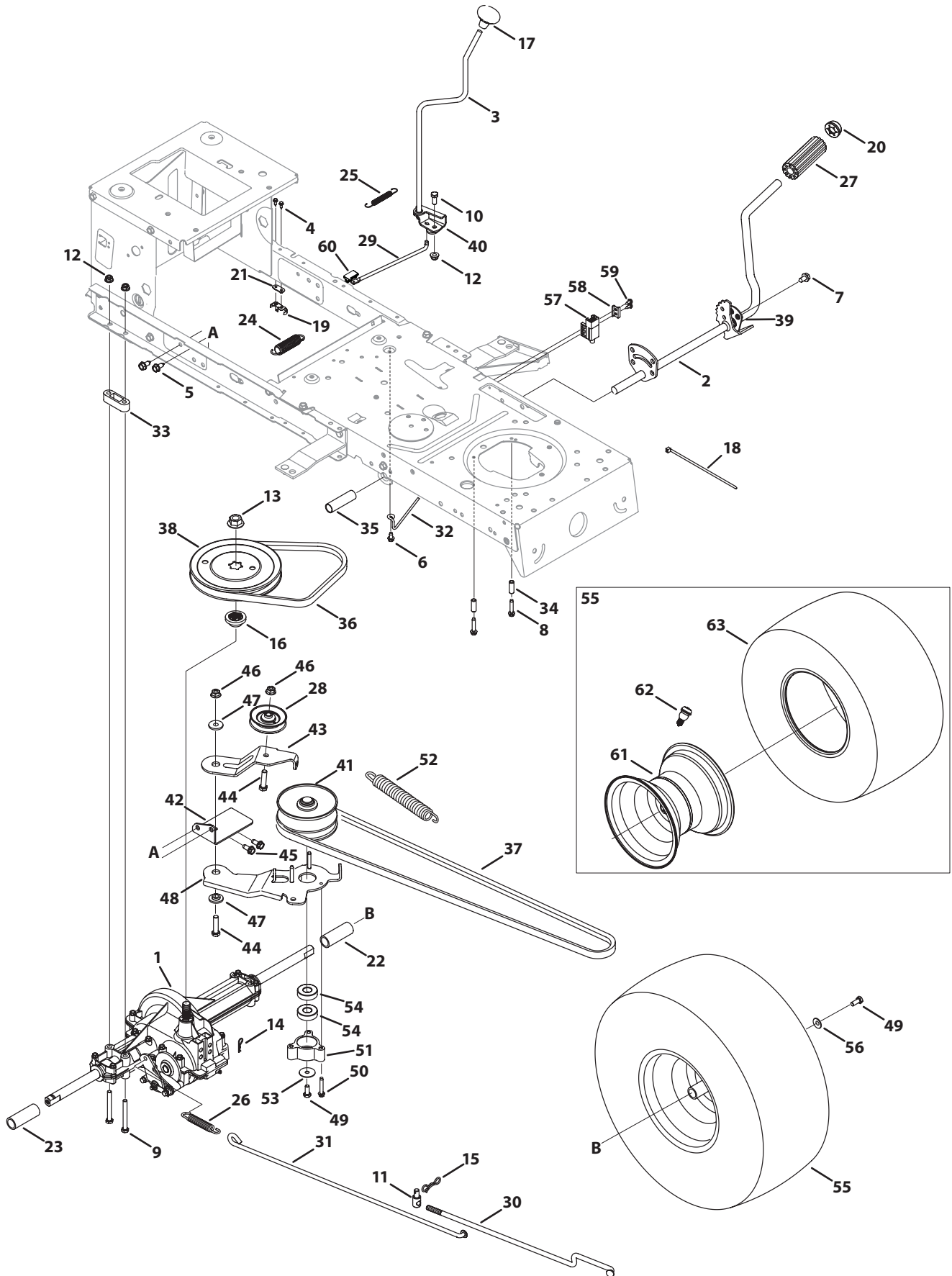


Ref.	Part Number	Description
1	710-05070	Screw, 1/4-20 x .500
2	710-04484	Screw, 5/16-18 x .750
3	710-0599	Screw Pan Torx Head, 1/4-20 x .500
4	731-04591A	Cup Holder
5	736-0607	Loack Washer, 5/16
6	783-04587D	Fender
7	783-04843	Lift Adjuster Bracket
8	783-1489D	Seat Mount Bracket
9	712-04063	Flangelock Nut, 5/16-18
10	732-1184	Extension Spring
11	936-0108	Flat Washer, .510x .750 x .033
12	736-0242	Bell Washer, .340 x .872 x .060
13	938-0296	Shoulder Screw, 5/16-18 x .437 x .268
14	783-0209D	Lift Seat Bracket
15	783-04081D	Pivot Seat Manual Adjust Bracket
16	710-04482	Hex Head Flange, 3/8-16 x .875
17	710-0134	Screw Carriage, 1/4-20 x .62
18	720-04061	Knob, 3/8-16 x .875
19	735-04047	Foot Pad, LH
	723-04026	Foot Pad, Abrasive, LH
20	735-04048	Foot Pad, RH
	723-04025	Foot Pad, Abrasive, RH
21	726-3046	Ratchet Clip, .250 x .500
22	710-0227	Screw, 8-18 x .500
23	726-0279	Insulator Plate
24	925-1303	Outer Seat SPring
25	726-0278	Insulator Boss Plate
26	725-1439	Inner Seat Spring
27	757-04083	Medium Back Seat, Black, Set-up B
	757-04099	Low Back Seat, Black, Set-up B or C
	757-04088	High Back Seat, Set-up B

**NOTE:** Tractor features vary by model. NOT all parts listed above and pictured on the previous page are standard equipment.



# Transmission (Single Speed)

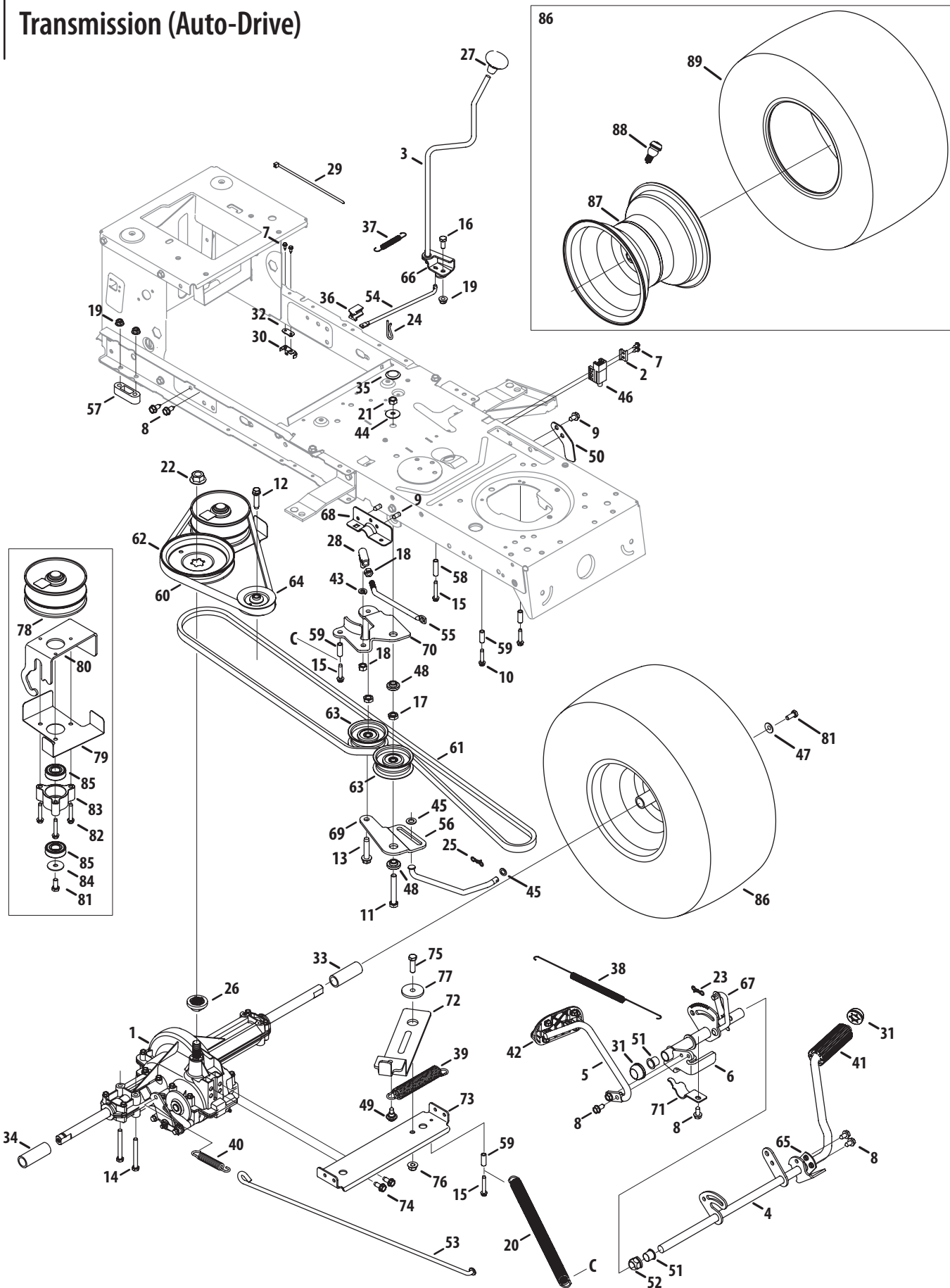


# Transmission

Ref.	Part Number	Description	Ref.	Part Number	Description
1	918-04566	Transmission Drive Assembly	33	948-0334	Spacer, T-Axle, 46" Only
2	647-04034C	Pedal Assembly	34	750-0566A	Spacer, .260 x .375 x 1.030 LG
3	647-04266	Shaft Lever Assembly	35	750-0802	Spacer, .640 ID x .76 OD x 2.63
4	710-0227	Screw, 8-18:0.500	36	954-0241A	V Belt, 5L 35.25 POLY
5	710-04484	Screw, 5/16-18 x .750	37	954-04249A	V Belt, 5L 70.90 POLY
6	710-0599	Screw, 1/4-20 x 0.500	38	956-04002	V Pulley 7.25 DIA SPUN
7	710-0604A	Screw, 5/16-18 x 0.625	39	783-04536B	Pedal Support Bracket
8	710-0809	Screw, 1/4-20 x 1.250	40	783-04595A	Shaft Adjust Bracket
9	710-1266	Hex Screw, 5/16-18 x .625	41	956-04015A	Variable Speed Pulley Assembly
	710-0176	Hex Screw, 5/16-18 x 2.75	42	683-04176A	Transmission Bracket Assembly
10	710-3008	Hex Screw, 5/16-18 x .75	43	683-04207	Idler Bracket Assembly
11	911-04075A	Ferrule, 3/8-24 X .375 DIA.	44	710-0347	Hex Screw, 3/8-16 x 1.75
12	712-04063	Flangelock Nut, 5/16-18	45	710-1260A	Screw, 5/16-18 x 0.750
13	712-0700	Flange Nut, 9/16-18	46	712-04065	Flangelock Nut, 3/8-16
14	914-0209	Cotter Pin INT- .125 DIA	47	938-0347	Shoulder Spacer, .625 ID x .169
15	714-04040	Bow-Tie Cotter Pin, 72	48	683-04206	Bracket Assembly
16	718-04407	Pulley Hub, 5/8 SPLINE	49	710-0627	Hex Screw, 5/16-24 x .750
17	720-04028	Shift Knob	50	710-0778	Screw, 1/4-20 x 1.500
18	725-0157	Cable Tie	51	718-04261	Bearing Cup
19	725-1644	Short Spring Switch	52	732-04746	Extension Spring, .94 OD x 6.75 LG
20	726-0214	Push Cap, 5/8	53	736-0362	Flat Washer, .330 x 1.25 x .06:HT
21	926-0320	Plate Insulator Nut	54	941-0600	Ball Bearing, 17 x 40 x 12
22	731-04602	Sleeve, .758 x .821 x 3.3125	55	634-04324	Wheel, 20 x 8 x 8, 38"
23	731-04604	Sleeve, .758 x .821 x 2.4375		634-0104	Wheel, 20 x 8 x 8, 42/46"
24	732-04306	Spring Extension, .80 OD x 3.28 LG	56	736-0242	Bell Washer, .340 x .872 x .060
25	732-04488	Spring Extension, .38 OD x 3.25 LG	57	725-04363	Switch Interlock
26	732-0716D	Spring Extension, .59 OD x 4.00 LG	58	17962	Plate Switch
27	735-0239	Foot Pad, 4.0 LONG	59	738-04237A	Shoulder Screw, #10-32 x .500
28	756-04325	Idler Pulley	60	731-06894	Shift Plate Bearing
29	747-05243	Shift Rod, 46"	61	634-04369	Rim, 8.0 x 7.0 x .750, 38/42/46"
	747-05244	Shift Rod, 38/42"	62	934-0255	Valve, tubeless Air
30	747-05186	Variable Speed Control Rod	63	734-1730	Tire, 20 X 8 X 8 Sq Shldr, 42/46"
31	747-05188	Brake Rod		734-04241	Tire, 20 X 8 X 8 Rd Shldr, 38"
32	747-04969	Belt Keeper Rod			

**NOTE:** Tractor features vary by model. NOT all parts listed above and pictured on the previous page are standard equipment.

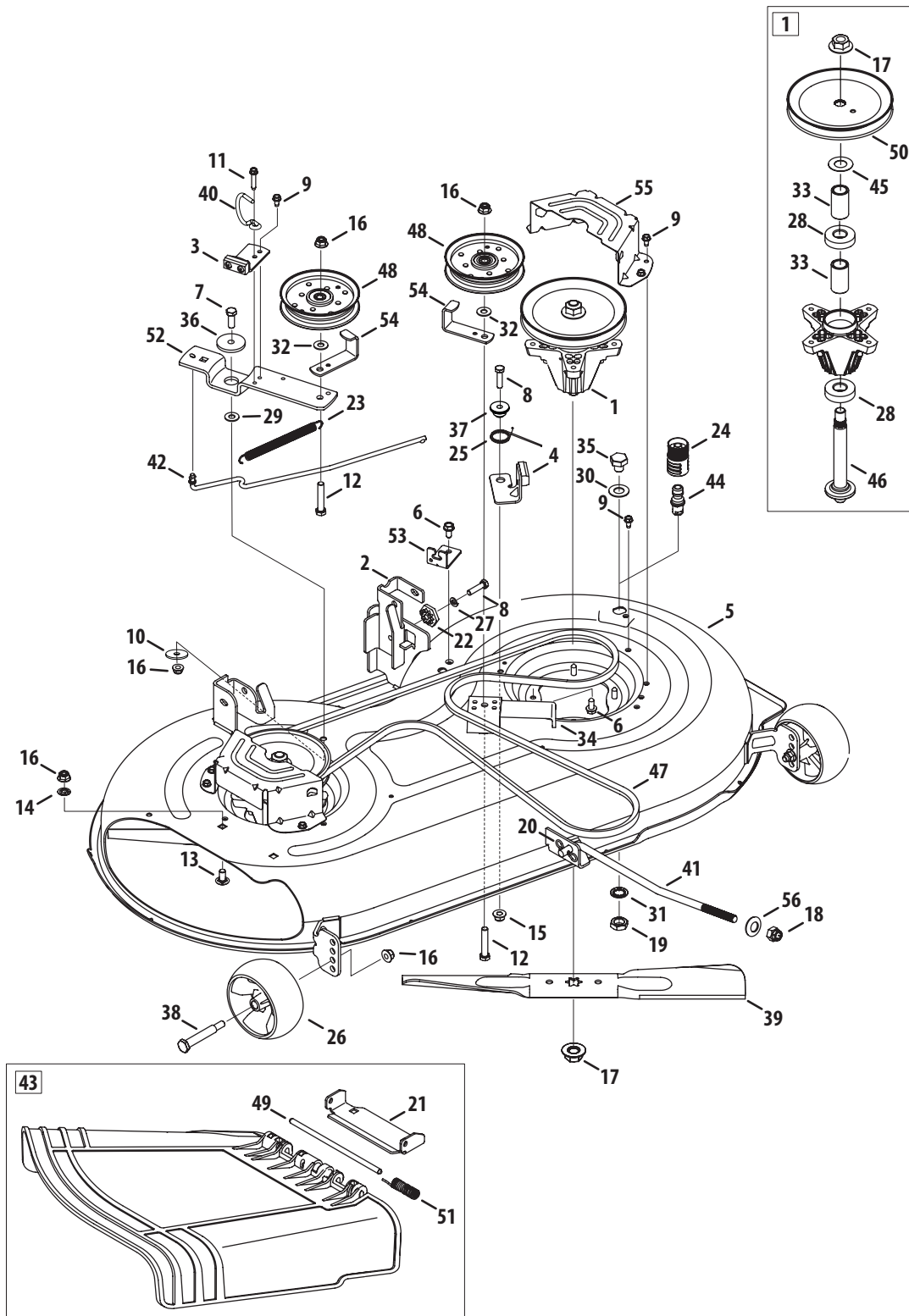
# Transmission (Auto-Drive)



Ref.	Part No.	Description	Ref.	Part No.	Description
1	918-04566	Transmission Drive Assembly	46	725-04363	Switch Interlock
2	17962	Plate Switch	47	736-0242	Bell Washer, .340 x .872 x .060
3	647-04035	Shaft Lever Assembly	48	738-0372B	Shoulder Spacer, 1.00 X .38 X .38
4	647-04201	Pedal Assembly, drive	49	738-04091A	Shoulder Screw, .43 x .29, 5/16-18
5	647-04203A	Pedal Assembly, control	50	783-06807	Stop Pedal Plate
6	683-04607	Pedal Bracket Assembly	51	741-0495	Fln g Bearing .63 Id x .695 Od X .60
7	710-0227	Screw, 8-18:0.500	52	741-3065B	Hex Flange Bearing, .628 Id
8	710-04484	Screw, 5/16-18 x .750	53	747-05188	Brake Rod
9	710-0604A	Screw, 5/16-18 x 0.625	54	747-05243	Shift Rod, 46"
10	710-0809	Screw, 1/4-20 x 1.250	55	747-05251A	Idler Rod, 3/8
11	710-0859	Hex Screw, 3/8-16 x 2.50	56	747-05415	Transmission Bypass Rod
12	710-1007	Screw, 3/8-16 x 1.500	57	948-0334	Spacer, T-Axle .68
13	710-1858A	Screw, 3/8-16 x 1.750	58	750-04456	Spacer, .260 X .372 X 1.420 Lg
14	710-1266	Hex Screw, 5/16-18 x .625	59	750-0566A	Spacer, .260 X .375 X 1.030 Lg
15	710-1325	Screw, 1/4-20 x 1.625	60	954-04208	V Belt, 5L 40.9 Poly
16	710-3008	Hex Screw, 5/16-18 x .75	61	954-0467A	V Belt, 5L, 90.93 Poly
17	912-0240	Jam Nut, 7/16-20	62	956-04002	V Pulley 7.25 DIA SPUN
18	712-0241	Hex Nut, 3/8-24	63	756-04224	Idler Pulley
19	712-04063	Flangelock Nut, 5/16-18	64	756-04325	Idler Pulley
20	732-04764	Spring Extension, .56 OD x 12.05	65	783-04536B	Pedal Support Bracket
21	912-3000	Nut, 3/8-16, Centerlock	66	783-04595A	Shaft Adjust Bracket
22	712-0700	Flange Nut, 9/16-18	67	783-06278	Reinforcement Plate Bracket
23	914-0111	Cotter Pin, 3/32 x 1.0	68	783-06562A	Frame Pedal Bracket, Rh
24	914-0209	Cotter Pin INT- .125 DIA	69	783-06769	Center Idler Bracket
25	714-04040	Bow-Tie Cotter Pin, 72	70	783-06592A	Idler Bracket
26	718-04407	Pulley Hub, 5/8 SPLINE	71	783-06641	Pedal Support Bracket
27	720-04028	Shift Knob	72	753-06662	Idler Bracket Assembly
28	923-3018	Ball joint	73	683-04606	Bracket Assembly
29	725-0157	Cable tie	74	710-1260A	Screw, 5/16-18 x 0.750
30	725-1644	Short Spring Switch	75	710-3005	Hex Screw, 3/8-16 x 1.25
31	726-0214	Push Cap, 5/8	76	712-04065	Flangelock Nut, 3/8-16
32	926-0320	Plate Insulator Nut	77	738-04162A	Shoulder Spacer, .8840 X .190
33	731-04602	Sleeve, .758 x .821 x 3.3125	78	956-04015A	Variable Speed Pulley Assembly
34	731-04604	Sleeve, .758 x .821 x 2.4375	79	683-04522	Belt Keepr Assembly
35	731-06330	Plug, 7/8	80	683-04612	Bracket Assembly
36	731-06894	Shift Plate Bearing	81	710-0627	Hex Screw, 5/16-24 x .750
37	732-04488	Spring Extension, .38 OD x 3.25 LG	82	710-0778	Screw, 1/4-20 x 1.500
38	732-04612	Spring Extension, .70 OD X 12.00	83	718-04261	Bearing Cup
39	732-04616B	Spring Extension, .97 Od X 6.18 Lg	84	736-0362	Flat Washer, .330 X 1.25 X .06
40	732-0716D	Spring Extension, .59 OD x 4.00 LG	85	941-0600	Ball Bearing, 17 x 40 x 12
41	735-0239	Foot Pad, 4.0 Long	86	634-0104	Wheel, 20 x 8 x 8
42	735-0662	Control Pad	87	634-04369	Rim, 8.0 X 7.0 X .750
43	936-0169	Lock Washer, 3/8	88	934-0255	Valve, tubeless Air
44	736-3040	Flat Washer, .406 x 1.920 x .060	89	734-1730	Tire, 20 X 8 X 8
45	936-0185	Flat Washer, .375 X .738 X .063			

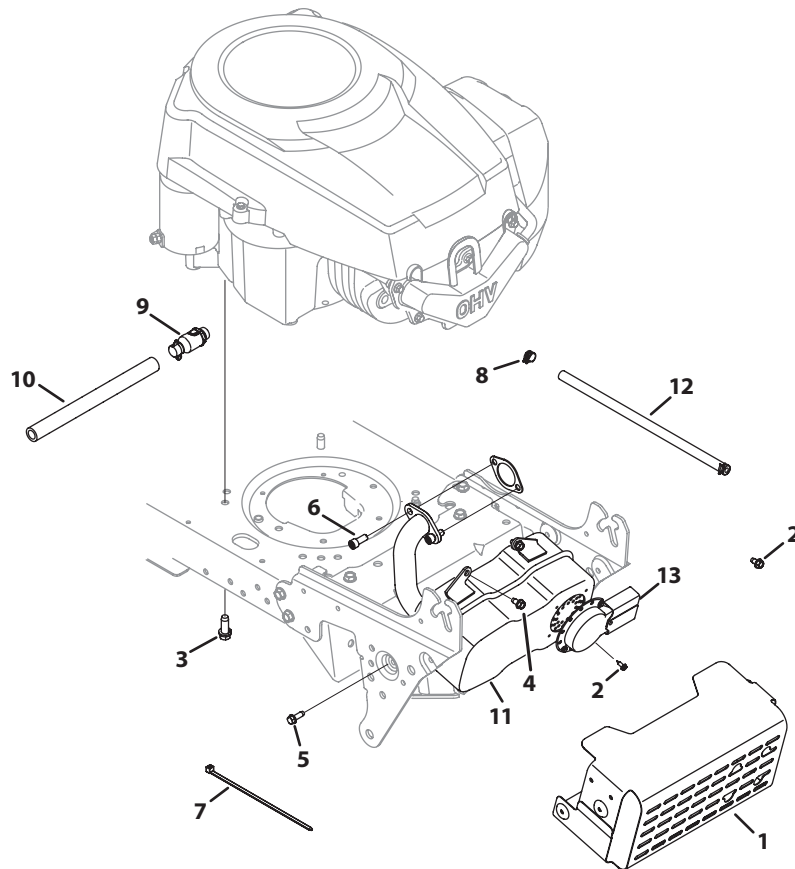
**NOTE,** Tractor features vary by model. NOT all parts listed above and pictured on the previous page are standard equipment.

# 42" Deck



Ref.	Part Number	Description	Ref.	Part Number	Description
1.	918-04822A	Spindle Ass'y, Pulley, 6.3 Dia	29.	936-0344	Washer, Flat, .385 X 1.0 X .030
2.	683-0254B	Bracket Ass'y, Deck, Hanger LH	30.	736-0187	Washer, flat, .64 X 1.24 X .06
3.	983-04511	Brake Ass'y, Deck, 42/46	31.	736-0225	Washer, Lock, 5/8, Int Tooth
4.	983-04525	Brake Ass'y, Deck, 46"	32.	736-0262	Washer, Flat, .385 x .870 x .092
5.	983-04570	Deck Ass'y, Offset, 42" W/O wheel	33.	750-04936	Spacer, .792 x 1.060 x 1.860
	983-04572	Deck Ass'y, Offset, 42 W/ 2 wheel	34.	783-06643	Bracket, Support, Stationary Idler
6.	710-04484	Screw, Self-tapping, 5/16-18, .750	35.	738-04146	Plug, Bolt, M16 X 1.5
7.	710-3005	Hex Screw, 3/8-16, 1.25, Gr5, Std	36.	738-04162A	Spacer, Shoulder, .8840 x .190
8.	710-0528	Hex Screw, 5/16-18, 1.25, Gr5, Std	37.	748-04272	Shoulder Spacer
9.	710-0599	Screw, Self-tapping, 1/4-20, 0.500	38.	938-3056	Bolt, Shoulder, .496 x 2.50, 3/8-16
10.	936-3039	Flat Washer, .406 x 1.500 x .105	39.	942-04308	Blade, Cut, 21.23" 2-In-1, Econ
11.	710-0642	Screw, Self-tapping, 1/4-20, .750	40.	747-05323	Rod, Keepr, Belt 42 Idler
12.	710-3144	Hex Screw, 3/8-16, 2.00, Gr5, Std	41.	747-05141A	Rod, Lift, Deck, Frt, 12.7
13.	710-3178	Bolt, Carriage, 3/8-16, 0.75, Gr1	42.	747-05105B	Rod, Control, Brake 42"
14.	712-0229	Nut, Push, 3/8	43.	631-04288	Chut Assembly, 42" Deck
15.	712-04063	Nut, Flange Lock, 5/16-18, Grf	44.	737-04003D	Deck Water Nozzle
16.	712-04065	Nut, Flange Lock, 3/8-16, Grf	45.	936-0351	Washer, Flat, .760 Idx1.50 OD
17.	712-0417A	Nut, Flange, 5/8-18	46.	738-1186A	Shift, Spindle, 6.11.
18.	712-04243	Nut, Lock, 1/2-13	47.	954-04060B	Belt, V Type, A Sec X 96.5
19.	912-0641	Nut, Hex, M16-1.5	48.	756-04129B	Pulley, Idler, 4.25"Dia
20.	714-04043	Bow-Tie Cotter Pin	49.	711-04847B	Pin, Hinge, Dia .3125 x 7.96
21.	783-06074A	Chute Bracket	50.	956-1227	Pulley, Deck, 6.3 Dia
22.	917-04074	Gear, Deck, Adjustment	51.	732-04372	Spring, Torsion, .44 I.D. X 2.0
23.	932-0384	Spring, Extension, .62 Dia x 6.12	52.	783-05946	Pivot idler Bracket, 46
24.	921-04041	Water Nozzle Adapter	53.	783-06243	Bracket, Cable, Deck Engage
25.	732-04840	Spring, Torsion, .992 ID X 1.17 OD	54.	783-06368	Bracket, Guard, Belt, 4.25 Pulley
26.	734-04155	Wheel, Deck, 5.0 Dia Ball	55.	783-06424A	Deck Belt Cover, 42
27.	936-0119	Washer, Lock, 5/16, Regular Duty	56.	748-04069	Deck Lift Pivot Cup
28.	941-0919	Bearing, Ball, .787id x 1.85 Odx.551			

**NOTE:** Tractor features vary by model. NOT all parts listed above and pictured on the previous page are standard equipment.



Ref.	Part Number	Description
1	683-04549	Muffler Shield Assembly with Weld
2	710-0227	Screw, 8-18 x .500
3	710-04683	Screw, 3/8-16 x 1.0
4	710-0599	Screw, 1/4-20 x .500
5	710-0642	Screw, 1/4-20 x .750
6	710-1314A	Socket Screw, 5/16-18 x .750
7	725-0157	Cable Tie
8	726-0205	Clamp Hose, .490 diameter
9	951-10517A	Oil Drain
10	751-3141-14	Oil Drain, Extension Hose
11	751-11943	Muffler
12	751-10349-28	Fuel Hose, Low Permeation
13	751-11053	Muffler Deflector Long

# Wiring Harness Schematic - 725-04567G

