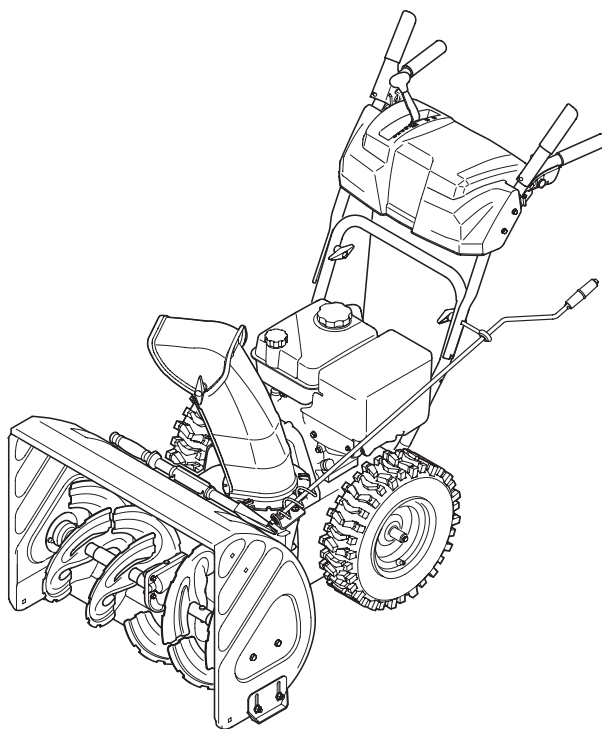

ILLUSTRATED PARTS MANUAL



600-Series Snow Throwers

MTD LLC, P.O. BOX 361131 CLEVELAND, OHIO 44136-0019

To The Owner

Thank you for purchasing an MTD Snow Thrower. It was carefully engineered to provide excellent performance when properly operated and maintained.

All information in this manual is relative to the most recent product information available at the time of printing. Please be aware that this Illustrated Part's Manual may cover a range of product specifications for various models.

Components listed and/or illustrated in this manual may not be applicable to all models. We reserve the right to change product specifications, designs and equipment without notice and without incurring obligation.

Throughout this manual, all references to *right* (RH) and *left* (LH) are observed from the operating position.

Table of Contents

<i>Augers</i>	10	<i>Drive System</i>	18
<i>Axle</i>	18	<i>Engine, 165-SUB</i>	22
<i>Belts</i>	18	<i>Engine, 365-SUB</i>	26
<i>Cable, Auger</i>	10	<i>Engine, 370-SUB</i>	30
<i>Chute, Standard</i>	16	<i>Engine, 478-SU</i>	34
<i>Chute, Extended</i>	14	<i>Engine, 483-SU</i>	38
<i>Cleanout Tool, Chute</i>	10	<i>Frame</i>	18
<i>Controls, 2- and 4-way Chute</i>	12	<i>Friction Wheel</i>	18
<i>Cord, Extension</i>	10	<i>Gear Box</i>	10
<i>Dash Panel, B-Style</i>	3	<i>Shear Pins</i>	10
<i>Dash Panel, E/F-Style</i>	4	<i>Skid Shoes</i>	10
<i>Dash Panel, K/L-Style</i>	6	<i>Wheels</i>	18
<i>Dash Panel, N/P/Q-Style</i>	8		

Record Product Information

To ease in ordering replacement parts, please locate the model plate on the equipment and record the information in the provided area to the right. You can locate the model plate by looking beneath the seat.

MODEL NUMBER

--	--	--	--	--	--	--	--	--	--	--

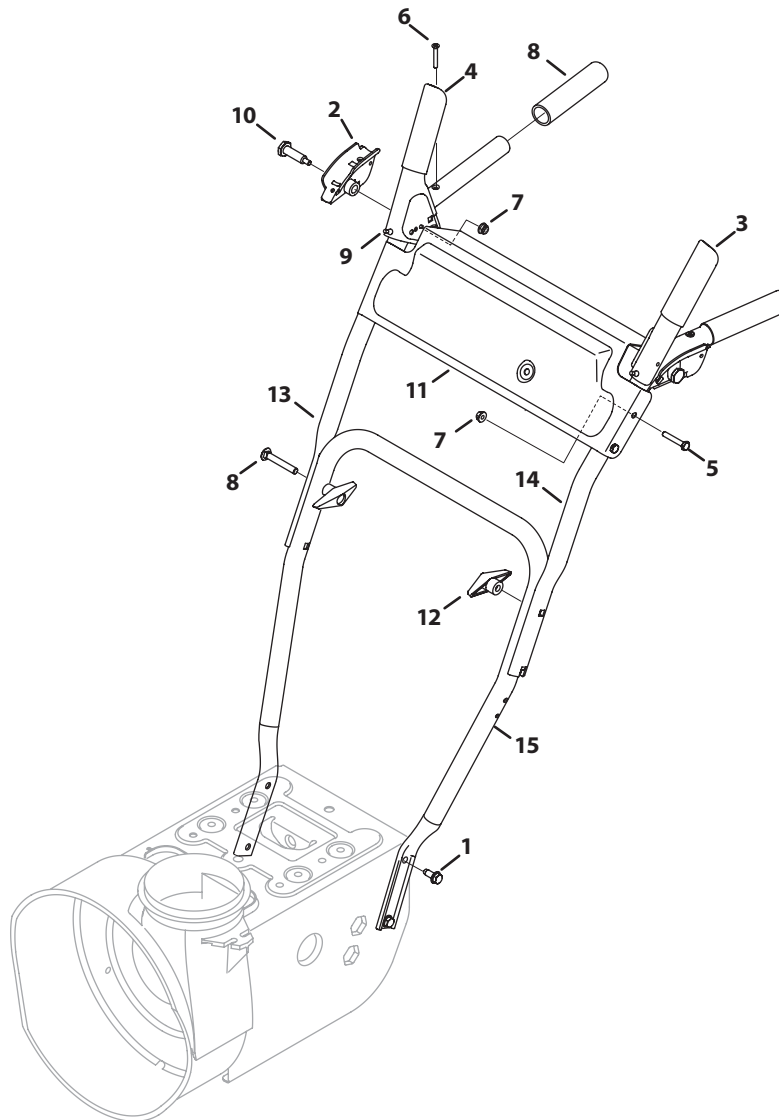
SERIAL NUMBER

--	--	--	--	--	--	--	--	--	--	--

Painted Parts

When ordering painted service parts, a four digit color suffix must be added to the part number (e.g. 783-XXXXX). Please refer to the table below for current color codes:

0637	Black	0650	Metallic Red (White Outdoor)
0709	Dark Green (Bolens, Mastercraft, Yard-Man Domestic)	0665	Dark Green (Yard-Man Export)
0662	Oyster Gray (MTD Gold)	0629	Silver Flake (MTD Platinum)
0638	Red (Yard Machines, Huskee, Troy-Bilt, MTD)	04038	Day Orange (Daedong)
0691	Black Jack (MTD Gold, MasterCut)	04033	Flint Mica (Troy-Bilt XP)
0674	Yellow (Yard-Man)		



Ref.	Part Number	Description
1	710-04484	Taptite Screw, 5/16-18 x .750
2	631-04133A	Clutch Lock Handle Assembly, LH
—	631-04134B	Clutch Lock Handle Assembly, RH
3	684-04105B	Engagement Assembly, LH
4	684-04106B	Engagement Assembly, RH
5	710-0606	Hex Head Screw, 1/4-20 x 1.50 +
6	710-1233	Machine Screw, #10-24 x 1.375
7	712-04064	Flange Lock Nut, 1/4-20

Ref.	Part Number	Description
8	720-0274	Grip, 1.0 ID x 5.0 LG
9	935-0199A	Rubber Bumper, .62 OD x .22 Thick
10	738-04348	Shoulder Screw, .437 x 1.345 x 1/4-20
11	790-00100	Handle Panel
12	720-0284	Wing Knob
13	749-04190A	Upper RH Handle
14	749-04191A	Upper LH Handle
15	749-04138A	Lower Handle

E/F-Style Panel

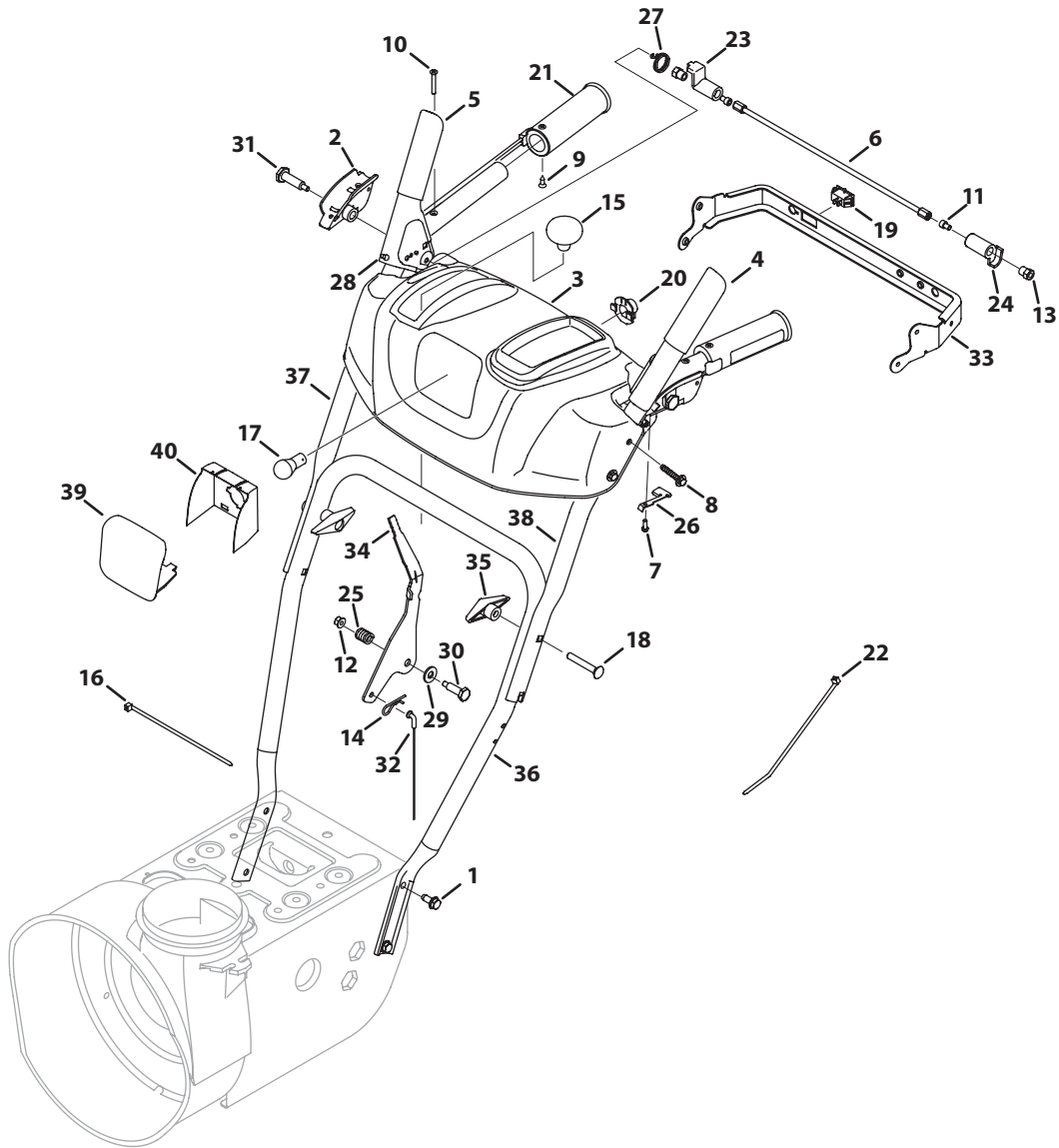
Ref.	Part Number	Description
1	710-04484	Taptite Screw, 5/16-18 x .750
2	631-04133A	Clutch Lock Handle Assembly, LH
—	631-04134B	Clutch Lock Handle Assembly, RH
3	684-04105B	Engagement Assembly, LH
4	684-04106B	Engagement Assembly, RH
5	684-04250	Clutch Pivot Lock Rod Assembly
6	710-04326	Hex Washer Screw, #8-16 x .50
7	710-04586	Hex Washer Screw, 1/4-20 x .625
—	710-0606	Hex Head Screw, 1/4-20 x 1.50 +
8	710-0572	Carriage Screw, 5/16-18 x 2.25
9	710-1233	Machine Screw, #10-24 x 1.375
10	710-3069	Socket Screw, 1/4-20 x .50
11	712-04063	Flange Lock Nut, 5/16-18
12	720-0284	Wing Knob
13	712-04081A	Hex Nut, 1/4-20
14	914-0145	Click Pin, .092 x 1.64
15	720-0274	Grip, 1.0 ID x 5.0 LG
16	720-04039	Shift Knob
17	725-05153	Snow Thrower Harness ^
18	925-1658	Halogen Lamp ^
19	925-1672	Lens/Lamp Assembly Housing ^

Ref.	Part Number	Description
20	926-0154	Cable Tie
21	731-04894D	Lock Plate
22	731-04896B	Clutch Lock Cam
23	732-0193	Compression Spring, .39 x .60 x .88
24	732-04219C	Clutch Lock Spring
25	732-04238	Torsion Spring, .8156 ID x .3038
26	749-04138A	Lower Handle
27	935-0199A	Rubber Bumper, .62 OD x .22 Thick
28	736-0262	Flat Washer, .385 x .870 x .092
29	749-04190A	Upper RH Handle
30	738-04118	Shoulder Bolt, 5/16-18 x .905
31	749-04191A	Upper LH Handle
32	738-04348	Shoulder Screw, .437 x 1.345 x 1/4-20
33	946-04397A	Speed Selector Cable
34	747-1136	Headlight Retainer ^
35	790-00209	Handle Panel w/ Light ^
—	790-00219-0691	Handle Panel w/o Light
36	712-04064	Flange Lock Nut, 1/4-20 +
37	790-00313	Speed Shift Lever
38	790-00248B	Panel Bracket
—	729-04035	Amp Connector

+ Models without Clutch Lock

^ Models with Light

K/L-Style Panel

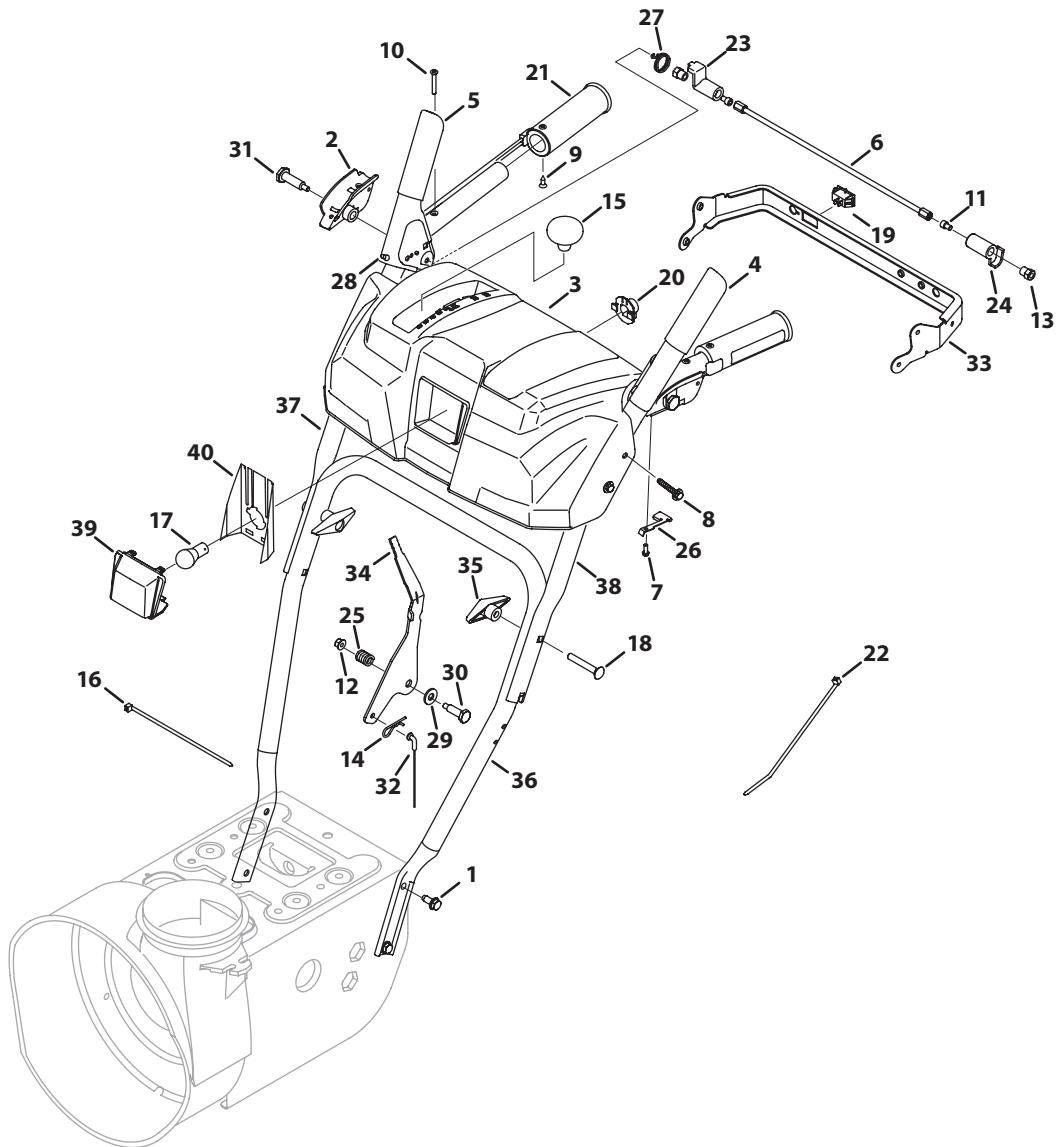


K/L-Style Panel

Ref.	Part Number	Description
1	710-04484	Screw, Taptite, 5/16-18 x .750
2	631-04134B	Clutch Lock, RH
—	631-04133A	Clutch Lock, LH
3	931-05348	Handle Panel, includes 39 & 40
4	684-04105B	Auger Engage, Black
5	684-04106B	Drive Engage, Black
6	684-04250	Pivot Rod
7	710-04326	Screw, Plastite, 8-16 x .50
8	710-04586	Screw, Taptite, 1/4-20 x 1.625
9	710-0837	Screw, 10-16 x 0.625
10	710-1233	Screw, 10-24 x 1.375
11	710-3069	Screw, 1/4-20 x .50
12	712-04064	Nut, Flange Lock, 1/4-20
13	712-04081A	Nut, Hex, 1/4-20
14	914-0145	Click Pin, .092 x 1.64
15	720-04039	Shift Knob
16	725-0157	Cable Tie, 7"
17	725-1629	Lamp, 12.8V, 357cc Engine
18	710-0572	Screw, Carriage, 5/16-18 x 2.25
19	725-04393	Heated Grip Switch
20	925-1649	Lamp Socket
21	725-05149	Heated Grip
22	926-0154	Cable Tie, Push Mount

Ref.	Part Number	Description
23	731-04894D	Plate, Lock
24	731-04896B	Cam, Clutch Lock
25	732-0193	Compression Spring, .39 x .60 x .88
26	732-04219C	Clutch Lock Spring
27	732-04238	Torsion Spring, 0.8156 x .3038
28	935-0199A	Rubber Bumper
29	936-0267	Washer, Flat, .385 x .87
30	738-04125	Screw, Shield, .374 x 1.05
31	738-04348	Screw, Shoulder, .437 x 1.345 x 1/4-20
32	946-04396A	Speed Selector Cable
33	790-00248B	Panel Bracket
34	790-00311A	Shift Lever
35	720-0284	Wing Knob
36	749-04138A	Lower Handle
37	749-04190A	Upper RH Handle
38	749-04191A	Upper LH Handle
39	731-05320	Lens Panel
40	777X41803	Lens Label
—	925-04137	Harness Assembly
—	725-05148	Heated Grips Harness, 357cc Engine
—	725-04694A	Heated Grips Harness, 179cc & 208cc Engines

N/P/Q-Style Panel

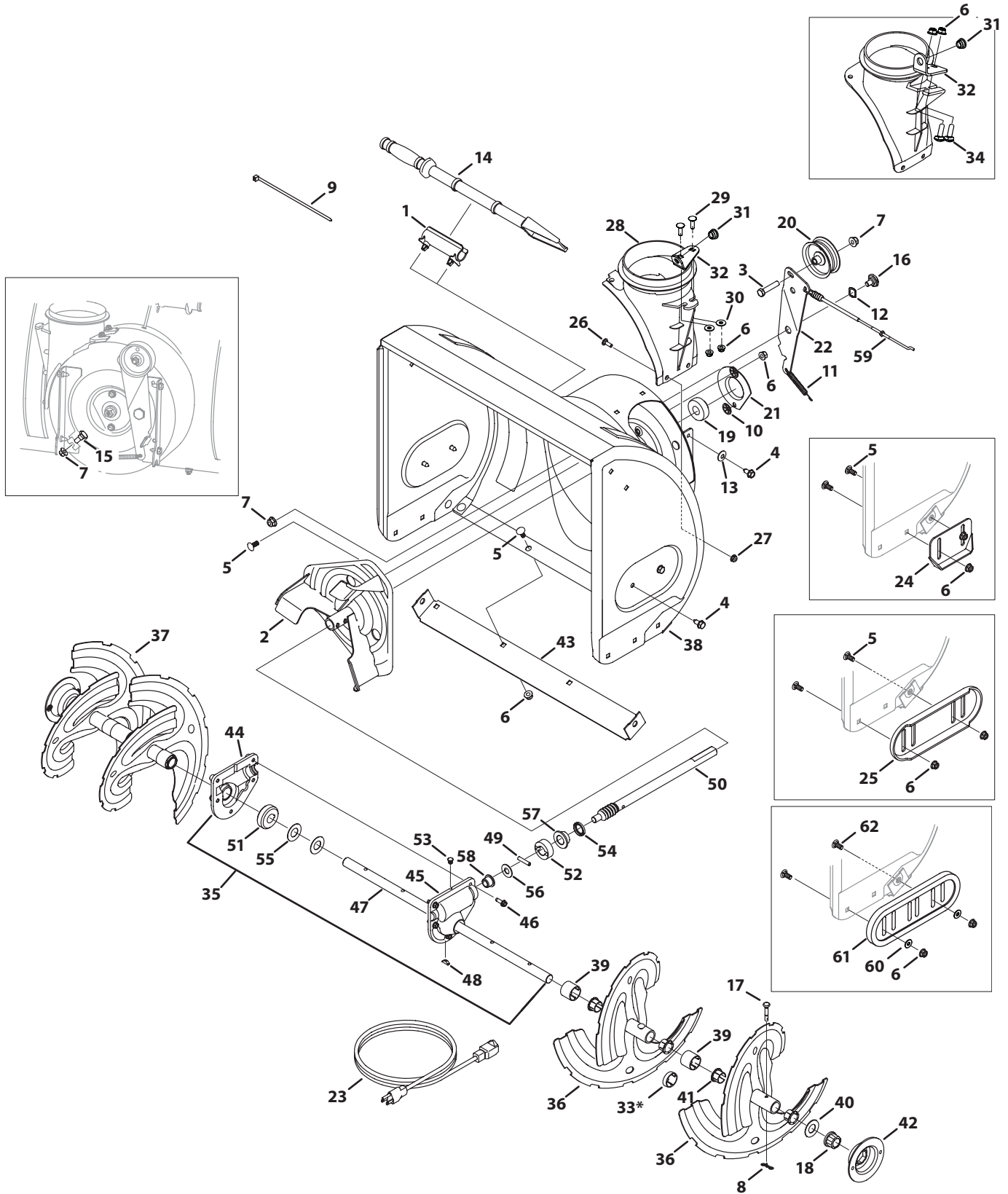


N/P/Q-Style Panel

Ref.	Part Number	Description
1	710-04484	Screw, Taptite, 5/16-18 x .750
2	631-04134B	Clutch Lock, RH
—	631-04133A	Clutch Lock, LH
3	931-05332A	Handle Panel w/ Light
—	731-05334A	Handle Panel w/o Light
4	684-04105B	Auger Engage
5	684-04106B	Drive Engage
6	684-04250	Pivot Rod
7	710-04326	Screw, Plastite, 8-16 x .50
8	710-04586	Screw, Taptite, 1/4-20 x 1.625
9	710-0837	Screw, 10-16 x 0.625
10	710-1233	Screw, 10-24 x 1.375
11	710-3069	Screw, 1/4-20 x .50
12	712-04064	Nut, Flange Lock, 1/4-20
13	712-04081A	Nut, Hex, 1/4-20
14	914-0145	Click Pin, .092 x 1.64
15	720-04039	Shift Knob
16	725-0157	Cable Tie, 7"
17	725-1629	Lamp, 12.8V
—	725-1629	Lamp
18	710-0572	Screw, Carriage, 5/16-48 x 2.25
19	725-04393	Heated Grip Switch
20	925-1649	Lamp Socket

Ref.	Part Number	Description
21	725-05149	Heated Grip
—	720-0274	Grip
22	926-0154	Cable Tie, Push Mount
23	731-04894D	Plate, Lock
24	731-04896B	Cam, Clutch Lock
25	732-0193	Compression Spring, .39 x .60 x .88
26	732-04219C	Clutch Lock Spring
27	732-04238	Torsion Spring, 0.8156 x .3038
28	935-0199A	Rubber Bumper
29	936-0267	Washer, Flat, .385 x .87
30	738-04125	Screw, Shield, .374 x 1.05
31	738-04348	Screw, Shoulder, .437 x 1.345 x 1/4-20
32	946-04396A	Speed Selector Cable
33	790-00248B	Panel Bracket
34	790-00311A	Shift Lever
35	735-0284	Wing Knob
36	749-04138A	Lower Handle
37	749-04190A	Upper RH Handle
38	749-04191A	Upper LH Handle
39	731-05319	Lens Panel, Troy-Bilt
40	777X41805	Lens Label, Troy-Bilt
	729-04035	Amp Connector, Not Shown

Auger & Auger Housing



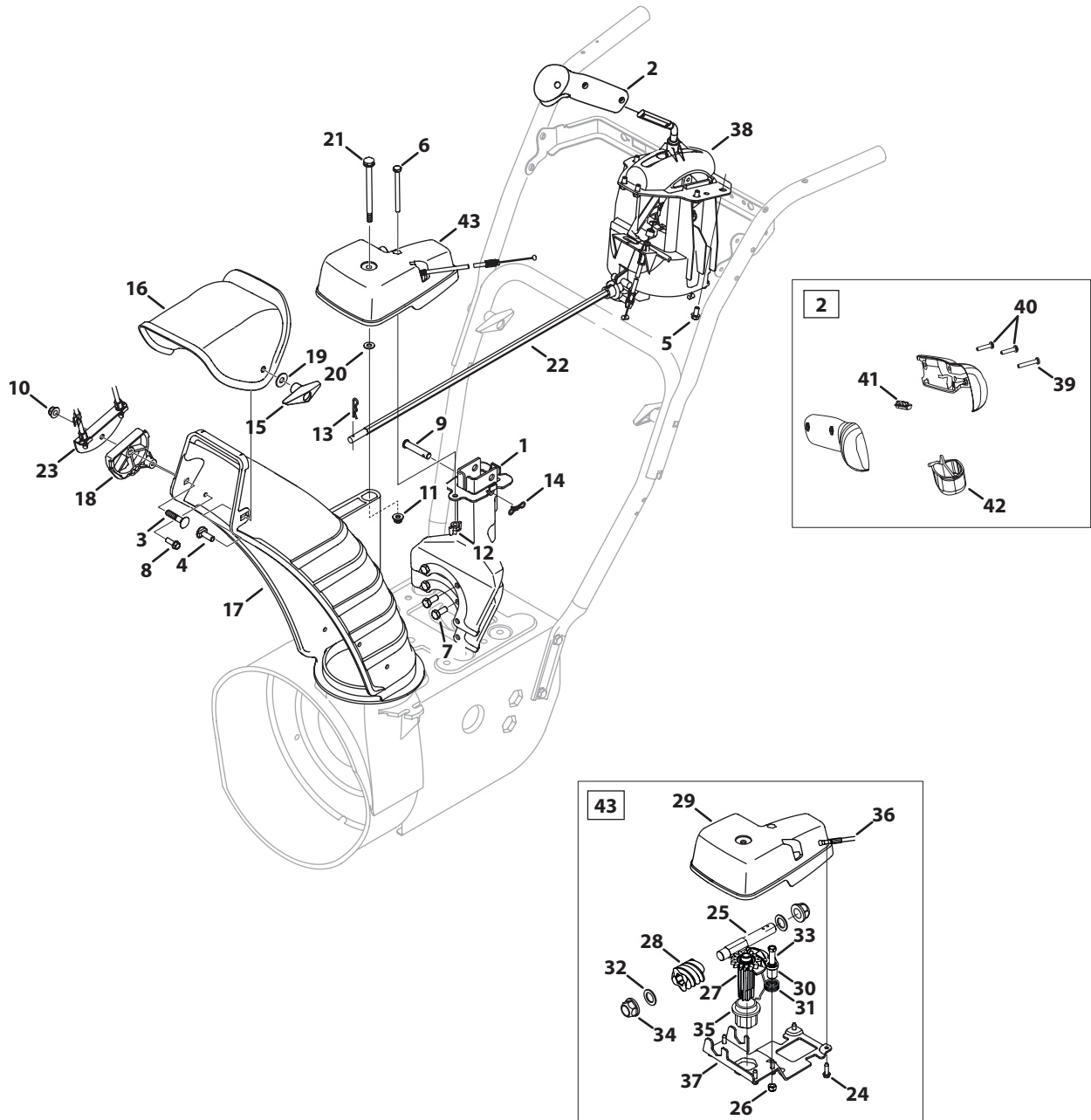
* 30" models only

Auger & Auger Housing

Ref.	Part Number	Description
1	731-2635	Cleanout Tool Mount
2	684-04057A	Impeller Assembly, 12"
3	710-0347	Hex Screw, 3/8-16 x 1.75
4	710-04484	Hex Washer Screw, 5/16-18 x .750
5	710-0451	Carriage Bolt, 5/16-18 x .750
6	712-04063	Flange Lock Nut, 5/16-18
7	712-04065	Flange Lock Nut, 3/8-16
8	714-04040	Bow-Tie Cotter Pin
9	725-0157	Cable Tie, 3/16 x .05 x 7.4
10	926-04012	Push Nut, .25 Dia.
11	732-04460	Extension Spring
12	736-0174	Wave Washer, .625 x .885 x .015
13	736-0242	Bell Washer, .340 x .872 x .060
14	731-2643	Chute Cleanout Tool
15	738-0143	Shoulder Bolt, .496 x .336 x 3/8-16
16	938-0281	Shoulder Screw, .625 x .17 x 3/8-16
17	738-04124A	Shear Pin, .25 x 1.50
18	941-0245	Hex Flange Bearing, .75 ID
19	941-0309	Ball Bearing, .75 ID x 1.85 OD
20	756-04224	Idler Pulley, 2.75 OD
21	790-00075	Bearing Housing, 1.85 ID
22	790-00080A	Auger Idler Bracket
23	929-0071A	Extension Cord (Electric Start Only)
24	784-5580	Skid Shoe
25	790-00091	Deluxe Skid Shoe
26	710-0703	Carriage Screw, 1/4-20 x .75
27	712-04064	Flange Lock Nut, 1/4-20
28	731-04705D	Chute Adapter, 5"
—	731-07525	Chute Adapter, 5" (4-way)
—	731-07117	Chute Adapter, 5" (side crank)
29	710-0276	Carriage Screw, 5/16-18 x 1.00
30	936-0159	Flat Washer, .349 x .879 x .063
31	941-0475	Plastic Bushing, .380 ID
32	784-5647	Chute Crank Bracket
33*	731-04871	Spacer, 1.250 x .75 ID x 3/16 LG
34	710-04071	Carriage Bolt, 5/16-18 x 1.00
35	918-04170B	Gearbox Assembly, 22"
—	918-04171B	Gearbox Assembly, 24"
—	918-04172B	Gearbox Assembly, 26"
—	918-04173A	Gearbox Assembly, 28"
—	918-04165A	Gearbox Assembly, 30"
36	684-04107	Spiral Assembly, LH

Ref.	Part Number	Description
37	684-04108	Spiral Assembly, RH
38	684-04266	Auger Housing Assembly, 22"
—	684-04265	Auger Housing Assembly, 24"
—	684-04270	Auger Housing Assembly, 24" (T-B)
—	684-04264	Auger Housing Assembly, 26"
—	684-04271	Auger Housing Assembly, 26" (T-B)
—	684-04268	Auger Housing Assembly, 28"
—	684-04272	Auger Housing Assembly, 28" (T-B)
—	684-04267	Auger Housing Assembly, 30"
39	731-04870	Spacer, 1.2500 x .75 ID x 1.00
40	736-0188	Flat Washer, .76 x 1.49 x .06
41	741-0493A	Flange Bushing, .800 ID x .910 OD
42	790-00087A	Bearing Housing, 1"
43	790-00117	Shave Plate, 22"
—	790-00120	Shave Plate, 24"
—	790-00121	Shave Plate, 26"
—	790-00118	Shave Plate, 28"
—	790-00119	Shave Plate, 30"
44	918-0123A	Housing Assembly, RH
45	918-0124A	Housing Assembly, LH
46	710-0642	Hex Washer Screw, 1/4-20 x .750
47	711-04286	Auger Axle, 22"
—	711-04285	Auger Axle, 24"
—	711-04284	Auger Axle, 26"
—	711-04283	Auger Axle, 28"
—	711-04282	Auger Axle, 30"
48	914-0161	Hi-Pro Key
49	715-04021	Dowel Pin, .25 OD x 1.25 LG
50	917-04126	Worm Shaft, .75 OD
51	717-04449	Worm Gear 20 T, 24" & 26"
—	917-0528A	Worm Gear 20 T, 28"&30"
52	718-04071	Thrust Collar, .756 ID x .600
53	721-0325	Plug, 1/4 x .437
54	721-0327	Oil Seal, .75 x 1.131 x .188
55	936-0351	Flat Washer, .760 ID x 1.50 ID
56	736-3084	Flat Washer, .51 x 1.12 x .06
57	741-0662	Flange Bearing, .75 ID x 1.0 OD x .59
58	741-0663	Flange Bearing, .50 ID x .75 OD x .59
59	746-04230	Auger Drive Cable
60	936-0159	Washer, Flat, .349 x .879
61	731-05984A	Slide Shoe, Poly
62	710-0276	Carriage Screw, 5/16-18 x 1.00

2-Way & 4-Way Extended Chute

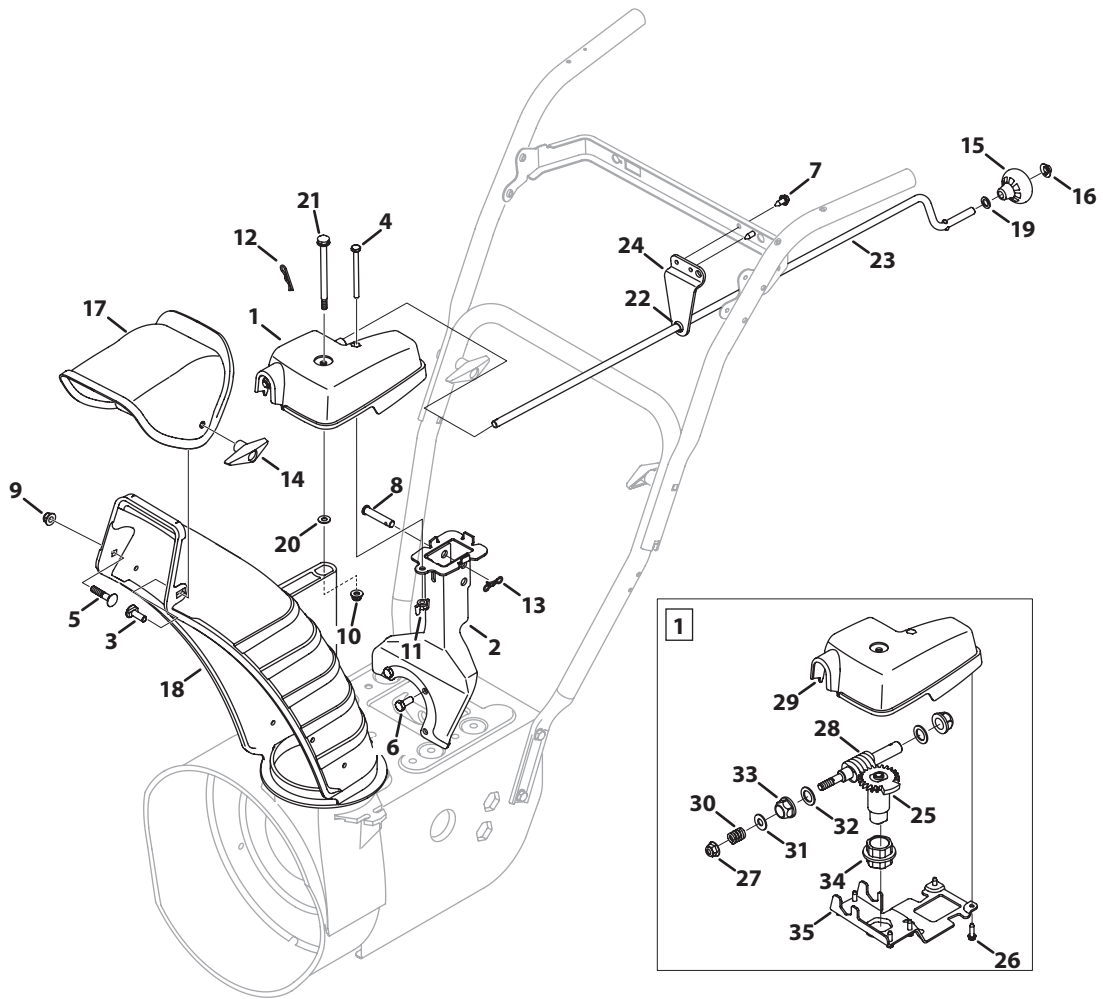


2-Way & 4-Way Extended Chute

Ref.	Part Number	Description
1	684-04310A	Chute Support Bracket (lrg. block)
—	684-04311A	Chute Support Bracket (small block)
2	753-06151	Chute Control, 4-Way
—	753-06154	Chute Control, 2-Way
3	710-0262	Bolt, Carriage, 5/16-18 x 1.50, 4-Way
—	710-0451	Bolt, Carriage, 5/16-18 x .750, 2-Way
4	710-04071	Bolt, Carrier, 5/16-18 x 1.00
5	710-04187	Screw, Hi-Lo, 1/4-15 x 0.50
6	710-04370	Hex Head Screw, 1/4-20 x 3.00
7	710-0627	Hex Head Screw, 5/16-24 x .750
8	710-0895	Screw, Hi-Lo, 1/4-15 x 0.750
9	711-04469A	Clevis Pin, 3/8 x 1.87
10	712-04063	Nut, Flange Lock, 5/16-18
11	712-04064	Nut, Flange Lock, 1/4-20
12	712-3087	Wing Nut, 1/4-20
13	914-0101	Internal Cotter Pin
14	714-04040	Bow-Tie Cotter Pin
15	720-0284	Wing Knob, 5/16-18
16	731-04427A	Chute, Upper, 4-Way
—	731-04426A	Chute, Upper, 2-Way
17	731-06440A	Chute, Lower
18	731-06451	Cable Guide, Chute Tilt
19	936-0159	Washer, Flat, .349 x .879
20	736-04446	Washer, Flat, .25 x .630

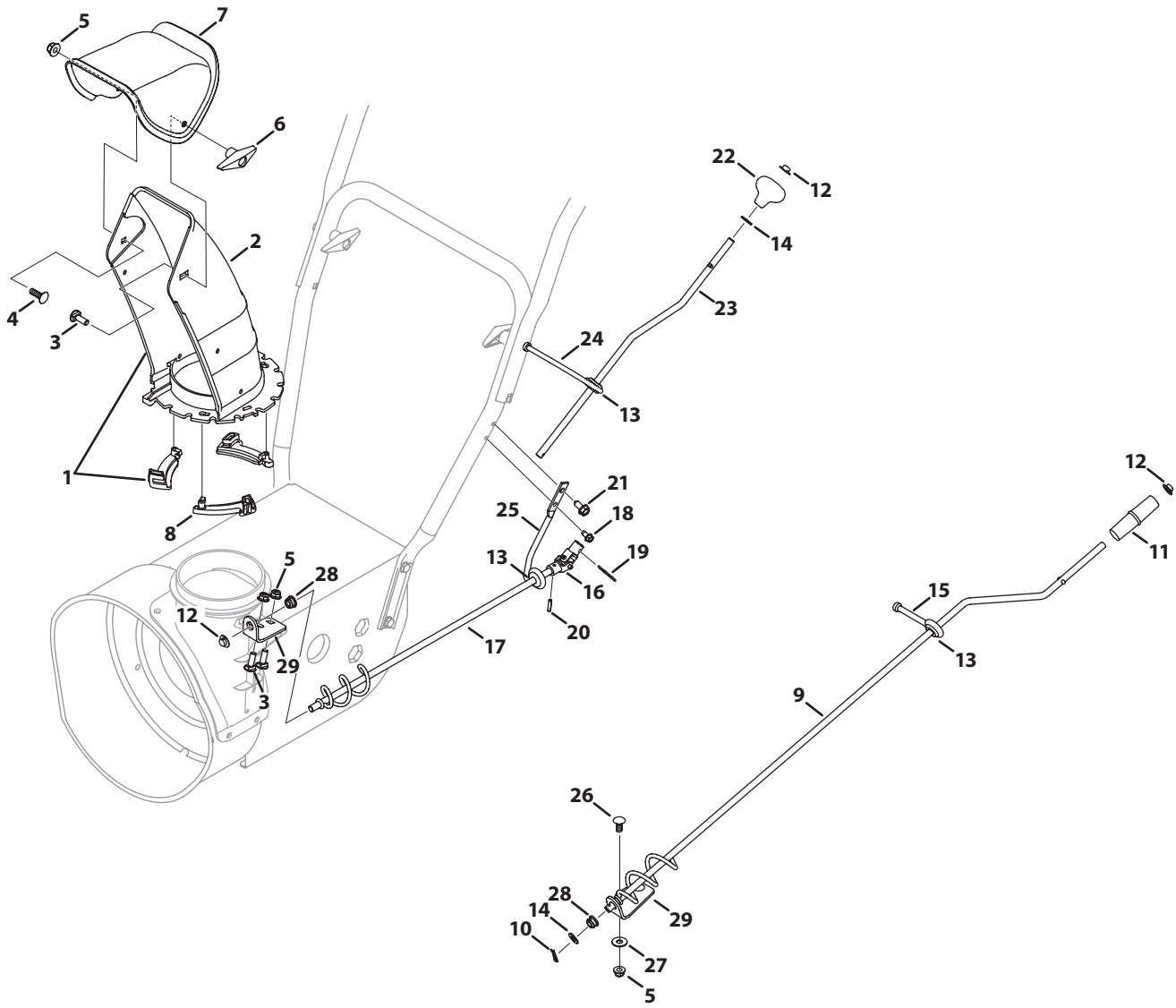
Ref.	Part Number	Description
21	738-04367	Screw, Shoulder, .312 x 3.5 x 1/4-20
22	747-05116	Chute Rod, 3/8 Hex
23	784-5594	Cable Bracket
24	710-04373A	Screw, 12-16 x .75
25	711-05186	Hex Shaft
26	712-0896	Hexlock Nut, 1/4-28
27	717-04667	Gear, 14 T
28	717-04672	Worm
29	731-06906	Gear Cover
30	731-06943	Pawl Lock
31	732-04638B	Torsion Spring, .721 ID x .474
32	736-0290	Washer, Flat, .625 x 1.0 x .067
33	738-04391	Screw, Shoulder, .34 x .95 x 1/4-28
34	941-0225	Hex Bearing
35	741-04388	Flange Bearing
36	946-04619B	Cable Lock
37	790-00342A	Gear Bracket
38	984-04338	Chute Control, 4-Way
—	984-04348	Chute Control, 2-Way
39	710-04353	Screw, #8 x 1.00
40	710-04879	Screw, 8-32 x .750
41	731-04893A	Joystick Plug
42	731-07031	Joystick Trigger
43	918-04801A	Chute Rotation Gearbox

Extended Chute



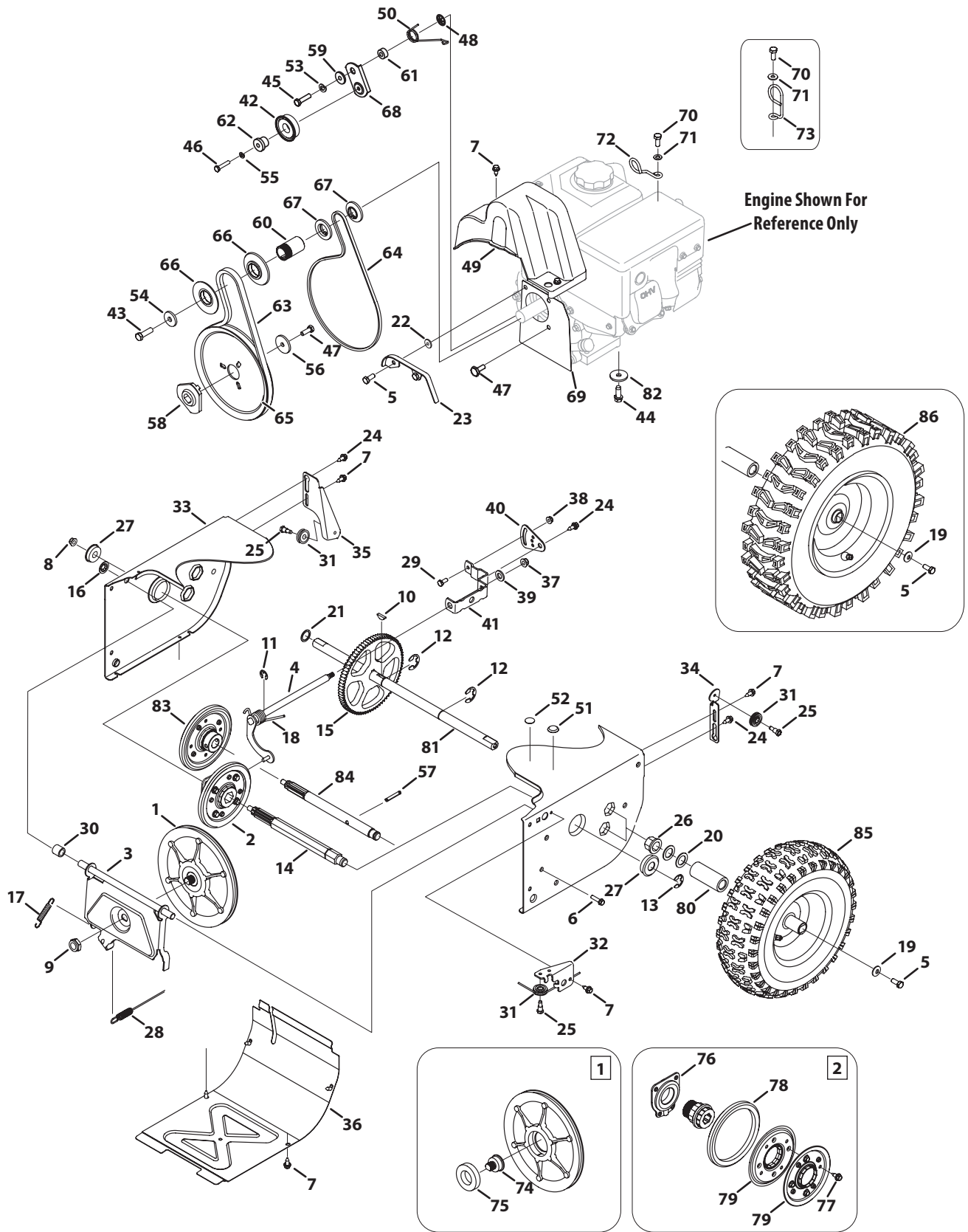
Ref.	Part Number	Description
1	918-04933	Chute Rotation Gear Box
2	684-04310A	Chute Support Bracket
3	710-04071	Carriage Bolt, 5/16-18 x 1.00
4	710-04370	Hex Screw, 1/4-20 x 3.00
5	710-0451	Carriage Bolt, 5/16-18 x .750
6	710-0627	Hex Lock Screw, 5/16-24 x .750
7	710-1652	Hex Washer Screw, 1/4-20 x .625
8	711-04469A	Clevis Pin, 3/8-1.87
9	712-04063	Flange Lock Nut, 5/16-18
10	712-04064	Flange Lock Nut, 1/4-20
11	712-3087	Wing Nut, 1/4-20
12	914-0101	Cotter Pin, .08 x 1.42
13	714-04040	Bow-tie Cotter Pin
14	720-0284	Wing Knob, 5/16-18
15	720-04102	Shift Knob, .390
16	926-0100	Push Cap, 3/8
17	731-04426A	Upper Chute
18	731-06440A	Lower Chute, 5.0
19	936-0185	Flat Washer, .375 x .738 x .063
20	736-04446	Flaw Washer, .25 x .630 x .0515
21	738-04367	Shoulder Screw, .312 x 3.5 x 1/4-20
22	941-0475	Plastic Bushing, .380 ID
23	747-05386	Chute Crank
24	790-00341	Support Rod Bracket
25	684-04336A	Gear Assembly
26	710-04373A	Screw, 12-16 x .75
27	712-04065	Flange Lock Nut, 3/8-16
28	917-04636	Worm Shaft
29	731-06618	Gear Cover
30	732-0193	Compression Spring, .39 x .60 x .88
31	936-0267	Flat Washer, .385 x .87 x .06
32	736-0290	Flat Washer, .625 x 1.0 x .067
33	941-0225	Hex Bearing
34	741-04354	Flange Bearing
35	790-00342A	Gear Bracket

Standard 2-Way Chute



Ref.	Part Number	Description
1	631-04131B	Lower Chute Assembly
2	731-04912B	Lower Chute
3	710-04071	Carriage Bolt, 5/16-18 x 1.00
4	710-0451	Carriage Bolt, 5/16-18 x .750
5	712-04063	Flange Lock Nut, 5/16-18
6	720-0284	Wing Knob
7	731-04426A	Upper Chute
8	731-04869A	Flange Keeper
9	684-04104	Chute Crank
10	914-0104	Cotter Pin, .072 x 1.13
11	720-0201A	Crank Knob
12	926-0100	Push Cap, 3/8
13	735-0234	Rubber Grommet
14	936-0185	Flat Washer, .375 x .738 x .063
15	747-04263	Eye Bolt
16	684-04350	Joint Assembly
17	684-04351	Chute Crank
18	710-0599	Taptite Screw, 1/4-20 x .500
19	914-0101	Cotter Pin, .08 x 1.42
20	715-04095	Pin, .156 x .875
21	710-04484	Taptite Screw, 5/16-18 x 2.25
22	720-04102	Shift Knob
23	747-05154	Upper Chute Rod
24	747-05157	Chute Rod Eye Bolt
25	747-05159	Lower Chute Rod
26	710-0276	Carriage Screw, 5/16-18 x 1.00
27	936-0159	Flat Washer, .349 x .879 x .063
28	941-0475	Plastic Bushing, .380 ID
29	784-5647	Chute Crank Bracket

Drive System



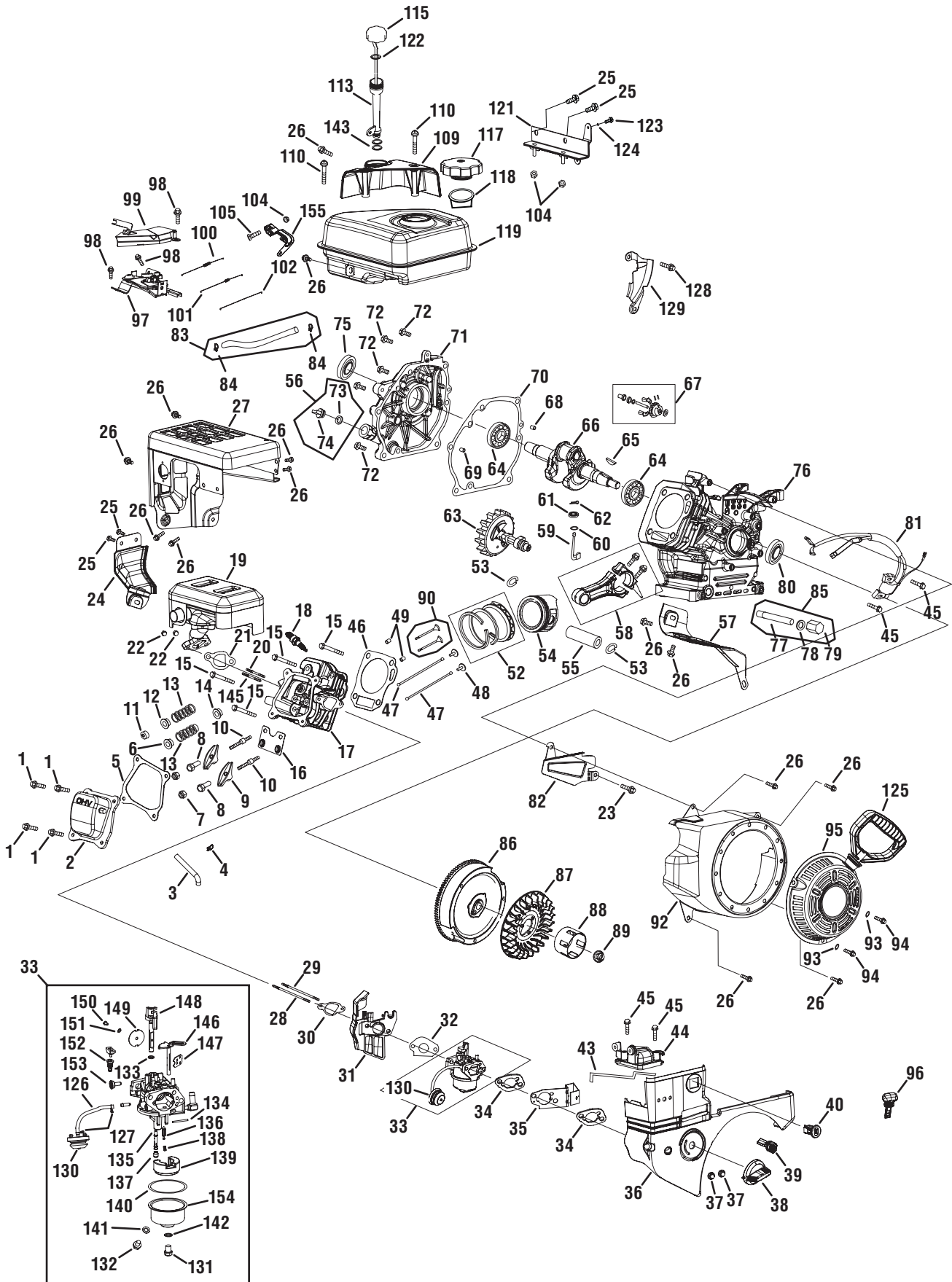
Ref.	Part Number	Description	Ref.	Part Number	Description
1	656-04055	Disc Assembly, Friction Wheel	40	790-00217A	Speed Selector Pivot Bracket
2	684-04153	Friction Wheel Assembly, 5.5 OD	41	790-00218A	Speed Selector Shift Bracket
3	684-04154B	Friction Wheel Support Bracket	42	684-04169	Idler Pulley Assembly
4	684-04156A	Rod Shift Assembly	43	710-0191	Hex Screw, 3/8-24 x 1.25
5	710-0627	Hex Head Screw, 5/16-24 x .750	44	710-0654A	Sems Screw, 3/8-16 x 1.00
6	710-0788	Taptite Screw, 1/4-20 x 1.000	45	710-0672	Hex Screw, 5/16-24 x 1.25
7	710-1652	Taptite Screw, 1/4-20 x .625	46	710-0809	Hex Screw, 1/4-20 x 1.25
8	712-04065	Flange Lock Nut, 3/8-16	47	738-04439	Shoulder Screw, 5/16-24 x .5
9	712-0417A	Flange Nut, 5/8-18	48	926-04012	Push-on Nut, .25 Dia.
10	914-0126	Hi-pro Key, 3/16 x 3/4 Dia.	49	731-06401	Belt Cover, 4-Way Irg. block
11	916-0104	E-Ring	—	731-05353	Belt Cover, 4-Way
12	716-0136	Retaining E-Ring, .875 Dia.	—	731-04792A	Belt Cover, Standard
13	916-0231	E-Ring, .750 Dia.	50	732-04308A	Torsion Spring, .850 ID x .333
14	917-04209A	Hex Shaft, 7-Tooth	51	735-04099	Plug, 3/8 ID
15	917-04230	Gear, 80-Tooth	52	735-04100	Plug, 1/2 ID
16	726-0221	Speed Nut, .500	53	936-0119	Lock Washer, 5/16
17	932-0264	Extension Spring	54	736-0247	Flat Washer, .406 x 1.25 x .157
18	732-04311	Torsion Spring, .750 x .968	55	936-0329	Washer, Lock, 1/4
19	736-0242	Bell Washer, .340 x .872 x .060	56	736-0505	Flat Washer, .34 x 1.50 x .150
20	936-0287	Flat Washer, .793 x 1.24 x .060	57	715-04020	Pin, Spirol, 2.5"
21	736-04161	Flat Washer, .75 x 1.00 x .060	58	748-04053A	Adapter Pulley, .75 Dia.
22	936-0140	Washer, Flat, .385 x .62 x .063	59	748-04112B	Shoulder Spacer, .3175 x .5 x .0975
23	731-07101	Belt Cover	60	750-04303	Spacer, .875 ID x 1.185 OD
24	738-04184A	Shoulder Screw, .368 x .113, 1/4-20	61	750-04477A	Spacer, .340 x .750 x .330
25	738-0924A	Shoulder Screw, 1/4-28, .340 x .355	62	750-04571	Shoulder Space, .260 x .785 x .538
26	941-0245	Hex Flange Bearing	63	954-04195	Auger Drive Belt, 4-Way Irg. block
27	941-0563	Ball Bearing, 17 x 40 x 12	—	954-04050	Auger Drive Belt, Standard
28	746-04229	Wheel Clutch Cable, 44.95"	64	954-04201A	Wheel Drive Belt, 4-Way Irg. block
29	710-0751	Hex Head Screw, 1/4-20 x .620	—	954-04260	Wheel Drive Belt, Standard
30	748-0190	Spacer, .508 ID x .75 OD x .68	65	756-04109	Auger Drive Pulley, 8.1 x .5
31	756-0625	Cable Roller	66	756-04113	Pulley Half, 2.600 OD
32	790-00096	Auger Cable Front Guide Bracket	67	756-04252	Pulley Half, 3/8 x 1.716 OD
33	790-00180A	Frame	68	790-00208C	Wheel Drive Idler Bracket
34	790-00206A	Auger Cable Guide Bracket	69	790-00332	Cover Plate, 4-Way Irg. block
35	790-00207B	Drive Cable Guide Bracket	—	790-00289A	Cover Plate, Standard
36	790-00316	Frame Cover	70	710-04022	Hex Head Screw, 1.25 x 20
37	712-04063	Flange Lock Nut, 5/16-18	71	936-0264	Washer, Flat, .330 x .630 x .0635
38	712-04064	Flange Lock Nut, 1/4-20	72	732-04677	Cable Guide
39	936-3015	Washer, Flat, .469 x .875 x .105	73	732-0705	Cable Guide

Cont'd on next page

Drive System

Ref.	Part Number	Description
74	738-04164A	Friction Disc Bearing Pin
75	741-04098	Ball Bearing, 30 x 55 x 13
76	618-0063A	Bearing Assembly
77	710-0896	Screw, 1/4-14 x .625
78	935-04054	Friction Wheel Rubber
79	790-00174	Friction Wheel Plate
80	731-04873	Spacer, 1.25 x .75 x 3.0
81	938-04168	Axle, .75 x 22
82	736-0320	Washer, Flat, .38 x 1.38 x .125
83	684-04360	Friction Wheel Ass'y, Single-Speed
84	717-04793	Shaft, Single-Speed
85	634-04144A-0911	Snow Hog Wheel, 13 x 4 x 6
—	634-04142A-0911	Snow Hog Wheel, 15 x 5 x 6
—	634-04141-0911	Snow Hog Wheel, 15 x 4.8
86	634-04167A-0911	X-Trac Wheel, 13 x 4 x 6, LH
—	634-04168A-0911	X-Trac Wheel, 13 x 4 x 6, RH
—	634-04147A-0911	X-Trac Wheel, 15 x 5 x 6, LH
—	634-04148A-0911	X-Trac Wheel, 15 x 5 x 6, RH
—	634-04145-0911	X-Trac Wheel, 16 x 4.8 x 8, LH
—	634-04146-0911	X-Trac Wheel, 16 x 4.8 x 8, RH

179 cc 165 SUB Engine



179 cc 165 SUB Engine

Ref. No.	Part No.	Description	Ref. No.	Part No.	Description
1	710-04968	Bolt	70	951-11371	Crankcase Cover Gasket
2	951-11054	Valve Cover	72	710-04932	Cover Bolt
3	731-07059	Breather Hose	75	951-11368	Oil Seal
4	726-04101	Hose Clamp	78	736-04440	Washer
7	751-11124	Pivot Locking Nut	80	951-11370	Oil Seal
8	751-11123	Valve Adjusting Nut	81	951-10646	Ignition Coil
10	710-04902	Pivot Bolt	82	951-11110	Air Flow Shield
15	710-04933	Bolt	83	951-10650	Fuel Line Kit (incl. clmps and fuel line)
18	951-10292	Spark Plug	84	951-11731	Hose Clamp
19	951-11282	Muffler Assembly	85	951-10641	Oil Drain Ass'y, includes 77, 78, 79
20	710-05001	Stud	86	951-10805	Flywheel
21	951-11289	Muffler Gasket	87	951-10934	Cooling Fan
22	712-04214	Nut	88	951-10911	Starter Cup
23	710-04940	Bolt	89	712-04209	Nut
24	951-11111	Exhaust Pipe Shield	90	951-10647	Valve Kit (incl. intk and exhst valve)
25	710-04914	Bolt	92	951-11509	Blower Housing
26	710-04915	Bolt	93	736-04455	Washer
27	951-10642A	Muffler Shroud	94	710-04974	Bolt
28	710-04939	Stud, M6 x117	95	951-10658	Recoil Starter Assembly
29	710-04910	Stud, M6 x 105	96	731-05632	Ignition Key
33	951-10974A	Carburetor Assembly	97	951-10758	Throttle Control Assembly
35	951-11112	Choke Control Bracket	98	710-05103	Bolt
36	951-10634	Engine Shroud	99	951-11108	Governor Shield
37	712-04213	Nut	100	951-11935	Governor Spring
38	951-11284	Choke Knob	101	951-10664	Throttle Return Spring
39	951-10757	Throttle Control Knob	102	951-10665	Governor Rod
40	951-10637	Ignition Switch	104	712-04212	Nut
43	951-10640	Choke Push Rod	105	710-04908	Bolt
44	951-10635	Heater Box	109	951-11914	Engine/Dipstick Cover
45	710-04919	Bolt	110	710-04905	Bolt
47	951-10648	Push Rod Kit (incl. intk and exhst rod)	113	951-11913	Dipstick Tube
49	715-04090	Dowel Pin	115	951-11912	Dipstick
57	951-11113	Air Shield	117	951-10649	Fuel Cap Assembly
59	951-11356	Governor Arm Shaft	118	951-11933	Fuel Level Indicator
60	736-04461	Washer	119	951-10653B	Fuel Tank
62	714-04074	Cotter Pin	121	951-11114	Switch Housing MTG Bracket
64	951-11369	Radial Ball Bearing	122	951-11904	O-Ring
65	951-10307	Flywheel Key	123	710-05197	Bolt
68	715-04092	Dowel Pin, 7 x 14	124	736-04526	Washer
69	715-04096	Dowel Pin, 9 x 14	125	731-05696	Starter Handle

179 cc 165 SUB Engine

Ref. No.	Part No.	Description
128	710-04918	Bolt
129	951-11109	Blower Housing Shield
130	951-10639A	Primer
131	710-04945	Bolt
132	710-04938	Drain Bolt
143	951-11903	O-Ring
155	951-11106	Governor Arm Bracket
—	951-10651	Fuel Tank Nipple (Not Shown)
—	952Z165-SUB-10	Engine, Complete
33	951-10974A	Carburetor Assembly
126	951-11905	Primer Hose
127	951-11906	Hose Clamp
130	951-10639A	Primer (includes primer bulb)
—	951-11824	Primer Bulb
131	710-04945	Bolt
132	710-04938	Drain Bolt
133	—	Gasket, Throttle Plate
134	—	Float Pin
135	—	Emulsion Tube
136	—	Needle Valve
137	—	Main Jet
138	—	Needle Valve Spring
139	—	Float
140	951-11589	Fuel Bowl Gasket
141	951-11349	Fuel Drain Plug Gasket
142	951-11348	Fuel Bowl Gasket
146	—	Choke Shaft
147	—	Choke Plate
148	—	Throttle Shaft
149	—	Throttle Plate
150	—	Screw, M3×5
151	—	Lock Washer
152	—	Idle Jet Assembly
153	—	Idle Speed Adjusting Screw
154	—	Fuel Bowl
56	951-11283	Oil Fill Plug Assembly
73	951-11577	O-Ring
74	—	Oil Fill Plug

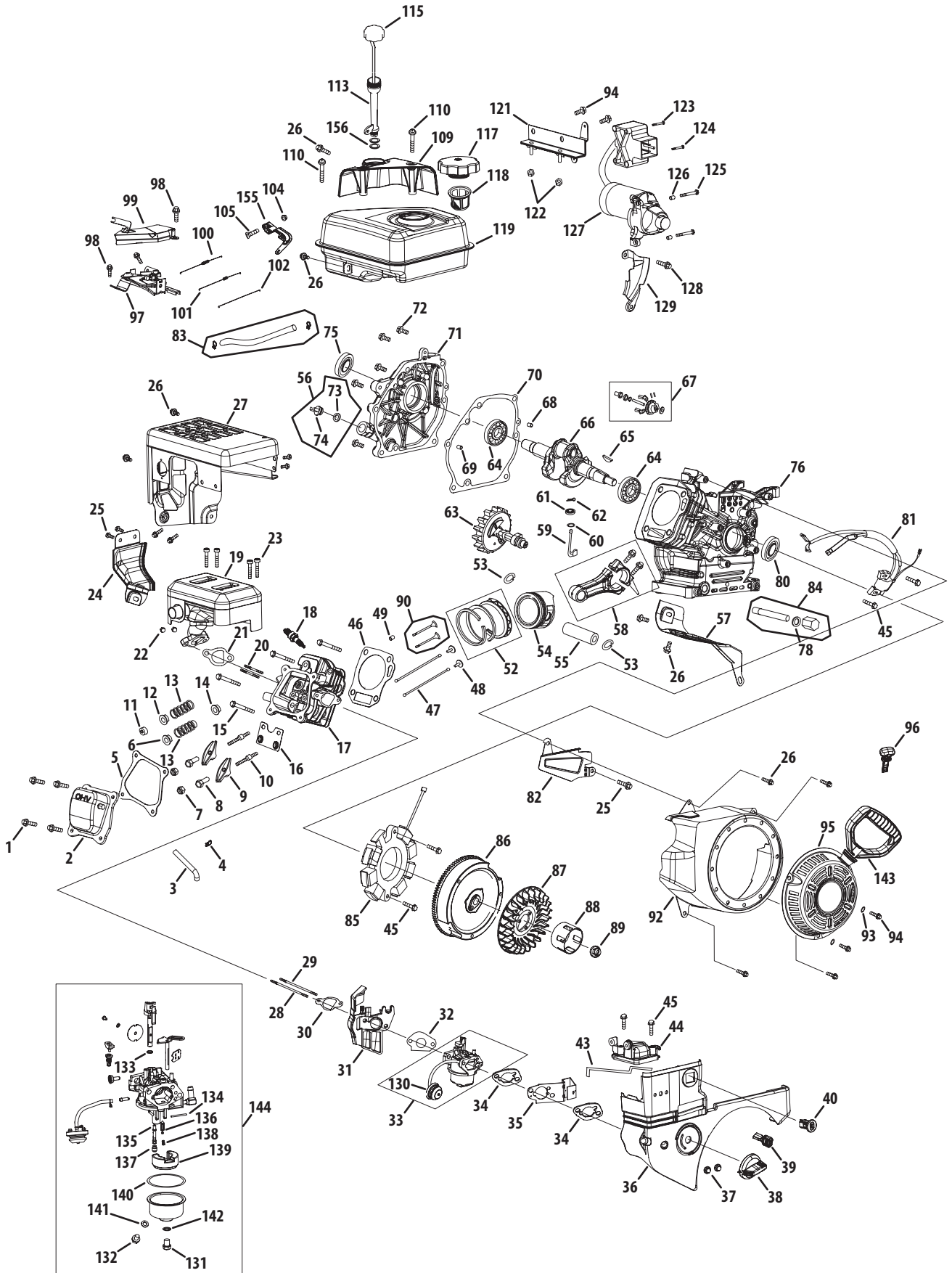
Ref. No.	Part No.	Description
—	951-11061A	Gasket Kit, Complete (Not Shown)
5	951-11565	Head Cover Gasket
21	951-11289	Muffler Gasket
30	951-11567	Carburetor Insulator Gasket
31	951-11896	Carburetor Insulator Plate
32	951-11569A	Carburetor Gasket
34	951-11897	Carburetor Gasket Plate
46	951-11898	Cylinder Head Gasket
60	736-04461	Washer
61	951-11902	Governor Seal
62	714-04074	Cotter Pin
70	951-11371	Crankcase Cover Gasket
75	951-11368	Oil Seal
78	736-04440	Washer
80	951-11370	Oil Seal
—	951-10722A	Cylinder Head Ass'y (Not Shown)
5	951-11565	Head Cover Gasket
6	951-12000	Intake Valve Spring Seat
7	751-11124	Pivot Locking Nut
8	751-11123	Valve Adjusting Nut
9	951-11893	Rocker Arm
10	710-04902	Pivot Bolt
11	951-12002	Exhaust Valve Adjuster
12	951-12003	Exhaust Valve Spring Seat
13	951-12004	Valve Spring
14	951-11894	Intake Valve Seal
16	951-11895	Push Rod Guide Plate
17	—	Cylinder Head - Complete
21	951-11289	Muffler Gasket
30	951-11567	Carburetor Insulator Gasket
31	951-11896	Carburetor Insulator Plate
46	951-11898	Cylinder Head Gasket
90	951-10647	Valve Kit
—	951-11248A	Crankcase Kit (Not Shown)
61	951-11902	Governor Seal
64	951-11369	Radial Ball Bearing
70	951-11371	Crankcase Cover Gasket
76	—	Crankcase
80	951-11370	Oil Seal

179 cc 165 SUB Engine

Ref. No.	Part No.	Description
—	951-11020	Carburetor Kit, Major (Not Shown)
133	—	Gasket, Throttle Plate
134	—	Float Pin
135	—	Emulsion Tube
136	—	Needle Valve
137	—	Main Jet
138	—	Needle Valve Spring
139	—	Float
140	951-11589	Fuel Bowl Gasket
141	951-11349	Fuel Drain Plug Gasket
142	951-11348	Fuel Bowl Gasket
—	951-10661B	Gasket Kit, External (Not Shown)
5	951-11565	Head Cover Gasket
21	951-11289	Muffler Gasket
30	951-11567	Carburetor Insulator Gasket
31	951-11896	Carburetor Insulator Plate
32	951-11569A	Carburetor Gasket
34	951-11897	Carburetor Gasket Plate
78	736-04440	Washer
—	951-11246	Crankcase Cover Kit (Not Shown)
64	951-11369	Radial Ball Bearing
70	951-11371	Crankcase Cover Gasket
71	—	Case Cover
72	710-04932	Cover Bolt
73	951-11577	O-Ring
74	—	Oil Fill Plug
75	951-11368	Oil Seal
—	951-11247A	Crankshaft Kit (Not Shown)
64	951-11369	Radial Ball Bearing
65	951-10307	Flywheel Key
66	—	Crankshaft Assembly
75	951-11368	Oil Seal
80	951-11370	Oil Seal
—	951-11063	Valve Cover Kit (Not Shown)
2	951-11054	Valve Cover
5	951-11565	Head Cover Gasket
—	951-11913	Oil Fill Tube Assembly
113	951-11913	Dipstick Tube
143	951-11903	O-Ring

Ref. No.	Part No.	Description
—	951-11062A	Short Block Assembly (Not Shown)
5	951-11565	Head Cover Gasket
21	951-11289	Muffler Gasket
30	951-11567	Carburetor Insulator Gasket
31	951-11896	Carburetor Insulator Plate
46	951-11898	Cylinder Head Gasket
48	951-11899	Tappet
49	715-04090	Dowel Pin
52	951-11553	Piston Ring Set
53	951-11632	Piston Pin Snap Ring
54	951-11900	Piston
55	951-11901	Piston Pin
58	951-11573	Connecting Rod Assembly
59	951-11356	Governor Arm Shaft
60	736-04461	Washer
61	951-11902	Governor Seal
62	714-04074	Cotter Pin
63	951-11575	Camshaft Assembly
64	951-11369	Radial Ball Bearing
65	951-10307	Flywheel Key
66	—	Crankshaft Assembly
67	951-11576	Governor Gear/Shaft Assembly
68	715-04092	Dowel Pin, 7 x 14
69	715-04096	Dowel Pin, 9 x 14
70	951-11371	Crankcase Cover Gasket
71	—	Cover Complete, Left Crankcase
72	710-04932	Cover Bolt
73	951-11577	O-Ring
74	—	Oil Fill Plug
75	951-11368	Oil Seal
76	—	Crankcase
77	951-11350	Oil Drain Pipe
78	736-04440	Washer
79	710-04906	Oil Drain Plug Washer
80	951-11370	Oil Seal
—	951-11912	Dipstick Assembly
115	951-11912	Dipstick
122	951-11934	O-Ring
145	951-10657	Muffler Stud Assembly
20	710-05001	Stud

179 cc 365-SUB Engine



179 cc 365-SUB Engine

Ref. No.	Part No.	Description
1	951-11012	Bolt
2	951-11054	Valve Cover
3	731-07059	Breather Hose
4	726-04101	Hose Clamp
7	751-11124	Pivot Locking Nut
8	751-11123	Valve Adjusting Nut
10	710-04902	Pivot Bolt
15	710-04933	Bolt
18	951-10292	Spark Plug
19	951-11282	Muffler Assembly
20	710-05001	Stud
21	951-11285	Muffler Gasket
22	712-04214	Nut
23	710-05002	Bolt
24	951-11111	Exhaust Pipe Shield
25	710-04940	Bolt
26	710-04915	Bolt
27	951-10642A	Muffler Shroud
28	710-04939	Stud, M6 x117
29	710-04910	Stud, M6 x 105
33	951-10974	Carburetor Assembly
35	951-11112	Choke Control Bracket
36	951-10634	Engine Shroud
37	712-04213	Nut
38	951-11284	Choke Knob
39	951-10757	Throttle Control Knob
40	951-10637	Ignition Switch
43	951-10640	Choke Push Rod
44	951-10635	Heater Box
45	710-04919	Bolt
47	951-10648	Push Rod Kit
49	715-04090	Dowel Pin
56	951-11283	Oil Fill Plug Assembly
57	951-11113	Air Shield
59	951-11356	Governor Arm Shaft
60	736-04461	Washer
62	714-04078	Cotter Pin
64	751-11369	Radial Ball Bearing
65	951-10307	Flywheel Key
68	715-04092	Dowel Pin, 7 x 14
69	715-04089	Dowel Pin, 9 x 14
70	951-11371	Crankcase Cover Gasket

Ref. No.	Part No.	Description
72	710-04932	Cover Bolt
75	951-11368	Oil Seal
78	736-04440	Washer
80	751-11370	Oil Seal
81	951-10646	Ignition Coil
82	951-11110	Air Flow Shield
83	951-10650	Fuel Line Kit
84	951-10641	Oil Drain Assembly, includes 78
85	951-10719	Stator
86	951-10805	Flywheel
87	951-10909	Cooling Fan
88	951-10911	Starter Cup
89	712-04209	Nut
90	951-10647	Valve Kit
92	951-10663A	Blower Housing
93	736-04455	Washer
94	710-04914	Bolt
95	951-10658	Recoil Starter Assembly
96	731-05632	Ignition Key
97	951-10758	Throttle Control Assembly
98	710-04928	Bolt
99	951-11108	Governor Shield
100	951-10654	Governor Spring
101	951-10664	Throttle Return Spring
102	951-10665	Governor Rod
104	712-04216	Nut
105	710-04929	Bolt
109	951-10662	Engine/Dipstick Cover
110	710-04905	Bolt
113	951-10656	Dipstick Tube
115	951-10655	Dipstick
117	951-10649	Fuel Cap Assembly
118	951-10652	Fuel Filter
119	951-10653A	Fuel Tank
121	951-11114	Switch Housing MTG Bracket
122	712-04212	Nut
123	710-04934	Bolt, M4 x 55
124	710-04935	Bolt, M4 x 60
125	710-04943	Bolt
126	715-04088	Dowel Pin
127	951-10645A	Electric Starter
128	710-05003	Bolt

179 cc 365-SUB Engine

Ref. No.	Part No.	Description
129	951-11109	Blower Housing Shield
130	951-10639	Primer
131	710-04945	Bolt
132	710-04938	Drain Bolt
143	731-05696	Starter Handle
155	951-11106	Governor Arm Bracket
156	951-11380	O-Ring
—	951-11176	Starter Pinion Shaft (Not Shown)
—	951-10651	Fuel Tank Nipple (Not Shown)
—	952Z365-SUB	Engine, Complete
20	951-10657	Muffler Stud Assembly
20	710-05001	Stud
56	951-11283	Oil Fill Plug Assembly
73	—	O-Ring
74	—	Oil Fill Plug
144	951-11020	Carburetor Kit, Major
133	—	Gasket, Throttle Plate
134	—	Float Pin
135	—	Emulsion Tube
136	—	Needle Valve
137	—	Main Jet
138	—	Needle Valve Spring
139	—	Float
140	—	Fuel Bowl Gasket
141	—	Fuel Drain Plug Gasket
142	—	Fuel Bowl Gasket
—	951-11061A	Gasket Kit, Complete
5	—	Head Cover Gasket
21	951-11285	Muffler Gasket
30	—	Carburetor Insulator Gasket
31	—	Carburetor Insulator Plate
32	—	Carburetor Gasket
34	—	Carburetor Gasket Plate
46	—	Cylinder Head Gasket
60	736-04461	Washer
61	—	Governor Seal
62	714-04078	Cotter Pin
70	951-11371	Crankcase Cover Gasket
75	951-11368	Oil Seal
78	736-04440	Washer
80	951-11370	Oil Seal

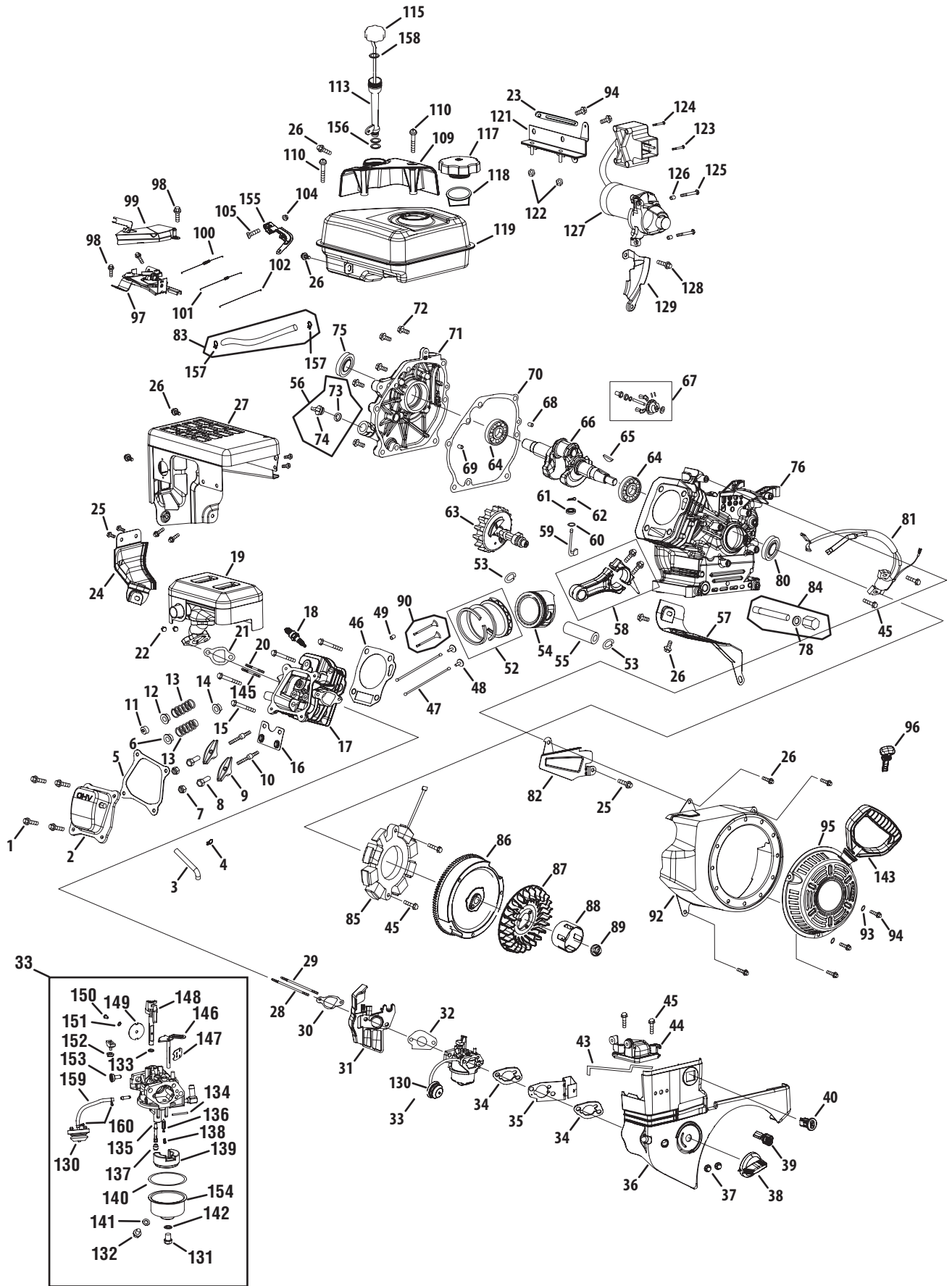
Ref. No.	Part No.	Description
—	951-11062A	Short Block Assembly
5	—	Head Cover Gasket
21	951-11285	Muffler Gasket
30	—	Carburetor Insulator Gasket
31	—	Carburetor Insulator Plate
46	—	Cylinder Head Gasket
48	—	Tappet
49	715-04090	Dowel Pin
52	—	Piston Ring Set
53	—	Piston Pin Snap Ring
54	—	Piston
55	—	Piston Pin
58	—	Connecting Rod Assembly
59	951-11356	Governor Arm Shaft
60	736-04461	Washer
61	—	Governor Seal
62	714-04078	Cotter Pin
63	—	Camshaft Assembly
64	951-11369	Radial Ball Bearing
65	951-10307	Flywheel Key
66	—	Crankshaft Assembly
67	—	Governor Gear/Shaft Assembly
68	715-04092	Dowel Pin
69	715-04089	Dowel Pin
70	951-11371	Crankcase Cover Gasket
71	—	Cover Complete, Left Crankcase
72	710-04932	Bolt
73	—	Oil Filler Plug
74	—	O-Ring
75	951-11368	Oil Seal
76	—	Crankcase
77	—	Oil Drain Pipe
78	736-04440	Washer
79	—	Oil Drain Plug Washer
80	951-11370	Oil Seal
—	951-11248	Crankcase Kit
61	—	Governor Seal
64	951-11369	Radial Ball Bearing
70	951-11371	Crankcase Cover Gasket
76	—	Crankcase
80	951-11370	Oil Seal

179 cc 365-SUB Engine

Ref. No.	Part No.	Description
—	951-11246	Crankcase Cover Kit
64	951-11369	Radial Ball Bearing
70	951-11371	Case Cover Gasket
71	—	Case Cover
72	710-04932	Cover Bolt
73	—	O-Ring
74	—	Oil Fill Plug
75	951-11368	Oil Seal
—	951-10661B	Gasket Kit, External
5	—	Head Cover Gasket
21	951-11285	Muffler Gasket
30	—	Carburetor Insulator Gasket
31	—	Carburetor Insulator Plate
32	—	Carburetor Gasket
34	—	Carburetor Gasket Plate
78	736-04440	Washer
—	951-11247	Crankshaft Kit
64	951-11369	Radial Ball Bearing
65	951-10307	Flywheel Key
66	—	Crankshaft
75	951-11368	Oil Seal
80	951-11370	Oil Seal

Ref. No.	Part No.	Description
—	951-10722A	Cylinder Head Assembly
5	—	Head Cover Gasket
6	—	Intake Valve Spring Seat
7	751-11124	Pivot Locking Nut
8	751-11123	Valve Adjusting Nut
9	—	Rocker Arm
10	710-04902	Pivot Bolt
11	—	Exhaust Valve Adjuster
12	—	Exhaust Valve Spring Seat
13	—	Valve Spring
14	—	Intake Valve Seal
16	—	Push Rod Guide Plate
17	—	Cylinder Head - Complete
21	951-11285	Muffler Gasket
30	—	Carburetor Insulator Gasket
31	—	Carburetor Insulator Plate
46	—	Cylinder Head Gasket
90	951-10647	Valve Kit
33	951-10974	Carburetor Assembly
130	951-10639	Primer
—	951-11063	Valve Cover Kit (Not Shown)
2	951-11054	Valve Cover
5	—	Head Cover Gasket

208 cc 370-SUB Engine



Ref. No.	Part No.	Description
1	710-04968	Bolt
2	951-11054	Valve Cover
3	731-07059	Breather Hose
4	726-04101	Hose Clamp
7	751-11124	Pivot Locking Nut
8	751-11123	Valve Adjusting Nut
10	710-04902	Pivot Bolt
15	710-04933	Bolt
18	951-10292	Spark Plug
19	951-11282	Muffler Assembly
20	710-05001	Stud
21	951-11289	Muffler Gasket
22	712-04214	Nut
23	951-11680	Wire Clip
24	951-11111	Exhaust Pipe Shield
25	710-04940	Bolt
26	710-04915	Bolt
27	951-10642A	Muffler Shroud
28	710-04939	Stud, M6 x117
29	710-04910	Stud, M6 x 105
33	951-10638A	Carburetor Assembly
35	951-11112	Choke Control Bracket
36	951-10634	Engine Shroud
37	712-04213	Nut
38	951-11284	Choke Knob
39	951-10757	Throttle Control Knob
40	951-10637	Ignition Switch
43	951-10640	Choke Push Rod
44	951-10635	Heater Box
45	710-04919	Bolt
47	951-10648	Push Rod Kit
49	715-04090	Dowel Pin
56	951-11283	Oil Fill Plug Assembly
57	951-11113	Air Shield
59	951-11356	Governor Arm Shaft
60	736-04461	Washer
62	714-04074	Cotter Pin
64	951-11369	Radial Ball Bearing
65	951-10307	Flywheel Key
68	715-04092	Dowel Pin, 7 x 14
69	715-04096	Dowel Pin, 9 x 14
70	951-11371	Crankcase Cover Gasket

Ref. No.	Part No.	Description
72	710-04932	Bolt
75	951-11368	Oil Seal
78	736-04440	Washer
80	951-11370	Oil Seal
81	951-10646	Ignition Coil
82	951-11110	Air Flow Shield
83	951-10650	Fuel Line Kit
84	951-10641	Oil Drain Assembly
85	951-12050	Stator
86	951-12051	Flywheel
87	951-10934	Cooling Fan
88	951-10911	Starter Cup
89	712-04209	Nut
90	951-10647	Valve Kit
92	951-11509	Blower Housing
93	736-04455	Washer
94	710-04914	Bolt
95	951-10658	Recoil Starter Assembly
96	731-05632	Key
97	951-10758	Throttle Control Assembly
98	710-05103	Bolt
99	951-11108	Governor Shield
100	951-11935	Governor Spring
101	951-10664	Throttle Return Spring
102	951-10665	Governor Rod
104	712-04212	Nut
105	710-04908	Bolt
109	951-10662	Engine/Dipstick Cover
110	710-04905	Bolt
113	951-11913	Dipstick Tube
115	951-11912	Dipstick
117	951-10649	Fuel Cap Assembly
118	951-11933	Fuel Level Indicator
119	951-10653B	Fuel Tank
121	951-11114	Switch Housing Mounting Bracket
122	712-04212	Nut
123	710-04965	Bolt, M4 x 55
124	710-04935	Bolt, M4 x 60
125	710-05182	Bolt
126	715-04088	Dowel Pin
127	951-10645A	Electric Starter
128	710-04979	Bolt

208 cc 370-SUB Engine

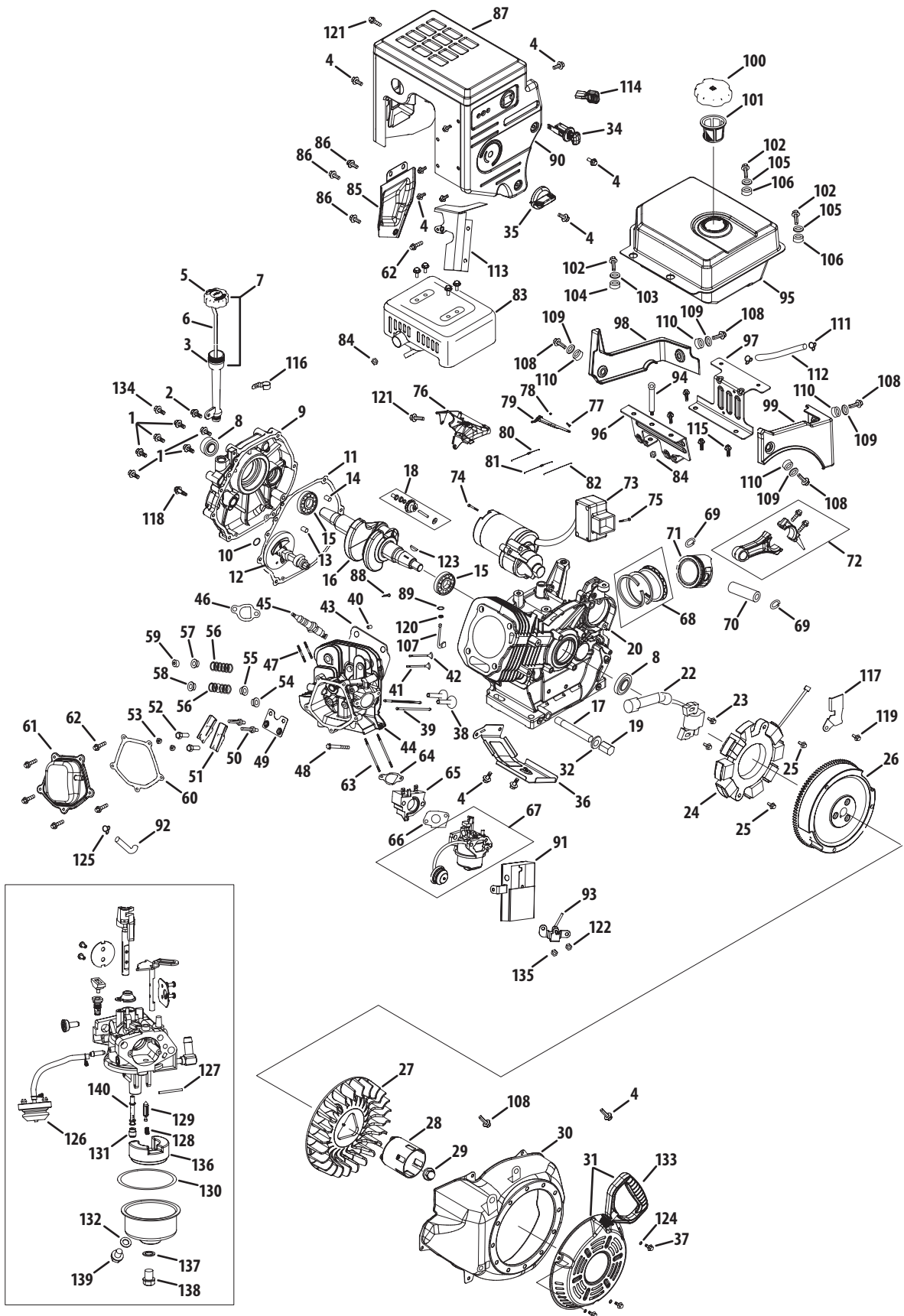
Ref. No.	Part No.	Description
129	951-11109	Blower Housing Shield
130	951-10639A	Primer (includes primer bulb)
—	951-11824	Primer Bulb
131	710-04945	Bolt
132	710-04938	Drain Bolt
143	731-05696	Starter Handle
155	951-11106	Governor Arm Bracket
156	951-11903	O-Ring
157	951-11731	Hose Clamp
158	951-11934	O-Ring
—	951-10651	Fuel Tank Nipple (Not Shown)
—	952Z370-SUB-10	Engine, Complete
145	951-10657	Muffler Stud Assembly
20	710-05001	Stud
33	951-10638A	Carburetor Assembly
130	951-10639A	Primer
131	710-04945	Bolt
132	710-04938	Drain Bolt
133	—	Gasket, Throttle Plate
134	—	Float Pin
135	—	Emulsion Tube
136	—	Needle Valve
137	—	Main Jet
138	—	Needle Valve Spring
139	—	Float
140	951-11589	Fuel Bowl Gasket
141	951-11349	Fuel Drain Plug Gasket
142	951-11348	Fuel Bowl Gasket
146	—	Choke Shaft
147	—	Choke Plate
148	—	Throttle Shaft
149	—	Throttle Plate
150	—	Screw, M3x5
151	—	Lock Washer
152	—	Idle Jet Assembly
153	—	Idle Speed Adjusting Screw
154	—	Fuel Bowl
159	951-11905	Primer Hose
160	951-11906	Hose Clamp

Ref. No.	Part No.	Description
—	951-11249	Crankcase Kit
61	951-11902	Governor Seal
64	951-11369	Radial Ball Bearing
70	951-11371	Crankcase Gasket
76	—	Crankcase
80	951-11370	Oil Seal
—	951-11060A	Short Block Assembly
5	951-11565	Head Cover Gasket
21	951-11289	Muffler Gasket
30	951-11567	Carburetor Insulator Gasket
31	951-11896	Carburetor Insulator Plate
46	951-11572	Cylinder Head Gasket
48	951-11899	Tappet
49	715-04090	Dowel Pin
52	951-11253	Piston Ring Set
53	951-11632	Piston Pin Snap Ring
54	951-12053	Piston
55	951-11633	Piston Pin
58	951-11573	Connecting Rod Assembly
59	951-11356	Governor Arm Shaft
60	736-04461	Washer
61	951-11902	Governor Seal
62	714-04074	Cotter Pin
63	951-11575	Camshaft Assembly
64	951-11369	Radial Ball Bearing
65	951-10307	Flywheel Key
66	—	Crankshaft Assembly
67	951-11576	Governor Gear/Shaft Assembly
68	715-04092	Dowel Pin, 7 x 14
69	715-04096	Dowel Pin, 9 x 14
70	951-11371	Crankcase Cover Gasket
71	—	Case Cover
72	710-04932	Bolt
73	951-11577	O-Ring
74	—	Oil Fill Plug
75	951-11368	Oil Seal
76	—	Crankcase
77	951-11350	Oil Drain Pipe
78	736-04440	Washer
79	710-04906	Oil Drain Plug Washer
80	951-11370	Oil Seal

Ref. No.	Part No.	Description
—	951-10668A	Cylinder Head Assembly
5	951-11565	Head Cover Gasket
6	951-12000	Intake Valve Spring Seat
7	751-11124	Pivot Locking Nut
8	751-11123	Valve Adjusting Nut
9	951-11893	Rocker Arm
10	710-04902	Pivot Bolt
11	951-12002	Exhaust Valve Adjuster
12	951-12003	Exhaust Valve Spring Seat
13	951-12004	Valve Spring
14	951-11894	Intake Valve Seal
16	951-11895	Push Rod Guide Plate
17	—	Cylinder Head - Complete
21	951-11289	Muffler Gasket
30	951-11567	Carburetor Insulator Gasket
31	951-11896	Carburetor Insulator Plate
46	951-11572	Cylinder Head Gasket
90	951-10647	Valve Kit
—	951-11063	Valve Cover Kit
2	951-11054	Valve Cover
5	951-11565	Head Cover Gasket
56	951-11283	Oil Fill Plug Assembly
73	951-11577	O-Ring
74	—	Oil Filler Plug
144	951-11021	Carburetor Kit, Major
133	—	Gasket, Throttle Plate
134	—	Float Pin
135	—	Emulsion Tube
136	—	Needle Valve
137	—	Main Jet
138	—	Needle Valve Spring
139	—	Float
140	951-11589	Fuel Bowl Gasket
141	951-11349	Fuel Drain Plug Gasket
142	951-11348	Fuel Bowl Gasket
—	951-11247A	Crankshaft Kit
64	951-11369	Radial Ball Bearing
65	951-10307	Flywheel Key
66	—	Crankshaft
75	951-11368	Oil Seal
80	951-11370	Oil Seal

Ref. No.	Part No.	Description
—	951-11059A	Gasket Kit, Complete
5	951-11565	Head Cover Gasket
21	951-11289	Muffler Gasket
30	951-11567	Carburetor Insulator Gasket
31	951-11896	Carburetor Insulator Plate
32	951-12005	Carburetor Gasket
34	951-11897	Carburetor Gasket Plate
46	951-11572	Cylinder Head Gasket
60	736-04461	Washer
61	951-11902	Governor Seal
62	714-04074	Cotter Pin
70	951-11371	Crankcase Cover Gasket
75	951-11368	Oil Seal
78	736-04440	Washer
80	951-11370	Oil Seal
—	951-11246	Crankcase Cover Kit
64	951-11369	Radial Ball Bearing
70	951-11371	Crankcase Cover Gasket
71	—	Case Cover
72	710-04932	Cover Bolts
73	951-11577	O-Ring
74	—	Oil Fill Plug
75	951-11368	Oil Seal
—	951-10661B	Gasket Kit, External
5	951-11565	Head Cover Gasket
21	951-11289	Muffler Gasket
30	951-11567	Carburetor Insulator Gasket
31	951-11896	Carburetor Insulator Plate
32	951-12005	Carburetor Gasket
34	951-11897	Carburetor Gasket Plate
78	736-04440	Washer

277cc 478-SU Engine



Ref. No.	Part No.	Description	Ref. No.	Part No.	Description
1	710-04971	Flange Bolt	73	951-11196	Electric Starter
2	710-04968	Flange Bolt	74	710-04967	Flange Bolt
3	951-11206	Dipstick Tube	75	710-04965	Screw
4	710-04915	Flange Bolt	76	951-11213	Throttle Control Assembly
8	951-11372	Crankshaft Oil Seal	77	710-04908	Bolt
11	951-11374	Crankcase Cover Gasket	78	712-04211	Nut
13	715-04102	Dowel Pin	79	951-11231	Governor Arm Bracket
14	715-04096	Dowel Pin	80	951-11202	Governor Spring
15	951-11373	Ball Bearing	81	951-11203	Throttle Return Spring
22	951-11197	Ignition Coil	82	951-11204	Governor Rod
23	710-04920	Flange Bolt	83	951-11195	Muffler Assembly
24	951-11216	Stator	84	712-04219	Nut
25	710-04969	Flange Bolt	85	951-11181	Muffler Baffle
26	951-11214	Flywheel	86	710-04914	Flange Bolt
27	951-11217	Cooling Fan	87	951-11194	Muffler Shield
28	951-11218	Starter Cup	88	714-04077	Governor Shaft Clip
29	712-04220	Flange Nut	89	736-04453	Washer
30	951-11379	Blower Housing	91	951-11190	Heater Box
31	951-11208	Recoil Starter Assembly	92	951-11221	Breather Hose
32	736-04440	Oil Drain Washer	93	951-11192	Choke Assembly
34	951-10637	Ignition Switch	95	951-11201	Fuel Tank
35	951-11191	Choke Knob	96	951-11182	Fuel Tank Mounting Bracket
36	951-11180	Cylinder Baffle	97	951-11183	Fuel Tank Mounting Bracket
37	710-04974	Flange Bolt	98	951-11184	Fuel Tank Shroud
39	951-11199	Push Rod Kit	99	951-11419	Engine Shroud
40	715-04097	Dowel Pin	100	951-10649	Fuel Cap Assembly
45	951-10292	Spark Plug	101	951-10652	Fuel Filter
46	951-11212	Muffler Gasket	102	710-04970	Flange Bolt
47	951-11207	Muffler Stud Assembly	103	736-04451	Washer
47	710-04964	Exhaust Stud	104	750-05313	Bushing
48	710-04973	Flange Bolt	105	736-04450	Washer
50	710-04962	Rocker Stud Bolt	106	750-05312	Bushing
52	751-11123	Valve Adjusting Nut	108	710-11012	Flange Bolt
53	751-11124	Pivot Locking Nut	109	736-04452	Washer
61	951-11220	Valve Cover	110	750-05314	Bushing
62	710-05054	Bolt	113	951-11227	Carburetor Heat Shield
63	710-04963	Carburetor Stud	114	951-11224	Throttle Knob
64	951-11225	Intake Gasket	115	710-04921	Flange Bolt
65	951-11222	Carburetor Insulator	116	951-11185	Oil Tube Support Bracket
66	951-11223	Carburetor Gasket	117	951-11186	Alternator Wire Clamp Bracket
67	951-11193	Carburetor Assembly	118	710-04972	Flange Bolt

277cc 478-SU Engine

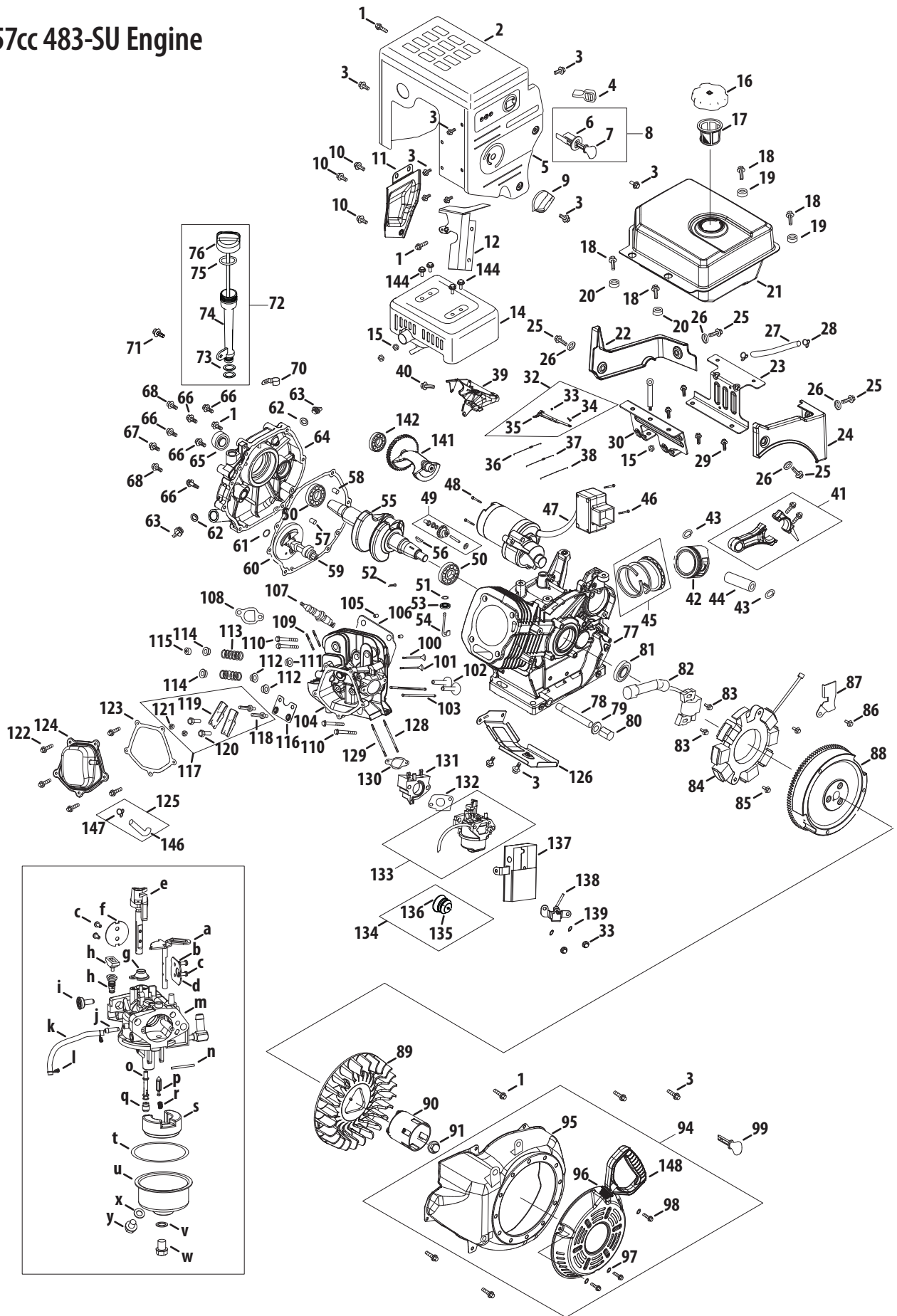
Ref. No.	Part No.	Description
119	710-04966	Flange Bolt
121	710-04916	Flange Bolt
122	712-04211	Nut
123	951-10307	Flywheel Key
124	736-04455	Flat Washer
125	726-04101	Breather Hose Clip
126	951-10639	Primer
132	751-11349	Fuel Drain Plug Gasket
133	731-05696	Starter Handle
134	710-05052	Bolt
135	736-04477	Nut
137	751-11348	Fuel Bowl Gasket
138	710-04945	Fuel Drain Bolt
139	710-04903	Fuel Drain Plug
—	951-10651	Fuel Tank Nipple (Not Shown)
—	731-05632	Key (Not Shown)
—	951-11228	Crankcase Cover Kit
1	710-04971	Flange Bolt
8	951-11372	Crankshaft Oil Seal
9	—	Crankcase Cover
10	—	Flat Washer
11	951-11374	Crankcase Cover Gasket
15	951-11373	Ball Bearing
118	710-04972	Flange Bolt
—	951-11229	Crankshaft Kit
8	951-11372	Crankshaft Oil Seal
15	951-11373	Ball Bearing
16	—	Crankshaft Assembly
123	951-10307	Flywheel Key
—	951-11230	Crankcase Kit
8	951-11372	Crankshaft Oil Seal
15	951-11373	Ball Bearing
20	—	Crankcase
120	—	Governor Shaft Seal

Ref. No.	Part No.	Description
—	951-11219	Carburetor Kit
127	—	Float Pin
128	—	Needle Valve Spring
129	—	Needle Valve
130	—	Bowl gasket
131	—	Main Jet
132	751-11349	Fuel Drain Plug Gasket
136	—	Carburetor Float
140	—	Main Nozzle
—	951-11209	Gasket Kit, Complete
8	951-11372	Crankshaft Oil Seal
11	951-11374	Crankcase Cover Gasket
32	736-04440	Oil Drain Washer
43	—	Head Gasket
46	951-11212	Muffler Gasket
60	—	Valve Cover Gasket
64	951-11225	Intake Gasket
65	951-11222	Carburetor Insulator
66	951-11223	Carburetor Gasket
120	—	Governor Shaft Seal
—	951-11210	Gasket Kit, External
11	951-11374	Crankcase Cover Gasket
32	736-04440	Oil Drain Washer
60	—	Valve Cover Gasket
64	951-11225	Intake Gasket
65	951-11222	Carburetor Insulator
66	951-11223	Carburetor Gasket
—	951-11226	Cylinder Head Kit
43	—	Head Gasket
48	710-04973	Flange Bolt
54	—	Intake Valve Seal
60	—	Valve Cover Gasket
7	951-11205	Dipstick Assembly
5	—	Oil Cap
6	—	Dipstick

Ref. No.	Part No.	Description
—	951-11200	Fuel Line Kit
111	—	Fuel Hose Clamp
112	—	Fuel Hose
—	951-11198	Valve Kit
41	—	Intake Valve
42	—	Exhaust Valve
—	951-10641	Oil Drain Assembly
17	—	Extended Oil Drain Tube
19	—	Extended Oil Drain Plug
32	736-04440	Oil Drain Washer
—	951-11188	Cylinder Head Assembly
41	—	Intake Valve
42	—	Exhaust Valve
43	—	Head Gasket
44	—	Cylinder Head
46	951-11212	Muffler Gasket
47	710-04964	Exhaust Stud
48	710-04973	Flange Bolt
49	—	Pushrod Guide Plate
50	710-04962	Rocker Stud Bolt
51	—	Rocker Arm
52	751-11123	Valve Adjusting Nut
53	751-11124	Pivot Locking Nut
54	—	Intake Valve Seal
55	—	Exhaust Valve Spring Support
56	—	Valve Spring
57	—	Exhaust Spring Retainer
58	—	Intake Spring Retainer
59	—	Exhaust Valve Cap
60	—	Valve Cover Gasket
63	710-04963	Carburetor Stud
64	951-11225	Intake Gasket
65	951-11222	Carburetor Insulator

Ref. No.	Part No.	Description
—	951-11187	Short Block Assembly
1	710-04971	Flange Bolt
2	710-04968	Flange Bolt
8	951-11372	Crankshaft Oil Seal
9	—	Crankcase Cover
10	—	Flat Washer
11	951-11374	Crankcase Cover Gasket
12	—	Camshaft Assembly
13	715-04102	Dowel Pin
14	715-04096	Dowel Pin
15	951-11373	Ball Bearing
16	—	Crankshaft Assembly
17	—	Oil Drain Bolt
18	—	Governor Gear Assembly
19	—	Extended Oil Drain Plug
20	—	Crankcase
32	736-04440	Oil Drain Washer
38	—	Tappet
40	715-04097	Dowel Pin
43	—	Head Gasket
46	951-11212	Muffler Gasket
48	710-04973	Flange Bolt
60	—	Valve Cover Gasket
64	951-11225	Intake Gasket
65	951-11222	Carburetor Insulator
68	—	Piston Ring Set
69	—	Piston Pin Clip
70	—	Piston Pin
71	—	Piston
72	—	Conrod Assembly
88	714-04077	Governor Shaft Clip
89	736-04453	Flat Washer
107	—	Governor Shaft
118	710-04972	Flange Bolt
120	—	Governor Shaft Seal
123	951-10307	Flywheel Key

357cc 483-SU Engine



357cc 483-SU Engine

Ref.	Part Number	Description	Ref.	Part Number	Description
1	710-11012	Bolt, M6 x 16	45	951-11955	Piston Ring Set
2	951-11339	Muffler Shield	46	710-04965	Bolt, M4 x 55
3	710-04915	Bolt, M6 x 12	47	951-11196	Startup Electromotor
4	951-10757	Throttle Control Knob	48	710-04967	Bolt, M8 x 55
5	951-11595	Control Panel	49	951-11956	Governor Gear/Shaft Ass'y
7	731-05632	Key	50	951-11957	Radial Ball Bearing
8	951-10637	Key Switch Ass'y	51	736-04453	Washer
9	951-11302	Choke Knob	52	714-04077	Cotter Pin
10	710-04914	Bolt, Flange, M6 x 10	53	951-11958	Governor Seal
11	951-11181	Muffler Baffle	54	951-11365	Governor Arm Shaft
12	951-11321	Carb Isolator Bracket	56	951-10307	Woodruff Key
14	951-11338	Muffler Ass'y	57	715-04102	Dowel Pin, 9 x 12
15	712-04219	Nut, M8 - 1.25	58	715-04092	Dowel Pin, 7 x 14
16	951-10649	Fuel Cap Ass'y	59	951-11959	Camshaft Ass'y
17	951-11933	Fuel Level Indicator	60	951-11376	Crankcase Cover Gasket
18	710-04970	Flange Bolt, M8 x 20	61	736-04476	Washer
19	750-05312	Bushing, Gas Tank	62	951-11960	O-Ring
20	750-05313	Bushing, Gas Tank	65	951-11375	Oil Seal
21	951-11201	Fuel Tank Ass'y	66	710-04971	Bolt, M8 x 38
22	951-11319	Fuel Tank Shroud	67	710-04972	Bolt, M8 x 45
23	951-11318	Rear Mounting Bracket Ass'y	68	710-05052	Bolt, M8 x 35
24	951-11351	Engine Shroud	70	951-11320	Dipstick Clamp
25	951-11012	Bolt, M6 x 16	71	710-04966	Bolt, M6 x 8
26	736-04452	Bush - Washer	73	951-11903	Oil Fill Tube O-Ring
28	951-11731	Fuel Line Clamp	75	951-11904	Dipstick O-Ring
29	710-04921	Bolt, M8 x 14	78	951-11350	Oil Drain Pipe Ass'y
30	951-11182	Fuel Tank Mounting Bracket	79	736-04440	Oil Drain Washer
33	712-04212	Nut, M6	80	710-04906	Oil Drain Plug
34	710-04908	Governor Arm Bolt	81	951-11499	Oil Seal
35	951-11307	Governor Arm	82	951-11305	Ignition Coil Ass'y
36	951-11306	Governor Spring	83	710-04920	Ignition Coil Bolt
37	951-11203	Throttle Linkage Spring	84	951-11961	Coil Assy. Charge
38	951-11309	Throttle Linkage	85	710-04969	Bolt, M6 x 30
39	951-11311	Primer Bracket	86	710-04966	Bolt, M6 x 8
40	710-04916	Bolt, Flange, M6 x 14	87	951-11186	Alternator Wire Clamp Bracket
41	951-11951	Connecting Rod Ass'y	88	951-11312	Flywheel
42	951-11952	Piston	89	951-11313	Fan, Cooling
43	951-11953	Piston Pin Snap Ring	90	951-11314	Starter Cup
44	951-11954	Piston Pin	91	712-04220	Nut, Special, M16 x 1.5

357cc 483-SU Engine

Ref.	Part Number	Description
95	951-11211	Blower Housing
96	951-11310	Recoil Starter
97	736-04455	Gasket
98	710-04974	Bolt, M6 x 10
99	731-05632	Key
102	951-11962	Tappet
103	951-11335	Push Rod (2X)
105	715-04097	Dowel Pin, 12 x 20
106	951-11963	Gasket, Cylinder Head
107	951-10292	Spark Plug/F6rtc
108	951-11212	Exhaust Pipe Gasket
109	710-04964	Stud, M8 x 48.5
110	710-05053	Bolt, M10 x 1.25 x 87
111	751-11964	Intake Valve Seal
116	951-11965	Push Rod Guide
117	951-11981	Rocker Arm Ass'y
118	710-04962	Bolt, Pivot
119	951-11966	Rocker Arm
120	751-11123	Adjusting Nut, Valve
121	751-11124	Nut, Pivot Locking
122	710-05054	Valve Cover Bolt
123	951-11967	Valve Cover Gasket
124	951-11220	Valve Cover
126	951-11317	Cylinder Baffle
128	710-05055	Stud, M6 x 8 x 98
129	710-05056	Stud, M6 x 8 x 118
130	951-11315	Carburetor Insulator Gasket
131	951-11316	Carburetor Insulator Plate
132	951-11223	Carburetor Gasket
133	951-11303A	Carburetor Ass'y
134	951-10639A	Primer Ass'y
135	951-11824	Primer Bulb
137	951-11304	Heater Box
138	951-11192	Choke Control
139	736-04477	Lock Washer
141	951-11968	Camshaft Gear Ass'y
142	951-11969	Bearing
144	710-05051	Bolt
146	951-11221	Breather Hose

Ref.	Part Number	Description
147	726-04101	Clamp
148	731-05696	Starter Handle
k	751-11991	Primer Hose
t	951-11970	Bowl Gasket
v	951-11348	Main Bowl Bolt Gasket
w	710-04945	Fuel Bowl Mounting Bolt
x	951-11349	Fuel Drain Plug Gasket
y	710-04903	Fuel Drain Plug
—	951-10651	Fuel Tank Nipple (Not Shown)
—	952Z483-SU-10	Replacement Engine
—	951-11207	Muffler Stud Ass'y
109	710-04964	Muffler Stud
—	951-11329A	Cylinder Head Ass'y
100	—	Exhaust Valve
101	—	Intake Valve
104	—	Cylinder Head
106	951-11963	Gasket, Cylinder Head
108	951-11212	Exhaust Pipe Gasket
109	710-04964	Stud, M8 x 48.5
110	710-05053	Bolt, M10 x 1.25 x 87
111	751-11964	Intake Valve Seal
112	—	Intake Valve Seal
113	—	Valve Spring
114	—	Valve Spring Retainers - Exhaust
115	—	Exhaust Valve Adjuster
116	951-11965	Push Rod Guide
118	710-04962	Bolt, Pivot
119	951-11966	Rocker Arm
120	751-11123	Adjusting Nut, Valve
121	751-11124	Nut, Pivot Locking
123	951-11967	Valve Cover Gasket
128	710-05055	Stud, M6 x 8 x 98
129	710-05056	Stud, M6 x 8 x 118
130	951-11315	Carburetor Insulator Gasket
131	951-11316	Carburetor Insulator Plate
—	951-10641	Oil Drain Ass'y
78	951-11350	Oil Drain Pipe Ass'y
79	736-04440	Oil Drain Washer
80	710-04906	Oil Drain Plug

Ref.	Part Number	Description
—	951-11328A	Short Block Ass'y
41	951-11951	Connecting Rod Ass'y
42	951-11952	Piston
43	951-11953	Piston Pin Snap Ring
44	951-11954	Piston Pin
45	951-11955	Piston Ring Set
49	951-11956	Governor Gear/Shaft Ass'y
50	951-11957	Radial Ball Bearing
51	736-04453	Washer
52	714-04077	Cotter Pin
53	951-11958	Governor Seal
54	951-11365	Governor Arm Shaft
55	—	Crankshaft Ass'y
56	951-10307	Woodruff Key
57	715-04102	Dowel Pin, 9 x 12
58	715-04092	Dowel Pin, 7 x 14
59	951-11959	Camshaft Ass'y
60	951-11376	Crankcase Cover Gasket
61	736-04476	Washer
63	—	Oil Drain Plug Ass'y
64	—	Crankcase Cover
65	951-11375	Oil Seal
66	710-04971	Bolt, M8 x 38
67	710-04972	Bolt, M8 x 45
68	710-05052	Bolt, M8 x 35
77	—	Crankcase Complete
78	951-11350	Oil Drain Pipe Ass'y
79	736-04440	Oil Drain Washer
81	951-11499	Oil Seal
102	951-11962	Tappet
105	715-04097	Dowel Pin, 12 x 20
106	951-11963	Gasket, Cylinder Head
108	951-11212	Exhaust Pipe Gasket
110	710-05053	Bolt, M10 x 1.25 x 87
123	951-11967	Valve Cover Gasket
130	951-11315	Carburetor Insulator Gasket
131	951-11316	Carburetor Insulator Plate
141	951-11968	Camshaft Gear Ass'y
142	951-11969	Bearing

Ref.	Part Number	Description
—	951-11330A	Gasket Kit - Complete
53	951-11958	Governor Seal
60	951-11376	Crankcase Cover Gasket
65	951-11375	Oil Seal
79	736-04440	Oil Drain Washer
81	951-11499	Oil Seal
106	951-11963	Gasket, Cylinder Head
108	951-11212	Exhaust Pipe Gasket
123	951-11967	Valve Cover Gasket
130	951-11315	Carburetor Insulator Gasket
131	951-11316	Carburetor Insulator Plate
132	951-11223	Carburetor Gasket
—	951-11333	Valve Cover Kit
123	951-11967	Valve Cover Gasket
124	951-11220	Valve Cover
—	951-11331	Gasket Kit - External
79	736-04440	Oil Drain Washer
108	951-11212	Exhaust Pipe Gasket
123	951-11967	Valve Cover Gasket
130	951-11315	Carburetor Insulator Gasket
131	951-11316	Carburetor Insulator Plate
132	951-11223	Carburetor Gasket
—	951-11337	Valve Kit
100	—	Exhaust Valve
101	—	Intake Valve
—	951-11345	Oil Filler Plug Ass'y
62	951-11960	O-Ring
63	—	Oil Drain Plug Ass'y
—	751-11971	Dipstick Ass'y
75	951-11904	Dipstick O-Ring
76	—	Dipstick / Cap
—	951-11336	Fuel Line Kit
27	—	Fuel Line
28	951-11731	Fuel Line Clamp
—	951-11334	Cylinder Head Kit
106	951-11963	Gasket, Cylinder Head
110	710-05053	Bolt, M10 x 1.25 x 87
111	751-11964	Intake Valve Seal
123	951-11967	Valve Cover Gasket

357cc 483-SU Engine

Ref.	Part Number	Description
—	951-11342	Crankshaft Kit
50	951-11957	Radial Ball Bearing
55	—	Crankshaft Ass'y
56	951-10307	Woodruff Key
65	951-11375	Oil Seal
81	951-11499	Oil Seal
—	951-11332	Carburetor Kit - Major
g	—	Throttle Pressure Lock Plate
n	—	Float Pin
o	—	Main Nozzle
p	—	Needle Valve
q	—	Main Jet
r	—	Needle Valve Spring
s	—	Float
t	951-11970	Bowl Gasket
v	951-11348	Main Bowl Bolt Gasket
x	951-11349	Fuel Drain Plug Gasket
—	951-11340	Crankcase Cover Kit
50	951-11957	Radial Ball Bearing
60	951-11376	Crankcase Cover Gasket
61	736-04476	Washer
64	—	Crankcase Cover
65	951-11375	Oil Seal
66	710-04971	Bolt, M8 x 38
67	710-04972	Bolt, M8 x 45
68	710-05052	Bolt, M8 x 35
—	751-11341A	Crankcase Kit
50	951-11957	Radial Ball Bearing
53	951-11958	Governor Seal
77	—	Crankcase
81	951-11499	Oil Seal
—	951-11972	Oil Fill Tube Assembly
73	951-11903	Oil Fill Tube O-Ring
74	—	Oil Fill Tube



To order replacement parts or locate your nearest service dealer call a Customer Support at (800) 800-7310.
or visit www.mtdproducts.com to find the nearest authorized dealer in your area.

MTD LLC, P.O. BOX 361131 CLEVELAND, OHIO 44136-0019
