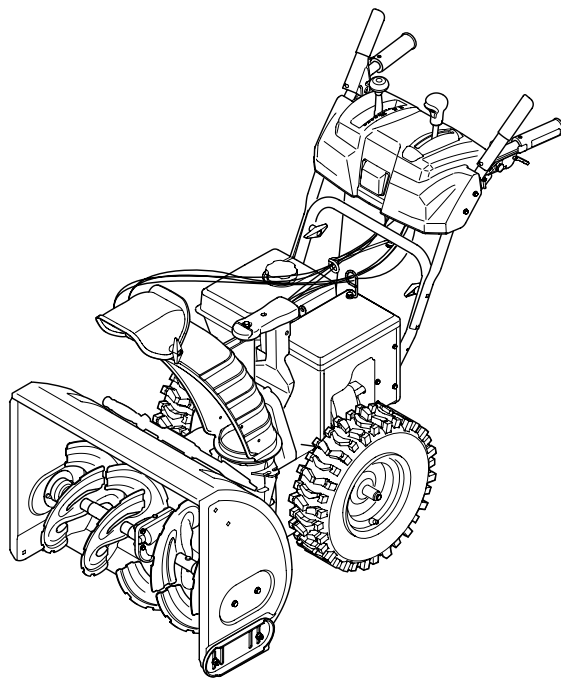


---

# ILLUSTRATED PARTS MANUAL



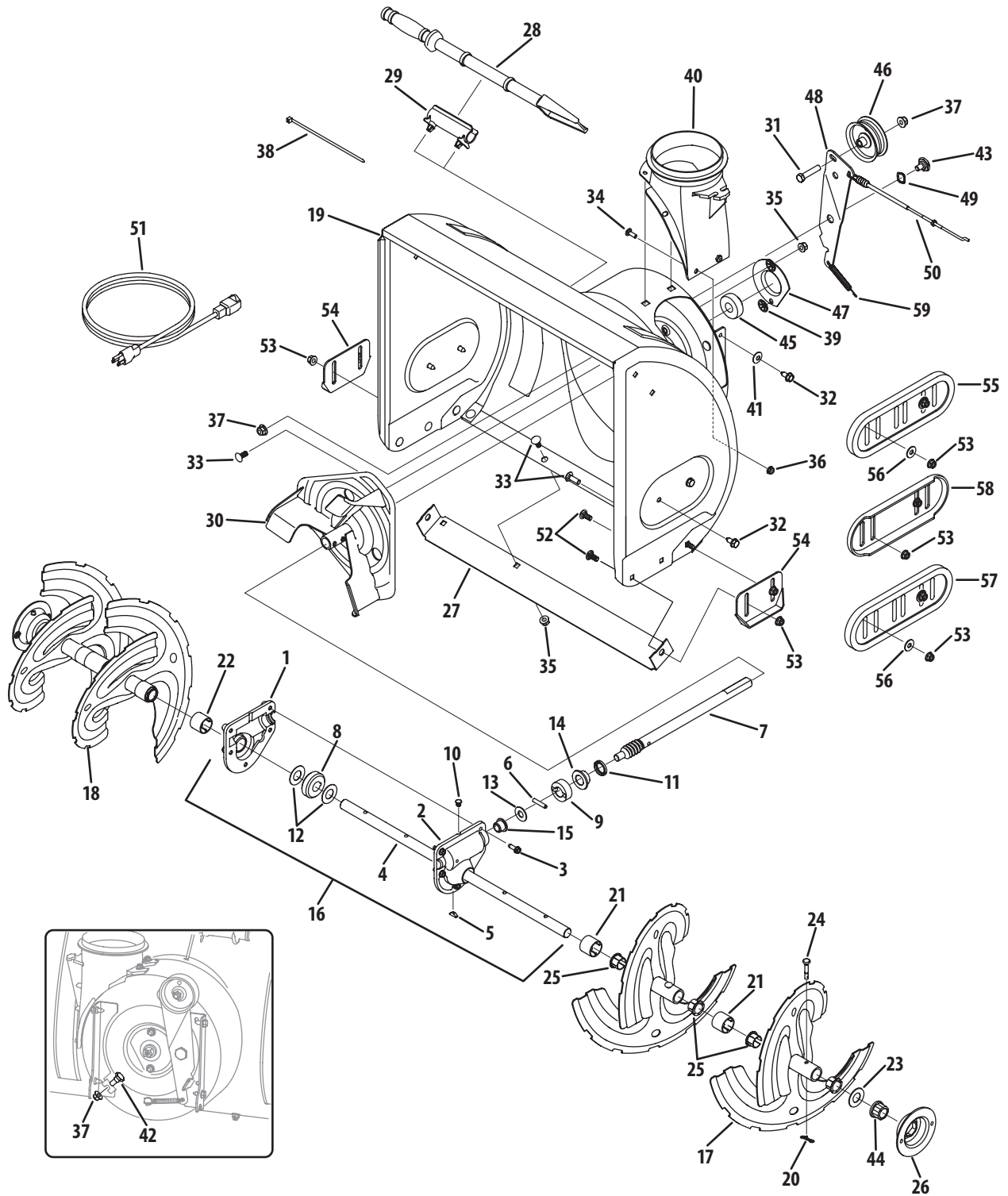
## 600 Series Snow Throwers

---

MTD LLC, P.O. BOX 361131 CLEVELAND, OHIO 44136-0019

---

# Auger & Auger Housing

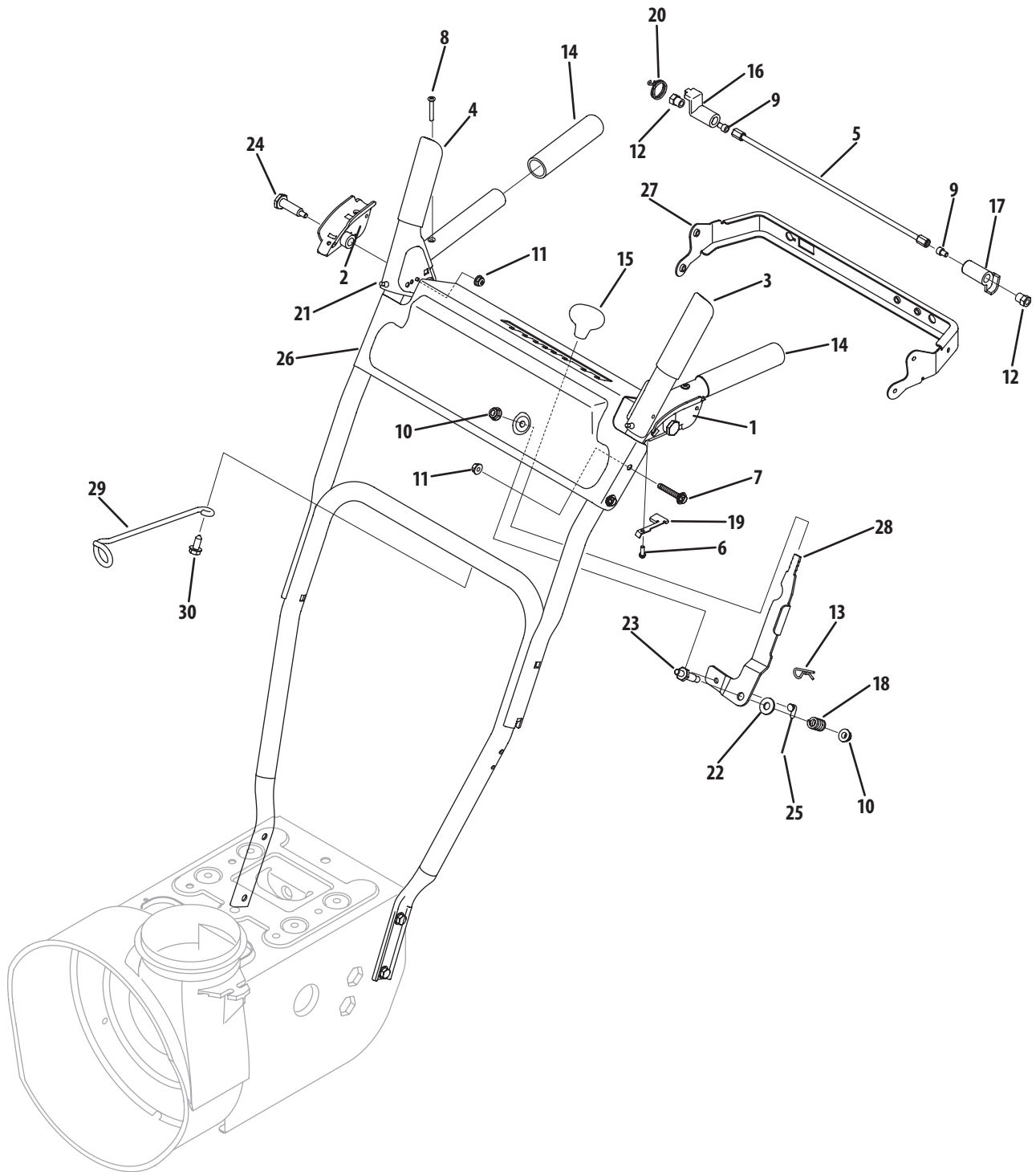


## Auger & Auger Housing

Ref.	Part Number	Description	Ref.	Part Number	Description
1.	618-0123A	Housing Assembly, RH	25.	741-0493A	Flange Bushing, .800 ID x .910 OD
2.	618-0124A	Housing Assembly, LH	26.	790-00087A	Bearing Housing, 1"
3.	710-0642	Hex Washer Screw, ¼-20 x .750	27.	790-00120	Shave Plate, 24"
4.	711-04285	Auger Axle, 24"	—	790-00121	Shave Plate, 26"
—	711-04284	Auger Axle, 26"	—	790-00118	Shave Plate, 28"
—	711-04283	Auger Axle, 28"	—	790-00119	Shave Plate, 30"
—	711-04282	Auger Axle, 30"	28.	731-2643	Chute Cleanout Tool
5.	714-0161	Hi-Pro Key	29.	731-2635	Cleanout Tool Mount
6.	715-04021	Dowel Pin, .25 OD x 1.25 LG	30.	684-04057A	Impeller Assembly, 12"
7.	717-04126	Worm Shaft, .75 OD	31.	710-0347	Hex Screw, ⅜-16 x 1.75
8.	717-04449	Worm Gear 20T, 24"	32.	710-04484	Hex Washer Screw, ⅝-18 x .750
—	717-04449	Worm Gear 20T, 26"	33.	710-0451	Carriage Bolt, ⅝-18 x .750
—	717-0528A	Worm Gear 20T, 28" & 30"	34.	710-0703	Carriage Screw, ¼-20 x .75
9.	718-04071	Thrust Collar, .756 ID x .600	35.	712-04063	Flange Lock Nut, ⅝-18
10.	721-0325	Plug, ¼ x .437	36.	712-04064	Flange Lock Nut, ¼-20
11.	721-0327	Oil Seal, .75 x 1.131 x .188	37.	712-04065	Flange Lock Nut, ⅜-16
12.	736-0351	Flat Washer, .760 ID x 1.50 ID	38.	725-0157	Cable Tie, ⅜ x .05 x 7.4
13.	736-3084	Flat Washer, .51 x 1.12 x .06	39.	726-04012	Push Nut, .25 Dia.
14.	741-0662	Flnq. Bearing, .75 ID x 1.00 OD x .59	40.	731-04705C	Chute Adapter, 5"
15.	741-0663	Flange Bearing, .50 ID x .75 OD x .59	41.	736-0242	Bell Washer, .340 x .872 x .060
16.	618-04171A	Gearbox Assembly, 24"	42.	738-0143	Shoulder Bolt, .496 x .336 x ⅜-16
—	618-04172A	Gearbox Assembly, 26"	43.	738-0281	Shoulder Screw, .625 x .17 x ⅜-16
—	618-04173A	Gearbox Assembly, 28"	44.	741-0245	Hex Flange Bearing, .75 ID
—	618-04165A	Gearbox Assembly, 30"	45.	741-0309	Ball Bearing, .75 ID x 1.85 OD
17.	684-04107	Spiral Assembly, LH	46.	756-0981B	Idler Pulley, .275 OD
18.	684-04108	Spiral Assembly, RH	47.	790-00075	Bearing Housing, 1.85 ID
19.	684-04265	Auger Housing Assembly, 24"	48.	790-00080A	Auger Idler Bracket
—	684-04270	Auger Housing Assembly, 24" (TB)	49.	736-0174	Wave Washer, .625 x .885 x .015
—	684-04264	Auger Housing Assembly, 26"	50.	746-04230	Auger Drive Cable
—	684-04271	Auger Housing Assembly, 26" (TB)	51.	629-0071	Extension Cord (Electric Start Only)
—	684-04268	Auger Housing Assembly, 28"	52.	710-0451	Carriage Bolt, ⅝-18 x .750
—	684-04272	Auger Housing Assembly, 28" (TB)	53.	712-04063	Flange Lock Nut, ⅝-18
—	684-04267	Auger Housing Assembly, 30"	54.	784-5580	Skid Shoe
20.	714-04040	Bow-Tie Cotter Pin	55.	731-06439	Polymer Skid Shoe
21.	731-04870	Spacer, 1.2500 x .75 ID x 1.00 LG	56.	736-0159	Flat Washer, .349 x .879 x .063
22.	731-04871	Spacer, 1.250 x .75 ID x ⅜ LG +	57.	731-05984A	Deluxe Polymer Skid Shoe
23.	736-0188	Flat Washer, .76 x 1.49 x .06	58.	790-00091	Deluxe Skid Shoe
24.	738-04124A	Shear Pin, .25 x 1.50	59.	732-04460	Extension Spring

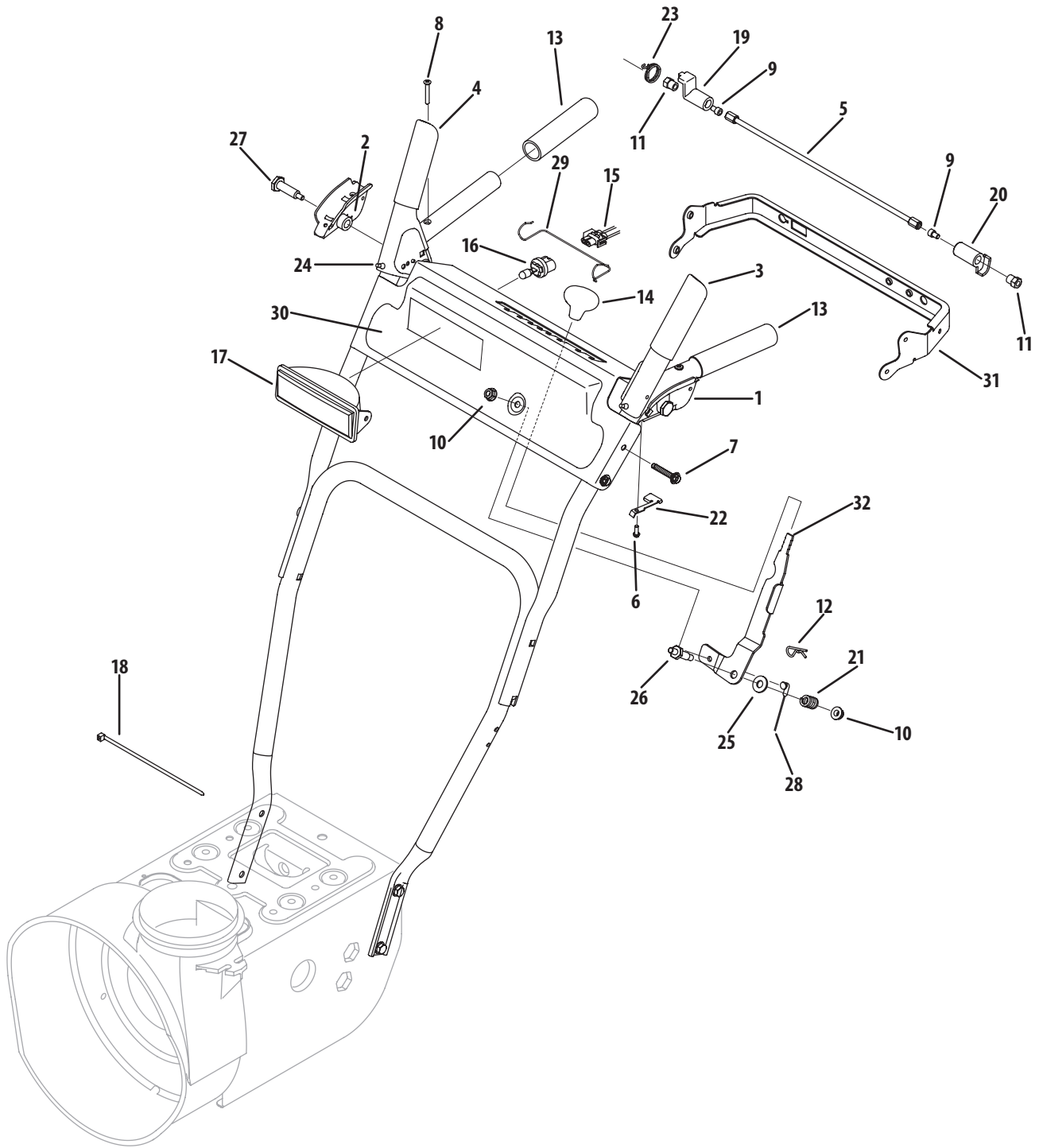
+ — Spacer used on 30" augers only

# E-Style Panel



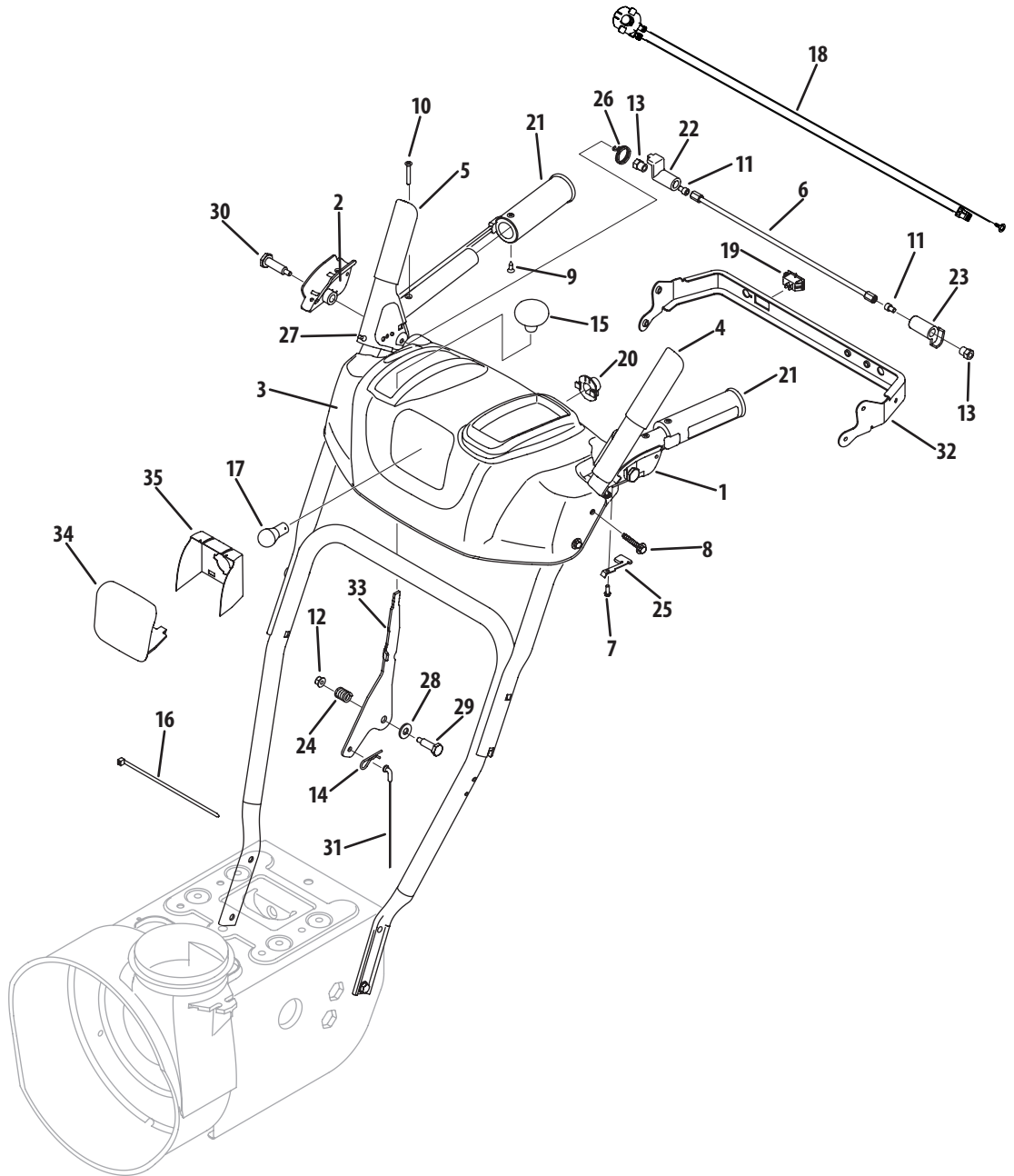
Ref.	Part Number	Description
1.	631-04133A	Clutch Lock Handle Assembly, LH
2.	631-04134B	Clutch Lock Handle Assembly, RH
3.	684-04105B	Engagement Assembly, LH
4.	684-04106B	Engagement Assembly, RH
5.	684-04250	Clutch Pivot Lock Rod Assembly
6.	710-04326	Hex Washer Screw, 8-16 x .50
7.	710-04586	Hex Washer Screw, ¼-20 x 1.625
—	710-0606	Hex Screw, ¼-20 x 1.50
8.	710-1233	Machine Screw, ¼-20 x .50
9.	710-3069	Socket Head Cap Screw, ¼-20 x .50
10.	712-04063	Flange Lock Nut, ⅝-18
11.	712-04064	Flange Lock Nut, ¼-20
12.	712-04081A	Hex Nut, ¼-20
13.	714-0145	Click Pin, .092 x 1.64
14.	720-0274	Grip, 1.0 ID x 5.0 LG
15.	720-04039	Shift Knob
16.	731-04894D	Lock Plate
17.	731-04896B	Clutch Lock Cam
18.	732-0193	Compression Spring, .39 x .60 x .88
19.	732-04219C	Clutch Lock Spring
20.	732-04238	Torsion Spring, 0.8156 ID x .3038
21.	735-0199A	Rubber Bumper, .62 OD x .22 Thick
22.	736-0262	Flat Washer, .385 x .870 x .092
23.	736-04118	Shoulder Bolt, ⅝-18 x .905
24.	738-04348	Shoulder Screw, .437 x 1.345 x ¼-20
25.	746-04397	Speed Selector Cable
26.	790-00219	Handle Panel
27.	790-00248B	Panel Bracket
28.	790-00313	Speed Shift Lever
29.	747-04784	Cable Guide (B & S Engine)
30.	710-04484	Hex Washer Screw, ⅝-18 x .750 (B & S Engine)

# F-Style Panel



Ref.	Part Number	Description
1.	631-04133A	Clutch Lock Handle Assembly, LH
2.	631-04134B	Clutch Lock Handle Assembly, RH
3.	684-04105B	Engagement Assembly, LH
4.	684-04106B	Engagement Assembly, RH
5.	684-04250	Clutch Pivot Lock Rod Assembly
6.	710-04326	Hex Washer Screw, #8-16 x .50
7.	710-04586	Hex Washer Screw, ¼-20 x .620
8.	710-1233	Machine Screw, #10-24 x 1.375
9.	710-3069	Socket Screw, ¼-20 x .50
10.	712-04063	Flange Lock Nut, ⅝-18
11.	712-04081A	Hex Nut, ¼-20
12.	714-0145	Click Pin, .092 x 1.64
13.	720-0274	Grip, 1.0 ID x 5.0 LG
14.	720-04039	Shift Knob
15.	725-04622	Snow Thrower Harness
16.	725-1658	Halogen Lamp
17.	725-1672	Lens/Lamp Assembly Housing
18.	726-0154	Cable Tie
19.	731-04894D	Lock Plate
20.	731-04896B	Clutch Lock Cam
21.	732-0193	Compression Spring, .39 x .60 x .88
22.	732-04219C	Clutch Lock Spring
23.	732-04238	Torsion Spring, .8156 ID x .3038
24.	735-0199A	Rubber Bumper, .62 OD x .22 Thick
25.	736-0262	Flat Washer, .385 x .870 x .092
26.	738-04118	Shoulder Bolt, ⅝-18 x .905
27.	738-04348	Shoulder Screw, .437 x 1.345 x ¼-20
28.	746-04397	Speed Selector Cable
29.	747-1136	Headlight Retainer
30.	790-00209	Handle Panel
31.	790-00248B	Panel Bracket
32.	790-00313	Speed Shift Lever

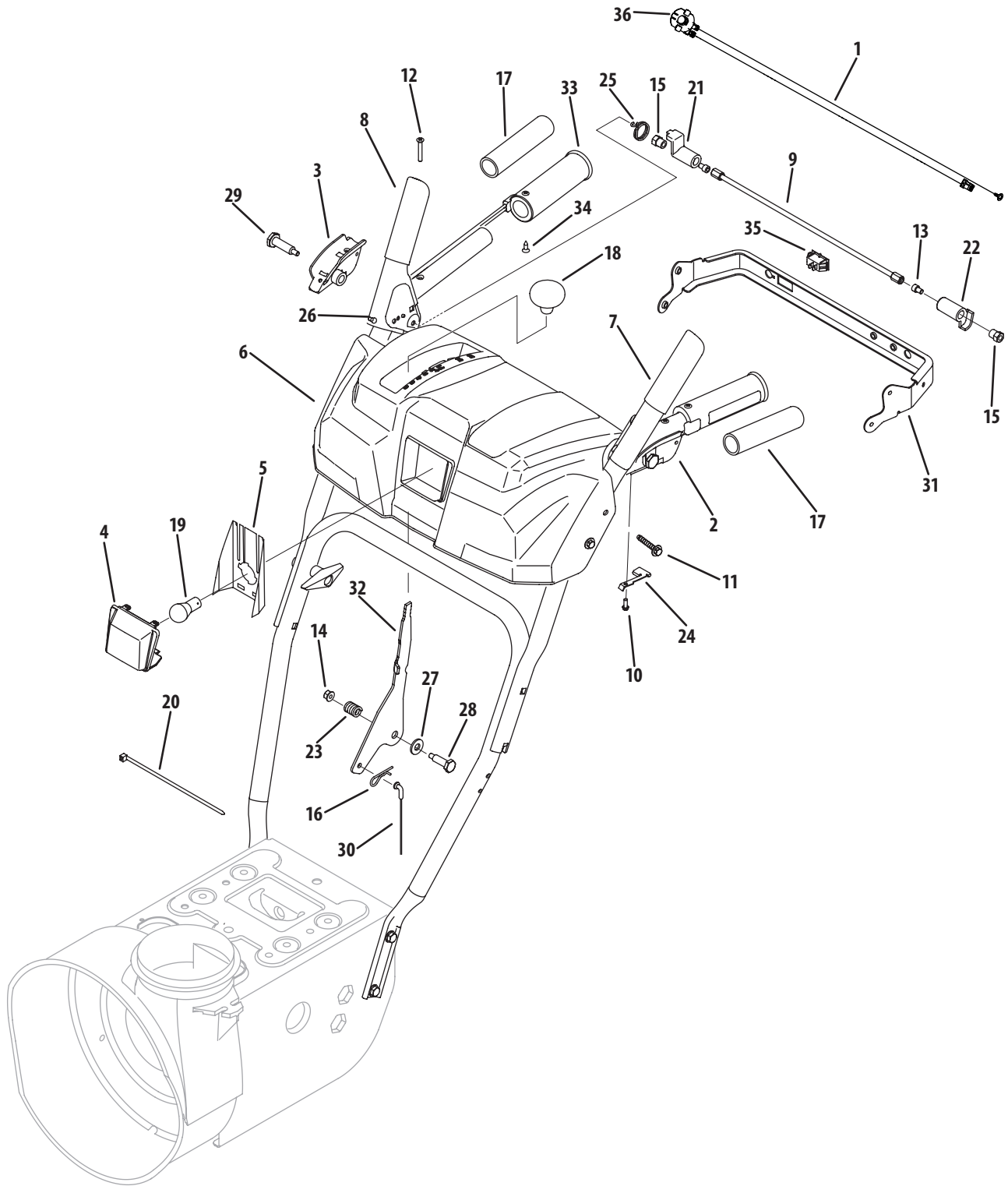
# K-Style Panel





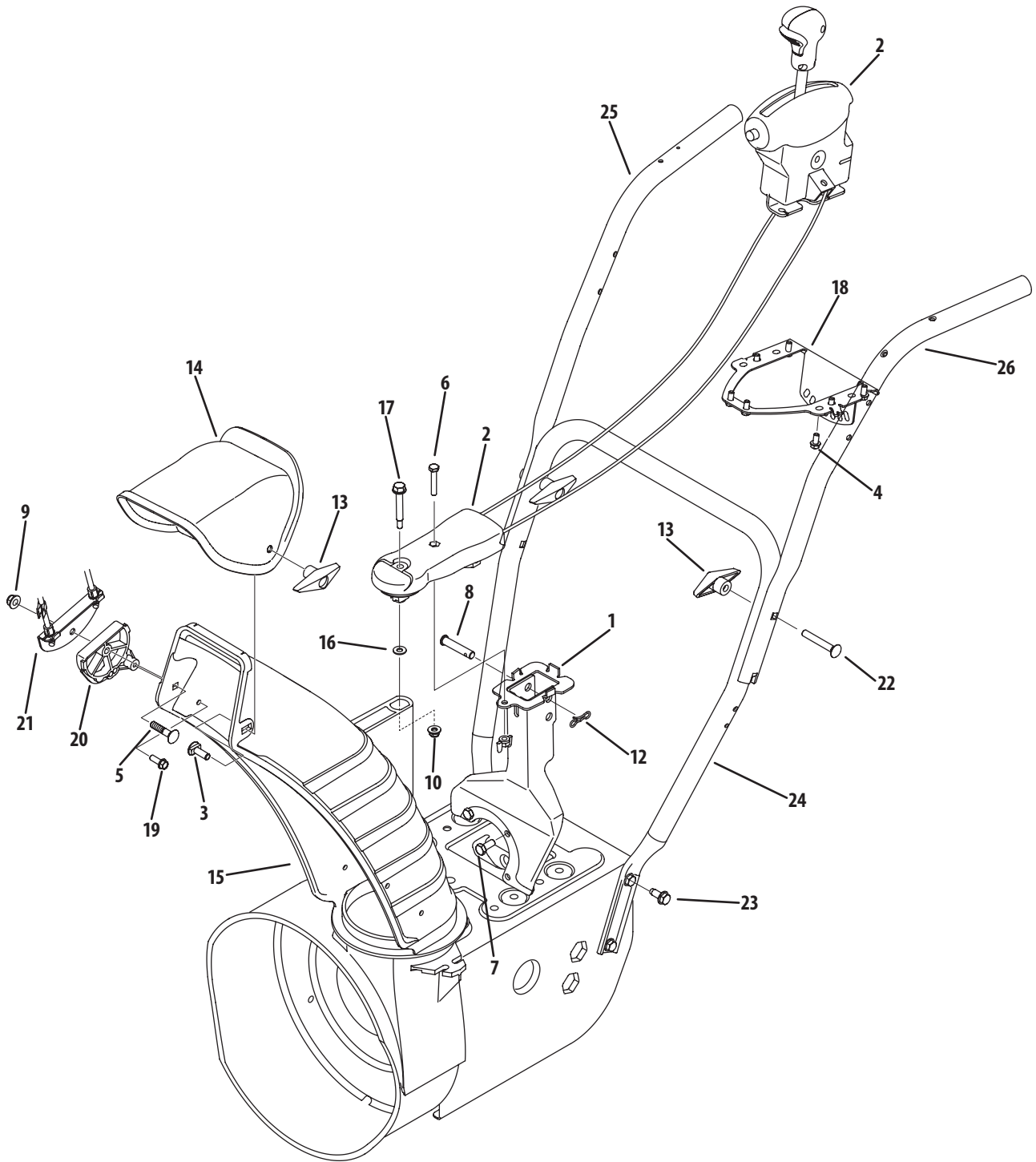
Ref.	Part Number	Description
1.	631-04133A	Clutch Lock Handle Assembly, LH
2.	631-04134B	Clutch Lock Handle Assembly, RH
3.	631-04186	Handle Panel
4.	684-04105B	Engagement Assembly, LH
5.	684-04106B	Engagement Assembly, RH
6.	684-04250	Clutch 736- Lock Rod Assembly
7.	710-04326	Hex Washer Screw, #8-16 x .50
8.	710-04586	Hex Washer Screw, ¼-20 x 1.625
9.	710-0837	Screw, #10-16 x .625
10.	710-1233	Machine Screw, #10-24 x 1.375
11.	710-3069	Socket Screw, ¼-20 x .50
12.	712-04064	Flange Lock Nut, ¼-20
13.	712-04081A	Hex Nut, ¼-20
14.	714-0145	Click Pin, .092 x 1.64
15.	720-04039	Shift Knob
16.	725-0157	Cable Tie
17.	725-04213	Lamp
18.	725-04216A	Wire Harness
19.	725-04393	Heated Grip Switch
20.	725-1649	Nylon Socket
21.	725-1757	Heated Grip
22.	731-04894D	Lock Plate
23.	731-04896B	Clutch Lock Cam
24.	723-0193	Compression Spring, .39 x .60 x .88
25.	732-04219C	Clutch Lock Spring
26.	732-04238	Torsion Spring, .8156 ID x .3038
27.	735-0199A	Rubber Bumper, .62 OD x .22 Thick
28.	736-0267	Flat Washer, .385 x .87 x .06
29.	738-04125	Shoulder Screw, .374 Dia. x 1.05 LG.
30.	738-04348	Shoulder Screw, .437 x 1.345 x ¼-20
31.	746-04396	Speed Selector Cable
32.	790-00248B	Panel Bracket
33.	790-00311	Shift Lever
34.	731-05320	Headlight Lens
35.	777X41803	YM Lens Label

# P/Q-Style Panel



Ref.	Part Number	Description
1.	725-04314	Wire Harness
2.	631-04133A	Clutch Lock Handle Assembly, LH
3.	631-04134B	Clutch Lock Handle Assembly, RH
4.	731-05319	Lens
5.	777X41805	Lens Label
6.	731-05332	Troy-Bilt Handle Panel
7.	684-04105B	Engagement Assembly, LH
8.	684-04106B	Engagement Assembly, RH
9.	684-04250	Clutch Pivot Lock Rod Assembly
10.	710-04326	Plastic Screw, #8-16 x .50
11.	710-04586	Hex Washer Screw, ¼-20 x 1.625
12.	710-1233	Screw, #10-24 x 1.375
13.	710-3069	Socket Screw, ¼-20 x .50
14.	712-04064	Flange Lock Nut, ¼-20
15.	712-04081A	Hex Nut, ¼-20
16.	714-0145	Click Pin, .092 x 1.64
17.	720-0274	Grip, 1.0 x 5.0
18.	720-04039	Shift Knob
19.	725-1629	Lamp
20.	726-0154	Cable Tie
21.	731-04894D	Plate Lock
22.	731-04896B	Clutch Lock
23.	732-0193	Compression Spring .39 x .60 x .88
24.	732-04219C	Clutch Lock Spring
25.	732-04238	Torsion Spring, .80156 ID x .3038
26.	735-0199A	Rubber Bumper, .62 OD x .22
27.	736-0267	Flat Washer, .385 x .87 x .06
28.	738-04125	Shoulder Screw, .374 x 1.05
29.	738-04348	Shlder. Screw, .437 x 1.345 x ¼-20
30.	746-04396	Speed Selector Cable
31.	790-00248B	Panel Bracket
32.	790-00311	Shift Lever
33.	725-1757	Heated Grip
34.	710-0837	Screw, #10-16 x .625
35.	725-04393	Heated Grip Switch
36.	725-1649	Nylon Socket

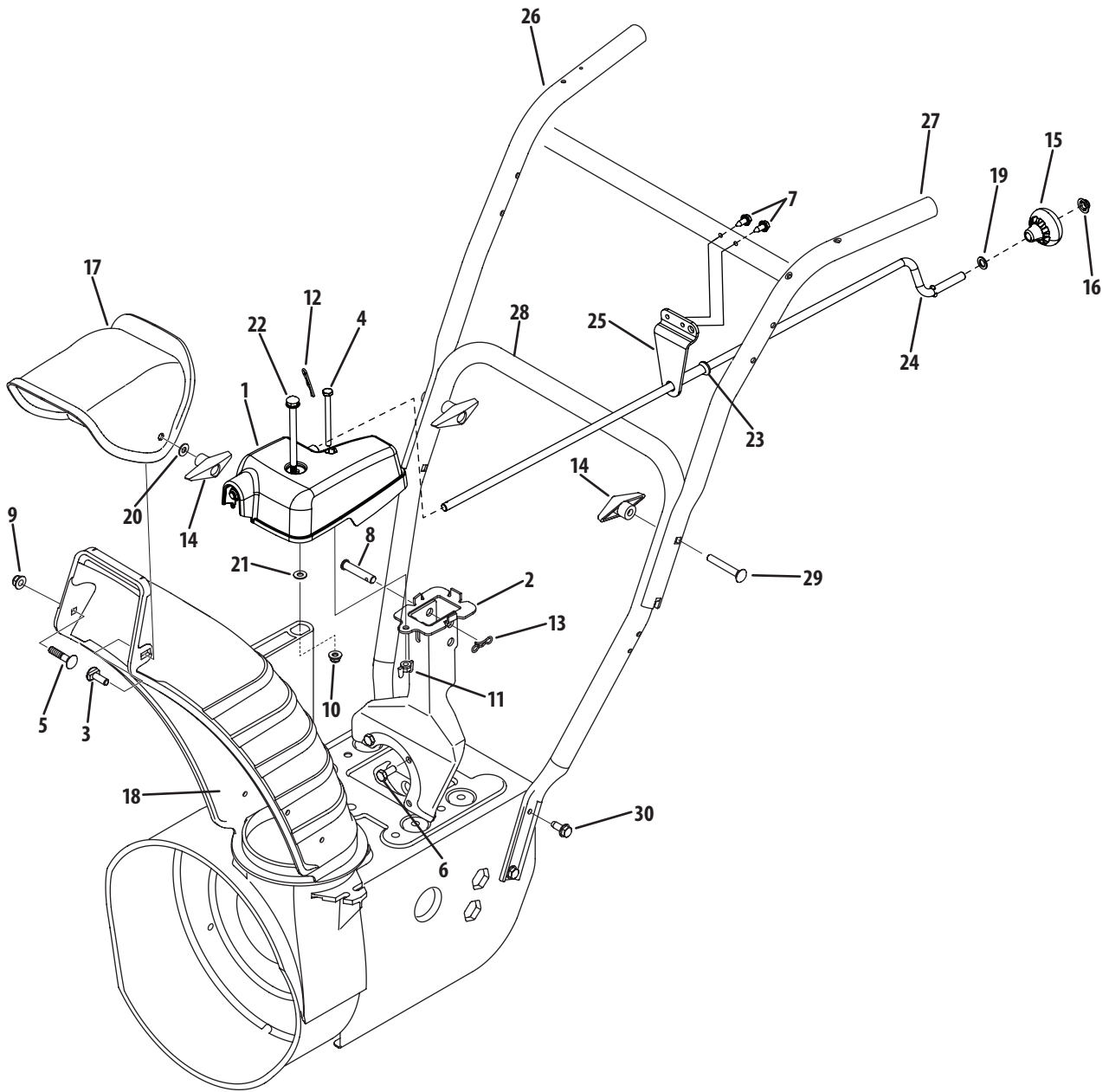
## 2-way & 4-way Extended Chute



## 2-way & 4-way Extended Chute

Ref.	Part Number	Description
1.	684-04311	Chute Support Bracket
2.	684-04331	4-way Extended Chute Control
—	684-04334	2-way Extended Chute Control
3.	710-04071	Carriage Bolt, $\frac{5}{16}$ -18 x 1.00
4.	710-04187	Hex Washer Screw, $\frac{1}{4}$ -15 x .50
5.	710-0451	Carriage Bolt, $\frac{5}{16}$ -18 x .750 (2-way)
—	710-0262	Carriage Bolt, $\frac{5}{16}$ -18 x 1.50 (4-way)
6.	710-0606	Hex Screw, $\frac{1}{4}$ -20 x 1.50
7.	710-0627	Hex Screw, $\frac{5}{16}$ -24 x .750
8.	711-04469A	Clevis Pin, $\frac{3}{8}$ -1.87
9.	712-04063	Flange Lock Nut, $\frac{5}{16}$ -18
10.	712-04064	Flange Lock Nut, $\frac{1}{4}$ -20
11.	712-3087	Wing Nut, $\frac{1}{4}$ -20
12.	714-04040	Bow-tie Cotter Pin
13.	720-0284	Wing Knob, $\frac{5}{16}$ -18
14.	731-04426A	Upper Chute (2-way)
—	731-04427A	Upper Chute (4-way)
15.	731-06440	Lower Chute, 5.0
16.	736-0463	Flat Washer, .25 x .630 x .0515
17.	738-04194	Shoulder Screw, .312 x 1.70 x $\frac{1}{4}$ -20
18.	790-00131A	Lock Control Bracket
19.	710-0895	Hex Wshr. Screw, $\frac{1}{4}$ -15 x .750 (4-way)
20.	731-06451	Chute Tilt Cable Guide (4-way)
21.	784-5594	Cable Bracket (4-way)
22.	710-0449	Carriage Screw, $\frac{5}{16}$ -18 x 2.25
23.	710-04484	Hex Washer Screw, $\frac{5}{16}$ -18 x .750
24.	749-04138A	Lower Handle
25.	749-04190A	Upper Handle, RH
26.	749-04191A	Upper Handle, LH

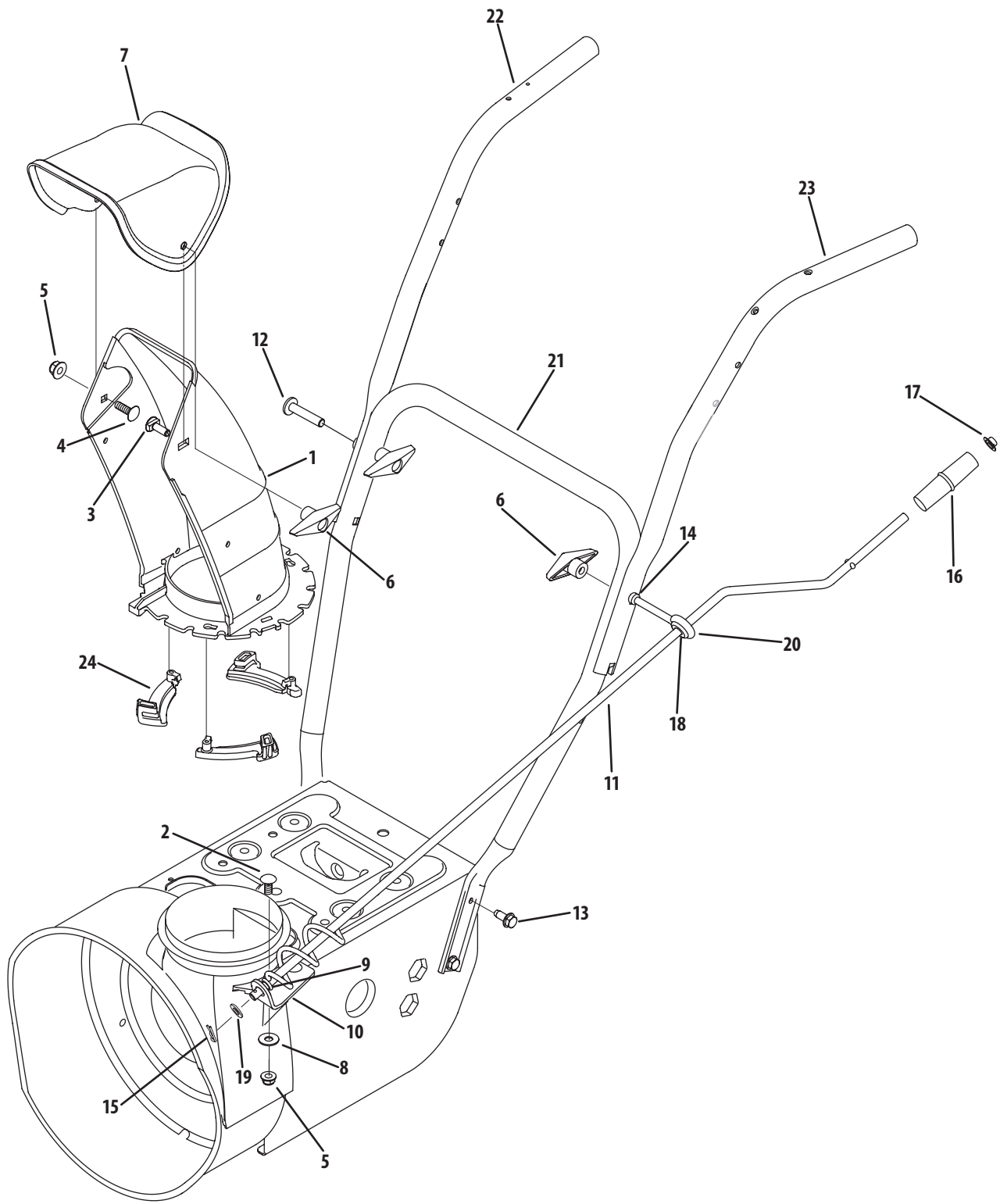
# Extended Chute — Briggs & Stratton and Tecumseh Engines



## Extended Chute — Briggs & Stratton and Tecumseh Engines

Ref.	Part Number	Description
1.	618-04748	Chute Rotation Gear Box
2.	684-04311	Chute Support Bracket
3.	710-04071	Carriage Bolt, $\frac{5}{16}$ -18 x .750
4.	710-04370	Hex Screw, $\frac{1}{4}$ -20 x 3.00
5.	710-0451	Carriage Bolt, $\frac{5}{16}$ -18 x .750
6.	710-0627	Hex Lock Screw, $\frac{5}{16}$ -24 x .750
7.	710-1652	Hex Washer Screw, $\frac{1}{4}$ -20 x .625
8.	711-04469A	Clevis Pin, $\frac{3}{8}$ -1.87
9.	712-04063	Flange Lock Nut, $\frac{5}{16}$ -18
10.	712-04064	Flange Lock Nut, $\frac{1}{4}$ -20
11.	712-3087	Wing Nut, $\frac{1}{4}$ -20
12.	714-0101	Cotter Pin, .08 x 1.42
13.	714-04040	Bow-tie Cotter Pin
14.	720-0284	Wing Knob, $\frac{5}{16}$ -18
15.	720-04102	Shift Knob, .390
16.	726-0100	Push Cap, $\frac{3}{8}$
17.	731-04426A	Upper Chute
18.	731-06440	Lower Chute, 5.0
19.	736-0140	Flat Washer, .385 x .62 x .063
20.	736-0159	Flat Washer, .349 x .879 x .063
21.	736-0463	Flat Washer, .25 x .630 x .0515
22.	738-04367	Shoulder Screw, .312 x .5 x $\frac{1}{4}$ -20
23.	741-0475	Plastic Bushing
24.	747-05006	Chute Crank
25.	790-00341	Rod Support Bracket
26.	749-04190A	Upper Handle, RH
27.	749-04191A	Upper Handle, LH
28.	749-04138A	Lower Handle
29.	710-0449	Carriage Screw, $\frac{5}{16}$ -18 x 2.25
30.	710-04484	Hex Washer Screw, $\frac{5}{16}$ -18 x .750

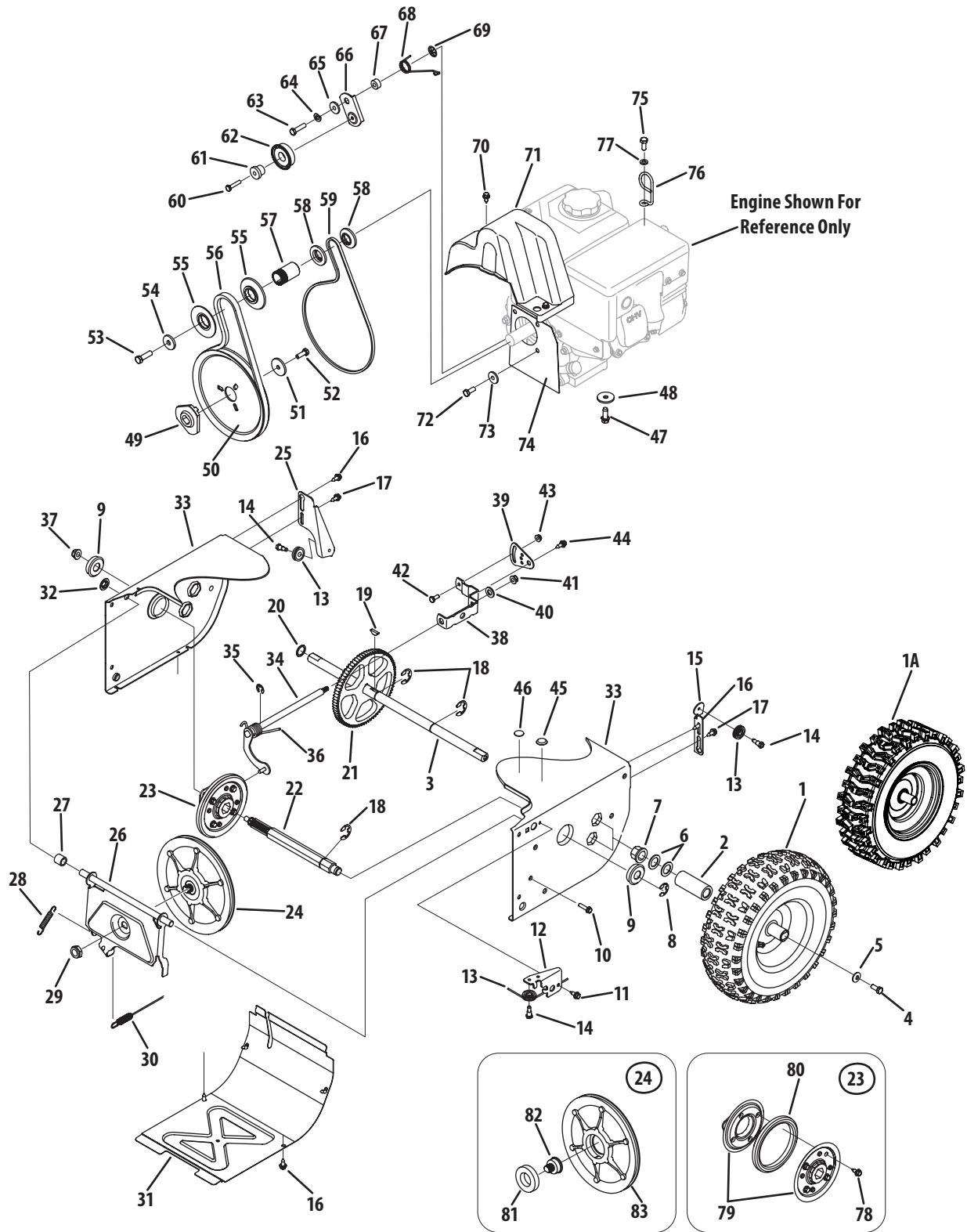
# Standard 2-way Chute





Ref.	Part Number	Description
1.	631-04131B	Chute Assembly
2.	710-0276	Carriage Screw, 5/16-18 x 1.00
3.	710-04071	Carriage Bolt, 5/16-18 x 1.00
4.	710-0451	Carriage Bolt, 5/16-18 x .750
5.	712-04063	Flange Lock Nut, 5/16-18
6.	720-0284	Wing Knob
7.	731-04426A	Upper Chute
8.	736-0159	Flat Washer, .349 x .879 x .063
9.	741-0475	Plastic Bushing, .380 ID
10.	784-5647	Chute Crank Bracket
11.	684-04104	Chute Crank Assembly
12.	710-0449	Carriage Screw, 5/16-18 x 2.25
13.	710-04484	Hex Washer Screw, 5/16-18 x .750
14.	712-3010	Hex Nut, 5/16-18
15.	714-0104	Cotter Pin, .072 x 1.13
16.	720-0201A	Chute Crank Knob
17.	726-0100	Push Rod Cap, 3/8
18.	735-0234	Rubber Grom., .44 ID x .94 OD x .50
19.	736-0185	Flat Washer, .375 x .738 x .063
20.	747-0697	Chute Crank Eye Bolt, .70
21.	749-04138A	Lower Handle
22.	749-04190A	Upper Handle, RH
23.	749-04191A	Upper Handle, LH
24.	731-04869	Chute Flange Keeper

# Drive System



Ref.	Part Number	Description
1.	634-04141	Snow Hog Wheel, 16 x 4.8
—	634-04142A	Snow Hog Wheel, 15 x 5
—	634-04144A	Snow Hog Wheel, 13 x 4
1A.	634-04145	X-Trac Wheel, 16 x 4.8 x 8 (RH)
—	634-04146	X-Trac Wheel, 16 x 4.8 x 8 (LH)
2.	731-04873	Spacer, 1.25 OD x .75 ID x 3.00
3.	738-04168	Axle, .75 x 22
4.	710-0627	Hex Lock Screw, 5/16-24 x .750
5.	736-0242	Bell Washer, .340 x .872 x .060
6.	736-0287	Flat Washer, .793 x 1.24 x .06
7.	741-0245	Hex Flange Bearing, .75 ID
8.	716-0231	E-Ring, .750
9.	741-0563	Ball Bearing, 17 x 40 x 12
10.	710-0788	Hex Washer Screw, 1/4-20 x 1.000
11.	710-1652	Hex Washer Screw, 1/4-20 x .625
12.	790-00096	Auger Cable Guide Bracket
13.	756-0625	Cable Roller
14.	738-0924A	Shoulder Screw, .340 x .335 x 1/4-28
15.	790-00206A	Clutch Cable Guide Bracket
16.	710-1652	Hex Washer Screw, 1/4-20 x .625
17.	738-04184A	Shoulder Screw, .368 x .113 x 1/4-20
18.	716-0136	E-Ring, .875
19.	714-0126	Hi-Pro Key, 3/16 x 3/4
20.	736-04161	Flat Washer, .75 x 1.00 x .06
21.	717-04230	Gear, 80 Tooth
22.	717-04209A	Hex Shaft, .8125 7 Tooth
23.	684-04153	Friction Wheel Assembly, 5.5 OD
24.	656-04025A	Friction Disc Assembly
25.	790-00207B	Drive Cable Guide Bracket
26.	684-04154	Friction Wheel Support Bracket
27.	748-0190	Spacer, .508 ID x .750 OD x .68

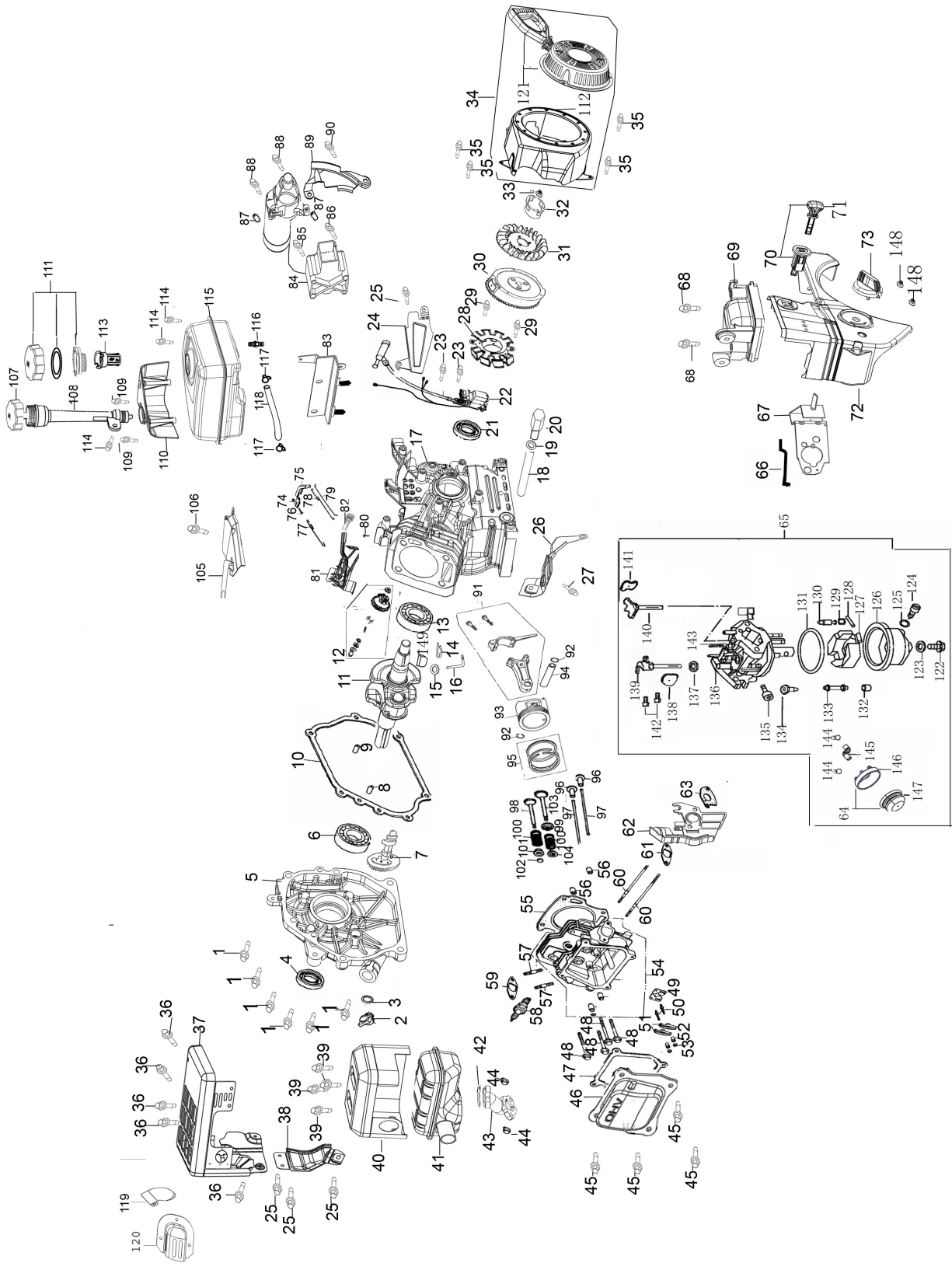
Ref.	Part Number	Description
28.	732-0264	Extension Spring, .380 OD x 2.500
29.	712-0417A	Flange Nut, 5/8-18
30.	746-04229	Wheel Drive Cable
31.	790-00316	Frame Cover
32.	726-0221	Speed Nut, .500
33.	790-00180A	Wheel Drive Frame
34.	684-04156A	Rod Shift Assembly
35.	716-0104	E-Ring
36.	732-04311	Torsion Spring, .750 ID x .968
37.	712-04065	Flange Lock Nut, 3/8-16
38.	790-00218A	Speed Selector Shift Bracket
39.	790-00217A	Speed Selector Pivot Bracket
40.	736-3015	Flat Washer, .469 x .875 x .105
41.	710-04063	Flange Lock Nut, 5/16-18
42.	710-0751	Hex Screw, 1/4-20 x .620
43.	712-04064	Flange Lock Nut, 1/4-20
44.	738-04184A	Shoulder Screw, .368 x .113 x 1/4-20
45.	735-04099	Plug, 3/8 ID
46.	735-04100	Plug, 1/2 ID
47.	710-0654A	Hex Washer Screw, 3/8-16 x 1.000
48.	736-0320	Flat Wsh., .38 x 1.38 x .125 (Tec/B&S)
49.	748-04053A	Pulley Adapter
50.	756-04109	Auger Belt Pulley
51.	736-0505	Flat Washer, .34 x 1.50 x .150
52.	710-1245B	Hex Screw, 5/16-24 x .875
53.	710-0191	Hex Screw, 3/8-24 x 1.25
54.	736-0247	Flat Washer, .406 x 1.25 x .157
55.	756-04113	Pulley Half
56.	754-04050	Belt
57.	750-04303	Spacer, .875 ID x 1.185 OD
58.	756-04252	Pulley Half

## Drive System

Ref.	Part Number	Description
59.	754-0367	V-Belt
60.	710-0809	Hex Washer Screw, 1/4-20 x 1.250
61.	750-04571	Shoulder Spacer, .260 x .785 x .538
62.	684-04169	Idler Puller Assembly
63.	710-0672	Hex Screw, 5/16-24 x 1.25
64.	736-0119	Lock Washer, 5/16
65.	748-04112B	Shlder. Spcr., .3175 ID x .500 x .0975
66.	790-00208C	Wheel Drive Idler Bracket
67.	750-04477	Spacer, .340 x .750 x .360
68.	732-04308A	Torsion Spring, .850 ID x .333
69.	726-04012	Push-on Nut, .25
70.	710-1652	Hex Washer Screw, 1/4-20 x .625
71.	731-05353	Belt Cover
—	731-04792A	Belt Cover
72.	710-0627	Hex Lock Screw, 5/16-24 x .750
73.	748-0234	Shoulder Spacer
74.	790-00289A	Cover Plate
75.	710-04022	Hex Screw, 1.25 x 20 (ZS Engine)
76.	732-0705	Cable Control Wire (ZS)
77.	736-0264	Flat Washer, .330 x .630 x .0635 (ZS)
78.	710-0896	Hex Washer Screw, 1/4-14 x .625
79.	790-00174	Friction Wheel Plate
80.	735-04054	Friction Wheel
81.	738-04164A	Friction Disc Bearing Pin
82.	741-04098	Ball Bearing, 30 x 55 x 13
83.	756-04177	Friction Wheel Disc, .060 x 8.0
—	618-0063A	Bearing Assembly (Not Shown)



# 179/208 cc ZS 365/370-SUA Engine



## 179/208 cc ZS 365/370-SUA Engine

Part No.	Description	Ref. No.
751-10724	Short Block Assembly	—
	Bolt	1
	Oil Filler Plug	2
	O-ring	3
	Oil seal, 25 × 41.25 × 6	4
	Crankcase cover	5
	Radial Ball Bearing	6
	Camshaft Assembly	7
	Dowel Pin, 9 × 14	8
	Dowel Pin, 7 × 14	9
	Crankcase Cover Gasket	10
	Crankshaft Complete	11
	Governor Kit	12
	Radial Ball Bearing	13
	Pin Lock	14
	O-ring, 5.2 × 1.9	15
	Governor Arm	16
	Crankcase	17
	Oil-Draining Pipe	18
	Washer, 10 × 16 × 1.5	19
	Drain Bolt, 10 × 1.25	20
	Oil Seal, 25 × 41.25 × 6	21
	Cylinder Head Gasket	55
	Dowel Pin, 10 × 16	56
	Gasket Muffler	59
	Insulator Gasket Carburetor	61
	Insulator Carburetor	62
	Connecting Rod Assembly	91
	Piston Pin Clip	92
	Piston	93
	Pin Piston	94

Part No.	Description	Ref. No.
751-10722	Cylinder Head Assembly	—
	Valve Cover Gasket	47
	Plate Push Rod Guide	49
	Pivot Bolt	50
	Rocker Arm	51
	Valve Adjusting Nut	52
	Pivot Locking Nut	53
	Cylinder Head Complete	54
	Cylinder Head Gasket	55
	Gasket Muffler	59
	Exhaust Valve	98
	Valve Seal	99
	Spring Valve	100
	Exhaust Valve Spring Retainer	101
	Exhaust Valve Adjuster	102
	Intake Valve	103
	Internal Valve Spring Retainer	104
751-10723	Gasket Kit - Complete	—
	Crankcase Cover Gasket	10
	O-ring, 5.2 × 1.9	15
	Oil-Draining Pipe	18
	Washer, 10 × 16 × 1.5	19
	Drain Bolt, 10 × 1.25	20
	Oil Seal, 25 × 41.25 × 6	21
	Gasket	42
	Valve Cover Gasket	47
	Cylinder Head Gasket	55
	Gasket Muffler	59
	Carburetor Insulator Gasket	61
	Carburetor Insulator	62
	Carburetor Gasket	63
	Push Rod	97
	Exhaust Valve	98
	Intake Valve	103

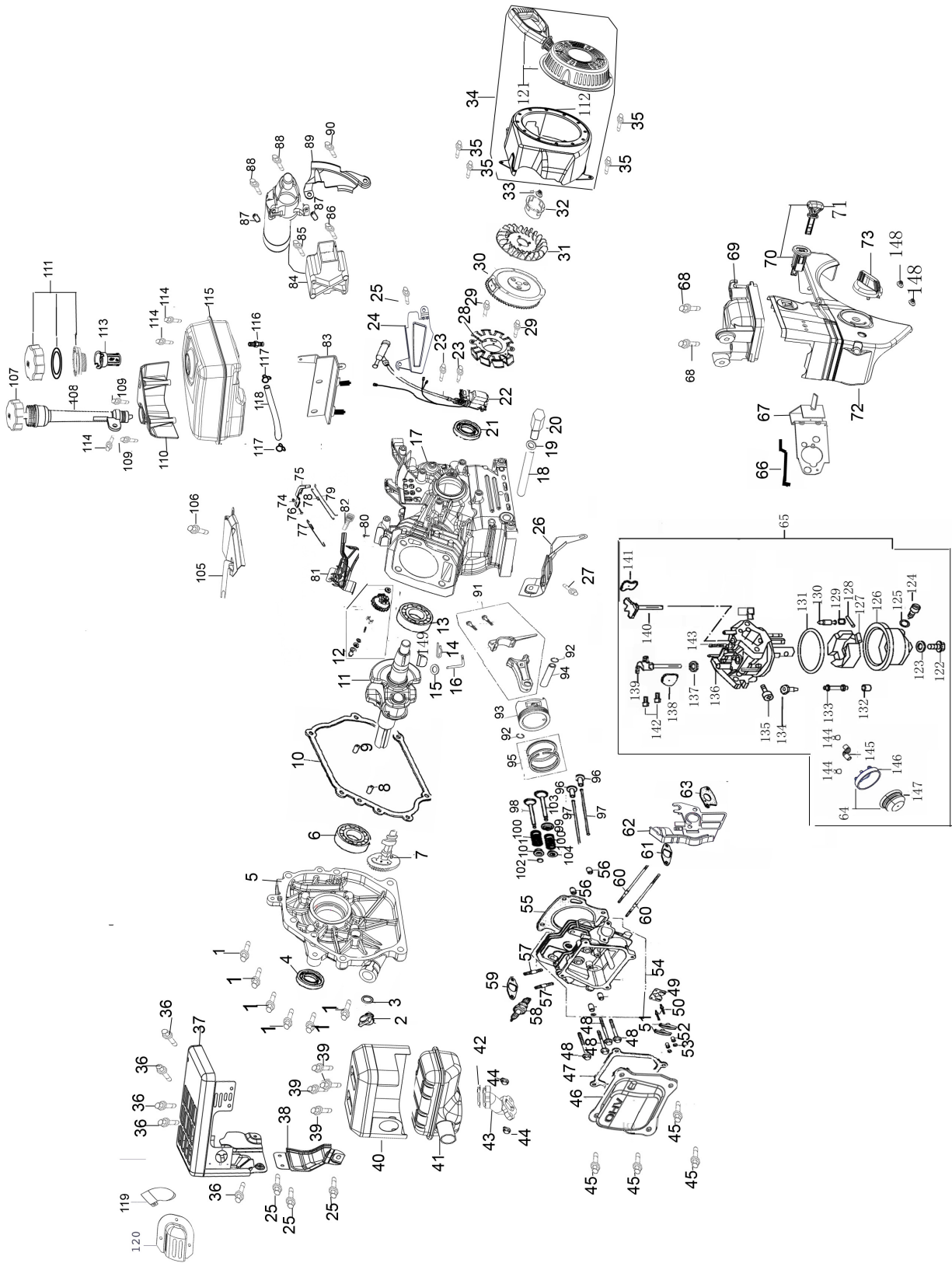
# 179/208 cc ZS 365/370-SUA Engine

Part No.	Description	Ref. No.	Part No.	Description	Ref. No.
751-10952	Gasket Kit - External	—	751-10911	Starter Cup	32
	Valve Cover Gasket	47	751-10642A	Muffler Shroud	37
	Gasket Muffler	59	751-10643	Muffler Shield	40
	Carburetor Insulator Gasket	61	751-10644	Muffler Complete	41,
	Carburetor Insulator	62		Exhaust Pipe	43
	Gasket Carburetor	63	751-10666	Gasket	42
751-10974	Carburetor Assembly (365-SUA)	65	751-10657	Muffler Stud Assembly, 8 × 34	57
751-10638	Carburetor Assembly (370-SUA)	65	751-10292	Spark Plug	58
	Fuel Drain Plug	122	751-10640	Choke Push Rod	66
	Fuel Cup Fixed Bolt Packing	123	751-10635	Air Filter Heating Pipe Cover	69
	Fuel Drain Plug	124	751-10637	Key Switch	70
	Fuel Drain Plug Gasket	125	751-10630	Key	71
	Fuel Cup	126	751-10634	Shroud	72
	Float	127	751-10636	Choke Knob	73
	Floating Pin	128	751-10654	Spring Governor	77
	Needle Valve Spring	129	751-10664	Spring Throttle Return	78
	Needle Valve	130	751-10665	Rod Governor	79
	O-ring Packing	131	751-10758	Throttle Control Assembly	81
	Main Jet	132	751-10757	Throttle Control Knob	82
	Main Nozzle	133	751-10645A	Electric Starter, 110v	84
	Idle Jet Assembly	134	751-10648	Push Rod Kit	97
	Idle Speed Adjusting Screw	135	751-10647	Valve Kit	98,
	Carburetor Body	136			103
	Fiber Seal	137	751-10655	Dipstick	107
	Choke Plate	138	751-10656	Dipstick Base	108
	Throttle Shaft	139	751-10662	Dipstick Decoration Cover	110
	Choke Plate	140	751-10649	Fuel Tank Cap	111
	Choke Shaft	141	751-10663A	Blower Housing	112
	Cross Screw	142	751-10652	Fuel Filter	113
	Position Spring	143	751-10653A	Fuel Tank	115
	Clip	144	751-10651	Nipple Fuel Tank	116
	Fuel Hose	145	751-10650	Fuel Line Kit	117,
	Primer Base	146			118
	Primer Bulb	147	751-10658	Recoil Starter Assembly	121
				Starter Handle	—
751-10641	Oil Drain Assembly	18, 19, 20	751-10639	Primer	147
751-10646	Ignition Module	22	751-10307	Woodruff Key	149
751-10719	Stator	28	952Z370-SUA	Complete 370-SUA Engine	—
751-10805	Flywheel	30	952Z365-SUA	Complete 365-SUA Engine	—
751-10909	Cooling Fan	31			





# 179 cc ZS 165-SU Engine



## 179 cc ZS 165-SU Engine

Part No.	Description	Ref. No.
751-10724	Short Block Assembly	—
	Bolt	1
	Oil Filler Plug	2
	O-ring	3
	Oil seal, 25 × 41.25 × 6	4
	Crankcase cover	5
	Radial Ball Bearing	6
	Camshaft Assembly	7
	Dowel Pin, 9 × 14	8
	Dowel Pin, 7 × 14	9
	Crankcase Cover Gasket	10
	Crankshaft Complete	11
	Governor Kit	12
	Radial Ball Bearing	13
	Pin Lock	14
	O-ring, 5.2 × 1.9	15
	Governor Arm	16
	Crankcase	17
	Oil-Draining Pipe	18
	Washer, 10 × 16 × 1.5	19
	Drain Bolt, 10 × 1.25	20
	Oil Seal, 25 × 41.25 × 6	21
	Cylinder Head Gasket	55
	Dowel Pin, 10 × 16	56
	Gasket Muffler	59
	Insulator Gasket Carburetor	61
	Insulator Carburetor	62
	Connecting Rod Assembly	91
	Piston Pin Clip	92
	Piston	93
	Pin Piston	94

Part No.	Description	Ref. No.
751-10722	Cylinder Head Assembly	—
	Valve Cover Gasket	47
	Plate Push Rod Guide	49
	Pivot Bolt	50
	Rocker Arm	51
	Valve Adjusting Nut	52
	Pivot Locking Nut	53
	Cylinder Head Complete	54
	Cylinder Head Gasket	55
	Gasket Muffler	59
	Exhaust Valve	98
	Valve Seal	99
	Spring Valve	100
	Exhaust Valve Spring Retainer	101
	Exhaust Valve Adjuster	102
	Intake Valve	103
	Internal Valve Spring Retainer	104
751-10723	Gasket Kit - Complete	—
	Crankcase Cover Gasket	10
	O-ring, 5.2 × 1.9	15
	Oil-Draining Pipe	18
	Washer, 10 × 16 × 1.5	19
	Drain Bolt, 10 × 1.25	20
	Oil Seal, 25 × 41.25 × 6	21
	Gasket	42
	Valve Cover Gasket	47
	Cylinder Head Gasket	55
	Gasket Muffler	59
	Carburetor Insulator Gasket	61
	Carburetor Insulator	62
	Carburetor Gasket	63
	Push Rod	97
	Exhaust Valve	98
	Intake Valve	103

# 179 cc ZS 165-SU Engine

Part No.	Description	Ref. No.	Part No.	Description	Ref. No.
751-10952	Gasket Kit - External	—	751-10911	Starter Cup	32
	Valve Cover Gasket	47	751-10642A	Muffler Shroud	37
	Gasket Muffler	59	751-10643	Muffler Shield	40
	Carburetor Insulator Gasket	61	751-10644	Muffler Complete	41,
	Carburetor Insulator	62		Exhaust Pipe	43
	Gasket Carburetor	63	751-10666	Gasket	42
751-10974	Carburetor Assembly	65	751-10657	Muffler Stud Assembly, 8 × 34	57
	Fuel Drain Plug	122	751-10292	Spark Plug	58
	Fuel Cup Fixed Bolt Packing	123	751-10640	Choke Push Rod	66
	Fuel Drain Plug	124	751-10635	Air Filter Heating Pipe Cover	69
	Fuel Drain Plug Gasket	125	751-10637	Key Switch	70
	Fuel Cup	126	751-10630	Key	71
	Float	127	751-10634	Shroud	72
	Floating Pin	128	751-10636	Choke Knob	73
	Needle Valve Spring	129	751-10654	Spring Governor	77
	Needle Valve	130	751-10664	Spring Throttle Return	78
	O-ring Packing	131	751-10665	Rod Governor	79
	Main Jet	132	751-10758	Throttle Control Assembly	81
	Main Nozzle	133	751-10757	Throttle Control Knob	82
	Idle Jet Assembly	134	751-10648	Push Rod Kit	97
	Idle Speed Adjusting Screw	135	751-10647	Valve Kit	98,
	Carburetor Body	136			103
	Fiber Seal	137	751-10655	Dipstick	107
	Choke Plate	138	751-10656	Dipstick Base	108
	Throttle Shaft	139	751-10662	Dipstick Decoration Cover	110
	Choke Plate	140	751-10649	Fuel Tank Cap	111
	Choke Shaft	141	751-10663A	Blower Housing	112
	Cross Screw	142	751-10652	Fuel Filter	113
	Position Spring	143	751-10653A	Fuel Tank	115
	Clip	144	751-10651	Nipple Fuel Tank	116
	Fuel Hose	145	751-10650	Fuel Line Kit	117,
	Primer Base	146			118
	Primer Bulb	147	751-10658	Recoil Starter Assembly	121
				Starter Handle	—
751-10641	Oil Drain Assembly	18,	751-10639	Primer	147
		19,	751-10307	Woodruff Key	149
		20	952Z165-SU	Complete 165-SU Engine	—
751-10805	Flywheel	30			
751-10909	Cooling Fan	31			









To order replacement parts or locate your nearest service dealer call a Customer Support at (800) 800-7310.  
or visit [www.mtdproducts.com](http://www.mtdproducts.com) to find the nearest authorized dealer in your area.

---

**MTD LLC, P.O. BOX 361131 CLEVELAND, OHIO 44136-0019**

---