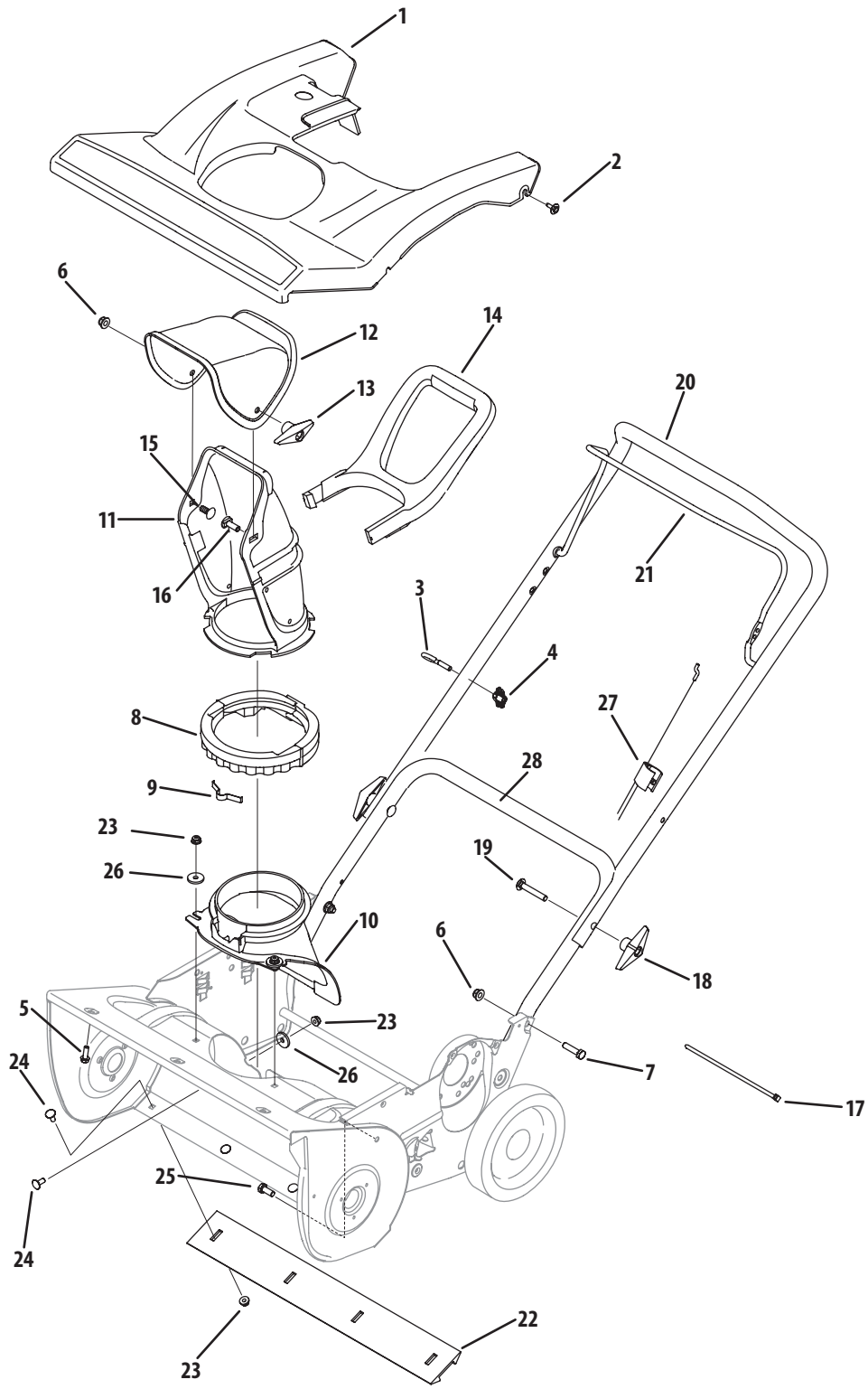


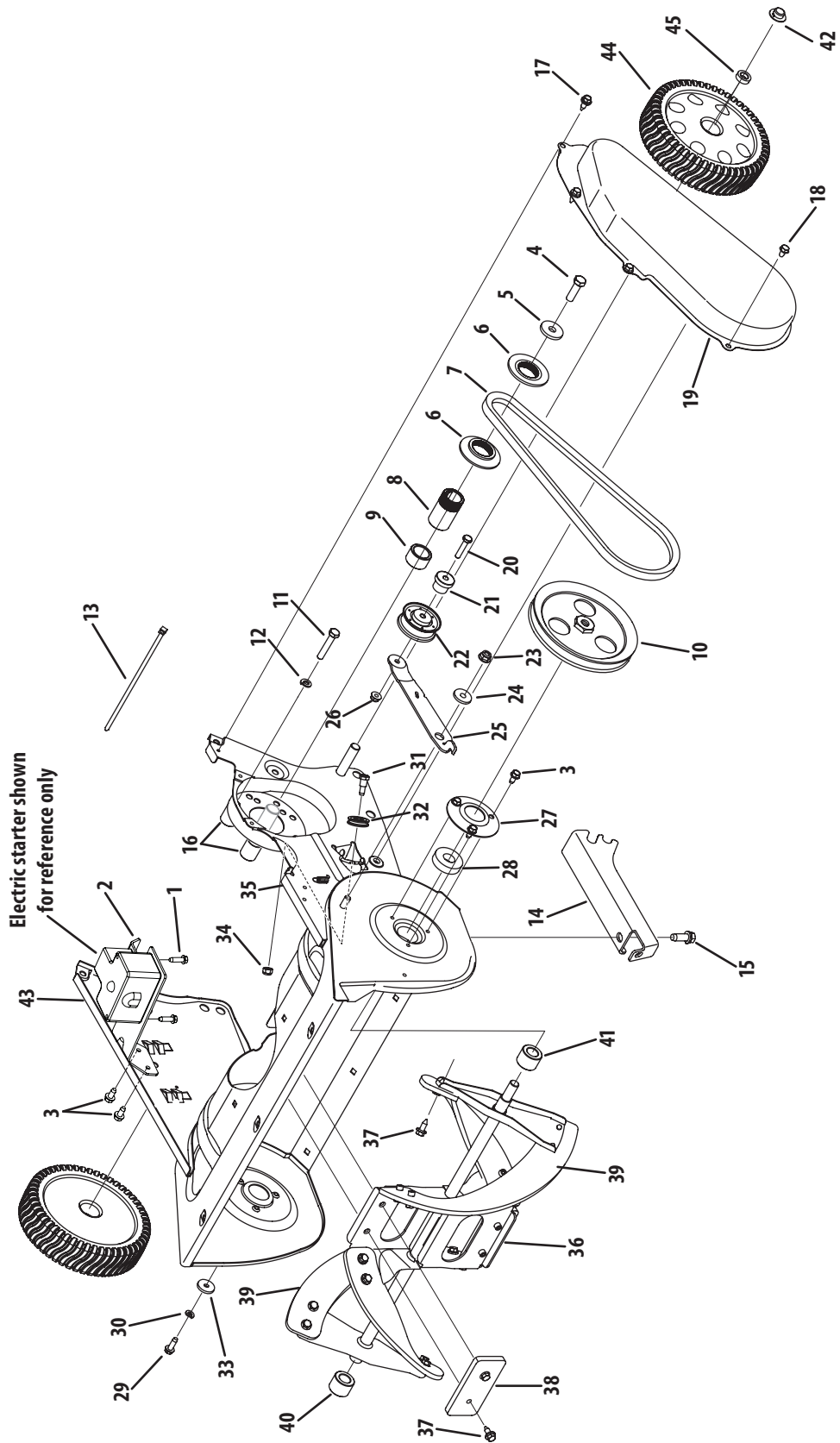
Troy-Bilt 2P5 Snow Thrower Shroud, Chute, Handle & Auger Housing



Troy-Bilt 2P5 Snow Thrower Shroud, Chute, Handle & Auger Housing

Ref.	Part Number	Description
1.	731-06452	Shroud
2.	710-04669	Hex Washer Screw, 10-16 x .625
3.	710-1205	Eye Bolt, ¼-20
4.	720-0279	Knob Handle
5.	710-0895	Hex Washer Screw, ¼-15 x .750
6.	712-04063	Flange Lock Nut, ⅝-18
7.	710-0528	Hex Screw, ⅝-18 x 1.25
8.	731-04353	Lower Chute Ring
9.	732-04111	Chute Adjustment Spring
10.	731-04886	Chute Adapter
11.	731-04127	Lower Chute, 5" Diameter
12.	731-04426A	Upper Chute
13.	720-0284	Wing Knob
14.	731-04388A	Chute Handle
15.	710-0451	Carriage Bolt, ⅝-18 x .750
16.	710-04071	Carriage Bolt, ⅝-18 x 1.00
17.	725-0157	Cable Tie, ⅜ x .05 x 7.4
18.	720-0284	Wing Nut
19.	710-04532	Carriage Screw, ⅝-18 x 2.00
20.	749-04106A	Gullwing Handle
21.	747-04159A	Gullwing Control Bail
22.	731-1033	Shave Plate, 21"
23.	712-04064	Flange Lock Nut, ¼-20
24.	710-0134	Carriage Screw, ¼-20 x .62
25.	710-3008	Hex Screw, ⅝-18 x .75
26.	736-0176	Flat Washer, .265 x .938 x .120
27.	746-04237	Clutch Cable
28.	749-04114	Lower Handle

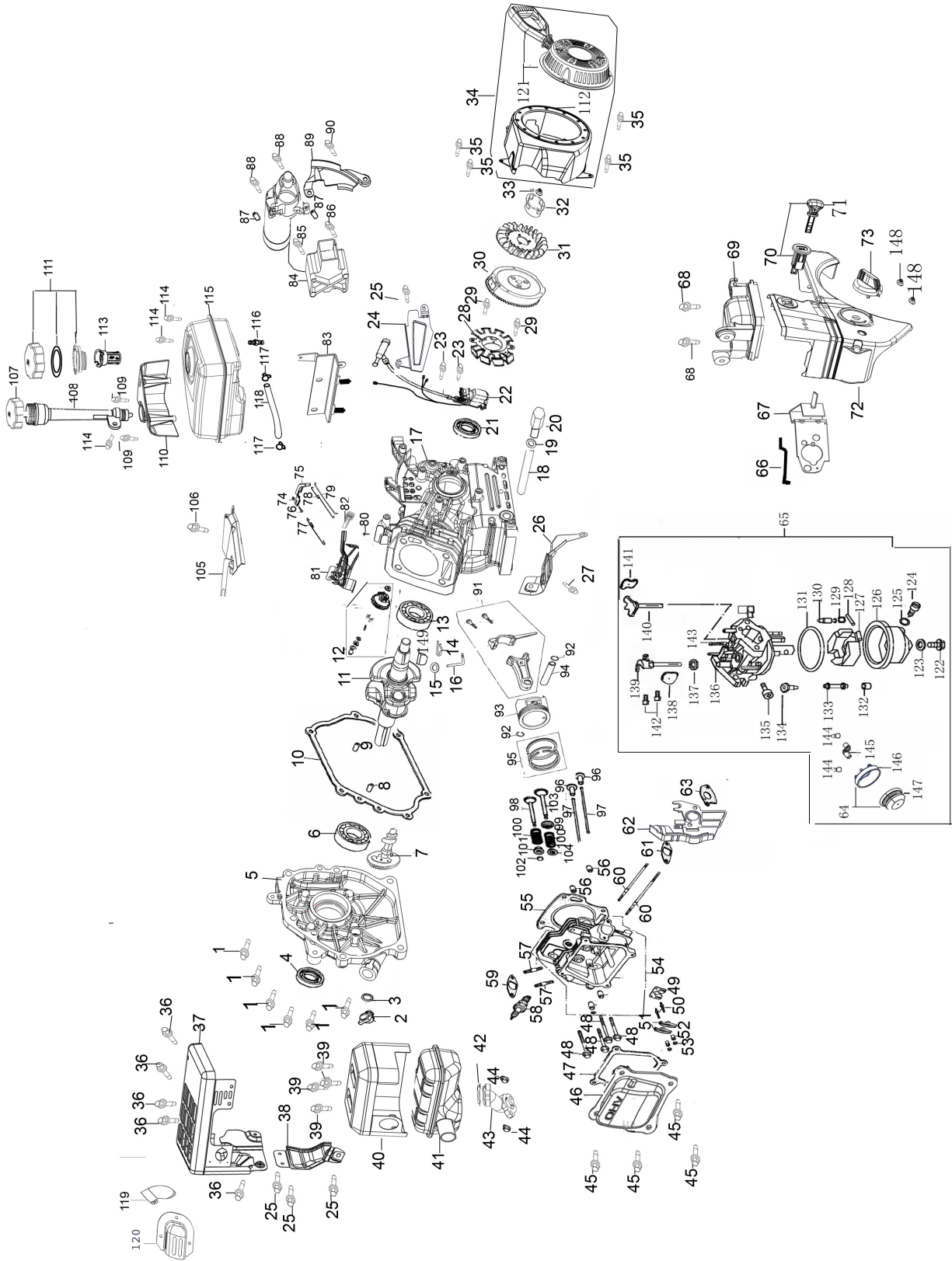
Troy-Bilt 2P5 Snow Thrower Drive System & Auger Assembly



Troy-Bilt 2P5 Snow Thrower Drive System & Auger Assembly

Ref.	Part Number	Description	Ref.	Part Number	Description
1.	710-04373A	Hex Screw, #12-16 x .75	24.	748-0234	Shoulder Spacer
2.	790-00335	Electric Starter Support Bracket	25.	790-00238A	Idler Bracket w/ Brake
3.	710-1005	Hex Screw, ¼-14 x .500	26.	712-04064	Flange Lock Nut, ¼-20
4.	710-0879	Hex Screw, ⅜-24 x 1.25	27.	790-00249	Bearing Cup
5.	736-0247	Flat Washer, .406 x 1.25 x .157	28.	741-04188A	Ball Bearing, 1.25 x 37 x 12.6301
6.	756-04353A	Pulley Half, 4L-V x 2.30 OD	29.	710-0642	Hex Screw, ¼-20 x .750
7.	754-04204	V-Belt	30.	736-0329	Lock Washer, ¼
8.	750-04303	Spacer, .875 ID x 1.185 OD	31.	738-0924A	Shoulder Screw, .340 x .335 x ¼-28
9.	750-05084	Spacer, .88 ID x 1.18 OD x .74 Lg.	32.	756-0625	Cable Roller
10.	756-04232	V-Type Pulley, ½ x 35.7	33.	736-0176	Flat Washer, .265 x .938 x .120
11.	710-0409	Hex Screw, ⅝-24 x 1.75	34.	712-0896	Hex Lock Nut, ¼-28
12.	736-0119	Lock Washer, ⅝	35.	732-0357A	Extension Spring, .33 OD x 1.12
13.	726-0154	Cable Tie, 7.5	36.	684-04253	Auger Assembly, 21"
14.	790-00334	Engine Support Bracket	37.	710-0896	Hex Screw, ¼-14 x .625
15.	710-0654A	Hex Washer Screw, ⅜-16 x 1.000	38.	735-04033	Rubber Pad
16.	750-04297B	Spacer, .875 x .320 x 1.027	39.	735-04032	Spiral Crescent
17.	710-0896	Hex Washer Screw, ¼-14 x .625	40.	750-04758	RH Spacer
18.	710-0653	Hex Washer Screw, ¼-20 x .375	41.	750-04757	LH Spacer
19.	790-00045B	Belt Cover	42.	726-0299	Push Cap, ½
20.	710-0106	Hex Screw, ¼-20 x 1.25	43.	684-04314	Auger Housing
21.	750-04571	Shoulder Spacer, .260 x .785 x .538	44.	734-04033	Wheel, 8 x 2
22.	684-04168	Pulley Assembly, 1.917 OD	45.	750-0289	Spacer, .510 ID x .875 OD x .275
23.	712-04063	Flange Lock Nut, ⅝-18			

208 cc ZS 370-SUA Engine



208 cc ZS 370-SUA Engine

Part No.	Description	Ref. No.
751-10724	Short Block Assembly	—
	Bolt	1
	Oil Filler Plug	2
	O-ring	3
	Oil seal, 25 × 41.25 × 6	4
	Crankcase cover	5
	Radial Ball Bearing	6
	Camshaft Assembly	7
	Dowel Pin, 9 × 14	8
	Dowel Pin, 7 × 14	9
	Crankcase Cover Gasket	10
	Crankshaft Complete	11
	Governor Kit	12
	Radial Ball Bearing	13
	Pin Lock	14
	O-ring, 5.2 × 1.9	15
	Governor Arm	16
	Crankcase	17
	Oil-Draining Pipe	18
	Washer, 10 × 16 × 1.5	19
	Drain Bolt, 10 × 1.25	20
	Oil Seal, 25 × 41.25 × 6	21
	Cylinder Head Gasket	55
	Dowel Pin, 10 × 16	56
	Gasket Muffler	59
	Insulator Gasket Carburetor	61
	Insulator Carburetor	62
	Connecting Rod Assembly	91
	Piston Pin Clip	92
	Piston	93
	Pin Piston	94

Part No.	Description	Ref. No.
751-10722	Cylinder Head Assembly	—
	Valve Cover Gasket	47
	Plate Push Rod Guide	49
	Pivot Bolt	50
	Rocker Arm	51
	Valve Adjusting Nut	52
	Pivot Locking Nut	53
	Cylinder Head Complete	54
	Cylinder Head Gasket	55
	Gasket Muffler	59
	Exhaust Valve	98
	Valve Seal	99
	Spring Valve	100
	Exhaust Valve Spring Retainer	101
	Exhaust Valve Adjuster	102
	Intake Valve	103
	Internal Valve Spring Retainer	104
751-10723	Gasket Kit - Complete	—
	Crankcase Cover Gasket	10
	O-ring, 5.2 × 1.9	15
	Oil-Draining Pipe	18
	Washer, 10 × 16 × 1.5	19
	Drain Bolt, 10 × 1.25	20
	Oil Seal, 25 × 41.25 × 6	21
	Gasket	42
	Valve Cover Gasket	47
	Cylinder Head Gasket	55
	Gasket Muffler	59
	Carburetor Insulator Gasket	61
	Carburetor Insulator	62
	Carburetor Gasket	63
	Push Rod	97
	Exhaust Valve	98
	Intake Valve	103

208 cc ZS 370-SUA Engine

Part No.	Description	Ref. No.	Part No.	Description	Ref. No.
751-10952	Gasket Kit - External	—	751-10911	Starter Cup	32
	Valve Cover Gasket	47	751-10642A	Muffler Shroud	37
	Gasket Muffler	59	751-10643	Muffler Shield	40
	Carburetor Insulator Gasket	61	751-10644	Muffler Complete Exhaust Pipe	41, 43
	Carburetor Insulator	62	751-10666	Gasket	42
	Gasket Carburetor	63	751-10657	Muffler Stud Assembly, 8 × 34	57
751-10638	Carburetor Assembly	65	751-10292	Spark Plug	58
	Fuel Drain Plug	122	751-10640	Choke Push Rod	66
	Fuel Cup Fixed Bolt Packing	123	751-10635	Air Filter Heating Pipe Cover	69
	Fuel Drain Plug	124	751-10637	Key Switch	70
	Fuel Drain Plug Gasket	125	751-10630	Key	71
	Fuel Cup	126	751-10634	Shroud	72
	Float	127	751-10636	Choke Knob	73
	Floating Pin	128	751-10654	Spring Governor	77
	Needle Valve Spring	129	751-10664	Spring Throttle Return	78
	Needle Valve	130	751-10665	Rod Governor	79
	O-ring Packing	131	751-10758	Throttle Control Assembly	81
	Main Jet	132	751-10757	Throttle Control Knob	82
	Main Nozzle	133	751-10645A	Electric Starter, 110v	84
	Idle Jet Assembly	134	751-10648	Push Rod Kit	97
	Idle Speed Adjusting Screw	135	751-10647	Valve Kit	98, 103
	Carburetor Body	136	751-10655	Dipstick	107
	Fiber Seal	137	751-10656	Dipstick Base	108
	Choke Plate	138	751-10662	Dipstick Decoration Cover	110
	Throttle Shaft	139	751-10649	Fuel Tank Cap	111
	Choke Plate	140	751-10663A	Blower Housing	112
	Choke Shaft	141	751-10652	Fuel Filter	113
	Cross Screw	142	751-10653A	Fuel Tank	115
	Position Spring	143	751-10651	Nipple Fuel Tank	116
	Clip	144	751-10650	Fuel Line Kit	117, 118
	Fuel Hose	145	751-10658	Recoil Starter Assembly Starter Handle	121 —
	Primer Base	146	751-10639	Primer	147
	Primer Bulb	147	751-10307	Woodruff Key	149
751-10641	Oil Drain Assembly	18, 19, 20	952Z370-SUA	Complete 370-SUA Engine	—
751-10646	Ignition Module	22			
751-10719	Stator	28			
751-10805	Flywheel	30			
751-10909	Cooling Fan	31			