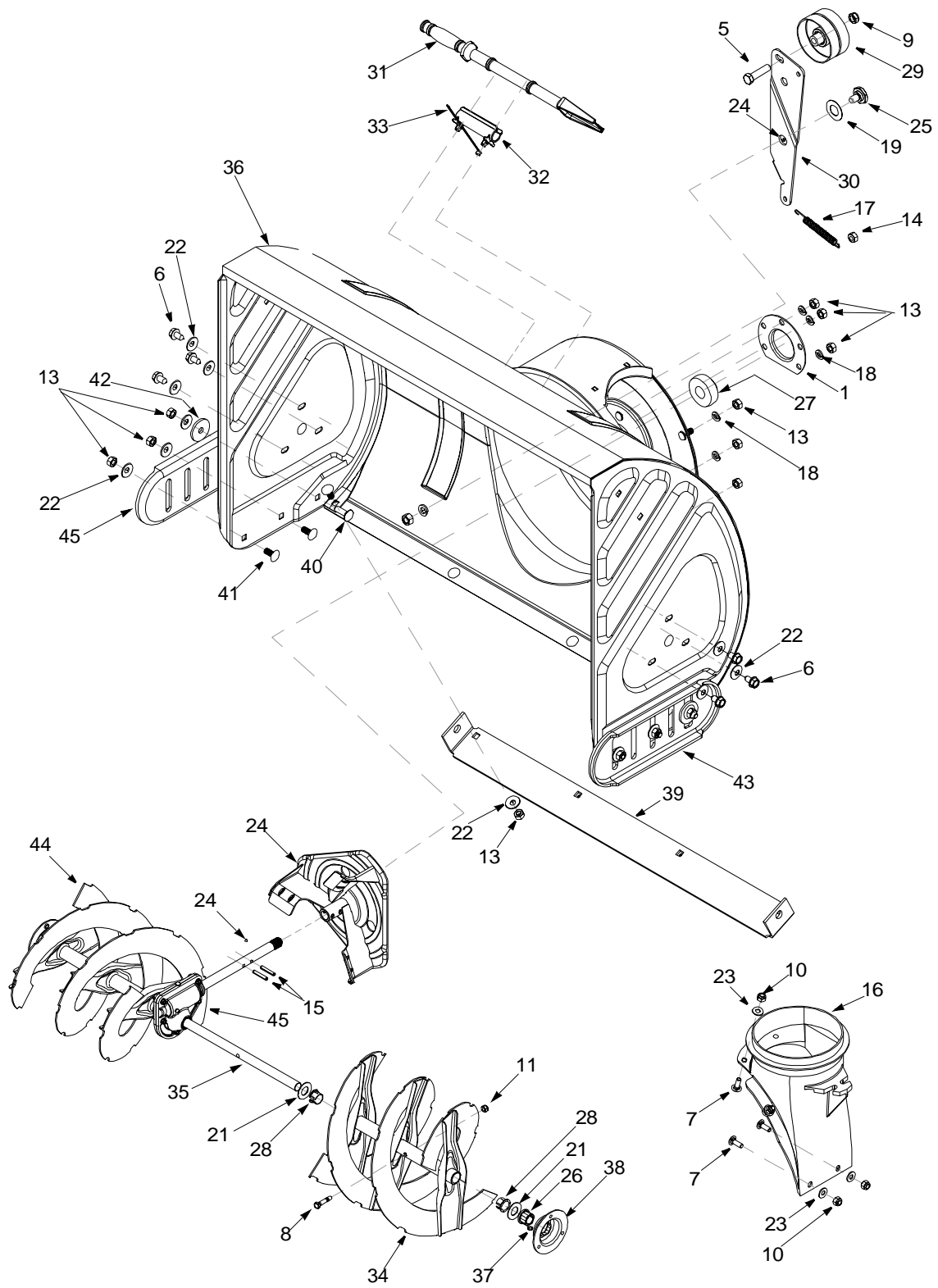


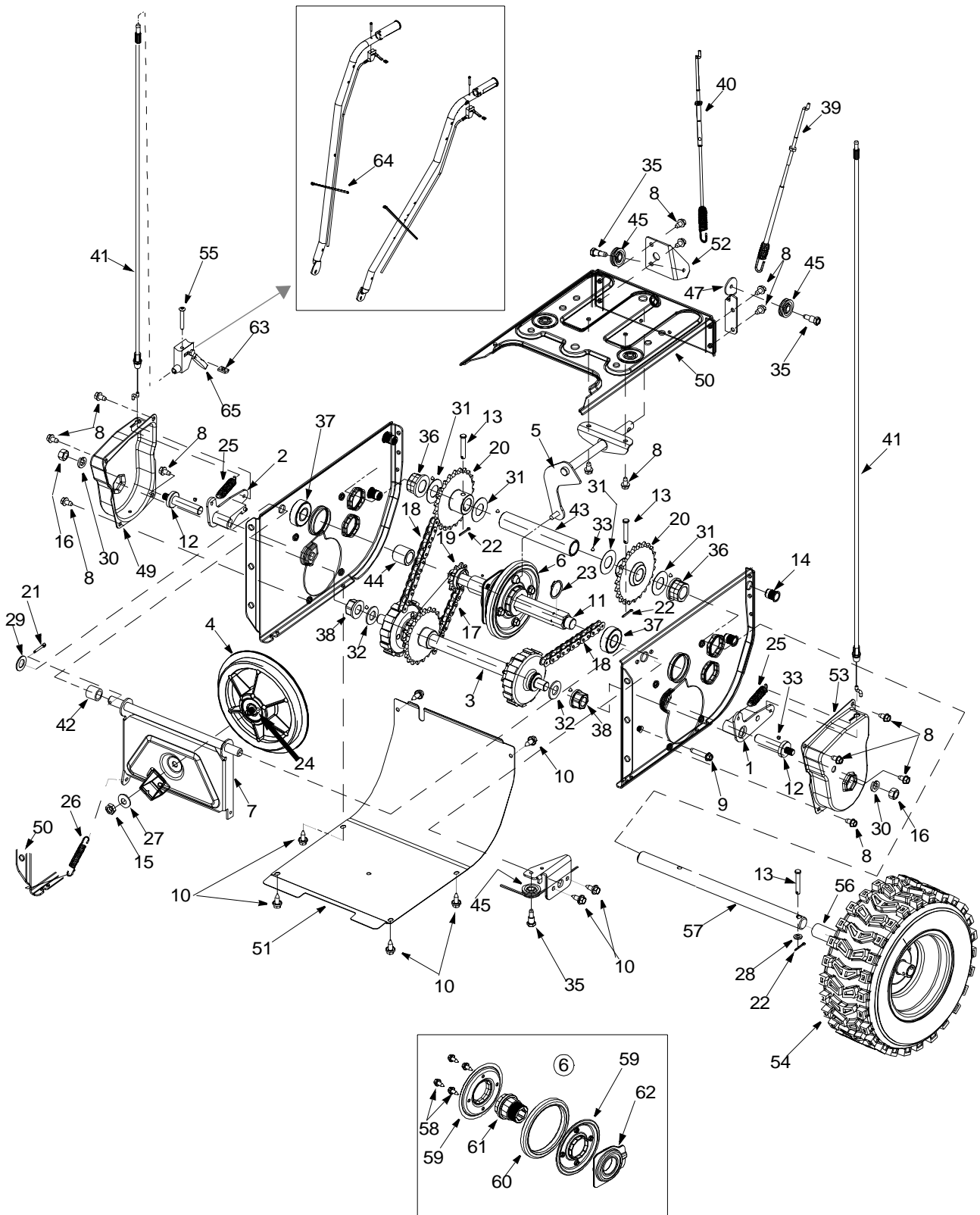
# Model 10030



# Model 10030

Ref. No.	Part No.	Part Description	Ref. No.	Part No.	Part Description
1.	05931A	Bearing Housing	24.	737-0318	Grease
2.	684-0065	Impeller Assembly	25.	738-0281	Shoulder Screw
3.	705-5226	Chute Reinforcement	26.	741-0245	Hex Flange Bearing
4.	710-0451	Carriage Bolt	27.	741-0309	Ball Bearing
5.	710-0459A	Hex Bolt 3/8-24 x 1.5"	28.	741-0493A	Flange Bearing
6.	710-0604A	TT Screw 5/16-18 x 0.625"	29.	756-0178	Flat Idler
7.	710-0703	Carriage Screw 1/4-20 x 0.75"	30.	784-5632B	Auger Idler Bracket
8.	710-0890A	Shear Bolt	31.	731-2643	Chute Clean-Out Tool
9.	712-0116	Lock Nut 3/8-24	32.	731-2635	Tool Mount
10.	712-0324	Lock Nut 1/4-20	33.	725-0157	Cable Tie
11.	712-0429	Lock Nut	34.	605-5249B	Spiral Assembly LH 30"
12.	712-0798	Hex Nut 3/8-16	35.	618-0417A	Auger Shaft Assembly 30"
13.	712-3010	Hex Nut 5/16-18	36.	684-04004	Auger Housing Assembly
14.	712-3068	Hex Lock Nut	37.	737-3000	Lube Fitting
15.	715-0114	Spring Pin	38.	784-0399	Bearing Housing
16.	731-1379C	Chute Adapter	39.	784-5575	Shave Plate
17.	732-0611	Extension Spring	40.	710-0276	Carriage Screw 5/16-18 x 1.0"
18.	736-0119	Lock Washer	41.	710-0451	Carriage Bolt 5/16-18 x 0.75"
19.	736-0167	Flat Washer	42.	736-0320	Flat Washer .38 x 1.38 x .125
20.	736-0169	Lock Washer	43.	784-5038B	Skid Shoe
21.	736-0188	Flat Washer	44.	605-5248B	Spiral Assembly RH 30"
22.	736-0242	Bell Washer	45.	618-0436	Gear Assembly: Auger
23.	736-0463	Flat Washer			

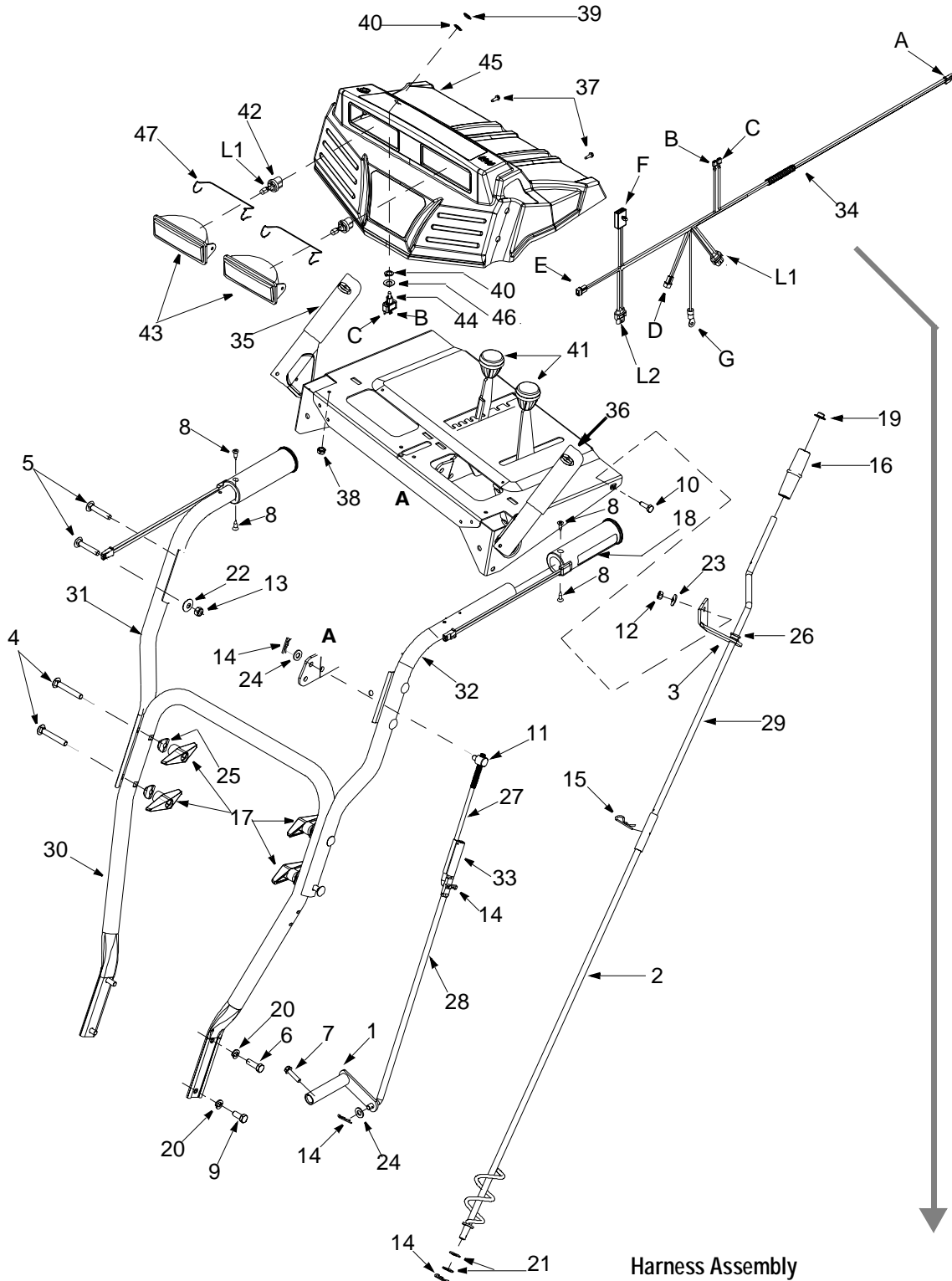
# Model 10030



# Model 10030

Ref. No.	Part No.	Part Description	Ref. No.	Part No.	Part Description
1.	618-0043	Dogg Assembly RH	34.	737-04027	Lubricant
2.	618-0044	Dogg Assembly LH	35.	738-0924	C Screw 1/4-28 x .375"
3.	618-0575	Drive Shaft	36.	741-0598	Hex Flange Bearing
4.	656-0012A	Friction Wheel Disc Assembly	37.	741-0600	Ball Bearing
5.	684-0014B	Shift Rod Assembly	38.	741-1111	Hex Flange Bearing
6.	684-0042C	Friction Wheel Assembly (includes items 58 to 62)	39.	746-0897	Auger Clutch Cable
7.	684-0131A	Support Bracket	40.	746-0898B	Drive Clutch Cable
8.	710-0599	TT screw 1/4-20 x 0.5"	41.	746-0956	Steering Cable
9.	710-0809	TT Screw 1/4-20 x 1.25"	42.	748-0190	Spacer
10.	710-1652	TT Screw 1/4-20 x .625"	43.	750-1161A	Support Tube: Axle
11.	711-1267	Drive Shaft	44.	750-1162	Spacer
12.	711-1268	Actuator Shaft	45.	756-0625	Cable Roller
13.	711-1364	Clevis Pin	46.	784-5590	Shft Frame Bracket
14.	712-0703A	Nut Insert	47.	784-5687A	Bracket: Auger Clutch Cable Guide
15.	712-0711	Jam Nut	48.	784-5689A	Bracket: Auger Cable Front Support
16.	712-3017	Hex Nut	49.	784-5730A	Shaft Retainer
17.	713-0233	Chain	50.	784-5731B	Frame
18.	713-0374	Chain	51.	784-5732	Frame Cover
19.	713-0413	Sprocket	52.	784-5733	Roller Bracket
20.	713-0472	Sprocket	53.	784-5740	Shaft Retainer
21.	714-0474	Hairpin Clip	54.	634-0227A	Wheel Assembly LH: Complete
22.	714-0474	Hairpin Clip		634-0228A	Wheel Assembly RH: Complete
23.	716-0102	Snap Ring	55.	710-1233	Oval C-Sunk Machine Screw
24.	721-0263	Loctite™	56.	731-04043	Spacer
25.	732-0209	Extension Spring	57.	738-0994A	Axle: Wheel
26.	732-0264	Extension Spring	58.	710-1652	TT Screw 1/4-20 x .625"
27.	736-0105	Bell Washer	59.	784-5617A	Friction Plate
28.	736-0142	Flat Washer	60.	735-0243B	Friction Wheel Rubber
29.	736-0160	Flat Washer	61.	718-0301A	Friction Wheel Hub
30.	736-0169	Lock Washer	62.	618-0063A	Friction Wheel Bearing
31.	736-0351	Flat Washer	63.	712-0127	Weld Nut
32.	736-0626	Flat Washer	64.	725-0157	Cable Tie
33.	737-0318	Loctite™	65.	746-0950	Turn Trigger

# Model 10030



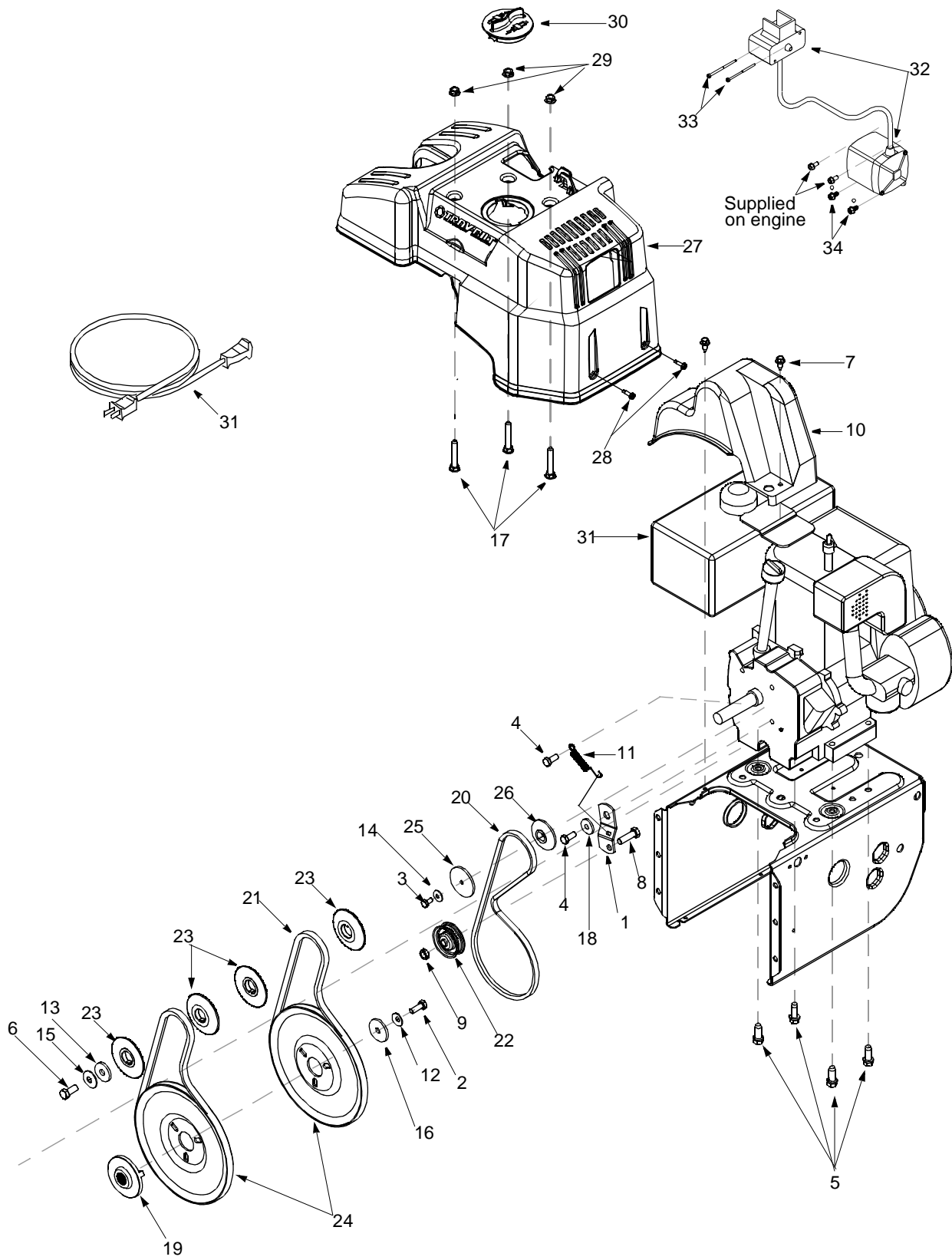
## Harness Assembly

Connector	Plugs to:
A	Alternator lead from engine
B, C, L1, L2	Switch and Light 1 and 2
D, E	Heated Grips of handles
F	indicates fuse; G indicates grounding wire.

# Model 10030

<b>Ref. No.</b>	<b>Part No.</b>	<b>Part Description</b>
1.	684-0008A	Shift Arm Assembly
2.	684-0053B	Chute Crank assembly
3.	705-5266	Chut Crank Bracket
4.	710-0449	Carriage Screw 5/16-18 x 2.25"
5.	710-0458	Carriage Bolt 5/16-18 x 1.75"
6.	710-0643	Hex Screw 5/16-18 x 1.0"
7.	710-0788	TT Screw 1/4-20 x 1.0"
8.	710-0837	AB Screw
9.	710-1880	Hex Screw 5/16-18 x 0.75"
10.	710-3015	Hex Screw 1/4-20 x 0.75"
11.	711-0677	Ferrule
12.	712-0287	Hex Nut 1/4-20
13.	712-3068	Lock Nut 5/16-18
14.	714-0104	Hairpin Clip
15.	714-0145	Click Pin
16.	720-0201A	Chute Crank Knob
17.	720-0284	Wing Nut
18.	725-1757	Heated Grip
19.	726-0100	Push Cap
20.	736-0119	Lock Washer
21.	736-0185	Flat Washer
22.	736-0242	Bell Washer
23.	736-0270	Bell Washer
24.	736-0275	Flat Washer
25.	736-0451	Saddle Washer
26.	741-0475	Plastic Bushing
27.	747-0620A	Shift Rod: Upper
28.	747-0621	Shift Rod: Lower
29.	747-0737	Chute Crank: Upper
30.	749-0951	Lower Handle
31.	749-0952A	Handle: L Style Fold RH
32.	749-0953A	Handle: L Style Fold LH
33.	750-0963	Connector
34.	629-04007	Harness Assy. (See also table on page 24)
35.	684-0036A	Handle Engagement RH: Black
36.	684-0037B	Handle Engagement LH: Black
37.	710-1003	B Screw #10-16 x 0.625"
38.	712-0271	Sems Nut
39.	712-0693	Hex Nut
40.	716-0398	Toggle Switch
41.	720-0232	Shift Knob
42.	725-1658	Halogen Lamp
43.	725-1672	Lamp Housing
44.	725-1756	Toggle Switch
45.	731-04068	Handle Panel
46.	736-0226	Flat Washer .474 x .879 x .064
47.	747-1136	Headlight Retainer

# Model 10030

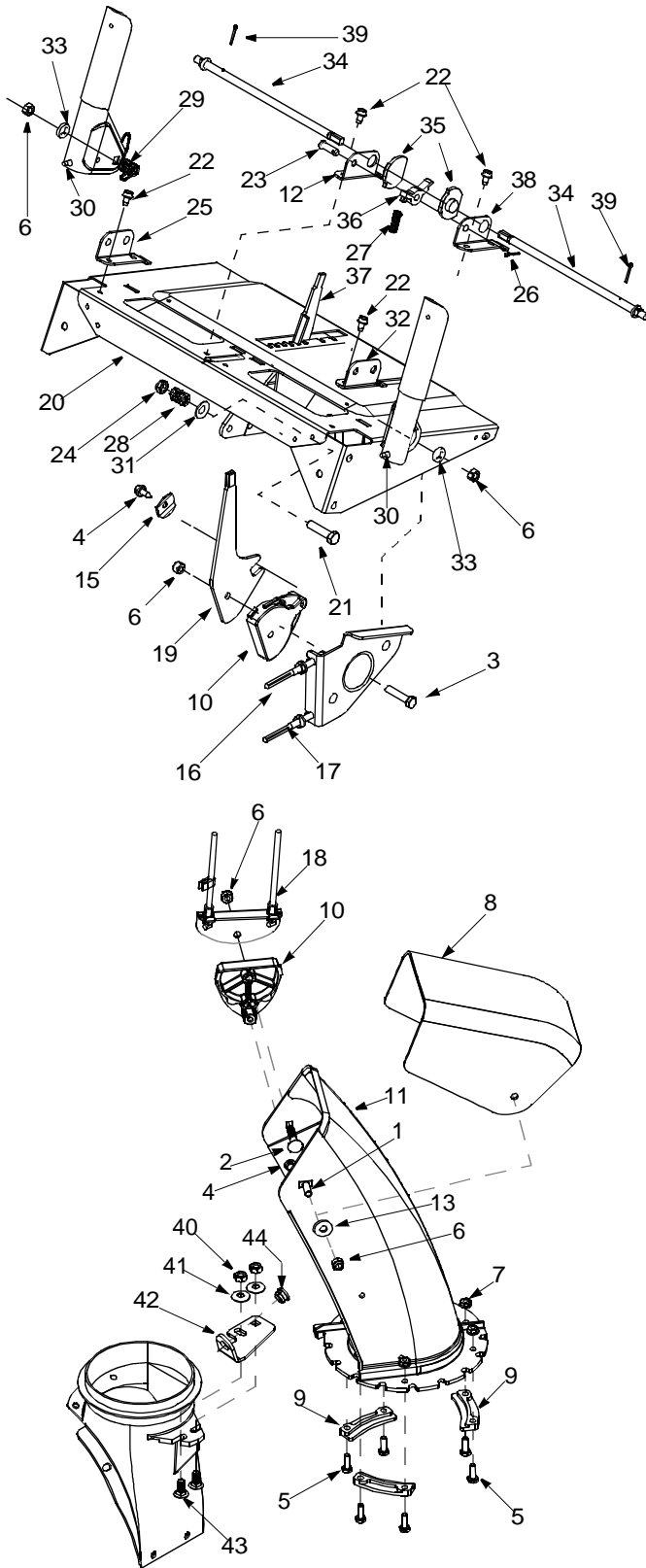


# Model 10030

Ref. No.	Part No.	Description
1.	05896A	Idler Bracket: Drive Clutch
2.	710-1245B	Hex Bolt 5/16-24 x .875"
3.	710-0230	Hex Screw 1/4-28 x .50"
4.	710-0627	Hex Screw 5/16-24 x .750"
5.	710-0654A	TT Screw 3/8-16 x 1.0"
6.	710-0696	Hex Screw 3/8-24 x .875"
7.	710-1652	TT Screw 1/4-20 x .625"
8.	710-3005	Hex Screw 3/8-16 x 1.25"
9.	712-0181	Jam Nut
10.	731-1324	Belt Cover
11.	732-0710	Extension Spring
12.	736-0242	Bell Washer
13.	736-0247	Flat Washer .406 x 1.25
14.	736-0270	Bell Washer .265 x .75 x .062
15.	736-0331	Bell Washer .390 x 1.13 x .062
16.	736-0505	Flat Washer .34 x 1.5 x .150
17.		
18.	748-0234	Shoulder Spacer
19.	748-0360	Pulley
20.	754-0346	V-Belt
21.	754-0430B	Belt
22.	756-0313	Flat Idler Pulley
23.	756-0569	Pulley Half
24.	756-0967	Auger Pulley
25.	756-0986	Pulley Half
26.	756-0987	Pulley Half
27.	731-04049	Shroud
28.	710-04082	Hex Screw #10-16 x .75"
29.	712-3004A	Flange Lock Nut 5/16-18
30.	684-04011	Spark Plug Access
31.	629-0071	Extension Cord
32.	7511A173106	Electric Starter
33.	7514289474	Hex Screw #6-32 x 2.5
34.	75142896	Hex Screw 1/4-20 x .500



# Model 10030



Ref. No.	Part No.	Description
1.	710-04071	Carriage Bolt 5/16-18 x 1.0"
2.	710-0262	Carriage Bolt 5/16-18 x 1.5"
3.	710-0805	Hex Bolt 5/16-18 x 1.5"
4.	710-0896	Hex AB Screw 1/4-14 x .625"
5.	710-3015	Hex Screw 1/4-20 x .75"
6.	712-0429	Hex Lock Nut
7.	712-3027	Hex Flange Lock Nut
8.	731-1320	Upper Chute
9.	731-0851A	Chute Flange Keeper
10.	731-1313C	Cable Guide: Chute Tilt
11.	731-1300B	Lower Chute
12.	784-5680	Handle Suppt. Bracket 5/8 RH
13.	736-0159	5/16 Washer
14.	736-0231	Flat Washer
15.	736-0506	Special Washer
16.	746-0902	Chute Control Cable
17.	746-0903	Chute Cable w/Clip
18.	784-5594	Cable Bracket
19.	784-5604	Chute Tilt Handle
20.	684-0102	Handle Panel Assembly w/ Tilt
21.	710-0459A	Hex Bolt 3/8-24 x 1.5"
22.	710-0599	TT Screw 1/4-20 x 0.5"
23.	711-0653	Clevis Pin
24.	712-0116	Jam Nut
25.	784-5682	Handle Suppt. Bracket 3/8 RH
26.	714-0104	Cotter Pin
27.	732-0145	Spring
28.	732-0193	Spring
29.	732-0746	Torsion Spring
30.	735-0199A	Rubber Bumper
31.	736-0105	Bell Washer
32.	784-5681	Handle Suppt. Bracket 3/8 LH
33.	736-0509	Special Washer
34.	747-0877	Cam Rod
35.	748-0362	Cam: Handle Lock
36.	748-0363	Pawl: Handle Lock
37.	784-5619A	Shift Handle
38.	784-5679	Handle Suppt. Bracket 5/8 LH
39.	714-0507	Hairpin Clip
40.	712-3010	Hex Nut 5/16-18
41.	736-0242	Bell Washer
42.	784-5647	Chute Crank Bracket
43.	710-0451	Carriage Bolt 5/16-18 x .750"
44.	741-0475	Plastic Bushing