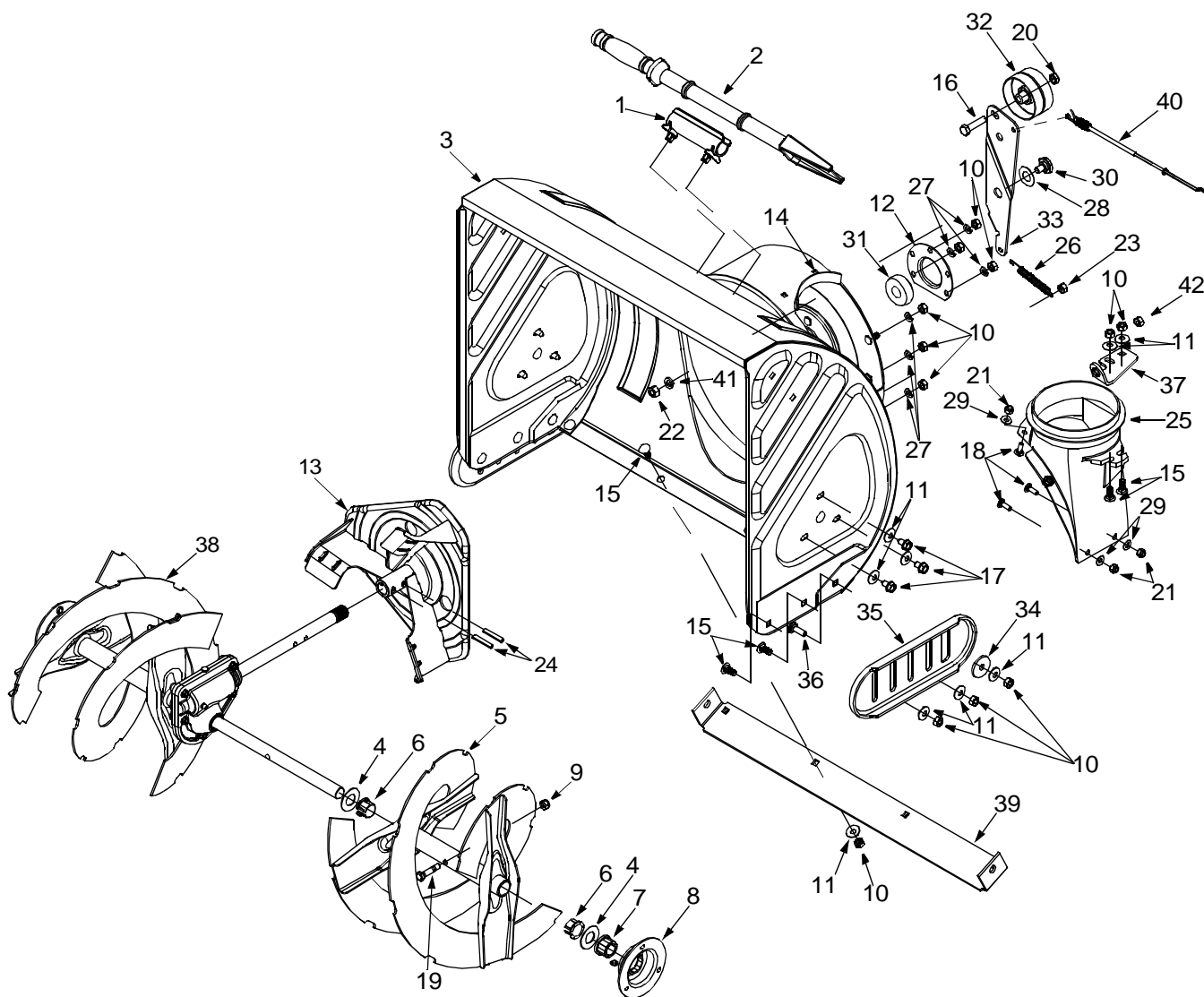


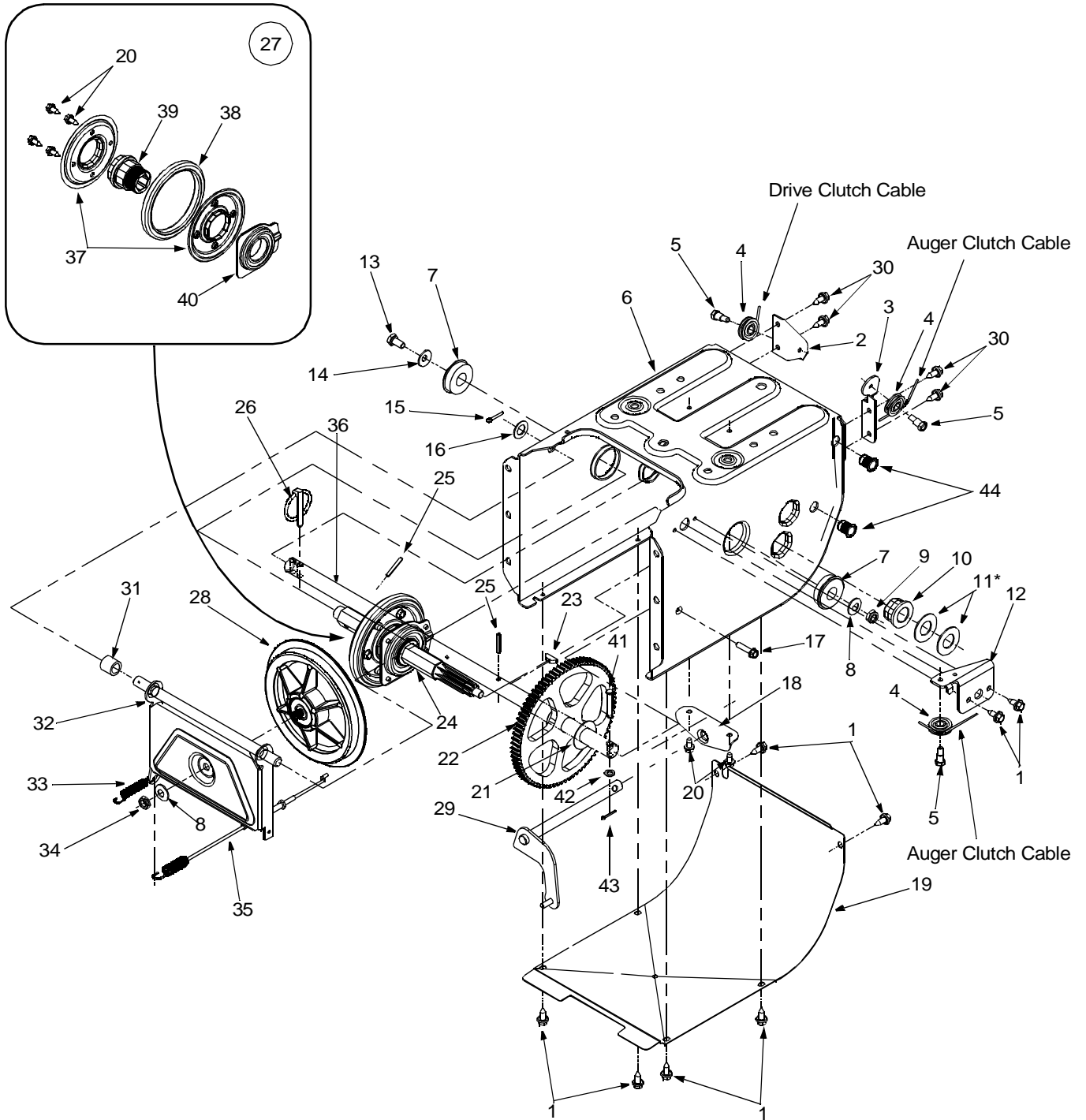
Models 7524 / 8526



Models 7524 / 8526

| Ref. No. | Part No. | Part Description | Ref. No. | Part No. | Part Description |
|----------|-----------|------------------------------|----------|-----------|--------------------------------|
| 1. | 731-2635 | Mount, Chute Clean-out Tool | 22. | 712-0798 | Hex Nut 3/8-16 |
| 2. | 731-2643 | Chute Clean-out Tool | 23. | 712-3068 | Hex Nut 5/16-18 |
| 3. | 684-04002 | 26" Housing Assembly | 24. | 715-0114 | Pin |
| - | 684-04001 | 24" Housing Assembly | 25. | 731-1379C | Chute Adapter |
| 4. | 736-0188 | FI-Wash. .76 I.D x 1.49 O.D. | 26. | 732-0611 | Extension Spring |
| 5. | 605-5193A | 26" Spiral Assembly LH | 27. | 736-0119 | Lock Washer 5/16 |
| - | 605-5189A | 24" Spiral Assembly LH | 28. | 736-0167 | FI-Wash. .565 x 1.25 x .02 |
| 6. | 741-0493A | Flange Bushing | 29. | 736-0463 | FL-Wash .25 x .63 x .05 |
| 7. | 741-0245 | Hex Flange Bearing | 30. | 738-0281 | Shld. Screw |
| 8. | 784-0399 | Bearing Housing | 31. | 741-0309 | Ball Bearing |
| 9. | 712-0429 | Lock Nut 5/16-18 Thd. | 32. | 756-0178 | Flat Idler |
| 10. | 712-3010 | Hex Nut 5/16-18 Thd. | 33. | 784-5632B | Auger Idler Brkt. |
| 11. | 736-0242 | Bell Washer | 34. | 736-0320 | FI.-Wash. .38 I.D. x 1.38 O.D. |
| 12. | 05931A | Housing | 35. | 784-5038B | Slide Shoe |
| 13. | 684-0065 | Impeller Assembly | 36. | 710-0276 | Carriage Screw 5/16-18 |
| 14. | 705-5226 | Reinforcement Chute | 37. | 784-5647 | Chute Crank Brkt. |
| 15. | 710-0451 | Carriage Bolt 5/16-18 x .75 | 38. | 605-5192A | 26" Spiral Assembly RH |
| 16. | 710-0459A | Hex Cap Screw 3/8-24 x 1.50 | - | 605-5188A | 24" Spiral Assembly RH |
| 17. | 710-0604A | Hex Wash. TT Screw 5/16-18 | 39. | 784-5579A | 26" Shave Plate |
| 18. | 710-0703 | Carriage Screw 1/4-20 x .75 | - | 784-5581A | 24" Shave Plate |
| 19. | 710-0890A | Shear Bolt 5/16-18 x 1.5 | 40. | 746-0897 | Auger Clutch Cable |
| 20. | 712-0116 | Lock Jam 3/8-24 | 41. | 736-0169 | L-Wash. 3/8 |
| 21. | 712-0324 | Hex Lock Nut 1/4-20 | 42. | 741-0475 | Plastic Bushing |

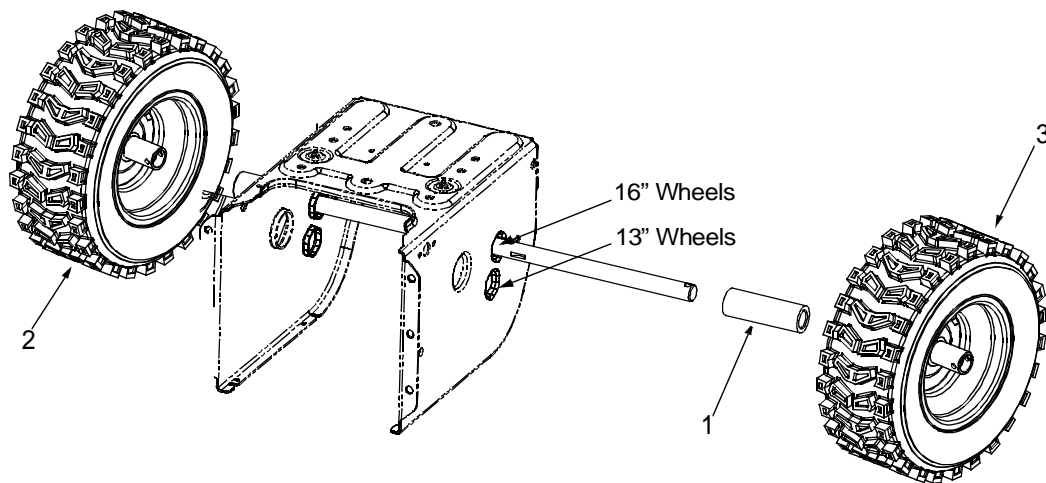
Models 7524 / 8526



Models 7524 / 8526

| Ref. No. | Part No. | Part Description | Ref. No. | Part No. | Part Description |
|----------|-----------|-----------------------------------|----------|-----------|---------------------------------|
| 1 | 710-1652 | Self-tapping Screw, 1/4-20 x .625 | 24 | 717-1444 | 7-Tooth Shaft |
| 2 | 784-5688 | Drive Cable Guide Bracket | 25 | 715-0249 | Roll Pin |
| 3 | 784-5687A | Auger Clutch Cable Bracket | 26 | 714-0143 | Klik Pin |
| 4 | 756-0625 | Cable Roller | 27 | 684-0042C | Friction Wheel Assembly |
| 5 | 738-0924 | Hex Screw 1/4-28 | 28 | 656-0012A | Friction Disc Wheel |
| 6 | 784-5630B | Frame Assembly | 29 | 684-0013B | Wheel Shift Rod Assembly |
| 7 | 741-0563 | Ball Bearing | 30 | 710-0599 | Self-tapping Screw, 1/4-20 x .5 |
| 8 | 736-0105 | Bell Washer | 31 | 748-0190 | Spacer |
| 9 | 712-0116 | Lock Jam Nut | 32 | 684-0021 | Friction Wheel Bracket Assembly |
| 10 | 741-0598 | Hex Flange Bearing | 33 | 732-0264 | Extension Spring |
| 11 | 736-0188 | Flat Washer† | 34 | 712-0711 | Jam Nut 3/8-24 |
| 12 | 784-5689A | Front Support Guide Bracket | 35 | 746-0898B | Drive Cable |
| 13 | 710-0538 | Lock Hex Screw | 36 | 738-0869 | Axle 13" Wheels |
| 14 | 736-0242 | Bell Washer .340 ID x .872 OD | | 738-0830 | Axle 16" Wheels |
| 15 | 714-0474 | Cotter Pin | 37 | 790-00010 | Friction Plate |
| 16 | 736-0160 | Flat Washer .536 ID x .930 OD | - | 790-00011 | Friction Plate w/Extrusion |
| 17 | 710-0809 | Self-tapping Screw, 1/4-20 x 1.25 | 38 | 735-0243B | Friction Wheel Rubber |
| 18 | 784-5590 | Frame Shift Bracket | 39 | 718-0301A | Friction Wheel Hub |
| 19 | 784-5638 | Frame Cover | 40 | 618-0063A | Friction Wheel Bearing |
| 20 | 710-1652 | Hex Washer TT Screw 1/4-20 | 41 | 711-1364 | Clevis Pin, 1/4 x 1.3725 |
| 21 | 736-0351 | Flat Washer .760 ID x .50 OD | 42 | 736-0142 | Flat Washer, .281 x .5 x .063 |
| 22 | 717-1445 | Gear | 43 | 714-0507 | Cotter Pin, .75 |
| 23 | 714-0126 | Key | 44 | 712-0703A | Insert Nut, 5/16-18 |

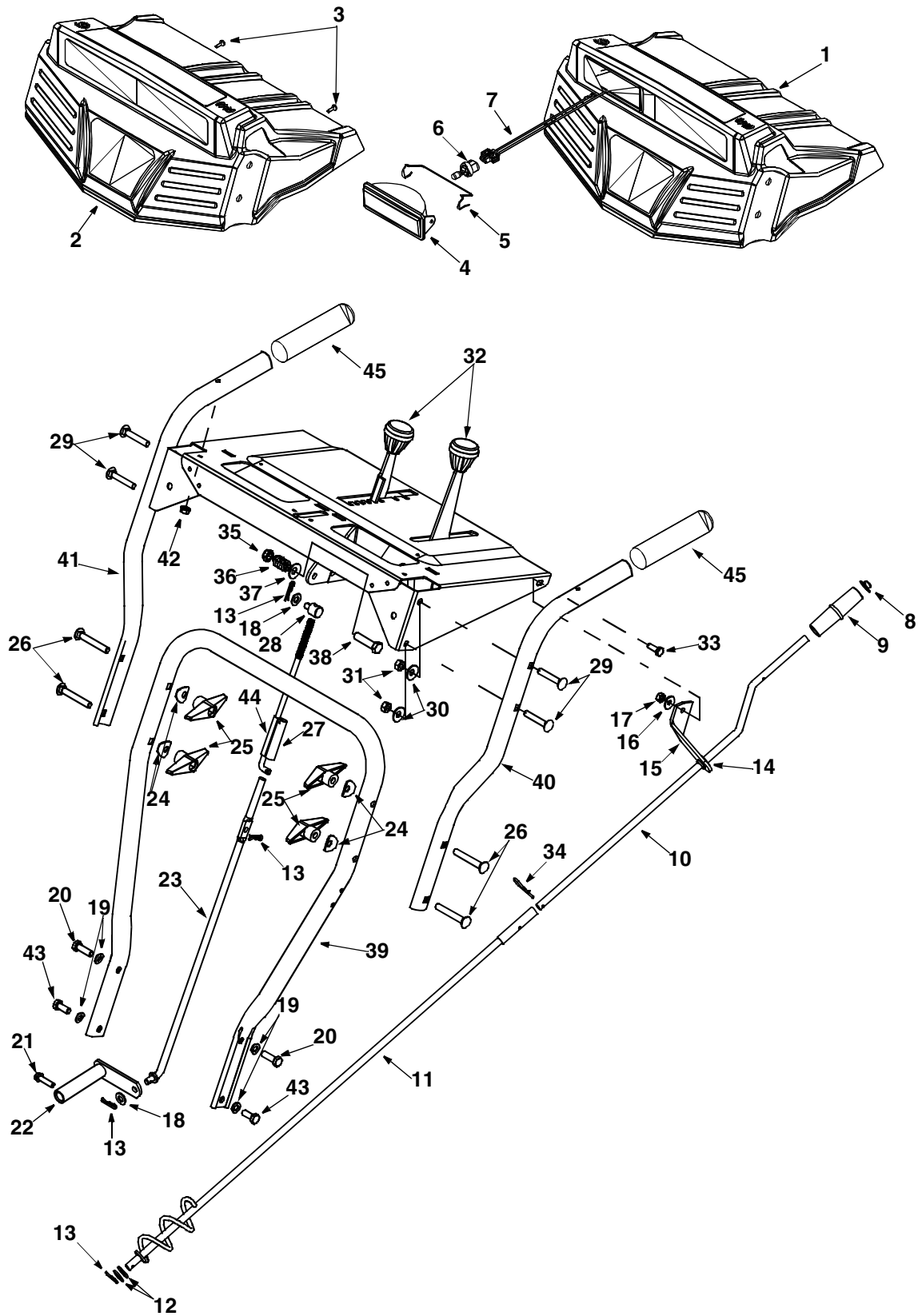
† Use more than one washer on either side, only if necessary to reduce axle-play.



| WHEEL CHART | | | | |
|--------------|------------|-------------------|------------------------|------------------------|
| MODEL NUMBER | WHEEL SIZE | REF. NO. 1 SPACER | REF. NO. 2 WHEEL COMP. | REF. NO. 3 WHEEL COMP. |
| 7524 | 13 x 5 | 731-04044 | 634-04012 | 634-04011 |
| 8526 | 16 x 4.8 | 731-04043 | 634-04014 | 634-04013 |

* A wheel assembly includes one tire, one air valve, one painted rim and two sleeve bearings

Models 7524 / 8526

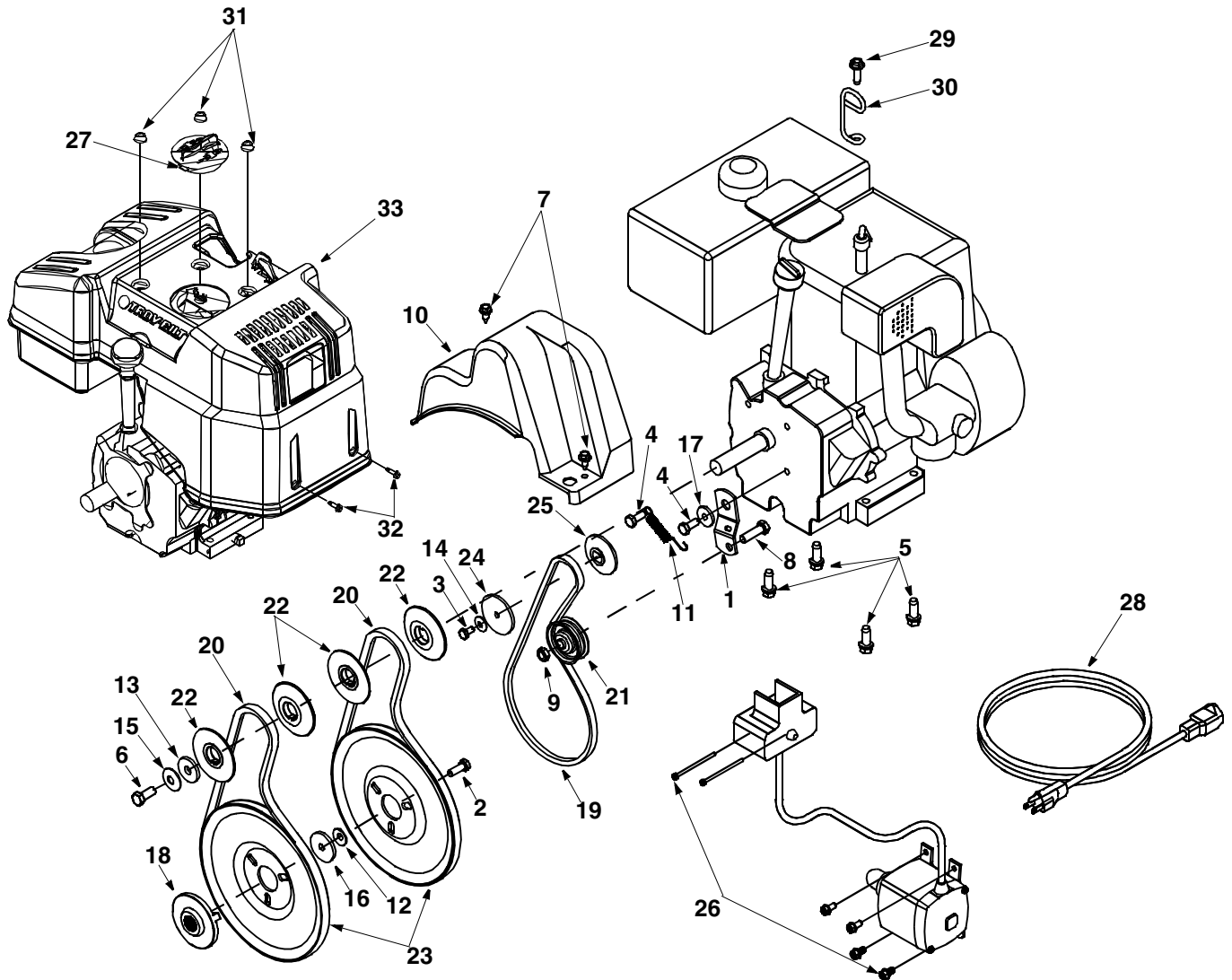


Models 7524 / 8526

| Ref. No. | Part No. | Part Description |
|----------|-----------|------------------------------------|
| 1. | 731-04067 | Handle Panel (8526) |
| 2. | 731-04059 | Handle Panel (7524) |
| 3. | 710-1003 | Special B Screw* |
| 4. | 725-1672 | Lens Assembly* |
| 5. | 747-1136 | Lamp Retainer* |
| 6. | 725-1658 | Halogen Lamp* |
| 7. | 629-0059 | Lamp Wire Harness* |
| 8. | 726-0100 | Push Cap |
| 9. | 720-0201A | Chute Crank Knob |
| 10. | 747-0737 | Upper Chute Crank |
| 11. | 684-0053B | Chute Crank Assembly, Lower |
| 12. | 736-0185 | FI-Wash. .375 I.D. x .738 O.D. |
| 13. | 714-0104 | Hairpin Clip |
| 14. | 741-0475 | Plastic Bushing |
| 15. | 705-5266 | 2 pc. Chute Crank Brkt. |
| 16. | 736-0270 | Bell Washer |
| 17. | 712-0287 | Hex Nut 1/4-20 Thd. |
| 18. | 736-0275 | FI-Wash. .344 I.D. x .688 O.D. |
| 19. | 736-0119 | L-Wash. 5/16 |
| 20. | 710-0643 | Hex Hd. Cap Scr. 5/16-18 Thd. |
| 21. | 710-0788 | TT-Tap Screw 1/4-20 Thd. |
| 22. | 684-0008A | Shift Arm Assembly |
| 23. | 747-0621 | Lower Shift Rod |
| 24. | 736-0451 | Saddle Washer .320 I.D. x .93 O.D. |
| 25. | 720-0284 | Knob |
| 26. | 710-0449 | Carriage Screw 5/16-18, Gr. 5 |
| 27. | 750-0963 | Clutch Rod Connector |
| 28. | 711-0677 | Ferrule |
| 29. | 710-0458 | Carriage Bolt |
| 30. | 736-0242 | Bell Washer |
| 31. | 712-3068 | Hex L-Nut 5/16-18 Thd. |
| 32. | 720-0232 | Shift Knob |
| 33. | 710-3015 | Hex Hd. Cap Screw 1/4-20 |
| 34. | 714-0145 | Click Pin |
| 35. | 712-0116 | Jam L-Nut 3/8-24 Thd. |
| 36. | 732-0193 | Compression Spring |
| 37. | 736-0105 | Spring Wash. .401 I.D. x .870 O.D. |
| 38. | 710-0459A | Hex Hed. Cap Screw 3/8-24 Thd. |
| 39. | 749-0951 | Lower Handle |
| 40. | 749-0953A | Upper Handle, LH |
| 41. | 749-0952A | Upper Handle, RH |
| 42. | 712-0271 | Hex Sems Nut |
| 43. | 710-1880 | Hex Patch Screw 5/16-18 Thd. |
| 44. | 747-0620A | Upper Shift Rod |
| 45. | 720-0274 | Foam Grip |

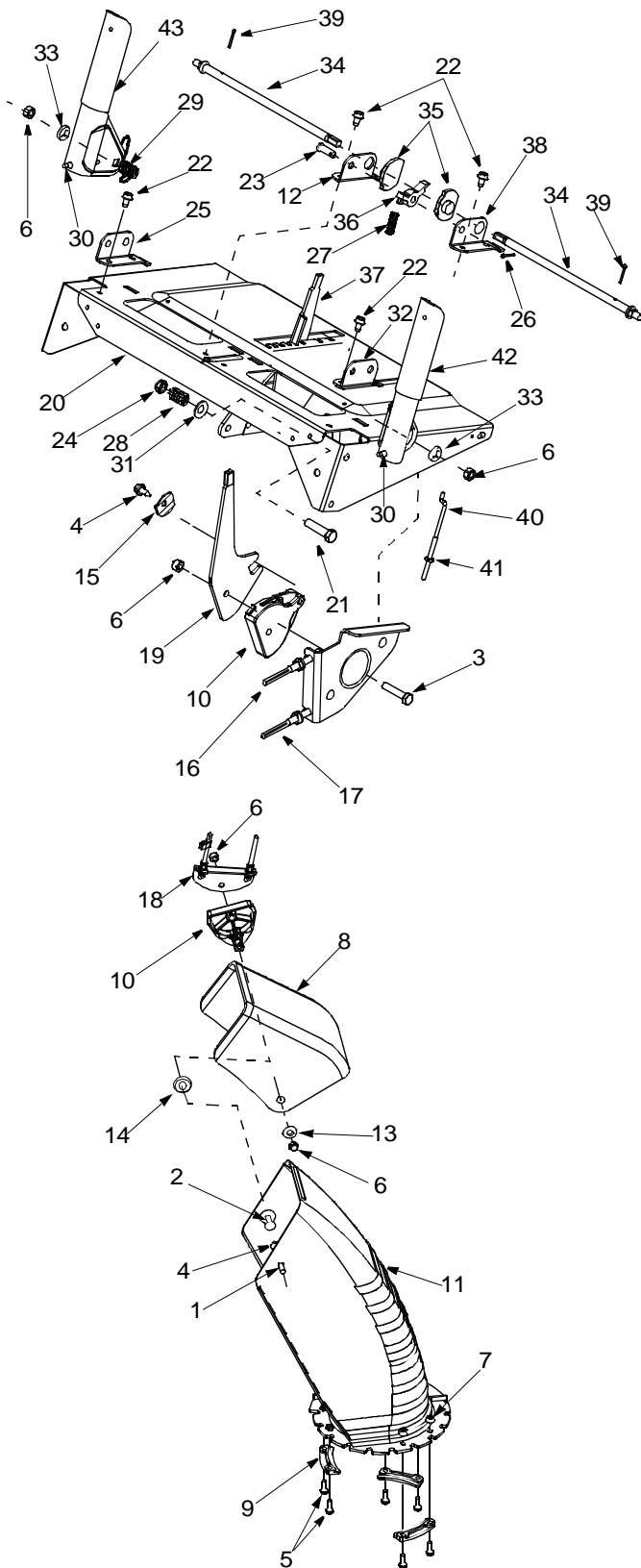
* Model 8526 only

Models 7524 / 8526



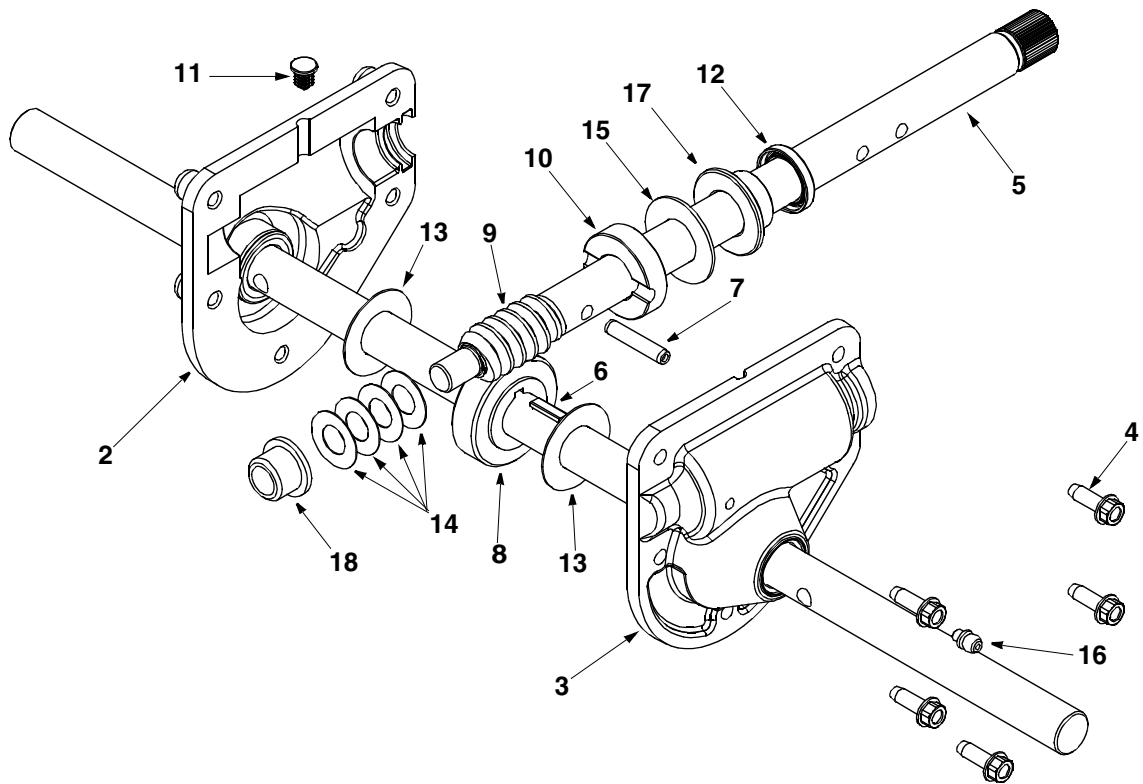
| Ref. No. | Part No. | Description | Ref. No. | Part No. | Description |
|----------|-----------|---------------------------------|----------|-------------|-------------------------------|
| 1. | 05896A | Idler Brkt. | 18. | 748-0360 | Pulley Adapter |
| 2. | 710-1245B | Hex Hd. Cap Screw 5/16-24 Thd. | 19. | 754-0346 | V-Belt 3/8 |
| 3. | 710-0230 | Hex Hd. Cap Screw 1/4-28 Thd. | 20. | 754-0430B | Belt |
| 4. | 710-0627 | Hex Hd. Cap Screw 5/16-24 Thd. | 21. | 756-0313 | Flat Idler Pulley |
| 5. | 710-0654A | TT-Tap Screw 3/8-16 Thd. | 22. | 756-0569 | Half Pulley |
| 6. | 710-0696 | Hex Hd. Screw 3/8-24 | 23. | 756-0967 | Auger Pulley |
| 7. | 710-1652 | TT-Tap Screw 1/4-20 Thd. | 24. | 756-0986 | Half Pulley |
| 8. | 710-3005 | Hex Hd. Cap Screw 3/8-16 Thd. | 25. | 756-0987 | Half Pulley |
| 9. | 712-0181 | Jam Nut | 26. | OEM-390-987 | Electric Start Kit |
| 10. | 731-1324 | Belt Cover | 27. | 684-04011 | Spark Plug Cap |
| 11. | 732-0710 | Extension Spring | 28. | 629-0071 | Extension Cord |
| 12. | 736-0242 | Bell Washer | 29. | - | Part of Engine |
| 13. | 736-0247 | FI-Washer .406 I.D. x 1.25 O.D. | 30. | 732-0705 | Cable Control Wire |
| 14. | 736-0270 | Bell Washer | 31. | 712-3004A | Flange Lock Nut, 5/16-18 Thd. |
| 15. | 736-0331 | Bell Washer | 32. | 710-04082 | Screw, #10-16 x .75 |
| 16. | 736-0505 | FI-Washer .34 I.D. x .50 O.D. | 33. | 684-04014 | Engine Shroud (Incl. Ref. 27) |
| 17. | 748-0234 | Shoulder Spacer | | | |

Models 7524 / 8526



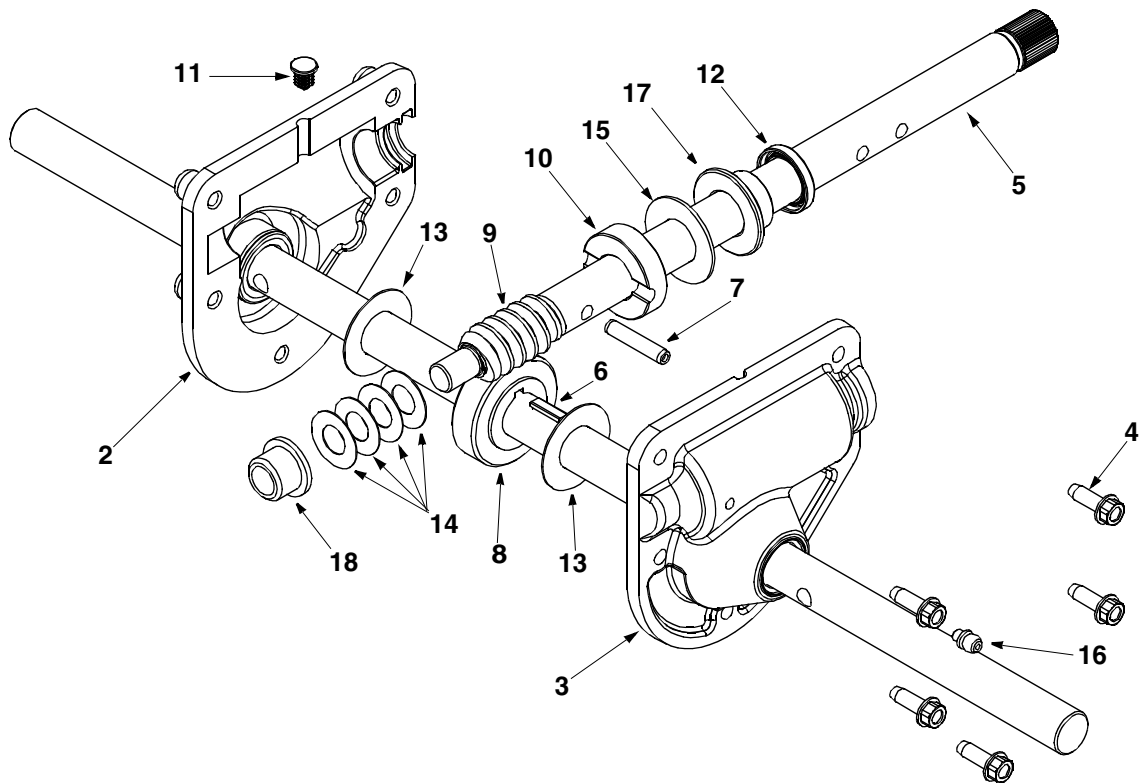
| Ref. No. | Part No. | Description |
|----------|-----------|-------------------------------|
| 1. | 710-04071 | Carriage Screw |
| 2. | 710-0262 | Carriage Bolt 5/16-18 x 1.75" |
| 3. | 710-0805 | Hex Bolt 5/16-18 x 1.5" |
| 4. | 710-0896 | Hex AB Screw 1/4-14 x .625" |
| 5. | 710-3015 | Hex Screw 1/4-20 x .75" |
| 6. | 712-0429 | Hex Lock Nut |
| 7. | 712-3027 | Hex Flange Lock Nut |
| 8. | 731-1320 | Upper Chute |
| 9. | 731-0851A | Chute Flange Keeper |
| 10. | 731-1313C | Cable Guide: Chute Tilt |
| 11. | 731-1300B | Lower Chute |
| 12. | 784-5680 | Handle Suppt. Bracket 5/8 RH |
| 13. | 736-0159 | 5/16 Washer |
| 15. | 736-0506 | Special Washer |
| 16. | 746-0896 | Chute Control Cable |
| 17. | 746-0901 | Chute Cable w/Clip |
| 18. | 784-5594 | Cable Bracket |
| 19. | 784-5604 | Chute Tilt Handle |
| 20. | 684-0102 | Handle Panel Assembly w/ Tilt |
| 21. | 710-0459A | Hex Bolt 3/8-24 x 1.5" |
| 22. | 710-0599 | TT Screw 1/4-20 x 0.5" |
| 23. | 711-0653 | Clevis Pin |
| 24. | 712-0116 | Jam Nut |
| 25. | 784-5682 | Handle Suppt. Bracket 3/8 RH |
| 26. | 714-0104 | Cotter Pin |
| 27. | 732-0145 | Spring |
| 28. | 732-0193 | Spring |
| 29. | 732-0746 | Torsion Spring |
| 30. | 735-0199A | Rubber Bumper |
| 31. | 736-0105 | Bell Washer |
| 32. | 784-5681 | Handle Suppt. Bracket 3/8 LH |
| 33. | 736-0509 | Special Washer |
| 34. | 747-0877 | Cam Rod |
| 35. | 748-0362 | Cam: Handle Lock |
| 36. | 748-0363 | Pawl: Handle Lock |
| 37. | 784-5619A | Shift Handle |
| 38. | 784-5679 | Handle Suppt. Bracket 5/8 LH |
| 39. | 714-0507 | Cotter Pin |
| 40. | 746-0778 | Z Fitting Cable |
| 41. | 710-0116 | Hex Jam L-Nut 3/8-24 Thd. |
| 42. | 684-0037B | Handle Ass'y LH |
| 43. | 684-0036A | Handle Ass'y RH |

Model 7524



| Ref. No. | Part No. | Description |
|----------|-----------|-------------------------------|
| 1. | 618-0414A | Auger Gearbox Ass'y Comp. |
| 2. | 618-0123 | Housing Assembly, RH |
| 3. | 618-0418 | Housing Assembly, LH |
| 4. | 710-0642 | Screw, 1/4-20 x .75 |
| 5. | 711-0908A | 24" Auger Axle |
| 6. | 714-0161 | Hi-Pro Key |
| 7. | 715-0143 | Spirol Pin |
| 8. | 717-0526 | Worm Shaft .75 O.D. |
| 9. | 717-0528 | Worm Gear 20T |
| 10. | 718-0186 | Thrust .75 I.D. x .415 O.D. |
| 11. | 721-0325 | Plug 1/4 x .437 |
| 12. | 721-0327 | Oil Seal .75 I.D. x 1.73 O.D. |
| 13. | 736-0351 | Fl-Wash. .760 I.D. x 1.5 O.D. |
| 14. | 736-0369 | Fl-Wash. .508 I.D. x 1.0 O.D. |
| 15. | 736-0445 | Fl-Wash. .76 I.D. x 1.50 O.D. |
| 16. | 737-3000 | Lube Fitting 3/16 Drive |
| 17. | 741-0662 | Flange Bearing |
| 18. | 741-0663 | Flange Bearing |

Model 8526



| Ref. No. | Part No. | Description |
|----------|-----------|-------------------------------|
| 1. | 618-0415A | Auger Gearbox Ass'y Comp. |
| 2. | 618-0123 | Housing Assembly, RH |
| 3. | 618-0418 | Housing Assembly, LH |
| 4. | 710-0642 | Screw, 1/4-20 x .75 |
| 5. | 711-0909A | 26" Auger Axle |
| 6. | 714-0161 | Hi-Pro Key |
| 7. | 715-0143 | Spirol Pin |
| 8. | 717-0526 | Worm Shaft .75 O.D. |
| 9. | 717-0528 | Worm Gear 20T |
| 10. | 718-0186 | Thrust .75 I.D. x .415 O.D. |
| 11. | 721-0325 | Plug 1/4 x .437 |
| 12. | 721-0327 | Oil Seal .75 I.D. x 1.73 O.D. |
| 13. | 736-0351 | Fl-Wash. .760 I.D. x 1.5 O.D. |
| 14. | 736-0369 | Fl-Wash. .508 I.D. x 1.0 O.D. |
| 15. | 736-0445 | Fl-Wash. .76 I.D. x 1.50 O.D. |
| 16. | 737-3000 | Lube Fitting 3/16 Drive |
| 17. | 741-0662 | Flange Bearing |
| 18. | 741-0663 | Flange Bearing |