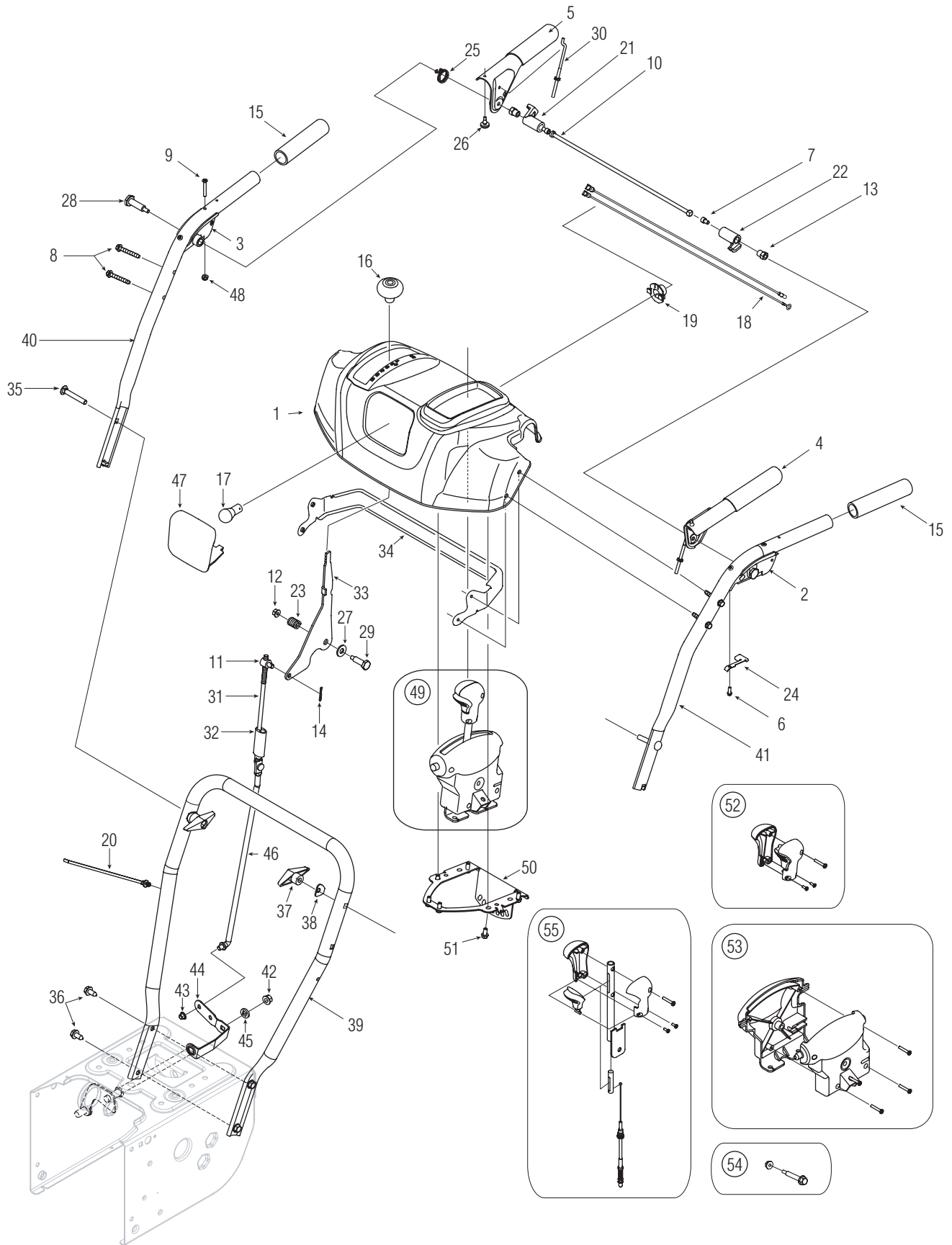


SECTION 9: PARTS LIST

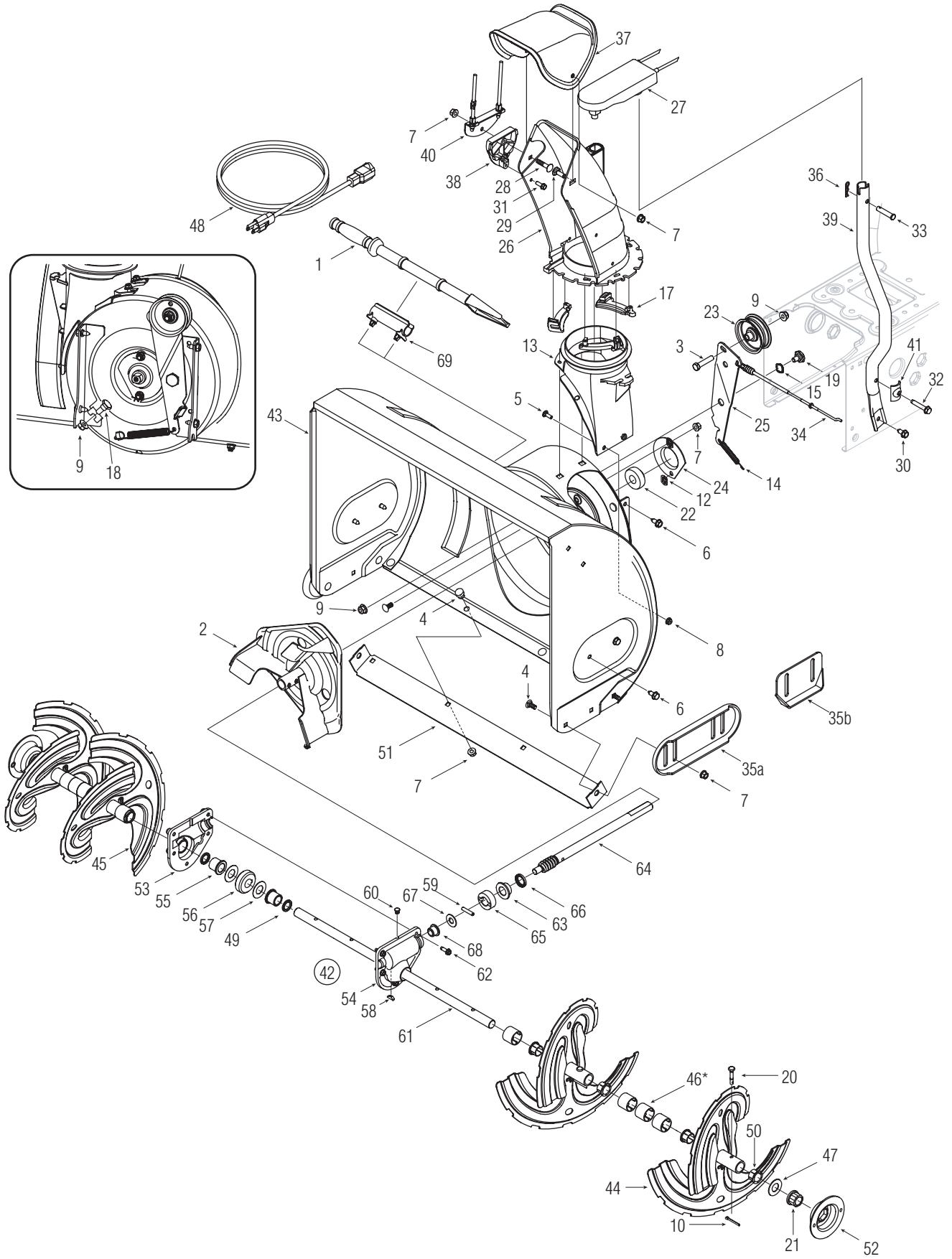


Style L

REF. NO.	PART NO.	DESCRIPTION	REF. NO.	PART NO.	DESCRIPTION
1	631-04124	Panel Assembly, L-Style, Yellow (Inc. Ref. 47)	27	736-0262	Washer, Flat, .385 x .870 x .092
	631-04128	Panel Assembly, L-Style, Black (Inc. Ref. 47)	28	738-04122	Screw, Shoulder, .437 x 1.345, 1/4-20
2	631-04133	Handle Assembly, Clutch Lock, LH (Inc. Ref. 48)	29	738-04125	Screw, Shoulder, .374 Dia. x 1.05
3	631-04134	Handle Assembly, Clutch Lock, RH (Inc. Ref. 48)	30	746-0778	Z-Fitting, Cable
4	684-04105	Handle Assembly, Engagement, LH	31	747-04284	Rod, Shift, .312 x 9.0 Upper
5	684-04106	Handle Assembly, Engagement, RH	32	750-04314	Connector Sleeve, Shift Rod
6	710-04326	Screw, #8-16 x .50	33	790-00130	Lever, Shift
7	710-04354	Screw, 1/4-20 x .375	34	790-00140	Bracket, Panel
8	710-1026	Screw, Self-tapping, 1/4-20 x 1.750	35	710-0449	Screw, Carriage, 5/16-18, 2.25, Gr5
9	710-1233	Screw, Machine, #10-24 x 1.375	36	710-0726	Screw, 5/16-12, 0.750
10	711-04287	Rod, Pivot	37	720-0284	Wing Knob, 5/16-18
11	711-0677	Ferrule, 5/16-18 x .312	38	736-0451	Washer, Saddle, 320 x .93 x .060
12	712-04064	Nut, Flange Lock, Nylon, 1/4-20	39	749-04138	Handle, Lower, Snow
13	712-04081A	Nut, Shoulder, Hex, 1/4-20,	40	749-04141	Handle, Upper, RH
14	714-0104	Pin, Cotter, .072 Dia. x 1.13	41	749-04142	Handle, Upper, LH
15	720-0274	Grip, 1.0 ID x 5.0	42	712-04063	Nut, Flange Lock, Nylon, 5/16-18
16	720-04039	Knob, Black	43	726-0135	Nut, Speed, .3125 Dia.
17	725-04213	Lamp	44	732-04205	Spring Lever, Shift
18	725-04214	Harness, Headlight	45	736-3015	Washer, Flat, .469 x .875 x .105
19	725-1649	Socket, Lamp	46	747-04257	Shift Rod, Lower
20	726-0470	Tie, Cable, 19 x 8.39", Tree Mount	47	731-04864	Lens
21	731-04894	Plate, Lock	48	712-0161	Nut, Hex Lock, Nylon, #10-24, Gr2
22	731-04896	Cam, Clutch Lock	49	684-04116	Chute Control Assembly, 4-Way (Inc. Cables & Control Head, not shown)
23	732-0193	Spring, Compression, .39 x .60 x .88	50	790-00131	Bracket, Joystick
24	732-04219	Spring, Clutch, Lock	51	710-04187	Screw, 1/4-15 x .50
25	732-04238	Spring, Torsion, 0.8156 ID x .3038	52	753-04863	Kit, 4-Way Knob
26	735-0199A	Bumper, Rubber, .62 OD x .22	53	753-04864	Kit, Chute Control Housing
			54	753-04865	Kit, Chute Control Pivot
			55	753-04866	Kit, Lever Tube

NOTE: Snow thrower features and components vary by model. NOT all parts listed above and pictured on the previous page are standard equipment.

Style L



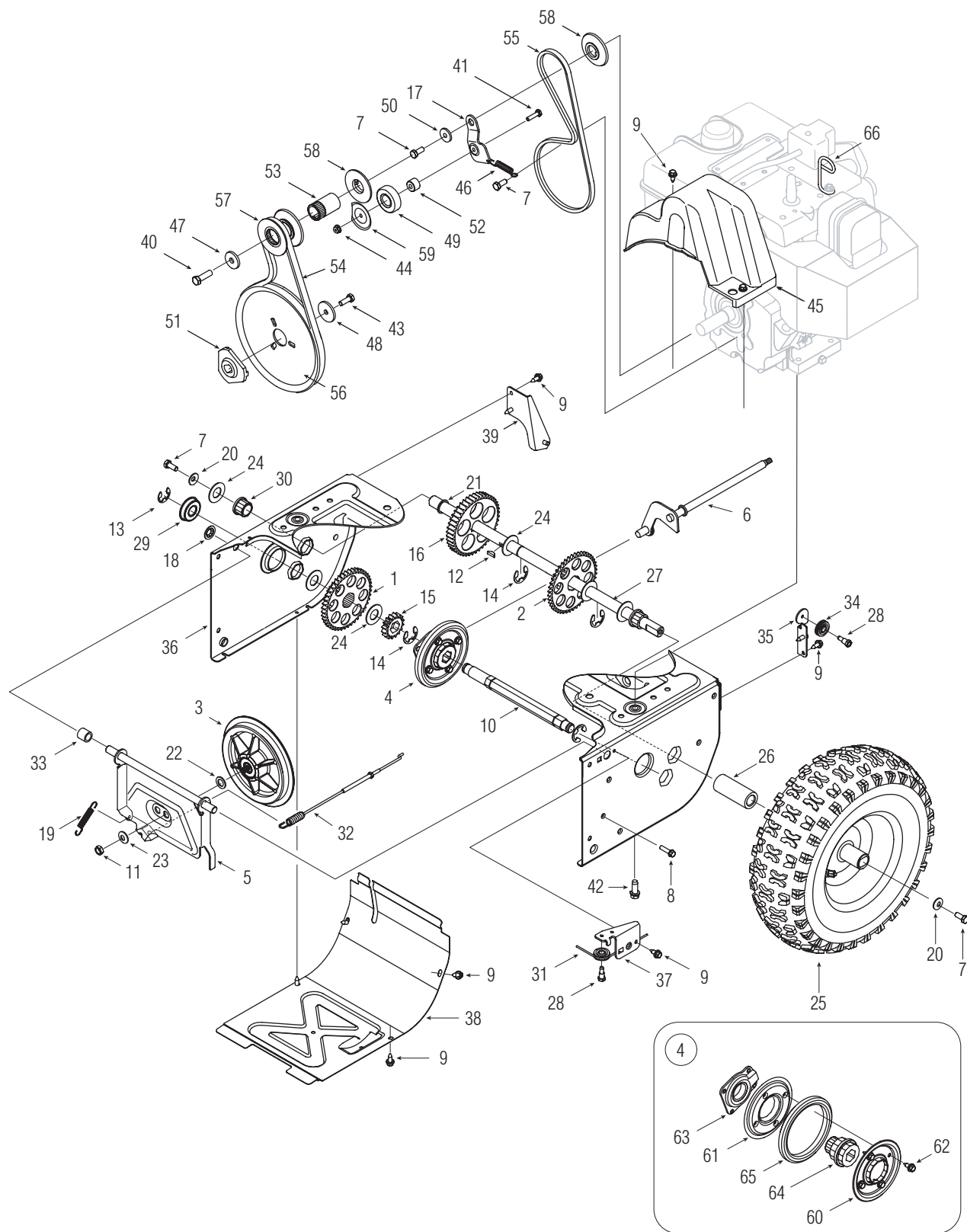
Style L

REF. NO.	PART NO.	DESCRIPTION	REF. NO.	PART NO.	DESCRIPTION
1	731-2643	Removal Tool, Snow	40	784-5594	Cable Bracket (Cables not included)
2	684-04057	Impeller Assembly, 12" Dia	41	784-5599	Tab, Handle
3	710-0347	Screw, 3/8-16 x 1.75, Gr5, Std	42	618-04171	Gearbox Assembly, Auger, 24"
4	710-0451	Bolt, Carriage, 5/16-18 x .750 Gr1		618-04172	Gearbox Assembly, Auger, 26"
5	710-0703	Screw, Carriage, 1/4-20 x .75, Gr5		618-04173	Gearbox Assembly, Auger, 28"
6	710-0726	Screw, 5/16-12 x 0.750		618-04165	Gearbox Assembly, Auger, 30"
7	712-04063	Nut, Flange Lock, Nylon, 5/16-18, GrF	43	684-04069	Housing Assembly, Auger 24"
8	712-04064	Nut, Flange Lock, Nylon, 1/4-20, GrF		684-04071	Housing Assembly, Auger 26"
9	712-04065	Nut, Flange Lock, Nylon, 3/8-16, GrF		684-04073	Housing Assembly, Auger 28"
10	714-0507	Pin, Cotter, 3/32 x .750		684-04063	Housing Assembly, Auger 30"
11	725-0157	Cable, Tie, 3/16 x .05 x 7.4	44	684-04107	Spiral Assembly, LH
12	726-04012	Nut, Push-on, .25 Dia	45	684-04108	Spiral Assembly, RH
13	731-04705	Chute, Adapter 5" Dia	46	731-04870	Spacer, 1.25 OD x .75 ID x 1.00
14	732-0611	Spring, Extension, .38 OD x 3.6	47	736-0188	Washer, Flat, .76 x 1.49 x .06
15	736-0174	Washer, Wave, .625 x .885 x .015	48	629-0071	Extension Cord, 3-Prong
16	736-0463	Washer, Flat, .25 x .630 x .0515	49	721-0179	Seal, Oil, .750 ID
17	731-04869	Keeper, Flange	50	741-0493A	Bushing, Flange, .800 ID x .910 OD
18	738-0143	Screw, Shoulder, .498 x .340, 3/8-16	51	790-00120	Plate, Shave, 2.25 x 23.66
19	738-0281	Screw, Shoulder, .625 x .17, 3/8-16		790-00121	Plate, Shave, 2.25 x 25.66
20	738-04124	Pin, Shear, .25 x 1.50, Gr2		790-00118	Plate, Shave, 2.25 x 27.66
21	741-0245	Bearing, Hex Flange x .75 ID		790-00119	Plate, Shave, 2.25 x 29.66
22	741-0309	Bearing, Ball, .75 ID x 1.85 OD	52	790-00087	Housing, Bearing, 1" Hex
23	756-0981A	Pulley, Idler, Flat 2.75 OD	53	719-0319	Housing, Auger, RH Reducer
24	790-00075	Housing, Bearing, 1.85 ID	54	719-0320	Housing, Auger, LH Reducer
25	790-00080	Bracket, Auger Idler w/ Brake	55	741-0661A	Bearing, Flange, .75 ID x 1.00 OD x .975
26	631-04132	Chute Assembly, Lower, 4-way (Inc. Ref 17, Qty. 3)	56	717-0528A	Gear, Worm 20T
27	684-04116	Control Head (Inc. 4-Way Chute Control Ass'y, not shown)	57	736-0351	Washer, Flat, .760 ID x 1.5 OD
28	710-0262	Bolt, Carriage, 5/16-18, 1.50, Gr2	58	714-0161	Key, Hi-pro 3/16 x 5/8
29	710-04071	Bolt, Carriage, 5/16-18, 1.00	59	715-04021	Pin, Dowel, .25 OD x 1.2
30	710-0726	Screw, 5/16-12 x 0.75	60	721-0325	Plug, 1/4 x .437
31	710-0895	Screw, 1/4-15 x 0.75	61	711-04285	Axle, Auger, 24"
32	710-0909A	Screw, Self-tapping 5/16-18 x 1.75		711-04284	Axle, Auger, 26"
33	711-0415	Pin, Clevis, 3/8 x 1.75		711-04283	Axle, Auger, 28"
34	746-0897	Auger Clutch Cable, 44.75"		711-04282	Axle, Auger, 30"
35a	790-00091	Shoe, Skid (Deluxe)	62	710-0642	Screw, Self-tapping, 1/4-20, 0.750
35b	784-5580	Shoe, Skid (Standard)	63	741-0662	Bearing, Flange, .75 ID x 1.00 OD x .59
36	714-0104	Pin, Cotter, .072 Dia. x 1.13	64	717-04126	Shaft, Worm .75 OD
37	731-04427	Upper Chute, Remote	65	718-04071	Collar, Thrust
38	731-1313C	Cable Guide, Chute Tilt	66	721-0327	Seal, Oil, .75 x 1 x .131
39	749-04155	Support Tube, Chute	67	736-3084	Washer, Flat, .51 x 1.12
			68	741-0663	Bearing, Flange, .75 ID x 1.00 OD x .925
			69	731-2635	Mount, Clean Out Tool

- * One found between spirals on models with 24-inch auger housing.
- * Two found between spirals on models with 26-inch auger housing.
- * Three found between spirals on models with 28-inch auger housing.

NOTE: Snow thrower features and components vary by model. NOT all parts listed above and pictured on the previous page are standard equipment.

Style L



Style L

REF. NO.	PART NO.	DESCRIPTION	REF. NO.	PART NO.	DESCRIPTION
1	617-04026	Gear Assembly, 16/44T	34	756-0625	Roller, Cable
2	617-04025	Gear Assembly, 16/44T	35	784-5687A	Guide Bracket, Auger Cable
3	656-0012A	Disc Assembly, Friction Wheel, .375	36	790-00072	Frame
4	684-04066	Wheel Assembly, Friction, 4.9 OD	37	790-00096	Guide Bracket, Front, Auger Cable
5	684-04045	Support Bracket Ass'y, Friction Wheel	38	790-00054	Cover, Frame
6	684-04139	Shift Assembly, Rod	39	790-00055	Roller Bracket, Drive Cable
7	710-0627	Screw, 5/16-24 x .750, Gr5	40	710-0191	Screw, 3/8-24 x 1.25, Gr8
8	710-0788	Screw, 1/4-20 x 1.000	41	710-0597	Screw, 1/4-20 x 1.00, Gr5
9	710-1652	Screw, 1/4-20 x .625	42	710-0654A	Screw, Sems, 3/8-16 x 1.00
10	711-04246A	Hex Shaft, Drive, .75	43	710-1245B	Screw, 5/16-24 x .875, Gr8
11	712-0711	Nut, Jam, 3/8-24, Gr2	44	712-04064	Nut, Flange Lock, Nylon, 1/4-20, GrF
12	714-0161	Key, Hi-pro 3/16 x 5/8	45	731-04792	Cover, Belt
13	716-0231	Ring, E Type, .750	46	732-0710	Spring, Extension, .38 OD x 2.68
14	716-0136	Ring, E-Type, .875	47	736-0247	Washer, Flat, .406 x 1.25 x .157
15	717-04129A	Pinion, 16T	48	736-0505	Washer, Flat, .34 x 1.50 x .150
16	717-04137A	Gear, 44T	49	741-0919	Bearing, Ball, 20 x 47 x 14
17	790-00082	Idler, Bracket, Drive	50	748-0234	Shoulder Spacer
18	726-0221	Nut, Speed, .500	51	748-04053	Pulley, Adapter, .75 Dia.
19	732-0264	Extension Spring	52	750-04230	Spacer, .777 OD x .260 ID x .550
20	736-0242	Washer, Bell, .340 x .872 x .060	53	750-04303	Spacer, .875 ID x 1.185 OD
21	736-04161	Washer, Flat, .75 x 1.00 x .060	54	754-04050	V-Belt, 1/2"
22	736-0300	Washer, Flat, .406 x .875 x .059	55	754-0456	V-Belt, 3/8"
23	736-0105	Washer, Bell, .375 x .870 x .063	56	756-04109	Pulley, Auger, 8.1 x .50
24	736-0287	Washer, Flat, .793 x 1.24 x .060	57	756-04113	Pulley, Half, 2.600 OD
25	See Chart	Wheel, Complete	58	756-04114	Pulley, Half, 2.2 OD
26	731-04873	Spacer, 1.25 OD x .75 ID x 3.00	59	790-00062	Washer, Bearing, 2.12 OD x .255 ID
27	738-04095A	Axle, .75 x 22	60	790-00010	Plate, Friction, 12 Pt 4.60 Dia
28	738-0924	Screw, 1/4-28 x .375	61	790-00011	Plate, Friction, Extrs, 12 Pt 4.60 Dia
29	741-0563	Bearing, Ball, 17 x 40 x 12	62	710-0896	Screw, Self-tapping, 1/4-14 x 0.625
30	741-0245	Bearing, Hex Flange x .75 ID	63	618-04169	Bearing Assembly, Friction Wheel
31	746-0897	Cable, Auger, 44.75	64	718-04070	Hub, Friction Wheel
32	746-04086	Cable, Drive, 41.75	65	735-0243B	Friction Wheel Rubber, 4.875 OD
33	748-0190	Spacer, .508 ID x .75 OD x .68	66	732-0705	Guide, Cable

Wheel Assembly Complete	Wheel Size	Rim Only	Tire Only	Air Valve
634-04144	13 x 4	634-04151	734-1732	734-0255
634-04143	13 x 5	634-04151	734-1527	734-0255
634-04142	15 x 5	634-04151	734-1859	734-0255
634-04141	16 x 4.8	634-04140	734-1530	734-0255

NOTE: Snow thrower features and components vary by model. NOT all parts listed above and pictured on the previous page are standard equipment.