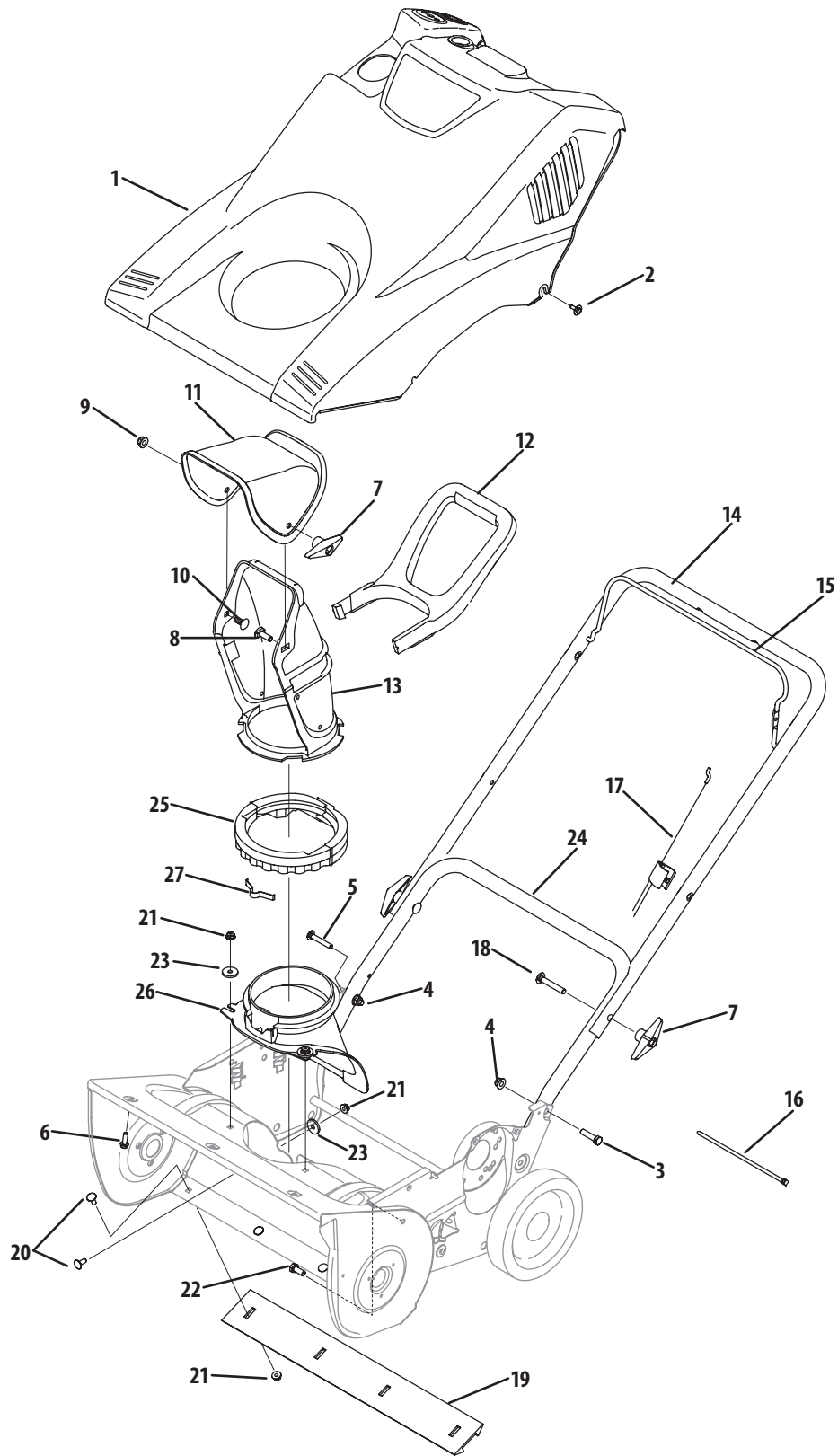

ILLUSTRATED PARTS MANUAL



Snow Thrower — Model 2M1

MTD LLC, P.O. BOX 361131 CLEVELAND, OHIO 44136-0019

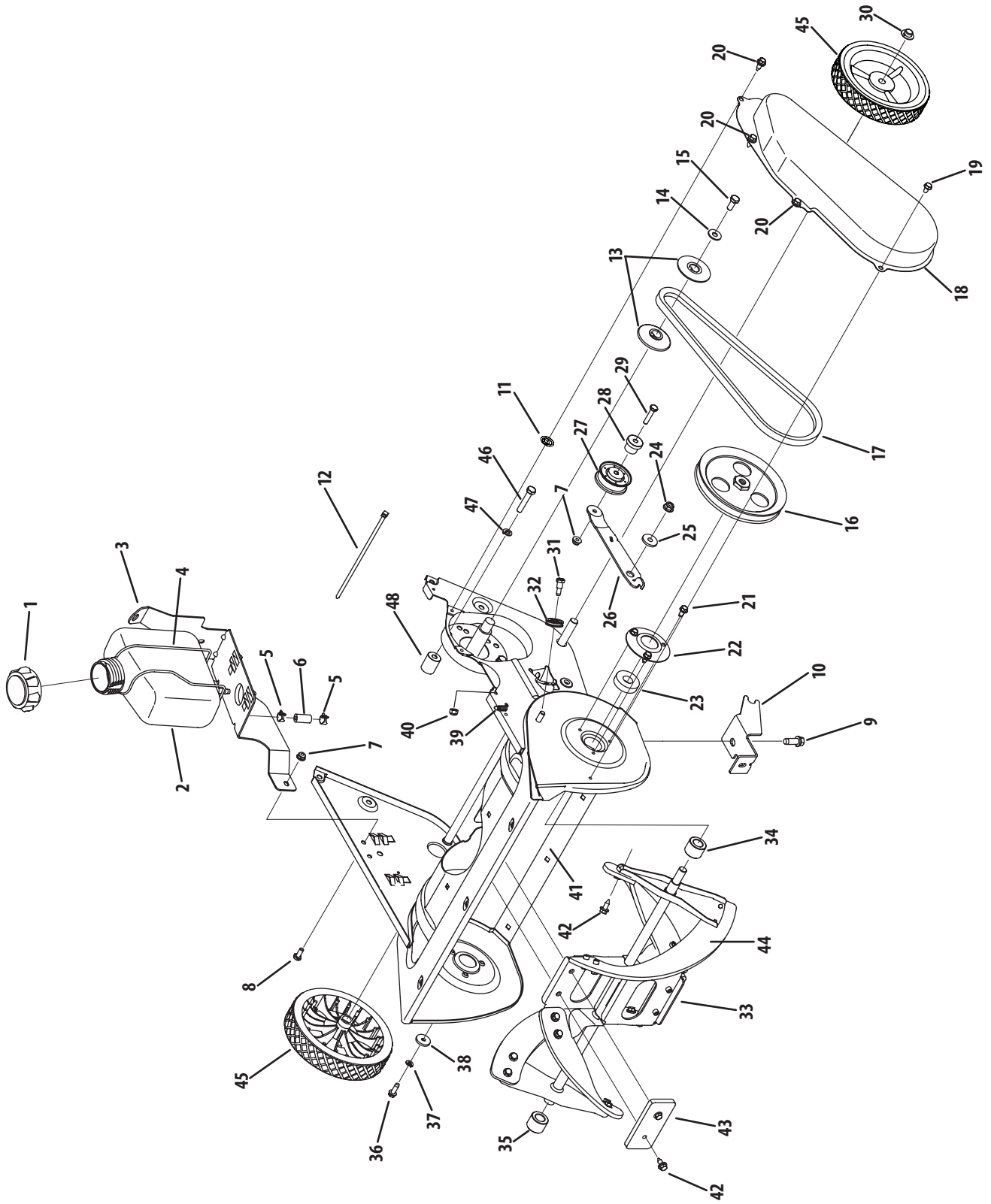
Model 2M1 Snow Thrower Shroud, Chute & Handle



Model 2M1 Snow Thrower Shroud, Chute & Handle

Ref.	Part Number	Description
1.	684-04236A	Shroud
2.	710-04669	Hex Screw, 10-16 x .625
3.	710-1090	Hex Flange Screw, 5/16-18 x 1.25
4.	712-04063	Flange Lock Nut, 5/16-18
5.	710-1882	Hex Flange Screw, 5/16-18 x 1.50
6.	710-0895	Hex Screw, 1/4-15 x .750
7.	720-0284	Wing Nut, 5/16-18
8.	710-04071	Carriage Bolt, 5/16-18 x 1.00
9.	712-04063	Flange Lock Nut, 5/16-18
10.	710-0451	Carriage Bolt, 5/16-18 x .750
11.	731-04426A	Upper Chute
12.	731-04388A	Chute Handle
13.	731-04127	Lower Chute
14.	749-04459	Upper Handle
15.	747-04165	Bail Control
16.	725-0157	Cable Tie, 3/16 x .05 x 7.4
17.	746-04237	Clutch Cable
18.	710-04532	Carriage Bolt, 5/16-18 x 2.00
19.	731-1033	Shave Plate, 21"
20.	710-0134	Carriage Screw, 1/4-20 x .62
21.	712-04064	Flange Lock Nut, 1/4-20
22.	710-3008	Hex Screw, 5/16-18 x .75
23.	736-0176	Flat Washer, .265 x .938 x .120
24.	749-04114	Lower Handle
25.	731-04353	Lower Chute Ring
26.	731-04886	Chute Adapter
27.	732-04111	Chute Adjustment Spring

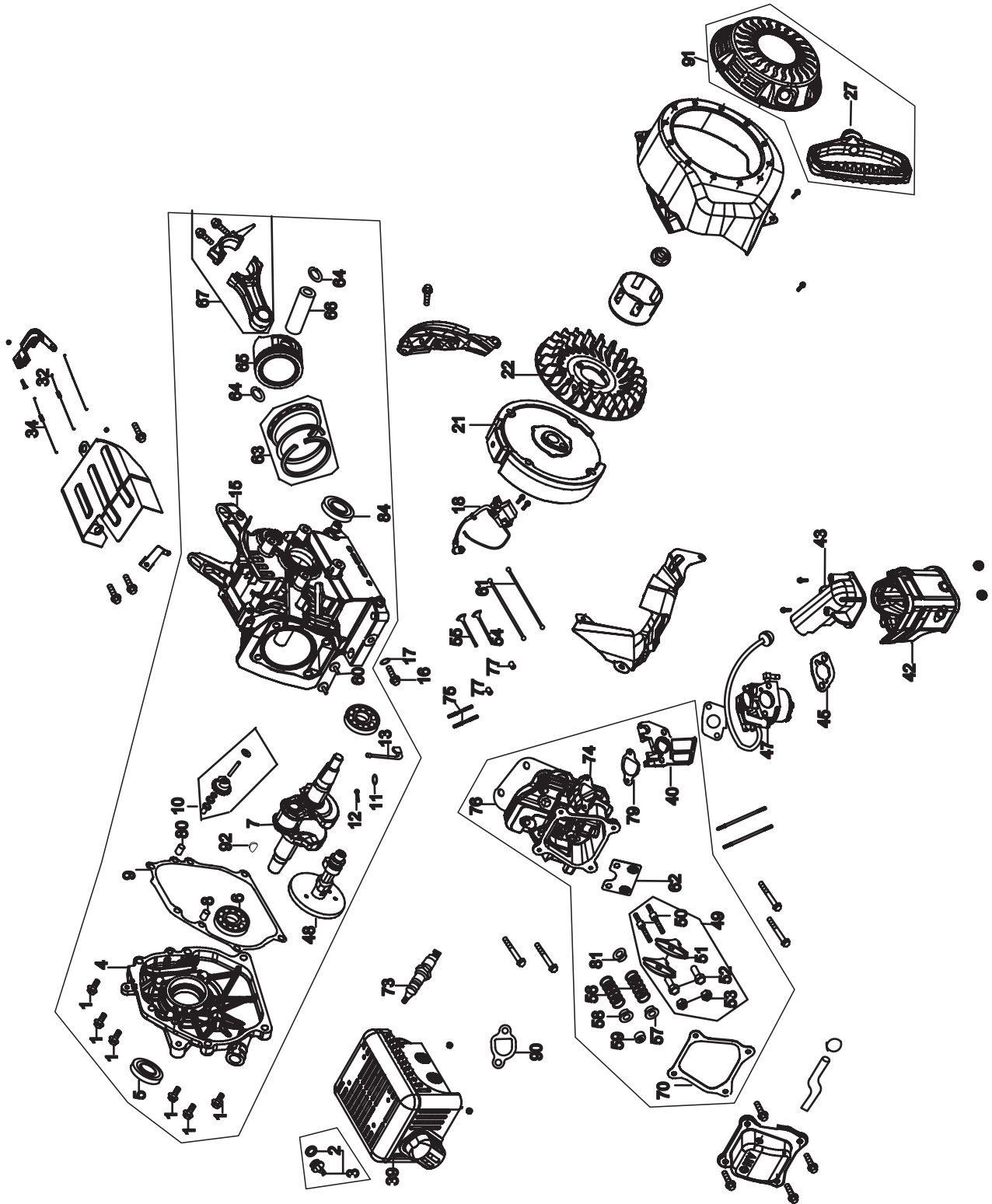
Model 2M1 Snow Thrower Drive System & Auger Assembly



Model 2M1 Snow Thrower Drive System & Auger Assembly

Ref.	Part Number	Description	Ref.	Part Number	Description
1.	751-10487	Fuel Cap	25.	748-0234	Shoulder Spacer
2.	751-10023	Fuel Tank, 2 Qt.	26.	790-00238A	Idler Bracket
3.	790-00134	Fuel Tank Bracket	27.	684-04168	Idler Pulley Assembly, 1.917
4.	747-04236	Fuel Tank Support Wire	28.	750-04571	Shoulder Spacer, .280 x .785 x .538
5.	726-0205	Hose Clamp, .490	29.	710-0106	Hex Screw, ¼-20 x 1.25
6.	751-0535	Fuel Line Hose	30.	726-0299	Push Cap, ½
7.	712-04064	Flange Lock Nut, ¼-20	31.	738-0924A	Shoulder Screw,
8.	710-0751	Hex Bolt, ¼-20 x .620	32.	756-0625	Cable Roller
9.	710-0654A	Screw, ¾-16 x 1.000	33.	684-04253	Auger Assembly, 21"
10.	790-00216	Engine Bracket	34.	750-04757	LH Spacer
11.	726-0233	Push Nut, .25 ID x .50 OD	35.	750-04758	RH Spacer
12.	726-0154	Cable Tie, 7.5"	36.	710-0642	Hex Screw, ¼-20 x .750
13.	756-0416B	Pulley Half, .625 ID x .225 OD	37.	736-0329	Lock Washer, ¼
14.	736-0242	Bell Washer, .340 x .872 x .060	38.	736-0176	Flat Washer, .265 x .938 x .120
15.	710-0627	Hex Bolt, ⅝-24 x .750	39.	732-0357A	Extension Spring, .33 x 1.12
16.	756-04232	Pulley, ½ x 6.00	40.	712-0896	Hex Lock Nut, ¼-28
17.	754-0101A	V-Belt	41.	684-04227	Auger Housing Assembly, 21"
18.	790-00045B	Belt Cover	42.	710-0896	Hex Screw, ¼-14 x .625
19.	710-0653	Hex Screw, ¼-20 x .375	43.	735-04033	Rubber Pad
20.	710-0896	Hex Screw, ¼-14 x .625	44.	735-04032	Spiral Crescent
21.	710-1005	Hex Screw, ¼-14 x .500	45.	734-04070	Wheel, 7 x 1.61
22.	790-00249	Bearing Cup	46.	710-0409	Hex Bolt, ⅝-24 x 1.75
23.	741-04188A	Ball Bearing, .625 x 37 x 12	47.	736-0119	Lock Washer, ⅝
24.	712-04063	Flange Lock Nut, ⅝-18	48.	750-04297B	Spacer, .875 x .320 x 1.027

123cc ZS 161-JW Engine



123cc ZS 161-JW Engine

Part No.	Description	Ref. No.
751-10950	Short Block Assembly	—
	Crankcase Complete	15
	Crankcase Cover	4
	Piston	65
	Piston Ring Set - Oil	63
	Piston Pin	66
	Piston Pin Clip	64
	Connecting Rod Complete	67
	Valve Lifter	60
	Camshaft Assembly	48
	Carburetor Insulator Plate Gasket	79
	Crankshaft Assembly	7
	Carburetor Insulator Plate	40
	Muffler Gasket	90
	Governor Arm Shaft	13
	Pin Lock	12
	Governor Assembly	10
	Case Cover Gasket	9
	Cylinder Head Gasket (Graphite)	76
	Heat Pipe Intake Gasket	45
	Head Cover Gasket	70
	Oil Drain Plug	16
	Oil Drain Plug Washer	17
	Dowel Pin	8
	Dowel Pin	80
	Bearing	6
	Bolt	1
	Oil Seal	5
	Oil Seal	84
	O-ring Dipstick	2
	O-ring Gov. Shaft	11

Part No.	Description	Ref. No.
751-10949	Cylinder Head Assembly	—
	Head Cover Gasket	70
	Rocker Arm & Bolt Assembly (Incl. 50-53)	49
	Pivot Bolt	50
	Rocker Arm	51
	Valve Adjusting Nut	52
	Pivot Locking Nut	53
	Valve Spring	56
	Intake Valve Spring Seat	57
	Exhaust Valve Spring Seat	58
	Exhaust Valve Adjuster	59
	Push Rod Guide Plate	62
	Carburetor Insulator	40
	Carburetor Insulator Gasket	79
	Cylinder Head - Complete	74
	Cylinder Head Gasket	76
751-10951	Gasket Kit - Complete	—
	O-ring	2
	Crankcase Cover Gasket	9
	O-ring, 5.2 x 1.9	11
	Oil Seal, 22 x 35 x 7	84
	Washer, 10 x 16 x 1.5	17
	Cylinder Head Gasket	76
	Muffler Gasket	90
	Head Cover Gasket	70
	Carburetor Insulator Gasket	79
	Carburetor Gasket	45

123cc ZS 161-JW Engine

Part No.	Description	Ref. No.
751-10952	Gasket Kit - External	—
	O-ring	2
	Washer, 10 x 16 x 1.5	17
	Muffler Gasket	90
	Head Cover Gasket	70
	Carburetor Insulator Gasket	79
	Carburetor Gasket	45
751-10948	Carburetor Kit Major	NS
751-10292	Spark Plug	73
751-10953	Governor Return Spring	34
751-10954	Throttle Return Spring	32
751-10955	Recoil Starter Assembly	91
731-05696	Recoil Starter Handle	27
751-10657	Muffler Stud Assembly	75
751-10307	Flywheel Key	92
751-10908	Flywheel	21
751-10910	Cooling Fan	22
751-10956	Carburetor Assembly	47
751-10961	Intake Heater Box	43
751-10962	Intake Heater Box Base	42
751-10912	Valve Kit	54,
		55
751-10913	Push Rod Kit	61
751-10948	Carburetor Kit - Major	NS
751-10957	Dipstick Assembly	2, 3
751-10958	Ignition Coil	18
751-10370	Oil Drain Plug & Washer Assembly	16,
		17
751-10959	Muffler Gasket	90
751-10901	Muffler Assembly	39
751-10639	Primer	46
731-05632	Ignition Key	NS



To order replacement parts or locate your nearest service dealer call a Customer Support at (800) 800-7310.
or visit www.mtdproducts.com to find the nearest authorized dealer in your area.

MTD LLC, P.O. BOX 361131 CLEVELAND, OHIO 44136-0019
