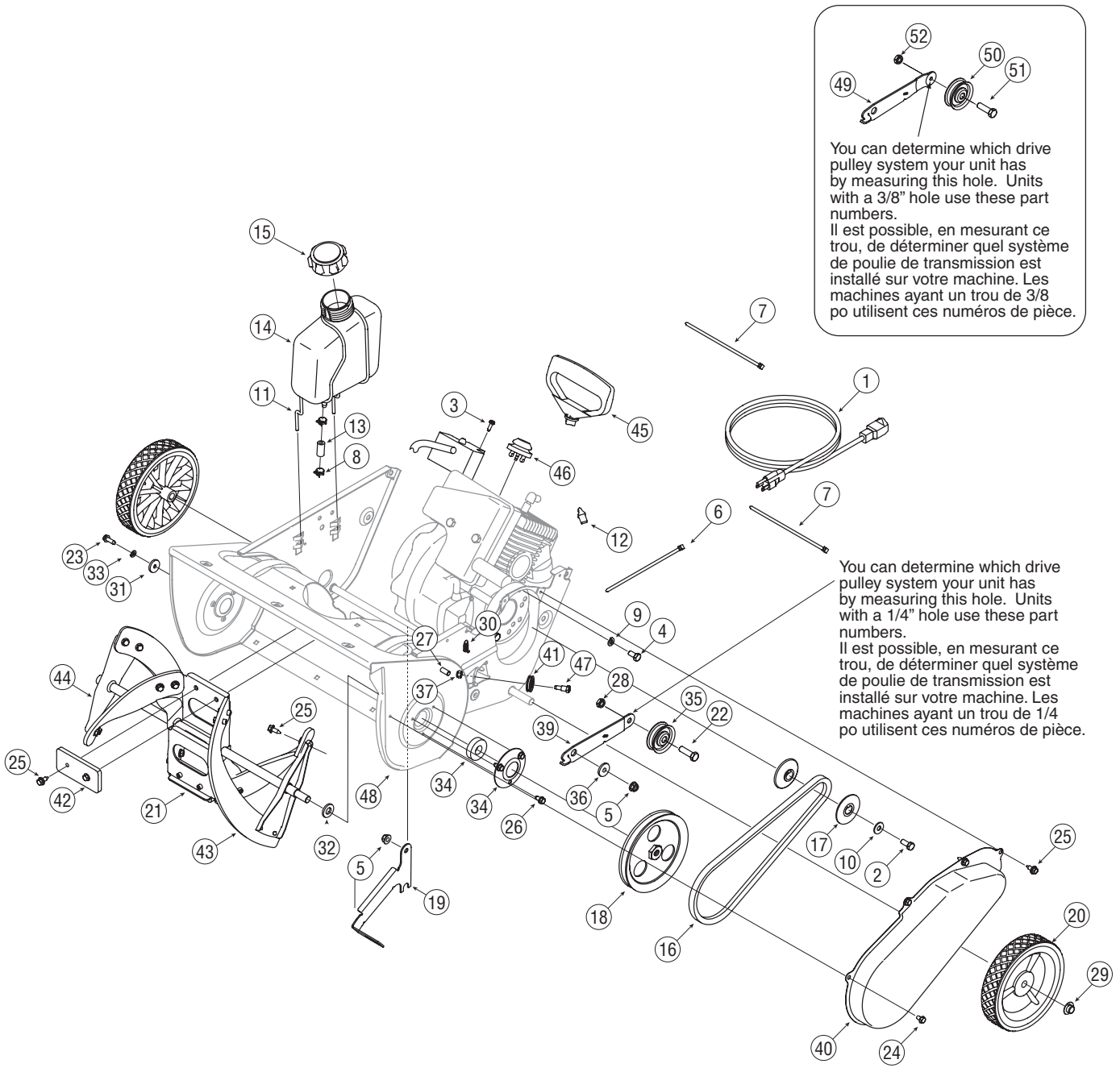
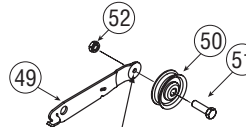


SECTION 11: PARTS LIST/LISTE DE PIÈCES DÉTACHÉES



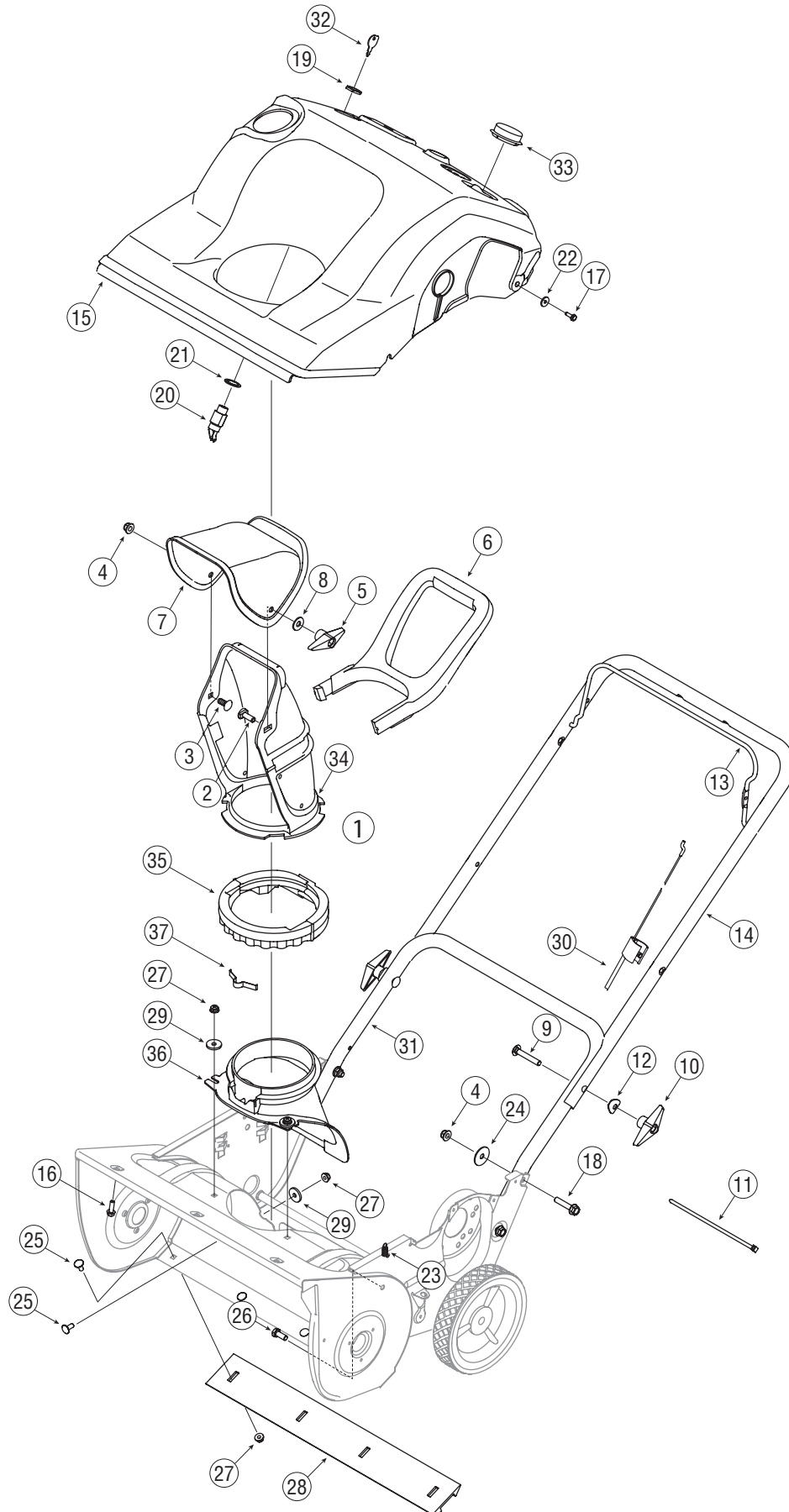


 You can determine which drive pulley system your unit has by measuring this hole. Units with a 3/8" hole use these part numbers.
 Il est possible, en mesurant ce trou, de déterminer quel système de poulie de transmission est installé sur votre machine. Les machines ayant un trou de 3/8 po utilisent ces numéros de pièce.

You can determine which drive pulley system your unit has by measuring this hole. Units with a 1/4" hole use these part numbers.
 Il est possible, en mesurant ce trou, de déterminer quel système de poulie de transmission est installé sur votre machine. Les machines ayant un trou de 1/4 po utilisent ces numéros de pièce.

REF NO. N° DE RÉF	PART NO. N° DE PIÈCE	DESCRIPTION
1	629-0236	Cord-Extension 110V3M 2 Prong
2	710-0627	Hex L-Bolt 5/16-24 x .75 Gr. 5
3	710-1003	Hex Wash B-Tapp Scr #10 x .62" Lg.
4	710-3025	Screw-Hex Cap
5	712-04063	Flange Locknut 5/16-18 Gr. F, Nylon
6	725-0157	Cable Tie
7	726-0154	Push Mount Tie
8	726-0205	Hose Clamp
9	736-0119	L-Wash 5/16 ID
10	736-0159	Flat Washer .349 ID x .879 OD x .063
11	747-04150	Gas Tank Support Wire
12	7511825510	Choke Lever Knob
13	751-0535	Fuel Line
14	751-10023	Fuel Tank 2 Quart
15	751-10049	Cap-Fuel
16	754-0101A	V-Belt 1/2 x 35.0" Lg.
17	756-0416B	Pulley Half .625 ID x 2.25 OD
18	756-0475	1/2" V-Pulley 1/2-20 LH x 6,0" OD
19	790-00225	2-cycle Mounting Bracket
20	734-04070	Wheel, 7 x 1.61 dia.
21	684-04027A	Auger Assembly
22	710-0672	Hex Screw 5/16-24 x 1.25
23	710-0642	Thd Forming Scr. 1/4-20 x .75 Lg.
24	710-0653	Hex Wash HD Tapp Scr 1/4-20 x .375
25	710-0896	Hex B-Tap Scr 1/4-28 x .25" Lg
26	710-1005	Hex Tap Scr. 1/4-20 x .50" LG.
27	710-3008	Hex Bolt 5/16-18 x .75" Lg. Gr. 5
28	712-04064	Flange Locknut 1/4-20 Gr. F, Nylon
29	726-0299	Push Cap x 1/2" Rod
30	732-0357A	Extension Spring .33 OD x 1.12 Lg.
31	736-0176	Flat Washer .25 ID x .93 OD x .125
32	736-0326	Flat Washer .50 ID x 1.00 OD x .125
33	736-0329	L-Wash 1/4 ID
34	741-0600	Ball Bearing 17 x 40 x 12
35	684-04168	Idler Pulley (1/4" hole)
36	748-0234	Shoulder Spacer .25 THK
37	712-0896	Hex Ins Jam L-Nut 1/4-28
38	784-5174	Bearing Cup
39	790-00238A	Idler Bracket (Pulley hole 1/4")
40	790-00045A	Belt Cover
41	756-0625	Cable Guide Roller
42	735-04033	Rubber Paddle
43	735-04032	Rubber Spiral-Crescent
44	684-04025A	Auger Ass'y 21" w/Solid Shaft
45	7510009636	Recoil Handle, Mitten
46	7512B1476	Primer
47	738-0924	Hex Shld.Scr. 1/4-28 x .375
48	684-04167	Auger Assembly Housing
49	790-00238	Idler Bracket w/brake (Pulley hole 3/8")
50	756-0313	Idler Pulley (3/8" hole)
51	710-0191	Hex Screw 3/8-24 x 1.25
52	712-0116	Jam Locknut 3/8-24

31A-2501
7.14.05



REF NO. N° DE RÉF	PART NO. N° DE PIÈCE	DESCRIPTION	DESCRIPTION
1	684-04127	Lower Chute Ass'y (Incl. #5-7 and 10)	
2	710-04071	Carriage Screw 5/16-18 x 1.0	
3	710-0451	Carriage Bolt 5/16-18 x .75	
4	712-04063	Flange Locknut 5/16-18 Gr. F, Nylon	
5	720-0284	Handle Knob Assembly	
6	731-04388A	Chute Handle	
7	731-04426A	Upper Chute w/Domestic Label	
8	736-0159	Flat Washer .349 ID x .879 OD x .063	
9	710-0487	Carriage Bolt 5/16-18 x 2.0	
10	720-0284	Handle Knob Assembly	
11	725-0157	Cable Tie	
12	736-0451	Saddle Wash. .320 ID x .937 OD	
13	747-04165	Gull Wing Bail	
14	749-1092A	Upper Handle	
15	684-04044	Shroud Ass'y	
16	710-04187	Hi-Lo Screw 1/4-15 x .50	
17	710-1003	Hex Wash B-Tapp Scr #10 x .62" Lg.	
18	710-1882	Hex Scr. 5/16-18 x 1.50 Gr. 5	
19	712-0252	Hex Nut 5/8-32 x .12 Special	
20	725-2018	Key Switch-Electric Start	
21	736-0225	L-Washer Internal	
22	736-0400	Flat Washer .218" ID x .62" OD	
23	732-0357A	Extension Spring .33 OD x 1.12 Lg.	
24	736-0362	Flat Washer .22 ID x 1.25	
25	710-0134	Carriage Bolt 1/4-20 x .62	
26	710-3008	Hex Bolt 5/16-18 x .75" Lg. Gr. 5	
27	712-04064	Hex L-Flanged Nut 1/4-20 Gr. F Nylon	
28	731-1033	Shave Plate	
29	736-0176	Flat Washer .25 ID x .93 OD x .125	
30	746-04237	Control Cable	
31	749-04114	Lower Handle	
32	725-0201	Ignition Key	
33	731-1133C	Spark Plug Cover	
34	731-04127	Lower Chute 5" Dia	
35	731-04353	Ring-Lower Chute	
36	731-04886	Chute Adapter 5" Dia	
37	732-04111	Chute Adjustment Spring	

31A-2502
5.6.05