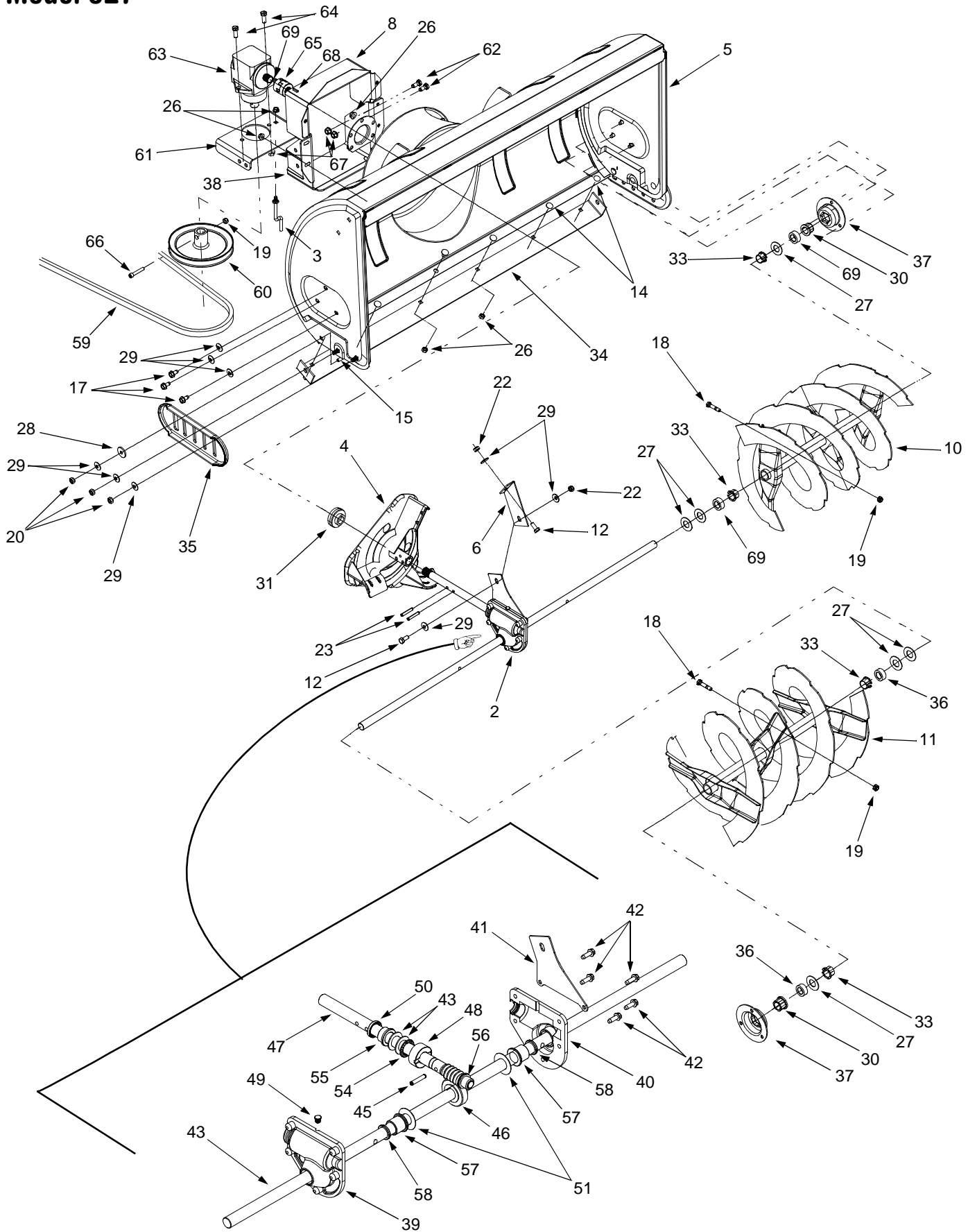


Model 627

REF. NO.	PART NO.	DESCRIPTION	REF. NO.	PART NO.	DESCRIPTION
1	611-0132	Rod Assembly	60	736-0231	Flat Washer, .344 x 1.125 x .125
2	710-3131	Hex Cap Screw, 1/2-13 x 1.0	61	736-0242	Bell Washer, .34 x .872
3	710-0151	Hex Cap Screw, 3/8-24 x 2.0	62	736-0451	Saddle Washer, .32 x .93
4	710-0964A	Hex Cap Screw, 5/8-18 x 1.31	63	746-0929	Chute Cable w/ Clip, 54.5"
5	710-0514	Hex Cap Screw, 3/8-16 x 1.0	64	746-0928	Chute Cable, 54.5"
6	711-0332	Clevis Pin, .5 x .78	65	784-5594	Cable Bracket
7	712-0386A	Slotted Hex Nut, 5/8-18	66	784-5604	Chute Tilt Handle
8	712-3022	Hex Lock Nut, 1/2-13	67	683-0298	Lift Bracket Assembly
9	714-0474	Cotter Pin, .125 x .75	68	703-2728A	Snow Throwing Lift Bracket
10	714-0470	Cotter Pin, 1/8 x 1.25	69	710-3008	Hex Cap Screw, 5/16-18 x .75
11	714-0507	Cotter Pin	70	710-1268	Hex Index Washer Screw #10-16 x .375
12	716-0102	Snap Ring	71	710-3143	Pan Phillips Screw, #10-24 x .75
13	732-0262	Extension Spring	72	712-0127	Flat Weld Nut, #10-24
14	736-0366	Flat Washer, .64 x 1.12 x .125	73	756-0218	Flat Idler Pulley, 3.25
15	736-0272	Flat Washer, .51 x 1.0 x .060	74	715-0114	Heavy Duty Spirol Pin, 1/4 x 1.5
16	710-0331	Hex Cap Screw, 3/8-24 x 2.25	75	720-0274	Handle Grip
17	756-0300	Flat Washer, .406 x .875 x .059	76	732-0306	Compression Spring, .406 x .531 x 1.75
18	738-0234	Shoulder Screw, .5 x .29, 3/8-16	77	736-0119	Lock Washer, 5/16
19	741-0170	Flange Bearing w/ Flats	78	736-0140	Flat Washer, .385 x .62 x .063
20	736-0169	Lock Washer, 3/8	79	736-0400	Flat Washer, .194 x .62 x .063
21	738-0347	Shoulder Spacer, .625 x .169	80	746-3060A	Lift Cable, 42" w/ Trigger Control
22	783-0382	Link, 4.88	81	747-1203	Lift Index Rod
23	783-0878	Link, 13.25	82	750-1028A	Lift Handle Tube
24	783-1263	Link, 17.30	83	710-0805	Hex Cap Screw, 5/16-18 x 1.5
25	784-5727	Idler Pivot Arm	84	715-0138	Rolled Pin, 1/8 x .63
26	784-5728	Idler Support Bracket	85	715-0129	Spirol Pin, .125 x .82
27	756-3080	Double Pulley, 7.0 x 3.5	86	720-0201A	Crank Knob
28	710-3180	Hex Cap Screw, 5/16-18 x 1.75	87	726-0100	Push Cap, 3/8 ID
29	716-3020	Internal Snap Ring	88	735-0234	Rubber Grommet, .44 x .94 x .5
30	750-3164	Spacer, .635 x 2.0	89	741-0475	Plastic Bushing
31	736-0290	Flat Washer, 5/8 x 1.0 x .063	90	747-0697	Eye Bolt
32	712-3004A	Flange Lock Nut, 5/16-18	91	747-0931	Chute Crank Rod, .38 x 28
33	712-3010	Hex Nut, 5/16-18	92	747-0932	Rod, .375 x 11.375
34	710-3151	Hex Cap Screw, 5/8-18 x 4.25	93	750-1054	Support Chute Tube
35	736-0329	Lock Washer, 1/4	94	784-5149	Joint Block Assembly
36	714-0145	Click Pin, .092 x 1.64	95	684-0061	Chute Crank Assembly
37	712-3006	Hex Nut, 1/4-20	96	703-2735A	Chute Crank Bracket
38	747-3250	Belt Guard Rod	97	705-5226	Chute Reinforcer
39	711-0242	Spacer	98	710-0276	Splined Carriage Screw, 5/16-18 x 1.0
40	712-0241	Hex Nut, 3/8-24	99	710-0167	Carriage Screw, 1/4-20 x .5
41	712-0116	Nylon Jam Lock Nut, 3/8-24	100	731-1379A	Adapter Chute
42	712-3017	Hex Nut, 3/8-16	101	784-5647	Chute Crank Bracket
43	747-0871	Belt Keeper Rod	102	710-3144	Hex Cap Screw, 3/8-16 x 2.0
44	754-0449	Upper V-belt	103	725-0157	Cable Tie
45	756-0627	Idler Pulley, 3.5" Diameter	104	683-0133	Pulley Mounting Bracket Assembly
46	741-0524	Sealed Ball Bearing, .625 x 1.574 x .470	105	783-0358A	Idler Bracket
47	603-0302	Chute Tilt Bracket Assembly	106	783-0362A	Mounting Strap Hanger Bracket
48	710-0262	Carriage Bolt, 5/16-18 x 1.5	107	783-0372	RH Side Plate
49	710-0451	Carriage Bolt, 5/16-18 x .75	108	783-0373	LH Side Plate
50	710-0896	Hex Index Washer Screw, 1/4-14 x .625	109	710-3168	Carriage Bolt, 3/8-16 x 1.0
51	710-3015	Hex Cap Screw, 1/4-20 x .75	110	710-0650	Self-tapping Screw, 5/16-18 x .875
52	712-0429	Nylon Hex Lock Nut, 5/16-18	111	783-1274	Heat Shield
53	710-0376	Hex Cap Screw, 5/16-18 x 1.0	112	736-0101	Flat Washer, .406 x 1.0 x .030
54	712-3027	Hex Flange Lock Nut, 1/4-20	113	747-0533	Clutch Adjustment Control Rod
55	720-0232	Knob	114	732-0626	Extension Spring, .75 x 5.06
56	731-0851A	Chute Flange Keeper	115	714-0101	Internal Cotter Pin
57	731-1300A	Lower Chute	116	736-3019	Flat Washer, .531 x 1.062 x .134
58	731-1313C	Chute Tilt Cable Guide	117	783-0359	Idler Engagement Bracket
59	731-1320	Upper Chute	118	711-0198	Ferrule, 3/8-24 x .375

Model 627



Model 627

REF. NO.	PART NO.	DESCRIPTION	REF. NO.	PART NO.	DESCRIPTION
1	05931	Bearing Housing, 1.85 ID	36	711-0469	Spacer, .75 x .125 x .5
2	618-0407	Auger Gear Case (Incl. Ref. 39-58)	37	784-5618	Hex Bearing Housing, 1.0
3	747-1257	Belt Keeper Rod	38	784-0402	Skid Plate
4	684-0065	Impeller Assembly, 12"	39	618-0123	RH Reducer Housing (Incl. Ref. 57, 58)
5	684-0148	Housing Assembly	40	618-0124	LH Reducer Housing (Incl. Ref. 57, 58)
6	703-2734	Housing Brace Bracket	41	703-2733	Housing Brace Plate
7	703-2735A	Chute Crank Bracket	42	710-0642	Self Tapping Screw, 1/4-20 x .75
8	703-2736	Belt Cover	43	711-1395	Spiral Axle, 41.5"
9	705-5226	Chute Reinforcer	44	714-0161	Hi-Pro Key, 3/16 x 5/8
10	705-5269	LH Spiral Auger, 40"	45	715-0143	Spring Spirol Pin, .25 x 1.25
11	705-5270	RH Spiral Auger, 40"	46	717-0528	Worm Gear, 20-tooth
12	710-0157	Hex Cap Screw, 5/16-24 x .75	47	717-3320	Worm Shaft
13	710-0167	Carriage Screw, 1/4-20 x .5	48	718-0513	Thrust Collar
14	710-0260A	Carriage Bolt, 5/16-18 x .62	49	721-0325	Grease Plug
15	710-0276	Splined Carriage Screw, 5/16-18 x 1.0	50	721-0327	Grease Seal
16	710-0451	Carriage Bolt, 5/16-18 x .75	51	736-0351	Flat Washer, .76 x 1.5 x .030
17	710-0604A	Self Tapping Screw, 5/16-18 x .625	52	736-0369	Flat Washer, .508 x 1.0 x .020
18	710-0890A	Shear Bolt, 5/16-18 x 1.5	53	736-0617	Thrust Washer, .75 x 1.25 x .0615
19	712-0429	Hex Lock Nut, 5/16-18	54	741-0150	Thrust Bearing, .75 x 1.25 x .078
20	712-3010	Hex Nut, 5/16-18	55	741-0700	Flange Bearing, .75 x 1.0 x .59
21	712-3027	Hex Flange Lock Nut, 1/4-20	56	748-0108	Flange Bearing, .503 x .75
22	712-3057	Hex Nut, 5/16-24	57	741-0661	Flange Bearing, .754 x 1.0 x .925
23	715-0114	Spirol Pin, 1/4 x 1-1/2	58	721-0179	Grease Seal
24	715-0129	Spirol Pin, .125 x .812	59	754-0330	Lower V-belt
25	731-1379	Adapter Chute	60	756-1181	Drive Pulley, 7"
26	712-3004A	Flange Lock Nut, 5/16-18	61	783-1014	Drive Mounting Bracket
27	736-0188	Flat Washer, .76 x 1.49 x .06	62	710-0216	Hex Cap Screw, 3/8-16 x .75
28	736-0231	Flat Washer, .344 x 1.125 x .12	63	717-1714	Right Angle Drive
29	736-0242	Bell Washer, .340 x .872	64	710-0514	Hex Cap Screw, 3/8-16 x 1.0
30	741-0245	Hex Flange Bearing, .75 ID	65	718-0691	Coupling
31	741-0309	Flange Ball Bearing, .75 x 1.85	66	710-3251	Socket Head Cap Screw, 5/16-18 x 1.75
32	741-0475	Plastic Bushing, .38	67	712-0431	Flange Lock Nut, 3/8-16
33	741-0493A	Flange Bushing, .80 x .91	68	714-0122	Square Key, 3/16 x .75
34	784-0396	Skid Plate Bracket, 42"	69	714-0126	Hi-pro Key, 3/16 x .75
35	784-5038B	Slide Shoe	70	783-1264	Bearing Housing, 1.85 ID

IMPORTANT: For a proper working machine, use Factory Approved Parts.

V-belts are especially designed to engage and disengage safely. A substitute (non-OEM) V-belt can be dangerous by not disengaging completely.