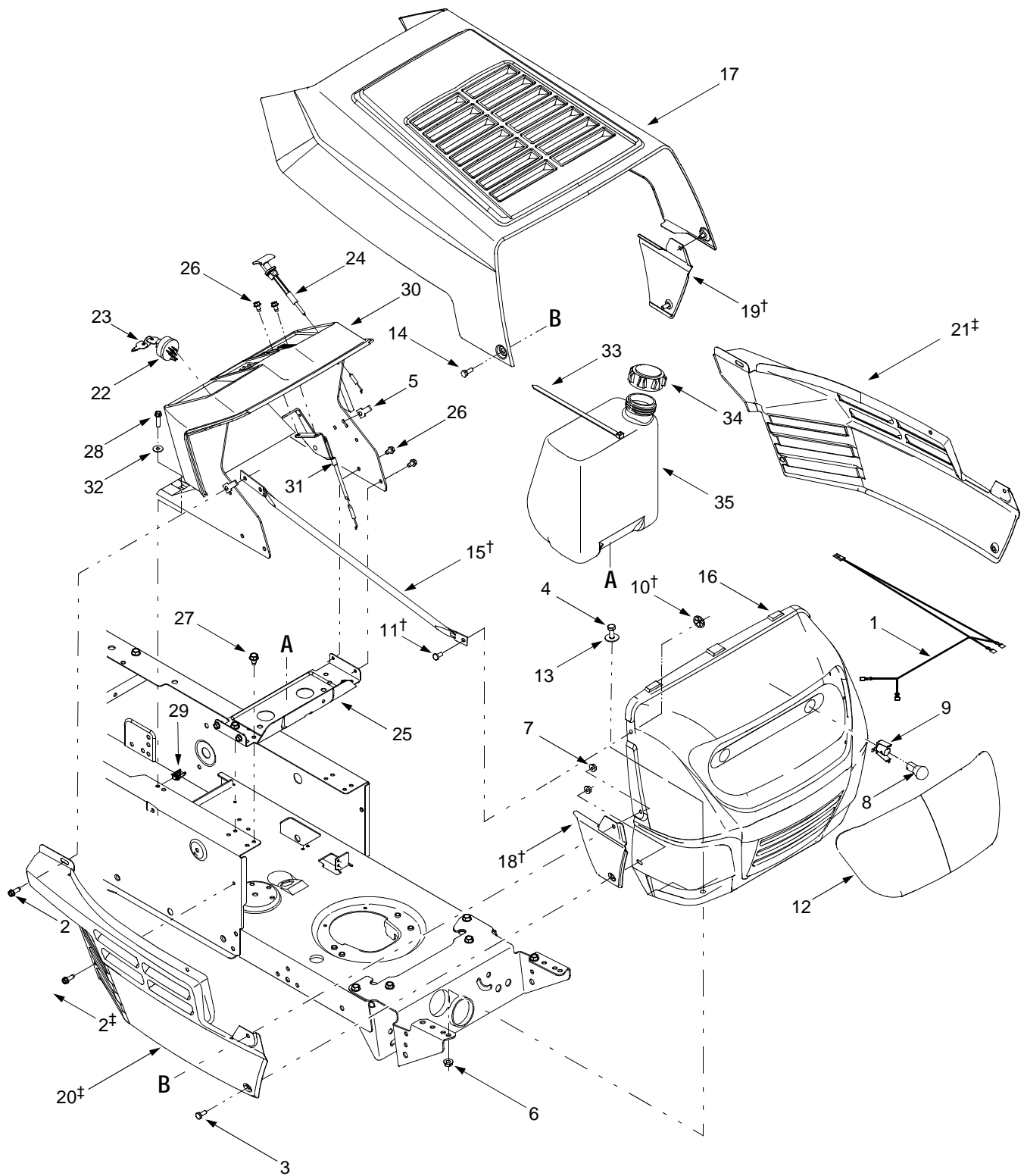


Models 662, 663, 682 & 683



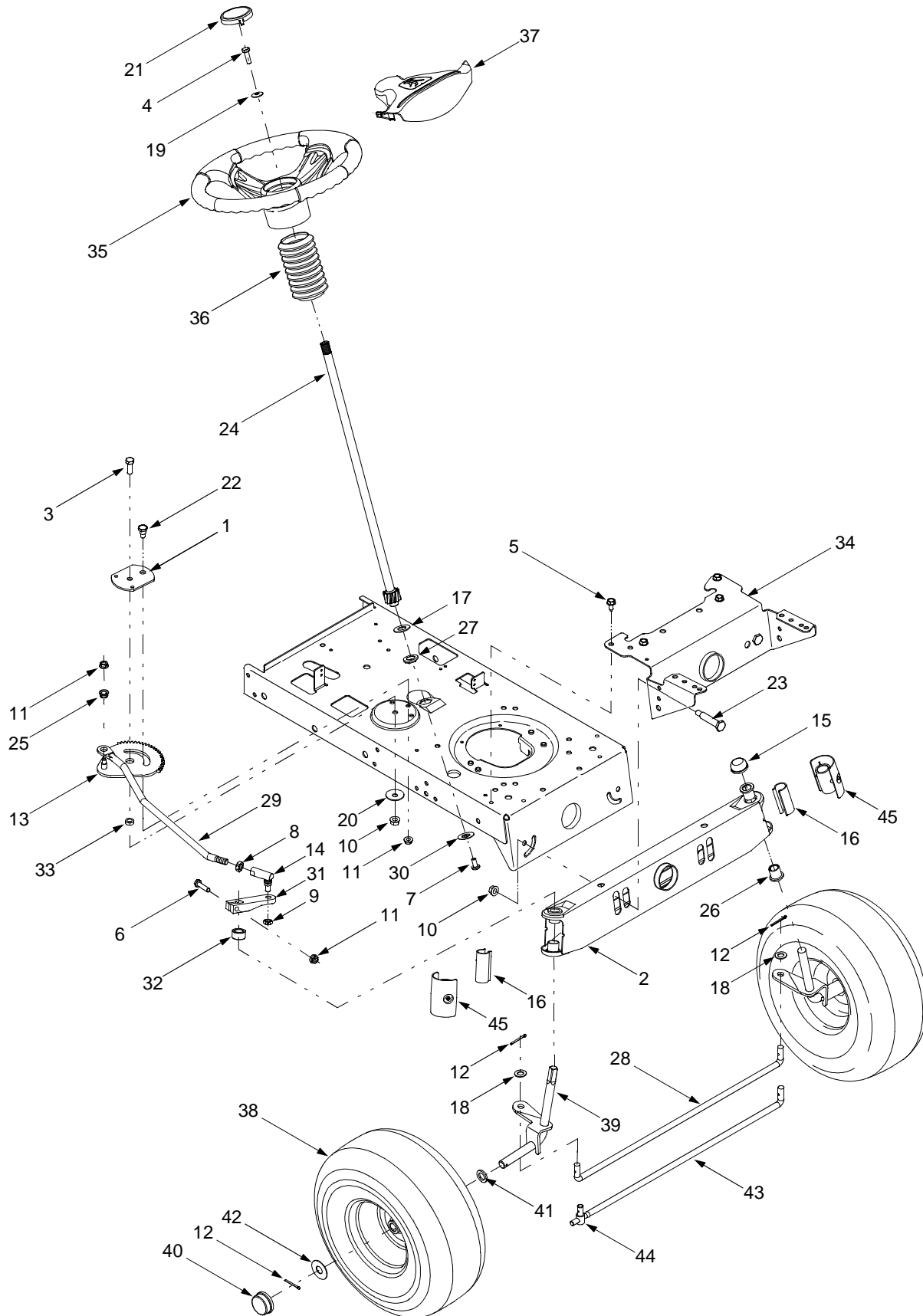
† Found on Models 662 & 682 Only
 ‡ Found on Models 663 & 683 Only

Models 662, 663, 682 & 683

REF. NO.	PART NO.	DESCRIPTION
1	629-0469B	Headlamp Harness Assembly
2	710-0642	Self-tapping Screw, 1/4-20 x .75
3	710-0751	Hex Screw, 1/4-20 x .620
4	710-3008	Hex Screw, 5/16-18 x .75
5	712-0185	U-type Speed Nut, 1/4-20
6	712-3004A	Flange Lock Nut, 5/16-18
7	712-3027	Flange Lock Nut, 1/4-20
8	725-0963	Headlamp, 12V
9	725-1651	Headlamp Socket
10	726-04012	Push-on Nut, .25
11	728-0162	Flat-head Rivet, 1/4
12	731-1503A	Lens
13	736-3078	Flat Washer, .344 x 1.0 x .063
14	738-0952A	Shoulder Screw, 1/4-20 x .375 / .125
15	749-0722C	Grille Support Rod
16	783-0156B	Grille
17	783-0250A	Hood w/ Louvers
18	783-0366	RH Side Panel (Insert)
19	783-0367	LH Side Panel (Insert)
20	783-0150B	RH Side Panel
21	783-0367	LH Side Panel
22	725-1396	Ignition Switch, 6-pin
23	725-0201	Keys (pair)
24	746-0614A	Choke Control, 38"
	746-0616A	Choke Control, 23"
25	17632C	Battery Support Bracket
26	710-0599	Self-tapping Screw, 1/4-20 x .5
27	710-0607	Self-tapping Screw, 5/16-18 x .5
28	710-0788	Self-tapping Screw, 1/4-20 x 1.0
29	726-3054	U-type Speed Nut, 1/4-20
30	731-04179	Dash Panel (models w/o choke knob)
	731-04082	Dash Panel (models w/ choke knob)
31	746-04020	Throttle / Choke Control, 18.5"
	746-04023A	Throttle Control, 35.5"
	746-04030	Throttle Control, 18.5"
32	736-3090	Flat Washer, .260 x .720 x .060
33	726-0209	Cable Tie, 30.66
34	751-0555B	Fuel Tank, 1.5 gal.
35	751-0603	Fuel Tank Cap

NOTE: Tractor features vary by model. NOT all parts listed above and pictured on the previous page are standard equipment.

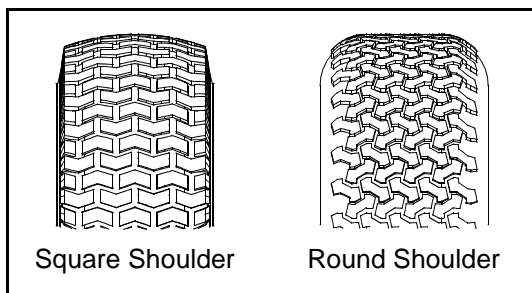
Models 660 thru 688



Models 660 thru 688

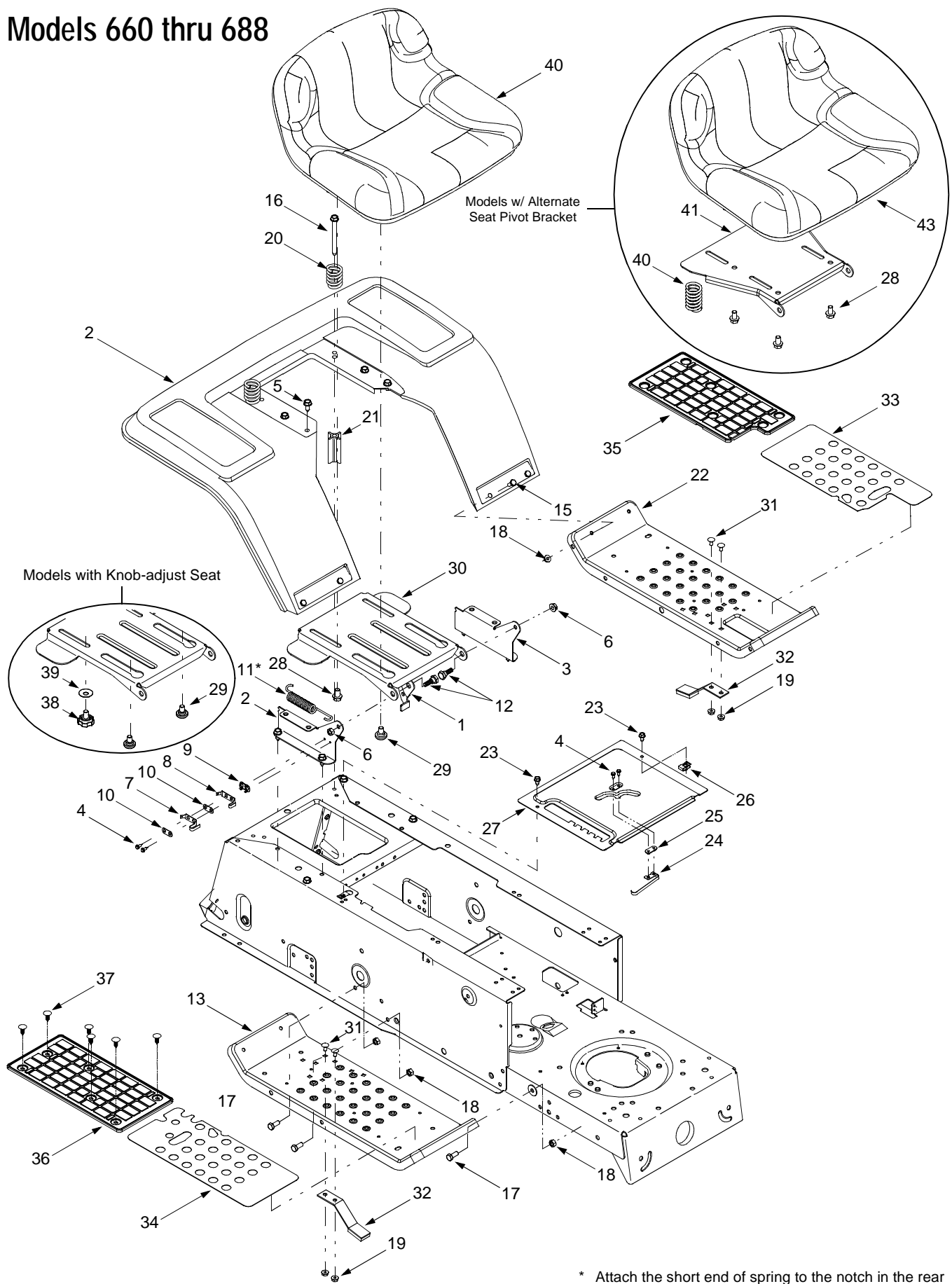
REF. NO.	PART NO.	DESCRIPTION	REF. NO.	PART NO.	DESCRIPTION
1	17198A	Retainer Gear Segment Plate	25	741-0475	Plastic Bushing, .38 ID
2	683-0002A	Pivot Bar, .625	26	741-0487A	Flange Buching, .632 ID
3	710-0514	Hex Cap Screw, 3/8-16 x 1.0	27	741-0656	Hex Flange Bearing, 5/8
4	710-0643	Hex Cap Screw, 5/16-18 x 1.0	28	747-04008	Tie Rod, Non-adjustable
5	710-0726	Self-tapping Screw, 5/16-12 x .75	29	747-1268A	Steering Drag Link, 7/16-20
6	710-0805	Hex Cap Screw, 5/16-18 x 1.5	30	748-0389	Cap, 1.25 x .16
7	710-1309	Machine Screw, 5/16-18 x .75	31	748-04014A	Steering Arm
8	712-0240	Jam Nut, 7/16-20 (Grade 2)	32	748-04020	Spacer, 1.0 x .645 x .56
9	712-0262	Jam Nut, 3/8-24	33	750-0535	Spacer, .380 x .625 x .21
10	712-0431	Flange Lock Nut, 3/8-16	34	783-0041A	Pivot Bar Bracket
11	712-3004A	Flange Lock Nut, 5/16-18	35	631-04028	Steering Wheel, Three Spoke
12	714-0470	Cotter Pin, 1/8 x 1.25	36	731-0954	Steering Bellow, 4.75"
13	717-1757	Steering Segment Gear	37	731-04064	Steering Wheel Cap, Large
14	723-0448A	Ball Joint, 7/16 -20		731-04065	Steering Wheel Cap w/ Sprig, Large
15	726-0214	Push Cap, .625	38	634-0056A	Round Shoulder Wheel Ass'y Complete
16	731-04057A	Axle End Cap, Standard		634-0115	Square Shoulder Wheel Ass'y Complete
17	736-0187	Flat Washer, .64 x 1.24 x .060	39	683-04016	RH Axle Assembly
18	736-0226	Flat Washer, .474 x .879 x .064		683-04015	LH Axle Assembly
19	736-0242	Bell Washer, .34 x .872 x .060	40	731-0484A	Hub Cap
20	736-0356	Bell Washer, .391 x .380 x .062	41	736-0162	Flat Washer, .64 x 1.0 x .12
21	731-04039	Steering Wheel Cap, Small	42	736-0285	Flat Washer, .635 x 1.589 x .06
	731-04040	Steering Wheel Cap w/ Sprig, Small	43	747-04057	Tie Rod, Adjustable
22	738-0141	Shoulder Screw, .435 x .350, 5/16-18	44	711-04059	Ferrule, 3/8-24 x .437 Dia
23	738-0527	Shoulder Screw, .498 x 2.045	45	731-04058	Axle End Cap, w/ Fitting
24	738-0919	Steering Shaft, 21.86			

	Wheel Ass'y Complete	Rim Assembly	Inner Bearing	Outer Bearing	Tire Only	Air Valve
Round Shoulder	634-0056A	634-0172	741-0706 (Flange w/ Fitting)	741-0487A (Plastic Flange)	734-0864 (15 x 6 x 6)	734-0255
Square Shoulder	634-0115	634-0051	741-0569 (Ball Bearing)	741-0569 (Ball Bearing)	734-1731 (15 x 6 x 6)	734-0255



NOTE: Tractor features vary by model. NOT all parts listed above and pictured on the previous page are standard equipment.

Models 660 thru 688



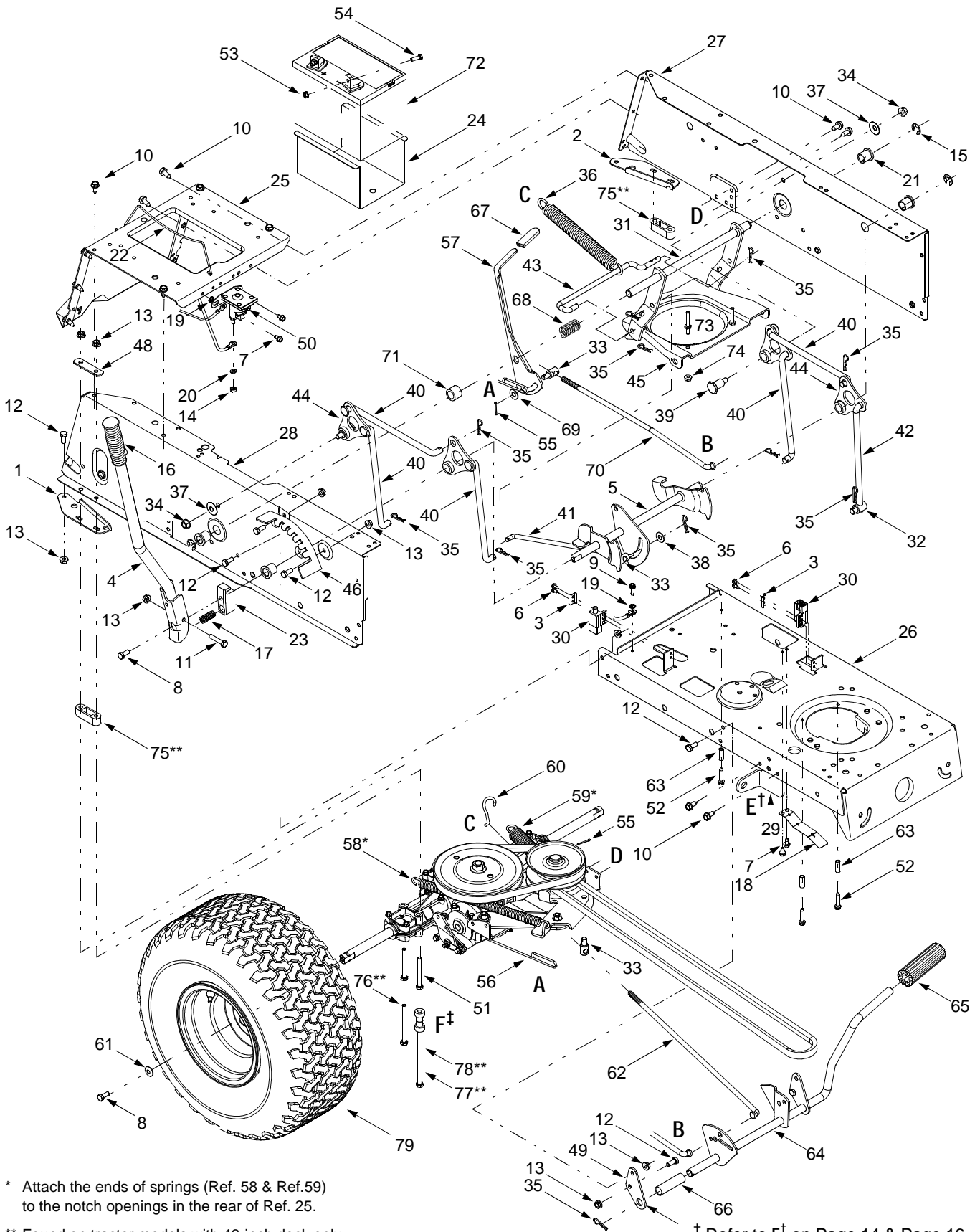
* Attach the short end of spring to the notch in the rear of Ref. No. 2. Attach the long end to Ref. No. 1.

Models 660 thru 688

REF. NO.	PART NO.	DESCRIPTION
1	17239A	Seat Lift Bracket
2	17950A	RH Pivot Support Bracket, Seat
3	17951A	LH Pivot Support Bracket, Seat
4	710-0227	Self-tapping Screw, #8-18 x .50
5	710-0726	Self-tapping Screw, 5/16-12 x .75
6	712-3004A	Flange Lock Nut, 5/16-18
7	725-1303	Outer Seat Spring Switch
8	725-1439	Inner Seat Spring Switch
9	726-0278	Insulator Plate Boss
10	726-0279	Insulator Plate
11	732-0581B	Extension Spring, .75 x 5.31
12	738-0296	Shoulder Screw, .437 x .286
13	17770G	Running Board
14	17870B	Fender
15	710-0751	Hex Screw, 1/4-20 x .620
16	710-1208	Self-tapping Screw, 5/16-18 x 3.5
17	710-3008	Hex Screw, 5/16-18 x .75
18	712-0429	Nylon Lock Nut, 5/16-18
19	712-3027	Flange Lock Nut, 1/4-20
20	732-04038	Compression Spring, 1.314 x 1.8
21	748-0347A	Spacer
22	783-04139	LH Running Board
23	710-0599	Self-tapping Screw, 1/4-20 x .5
24	725-1643	Spring Switch, Long
25	726-0320	Insulator Nut Plate
26	726-3054	U-Clip Nut, 1/4-20
27	783-04060	Shift Cover Panel, 6-speed
	783-04050	Shift Cover Panel, 8-speed
28	710-0870	Screw, 3/8-16 x .625
29	738-04012	Shoulder Screw, .625 x .175, 3/8-16
30	783-04081	Seat Pivot Bracket, Manual Adjust
31	710-0167	Carriage Screw, 1/4-20 x .50
32	761-0168B	Blade Spindle Brake Assembly
33	723-04012	LH Abrasive Foot Pad
34	723-0422C	RH Abrasive Foot Pad
35	735-04009	LH Rubber Foot Pad
36	735-0196	RH Rubber Foot Pad
37	726-3046	Ratchet Clip, .250 Dia
38	720-04009	Knob, 3/8-16 X .625
39	736-0219	Bell Washer, .389 x 1.120 x .030
40	732-0735	Compression Spring, 1.314 x 2.55
41	783-0039A	Seat Pivot Bracket
42	757-04001	Low Back Seat, Black
	757-04002	Medium Back Seat, Black
	757-04003	High Back Seat, Black
43	757-0363A	Low Back Seat, Black

NOTE: Tractor features vary by model. NOT all parts listed above and pictured on the previous page are standard equipment.

Models 660 thru 688



* Attach the ends of springs (Ref. 58 & Ref.59) to the notch openings in the rear of Ref. 25.

** Found on tractor models with 46-inch deck only.

† Refer to E[†] on Page 14 & Page 16

‡ Refer to F[‡] on Page 16

Models 660 thru 688

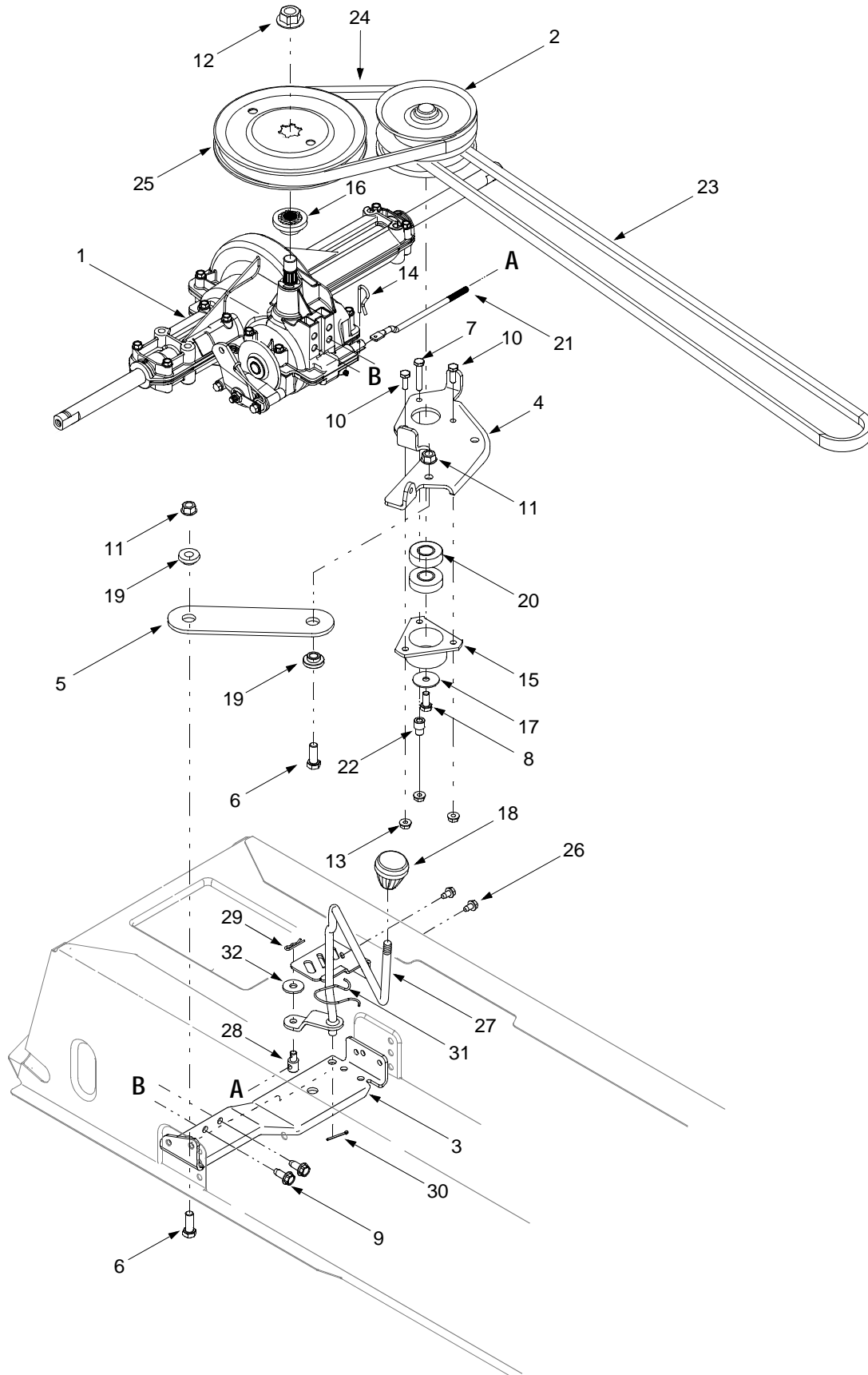
REF. NO.	PART NO.	DESCRIPTION	REF. NO.	PART NO.	DESCRIPTION
1	17668A	RH Axle Support Bracket	42	747-04069	Deck Hanger Link
2	17669A	LH Axle Support Bracket	43	747-04115A	Rear Stabilizer Rod
3	17962	Switch Plate	44	748-04010	Lift Link
4	683-04025	Lift Handle Assembly	45	783-04093	Deck Stabilizer Bracket
5	683-04049	Lift Shaft Assembly	46	783-04113	Deck Lift Index Bracket
6	710-0224	Self-tapping Screw, #10-16 x .5	47	17630A	Shift Lever Retainer
7	710-0599	Self-tapping Screw, 1/4-20 x .5	48	17840	Transaxle Mounting Bracket
8	710-0627	Hex Cap Screw, 5/16-24 x .75	49	17860	Pedal Mounting Bracket
9	710-0642	Self-tapping Screw, 1/4-20 x .75	50	725-1426	Solenoid
10	710-0726	Self-tapping Screw, 5/16-12 x .75	51	710-0176	Hex Cap Screw, 5/16-18 x 2.75
11	710-0805	Hex Cap Screw, 5/16-18 x 1.5	52	710-0809	Self-tapping Screw, 1/4-20 x 1.25
12	710-3008	Hex Screw, 5/16-18 x .75	53	712-0271	Hex Sems Nut, 1/4-20
13	712-3004A	Flange Lock Nut, 5/16-18	54	710-3015	Hex Screw, 1/4-20 x .75
14	712-3006	Hex Nut, 1/4-20	55	714-0111	Cotter Pin, 1.0
15	716-0106	E-Ring, .625 Dia Shaft	56	732-04029	Extension Spring, .59 x 12.38
16	720-0233	Handle Grip	57	783-04059	Speed Select Lever
17	732-0369	Compression Spring, .55 x 1.37	58	732-04075A	Extension Spring, .73 x 12.54
18	732-0750A	Switch Actuator Spring	59	732-04076	Extension Spring, 1.15 x 7.90
19	736-0222	External Lock Washer, 1/4	60	732-0722A	Brake Return Spring
20	736-0329	Lock Washer, 1/4	61	736-0242	Bell Washer, .34 x .872 x .060
21	741-0487A	Flange Bearing, .632 ID	62	747-04043	Variable Speed Control Rod
22	747-04031	Battery Hold-down Rod	63	750-0566A	Spacer, .260 x .372 x 1.030
23	748-04011	Lift Shaft Connector	64	683-04005A	Clutch / Brake Pedal Assembly
24	783-0345	Battery Tray	65	735-0196	Foot Pad, 4.6
25	783-0355C	Hitch Plate	66	750-0802	Spacer, .640 x .76 x 2.63
26	783-04011	Lower Frame	67	720-04008	Shift Handle Grip
27	783-04031	LH Upper Frame Side Panel	68	732-04017	Compression Spring, .89 x 1.75
28	783-04032	RH Upper Frame Side Panel	69	736-0300	Flat Washer, .406 x .875 x .059
29	783-04213	Deck Anti-sway Bracket	70	747-04039	Speed Control Rod
30	725-04039	Screw-mount Interlock Switch	71	750-04080	Spacer, .640 x 1.0 x .78
31	683-04048	Stabilizer Shaft Assembly	72	725-1706	Battery, 270 CCA
32	711-04036	Ferrule, 1/2-20 x .50		725-1750	Battery, 235 CCA
33	711-04075	Ferrule, 3/8-24 x .375	73	712-3027	Flange Lock Nut, 1/4-20
34	712-0431	Flange Lock Nut, 3/8-16	74	711-0993	Belt Guard Pin, 1/4-20
35	714-04023	Internal Cotter Pin, .080 x 1.56	75	749-0334	Spacer
36	732-04050A	Extension Spring, 1.07 x 9.52	76	710-1266	Hex Cap Screw, 5/16-18 x 3.25
37	736-0219	Bell Washer, .389 x 1.12 x .030	77	710-0833	Hex Cap Screw, 5/16-18 x 5.25
38	736-0267	Flat Washer, .385 x .87 x .060	78	748-04021A	Shoulder Spacer
39	738-0445A	Shoulder Bolt, 3/8-16 x .62 x .92	79	734-1675	Round Shoulder Wheel Ass'y Complete
40	747-04018	Deck Hanger Link		634-0104	Square Shoulder Wheel Ass'y Complete
41	747-04040A	Deck Disengagement Rod			

	Wheel Ass'y Complete	Rim Assembly	Tire Only	Air Valve
Round Shoulder*	734-1675	634-0070	734-1596 (20 x 8 x 8)	734-0255
Square Shoulder*	634-0104	634-0070	734-1730 (20 x 8 x 8)	734-0255

* See illustration on Page 5

NOTE: Tractor features vary by model. NOT all parts listed above and pictured on the previous page are standard equipment.

Models 660 thru 688

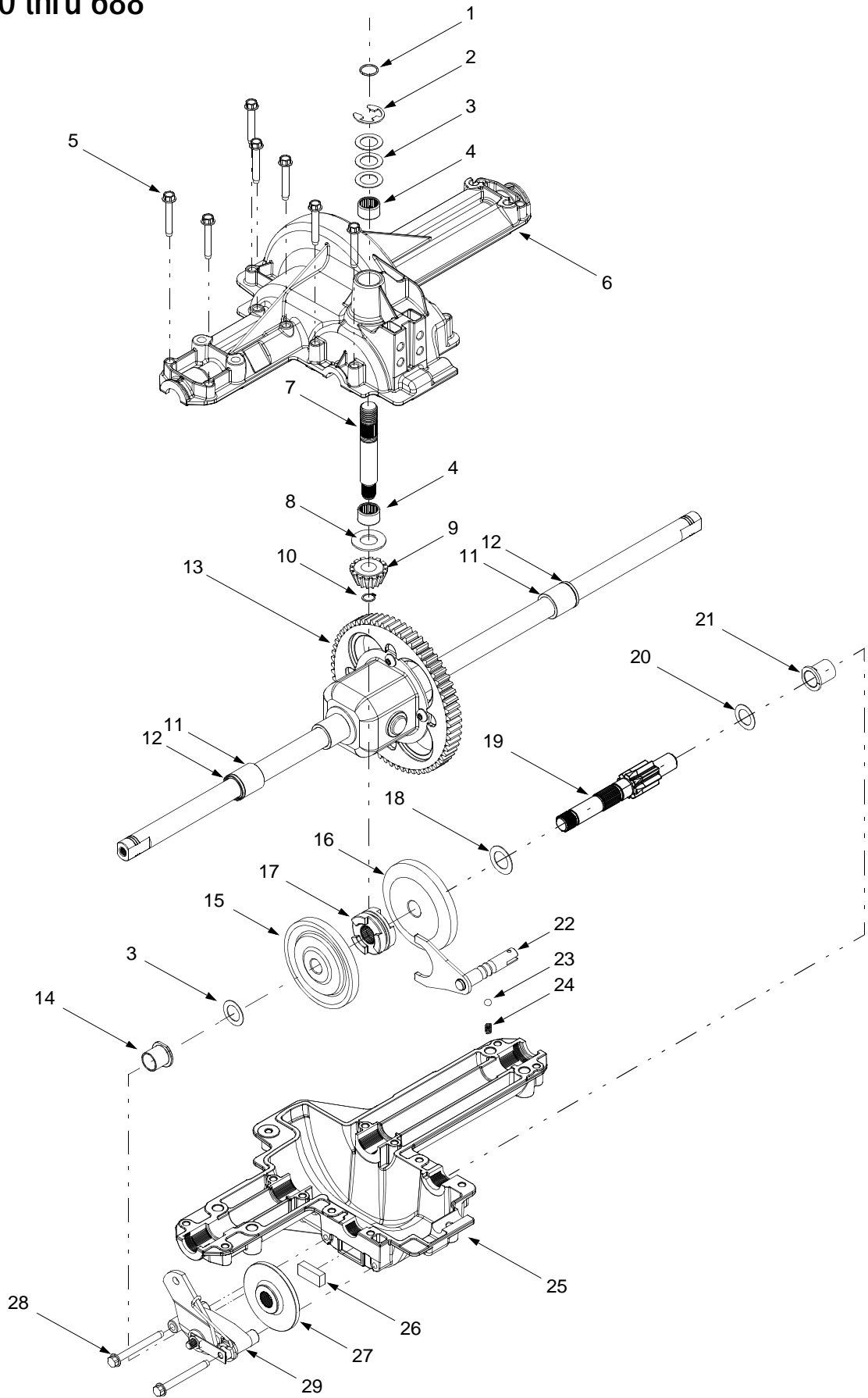


Models 660 thru 688

REF. NO.	PART NO.	DESCRIPTION
1	618-04034	Transmission, Single-speed
2	656-0059A	Variable-speed Pulley, 4.75
3	683-04055	Torque Bracket
4	683-04056	Variable-speed Bracket
5	683-04057	Variable-speed Bracket
6	710-0514	Hex Cap Screw, 3/8-16 x 1.0
7	710-0606	Hex Cap Screw, 1/4-20 x 1.5
8	710-0627	Hex Cap Screw, 5/16-24 x .75
9	710-1260A	Screw, 5/16-18 x .75
10	710-3015	Hex Screw, 1/4-20 x .75
11	712-0431	Flange Lock Nut, 3/8-16
12	712-0700	Flange Nut, 9/16-18
13	712-3027	Flange Lock Nut, 1/4-20
14	714-0209	Internal Cotter Pin, .125
15	718-04012	Bearing Cup
16	718-0758	Pulley Hub, 5/8 Spline
17	736-0362	Flat Washer, .320 x 1.25 x .06
18	720-0232	Shift Knob, 1.60 OD X 1.56
19	738-0372B	Shoulder Spacer, 1.0 x .38 x .38
20	741-0600	Ball Bearing, 17 x 40 x 12
21	747-04072	Shift Rod
22	750-04099	Stepped Spacer
23	754-04001	Lower Drive Belt
24	754-04002	Upper Drive Belt
25	756-04002	Transmission Pulley, 7.25
26	710-0599	Self-tapping Screw, 1/4-20 x .5
27	647-04009A	Shift Lever Assembly
28	711-0736	Ferrule, 1/4-20 x 1.0
29	714-0104	Cotter Pin, 1.13
30	714-0111	Cotter Pin, 1.0
31	732-04067	Spring Compression Clip
32	736-3089	Flat Washer, 5/16 x .934 x .100

NOTE: Tractor features vary by model. NOT all parts listed above and pictured on the previous page are standard equipment.

Models 660 thru 688



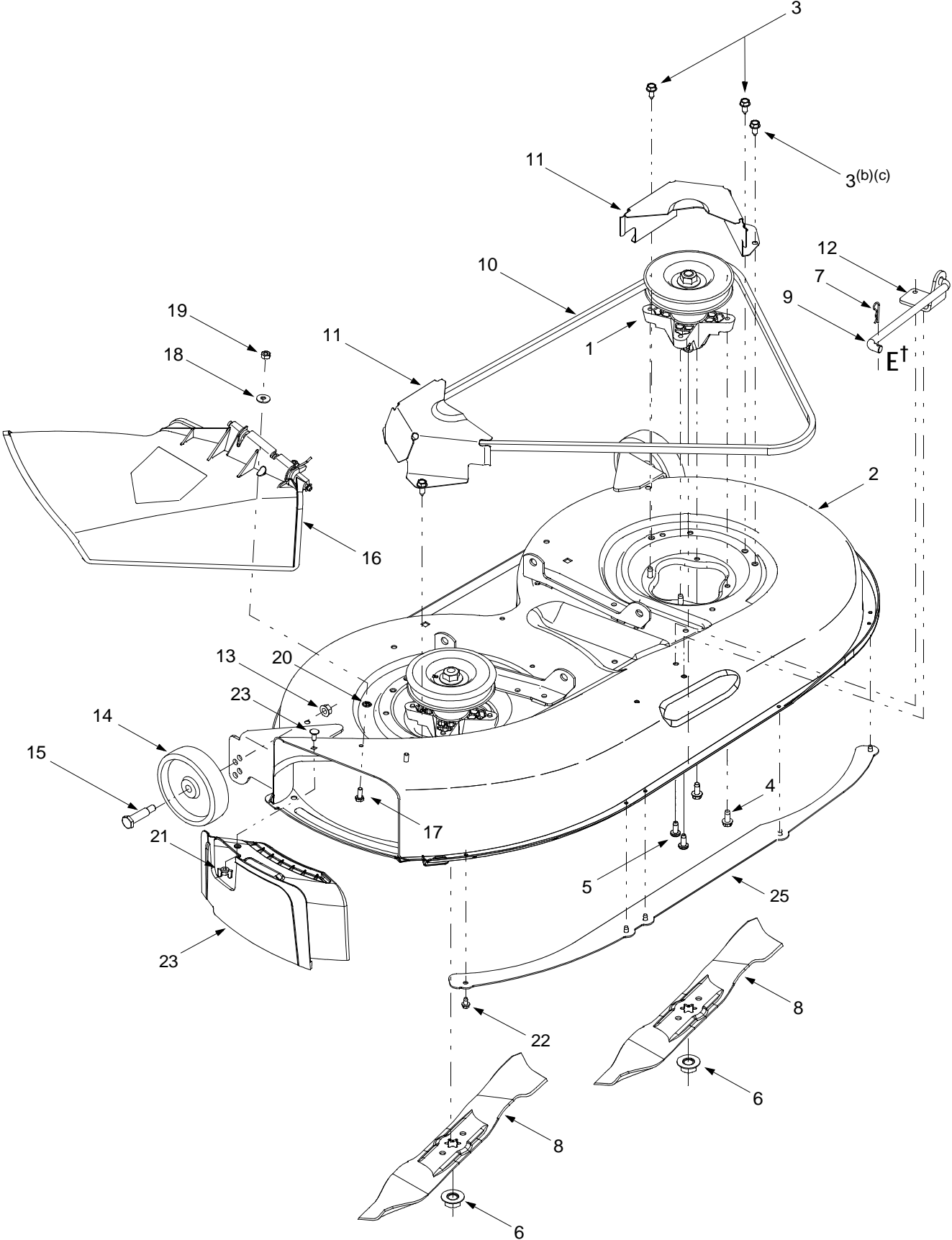
Models 660 thru 688

REF. NO.	PART NO.	DESCRIPTION
1	732-0614	Ring, Wire
2	716-0231	Ring, E Type, .750
3	736-0336	Flat Washer, 5/8 x 1.0 x .030*
	736-0337	Flat Washer, 5/8 x 1.0 x .040*
	736-0349	Flat Washer, 5/8 x 1.0 x .020*
4	736-0335	Washer, Thrust .635 x 1.26 x .06
5	710-1325	Self-tapping Screw, 1/4-20 x 1.625
6	719-04017	Upper Housing
7	711-1109	Input Shaft
8	741-0335	Needle Bearing, .625 x .813 x .495
9	717-1464	14-tooth Bevel Pinion
10	716-0108	Retaining Ring, .437
11	741-0340	Sleeve Bearing, .75 x 1.0 x 1.0
12	721-0338	Seal, .75 x 1.0 x .125
13	618-04041	Differential Assembly
14	741-0336	Flange Bearing, 5/8 x 3/4 x 3/4
15	717-1362	42-tooth Bevel Gear
16	717-1363	42-tooth Bevel Gear
17	718-0228	Clutch Collar
18	736-0519	Flat Washer, .70 x 1.125 x .031
19	711-04053	Drive Shaft
20	736-0495	Thrust Washer, 1.0 x .632 x .0
21	741-0337	Flange Bearing, 5/8 x 3/4 x 15/16
22	611-0011	Detent Shaft Assembly
23	741-0862	Detent Ball
24	732-0863	Compression Spring
25	719-04018	Lower Housing
26	717-0678	Brake Puck
27	761-0202	Brake Disc
28	710-1206	Self-tapping Screw, 1/4-20 x 2.375
29	661-0001	Brake Assembly
—	737-0148	Grease (19 oz.)

*Use applicable flat washer (12a, 12b or 12c) in this application allowing .0150/.0020 in. end-play

NOTE: If rebuilding the upper housing, include two ounces (2 oz.) of Unirex[®] N3 grease (Part No. 737-0289) in the input shaft cavity.

Models 660 thru 688



† Refer to E† on Page 12

Models 660 thru 688 (38 & 42 inch decks)

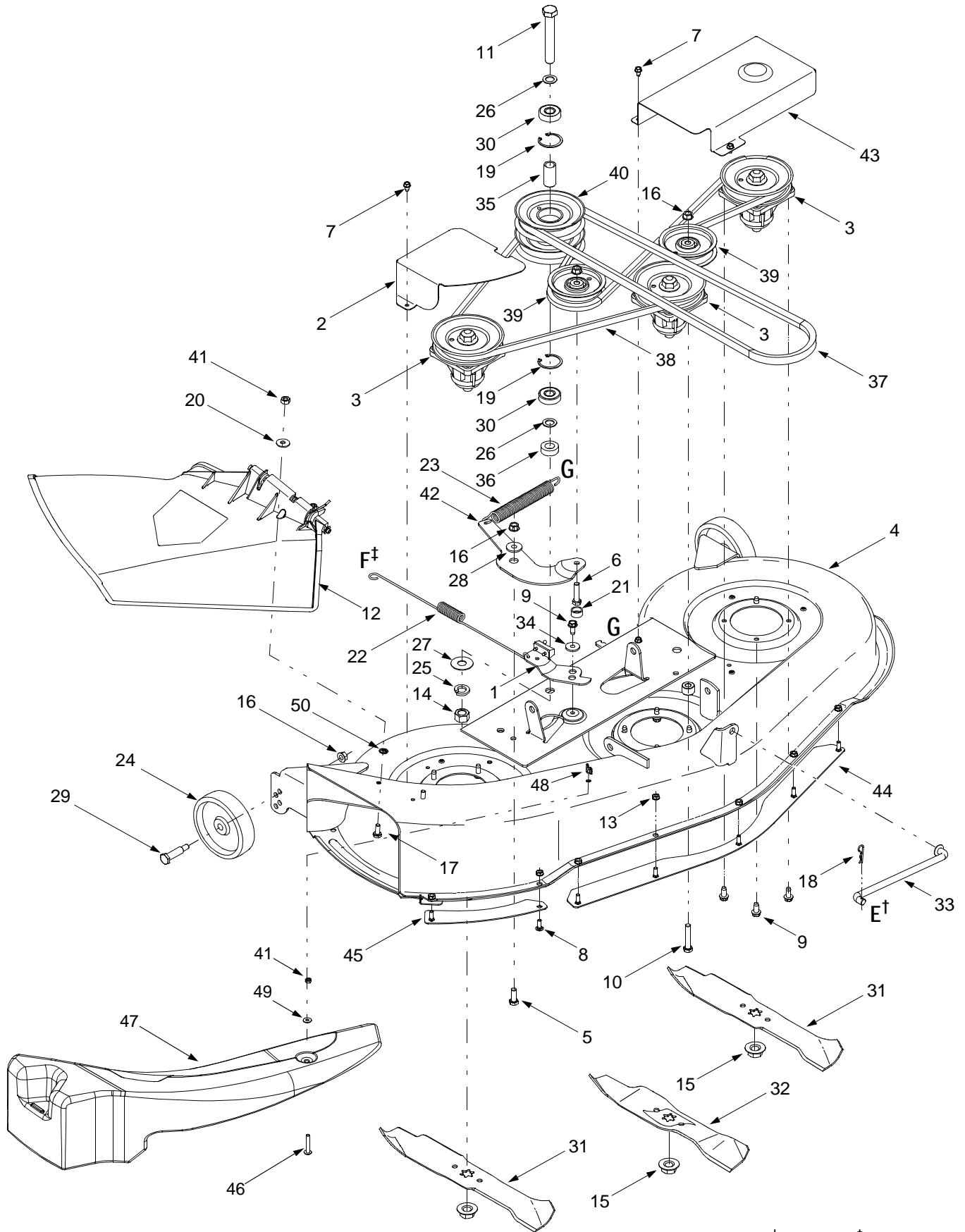
REF. NO.	PART NO.	DESCRIPTION
1	618-0138A	Spindle Assembly (a)
	618-0142A	Spindle Assembly (b) (c)
2	683-04003A	Deck Shell (a)
	683-04004A	Deck Shell (b)
	683-04035A	Deck Shell (c)
3	710-0726	Self-tapping Screw, 5/16-12 x .75
4	710-1260A	Screw, 5/16-18 x .75
5	710-1611B	Self-tapping Screw, 5/16-18 x .75
6	712-0417A	Hex Flange Nut, 5/8-18
7	714-04023	Internal Cotter Pin, .080 x 1.56
8	742-0610A	Blade, 19.38" (a)
	742-0611B	Blade, 21.23" (b) (c)
9	747-04018	Deck Hanger Link/Anti-sway Rod
10	754-0329A	Deck Belt (a)
	754-0371A	Deck Belt (b) (c)
11	783-04148	Belt Cover (a)
	783-04149A	Belt Cover (b) (c)
12	783-04211	Anti-sway Stabilizer Bracket
13	712-0431	Flange Lock Nut, 3/8-16 (c)
14	734-0973	Deck Wheel, 5 x 1.38 (c)
15	738-0373	Shoulder Screw, .498 x 1.53 (c)
16	731-1032	Discharge Chute Assembly
17	710-0751	Hex Cap Screw: 1/4-20 x .620
18	736-0270	Bell Washer, .265 x .75 x .062
19	712-3006	Hex Nut, 1/4-20
20	726-0233	Push Nut, 1/4
21	712-3087	Wing Nut, 1/4-20
22	710-0599	Self-tapping Screw, 1/4-20 x .5
23	710-0134	Carriage Screw, , 1/4-20 x .62
24	731-2363	Mulch Plug
25	783-1146A	Deck Skirt (b) (c)

- (a) Tractor models with 38-inch Deck Only
- (b) Tractor models with 42-inch Deck Only
- (c) Tractor models with 42-inch Deck w/ Deck Wheels Only

IMPORTANT: For a proper working machine, use Factory Approved Parts. **V-belts** are designed to engage and disengage safely. A substitute (non OEM) V-belt can be dangerous by not disengaging completely.

NOTE: Tractor features vary by model. *NOT* all parts listed above and pictured on the previous page are standard equipment.

Models 660 thru 688



† Refer to E† on Page 12
 ‡ Refer to F‡ on Page 12

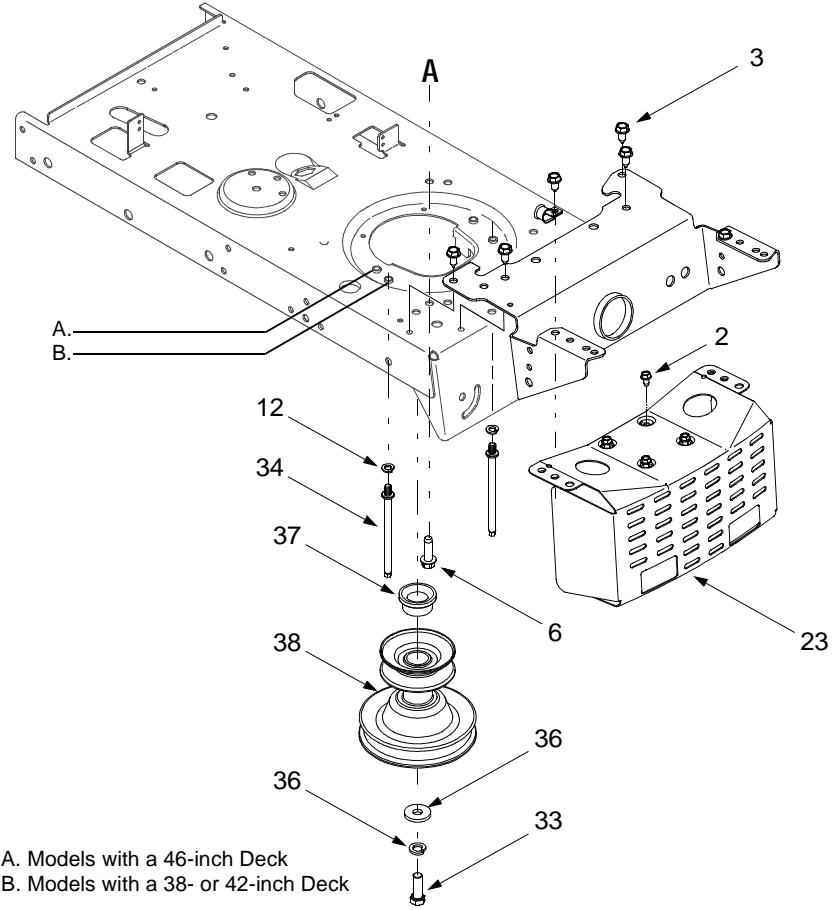
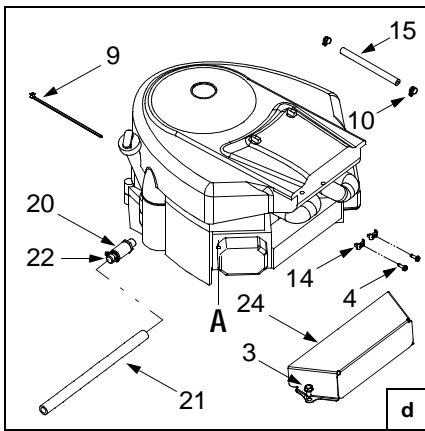
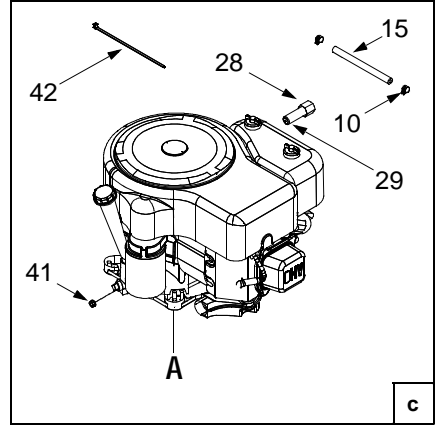
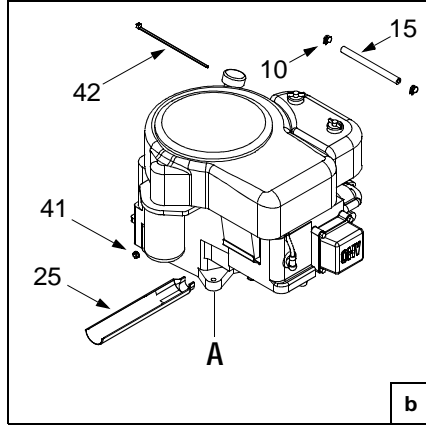
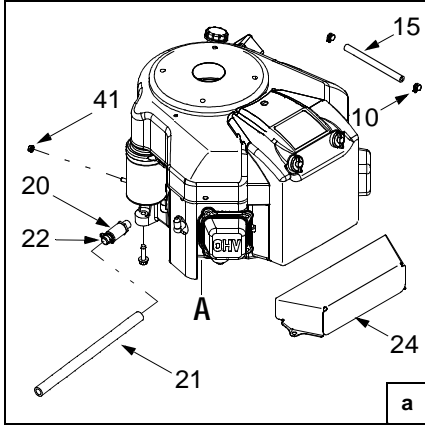
Models 660 – 688 (46 inch deck)

REF. NO.	PART NO.	DESCRIPTION	REF. NO.	PART NO.	DESCRIPTION
1	17116	Deck Brake Assembly	26	736-0290	Flat Washer, 5/8
2	17258C	RH Belt Cover	27	736-3088	Flat Washer, 1.585 x .635 x .062
3	618-0240A	Spindle Assembly, 5.0 Dia.	28	738-0347	Shoulder Spacer, .625 x 1.16
	756-1187	Pulley Only	29	738-0373	Shoulder Screw, .498 x 1.53
4	683-04017	46-inch Deck Shell	30	741-0524	Bearing, .625 x 1.574 x .470
5	710-0514	Hex Cap Screw, 3/8-16 x 1.0	31	742-0611	Three-in-one Blade, Star Center, 16.28"
6	710-0520	Hex Cap Screw, 1/4-20 x 1.5	32	742-0612	Three-in-one Blade, Star Center, 14.88"
7	710-0599	Self-tapping Screw, 1/4-20 x .5	33	747-04018	Deck Hanger Link/Anti-sway Rod
8	710-0703	Hex Cap Screw, 1/4-20 x .75	34	748-0234	Shoulder Spacer
9	710-1260A	Screw, 5/16-18 x .75	35	750-0932A	Spacer, .635 x .88 x 1.72
10	710-3144	Hex Cap Screw, 3/8-16 x 2.0	36	750-0960A	Spacer, .635 x 1.25 x .445
11	710-3151	Hex Cap Screw, 5/8-18 x .875	37	754-0439	PTO Belt (Upper Deck Belt)
12	731-1032	Discharge Chute Assembly	38	754-0440	Deck Belt (Lower Deck Belt)
13	712-0271	Hex Sems Nut, 1/4-20	39	756-0627B	Idler Pulley, 3.5
14	712-0337	Hex Nut, 5/8-18	40	756-0638	Double Pulley, 5.0
15	712-0417A	Hex Flange Nut, 5/8-18	41	712-3006	Hex Nut, 1/4-20
16	712-0431	Flange Lock Nut, 3/8-16	42	783-0046	Idler Bracket
17	710-0751	Hex Cap Screw:1/4-20 x .620	43	783-0063A	LH Belt Cover
18	714-04023	Internal Cotter Pin, .080 x 1.56	44	783-0141	Deck Skirt, Center
19	716-3020	Internal Retaining Ring	45	783-0142	Deck Skirt, Right-hand
20	736-0270	Bell Washer, .265 x .75 x .062	46	710-0578	Screw, 1/4-20 x 1.5
21	731-1490	Slide Cap	47	731-1636	Mulch Plug
22	732-04047	Extension Spring, .788 x 15.5	48	712-3087	Wing Nut, 1/4-20
23	732-0594A	Extension Spring, .91 x 7.33	49	736-0173	Flat Washer, 28 X .74 X .063
24	734-0973	Deck Wheel, 5 x 1.38	50	726-0233	Push Nut, 1/4
25	736-0158	Lock Washer, 5/8			

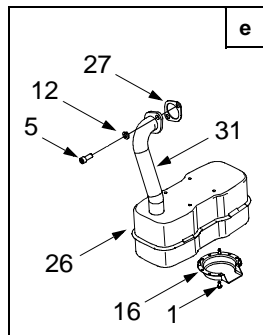
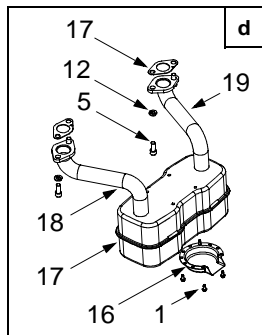
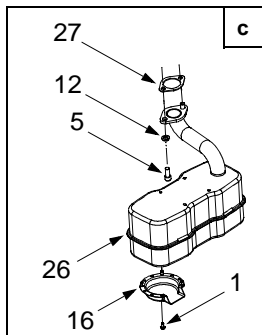
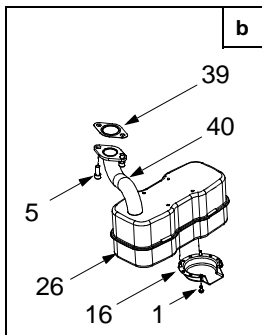
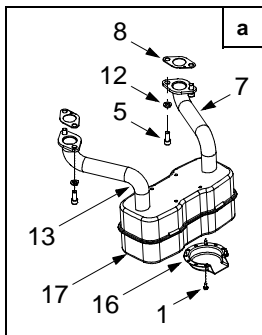
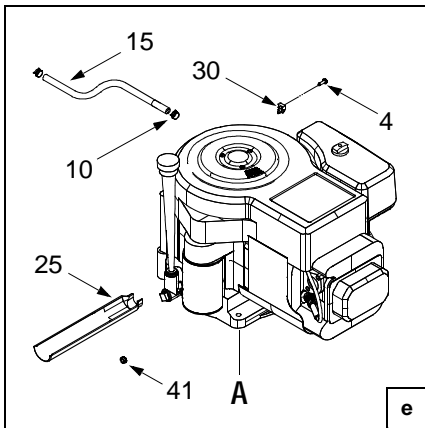
IMPORTANT: For a proper working machine, use Factory Approved Parts. **V-belts** are designed to engage and disengage safely. A substitute (non OEM) V-belt can be dangerous by not disengaging completely.

NOTE: Tractor features vary by model. *NOT* all parts listed above and pictured on the previous page are standard equipment.

Models 660 – 688



A. Models with a 46-inch Deck
 B. Models with a 38- or 42-inch Deck



Models 660 – 688

REF. NO.	PART NO.	DESCRIPTION
1	710-0148	Screw, #8-32 x .375
2	710-0599	Self-tapping Screw, 1/4-20 x .5
3	710-0726	Self-tapping Screw, 5/16-12 x .75
4	710-1237	Screw, #10-32 x .625
5	710-1314A	Socket Cap Screw, 5/16-18 x .625
6	710-1315	Self-tapping Screw, 3/8-16 x 1.25
7	751-0813	LH Exhaust Pipe
8	721-0460	Exhaust Gasket
9	726-0154	Push-mount Cable Tie, 7.5
10	726-0205	Hose Clamp, .490
11	726-0272	Clamp, 9/16
12	736-0119	Lock Washer, 5/16
13	751-0813	RH Exhaust Pipe
14	751B221535	Casing Clamp
15	751-0535	Fuel Line Hose
16	751-0564	Muffler Deflector
17	751-0616	Muffler, Twin Inlet
18	751-0650	RH Exhaust Pipe
19	751-0651	LH Exhaust Pipe
20	751-3140	Oil Drain Valve
21	751-3141	Oil Drain Hose
22	751-3142	Oil Drain Cap
23	783-0615B	Muffler Heat Shield
24	783-0625C	Engine Heat Shield
25	731-1682A	Oil Drain Sleeve
26	751-0617	Muffer, Single Inlet
27	721-0208	Exhaust Gasket
28	737-0143	Oil Drain Cap, 3/8-18
29	737-0199	Oil Drain Pipe, 3/8-16 x 2.0
30	751B213146	Casing Clamp
31	751-0619	Exhaust Pipe
32	710-0227	Screw, #8-18 x .50
33	710-3029	Hex Screw, 7/16-20 x 1.25
34	711-1044	Belt Keeper Pin, 5/16 x 4.75
35	736-0171	Lock Washer, 7/16
36	736-0322	Flat Washer, .450 x 1.25 x .164
37	750-0956	Spacer, 1.0 x 1.4 x .825
38	756-04023	Engine Pulley, 3.12 x 5.56
39	721-0348	Exhaust Gasket
40	751-0620	Exhaust Pipe
41	712-0271	Hex Sems Nut, 1/4-20
42	725-0157	Cable Tie, 7.4"

- (a) Tractor models with *Tecumseh* Twin-cylinder Engine
- (b) Tractor models with *Tecumseh* Single-cylinder Engine (16 HP - 18 HP)
- (c) Tractor models with *Tecumseh* Single-cylinder Engine (12 HP - 15 HP)
- (d) Tractor models with *Briggs and Stratton* OHV Twin-cylinder Engine
- (e) Tractor models with *Briggs and Stratton* OHV Single-cylinder Engine

NOTE: Tractor features vary by model. NOT all parts listed above and pictured on the previous page are standard equipment.

Models 660 - 688

