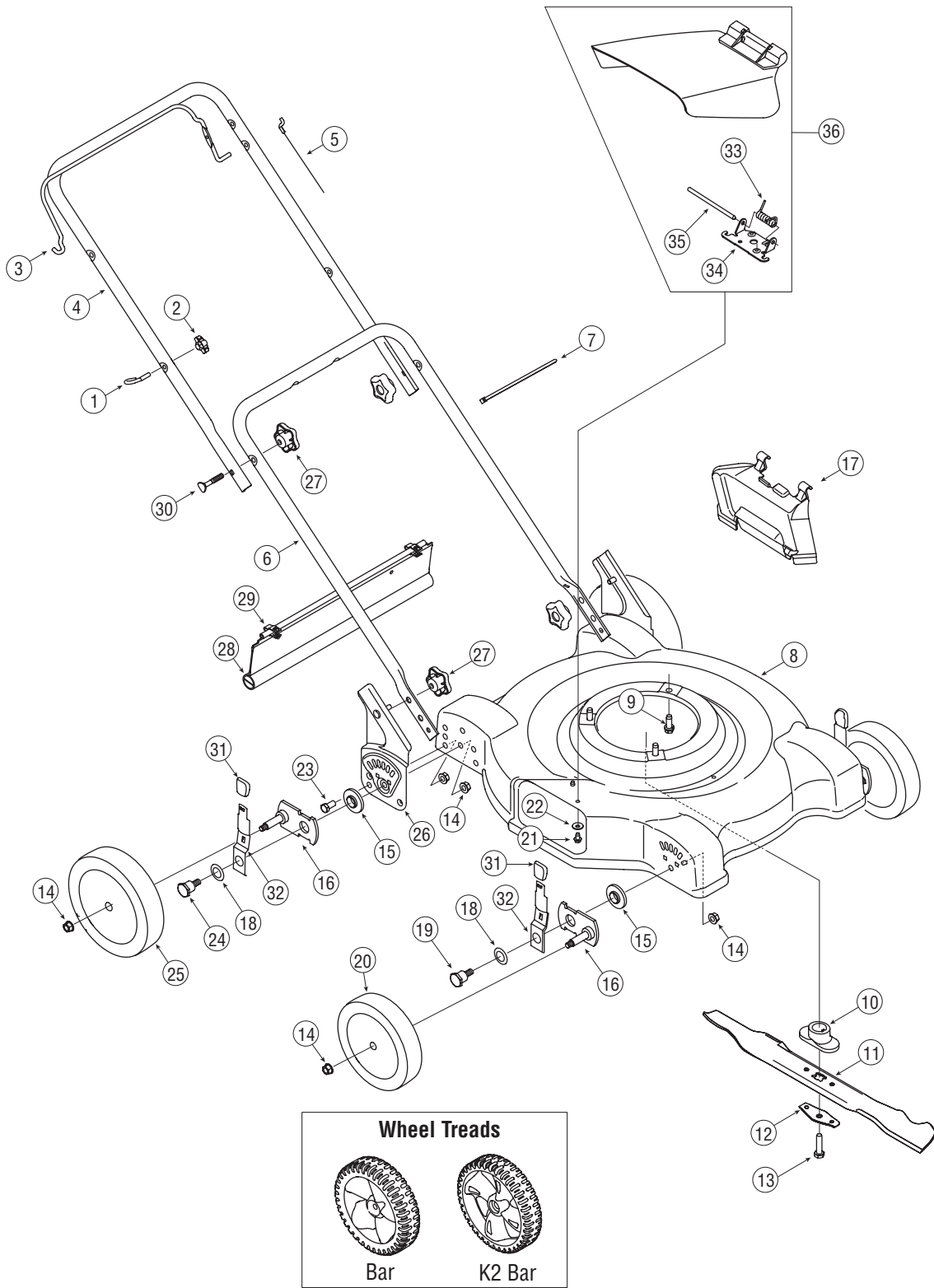


Model Series 080



Ref.	Part No.	Description
1	710-1205	Eye Bolt
2	720-0279	Wing Nut
3	747-1161A	Blade Control Handle
4	749-1092A	Upper Handle
5	746-0957	Control Cable - 37.25"
	746-0946	Control Cable - 48.25"
6	749-04037	Lower Handle
7	725-0157	Cable Tie
8	687-02048	Deck Assembly 22-inch
9	710-0654A	TT Screw 3/8-16 x 1.0
10	748-0376C	Blade Adapter, #6 x 1.19, w/Star
	748-04096	Blade Adapter, 25mm x 1.19
11	742-0642A	Standard Blade 22-inch
	742-0742A†	Mulch Blade 22-inch
12	736-0524B	Blade Bell Support
13	710-1044	Screw 3/8-24 x 1.5
14	712-04065	Lock Nut 3/8-16
15	741-0751	Height Adjuster Bearing
16	687-02094	Pivot Arm
17	631-04045†	Mulch Plug
18	736-0741	Bell Washer .760 ID x 1.25 OD
19	738-1172	Shoulder Screw
20	734-04213	Front Wheel, 7 x 1.8, K2 Bar
	734-1988	Front Wheel, 7 x 1.8, Bar
21	710-0599	TT Screw 1/4-20 x .5
22	736-0270	Bell Washer .265 ID x .75 OD
23	710-0216	Screw 3/8-16 x .75
24	738-1173	Shoulder Screw
25	734-04215	Rear Wheel, 8 x 1.8, K2 Bar
	734-1987	Rear Wheel, 8 x 1.8, Bar
26	682-3064	Handle Bracket Assembly RH
	682-3065	Handle Bracket Assembly LH
27	720-04072	Star Knob
28	731-04019	Trailshield
29	17098	Hinge Clip
30	710-1174	Carriage Bolt 5/16-18 x 2
31	720-0426	Knob
32	732-1026	Lever
33	732-1014	Torsion Spring
34	17032A	Chute Hinge
35	747-0710	Hinge Pin
36	731-1034B	Hinged Chute Deflector Assembly

† If Equipped