

# TECUMSEH

## TECHNICIAN'S HANDBOOK

This manual covers engine models:

ECV100 - 120, H22 - 80, HH40 - 70, HHM80, HM70 - 100,  
HMSK70 - 110, HMXL70, HS40 - 50, HSK30 - 70, HSSK40 - 50,  
HT30 - 35, HXL35, LAV30 - 50, LEV80 - 120, TNT100 - 120,  
TVM125 - 220, TVXL170 - 220, TVS75 - 120, TVXL105 - 115,  
V40 - 80, VH40 - 70, V60 - 70, VM70 - 100

Model numbers are located on the engine shroud.

**3 TO 11 HP  
4-CYCLE  
L-HEAD  
ENGINES**



# CONTENTS

<b>CHAPTER 1 GENERAL INFORMATION .....</b>	<b>1</b>
ENGINE IDENTIFICATION .....	1
INTERPRETATION OF MODEL NUMBER .....	1
SHORT BLOCKS .....	2
FUEL .....	2
ENGINE OIL .....	3
TUNE-UP PROCEDURE .....	3
STORAGE .....	4
<b>CHAPTER 2 AIR CLEANERS .....</b>	<b>5</b>
GENERAL INFORMATION .....	5
OPERATION .....	5
COMPONENTS .....	5
TROUBLESHOOTING OR TESTING .....	5
SERVICE .....	6
DISASSEMBLY PROCEDURE .....	6
POLYURETHANE-TYPE FILTER ELEMENT .....	6
PAPER-TYPE FILTER ELEMENT .....	6
<b>CHAPTER 3 CARBURETORS AND FUEL SYSTEMS .....</b>	<b>7</b>
GENERAL INFORMATION .....	7
OPERATION .....	8
FUEL PRIMERS .....	8
IMPULSE FUEL PUMPS .....	9
FLOAT STYLE CARBURETORS .....	9
DIAPHRAGM (PRESSURE DIFFERENTIAL) CARBURETORS .....	9
COMPONENTS .....	10
CARBURETOR IDENTIFICATION .....	11
DUAL SYSTEM CARBURETORS .....	11
SERIES 1 CARBURETORS .....	11
SERIES 3 & 4 CARBURETORS .....	11
DIAPHRAGM CARBURETORS .....	11
SERIES 6 CARBURETORS 4-CYCLE .....	12
SERIES 8 .....	12
SERIES 9 .....	12
SERIES 10 (EMISSION) .....	12
NON-TECUMSEH CARBURETORS -- DELLORTO CARBURETOR .....	12
ENGINE TROUBLESHOOTING CHART .....	13
CARBURETION TROUBLESHOOTING CHART .....	14
TESTING .....	15
SERVICE .....	15
CARBURETOR PRE-SETS AND ADJUSTMENTS .....	15
FINAL ADJUSTMENTS (NON-EMISSION ENGINES) .....	16
NON-ADJUSTABLE CARBURETOR .....	16
DISASSEMBLY PROCEDURE .....	17
FLOAT STYLE CARBURETORS .....	17
DIAPHRAGM CARBURETORS .....	19
FLOAT ADJUSTING PROCEDURE .....	19
INSPECTION .....	20
ASSEMBLY .....	21
STANDARD SERVICE CARBURETORS .....	24
<b>CHAPTER 4 GOVERNORS AND LINKAGE .....</b>	<b>26</b>
GENERAL INFORMATION .....	26
OPERATION .....	26
INTERNAL COMPONENTS (VARIOUS STYLES) .....	26
TROUBLESHOOTING .....	26
ENGINE OVERSPEEDING .....	27
ENGINE SURGING .....	27
SERVICE .....	27
GOVERNOR ADJUSTMENT .....	27
GOVERNOR ADJUSTMENT PROCEDURE FOR SHORT BLOCK INSTALLATIONS .....	27

GOVERNOR GEAR AND SHAFT SERVICE .....	28
SPEED CONTROLS AND LINKAGE .....	29
<b>CHAPTER 5 REWIND STARTERS .....</b>	<b>35</b>
GENERAL INFORMATION .....	35
OPERATION .....	35
COMPONENTS .....	35
SERVICE .....	35
ROPE SERVICE .....	35
RETAINER REPLACEMENT .....	36
STYLIZED REWIND STARTER (TVS, HM, TVM, TVXL), AND STAMPED STEEL STARTER (HM, VM, TVM, TVXL) .....	36
STYLIZED REWIND STARTER WITH PLASTIC RETAINER .....	37
STANDARD STAMPED STEEL AND CAST ALUMINUM STARTER (HM, VM) .....	38
VERTICAL PULL STARTER HORIZONTAL ENGAGEMENT TYPE .....	39
VERTICAL PULL STARTER VERTICAL ENGAGEMENT TYPE .....	40
<b>CHAPTER 6 ELECTRICAL SYSTEMS .....</b>	<b>42</b>
GENERAL INFORMATION .....	42
OPERATION .....	42
STARTING CIRCUIT AND ELECTRIC STARTERS .....	42
CHARGING CIRCUIT .....	42
CONVERTING ALTERNATING CURRENT TO DIRECT CURRENT .....	43
HALF WAVE RECTIFIER SINGLE DIODE .....	43
FULL WAVE RECTIFIER BRIDGE RECTIFIER .....	43
COMPONENTS .....	43
BATTERY .....	43
WIRING .....	43
ELECTRICAL TERMS .....	44
BASIC CHECKS .....	45
TROUBLESHOOTING ELECTRICAL STARTER CIRCUIT FLOW CHART .....	46
TROUBLESHOOTING ELECTRICAL CHARGING CIRCUIT FLOW CHART .....	47
TESTING PROCEDURE .....	48
STARTING CIRCUIT .....	48
CHARGING CIRCUIT .....	48
VOLTAGE REGULATIONS .....	56
LOW OIL SHUTDOWN SWITCHES .....	56
SERVICE .....	57
12 VOLT OR 120 VOLT ELECTRIC STARTERS WITH EXPOSED SHAFT .....	57
12 VOLT D.C. OR 120 VOLT A.C. ELECTRIC STARTERS WITH THE STARTER GEAR UNDER THE CAP ASSEMBLY .....	57
INSPECTION .....	58
<b>CHAPTER 7 FLYWHEEL BRAKE SYSTEMS .....</b>	<b>59</b>
GENERAL INFORMATION .....	59
OPERATION .....	59
BOTTOM SURFACE SYSTEM .....	59
INSIDE EDGE SYSTEM .....	60
COMPONENTS .....	60
SERVICE .....	61
FLYWHEEL REMOVAL .....	61
BRAKE LEVER AND PAD .....	61
IGNITION GOUNDOUT TERMINAL .....	61
STARTER INTERLOCK SWITCH .....	62
CONTROL CABLE .....	62
BRAKE BRACKET REPLACEMENT .....	62
<b>CHAPTER 8 IGNITION .....</b>	<b>63</b>
GENERAL INFORMATION .....	63
OPERATION .....	63
SOLID STATE IGNITION SYSTEM (CDI) .....	63
MAGNETO IGNITION SYSTEM (POINTS) .....	63
IDENTIFICATION OF TECUMSEH IGNITION SYSTEMS .....	64
COMPONENTS .....	64
IGNITION TROUBLESHOOTING .....	66

TESTING PROCEDURE .....	67
SERVICE .....	68
SPARK PLUG SERVICE .....	68
CONDITIONS CAUSING FREQUENT SPARK PLUG FOULING .....	68
IGNITION TIMING PROCEDURE .....	68
SERVICE TIPS .....	71
<b>CHAPTER 9 INTERNAL ENGINE AND CYLINDER .....</b>	<b>72</b>
GENERAL INFORMATION .....	72
OPERATION .....	72
4-CYCLE ENGINE THEORY .....	72
LUBRICATION SYSTEMS .....	73
COUNTERBALANCE SYSTEMS .....	73
COMPONENTS .....	74
ENGINE OPERATION PROBLEMS .....	75
TESTING .....	77
ENGINE KNOCKS .....	77
ENGINE OVERHEATS .....	77
SURGES OR RUNS UNEVENLY .....	77
ENGINE MISFIRES .....	77
ENGINE VIBRATES EXCESSIVELY .....	78
BREATHER PASSING OIL .....	78
EXCESSIVE OIL CONSUMPTION .....	78
LACKS POWER .....	78
SERVICE .....	79
DISASSEMBLY PROCEDURE .....	79
CYLINDERS .....	81
CYLINDER HEADS .....	82
PISTONS, RINGS AND CONNECTING RODS .....	82
CRANKSHAFTS AND CAMSHAFTS .....	84
VALVES .....	85
CRANKCASE BREATHERS .....	86
CYLINDER COVER, OIL SEAL, AND BEARING SERVICE .....	87
CRANKSHAFT BEARING SERVICE .....	88
COUNTERBALANCE SERVICE .....	89
FLYWHEEL SERVICE .....	89
<b>CHAPTER 10 ENGINE SPECIFICATIONS .....</b>	<b>90</b>
FOUR CYCLE TORQUE SPECIFICATIONS .....	91
ENGINE SPECIFICATIONS STANDARD POINT IGNITION .....	93
SOLID STATE AND EXTERNAL IGNITION .....	97
<b>CHAPTER 11 EDUCATION MATERIALS AND TOOLS .....</b>	<b>102</b>
DECIMAL / FRACTION CONVERSIONS .....	105

**SEARS CRAFTSMAN CROSS REFERENCE SUPPLEMENT INCLUDED IN BACK OF BOOK**

# CHAPTER 1 GENERAL INFORMATION

## ENGINE IDENTIFICATION

Tecumseh engine model, specification, and serial numbers or (date of manufacture, DOM) are stamped into the blower housing or located on a decal on the engine in locations as illustrated (diag. 1 & 2).

NOTE: On some LEV engines, a cover bezel must be removed to provide access to the identification decal (diag. 1).

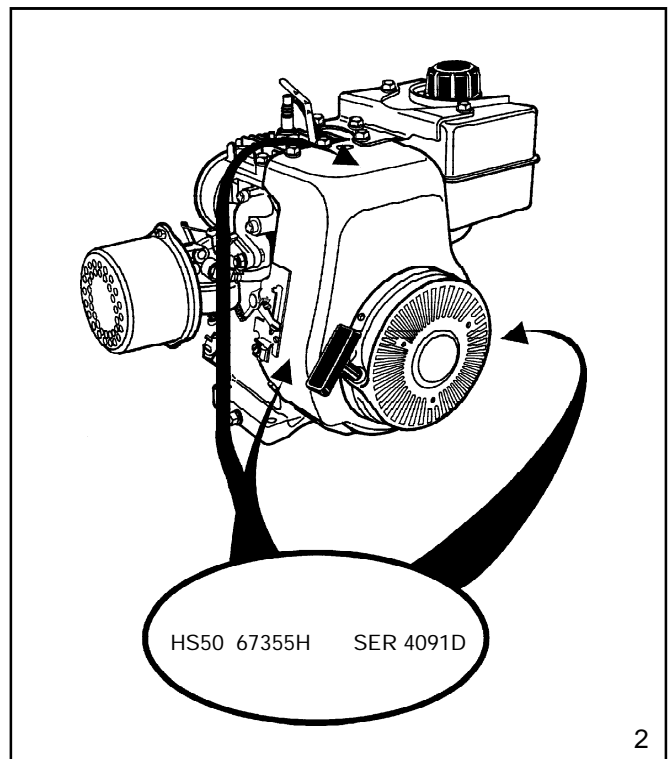
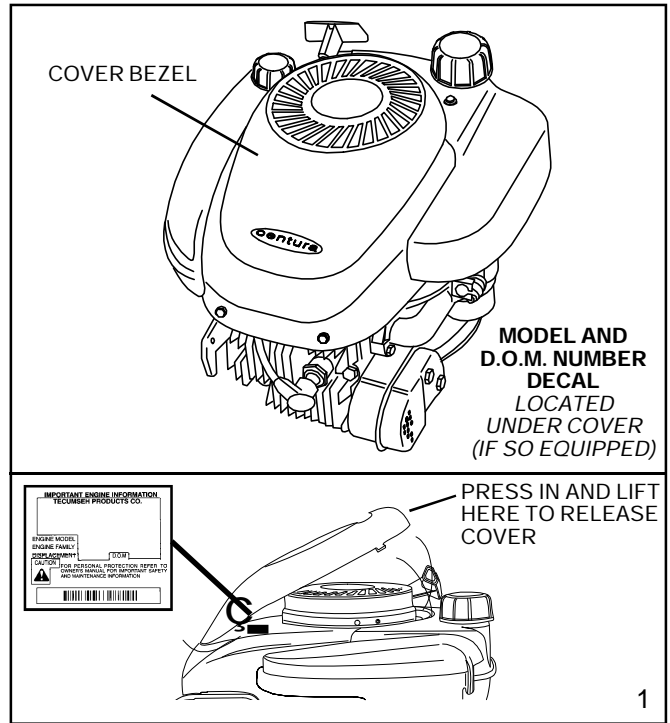
The engine identification decal also provides the applicable warranty code and oil recommendations (diag. 3).

Emissionized engines that meet the California Air Resource Board (C.A.R.B.) or the Environmental Protection Agency (E.P.A.) standards will include additional required engine information on the engine decal (diag. 3).

## INTERPRETATION OF MODEL NUMBER

The first letter designation in a model number indicates basic type of engine.

- V - Vertical Shaft
- LAV - Lightweight Aluminum Vertical
- VM - Vertical Medium Frame
- TVM - Tecumseh Vertical (Medium Frame)
- VH - Vertical Heavy Duty (Cast Iron)
- TVS - Tecumseh Vertical Styled
- TNT - Toro N' Tecumseh
- ECV - Exclusive Craftsman Vertical
- TVXL - Tecumseh Vertical Extra Life
- LEV - Low Emissions Vertical
- H - Horizontal Shaft
- HS - Horizontal Small Frame
- HM - Horizontal Medium Frame
- HHM - Horizontal Heavy Duty (Cast Iron) Medium Frame
- HH - Horizontal Heavy Duty (Cast Iron)
- ECH - Exclusive Craftsman Horizontal
- HSK - Horizontal Snow King



The number designations following the letters indicate the horsepower or cubic inch displacement.

The number following the model number is the specification number. The last three numbers of the specification number indicate a variation to the basic engine specification.

The serial number or D.O.M. indicates the production date.

Using model **LEV115-57010B**, serial **8105C** as an example, interpretation is as follows:

**LEV115-57010B** is the model and specification number

**LEV** Low Emissions Vertical

**115** Indicates a 11.5 cubic inch displacement

**57010B** is the specification number used for properly identifying the parts of the engine

**8105C** is the serial number or D.O.M. (Date of Manufacture)

**8** first digit is the year of manufacture (1998)

**105** indicates calendar day of that year (105th day or April 15, 1998)

**C** represents the line and shift on which the engine was built at the factory.

**Engine Family:** Engine Tracking Information

**IMPORTANT ENGINE INFORMATION**  
**TECUMSEH PRODUCTS CO.**  
FUEL REGULAR UNLEADED  
OIL, SAE 30 (BELOW 32°F SAE 5W30)

ENGINE MODEL LEV115 57010B (D)  
ENGINE FAMILY STP185U1G1RA  
DISPLACEMENT D.O.M. (S E R) 8105C

**CAUTION**  
FOR PERSONAL PROTECTION REFER TO OWNER'S MANUAL FOR IMPORTANT SAFETY AND MAINTENANCE INFORMATION

**IMPORTANT ENGINE INFORMATION**  
**TECUMSEH PRODUCTS CO.**  
THIS ENGINE MEETS 1995-1998 CALIF. EMISSION REGULATOR FOR ULGE ENGINES AS APPLICBLE  
FUEL: REGULAR UNLEADED OIL: USE SEA30


ENGINE MODEL LEV115 57010B (D)  
ENGINE FAMILY STP185U1G1RA  
DISPLACEMENT D.O.M. (S E R) 8105C

**CAUTION**  
FOR PERSONAL PROTECTION REFER TO OWNER'S MANUAL FOR IMPORTANT SAFETY AND MAINTENANCE INFORMATION

3

## SHORT BLOCKS

New short blocks are identified by a tag marked S.B.H. (Short Block Horizontal) or S.B.V. (Short Block Vertical). Original model identification numbers of an engine should always be transferred to a new short block for correct parts identification (diag. 4).

 **THIS SYMBOL POINTS OUT IMPORTANT SAFETY INSTRUCTIONS WHICH IF NOT FOLLOWED COULD ENDANGER THE PERSONAL SAFETY OF YOURSELF AND OTHERS. FOLLOW ALL INSTRUCTIONS.**

SHORT BLOCK IDENTIFICATION TAG

SBV OR SBH IDENTIFICATION NUMBER

**SBV-2316**

**SER 4291**

SERIAL NUMBER

4

## FUEL

Tecumseh strongly recommends the use of fresh clean unleaded regular gasoline in all engines. Unleaded gasoline burns cleaner, extends engine life and promotes better starting by reducing build-up of combustion chamber deposits.

### REFORMULATED AND OXYGENATED FUELS

Reformulated fuels containing no more than 10% Ethanol, 15% MTBE, 15% ETBE or premium gasoline can be used if unleaded regular gasoline is not available. Leaded fuel may be used in countries where unleaded fuel is not available. **NEVER USE FUEL CONTAINING METHANOL.**

## ENGINE OIL

Use a clean, high quality **detergent** oil. Be sure original container is marked: A.P.I. service SF thru SJ. The use of multigrade oil may increase oil consumption under high temperature, high load applications.

### NOTE: DO NOT USE SAE10W40 OIL.

For summer (above 32°F, 0°C) use SAE 30 oil part # 730225 (1 quart, .946 liter container) in high temperature, high load applications.

S.A.E.10W30 is an acceptable substitute.

For winter (below 32°F, 0°C) use S.A.E. 5W30 oil part # 730226 (1 quart, .946 liter container)

S.A.E.10W is an acceptable substitute.

S.A.E. 0W30 should only be used when ambient temperature is below 0°F, -18°C.

### CAPACITIES:

#### Engine Model

LAV30-50, TVS75-120, LEV80-120	21	630
ECV100-120, TNT100-120	21	630
V & VH50, 60, 70	27	810
TVM 125, 140	27	810
TVM & TVXL 170, 195, 220	32	960
VM70, 80, 100	32	960
VH100	50	1500
H & HSK30, 35, HS & HSSK40, 50	21	630
H, HH & HSK50, 60, 70	19	570
HM & HMSK70, 80, 100	26	720

Oz.

mL.

### EUROPA MODELS

Oz.

mL.

Vantage	21	630
Prisma	21	630
Synergy	21	630
Synergy "55"	27	810
Spectra	21	630
Futura	21	630
Centura	21	630
HTL	21	630
BVS	21	630
BH Series	21	630
Geo Tech Series 35-50	21	630

**Oil Change Intervals.** Change the oil after the first two (2) hours of operation and every 25 hours thereafter, or more often if operated under dusty or dirty conditions, extreme temperature, or high load conditions.

**Oil Check.** Check the oil each time the equipment is used or every 5 hours. Position the equipment so the engine is level when checking the oil.



**CAUTION: REMOVE THE SPARK PLUG WIRE BEFORE DOING ANY SERVICE WORK ON THE ENGINE.**

**Oil Change Procedure:** Locate the oil drain plug. On some units this plug is located below the deck through the bottom of the mounting flange. Other units drain at the base of the engine above the deck or frame. If access to the drain plug is restricted by the equipment it may be necessary to drain the oil by tipping the mower in a position that would allow the oil to drain out of the fill tube.

On units that the drain plug is accessible, remove the plug and allow the oil to drain into a proper receptacle. Always make sure that drain oil is disposed of properly.

Once the oil is drained, reinstall the plug and fill the engine with new oil to the proper capacity.

## TUNE-UP PROCEDURE.

The following is a minor tune-up procedure. When this procedure is completed, the engine should operate properly. Further repairs may be necessary if the engine's performance remains poor.



**CAUTION: REMOVE THE SPARK PLUG WIRE BEFORE DOING ANY SERVICE WORK ON THE ENGINE.**

1. Service or replace the air cleaner as needed.
2. Inspect the level and condition of the oil and change or add oil as required.
3. Remove the blower housing and clean all dirt, grass or debris from the intake screen, cylinder head, cylinder cooling fins, carburetor, governor levers and linkage.
4. Make sure the fuel tank, fuel filter and fuel line are clean. Replace any worn or damaged governor springs or linkage. Make the proper governor adjustments and carburetor presets where required.

5. When replacing the spark plug, consult the parts breakdown for the proper spark plug to be used in the engine being serviced. Set the spark plug gap to .030" (.762 mm) and install the spark plug in the engine. Tighten the spark plug to 15 foot pounds of torque (20.4 Nm). If a torque wrench isn't available, screw the spark plug in as far as possible by hand, and use a spark plug wrench to turn the spark plug 1/8 to 1/4 turn further if using the old spark plug, or 1/2 turn further if using a new spark plug.
6. Make sure all ignition wires are free of abrasions or breaks and are properly routed so they will not rub on the flywheel.
7. Properly reinstall the blower housing, gas tank, fuel line and air cleaner assembly if removed.
8. Make sure all remote cables are properly adjusted for proper operation. See chapter 4 under "Speed Controls and Linkage".
9. Reinstall the spark plug wire, add fuel and oil as necessary, and start the engine.

**STORAGE:** (IF THE ENGINE IS TO BE UNUSED FOR 30 DAYS OR MORE)

 **CAUTION: NEVER STORE THE ENGINE WITH FUEL IN THE TANK INDOORS , IN ENCLOSED POORLY VENTILATED AREAS WHERE FUEL FUMES MAY REACH AN OPEN FLAME, SPARK OR PILOT LIGHT AS ON A FURNACE, WATER HEATER, CLOTHES DRYER OR OTHER GAS APPLIANCE.**

Gasoline can become stale in less than 30 days and form deposits that can impede proper fuel flow and engine operation. To prevent deposits from forming, all gasoline must be removed from the fuel tank and the carburetor. An acceptable alternative to removing all gasoline is adding a fuel stabilizer to the gasoline. Fuel stabilizer (such as Tecumseh's Part No. 730245) is added to the fuel tank or storage container. Always follow the mix ratio found on the stabilizer container. Run the engine at least 10 minutes after adding the stabilizer to allow it to reach the carburetor.

 **CAUTION: THE USE OF SOME ANTI-ICING ADDITIVES MAY CREATE A METHANOL FUEL BLEND. DO NOT USE ADDITIVES THAT CONTAIN METHANOL. FUEL CONDITIONERS THAT CONTAIN ISOPROPYL ALCOHOL IS RECOMMENDED.**

**Draining the Fuel System:**

 **CAUTION: DRAIN THE FUEL INTO AN APPROVED CONTAINER OUTDOORS, AND AWAY FROM ANY OPEN FLAME OR COMBUSTION SOURCE. BE SURE THE ENGINE IS COOL.**

1. Remove all gasoline from the fuel tank by running the engine until the engine stops, or by draining the fuel tank by removing the fuel line at the carburetor or fuel tank. Be careful not to damage the fuel line, fittings, or fuel tank.
2. Drain the carburetor by pressing upward on the bowl drain (if equipped) which is located on the bottom of the carburetor bowl. On carburetors without a bowl drain, the carburetor may be drained by loosening the bowl nut on the bottom carburetor one full turn. Allow to completely drain and retighten the bowl nut being careful not to damage the bowl gasket when tightening.
3. If "Gasohol" has been used, complete the above procedure and then put one half pint of unleaded gasoline into the fuel tank and repeat the above procedure. If Gasohol is allowed to remain in the fuel system during storage, the alcohol content will cause rubber gaskets and seals to deteriorate.

**Change Oil:** If the oil has not been changed recently, this is a good time to do it.

**Oil Cylinder Bore:**

1. Disconnect the spark plug wire and ground the wire to the engine. Remove the spark plug and put 1/2 ounce (14 ml) of clean engine oil into the spark plug hole.
2. Cover the spark plug hole with a shop towel.
3. Crank the engine over slowly several times.

 **CAUTION: AVOID SPRAY FROM SPARK PLUG HOLE WHEN SLOWLY CRANKING ENGINE OVER.**

4. Install the spark plug and connect the spark plug wire.

**Clean Engine:** Remove the blower housing and clean all dirt, grass or debris from the intake screen, cylinder head, cylinder cooling fins, carburetor, governor levers and linkage.



# CHAPTER 2 AIR CLEANERS

## GENERAL INFORMATION

The air cleaner is the device used to eliminate dust and dirt from the air supply. Filtered air is necessary to assure that abrasive particles are removed before entering the carburetor and combustion chamber. Dirt allowed into the engine will quickly wear the internal components and shorten the life of the engine.

Tecumseh engines use either a polyurethane or a paper-type air filter system. A polyurethane pre-cleaner or a flocked screen may be used in conjunction with the main filter. Snow King® engines do not use an air filter.

Extremely dirty conditions may require more frequent filter cleaning or replacement.

## OPERATION

The outer cover encapsulates the air filter element(s) and prevents large particles from entering the filter box. Air is filtered through the pre-cleaner or flocked screen (if equipped) and the polyurethane or paper filter element. Pre-cleaners or flocked screens provide additional air cleaning capacity.

In Tecumseh's Kleen Aire® system, air is drawn in through a rotating screen or recoil cover to be centrifugally cleaned by the flywheel before the air is drawn into the air filter.

## COMPONENTS (diag 1 & 2)

The **cover** holds the filter element and prevents large debris from entering the filter element.

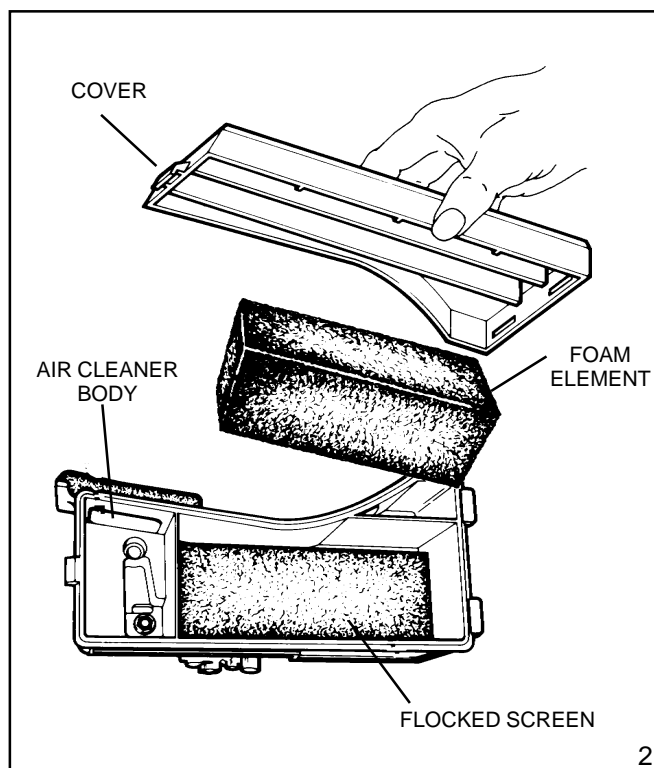
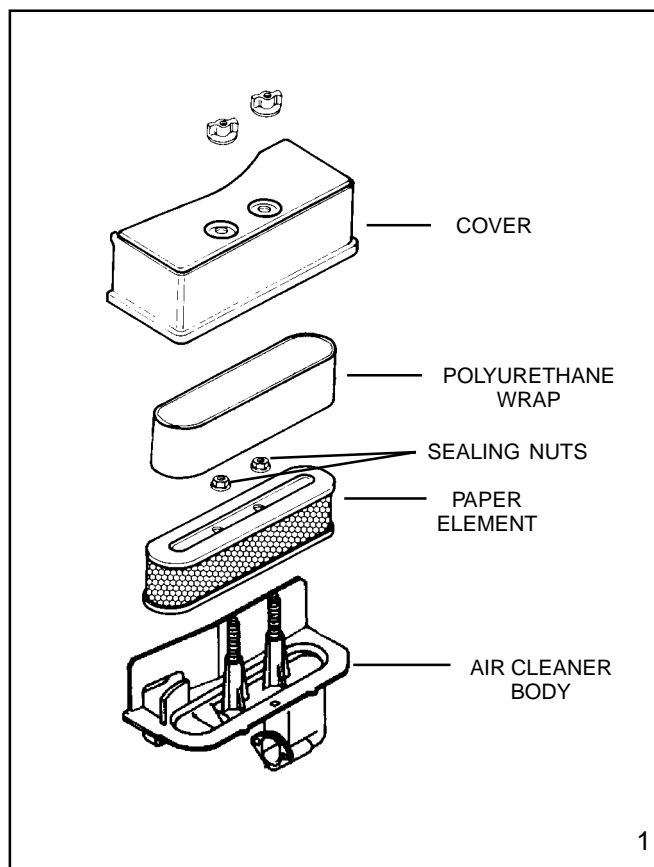
The **polyurethane wrap pre-filter** is used on XL or XL/C engine models with paper filter elements.

The **paper** or **polyurethane filter element** is the main filter to trap dust and dirt. Dry-type paper elements have treated paper folded for increased surface area and rubber-like sealing edges. The polyurethane filter uses an oil film to trap fine particles found in dust.

The **flocked screen** is used as an additional filter on XL or XL/C engine models that use a polyurethane filter element.

## TROUBLESHOOTING OR TESTING

If the engine's performance is unsatisfactory (needs excessive carburetor adjustments, starts smoking abnormally, loses power), the first engine component to be checked is the air cleaner. A dirt restricted or an oil soaked element will cause noticeable performance problems. A polyurethane element may be cleaned following the service procedure listed under "Service" in this chapter. A paper-type air filter should only be replaced. A paper-type element cannot have an oil film present on the paper. Follow the procedure listed in the "Service" section of this chapter for replacement. Re-try the engine after filter replacement or service. If the problem persists after filter service, see Chapter 9 under "Engine Operation Problems" for additional causes.



## SERVICE

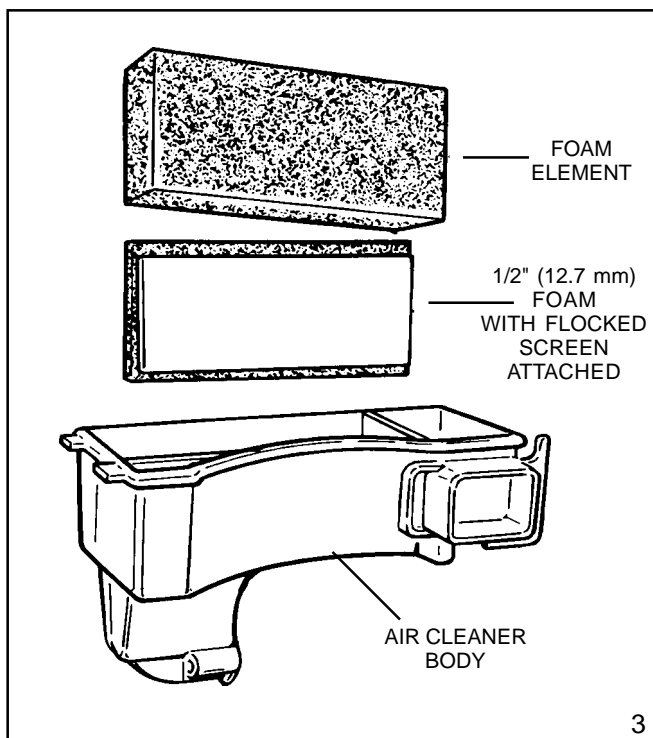
Service on the polyurethane element (cleaning and oiling) is recommended every three months or every twenty five operating hours, whichever comes first. Extremely dirty or dusty conditions may require daily cleanings.

The paper filter element should be replaced at least once a year or more frequently if operated in dusty or dirty conditions.

**NOTE:** NEVER RUN THE ENGINE WITHOUT THE COMPLETE AIR CLEANER ASSEMBLY INSTALLED ON THE ENGINE. ALWAYS REPLACE THE FILTER ELEMENT WITH THE PROPER TECUMSEH ORIGINAL REPLACEMENT PART.

## DISASSEMBLY PROCEDURE

1. Unlock the tabs or remove the screws, wingnuts or snaps holding the air cleaner cover in place.
2. Remove the hex nuts holding the element down if equipped. New nuts are supplied with a new filter and **MUST** be used for proper sealing.
3. Clean the excess contaminants out of the air cleaner body before removing the old element.
4. Remove the old element and the polyurethane pre-cleaner if equipped.
5. On air cleaners that use a flocked screen under the polyurethane element, remove the air cleaner assembly from the carburetor before removing the flocked screen. This prevents dirt from entering the carburetor (diag 3).
6. Clean the inside of the cover and body, remove the old gasket between the carburetor and the air cleaner assembly.
7. Reinstall the air cleaner assembly using a new gasket.
8. Use the reverse procedure for reassembly. When installing the foam polyurethane pre-cleaner, make sure the seam is installed to the outside to prevent gaps between the paper element and the pre-cleaner.



## POLYURETHANE-TYPE FILTER ELEMENT

This type of air filter can be serviced when restricted with dust or dirt. Wash the filter or pre-cleaner in a liquid detergent and water solution until all the dirt is removed. Rinse in clear water to remove the detergent solution. Squeeze the element (do not twist) to remove the excess water. Wrap the element in a clean cloth and squeeze it (do not twist) until completely dry.

Re-oil the element by applying engine oil and squeezing it vigorously to distribute the oil. Roll the element in a cloth and squeeze it (do not twist) to remove the excess oil.

Clean the air cleaner housing and cover being careful not to allow dirt to fall into the carburetor or intake pipe.

## PAPER -TYPE FILTER ELEMENT

Paper type air filter elements can only be serviced by replacement. Do not attempt to clean a paper filter element.

# CHAPTER 3 CARBURETORS AND FUEL SYSTEMS

## GENERAL INFORMATION

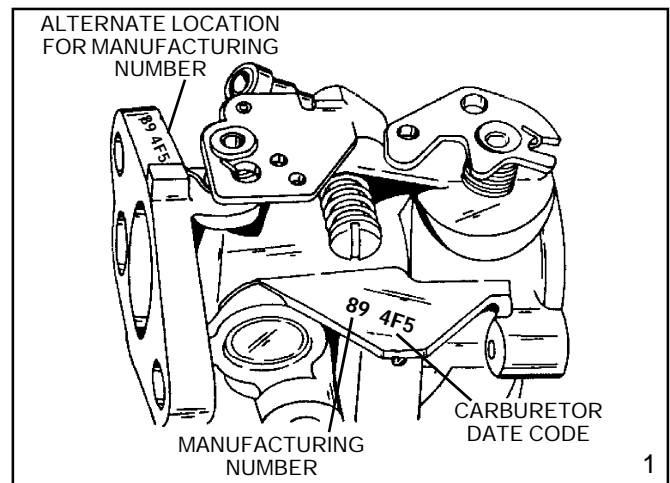
Tecumseh uses two basic types of carburetors, float and diaphragm type carburetors. Float type carburetors use a hollow float to maintain the operating level of fuel in the carburetor. Diaphragm type carburetors use a rubber-like diaphragm. One side is exposed to intake manifold pressure and the other side to atmospheric pressure. The diaphragm provides the same basic function (maintaining the proper fuel level in the carburetor) as the float.

An advantage of the diaphragm carburetor over the float style is that the diaphragm carburetor will allow the engine to operate at a greater degree of tiltability.

Tecumseh carburetors are identified by a manufacturing number and date code stamped on the carburetor as illustrated (diag. 1).

When servicing carburetors, use the engine model and specification number to obtain the correct carburetor part number. An alternate method of finding the correct carburetor part number is to use the manufacturing number stamped on the carburetor and convert this number to a part number. In the carburetor section of the Master Parts Manual, Microfiche Catalog or computer parts look-up system, a cross reference chart will convert a carburetor manufacturing number to a Tecumseh part number.

Complete carburetor replacement may be accomplished with a standard service carburetor. A standard service carburetor is a basic carburetor that may require the use of original carburetor parts or additional new parts to adapt to the specification. An instruction sheet is provided with the new service carburetor or see "SERVICE" in this chapter.



**CAUTION: DRAIN THE FUEL INTO AN APPROVED CONTAINER OUTDOORS, AND AWAY FROM ANY OPEN FLAME OR COMBUSTION SOURCE. BE SURE THE ENGINE IS COOL.**

**NOTE:** Today's fuels can cause many problems in an engine's performance, due to the fuel's quality and short shelf life. Always check fuel as a primary cause of engine performance.

1. Remove the air filter, heater box, or air cleaner assembly if applicable to visually check that the choke shutter completely closes or check to see if fuel comes out of the main nozzle during priming.
2. If the fuel flow from the tank is adequate and no fuel is evident during priming, the carburetor will need to be removed for service. See "Service" in this chapter or consult the "Carburetion Troubleshooting" chart to diagnose carburetor symptoms. Improper fuel flow indicates the fuel, fuel line, filter or tank require cleaning or replacement.
3. Check the engine compression using a commercially available compression tester and follow the tester's recommended procedure. Low compression, a dry spark plug, adequate fuel flow, and a known good functional carburetor indicates an internal engine problem exists. See under "Troubleshooting."
4. A wet spark plug indicates fuel is being supplied by the carburetor. The engine may be flooded by a restricted air filter, carbon shorted or defective spark plug, excessive choking or over priming, improperly adjusted or defective carburetor. With the spark plug removed and a shop towel over the spark plug hole, turn the engine over slowly 3 or 4 times to remove excess gasoline from the engine cylinder.

**CAUTION: KEEP ALL COMBUSTIVE SOURCES AWAY. AVOID THE SPRAY FROM THE SPARK PLUG HOLE WHEN CRANKING THE ENGINE OVER.**

5. Replace the air filter if restricted or oil soaked. Replace the spark plug if questionable. Install the spark plug and high tension lead and try to start the engine.
6. If the engine floods and fails to start, the carburetor will require service. See the preceding "Carburetion Troubleshooting" chart for additional causes. If the carburetor is functioning properly the problem may be ignition timing related. See "Troubleshooting" under "Ignition".

## OPERATION

In the "CHOKE" or "START" position, the choke shutter is closed and the only air entering the engine enters through openings around the shutter. As the engine starts to rotate, downward piston travel creates a low air pressure area (or vacuum) above the piston. Higher pressure (atmospheric) air rushes into the engine and fills this low pressure area. Since the majority of the air passage is blocked by the choke shutter, a relatively small quantity of air enters the carburetor at an increased speed. The main nozzle and both idle fuel discharge ports are supplying fuel due to the low air pressure in the engine intake. Maximum fuel flow through the carburetor orifices combined with the reduced quantity of air that passes through the carburetor, make a very rich fuel mixture which is needed to start a cold engine.

At engine IDLE speed, a relatively small amount of fuel is required to operate the engine. The throttle is almost completely closed. Fuel is supplied through the primary idle-fuel discharge orifice.

**NOTE: Dual system carburetors do not have an idle circuit.**

During INTERMEDIATE engine operation, a second orifice is uncovered as the throttle shutter opens, and more fuel is allowed to mix with the air flowing into the engine.

During HIGH SPEED engine operation, the throttle shutter is fully opened. Air flows through the carburetor at high speed. The venturi, which decreases the size of the air passage through the carburetor, further accelerates the air flow. This high speed movement of the air decreases the air pressure at the main nozzle opening. Fuel is forced out the main nozzle opening due to the difference in the air pressure on the fuel in the carburetor bowl and the reduced air pressure at the main nozzle opening.

For the fuel to flow, the carburetor bowl must be either vented externally or internally. Some internally vented float style carburetors use a tygon tube and a vent within the air intake. This tube must be present for the carburetor to operate properly (diag. 2).

Air is bled into the main nozzle and through the air bleed located in the air horn. This mixes the fuel and air prior to the fuel leaving the main nozzle. Atomization occurs as the fuel mixture contacts the fast moving air stream. This mist then flows into the intake of the engine.

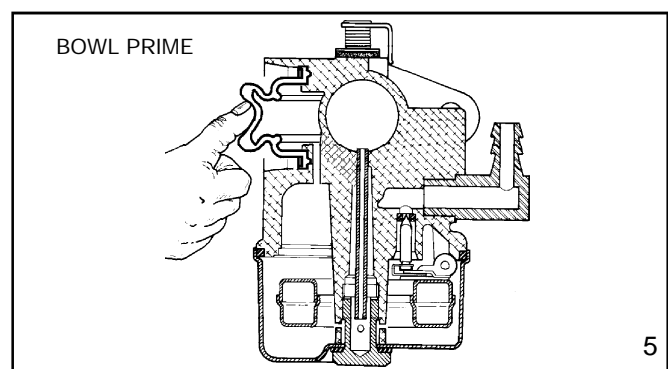
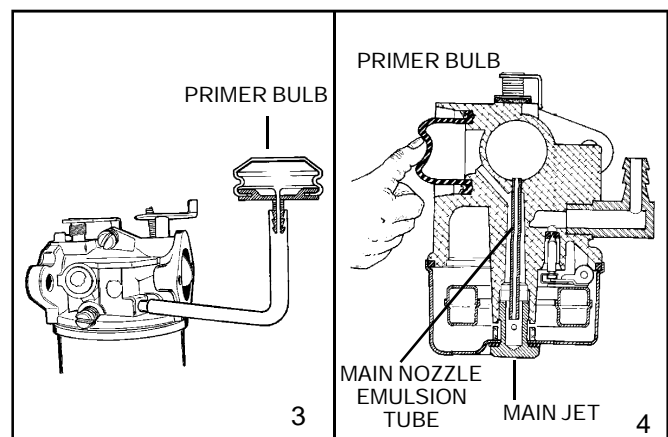
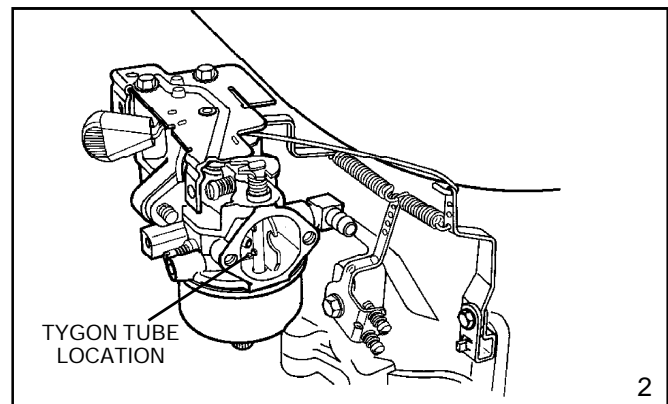
## FUEL PRIMERS

Primers may be mounted remotely or as an integral part of the carburetor. The basic function of the primer is to supply a charge of air to the carburetor main well, or carburetor bowl. On diaphragm carburetors it displaces fuel directly into the carburetor venturi. This displaced fuel provides a rich mixture necessary for engines to start easily on the first or second attempt (diag. 3 & 4).

Primers must be vented either internally (a passage in the carburetor air horn prior to the venturi) or externally (through a hole in the primer bulb). The vent allows air to fill the primer bulb after the primer bulb is released. On diaphragm carburetors a one way valve in the body prevents the fuel from being forced back into the fuel tank.

Two different methods are used to prime float style carburetors, leg prime and bowl prime. The leg prime system is used only on the dual system carburetor. Air is forced into the center leg of the carburetor, which then forces an enriched mixture of fuel up the main nozzle. The bowl prime method is used on Series 6, 8, 9 and 10 carburetors and is distinguished by a stepped or hour glass shaped primer bulb. A good seal of the primer bulbs center lip is critical to assure that a full charge of air reaches the bowl. **Also critical is a tight seal around the float bowl.**

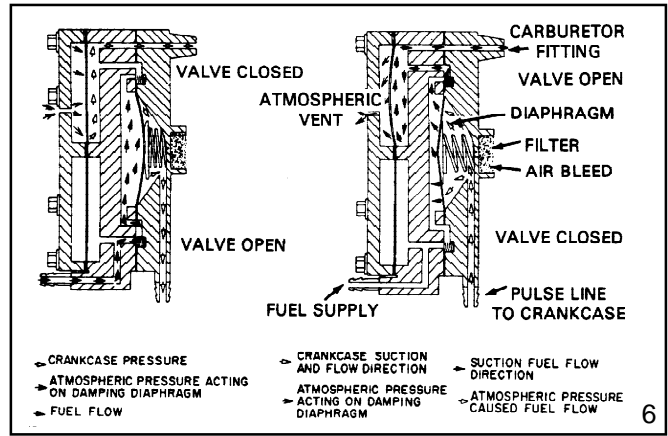
**NOTE: Never re-use a bowl gasket.**



## IMPULSE FUEL PUMPS

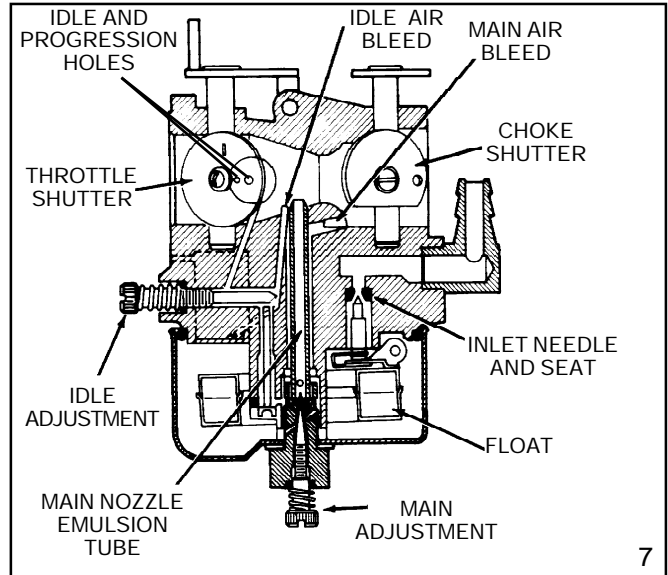
Impulse fuel pumps may either be mounted externally onto the carburetor fuel inlet or remotely mounted. These pumps are connected in the fuel line between the fuel supply and the carburetor or directly to the fuel inlet.

Impulse fuel pumps are operated by crankcase impulses created by the up and down movement of the piston. A hose called a pulse line connects the fuel pump diaphragm chamber to the crankcase and transmits these impulses to the pump diaphragm. The impulses actuate the diaphragm and flap valves to lift the fuel from the fuel tank to the carburetor (diag. 6).



## FLOAT STYLE CARBURETORS

A float is used to maintain the operating volume of fuel in the carburetor bowl. As the fuel is used by the engine, the fuel volume in the carburetor bowl drops and the float moves downward. This allows the inlet needle valve to move off the sealing seat. Fuel flows by gravity or a pulse pump into the fuel bowl. As the fuel volume in the bowl again rises, it raises the float. This upward float motion moves the inlet needle valve to the closed position. When the needle contacts the seat, the fuel flow is stopped. The tapered end of the inlet needle varies the fuel flow rate so that the fuel volume in the carburetor bowl will remain constant (diag. 7). The float height is set according to the service procedure.



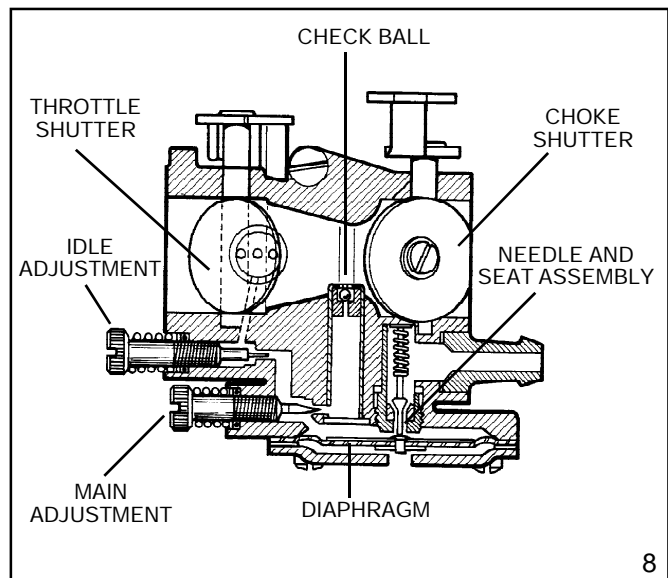
## DIAPHRAGM (PRESSURE DIFFERENTIAL) CARBURETORS

This type of carburetor uses a rubber-like diaphragm which is exposed to intake manifold pressure on one side and to atmospheric pressure on the other. Tecumseh diaphragm carburetors use the diaphragm as a metering device. As the intake manifold pressure decreases due to downward piston travel, the atmospheric pressure on the vented side of the diaphragm moves the diaphragm against the inlet needle. The diaphragm movement overcomes the spring tension on the inlet needle and moves the inlet needle off the seat. This permits the fuel to flow through the inlet valve to maintain the correct fuel volume in the fuel chamber. The inlet needle return spring closes the inlet valve when the pressure on the diaphragm equalizes or a pressure higher than atmospheric exists on the intake side (upward piston travel). The diaphragm meters a correct fuel volume in the fuel chamber to be delivered to the mixing passages and discharge ports (diag. 8).

A main or idle adjustment needle may be replaced by an internally fixed jet on some models.

The main nozzle contains a ball check valve. The main purpose of this ball check is to eliminate air being drawn down the main nozzle during idle speeds and leaning the idle mixture.

An advantage of the diaphragm carburetor over the float system is that the diaphragm carburetor increases the angle that the engine may be operated at.



# COMPONENTS

**Loosen screw until it just clears throttle lever, then turn screw in 1 turn.**

**Place detent reference mark to proper location.**

**Check spring for return action and binding.**

**Remove welch plug and blow air through air passages.**

**Remove adjustment screw. To adjust 20° slant engines, the engine must be mounted in its normal 20° slant position.**

**Check ball is not serviceable on some models.**

**\*NON METALLIC ITEMS - CAN BE DAMAGED BY HARSH CARBURETOR CLEANERS**

**9**

**Labels:** IDLE SPEED ADJUSTMENT SCREW, THROTTLE SHAFT AND LEVER, DETENT REFERENCE MARK ON THROTTLE SHUTTER, THROTTLE SHUTTER, THROTTLE SHAFT RETURN SPRING, IDLE, IDLE PROGRESSION HOLE, IDLE AIR BLEED, \*IDLE MIXTURE ADJUSTMENT SCREW AND "O" RING (If Present), \*MAIN MIXTURE ADJUSTMENT SCREW AND "O" RING (If Present), WELCH PLUG (If Present), \*MAIN NOZZLE CHECK BALL (If Present), CHOKE SHAFT AND LEVER, CHOKE SHUTTER, MAIN NOZZLE, \*INLET FITTING SCREEN, \*INLET FITTING, \*INLET SEAT GASKET, \*INLET NEEDLE SEAT AND SPRING ASSEMBLY, \*DIAPHRAGM GASKET, \*DIAPHRAGM, ATMOSPHERIC VENT HOLE.

**Instructions:** Check shaft for binding. Position shutter opening towards inlet fitting side or air horn. Blow air through passage. Part of inlet fitting. If fuel is restricted, clean or replace fitting. Bulb primer models have Viton\* one way valve, in or behind fitting. Remove and replace. Proper installation of assembly is important. Gasket and diaphragm sequence may be reversed on some models. Head of rivet must touch inlet needle. Rivet is hooked into inlet needle control lever on some models. Hole must be clean. On models with bulb primer, vent hole is very small and is located off center.

**Blow air through passage.**

**Check shaft for looseness or binding. Shutter must be positioned with detent reference marks on top parallel with shaft and to the right or 3 o'clock position.**

**Check spring for return action and binding.**

**Remove idle adjustment screw. Check needle tip and condition of "O" ring. Remove welch plug and blow out all passages.**

**NOTE: On models which have metering rods, do not install idle adjustment screw with carburetors upside down, as pin will obstruct movement of adjustment screw causing damage**

**\*NON METALLIC ITEMS - CAN BE DAMAGED BY HARSH CARBURETOR CLEANERS**

**10**

**Labels:** IDLE AND INTERMEDIATE AIR BLEED, THROTTLE SHAFT AND LEVER, THROTTLE SHUTTER, DETENT REFERENCE MARK, THROTTLE SHAFT RETURN SPRING, IDLE AND INTERMEDIATE ORIFICES, IDLE AND INTERMEDIATE FUEL CHAMBER (COVERED WITH WELCH PLUG), IDLE AND INTERMEDIATE FUEL MIXTURE PASSAGE, \*IDLE ADJUSTMENT SCREW AND "O" RING, ATMOSPHERIC VENT, SOFT BAFFLE PLUG, IDLE AND INTERMEDIATE FUEL TRANSFER PASSAGE, METERING ROD OR PIN IN FUEL TRANSFER PASSAGE, BALL PLUG (DO NOT REMOVE), CUP PLUG, IDLE AND INTERMEDIATE FUEL TRANSFER PASSAGE, IDLE AND MAIN FUEL PICK UP ORFICE, IDLE SPEED ADJUSTMENT, MAIN NOZZLE (EMULSION TUBE), CHOKE SHAFT AND LEVER, CHOKE PLATE, HIGH SPEED AIR BLEED, INLET FITTING, \*INLET NEEDLE AND SEAT, \*FLOAT BOWL GASKET, FLOAT SHAFT, INLET NEEDLE CLIP (If Present), IDLE FUEL TRANSFER PASSAGE AND ANNULAR GROOVE, FLOAT, FLOAT BOWL, \*GASKET, NUT AND MAIN ADJUSTMENT SEAT, \*MAIN ADJUSTMENT SCREW AND "O" RING SEAL.

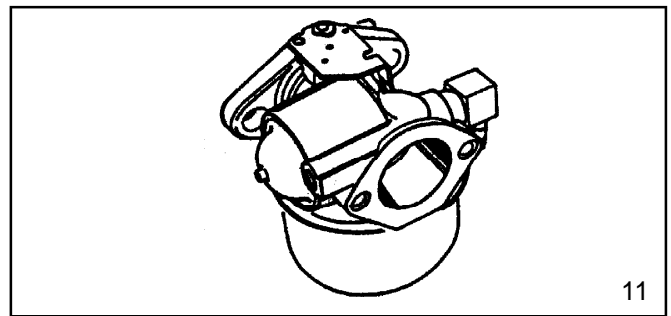
**Instructions:** Loosen screw until it just clears throttle lever, then turn screw in one turn. Removable on emission carbs. non-metallic only. Check shaft for binding position opening to bottom of air horn. Blow air through passage. Do not remove restrictor if present. Proper installation is important. Replace. Must hook over float tab. Check float for leaks or dents. Clean bowl and adjust float level position gasket or gaskets. If the carburetor is used on a 20° slant engine, the engine must be in its normal 20° slanted position for adjustment. Check needle for damage and "O" ring for cracks. Clean all passages in nut with compressed air.

## CARBURETOR IDENTIFICATION

Tecumseh has a variety of carburetors. To help identify these carburetors here are some simple procedures to follow.

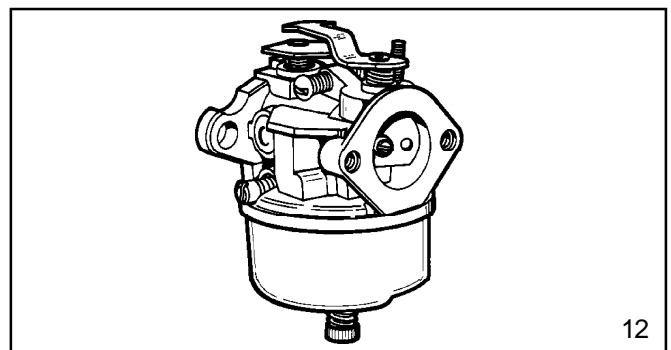
### DUAL SYSTEM CARBURETORS

The easiest way to identify the dual system carburetor is by the presence of a large primer bulb located on the side of the carburetor. The absence of adjustment needles help to identify the carb as well. The dual system carburetor is used on 4-cycle vertical crankshaft rotary mower engines. (diag. 11).



### SERIES 1 CARBURETORS

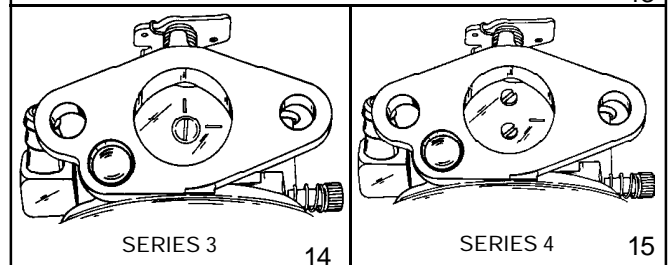
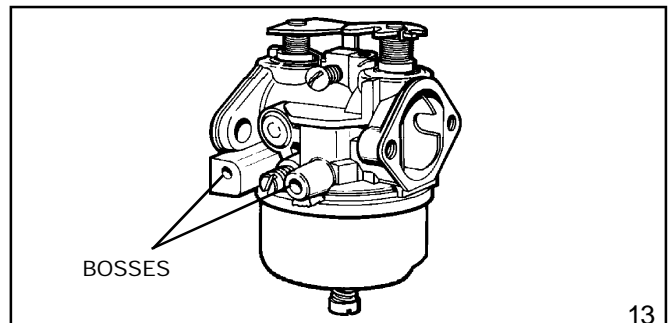
Series 1 carburetors come in a variety of styles. They are used on both 2 and 4 cycle vertical and horizontal shaft engines in the 2 through 7 h.p. range. It is a float style carburetor with a smaller venturi than the Series 3 and 4 carburetors. Some will have an adjustable idle and main and others will have a fixed main with an adjustable idle. There are also some fixed speed applications that will only have a fixed main system and the idle system will not be drilled. (diag. 12).



NOTE: Emissionized carburetors will have a fixed jet.

### SERIES 3 & SERIES 4 CARBURETORS

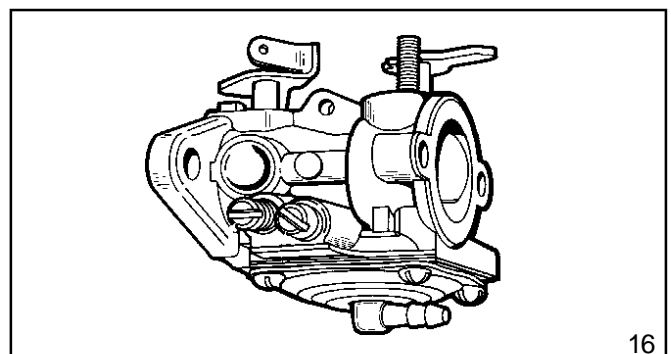
Series 3 and 4 carburetors are generally used on 8 through 12.5 horsepower 4-cycle engines. The venturi size of these carburetors are larger than Series 1 and Dual System Carburetors. The quickest way to identify these carburetors is by the presence of bosses on each side of the idle mixture screw. To identify the Series 3 from a Series 4, view the carburetor from the throttle end. The Series 3 has (1) screw securing the throttle plate and the Series 4 uses (2) screws. (diag. 13 - 15)



### DIAPHRAGM CARBURETORS

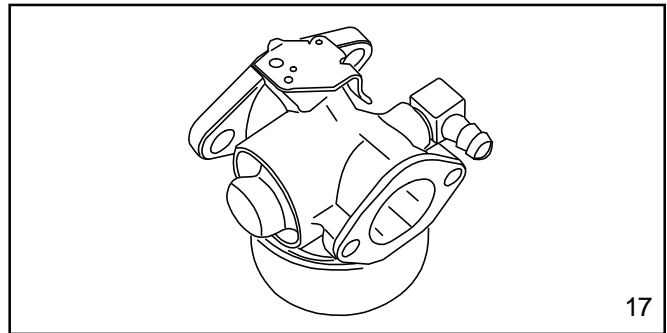
The diaphragm carburetors are unique. These carburetors can be operated at a more severe angle than float style carburetors. They still require that the fuel supply be located in a position that allows it to be gravity fed. Its most distinctive feature is the lack of a fuel bowl. (diag. 16).

NOTE: Emissionized carburetors will have a fixed jet.



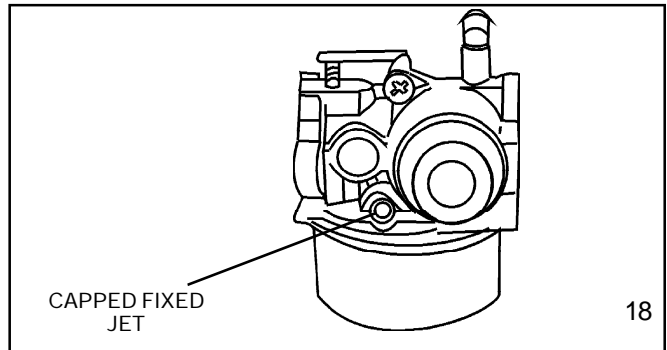
## SERIES 6 CARBURETORS 4-CYCLE

Series 6 carburetors are used on 2 and 4-cycle engines. They have a larger venturi than the dual system carburetor and use a simple fixed idle system. Series 6 carburetors used on both vertical and horizontal applications are nonadjustable. The 4 cycle version pictured has a stepped primer bulb. (diag. 17).



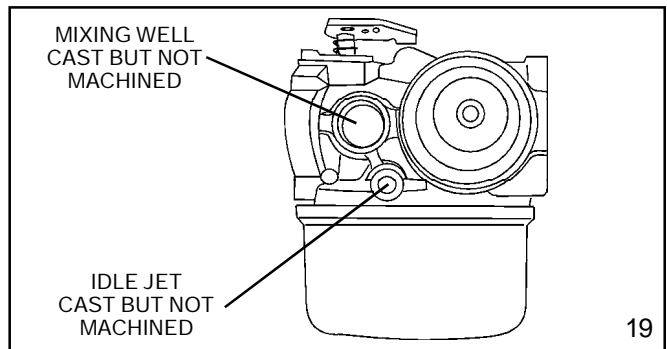
## SERIES 8

The Series 8 carburetor has both a fixed main and idle circuit. The fixed idle system uses a restricted jet that meters the fuel. The idle restrictor jet will be capped to prevent access unless removed. The fixed main jet is part of the bowl nut. A ball plug is visible from the bottom, which seals the metering passage. This carburetor also has a serviceable main nozzle emulsion tube. It also has a stepped primer bulb to assist in starting. (diag. 18)



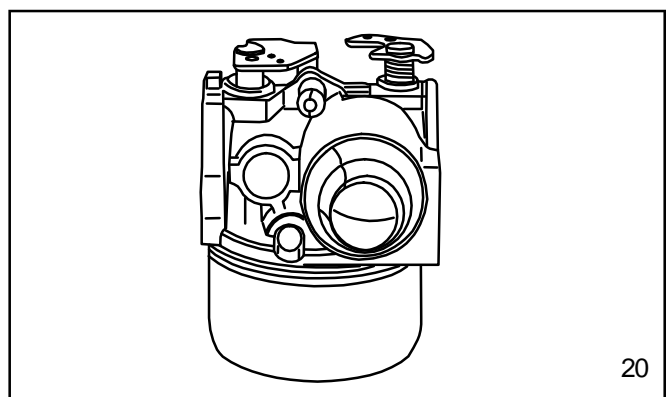
## SERIES 9

The Series 9 carburetor uses the same body as the Series 8 but has a simple fixed idle system, identical to the one used on the Series 6 carburetor. It has the idle discharge port located at the 7 o'clock position on the throttle end of the carburetor. Identify this carburetor by the stepped primer bulb, the presence of a non-drilled idle mixing well and a serviceable main nozzle emulsion tube. (diag. 19)



## SERIES 10 (EMISSION)

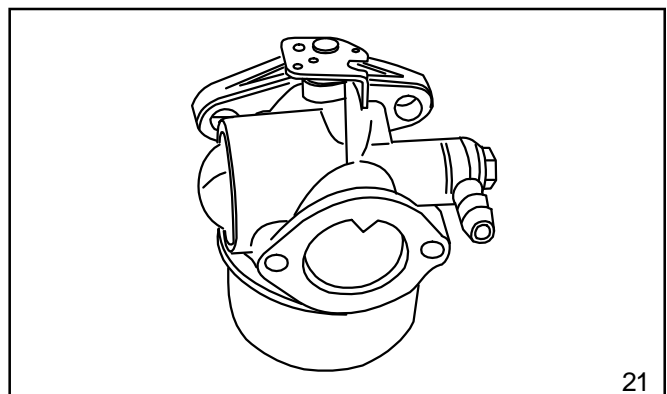
The Series 10 carburetor is identical to the Series 8 carburetor with the addition of a choke to assist in cold weather starts. It also has a fixed idle and main. The idle restrictor jet will be capped to prevent access unless the cap is removed. The fixed main jet is part of the bowl nut. A ball plug is visible from the bottom, which seals the metering passage. This carburetor also has a serviceable main nozzle emulsion tube and a stepped primer bulb to assist in starting. (diag. 20)



## NON-TECUMSEH CARBURETORS

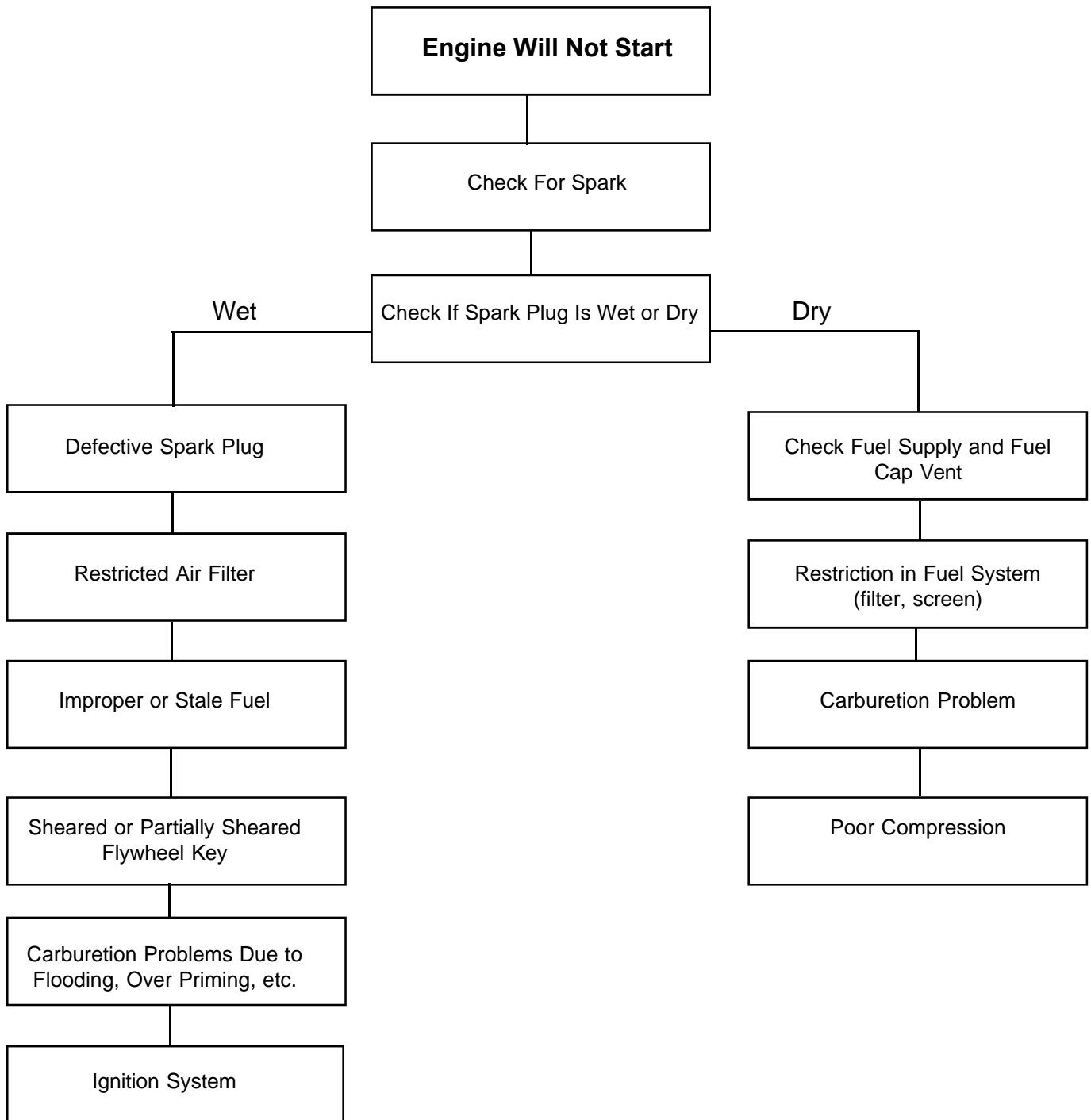
### DELLORTO CARBURETOR

The Dellorto carburetor is similar to the dual system carburetor. It has no adjustments and has a primer assist start. It has a noncorrosive float and the needle is viton tipped, eliminating the viton seat found in the dual system carburetor. The angle of the fuel inlet is adjustable and attached to the carburetor body with a banjo bolt. This carburetor is used on some TVS rotary lawnmower engines.





# ENGINE TROUBLESHOOTING



# CARBURETION TROUBLESHOOTING

	START			IDLE				ACCELERATE				HIGH SPEED				
AIR SYSTEM PROBLEMS	Hard Starting	Fuel Leak at Carburetor	Engine Floods	Will Not Idle	Rich Idle	Idles with Needle Closed	Hunts - Erratic Idle	Idles Fast - Lean	Will Not Accelerate	Over Rich Acceleration	Hesitates	Will Not Run at High Speed	Low Power	Hunts at High Speed	Runs with Needle Closed	Engine Over-speeds
Plugged Air Filter	Á			Á	Á				Á	Á		Á	Á			
Leaky Carburetor Gasket				Á			Á	Á			Á					Á
Throttle or Choke Shafts Worn	Á			Á			Á	Á					Á	Á		Á
Choke Not Functioning Properly	Á															
Plugged Atmospheric Vent		Á	Á													
Air Bleed Restricted	Á			Á	Á		Á		Á		Á			Á		
Damaged or Leaky "O" Rings		Á					Á	Á						Á		Á
<b>DIAPHRAGM SYSTEM PROBLEM</b>																
Damaged Diaphragm	Á	Á		Á				Á					Á		Á	
Stuck or Dirty Ball Check				Á		Á			Á		Á			Á		
Diaphragm Upside Down	Á															
<b>FUEL SYSTEM PROBLEM</b>																
Plugged Tank Filter or Vent	Á								Á		Á	Á	Á			
Fuel Pick-up Restricted	Á			Á			Á		Á		Á	Á		Á		
Idle Port Restricted				Á			Á									
Damaged Adjustment Needles	Á			Á	Á	Á	Á		Á			Á	Á	Á	Á	Á
Incorrect Float Height			Á				Á		Á	Á			Á	Á		
Main Nozzle Restricted	Á								Á		Á	Á	Á	Á		
Dirty, Stuck Needle and Seat	Á	Á	Á										Á			
Fuel Inlet Plugged	Á			Á			Á						Á	Á		

## TESTING

1. After repeated efforts to start the engine using the procedure listed in the operator's manual fail, check for spark by removing the high tension lead and the spark plug. Install a commercially available spark plug tester and check for spark. If spark is evident and acceptable, proceed to step 2. If no or weak spark, see Chapter 8 under "Testing".
2. Visually inspect the spark plug for a wet condition indicating the presence of gasoline in the cylinder.
3. If the spark plug is dry, check for restrictions in the fuel system before the carburetor. If the spark plug is wet, continue with step # 7. Check to see if the fuel cap vent is open. With a proper draining receptacle, remove the fuel line clamp on the carburetor fuel inlet and pull the fuel line off the fitting to examine the fuel flow and fuel condition.
4. Remove the air cleaner element or air cleaner assembly to visually check that the choke shutter completely closes or check to see if fuel comes out from the main nozzle during priming.
5. If the fuel flow is adequate and no fuel is evident during priming, the carburetor will need to be removed for service. See "Service" in this chapter or consult the "Carburetion Troubleshooting" chart if other problems exist. Improper fuel flow indicates the fuel, fuel line, filter or tank require cleaning or replacement.
6. Check the engine compression using a commercially available compression tester and follow the tester's recommended procedure. Low compression, a dry spark plug, adequate fuel flow, and a known good functional carburetor indicates an internal engine problem exists. See Chapter 9 under "Engine Operation Problems."
7. A wet spark plug indicates fuel is being supplied by the carburetor. The engine may be flooded by a restricted air filter, carbon shorted or defective spark plug, excessive choking or over priming, improperly adjusted or defective carburetor, or the wrong ignition timing. With the spark plug removed and a shop towel over the spark plug hole, turn the engine over slowly 3 or 4 times to remove excess gasoline from the engine cylinder.



**CAUTION: KEEP ALL COMBUSTIVE SOURCES AWAY. AVOID THE SPRAY FROM THE SPARK PLUG HOLE WHEN CRANKING THE ENGINE OVER.**

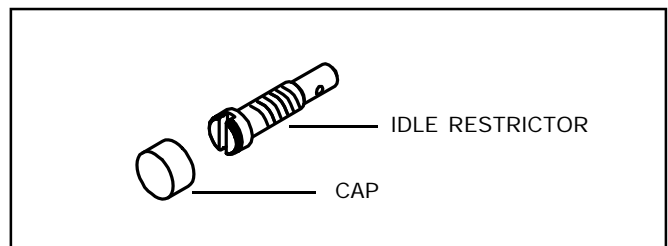
8. Replace the air filter if restricted or oil soaked. Replace the spark plug if questionable. Install the spark plug and high tension lead and retry starting the engine.
9. If the engine floods and fails to start, the carburetor may require service. See the preceding "Carburetion Troubleshooting" chart for additional causes. If the carburetor is functioning properly the problem may be ignition timing related. See Chapter 8 under "Ignition Troubleshooting."

## SERVICE

### CARBURETOR PRE-SETS AND ADJUSTMENT

**NOTE: EMISSION GRADE CARBURETORS HAVE FIXED IDLE AND MAIN JETS. THE ABSENCE OF THE ADJUSTING SCREW INDICATES A FIXED JET OR RESTRICTOR AND NO ADJUSTMENT IS NECESSARY. THE IDLE RESTRICTOR ON AN EMISSIONS CARBURETOR APPEARS AS AN ADJUSTABLE SCREW. THIS IS NOT ADJUSTABLE AND MUST REMAIN TIGHT FOR PROPER OPERATION.**

The idle on an emission is metered using a threaded restrictor (see Illustration). Proper torque of this screw is critical and should be torqued to 5-8 in. lbs. or .5 to 1 nm, if not, it may vibrate loose. When the restrictor is placed in the idle circuit passage it is capped with a tamper resistant plastic cap. **Tampering is considered the rejetting or modification through resizing of the jet.** If the jet is removed for cleaning it must be recapped to prevent tampering when it is re-installed.



Before adjusting any mixture screws the necessary carburetor presets should be made. Check for the proper governor adjustments as outlined in Chapter 4. Identify the correct carburetor model and manufacturer to find locations of the high and low speed adjustment screws. Check the throttle control bracket for proper adjustment allowing a full choke shutter position. See Chapter 4 under "Speed Controls and Linkage". Check to see if the normal maintenance procedures have been performed (oil changed, fresh fuel, air filter replaced or clean). Consult microfiche card #30 to find the correct R.P.M. settings for the engine, or consult Service Bulletin #107 for the revised safety specification for rotary type power lawn mowers. Start the engine and allow it to warm to operating temperature. The carburetor can now be adjusted.

## PRE-SETS AND ADJUSTMENTS

### (TECUMSEH AND WALBRO CARBURETORS)

**NOTE:** OVERTIGHTENING WILL DAMAGE THE TAPER PORTION OF THE NEEDLE. All adjustments should be made with the carburetor in the operating position.

Turn both the main and idle mixture adjusting screws in (clockwise) until finger tight.

Now back the mixture screws out (counterclockwise) to obtain the pre-set figure in the chart shown at right.

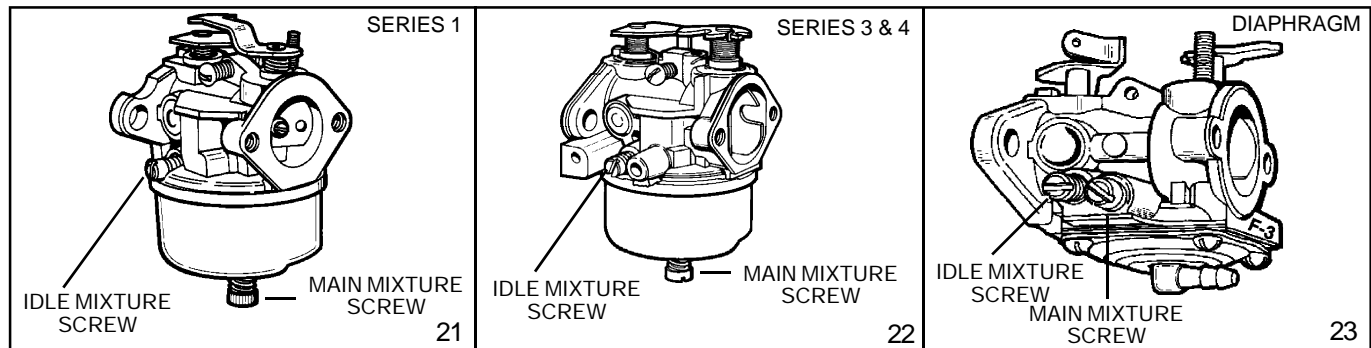
Tecumseh Carburetors		
Engine Model	Main Pre-set	Idle Pre-set
All models with float-type carburetors	1-1/2 turn	1 turn
All models with diaphragm-type carburetors	1 turn	1 turn
Walbro Carburetors		
Carburetor Model Number		
LMH	1-1/2 turn	1-1/2 turn
WHG & LME	1-1/4 turn	1-1/4 turn
LMK	Fixed	1 turn

## FINAL ADJUSTMENTS (NON EMISSION ENGINES)

Start the engine and allow it to warm up to normal operating temperature (3 - 5 minutes). Set the speed control to the HIGH or FAST position. From the recommended preset position, turn the main mixture adjustment screw in (clockwise) slowly until the engine begins to run erratic (lean). Note the position of the screw. Now, turn the screw out (counterclockwise) until the engine begins to run erratic (rich). Turn the screw in (clockwise) midway between these two positions. This will be the best setting. (diag. 21, 22 & 23).

Set the speed control to the IDLE or SLOW position. Adjust the idle mixture screw following the same procedure used to adjust the main mixture adjustment screw.

### TECUMSEH CARBURETORS



If further adjustment is required, the main adjustment should be made under a loaded condition.

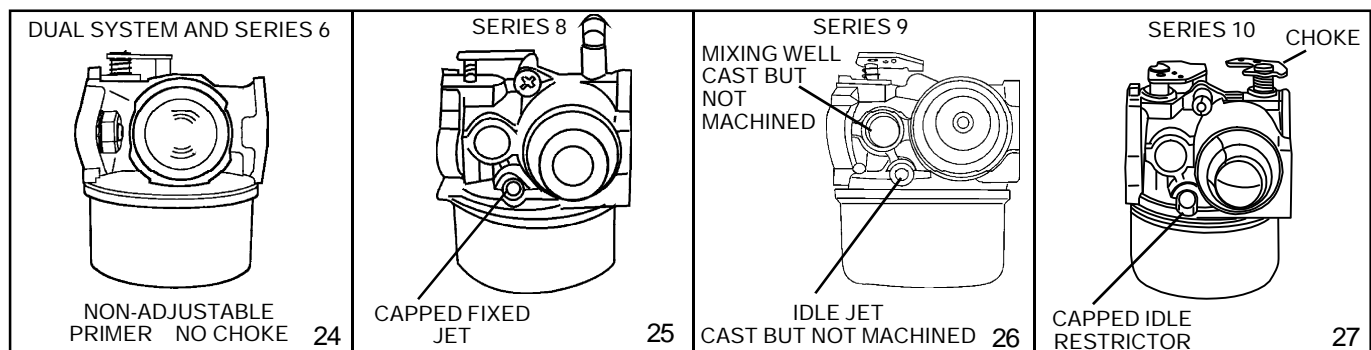
If the engine stops or hesitates while engaging the load (lean), turn the main mixture adjusting screw out (counterclockwise) 1/8 turn at a time, testing each setting with the equipment under load, until this condition is corrected.

If the engine smokes excessively (rich), turn the main adjusting screw in (clockwise) 1/8 turn at a time, testing each setting with the equipment under load, until this condition is corrected.

After the main mixture screw is set, move the speed control to the IDLE or SLOW position. If the engine does not idle smoothly, turn the idle mixture screw 1/8 turn either in (clockwise) or out (counterclockwise) until engine idles smoothly.

Recheck the high and low R.P.M. setting and adjust as necessary.

### NON-ADJUSTABLE CARBURETORS

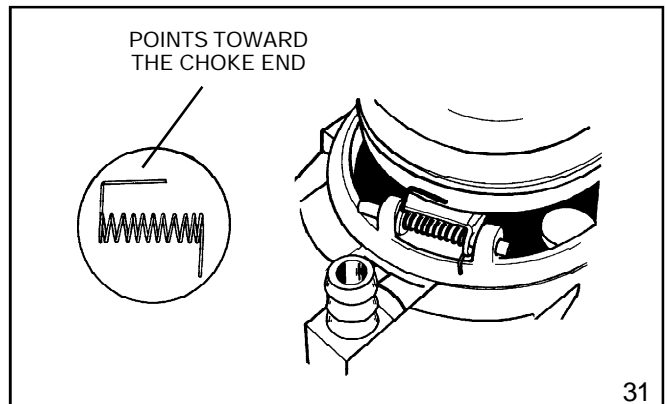
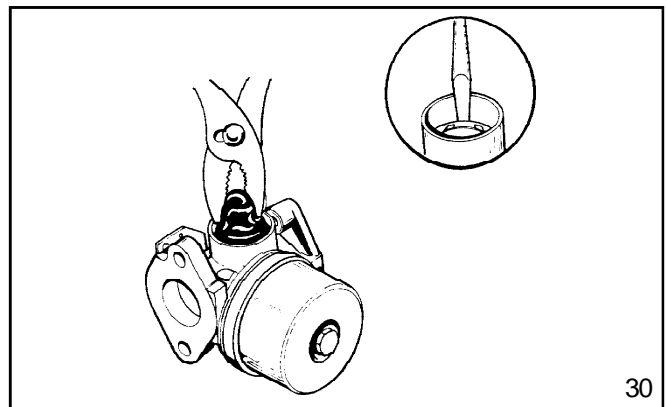
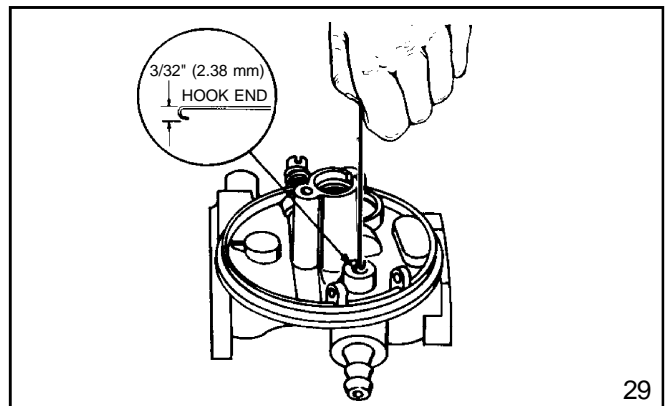
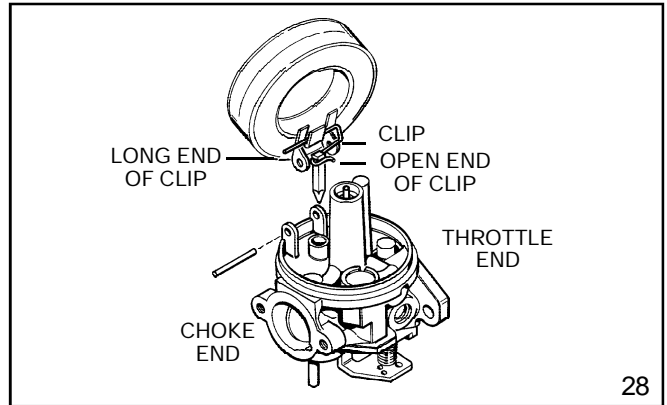


## DISASSEMBLY PROCEDURE

**NOTE:** Engines which are identified as compliant with CARB (California Air Resources Board) or EPA (US Environmental Protection Agency) regulations can NOT be changed from the factory unless specifically authorized.

### FLOAT STYLE CARBURETORS

1. Note or mark the high and low mixture adjusting screws to aid in reassembly (if applicable). Remove the high speed adjusting screw, bowl nut, and float bowl. Remove the idle mixture screw assembly.
2. Note the position of the spring clip on the inlet needle and float, the long end of the clip must face toward the choke end of the carburetor. Remove the float hinge pin with a needlenose pliers. Some carburetors use a float dampening spring to aid the inlet valve in maintaining a steady position during rough service applications. Note the position of the hooks before removing the float hinge pin (diag. 28).
3. Remove the float, clip, and inlet needle.
4. Remove the inlet needle seat using a #4 crochet hook, a wire or paper clip with a  $3/32"$  (2.38 mm) hook end as shown. Push the hook through the hole in the center of the seat to remove it. (diag. 29).
5. Note or mark the action of the choke and throttle shutters, and/or the hook points of the choke or throttle return spring, or seal retainer springs located on the top of the choke and/or throttle shaft. Remove the throttle shutter, throttle shaft, choke shutter, springs and choke shaft by removing the screw(s) that attach the throttle or choke shutter to the shaft inside the air horn.
6. Remove the primer bulb (if equipped) by grasping it with a pliers and pulling and twisting out of the body. Remove the retainer by prying and lifting it out with a screwdriver. Do not re-use the old bulb or retainer (diag. 30).
7. Some Tecumseh float style carburetors have a damper which is installed as shown. (diag. 31)



28

29

30

31

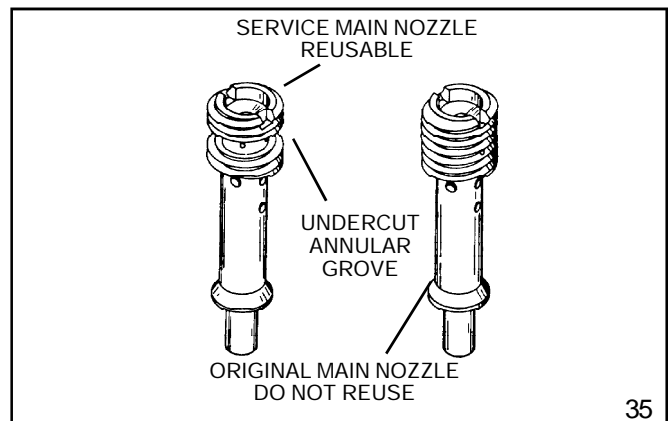
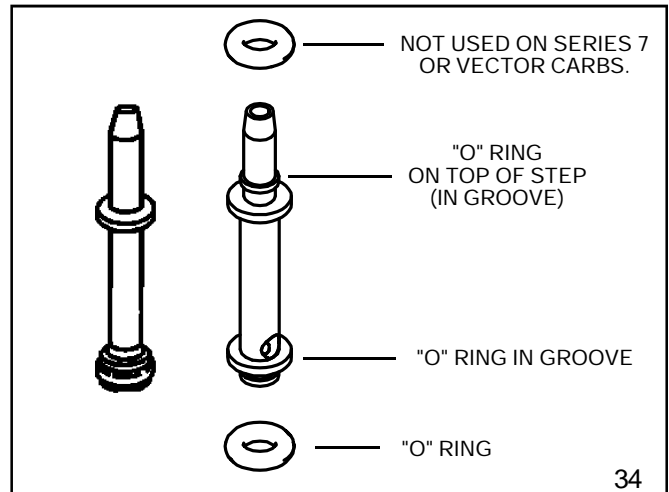
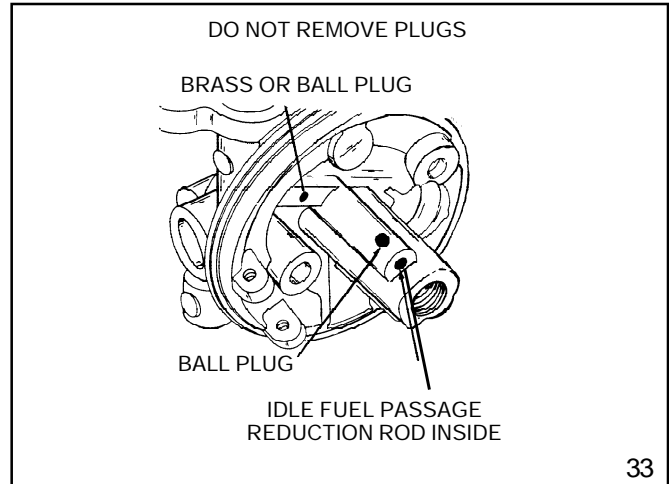
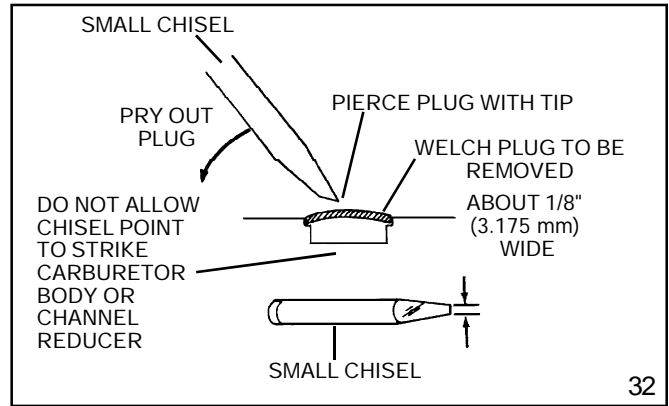
8. Remove all welch plugs if cleaning the carburetor. Secure the carburetor in a vise equipped with protective jaws. Use a small chisel sharpened to a 1/8" (3.175 mm) wide wedge point. Drive the chisel into the plug to pierce the metal, then push down on the chisel to pry the plug out of the hole (diag. 32).

**NOTE:** DO NOT REMOVE ANY BALL OR CUP PLUGS (diag. 33).

9. Note the direction of the inlet fitting. If necessary the inlet fitting can be removed. (See page 24).

10. The main nozzle on Series 8 and Series 9 carburetors can be removed by pressing the tube outward from the venturi thru the center leg. This nozzle is non-metallic and has an "O" ring seal on the top and bottom end of the tube. Do not remove a main nozzle that is made of brass from any Tecumseh carburetor. These are pressed in at the factory to a specific depth. When removing the nozzle, the top "O" ring may not come out with the tube. The "O" ring must be removed and placed on the nozzle before it is placed back into the center leg or it will not seal properly. (diag. 34)

The main nozzle on some Walbro carburetors are removable for service. If you remove it, a service nozzle with the under cut fuel passage must be installed or problems will occur (diag. 35).



## Diaphragm Carburetors

1. Remove the screws holding the diaphragm cover on.
2. Remove the cover, gaskets, and diaphragm noting or marking the sequence or location to aid in reassembly.

**NOTE:** If a "F" designation on the choke end of the carburetor is present, place the diaphragm on first, then the gasket and cover. If no "F" is present, the gasket goes first.

3. Note or mark the high and low mixture adjustment screws. Remove the screw assemblies.
4. Note or mark the action of the choke and throttle shutters and the hook points of the choke or throttle return spring or seal retainer springs located on the top of the choke or throttle shaft. Remove the throttle shutter, throttle shaft, choke shutter, springs and choke shaft by removing the screw or screws that attach the throttle or choke shutter to the shaft inside the air horn.
5. Use a 9/32" (7.144 mm) thin wall socket to unscrew and remove the inlet needle and seat assembly (diag. 36).
6. Note and mark the direction of the inlet fitting. If necessary the inlet fitting can be removed by pulling with a pliers or vise. Some diaphragm carburetors have a strainer as an integral part of the fuel fitting. If the strainer is lacquered or cannot be cleaned, the fitting must be replaced.

7. Remove all welch plugs if cleaning the carburetor. Secure the carburetor in a vise equipped with protective jaws. Use a small chisel sharpened to a 1/8" (3.175 mm) wide wedge point. Drive the chisel into the plug to pierce the metal, then push down on the chisel to pry the plug out of the hole.

**NOTE:** DO NOT REMOVE ANY BALL OR CUP PLUGS.

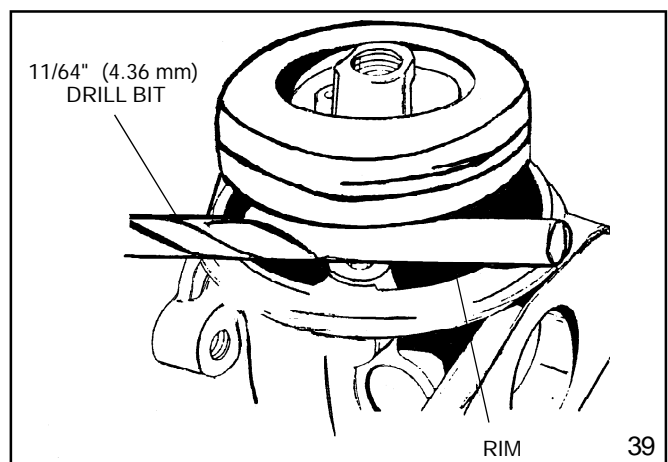
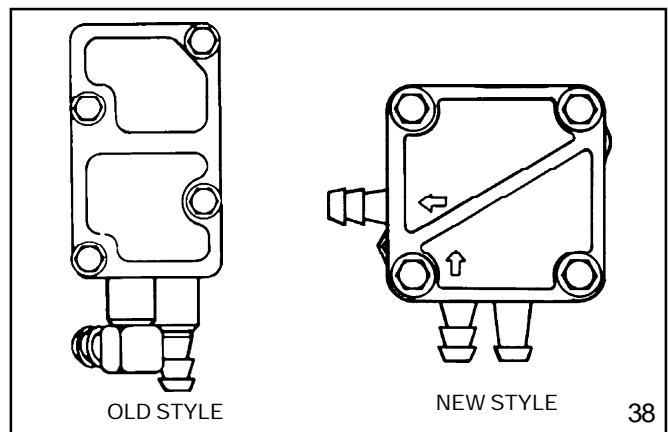
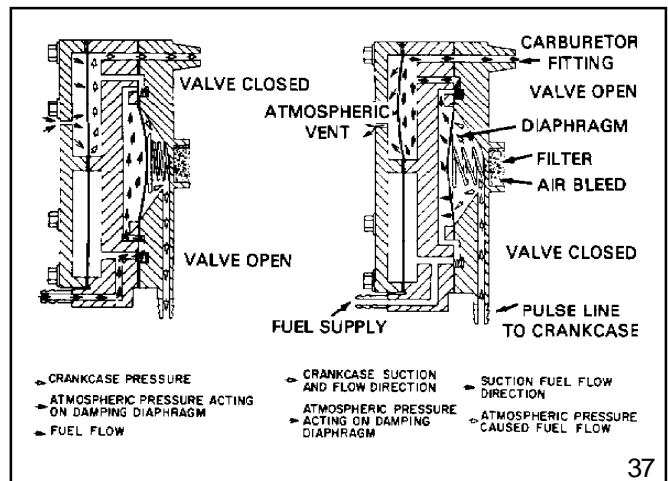
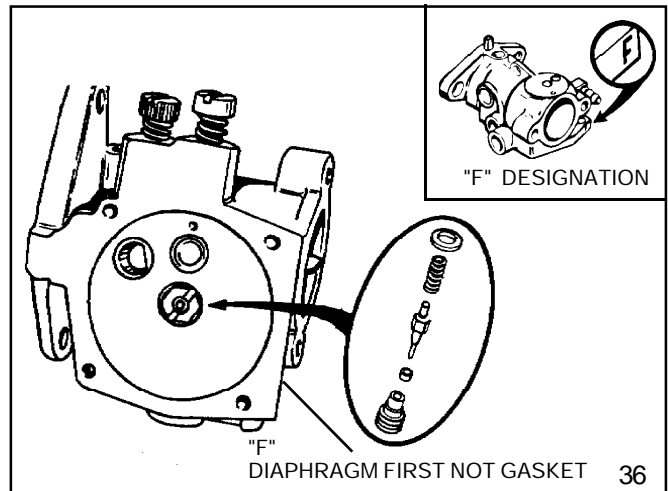
## IMPULSE FUEL PUMP

To service, disassemble the pump by removing the four (4) screws. Clean all parts with a solvent and install a new kit which consists of a coil spring, gaskets and diaphragms (diag. 37 & 38).

## FLOAT ADJUSTING PROCEDURE

All Tecumseh carburetors with an adjustable float require the correct float height to achieve the proper operation and easy engine starts. To check the float height, hold the carburetor in an upside down position. Remove the bowl nut, float bowl, and "O" ring. Place an 11/64" (4.36 mm) diameter drill bit across the top of the carburetor casting on the opposite side and parallel to the float hinge pin (diag. 39). The float must just touch the drill bit when the bit is flush with the edge of the float. If the float is too high or too low, adjust the height by bending the tab accordingly. If the required adjustment is minor, the tab adjustment may be made without removing the float and carefully inserting a small bladed screwdriver to bend the tab.

Float sticking can occur due to deposits or when the fuel tank is filled for the first time, this condition can be quickly corrected by loosening the carburetor bowl nut one full turn. Turn the bowl 1/4 turn in either direction, then return the bowl to its original position and tighten the bowl nut.



## INSPECTION

After careful disassembly of the carburetor and the removal of all non metallic parts, the carburetor body and all other metallic parts should be cleaned with solvent, or commercial carburetor cleaner, no longer than 30 minutes. Use compressed air and soft tag wire to clean internal carburetor passages. To do a proper cleaning job, the welch plugs must be removed to expose the drilled passages.

NOTE: The nylon check balls used in some diaphragm carburetors are not serviceable. Nylon can be damaged if subjected to harsh cleaners for prolonged periods.

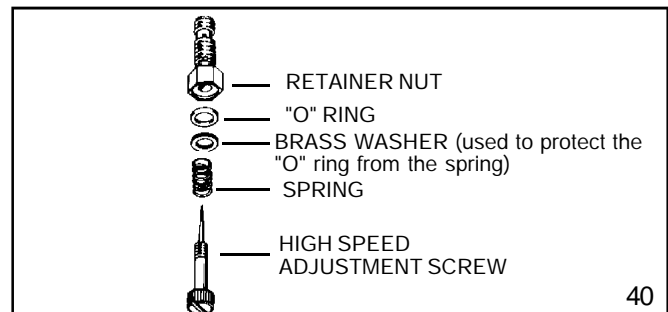
### Throttle and Choke

Examine the throttle lever and shaft, choke lever and shaft, and carburetor body at the bearing points and holes into which the linkage is fastened, and replace if worn or damaged. Any looseness in these areas can cause dirt to enter the engine and cause premature wear. If dust seals are present, these should be positioned next to the carburetor body.

### Idle and High Speed Mixture Adjusting Screw

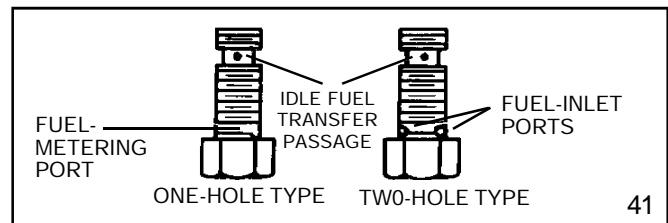
Examine the idle mixture needle tip and tapered surface for damage. The tip and tapered surface of the needle must not show any wear or damage at all. If either is worn or damaged, replace the adjusting needle. Tension is maintained on the screw with a coil spring. Examine and replace the "O" ring seal if damaged (diag. 40).

Examine the tapered surface of the high speed mixture needle. If the tapered surface is damaged or shows wear, replace the needle (non-emissioned). Some Tecumseh carburetors use serviceable jet main nozzles. These are identified as being non-metallic.



### Fuel Bowl Retaining Nut

The retaining nut contains the transfer passage or metering jet through which fuel is delivered to the high speed and idle circuit of the carburetor. If a problem occurs with the idle circuit, examine the small fuel passage in the annular groove in the retaining (metering) nut. This passage must be clean for the proper transfer of fuel into the idle metering circuit. Torque retaining nut to 50 in. lbs. (5.65 Nm) when reinstalling.



There are two different types of bowl nuts that are used on adjustable main, float style carburetors. One type has one fuel metering port at the bottom of the nut, and the other has two fuel inlet ports at the bottom of the nut. This difference relates to calibration changes to the carburetor and is dependent on the application (diag. 41).

**NOTE: DO NOT INTERCHANGE BOWL NUTS.**

The fuel inlet ports must be free of any debris to allow proper fuel flow.

### Fuel Bowl, Float, Needle and Seat

The float bowl must be free of dirt and corrosion. Clean with solvent or carburetor cleaner.

Examine the float for damage. Check the float hinge bearing surfaces for wear, as well as the tab that contacts the inlet needle. Replace any damaged or worn parts.

The needle and seat should be replaced if any fuel delivery problems are experienced (flooding or starvation). Sealing problems with the inlet needle seat may not be visible, so replacement is recommended.

### Diaphragms, Pulse Pumps, and Primer Bulbs

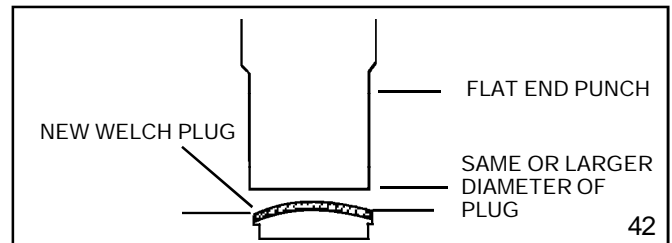
Inspect diaphragms, gaskets, and primer bulbs for cracks, tears, hardness or brittleness. Replace if necessary.



## ASSEMBLY

### Welch Plugs

To install a new welch plug after cleaning the carburetor, secure the carburetor in a vise equipped with protective jaws. Place the welch plug into the receptacle with the raised portion up. With a punch equal to, or greater than the size of the plug, merely flatten the plug. Do not dent or drive the center of the plug below the top surface of the carburetor. After installation of the welch plug, seal the outer diameter with finger nail polish or equivalent (diag. 42).



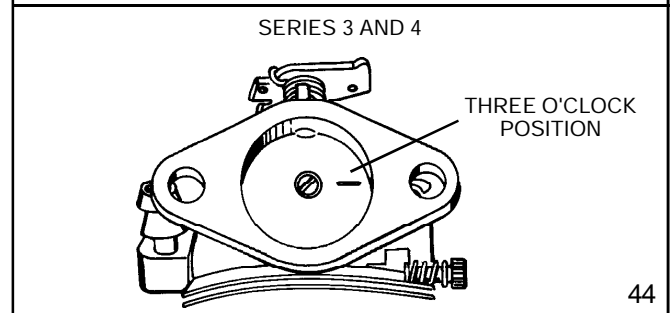
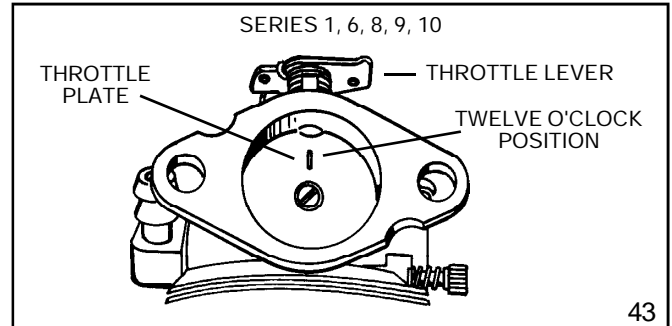
### Throttle Shaft and Plate

When reassembling, it is important that the lines or lettering on the throttle plate are facing out when in the closed position. Position throttle plate with two lines at 12 and 3 o'clock. If the throttle plate has only one line, the line should be positioned in the 12 o'clock position on Series 1, 6, 8, and 9 carburetors, and positioned in the 3 o'clock position on Series 3 and 4 carburetors (diag. 43 & 44).

Test the operation of the throttle and return spring (if equipped). If binding occurs, correct by loosening screws and repositioning throttle plate.

Always use a new screw(s) when reinstalling the throttle shutter (Tecumseh screws are treated with dry-type adhesive to secure them in place).

**NOTE: NEVER REUSE OLD SCREWS.**



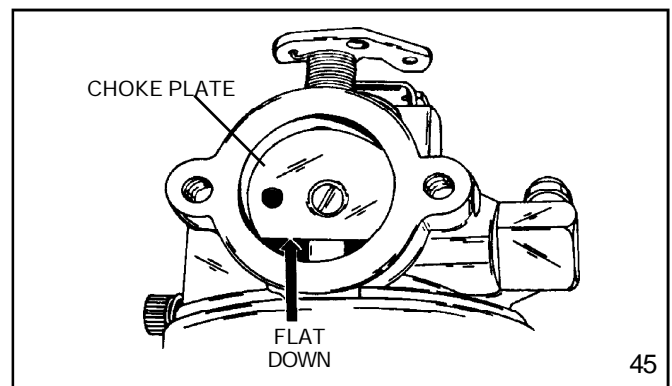
### Choke Shaft and Plate

The choke plate is inserted into the air horn of the carburetor in such a position that the flat surface of the choke is down. Choke plates will operate in either direction. Make sure it is assembled properly for the engine. Test the operation of the choke and return spring function if equipped (diag. 45).

Always use a new screw(s) when reinstalling the choke shutter as the screws are treated with dry-type adhesive to secure them in place.

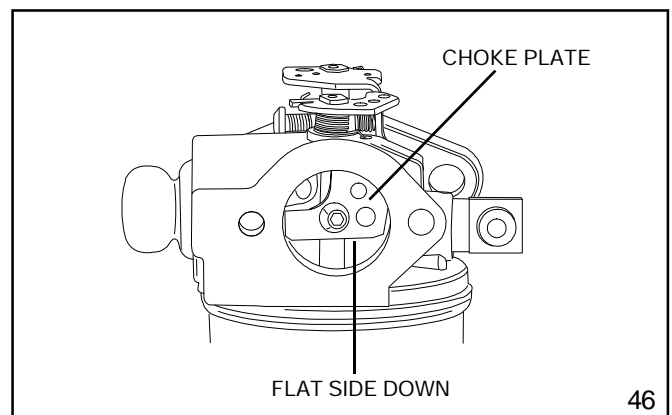
**NOTE: NEVER REUSE OLD SCREWS.**

The choke shaft and plate must be in the closed position prior to tightening the screws. Hard starting may be due to insufficient choking action because of a misaligned choke plate. Correct by readjusting the choke plate to close completely. Note the cut-out position of choke shutter if applicable.



### Fuel Inlet Fitting

Support the carburetor body with a wood block to avoid damage to other parts. Use a bench vise or press to install the fitting squarely. Insert the tip into the carburetor body, coat the exposed portion of the shank with Loctite grade A, then press it in until the shoulder contacts the carburetor body.



## High and Low Speed Adjusting Screw, Main Nozzle

When reassembling, position the coil spring on the adjusting screws, followed by the small brass washer and the "O" ring seal. Turn the high speed adjustment screw in approximately one turn into the bowl retainer nut to make an assembly (diag. 47).

On 2-7 hp. engines that use carburetors which have the metering rod in the idle circuit (carburetor should rattle when shaking), make certain that the idle adjustment screw is installed when the carburetor is in an upright position or the needle will damage the metering rod, adjustment screw and carburetor casting.

Some carburetors are of the fixed main type and would not have a high speed adjusting screw.

## Inlet Needle and Seat

On float type carburetors, make sure the seat cavity is clean. Moisten the seat with oil and insert the seat with the grooved side down and away from the inlet needle. Press the seat into the cavity using a flat punch close to the diameter of the seat, making sure it is firmly seated (diag. 48).

The inlet needle hooks onto the float tab by means of a spring clip. To prevent binding, the long, straight end of the clip should face the air intake end of the carburetor as shown (diag. 49).

On diaphragm carburetors the inlet needle and seat assembly are installed by using a socket to tighten the assembly until seated.

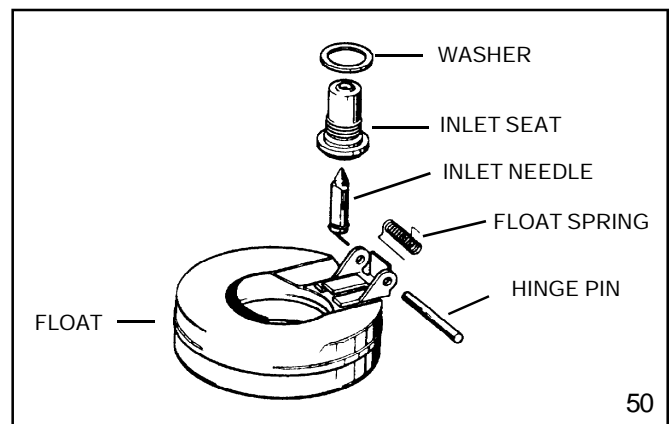
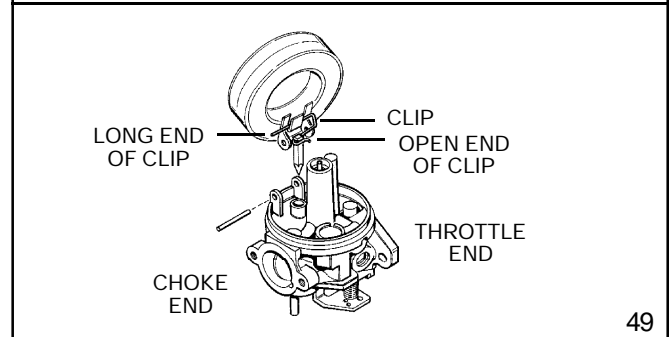
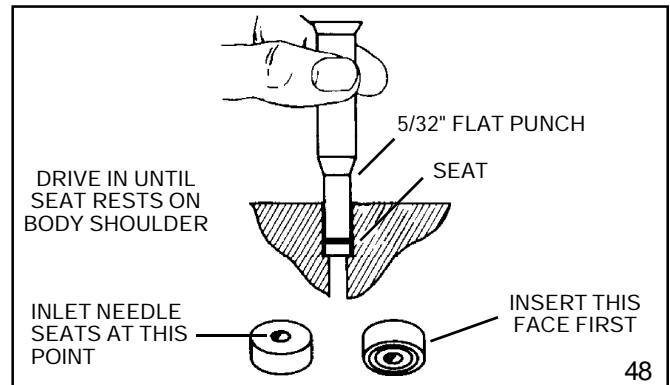
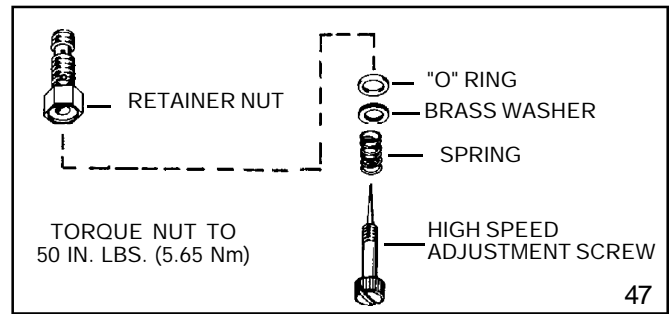
## Needle and Seat Pop-Off Test

To test the pop-off pressure, remove the carburetor from the engine. Be sure to drain any fuel into an approved container. Invert the carburetor and remove the float bowl. Place a drop of an oil based product such as WD-40 on the tip of the needle valve. Using a commercially available 0-30 psi pump and gauge, attach the pumps hose to the carburetor inlet. Apply approximately 6 psi or until the needle pops off the seat. The needle should seat at 1.5 psi or greater for a minimum of 5 minutes. If the minimum 1.5 psi cannot be maintained for this period of time, then service to the needle and seat is required.

## Float Installation

Reinstall the inlet needle and float into the carburetor. The long end of the spring or clip on the inlet needle must point toward the air intake end of the carburetor. If a float dampening spring is used, reassemble using the following steps (diag. 50).

1. Place the float upside down.
2. Position the spring on the float with the long end around and to the back side of the float's center back tang. The ends must point toward the choke end of the carburetor. Hook the inlet needle clip on the inside float tang so the clip end points to the choke end of the carburetor (diag. 50).
3. Place the float, float spring, clip and inlet needle in position between the hinge legs of the carburetor. As the float assembly nears the hinge legs, wind the outside end of the spring so it goes to the outside of the leg (counterclockwise looking from the choke end).



4. Install the hinge pin from the opposite hinge leg. The bowl gasket must be positioned over the end of the spring (diag. 51).
5. Set the proper float height. See "Float Adjusting Procedure" in this chapter.

### Diaphragm Assembly

The rivet head on the diaphragm must always face toward the inlet needle valve. On carburetors with an "F" cast into the carburetor flange as illustrated, the diaphragm goes next to the carburetor body. Other diaphragm carburetors have the gasket located between the diaphragm and carburetor body. Install the cover retaining screws and tighten (diag. 52).

### Fuel Bowl And Bowl Nut

Whenever a carburetor bowl is removed for service, the fuel bowl "O" ring **must be replaced**. For easier installation, lubricate the "O" ring with a small amount oil.

Install the float bowl by placing the detent portion opposite of the hinge pin. Make sure the deepest end of the bowl is opposite of the inlet needle. The bowl has a small dimple located in the deepest part. The purpose of this dimple is to minimize the chances of the float sticking to the bottom of the bowl caused by stale fuel (diag. 53).

On some fixed jet (non-adjustable) and adjustable carburetors, a fibered washer is required between the carburetor bowl and the bowl retaining nut.

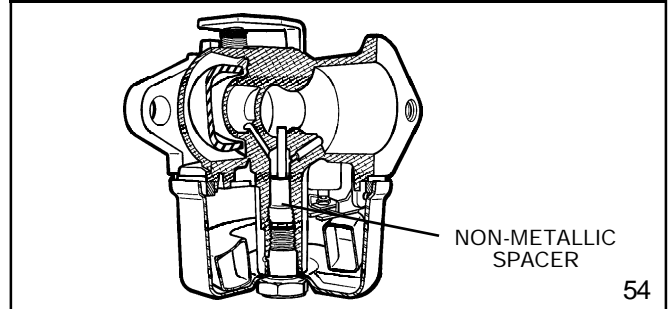
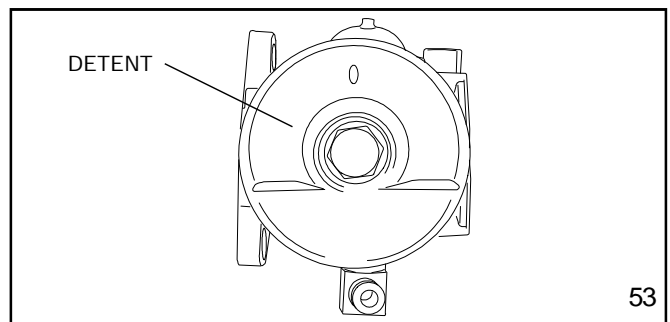
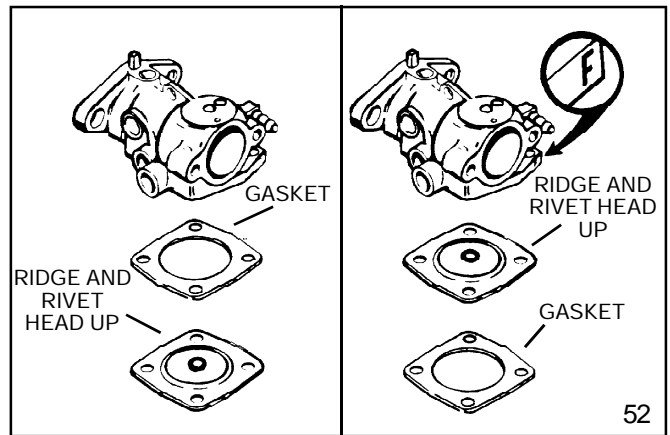
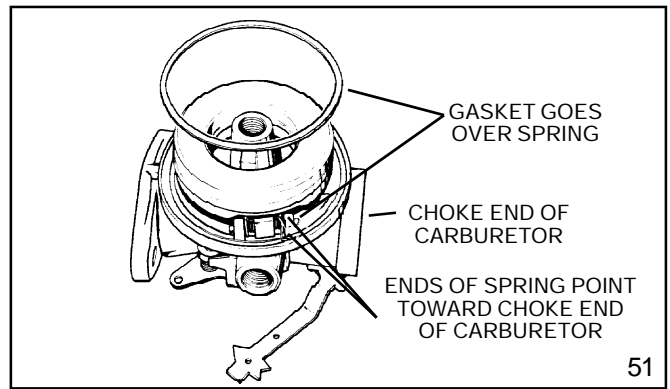
Occasionally, on engines equipped with the dual system carburetor, some rich starting conditions have occurred when the engine is warm. This condition can be corrected by inserting a non-metallic spacer in the center leg of the carburetor, as shown (part # 632158). This spacer is designed to reduce the amount of prime charge in the main nozzle area for better starting under warm engine conditions. It can only be used on Dual System carburetors and does not lean out the carburetor mixture. (diag. 54) This spacer must be reinstalled if originally equipped in the carburetor.

### Impulse Fuel Pump

The diaphragms must be installed against the center body with the gaskets against the outside covers. The parts are designed so they cannot be misassembled without damage (diag. 54).

To test the unit, assemble the carburetor to the engine, leaving the fuel line from the pump off. Use a different fuel tank remotely placed above the carburetor to provide gravity fuel flow to the carburetor inlet to run the engine while testing the pump. Make sure fuel is available in both fuel tanks and that the original fuel tank's fuel line is connected to the fuel pump inlet. Place the pump outlet line in a proper draining receptacle. With the pulse line connected from the engine crankcase to the pump and the engine running, a definite fuel flow should result at the pump outlet.

If the flow is erratic or intermittent, the pump needs repair or replacement.



51

52

53

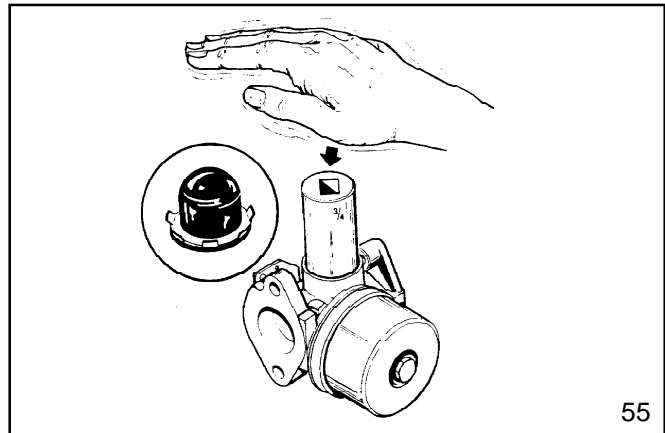
54

## Primer Bulb

To install, start the retainer and bulb into the casting with the retainer tabs pointed out. Firmly push the bulb and retainer into position using a 3/4" (19.05 mm) deep well socket (diag. 55).

## Final Checks

Before reinstalling a newly overhauled carburetor, pre-set the main mixture adjustment screw, the idle mixture adjustment screw and the idle speed adjustment screw. See "Pre-sets and Adjustments" in this chapter.



## STANDARD SERVICE CARBURETORS

Tecumseh supplies some replacement carburetors on which parts from the old carburetors can be reused or new parts added. This Standard Service Carburetor helps to reduce dealer inventories.

Standard Service Carburetors are built in both float and diaphragm versions.

The parts from the original carburetor that are necessary to make a standard service carburetor are: choke shaft, shutter and spring, throttle lever and spring, fuel fitting, idle adjustment screw and spring. If any or all of these old parts are worn or damaged, replace each part with a new service part to assure proper function and prevent engine damage. Use the diagrams on the next page as a guide to facilitate the correct installation of parts (diag. 57 & 58).

## Fuel Fitting

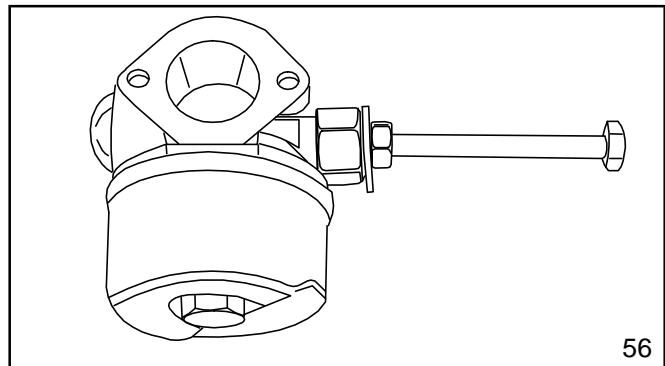
**NOTE:** MOST SERVICE CARBURETORS ARE MARKED "SVC CARB NF" IN THE PRICE LIST. THIS MEANS THAT THE CARBURETOR COMES WITH NO FUEL FITTING.

Use the parts manual to obtain the same fuel inlet fitting that was installed in the original carburetor. Install the fuel fitting in the new carburetor body in the same position as on the original carburetor. Support the carburetor body with a wood block to avoid damage to other parts. Use a bench vise or press to install the fitting squarely. Press it in until it bottoms out.

**NOTE:** PRESS FUEL FITTING IN SQUARELY USING CAUTION SO THAT THE CARBURETOR BODY IS NOT DAMAGED.

## Inlet Fuel Fitting

To remove a leaking or damaged fuel inlet fitting, use a 1/4" (6 mm) bolt, 1/4" (6 mm) nut and 1/4" (6 mm) washer, along with a 1/2" (12 mm) nut. Use a pliers or vise to remove the plastic part of the inlet fitting. Tap the inside of the remaining metal portion of the fitting using a 1/4"- 20 (6 mm) tap. Place a 1/2" (12 mm) nut over the fuel fitting (it may be necessary to guide one side of the nut to seat it squarely to the carburetor). Next thread the 1/4" (6 mm) nut on the bolt until it contacts the shank, add the washer, and thread the bolt into the fitting until snug. Tighten the 1/4"- 20 (6 mm) nut until the fitting is removed. (diag. 56)



## Choke Shaft

**NOTE:** Never reuse choke or throttle shutter screws, always replace with new Tecumseh service screws.

Remove the choke shutter screw from the original carburetor and remove the choke shaft. Observe the position of the ends of the choke return spring if one is present. Also observe the position of the cut-out and/or holes in choke shutter. Some chokes turn clockwise and some turn counterclockwise, note the position of the choke shaft prior to removal from the old carburetor.

If a choke stop spring is present on the new carburetor and is not used on the old carburetor, cut it off with a side cutter or pull it out using a pliers.

Test the action of choke shaft to make sure it moves freely and easily and does not bind in either open or closed position. If binding occurs, loosen the shutter screw; reposition the shutter and tighten the screw.

## Throttle Lever

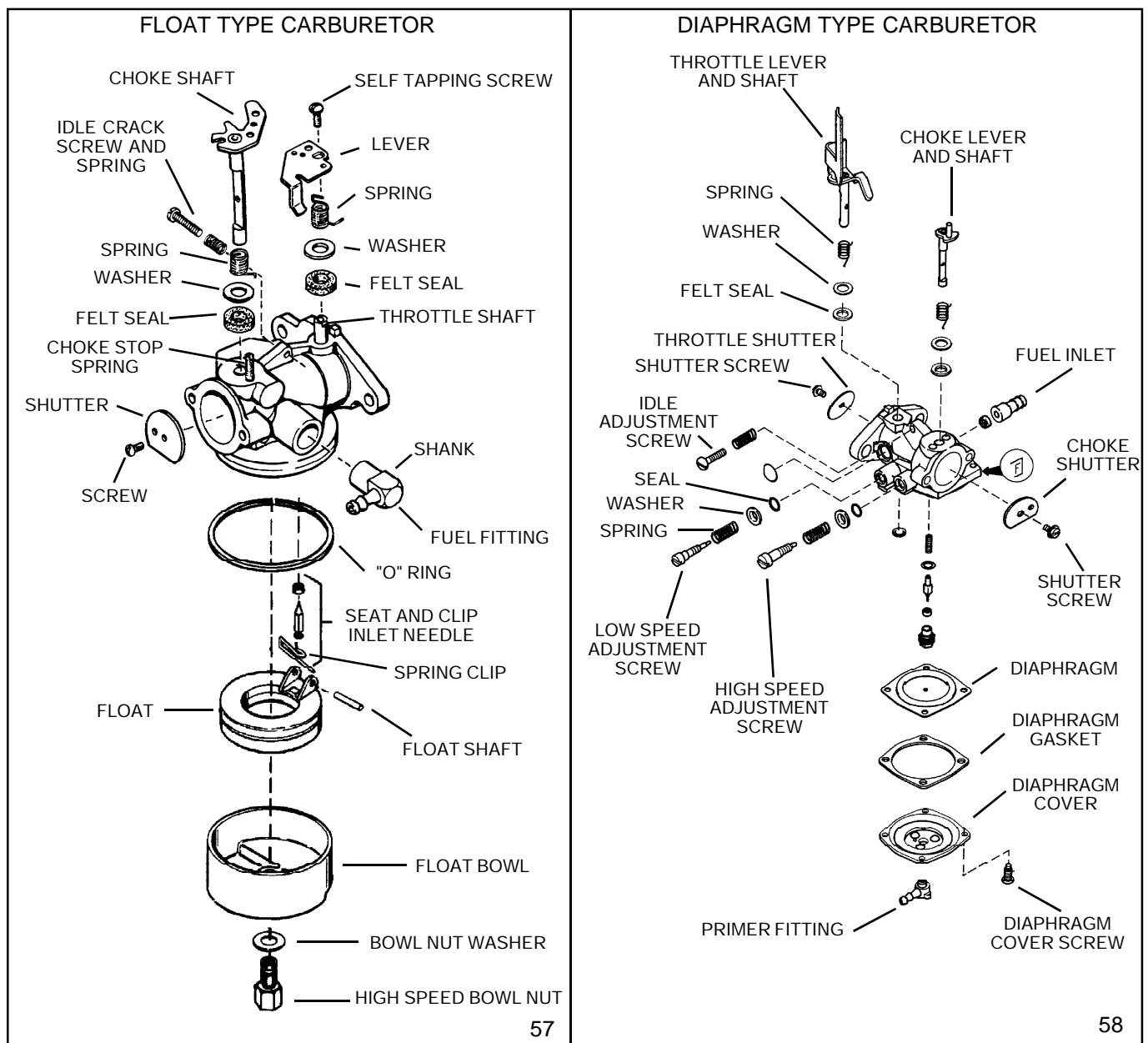
Remove the throttle lever and spring and file off the peened end of the throttle shaft until the lever can be removed. Install the throttle spring and lever on the new carburetor with the self-tapping screw furnished. If dust seals are furnished, install them under the return spring.

## Idle Speed Adjustment Screw

Remove the screw assembly from the original carburetor and install it in the new carburetor. Turn it in until it contacts the throttle lever. Then an additional 1-1/2 turns for a static setting.

## Final Checks

Consult the service section under "Pre-sets and Adjustments" and follow the adjustment procedures before placing the carburetor on the engine.



# CHAPTER 4 GOVERNORS AND LINKAGE

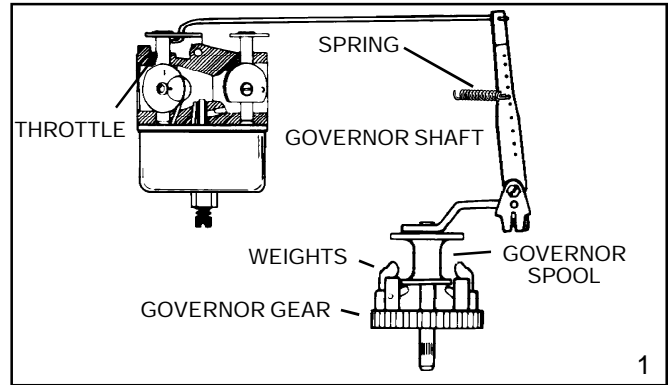
## GENERAL INFORMATION

This chapter includes governor assembly and linkage illustrations to aid in governor or speed control assembly.

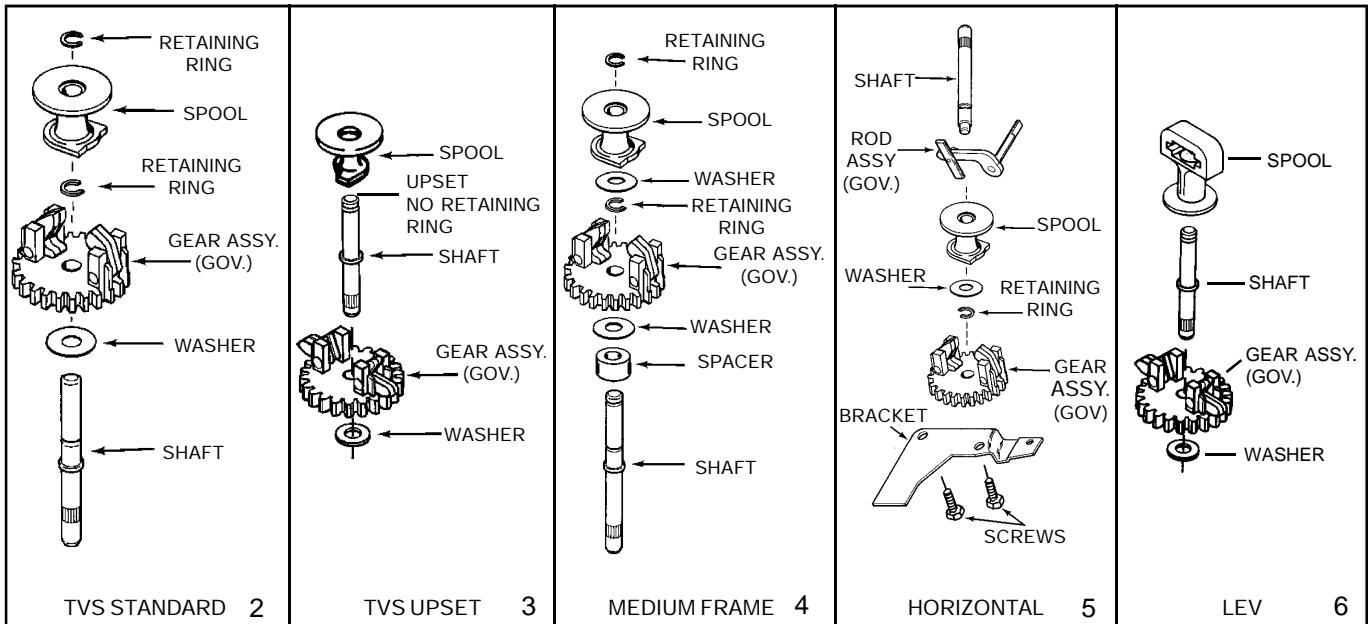
Tecumseh 4 cycle engines are equipped with mechanical type governors. The governor's function is to maintain a constant R.P.M. setting when engine loads are added or taken away. Mechanical type governors are driven off the engine's camshaft gear. Changes in engine R.P.M. cause the governor to move the solid link that is connected from the governor lever to the throttle in the carburetor. The throttle is opened when the engine R.P.M. drops and closes as the engine load is removed.

## OPERATION

As the speed of the engine increases, the governor weights (on the governor gear) move outward by centrifugal force. The shape of the governor weights force the governor spool to lift. The governor rod maintains contact with the governor spool due to the governor spring tension. As the spool rises, the governor rod rotates, causing the attached outer governor lever to pull the solid link and close the throttle opening. When the engine speed decreases, the lower centrifugal force allows the governor weights to be pulled in by the governor spring. As the spool lowers, the governor rod rotates and the solid link pushes the throttle to a more open position (diag. 1).



## INTERNAL COMPONENTS (VARIOUS STYLES)



## TROUBLESHOOTING

Engine problems where the governor is suspected to be the cause, may actually be the result of other engine system problems. Hunting (engine R.P.M. surging up and down) indicates that the engine is incapable of maintaining a constant R.P.M. with or without an engine load. Engine overspeeding (either with or without throttle movement) must be corrected immediately before serious engine damage occurs. Use the following procedure to diagnose a suspected governor problems.

## ENGINE OVERSPEEDING

1. If the engine runs wide open (faster than normal), shut the engine off **immediately**.
2. Check the condition of the external governor shaft, linkage, governor spring, and speed control assembly for breakage, stretching or binding. Correct or replace binding or damaged parts.
3. Follow the governor adjustment procedure and reset the governor - see "Service" in this chapter.
4. Run the engine. Be ready to shut the engine off if an overspeed problem still exists. If the problem persists, the engine will require disassembly to inspect the governor gear assembly for damage, binding, or wear.
5. See Chapter 9 under "Disassembly Procedure" to disassemble the engine.
6. Remove the governor gear assembly. Repair or replace as necessary.

## ENGINE SURGING

1. Try to stabilize the engine R.P.M. by holding steady the solid link between the governor arm and the carburetor throttle, using a pliers or fingers.
2. If the engine R.P.M. stabilizes, the governor or governor adjustment should be checked. See "Service" governor adjustment procedure in this chapter. If the engine R.P.M. does not stabilize, the engine will require additional checks, see Chapter 9 under "Troubleshooting".
3. If the problem persists after the governor adjustment, check the engine R.P.M. found on microfiche card # 30. The R.P.M. settings are critical. If the R.P.M. setting for high and low speed are within specification and a slight surge is experienced, increasing the engine idle R.P.M. setting slightly may eliminate this condition.
4. Check the governor shaft or linkages for binding, wear, or improper hookup. Check the governor spring for adequate tension. Repair or replace as necessary.

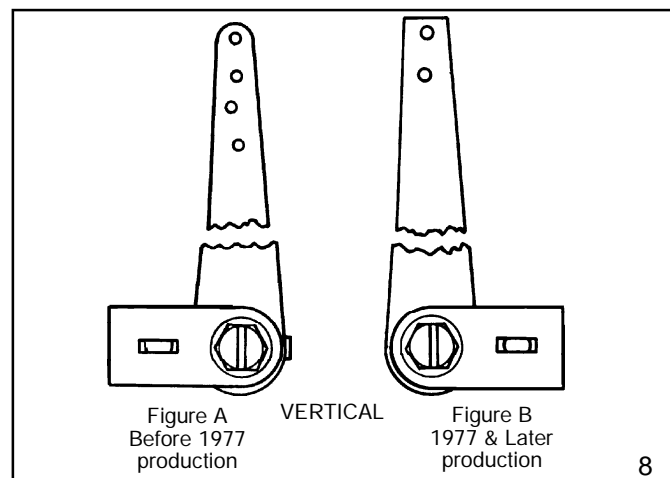
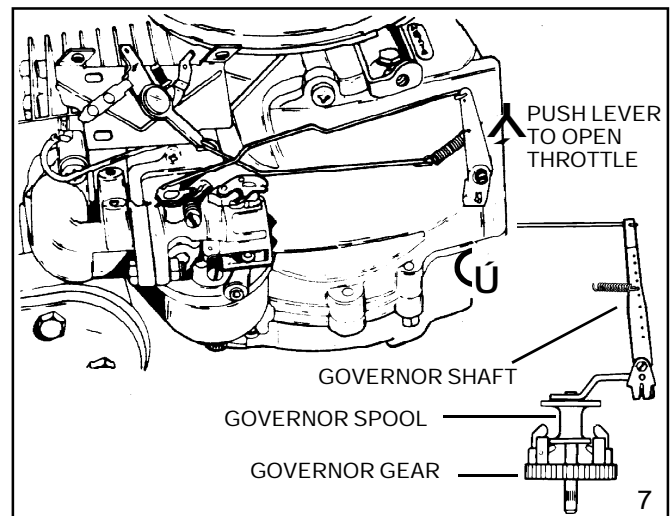
## SERVICE

### GOVERNOR ADJUSTMENT

With the engine stopped, loosen the screw holding the governor clamp on the governor lever. Rotate the clamp in a direction that will force the throttle shaft open and allow the governor follower arm to rest on the governor spool. Push the governor lever connected to the throttle to the wide open throttle position. Hold the lever and clamp in this position while tightening the screw (diag. 7).

### GOVERNOR ADJUSTMENT PROCEDURE FOR SHORT BLOCK INSTALLATIONS

Short block installation on 3-5 h.p. vertical shaft engines built prior to 1977 may require the governor clamp (tinnerman style) to be repositioned to work properly. The clamp must be removed from the governor rod and turned to the same position as the original engine. Hook the solid link and spring to the governor lever and position the clamp on the governor rod. Follow the above governor adjustment procedure to complete the short block governor set-up. Units built after 1977 use the normal governor set up procedure. (diag. 8)



## GOVERNOR GEAR AND SHAFT SERVICE

After the cylinder cover is removed from the engine, the governor spool, gear, or governor shaft can be removed. On older style governor assemblies, the retaining ring must be removed to allow the spool or gear to slide off the shaft. Newer style governor shafts (3 - 6.75 model engines) use an upset to hold the governor spool on. If the gear requires replacement, the governor shaft will have to be removed.

### Governor Spool Replacement With Upset Style Governor Shaft

The spool can be replaced without removing the governor shaft. Grip the original spool in a vise and use a twisting and pulling motion on the flange until the spool is free.

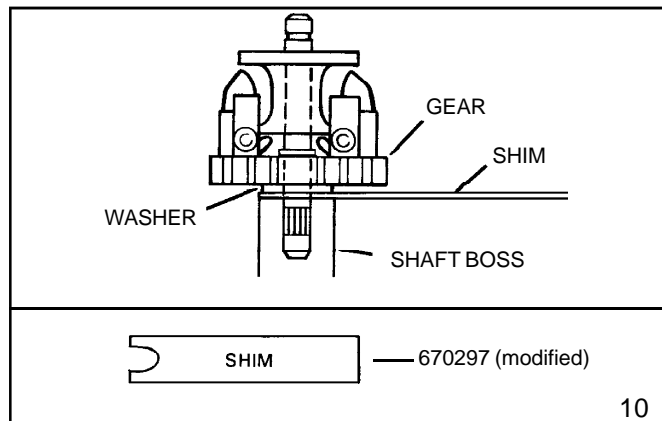
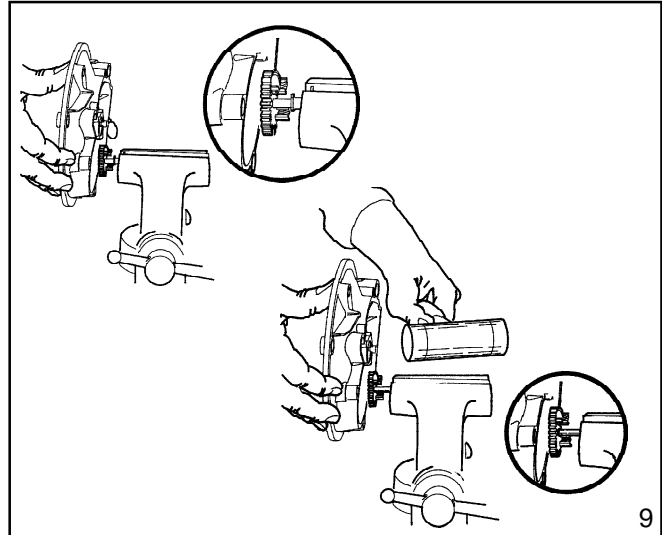
Install the new spool by starting it on the shaft and then turning the flange over. This will allow the weights to hang in the proper position. Place the spool on a solid surface and push on the flange until the spool seats. The governor weights must be in position under the spool after installation. (diag. 9)

### Governor Gear or Shaft Replacement, Upset Style Governor Shaft

1. Grip the original spool in a vise and use a twisting and pulling motion on the flange until the spool is free.
2. Clamp the shaft in a vise and pound gently on the flange with a wooden or plastic mallet to remove the shaft.

**NOTE: DO NOT TWIST THE SHAFT WHEN REMOVING. THE SHAFT BOSS MAY BECOME ENLARGED, LEAVING THE NEW GOVERNOR SHAFT LOOSE AND CAUSING SEVERE DAMAGE.**

3. To install a new shaft, first assemble the gear and washer on the shaft. Start the shaft into the hole with a few taps from a soft faced hammer.
4. Place the flange in a press with a solid piece supporting the area below the shaft boss. Press the shaft in until a shim, part # 670297 just becomes snug [.010 - .020 (.254 - .508 mm) clearance].



### Governor Shaft Replacement, Retaining Ring Style

1. Remove the retaining ring, spool, gear assembly, and washers.
2. Clamp the shaft in a vise and pound gently on the flange with a wooden or plastic mallet to remove the shaft.

**NOTE: DO NOT TWIST THE SHAFT WHEN REMOVING. THE SHAFT BOSS MAY BECOME ENLARGED AND THE NEW GOVERNOR SHAFT WILL BE LOOSE AND MOVE.**

3. Start the new shaft into the shaft boss by tapping with a soft faced hammer.
4. Refer to the chart at right for the proper shaft exposed length. Add a drop of red Loctite 271 and press the governor shaft to the proper depth using a press or a vise. Wipe the extra Loctite off after installation (diag. 11).
5. Reassemble the governor and install the retaining ring.

ENGINE MODEL	EXPOSED SHAFT LENGTH
ECH90 ECV100 H 30, 35 HS 40, 50 LAV 35 LEV (all) OHH (all) OVRM (all) TNT 100, 120 TVS (all)	Mounting flange to Top 1.319 - 1.334" (33.502 - 33.883 mm)
TVM (all) V 50, 60, 70 VH 50, 60, 70	Mounting flange to Top 1.581 - 1.596" (25.806 - 26.314 mm)
HH 100, 120 VH 100	Mounting flange to Top 1.016 - 1.036" (25.806 - 26.314 mm)
H 50, 60, 70 HH 60, 70 HHM80 HM 70, 80, 100	Mounting flange to Shoulder 1.283 - 1.293" (32.588 - 32.842 mm)



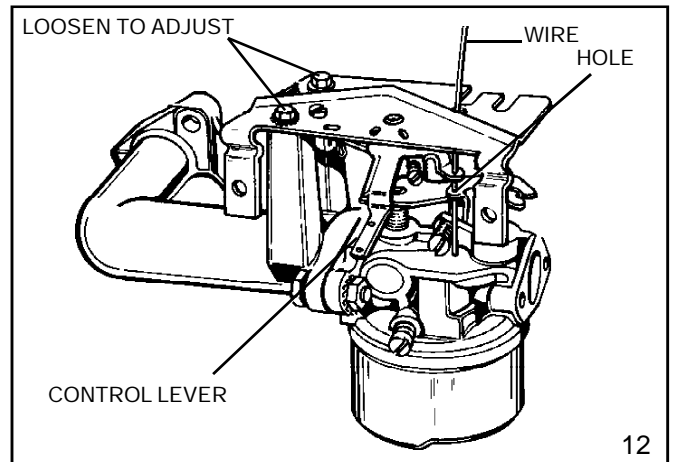
## SPEED CONTROLS AND LINKAGE

Many different types of speed controls and linkage are used for O.E.M. applications. Linkage attachment points are best recorded or marked prior to disassembly. This assures the correct placement during reassembly. On vertical shaft engines the solid link is always connected from the outermost hole in the governor lever to the throttle in the carburetor. The link with the governor spring attached is connected between the control lever and the lower hole in the governor lever. Horizontal engines use one location (non-adjustable) speed control brackets. Most vertical engines use an adjustable speed control bracket mounted above the carburetor. The ignition ground out switch, idle R.P.M. and high speed R.P.M. adjustment screws are located on the speed control bracket. Some models use the idle R.P.M. adjustment on the carburetor.

Most vertical shaft engines must have the speed control bracket aligned when installing. To align the control bracket, use the following steps.

1. Loosen the two screws on the top of the panel.
2. Move the control lever to full wide open throttle position and install a wire or aligning pin through the hole in the top of the panel, the hole in the choke actuating lever, and the hole in the choke (diag. 12).
3. With the components aligned, tighten the two screws on the control panel.

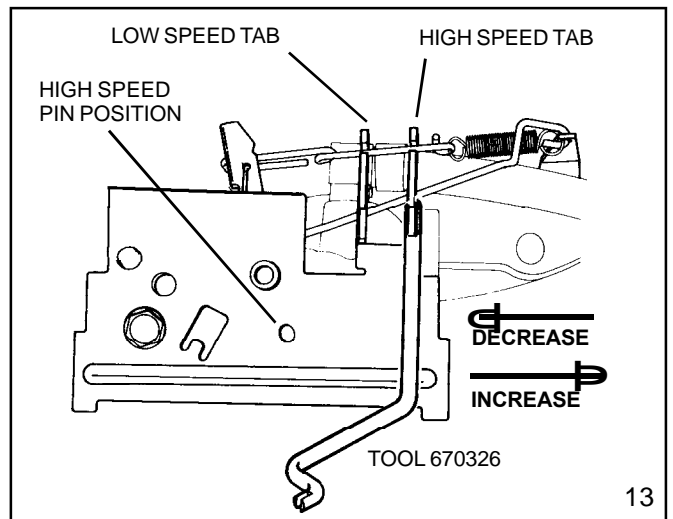
The following pages illustrate common linkage attachment. Whenever the carburetor or the governor linkage is removed or replaced, the engine R.P.M.'s should also be checked. Use microfiche card #30 or the computer parts look-up system for the correct R.P.M. settings for the engine model and specification.



## SNAP IN "STYLE SPEED CONTROL"

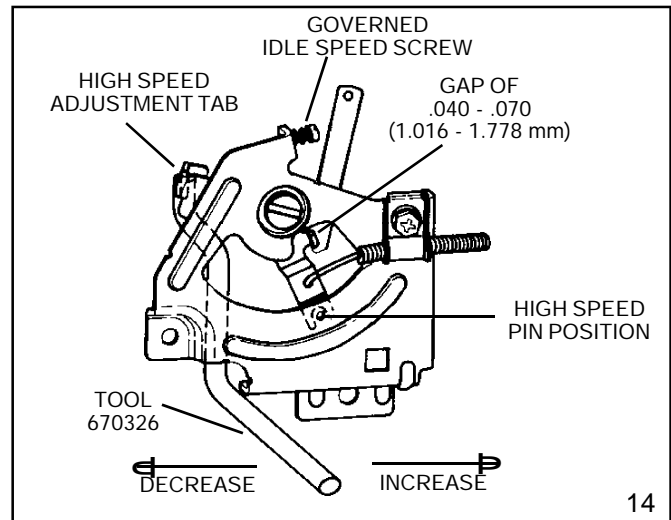
This style of speed control is used on 3 - 6.75 model rotary mower engines and is adjusted by two bendable tabs. Use the speed adjustment tool (part # 670326) as illustrated in diag.13 to adjust engine speed.

To adjust high speed, move the speed control lever to the high speed position and align the high speed pin holes. Place the adjustment tool on the high speed tab and move the tab to achieve the correct engine speed. Move the speed control lever to the low speed position, place the adjustment tool on the low speed tab and bend to either increase or decrease to the correct speed.



## ADJUSTING RPM ON MEDIUM FRAME VERTICAL SPEED CONTROL

This speed control is adjusted by aligning the slot in the speed control lever with the alignment hole on the mounting bracket. Place a pin through the two holes, place the equipment throttle control to the wide open position, hook the bowden cable end in the control as shown, and tighten the cable housing clamp. In this position, the gap of .040" - .070" (1.016 - 1.778 mm) should exist at the gap location as illustrated. This will assure that the carburetor will go into full choke when the control is placed in the start position.

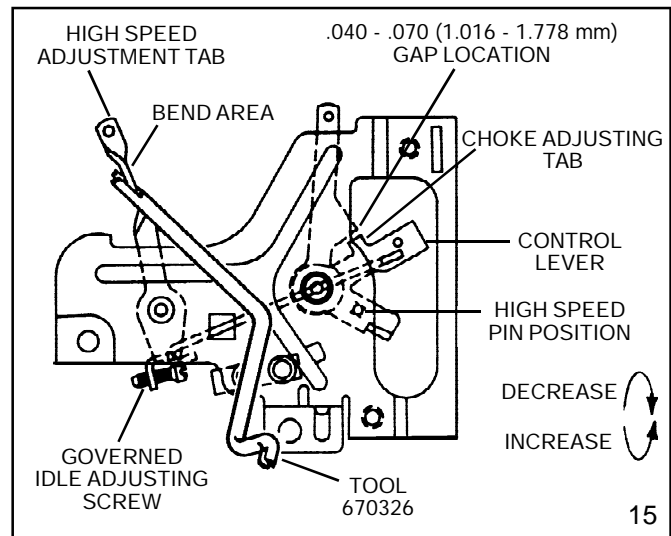


## ADJUSTING GOVERNED/NON-GOVERNED

With the engine running at its lowest speed, set the governed idle at the designated RPM by adjusting the governed idle screw or bending the idle tab. Next set the non-governed idle by pushing the bottom of the governor lever away from the control brackets so the throttle lever contacts the idle speed crack screw (on the carburetor). Hold the lever in this position and turn the crack screw to 600 RPM below the governed idle speed. This setting prevents the throttle plate from closing off when going from high speed RPM to low speed RPM. If improperly adjusted, the engine could experience an over lean condition.

The idle speed is adjusted by turning the idle speed screw clockwise to increase engine R.P.M. and counterclockwise to decrease R.P.M. Use tool part # 670326 to adjust the high speed engine R.P.M. Place the slotted end of the tool onto the adjustment tab and bend the tab to the left (toward the spark plug end) to increase engine R.P.M. (diag. 14).

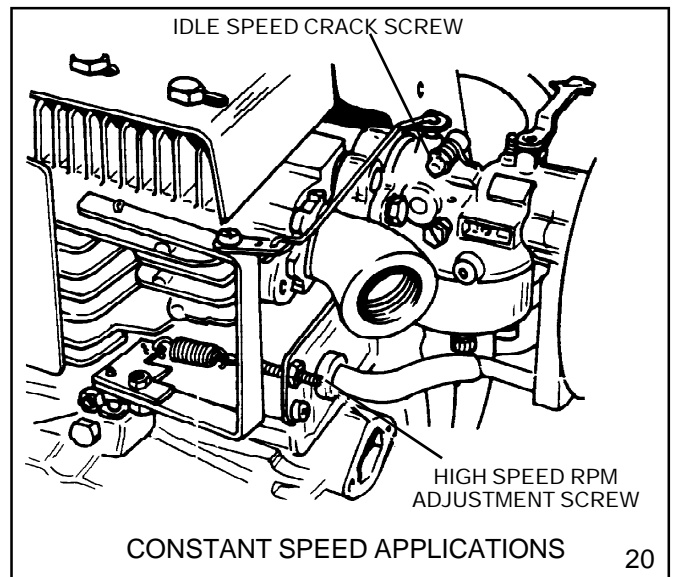
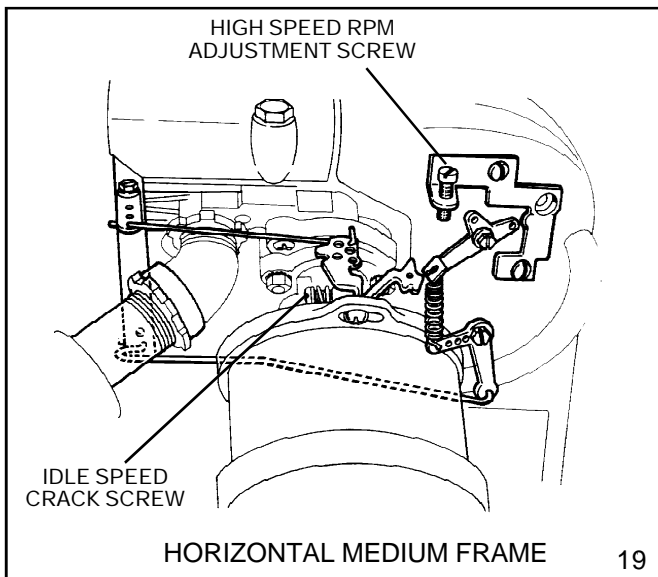
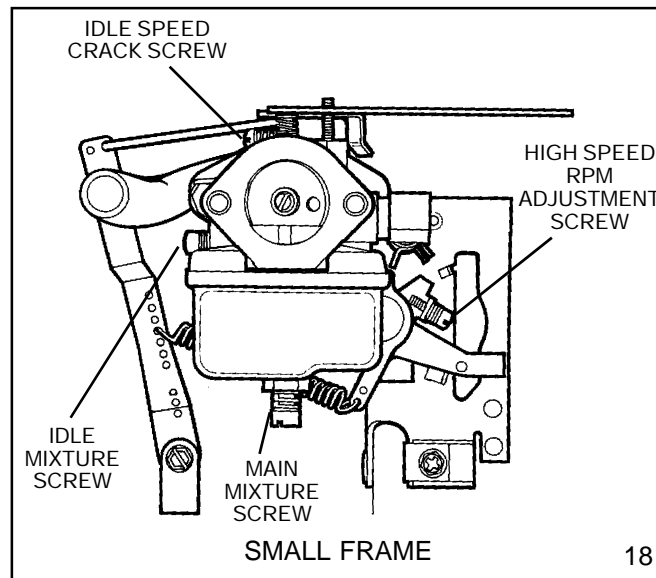
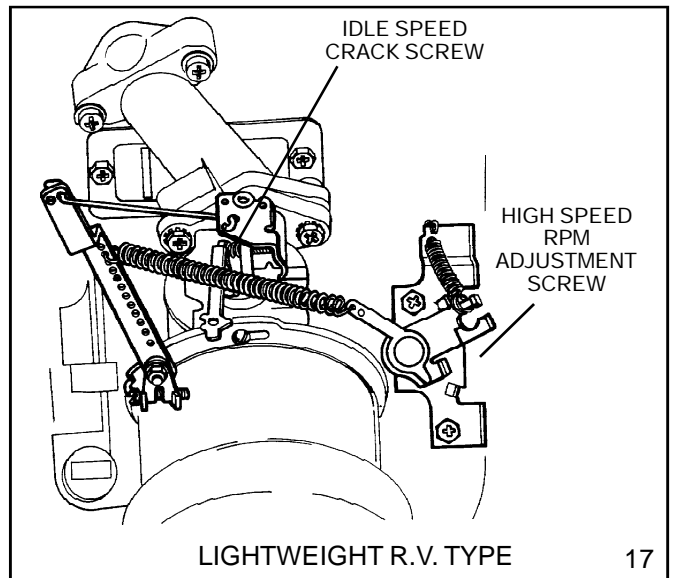
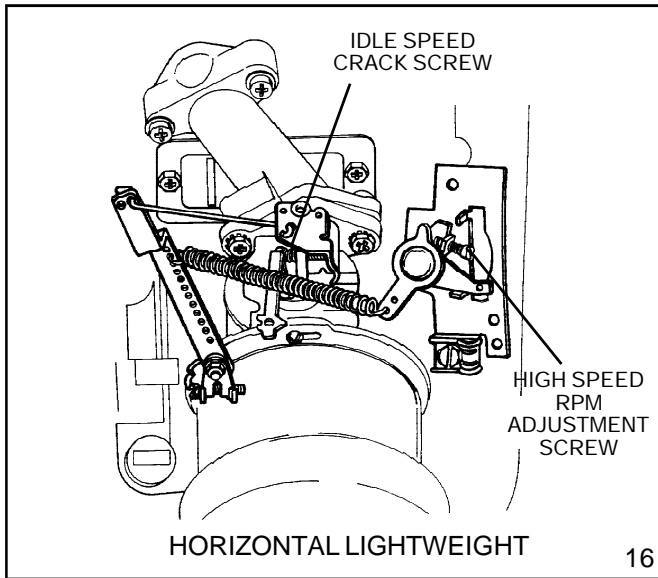
NOTE: Some engines use nylon bushings on the throttle and choke linkage hook-up points to extend the life of the linkage and to enhance the stability of the governor system. Make sure they are in good condition and in place.



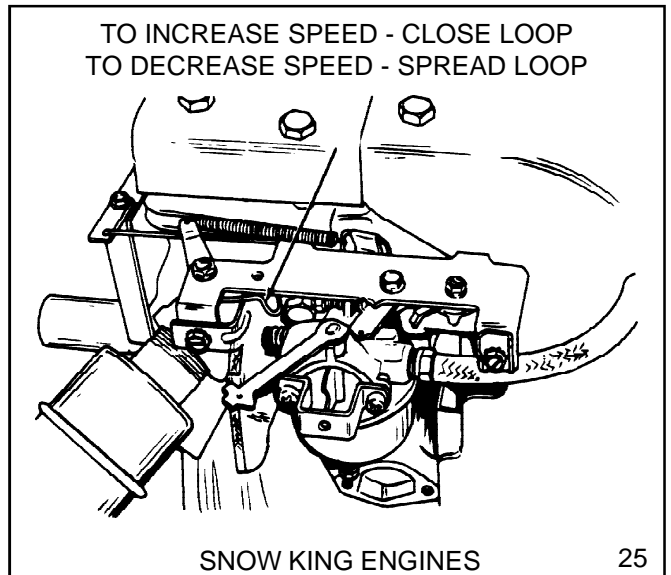
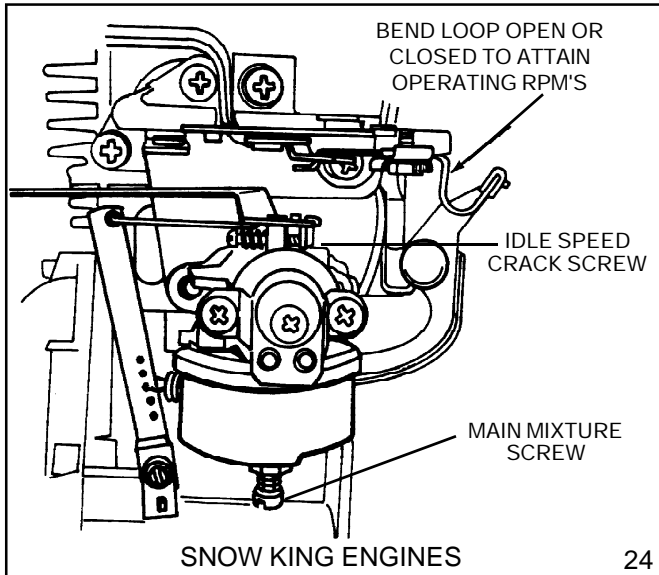
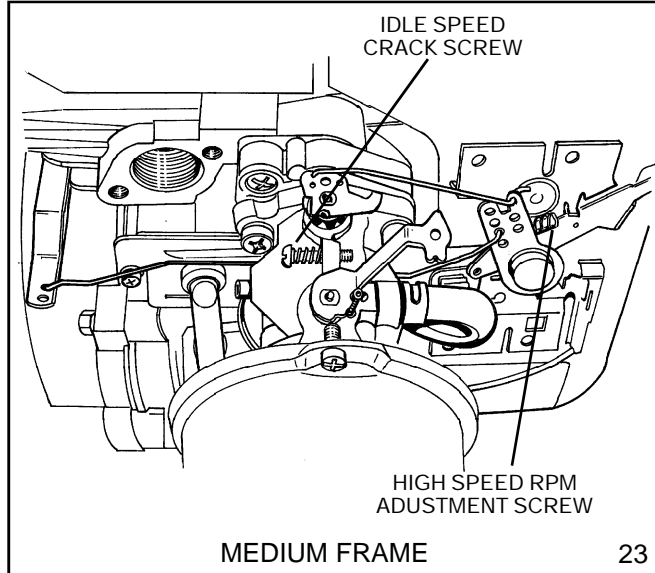
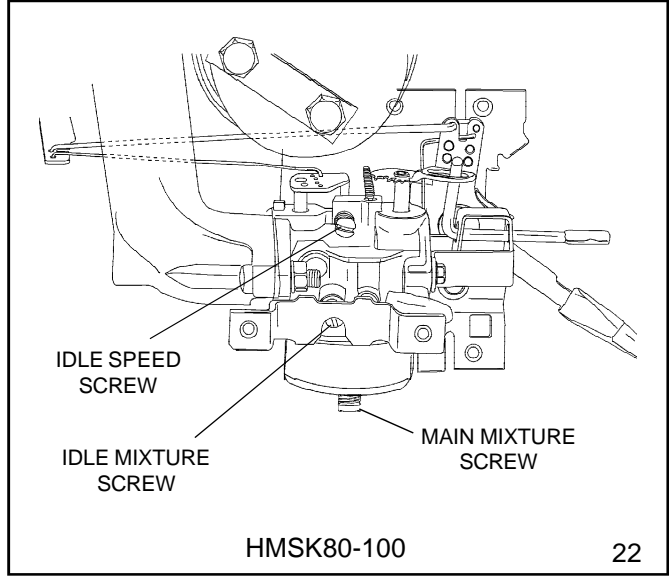
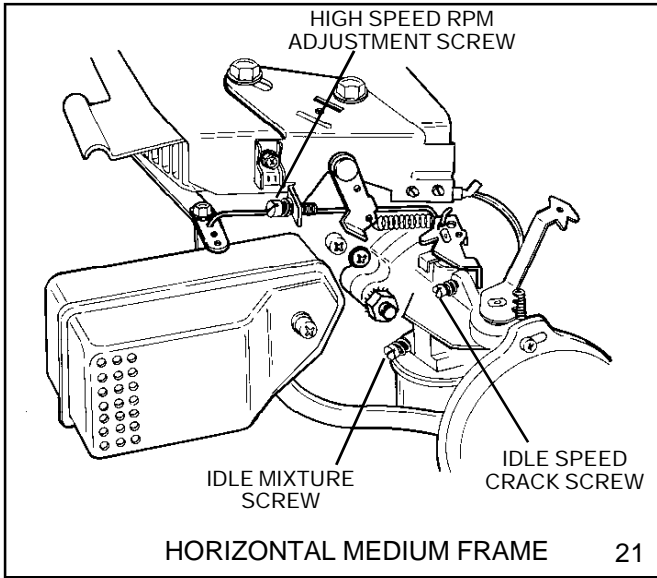
## ADJUSTING RPM ON MEDIUM FRAME VERTICAL (up/down speed control)

To adjust the high speed RPM on Medium Frame Vertical engines, move the control lever to the high speed pin position (align high speed pin holes in the speed control bracket). Place the slot on the straight end of tool (number 670326) onto the high speed adjustment tab as pictured. Rotate the bent end of the tool counterclockwise to increase RPM and clockwise to decrease RPM. (diag. 15).

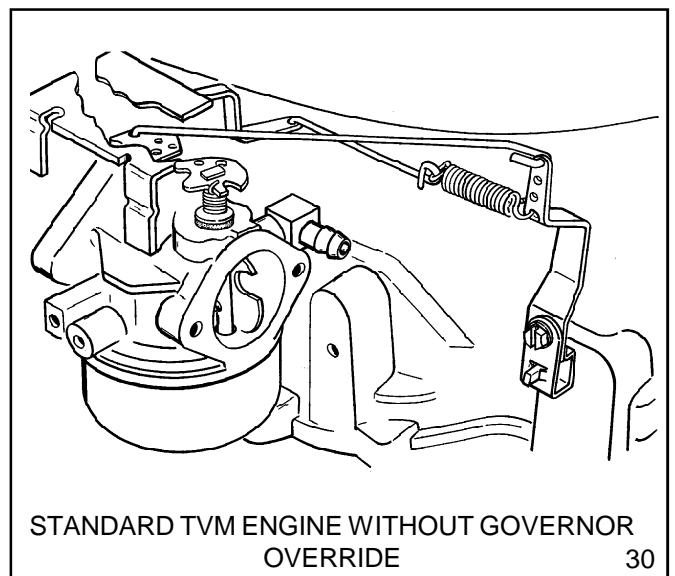
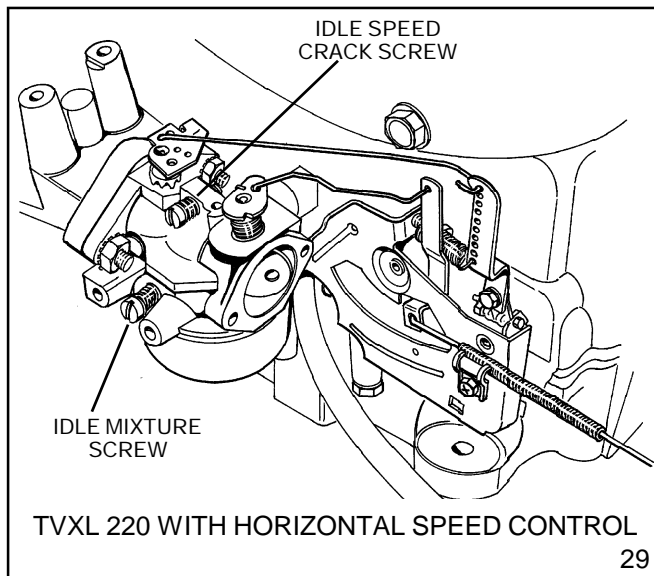
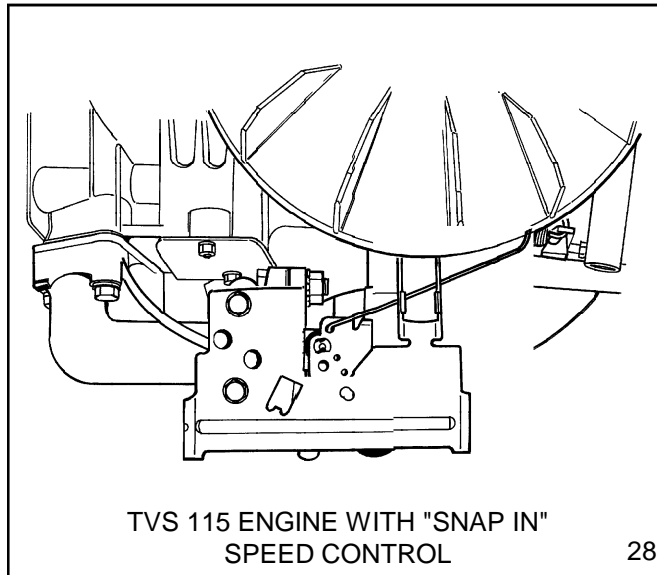
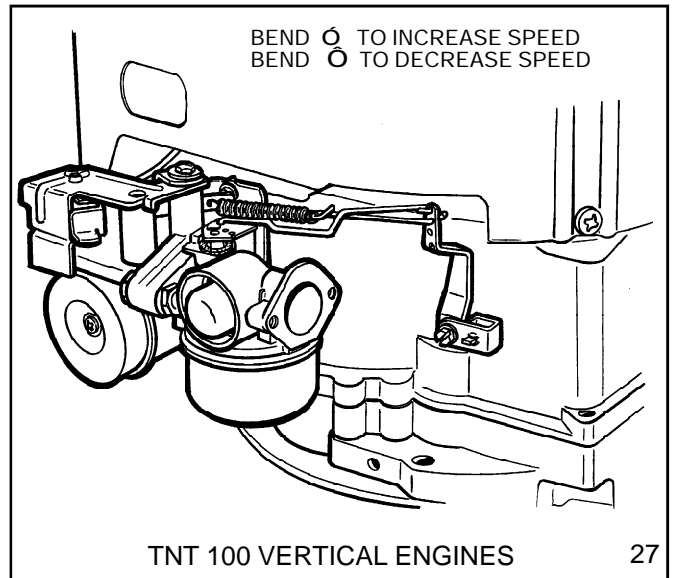
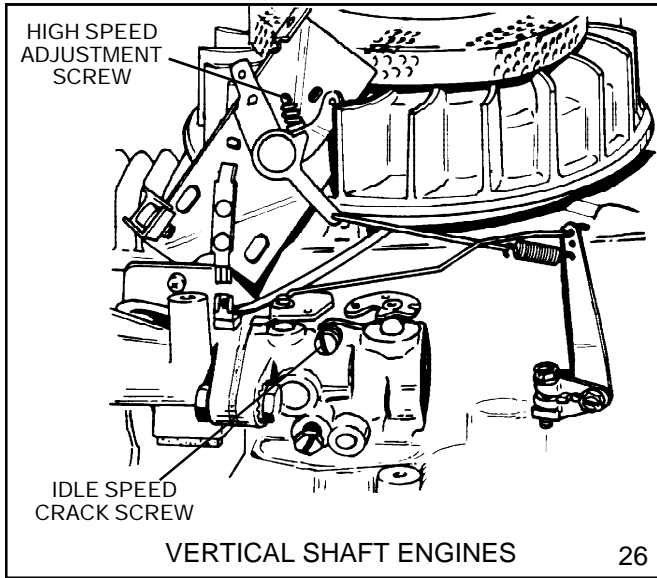
# HORIZONTAL SHAFT ENGINES



# HORIZONTAL SHAFT ENGINES (CONTINUED)



# VERTICAL SHAFT ENGINES

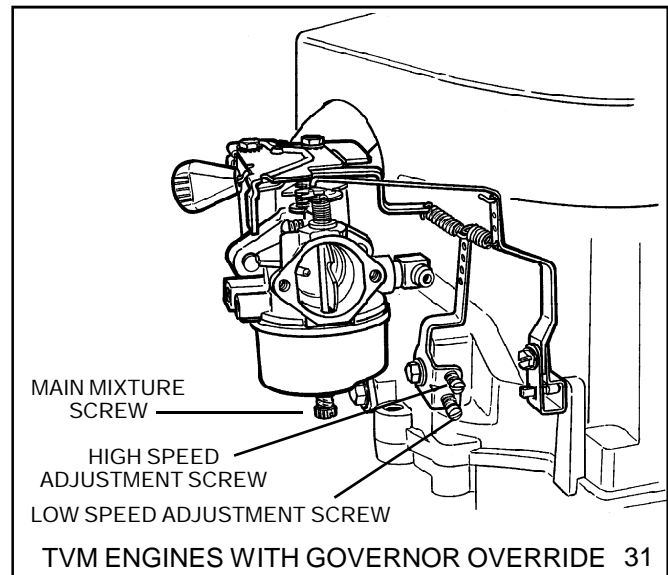


## GOVERNOR OVERRIDE SYSTEM FOR TVM170, 195 AND 220 ENGINES

This system will be found starting on 1985 production models, and will not retrofit onto older engines. It is designed to allow the governor to regulate the low and high speeds of the engine. The high speed is adjusted at the top screw of the override lever; to increase R.P.M. turn the screw out (counterclockwise), to decrease R.P.M. turn the screw in (clockwise). The low speed is adjusted at the bottom screw of the override lever; to increase R.P.M. turn the screw in or clockwise, to decrease R.P.M. turn the screw out or counterclockwise (diag. 31).

### GOVERNED / NON-GOVERNED IDLE

With the engine throttle set at its lowest speed, set the governed idle at the designated RPM by bending the idle RPM tab or adjusting a screw. Next set the non-governed idle by pushing the bottom of the governor lever away from the control brackets, so the throttle lever contacts the idle speed screw. Hold the lever in this position and turn the idle adjustment screw clockwise to increase or counterclockwise to decrease engine idle speed. The setting on the carburetor screw should be set 600 RPM below the governed idle setting. This setting prevents the throttle plate from closing when going from high speed RPM to low speed RPM. If improperly adjusted, the engine could experience an over lead condition.



# CHAPTER 5 REWIND STARTERS

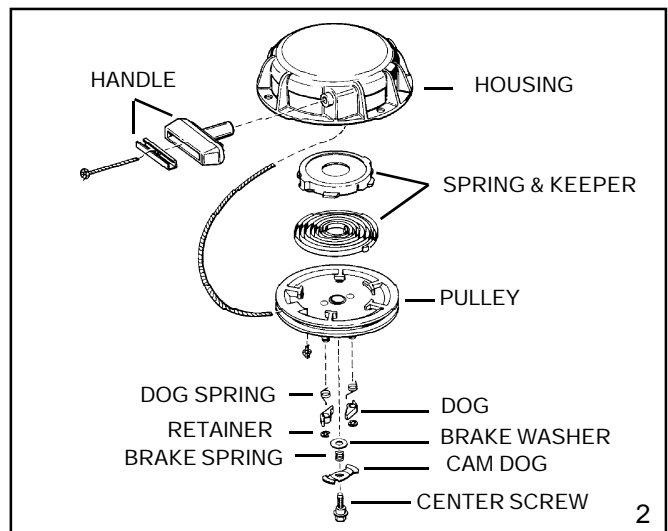
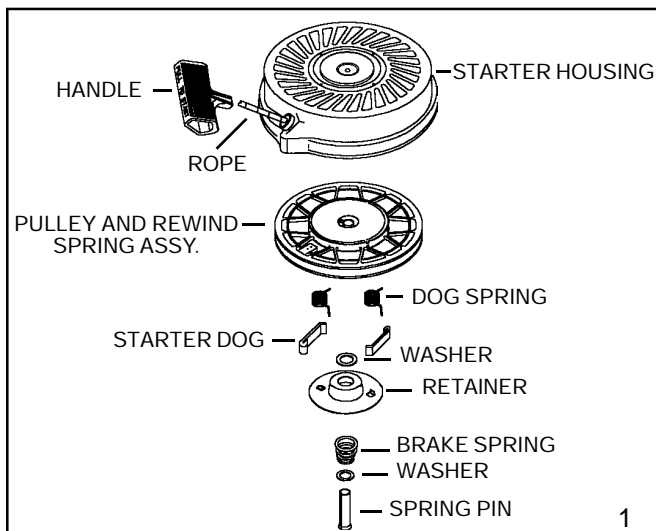
## GENERAL INFORMATION

Rewind starters used on vertical shaft Tecumseh engines are top mount horizontal pull style or side mount vertical pull style. Horizontal shaft engines use side mounted starters which can be mounted to pull either vertically or horizontally. All rewind starters except the vertical pull style turn the engine over by engaging a dog(s) into the starter cup attached to the engine flywheel. The vertical pull starter engages the starter gear into the ring gear of the flywheel to turn the engine over. All starters are spring loaded to retract the dog(s) or starter gear when the engine speed exceeds the turning speed of the starter.

## OPERATION

As the starter rope is pulled, the starter pulley rotates on the center pin. The starter dog(s) is pinned or pocketed in the pulley hub and extends outward when the pulley's rotation forces the starter dog(s) to contact the ears on the retainer. The retainer ears act as a ramp to fully extend the starter dog(s). The fully extended starter dog(s) locks in contact with notches in the starter cup. When the engine fires and the rotational speed of the starter cup exceeds the starter pulley, the starter dog(s) disengages from the starter cup. The starter dog spring(s) returns the starter dog(s) to the disengaged position. The recoil spring turns the starter pulley in the opposite direction, retracting the starter rope until the handle contacts the stop.

## COMPONENTS



## SERVICE

Starter related problems will require the starter to be removed from the engine to diagnose the cause. Visually inspect the starter dog(s), starter cup, retainer, springs, rope, washers, and the starter pulley for wear or breakage. Use one of the following procedures that applies to your application, to disassemble, repair, and assemble the starter. Always consult the Tecumseh Master Parts Manual for the correct replacement parts.

## ROPE SERVICE

Rope replacement should be done using the correct part number replacement rope or braided rope of the correct diameter and length. Consult the Tecumseh Master Parts Manual to obtain the correct part number, length, and size required. Use the following rope chart to convert a numbered rope to a fractional diameter for bulk rope use.

# 4 1/2 rope	=	9/64" (3.572 mm) diameter	Part No. 730526	100' (30.48 meters) spool
# 5 rope	=	5/32" (3.964 mm) diameter	Part No. 730514	100' (30.48 meters) spool
# 6 rope	=	3/16" (4.762 mm) diameter	Part No. 730516	100' (30.48 meters) spool

## Standard rope lengths

- 54" (16.5 meters) standard stamped steel starter
- 61" (18.6 meters) vertical pull - horizontal engagement type
- 65" (20 meters) vertical pull - vertical engagement type
- 85" (26 meters) extended handlebar rope start (compliance)

Check the old rope for the right length for the application. Some applications require longer lengths. The rope ends should be cauterized by burning with a match and wiping the rope end with a cloth while hot.

Rope replacement can be done without the starter being disassembled on vertical pull starters that have "V" notches in the bracket. Use the following procedure for rope replacement.

1. Remove the starter assembly from the engine.
2. Turn the pulley until the staple in the pulley lines up with the "V" notch. Pry out the staple with a small screwdriver and remove the original rope (diag. 3).
3. Turn the pulley counterclockwise to fully wind the starter return spring until tight. Allow the pulley to unwind until the hole in the pulley lines up with the "V" notch.
4. Hold the pulley in this position and feed the new rope through the hole and tie a left-handed knot on the rope end. Make sure the rope and knot do not protrude from the knot cavity and bind the pulley rotation.

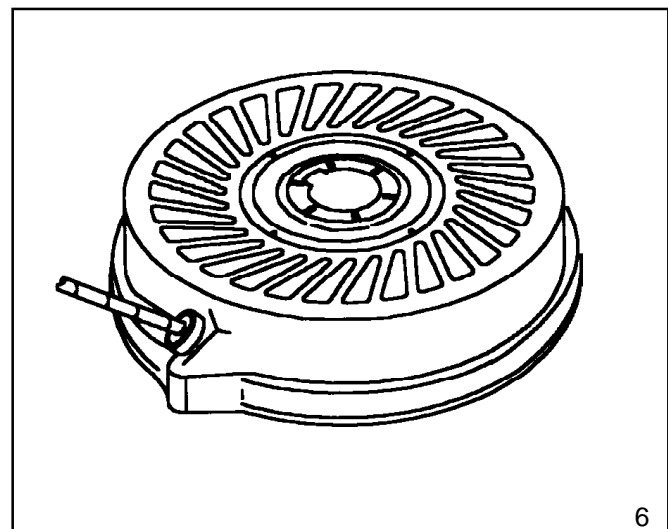
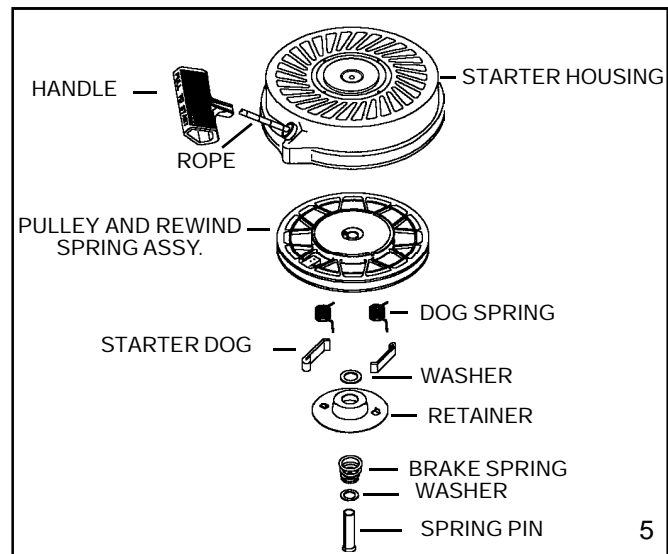
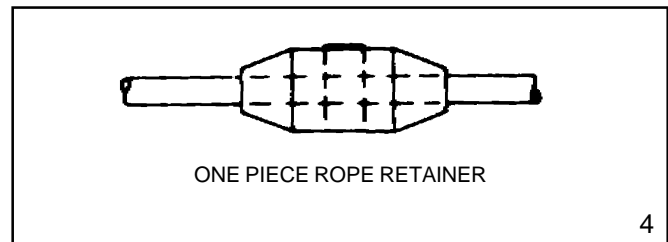
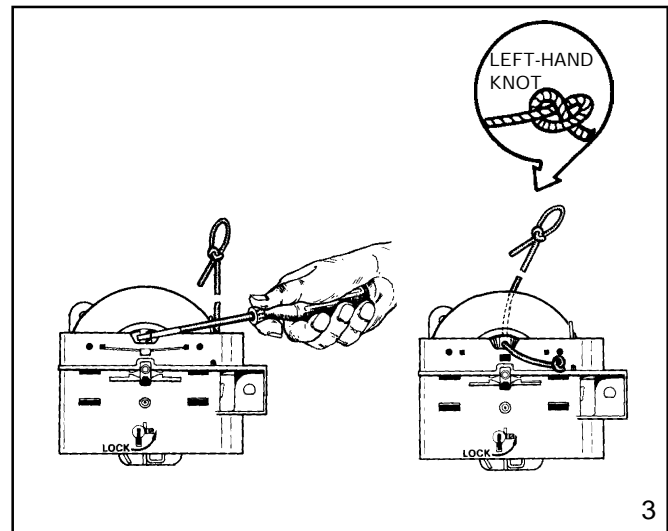
## RETAINER REPLACEMENT (DIAGRAM 4)

1. Remove the starter handle if the retainer is a complete circle design. Remove the staple and old retainer.
2. Slide the rope retainer into the proper position and insert the staple using a pliers.
3. Install the starter handle and tie a left hand knot to secure the handle.

## STYLIZED REWIND STARTER (TVS, HM, TVM, TVXL), AND STAMPED STEEL STARTER (HM, VM, TVM, TVXL)

### Disassembly Procedure

1. After removing the rewind assembly from the engine blower housing, release the tension on the rewind spring. This can be done by removing the starter handle and carefully allowing the rope to unwind in the starter housing assembly.
2. Place a 1" (25 mm) deep well socket under the retainer. Set the rewind on a bench, supported on the socket.
3. Use a 5/16" (7.938 mm) or 1/4" (6.35 mm) (for stamped steel) roll pin punch to drive out the center pin. The stamped steel center pin is driven out from the top, inside the center hole. Move the punch around while driving the pin to help keep the pin straight.







**CAUTION: THIS REWIND SPRING IS NOT SECURED IN A CANISTER. PULLEY BOSSES HOLD THE REWIND SPRING AND COVER, AND CAN BE EASILY DISLODGED DURING HANDLING.**

4. Remove the brake spring, spring retainer, washers, and pulley assembly (diag. 7, 8, 9 & 10)

**NOTE: THE STARTER DOGS FACE OUT ON THE STAMPED STEEL STARTER AND THE DOGS FACE IN ON THE STYLIZED REWIND STARTER.**

5. All components in need of service should be replaced.

## Assembly Procedure

**NOTE:** It is critical to support the starter on a deep well socket to prevent damage.

1. Reverse the disassembly procedure. The starter dogs with the dog springs must snap back to the center of the pulley (disengaged position). When the rope is pulled, the tabs on the retainer must be positioned so that they will force the starter dogs to engage the starter cup. (diag. 7 & 8)
2. Always replace the center spring pin with a new one upon reassembly. Place the two new plastic washers between the center leg of the starter and the retainer. New plastic washers are provided with a new center spring pin. Discard the old plastic washer.
3. Place the rewind on a flat surface and drive the new center pin in until it is within 1/8" (3.175 mm) of the top of the starter.

**NOTE: DO NOT DRIVE THE CENTER PIN IN TOO FAR.**

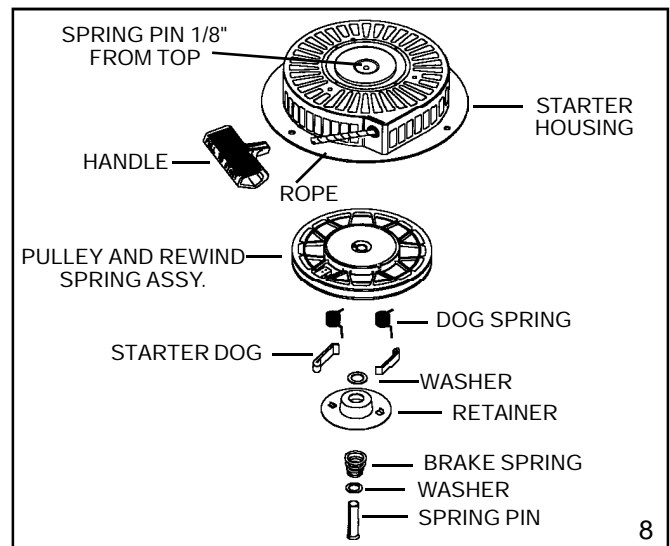
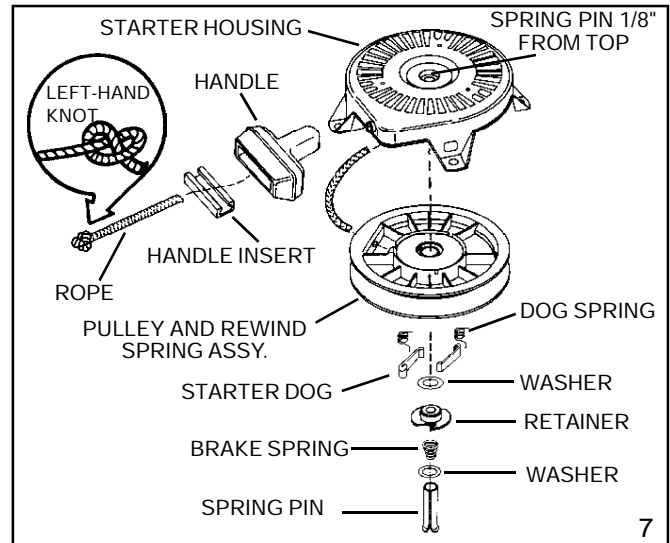
The retainer will bend and the starter dogs will not engage the starter cup. On the stamped steel starter the center pin should be driven in until it contacts the shoulder in the starter body.

4. Wind the starter pulley counterclockwise four or five turns to pre-load the recoil spring, thread the rope through the starter housing eyelet and tie a temporary knot in the rope. Reattach the starter handle to the rope using a left-hand knot. Untie the temporary knot and allow the rope to recoil.

## STYLIZED REWIND STARTER WITH PLASTIC RETAINER

### Disassembly Procedure

1. After removing the rewind assembly from the engine blower housing, remove the starter handle by first pulling a length of rope out using the handle, tying a temporary knot in the exposed rope, and either untying the knot in the handle or prying out the staple.
2. Untie the temporary knot and slowly allow the rope to fully retract into the starter housing and the recoil spring to fully unwind.
3. Remove the decal from the center of the starter housing.
4. Use a small Phillips screwdriver or similar tool to pry the retainer legs apart and lift out the retaining wedge (or steel clip on newer style starters).
5. Pinch the legs of the retainer together and pull on the head of the retainer to remove it from the housing.
6. Remove the pulley assembly from the recoil housing.
7. Repair or replace as necessary.



## Assembly

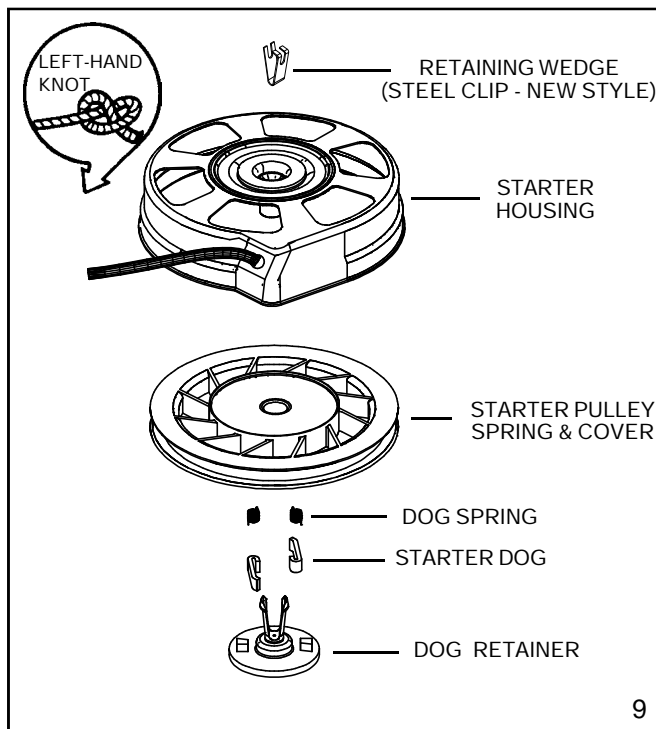
1. If replacing the starter rope, see Step 8.

**⚠ Extreme caution should be used when working with springs. Always wear appropriate safety equipment.**

2. Install a new recoil spring if necessary by pushing the new spring out of the holder into the pulley cavity while aligning the outside spring hook into the deep notch in the pulley. Push the spring cover in until seated.
3. Apply a small amount of lithium grease to the inner bore of the center shaft.
4. Replace or check that both starter dogs are in the pulley pockets and that the dog springs are hooked on the outer surface of the dog.
5. Pinch the two legs of the plastic retainer together and start into the center shaft hole.
6. Rotate the retainer so the two tabs on the bottom of the part fit between the dog and pulley hub (left side of the dog). Push the retainer in until the leg prongs pop out of the center shaft.
7. Turn the starter over and snap the locking tab between the retainer legs, replace the top decal.

**NOTE:** Refer to Service Bulletin 122 for steel locking clip.

8. Wind the starter pulley counterclockwise four or five turns to pre-load the recoil spring and thread the rope through the starter housing eyelet. Pull enough rope through to tie a temporary knot in the rope. Reattach the starter handle to the rope using a left-hand knot. Untie the temporary knot and allow the rope to recoil.



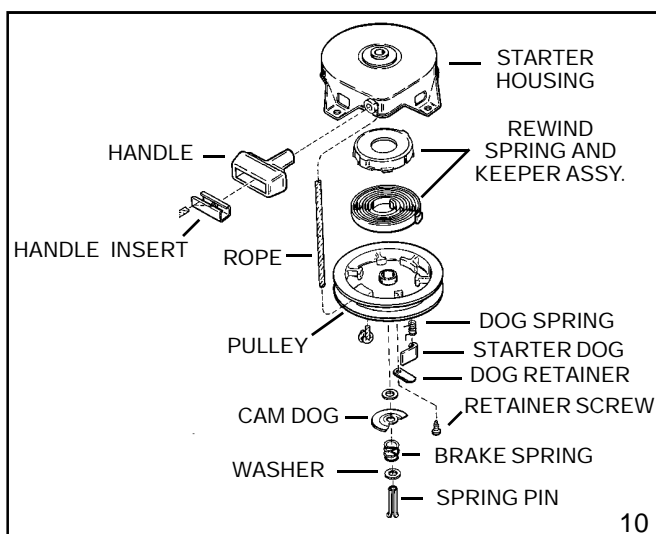
## STANDARD STAMPED STEEL AND CAST ALUMINUM STARTER (HM, VM)

### Disassembly Procedure

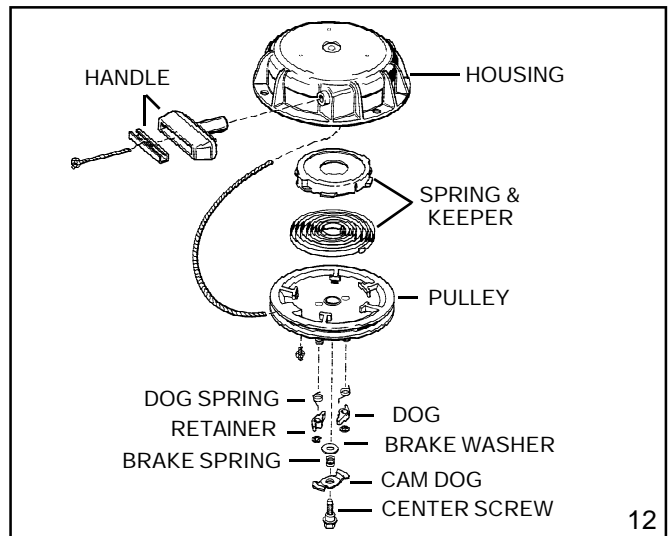
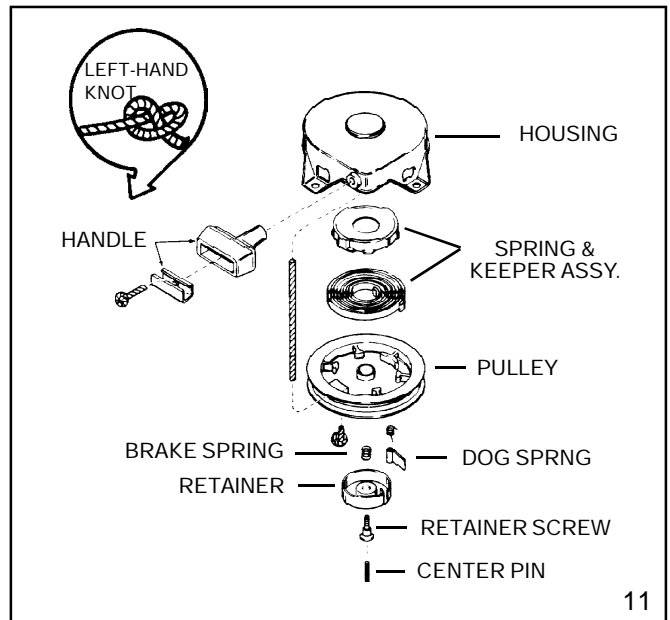
1. Untie the knot in the rope and slowly release the spring tension.
2. Remove the retainer screw, retainer cup (cam dog on snow proof type), starter dog(s) and dog spring(s), and brake spring (diag. 10).
3. Turn the spring and keeper assembly to remove the pulley. Lift the pulley out of the starter housing. Replace all worn or damaged parts.

### Assembly Procedure

1. Place the rewind spring and keeper assembly into the pulley. Turn the pulley to lock into position. A light coating of non-freeze grease should be applied on the spring.



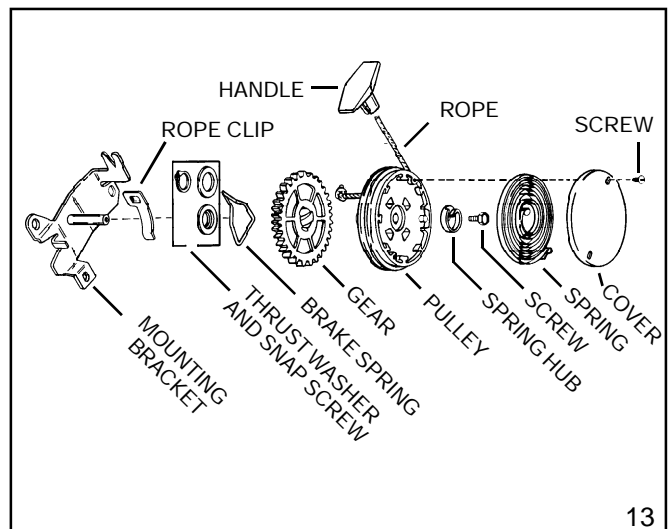
2. Place the pulley assembly into the starter housing.
3. Install the brake spring, starter dog(s), and starter dog return spring(s). The starter dog spring(s) must hold the dog(s) in against the pulley. On Snow King engines the starter dog posts should be lubricated with S.A.E. 30 engine oil.
4. Replace the retainer cup (cam dog on snow proof starter) and retainer screw. Tighten to 65 - 75 in. lbs. Older models that use a 10 - 32 retainer screw can be replaced with a larger 12 - 28 screw (part # 590409A). Re-drill the screw hole using a 13/64" (4.35 mm) drill bit. The center screw torque on cast aluminum starters is 115 to 135 in. lbs (13 - 15 Nm) (diag. 11 & 12).
5. Add-on alternator starters must have the center tubular rivet replaced each time the tubular rivet is removed. The tubular rivet should be pressed to a depth of 1/4" (3.175 mm) from the top of the starter housing. Skip this step if not applicable.
6. Apply tension to the recoil spring by winding the pulley counterclockwise until it becomes tight, then allow the pulley to unwind until the hole in the pulley lines up with the rope eyelet in the starter housing. Install a knotted rope through the pulley and the eyelet and install the handle. A left-hand knot should be tied on the end of the rope to secure the handle.
7. If a centering pin is used, be sure to align with the crankshaft (bottom pin in center screw hole). Install nylon sleeve 1/8" (3.175 mm) onto pin. Position nylon sleeve in aligning recess in the crankshaft. START two mounting screws in blower housing 90° apart. With sleeve centered in crankshaft, gently push the starter in place, tighten the two mounting screws, insert and tighten the other two screws.



## VERTICAL PULL STARTER HORIZONTAL ENGAGEMENT TYPE

### Disassembly Procedure

1. Remove the handle and relieve the starter spring tension by allowing the rope to slip past the rope clip.
2. Remove the spring cover by carefully removing the two small screws. Carefully take out the spring.
3. Remove the center hub screw and the spring hub.
4. Lift off the gear and pulley assembly. Disassemble the pulley assembly by removing the snap ring and washer (diag. 13).
5. Remove the starter rope if necessary. Replace all



worn or damaged parts.

## Assembly Procedure

1. Insert the rope through the starter pulley.
2. Assemble the gear, pulley, washer, and snap ring.
3. Place a small amount of grease on the center shaft, place the gear and pulley into position making sure the brake spring loop is positioned over the metal tab on the bracket. The rope clip must fit tightly onto the bracket. The raised section fits into the hole in the bracket (diag. 14 & 15).
4. Install the hub and hub screw. Torque the hub screw to 45 - 55 in. lbs. (5 - 6 Nm). A loose hub screw will prevent the rope from retracting.
5. Install the return spring if necessary. A replacement spring is installed by placing the spring and its retainer over the top of the pulley and pushing the spring out of the retainer into the pulley's recessed area.
6. Install the spring cover and the cover screws.
7. Wind the rope onto the pulley by slipping it past the rope clip. When the rope is fully wound on the pulley, wind the pulley assembly two additional turns to put tension on the spring.
8. Mount the starter on the engine making sure the top of the starter gear teeth are no closer than 1/16" (1.59 mm) from the top of the flywheel ring gear teeth.

## VERTICAL PULL STARTER, VERTICAL ENGAGEMENT TYPE

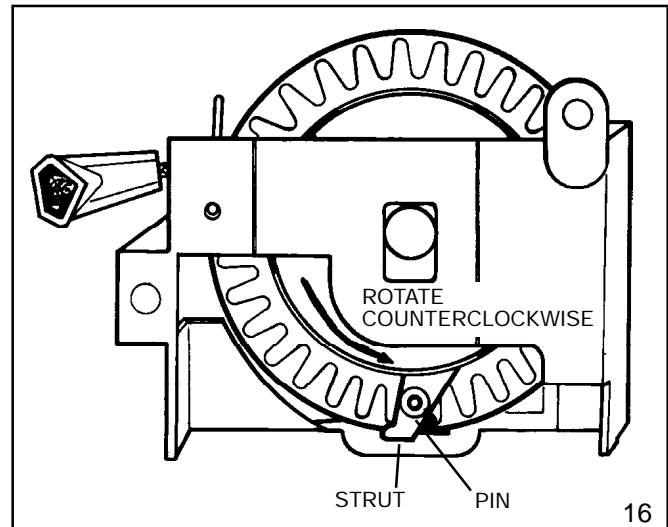
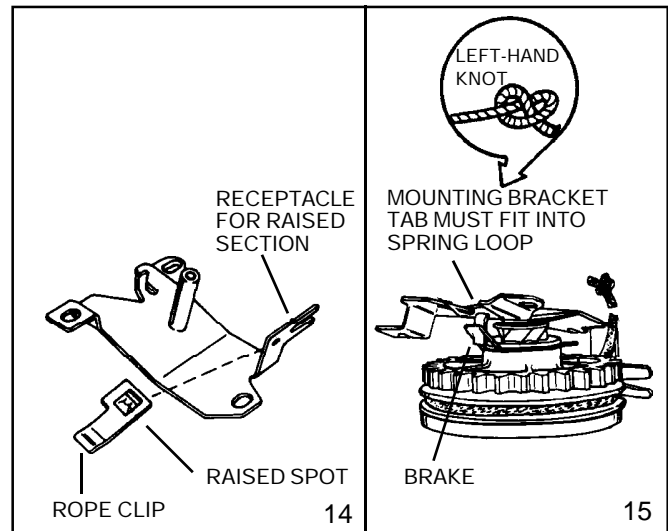
### Disassembly Procedure

1. Pull out enough rope to lock the rope in the "V" of the bracket.
2. Remove the handle if necessary by prying out the small staple in the handle with a screwdriver.
3. Place the starter bracket on the top of a deep well socket that is large enough to receive the head of the center pin. Use an arbor press to drive out the center pin.
4. Rotate the spring capsule strut until it is aligned with the legs of the brake spring. Insert a nail or pin no longer than 3/4" (19.05 mm) through the hole in the strut so it catches in the gear teeth. This will keep the capsule in the wound position (diag. 16).
5. Slip the sheave out of the bracket.



**CAUTION: DO NOT ATTEMPT TO REMOVE THE SPRING CAPSULE FROM THE SHEAVE ASSEMBLY UNLESS THE SPRING IS FULLY UNWOUND.**

6. Squeeze and hold tightly by hand the spring capsule

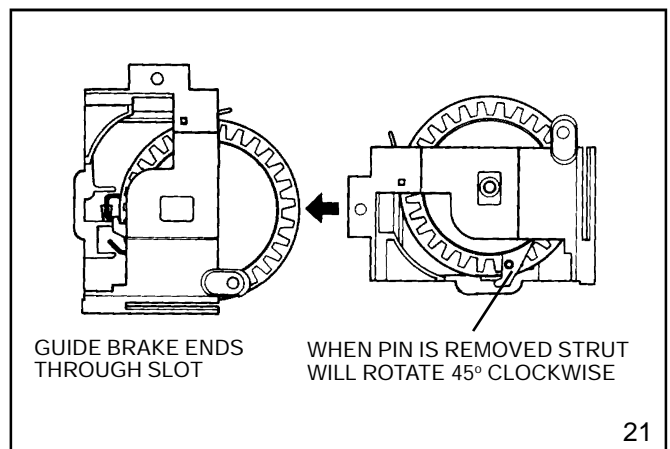
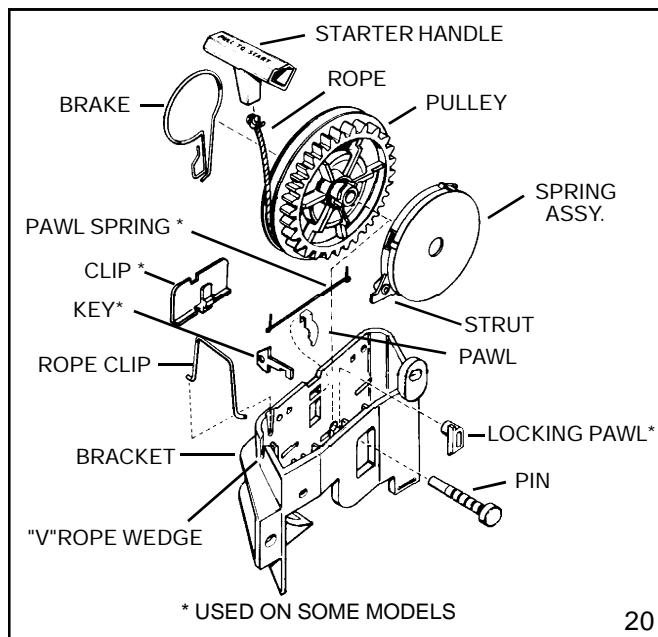
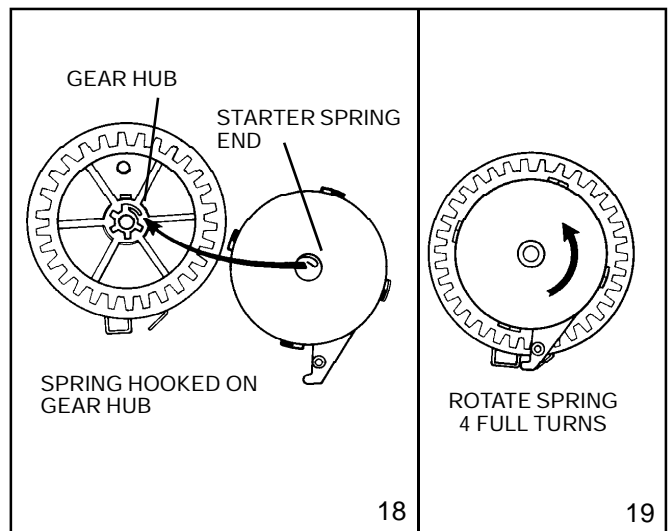
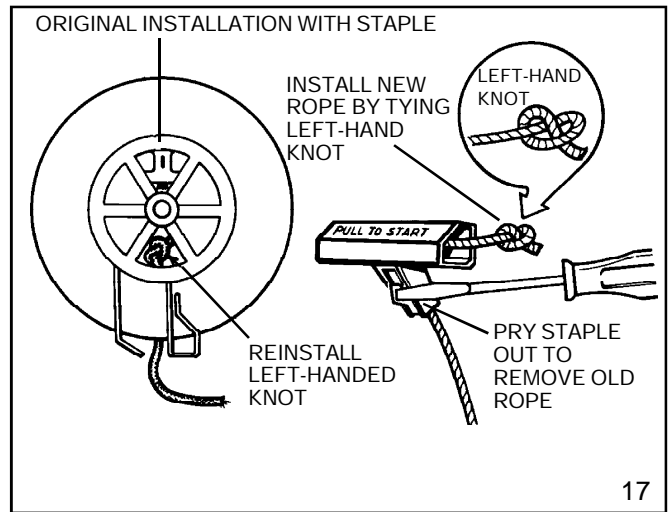


at the outer edge against the gear sheave.

- Remove the retainer pin from the strut and slowly relieve the spring tension by allowing the spring capsule to rotate slowly under control, until completely unwound. The spring capsule can now be removed from the gear sheave.

## Assembly Procedure

- Feed the new rope through the hole and tie a left-handed knot on the rope end. Make sure the rope and knot do not protrude from the knot cavity and bind the pulley rotation (diag. 17).
- Wind the rope on the sheave assembly clockwise, viewing the gear from the gear side of the sheave.
- Reinstall the brake spring, being careful not to spread the spring more than necessary.
- Install the spring capsule, making sure the starter spring end hooks on the gear hub (diag. 18).
- Wind the spring four full turns and align the brake spring legs with the strut as shown. Insert the pin in the strut (diag. 19).
- If the starter is equipped with a locking or delay pawl and spring, make sure these are in place before grasping the gear and spring capsule assembly and sliding it into the bracket. Make sure the legs of the brake spring are positioned in the slots of the bracket.
- Feed the rope end under the rope guide and hook it into the "V" notch. Remove the pin and the strut will rotate clockwise against the bracket (diag. 21).
- Insert the new center pin by pressing or driving the pin firmly in place. Reinstall the starter assembly on the engine (diag. 21).



# CHAPTER 6 ELECTRICAL SYSTEMS

## GENERAL INFORMATION

The electrical system consists of three main elements: a battery, a starting circuit, and a charging circuit. The battery is part of both the starting and charging circuit. The battery should be checked before going into any extensive starter or charging system checks. If a battery has a shorted cell, overcharging can result, and the regulator or rectifier may appear to be at fault. If a cell has an open or high resistance connection, the electric starter operation will be affected.

The power source used to provide the energy to turn an electric starter motor on Tecumseh engines is either 120 volt A.C. current or 12 volt D.C. An A.C. starter circuit utilizes a 120 volt power source instead of a battery. The 12 volt battery models require a charging system to maintain proper battery charge.

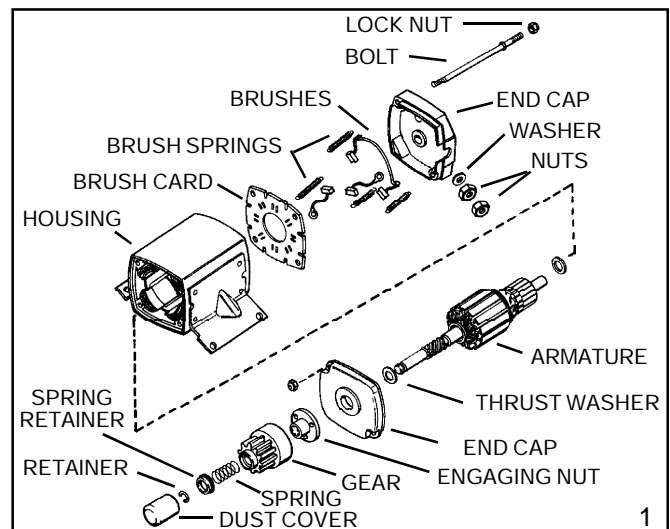
The starting circuit includes the battery, battery cables, starter or ignition switch, safety switches, and an electric starter motor.

The charging system consists of alternator charge coils, rectifiers or diodes, regulator, ignition switch, flywheel magnets, and a battery. All engines that have a charging system will use a combination of some or all of these features.

## OPERATION

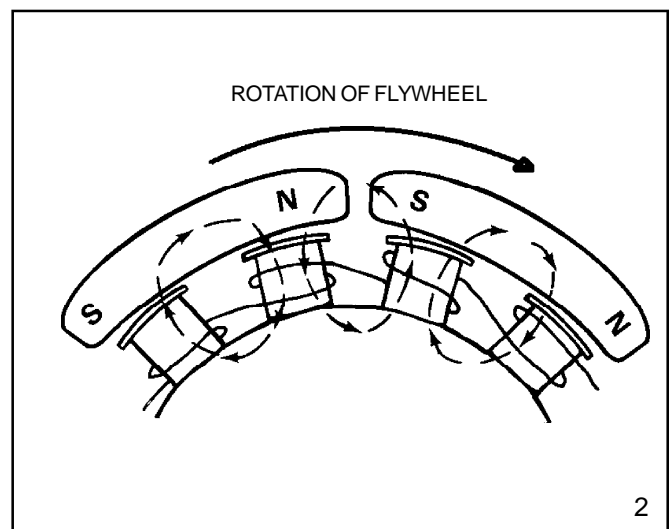
### STARTING CIRCUIT AND ELECTRIC STARTERS

After all of the safety interlock switches have been activated, the starter switch will complete the circuit. A strong magnetic force is produced by the electrical current running through the armature windings. The armature magnetism repels the magnetism produced by the permanent field magnets of the electric starter. The repelling magnetic forces cause the armature to rotate, moving the drive pinion laterally on the splined armature shaft, meshing the starter pinion gear with the flywheel ring gear. When the drive pinion contacts the stop at the end of the armature shaft, the pinion rotates along with the armature shaft to crank the engine. The armature and pinion remain positively engaged until the engine fires and the flywheel rotates faster than the armature. The greater momentum of the flywheel throws the starter pinion gear out of mesh and forces the starter pinion back to the disengaged position. After the switch is released, the starting circuit is opened and the armature coasts to a stop. A small anti-drift spring holds the pinion in the disengaged position (diag. 1).



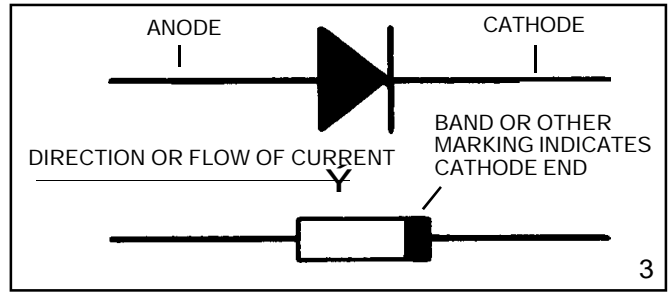
### CHARGING CIRCUIT

When a conductor (alternating coils) cuts the magnetic field generated by the magnets in the flywheel, a current will be induced in the alternator coil. The permanent magnets in the flywheel have a magnetic field in which the lines of magnetic force run from the North Pole to the South Pole. As the flywheel rotates and the position of the magnets change, the direction of the magnetic field changes or alternates. The alternating coils are wound in different directions to allow current to flow as an A.C. waveform (diag. 2).



## CONVERTING ALTERNATING CURRENT TO DIRECT CURRENT

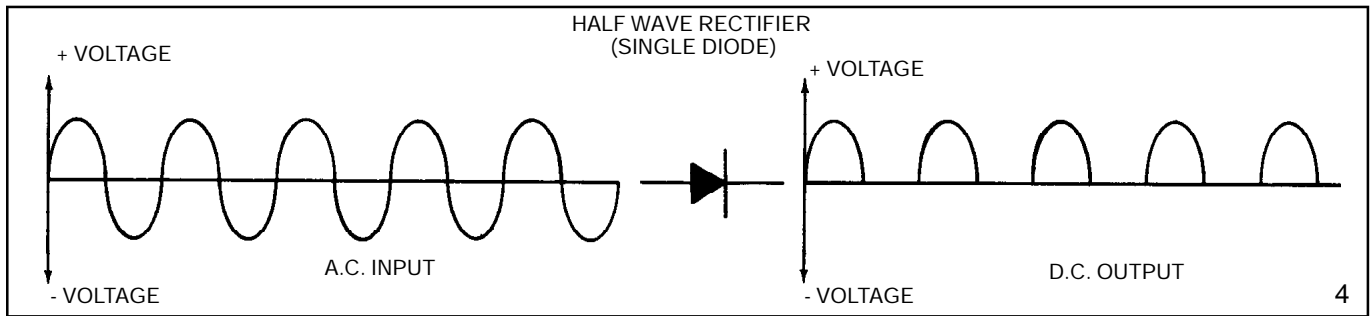
In order to charge a battery, it is necessary to convert alternating current (A.C.) to direct current (D.C.). This is accomplished by using a diode or rectifier (diag. 3). A single diode makes use of only one half of the A.C. signal and is known as HALF WAVE RECTIFICATION (diag. 4). This is acceptable in certain applications. In certain situations it is necessary to make use of the entire A.C. signal. To accomplish this, multiple diodes in a bridge configuration are used to produce FULL WAVE RECTIFICATION (diag. 5).



Current flows through a diode when the anode is more positive than the cathode. The cathode end of the diode should point toward the battery when diode is used between a charging system and a battery.

## HALF WAVE RECTIFIER SINGLE DIODE

The single diode allows only the positive half of the A.C. signal through. It does not allow the negative portion through.



## FULL WAVE RECTIFIER (BRIDGE RECTIFIER)

The full wave rectifier makes use of the entire A.C. signal, converting it to D.C.

### COMPONENTS

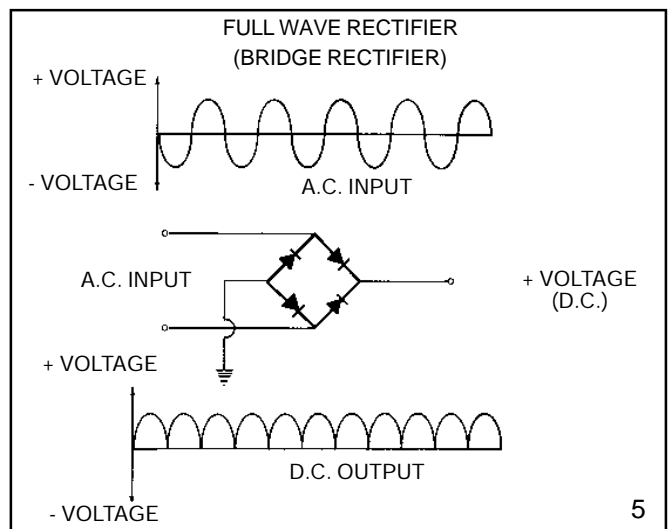
#### BATTERY

The batteries used in conjunction with Tecumseh engines are 12 volt lead acid or "maintenance free" style. The chemical energy produced by the dissimilar metals of the battery plates provides a electrical potential that is used to power the electric starter or unit accessories. Consult the original equipment manufacturer's service manual for battery size, capacities, and testing procedure.

#### WIRING

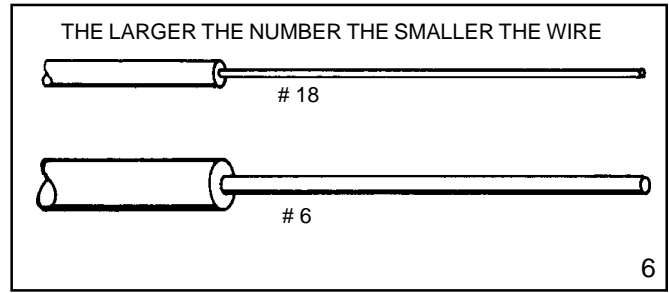
The wires used in Tecumseh electrical systems are copper stranded with an insulated coating around the copper strands.

**CONDITION:** All wiring must be fully insulated between connection points, securely fastened and free of foreign material (such as rust and corrosion) at the connection points. This is especially important in the use of batteries where much of the potential may be lost due to loose connections or corrosion. Remember to check the insulation on the wire. All it takes is a pin hole to "ground out" on the engine or frame. This is of special concern when moisture or water is present. This may cause the engine to run erratically or be impossible to start.



**WIRE GAUGE:** The proper thickness of wire is necessary in all electrical circuits. Wire diameter is measured in increments of gauge numbers. As the gauge number of the wire increases, the wire diameter decreases in size (diag.6).

1. The starter circuit wiring must be rated at #6 or lower gauge number.
2. The charging circuit wiring must be rated at #16 or lower gauge number (20 amp system requires #14 or lower gauge number).
3. The magneto circuit wiring (ground circuit) must be rated at #18 or lower gauge number.



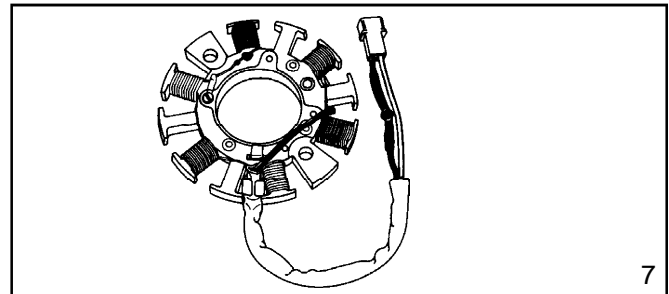
Tecumseh's standard engine wiring color codes, effective August, 1992 are as follows:

Code	Product
Yellow	- Alternator A.C. Leads
Red	- Alternator D.C. + Leads
Brown	- Alternator D.C. - Leads
Black	- Alternator Ground Leads, Battery Ground Leads
Orange	- 12 Volt Starter B + Leads
Dark Green	- Ignition Shut-Off Leads

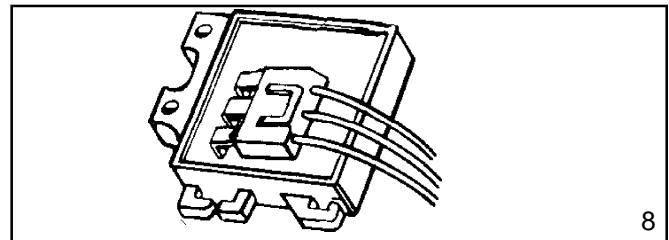
**NOTE:** PRIOR TO AUGUST 1992, WIRE CODES CHANGED ACCORDING TO MODEL AND SPECIFICATION NUMBERS.

## ELECTRICAL TERMS

**ALTERNATOR** - An alternator consists of coils of wire wound around a metal lamination stack. When a magnet is moved past the coils, a current is induced in the coils. In general, the greater the number of coils, the greater the output of the alternator (diag. 7).

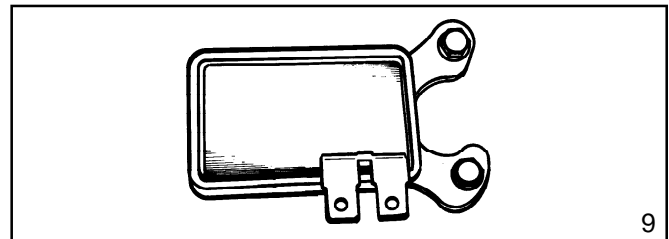


**IGNITION COIL** - The ignition coil is used to fire the spark plug. It is completely independent from the alternator coils.



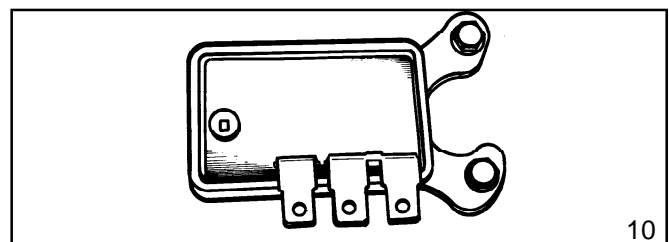
**RECTIFIERS and DIODES** - Charging a battery requires that the alternating current produced by the alternator be changed to direct current. This is accomplished by using a diode or rectifier.

**REGULATOR/RECTIFIERS** - This combines a regulator with a rectifier. The regulator prevents overcharging of the battery and the rectifier changes the alternating current to direct current (diag.8, 9, 10).



**CONDUCTORS** - A conductor is a material that allows an electric current to pass through it. All metals are conductors of electricity, but some are better conductors than others. Silver, copper and gold are some of the better known conductors. As the temperature of the conductor increases, the resistance increases.

**INSULATORS** - An insulator is a material that will not allow an electric current to pass through it. Some of the more common materials that are insulators are glass, plastic, rubber, ceramics and porcelain.





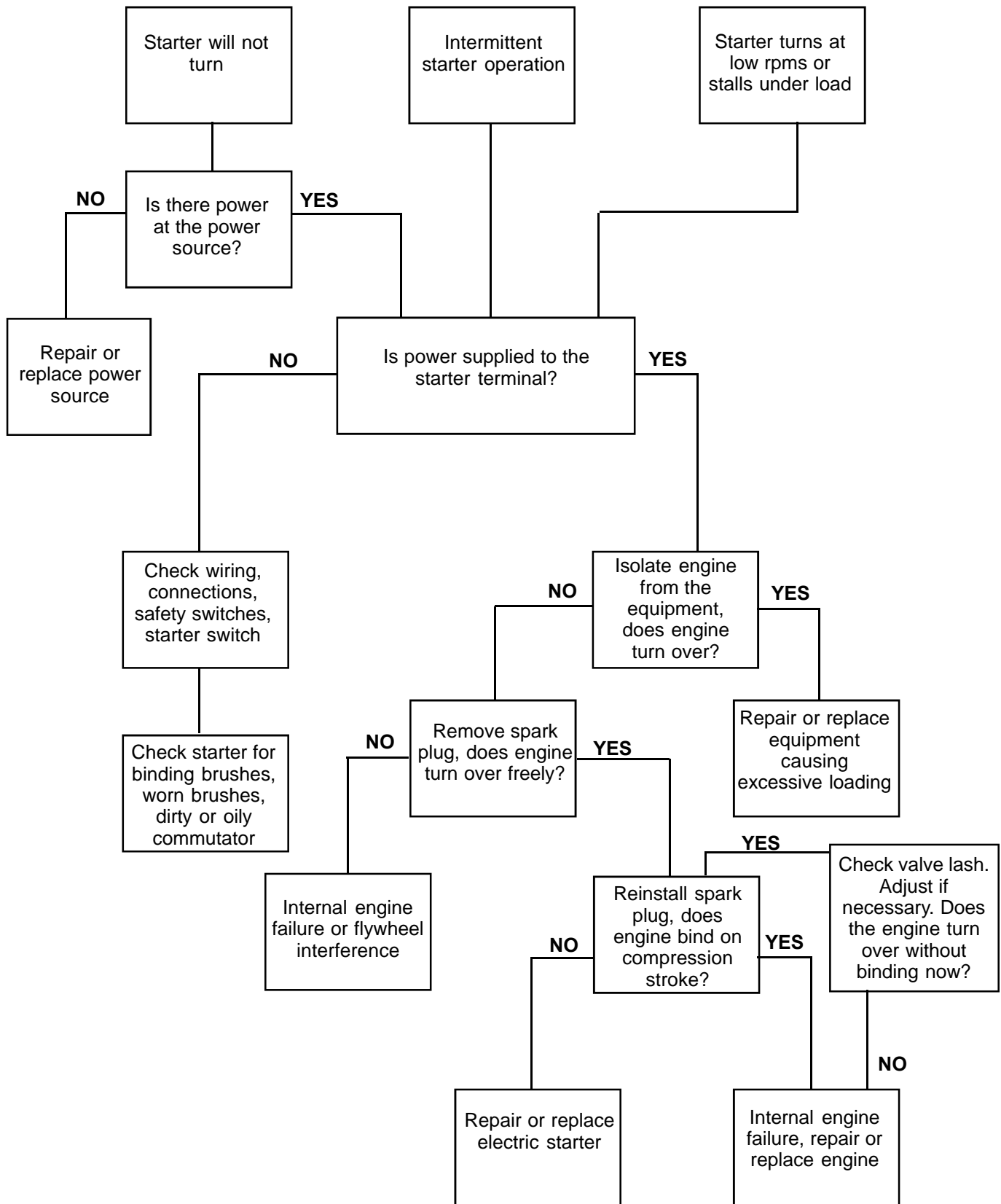
## **BASIC CHECKS**

Before going into extensive checks, be sure to perform the more basic checks first, such as:

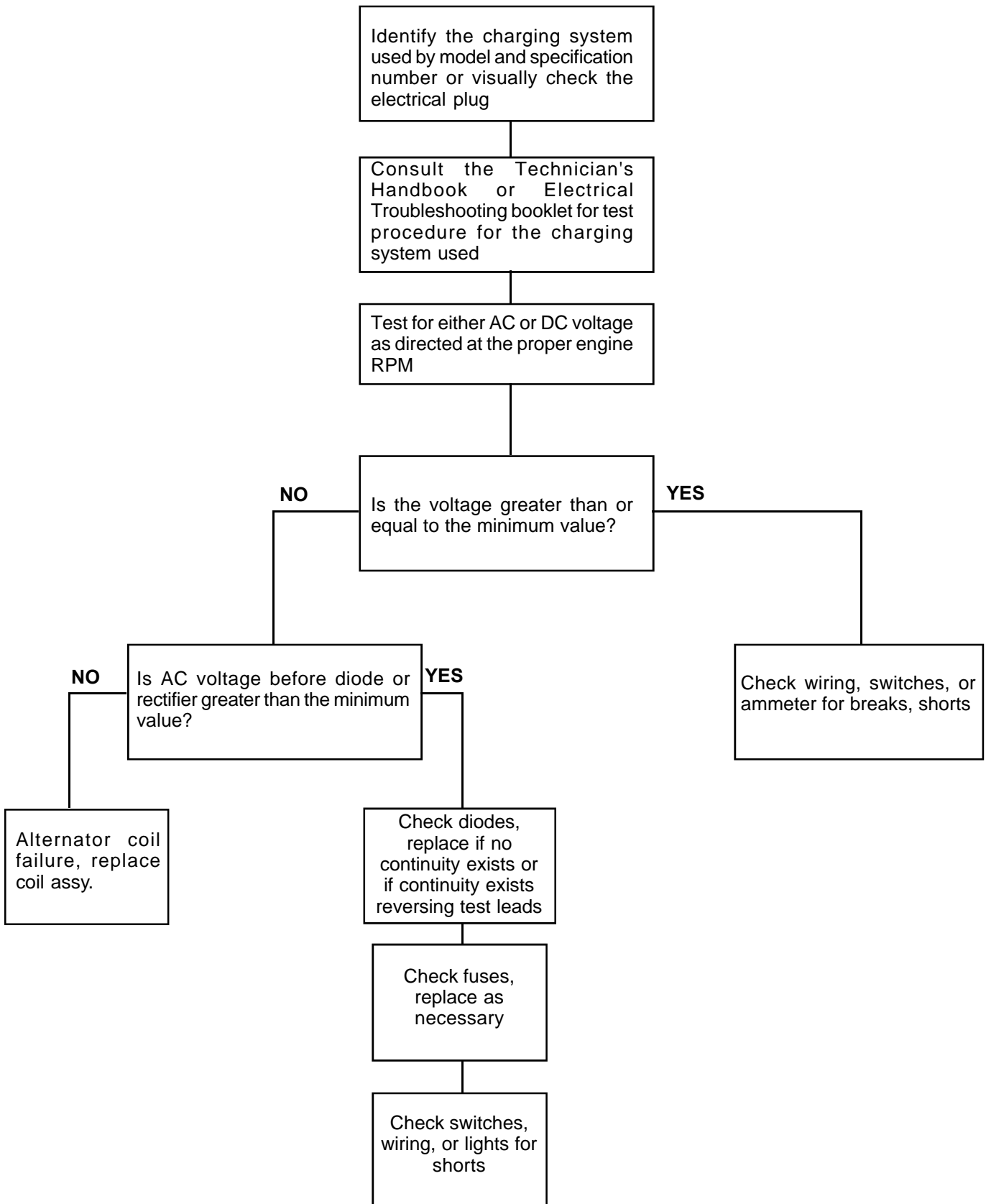
1. Battery defective or not charged.
2. Corroded or loose terminals and connections, or wrong connections.
3. Cracked insulation or broken wires.
4. A wire "grounding out" in the system.
5. Defective switch.
6. Operator presence system functioning properly.\*

**\*NOTE:** ALL LAWN AND GARDEN TRACTORS BUILT AFTER JULY OF 1987 ARE REQUIRED TO HAVE AN OPERATOR PRESENCE SYSTEM AND MANY CAME EQUIPPED WITH SUCH A SYSTEM PRIOR TO THIS DATE. IF THE TRACTOR IS "CUTTING OUT" OR WILL NOT START, THIS IS AN AREA THAT SHOULD BE CHECKED OUT.

# TROUBLESHOOTING ELECTRICAL STARTER CIRCUIT FLOW CHART



# TROUBLESHOOTING ELECTRICAL CHARGING CIRCUIT FLOW CHART



## TESTING PROCEDURE

### STARTING CIRCUIT

1. Check the power source using an electrical tester and follow the testers recommended procedure. Make sure the battery meets the minimum battery voltage requirements found in the original equipment manufacturer's service manual.
2. Check the electric starter terminal for the required voltage (12v D.C. or 120 v A.C.) using a voltmeter.

**⚠ CAUTION: FOLLOW ALL SAFETY PRECAUTIONS WHEN TESTING FOR A.C. VOLTAGE, ELECTRIC SHOCK CAN KILL.**

3. Check wiring, connections, fuses, ignition or starter switch, safety switches, or solenoid for continuity using an ohmmeter or a continuity light. Repair or replace as necessary.
4. Remove all equipment loads from the engine. Take off all drive belts, chains, and couplers to isolate the engine from the equipment it is powering.
5. Try to turn the engine over using the recoil assembly if equipped. If the engine doesn't turn over, a mechanical binding may be the cause. Check for proper lubrication (oil level and viscosity), starter gear and flywheel ring gear interference. If no problem is discovered, the problem is an internal failure.
6. If the engine binds only on the compression stroke, check the engine valve clearance per the specification table in Chapter 10. If the valve clearance is within the specifications, the camshaft (compression release) may require replacement. Valve clearance not within the listed specifications will require either resetting or grinding the valve stems to obtain the proper clearance.
7. If the engine turns over freely, the electric starter should be disassembled and checked. If the preceding steps fail to correct the problem, the engine will require disassembly to find the mechanical failure. See Chapter 9 under "Disassembly Procedure".

### CHARGING CIRCUIT

The following pages will show wiring diagrams of several Tecumseh charging systems. The charging system used on the engine is best identified by obtaining the engine model number and the specification number on the engine. Consult a Tecumseh dealer or a parts manual to identify the charging system. To make many of the tests it is necessary to run the engine and measure alternator output with a voltmeter. When making voltage tests with the engine running, it is not necessary to take readings at all the listed R.P.M.s. Checking at one of the speeds is sufficient.

In some cases an open circuit D.C. check cannot be made. An SCR (Silicon Controlled Rectifier) is located in the circuit which requires a minimum "turn on" voltage to allow it to conduct. Without the battery in the circuit this "turn on" voltage is not present. The SCR "senses" this and there will be no D.C. output from the regulator or rectifier.

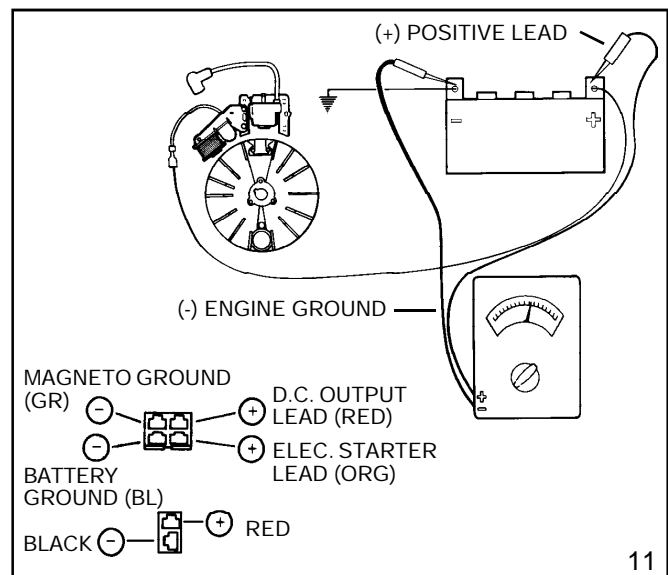
Each charging system has its own testing procedure. Test the charging system using the applicable procedure on the following pages.

#### 350 Milliamp Charging System

**Models: TVS 75-90-100-105-115-120**

**CHECKING THE SYSTEM:** The battery must be in the circuit to perform the test properly. Connect a voltmeter across the battery. The voltmeter should read the battery voltage. Start the engine. With the engine running, there should be an increase in the voltage reading. If there is no change in the voltage reading, the alternator is defective and should be replaced. See Chapter 9 for "Disassembly Procedure" (diag. 11).

**NOTE:** SET THE VOLTMETER TO THE 0-20 VOLT D.C. SCALE FOR THE TEST.



## 18 Watt A.C. Lighting Alternator

Models: H35, HS & HSSK 40-50, HM & HMSK 70-80-100

**CHECKING THE SYSTEM:** To check the system, disconnect the plug from the rest of the lighting system. Connect a wire lead from the single pin connector coming out of the engine to one terminal of a No. 4414, 18 watt bulb. Connect another wire lead to the other terminal of the bulb and run to a good ground on the engine. Start the engine and test the circuit using the A.C. voltmeter as shown (diag. 12).

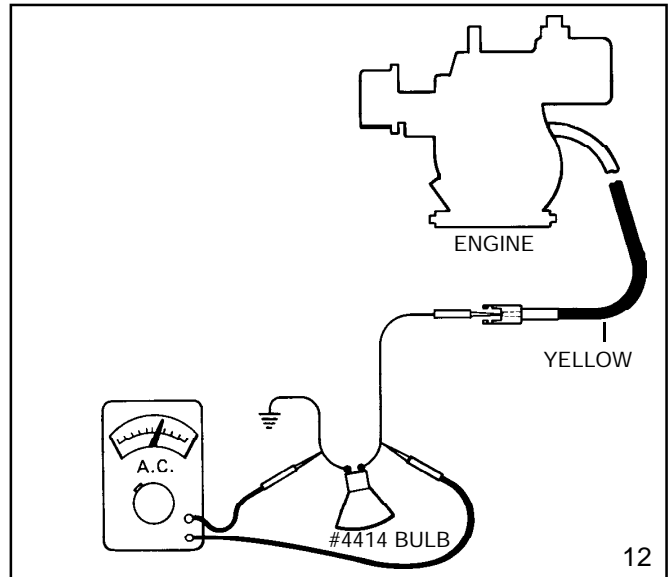
With the engine running, minimum A.C. voltage across the bulb should be:

2000 R.P.M. - 6.0 Volts A.C.

3000 R.P.M. - 8.5 Volts A.C.

3600 R.P.M. - 10.0 Volts A.C.

If minimum values are noted, the alternator is okay. If less than the minimum values, the alternator is defective. See Chapter 9 for "Disassembly Procedure".



## 1 Amp (18 Watt) Add-on Alternator

**CHECKING THE SYSTEM:** To check the system, disconnect the plug from the rest of the lighting system. Connect a No. 4414, 18 watt bulb in line with each terminal in the plug. Start the engine and test the circuit using a voltmeter as shown (diag. 13).

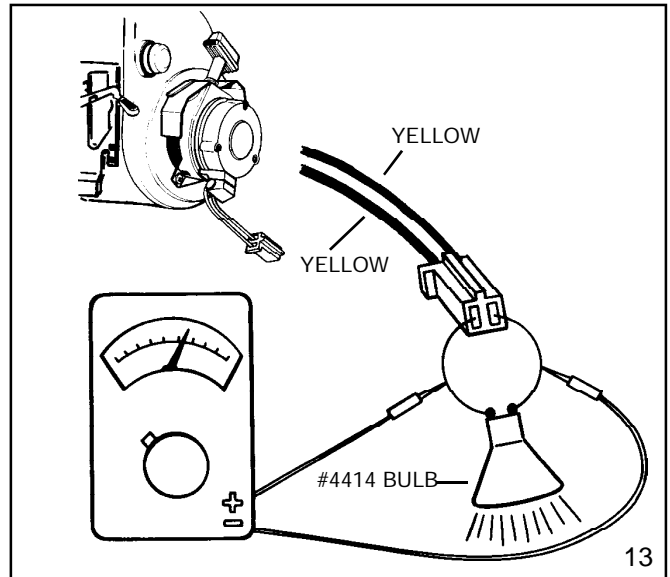
With the engine running, minimum A.C. voltage values across the bulb should be:

2000 R.P.M. - 8.0 Volts A.C.

3000 R.P.M. - 10.5 Volts A.C.

3600 R.P.M. - 12.0 Volts A.C.

If minimum values are noted, the alternator is okay. If the minimum values are not noted, the alternator or A.C. connector is defective. See Chapter 9 for "Disassembly Procedure".



## D.C. Charging Adaptor

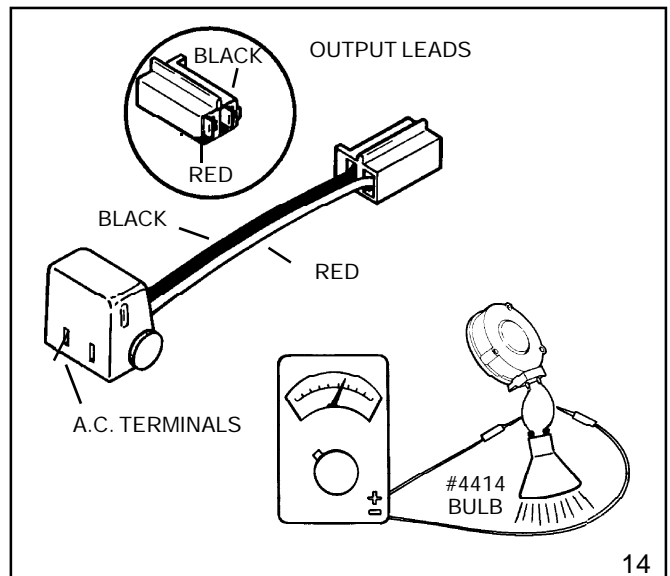
### Rectifier Bridge Check With Ohmmeter for D.C. Adaptor

The following tests should be performed without the engine running to determine the condition of the D.C. adaptor.

Continuity should exist during one of the two following tests. No continuity should exist while performing the opposite test.

If continuity exists during both tests, or if no continuity exists during both tests, the D.C. adaptor is defective.

**TEST NO. 1** - Connect negative probe of meter to red output lead. Connect positive probe of meter to both A.C. terminals and black output lead (diag. 14).



(continued on top of next page)

**TEST NO. 2** - Connect the positive probe of meter to red output lead. Connect the negative probe of meter to both A.C. terminals and black output lead.

Connect the negative probe of meter to black output lead. Connect the positive probe of meter to both A.C. terminals and red output lead.

If the D.C. adaptor is not defective and a known good battery fails to hold a charge, then perform an A.C. output voltage test.

**NOTE:** PRIOR TO AUGUST 1992, THE BLACK WIRE WAS BROWN.

**CHECKING THE SYSTEM:** To check the system, disconnect the D.C. adaptor from the add-on alternator. Connect a No. 4414, 18 watt bulb in line with each terminal in the alternator. Start engine and test circuit using an A.C. voltmeter as shown (diag 14).

With the engine running, minimum A.C. voltage values across the bulb should be:

2000 R.P.M. - 8.0 Volts A.C.

3000 R.P.M. - 10.5 Volts A.C.

3600 R.P.M. - 12.0 Volts A.C.

If the minimum values are noted, alternator is okay. If the minimum values are not noted, the alternator or A.C. connector is defective.

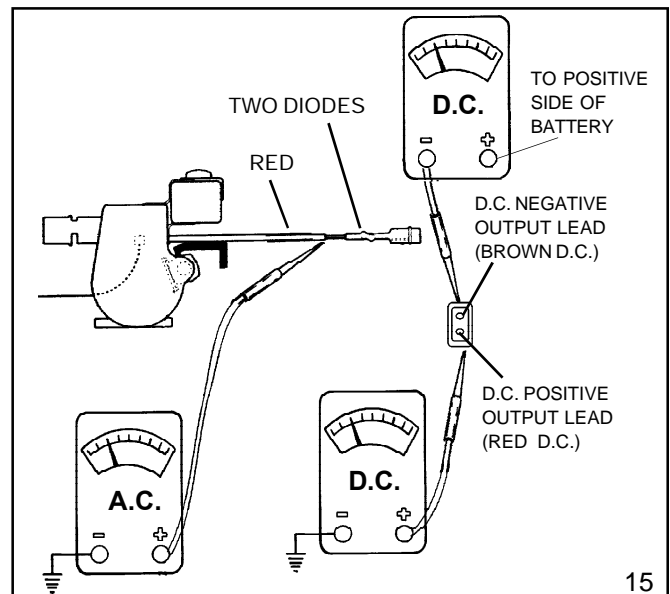
### 2.5 Amp D.C., 35 Watt Lighting

To check this system follow the meter hook ups at the right, checking the D.C. negative and D.C. positive first. If output is below standard listed, pull back protective coating in front of the diode and check A.C. output. If A.C. is good check each diode it services as requested see parts list. (diag. 15)

D.C. value (+) or (-) check. A.C. outputs both sides.

R.P.M.	D.C. Volts	R.P.M.	Volts A.C.
2500	- 8.0 Volts D.C.	2500	- 18 Volts A.C.
3000	- 9.5 Volts D.C.	3000	- 22 Volts A.C.
3300	- 10.5 Volts D.C.	3600	- 26 Volts A.C.
3600	- 11.5 Volts D.C.		

**NOTE:** These minimum numbers should be obtained by your meter and will often be higher.



### 3 Amp A.C. Lighting Alternator

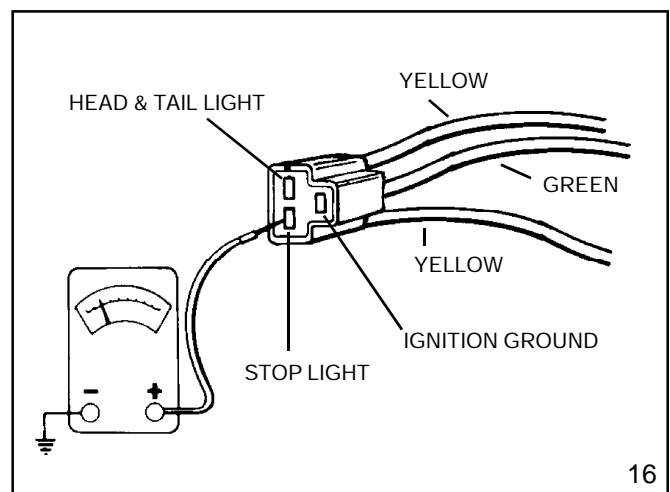
**Models: H & HSK 30- 35, HS & HSSK 40, H & HSK 50-60, HH50-60, HM & HMSK 70-80-100, HHM80**

Before making any exterior tests, check for an inoperative switch, shorted wires and burned out headlight and/or stop tail light. To check out the alternator, check the A.C. lead to ground (diag. 16).

With engine running, minimum values should read:

2500 R.P.M.	- 8.0 Volts A.C.
3000 R.P.M.	- 9.5 Volts A.C.
3300 R.P.M.	- 10.5 Volts A.C.
3600 R.P.M.	- 11.5 Volts A.C.

If the above minimum readings are noted, the alternator is okay. Check for defective lights, wiring or switches. If less than the above readings, the alternator is defective. See Chapter 9 for "Disassembly Procedure".



**NOTE:** ON OLDER POINT IGNITION SYSTEMS, THE A.C. OUTPUT LEADS ARE BLACK AND RED.

### 3 Amp D.C. Alternator System - Rectifier Panel

This 3 amp system is readily identified by the rectifier panel in the circuit. The panel includes two diodes and a fuse for overload protection. The rectifier panel does not regulate the output of this system.

**CHECKING THE SYSTEM:** Check the fuse to determine if it is good. A continuity light or ohmmeter can detect a faulty fuse. Replace with a six (6) amp fuse if necessary. Determine if the diodes are functioning properly. A continuity light may be used to check diodes. (diag. 17).

When replacing the diode in the rectifier panel, locate the undercut on one end of the diode and match it to the detent on terminal clip of the rectifier panel.

Test the D.C. output of the rectifier panel as follows:

Disconnect the battery lead from the terminal of rectifier panel. Use D.C. voltage meter probe on + battery terminal as shown in the diagram (diag. 18). Connect negative lead to engine ground.

Minimum values should read:

2500 R.P.M. - 12.0 Volts D.C.

3000 R.P.M. - 14.0 Volts D.C.

3300 R.P.M. - 16.0 Volts D.C.

3600 R.P.M. - 18.0 Volts D.C.

If these minimum readings are noted, the system is okay. Check for bad battery, ammeter, wiring, etc.

If less than above reading, proceed to make an A.C. output check. With the battery lead disconnected from rectifier panel, probe the A.C. terminals with the voltmeter on the A.C. scale (diag. 19).

Minimum values should read:

2500 R.P.M. - 24.0 Volts A.C.

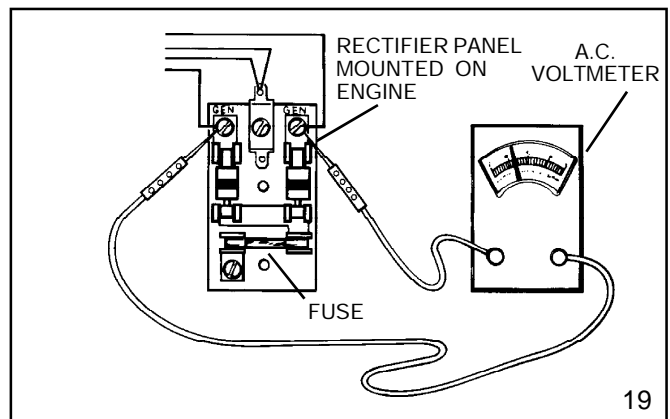
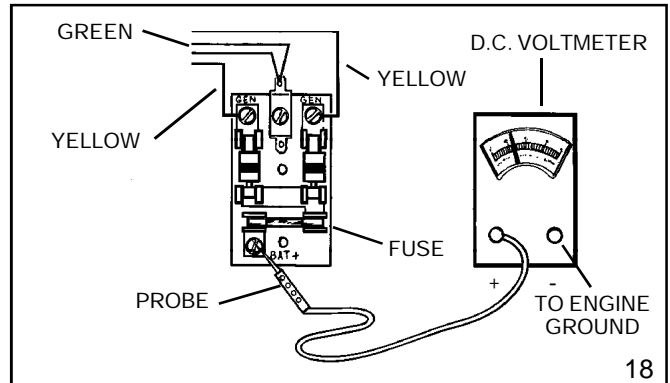
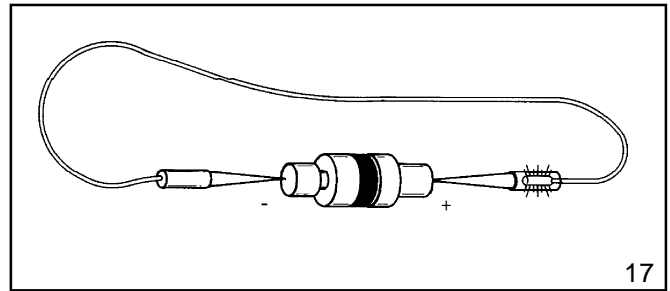
3000 R.P.M. - 29.0 Volts A.C.

3300 R.P.M. - 32.0 Volts A.C.

3600 R.P.M. - 35.0 Volts A.C.

If less than above output, generating coil assembly is defective. See Chapter 9 for "Disassembly Procedure".

**NOTE:** There is no regulator in this system. The total output of the two diodes is three (3) AMPS. If the battery is overcharging (boiling and bubbling), reduce the D.C. input by one-half by removing one of the diodes.



17

18

19

### 3 Amp DC Alternator System - Diode in Harness Sleeve

**Models: H30-35, HS40, H50-60, HH50-60, HM70-80-100, HHM80**

This system has a diode included in the red wire which converts the alternating current (A.C.) to direct current. The direct current (D.C.) is used to provide a trickle charge for the battery. The leads from the alternator and the type of connector may vary, but the output readings will be the same.

**CHECKING THE SYSTEM:** Remove the fuse from the fuse holder and check the fuse to make certain it is good. If faulty, replace with a six (6) AMP fuse.

To check D.C. output, separate the connectors at the engine. Place the probe (+) in the red wire lead connector. Ground the other probe to the engine (diag. 20).

With the engine running minimum values should read:

2500 R.P.M. - 8.0 Volts D.C.

3000 R.P.M. - 9.5 Volts D.C.

3300 R.P.M. - 10.5 Volts D.C.

3600 R.P.M. - 11.5 Volts D.C.

If these minimum readings are noted, the system is okay. Check for bad battery, ammeter, wiring, etc.

If less than the above readings, proceed to make an A.C. output check by pulling back the protective coating from the fuse holder and diode. Using an A.C. voltmeter, check voltage from a point between the engine and the diode as shown in the diagram (diag. 21).

With the engine running, minimum values should read:

2500 R.P.M. - 18.0 Volts A.C.

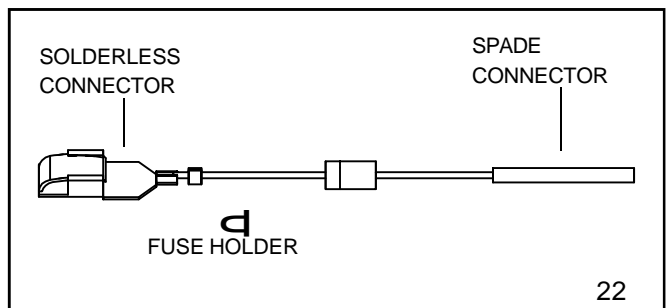
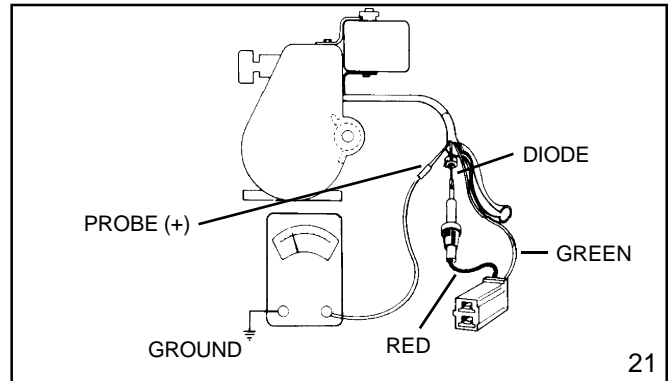
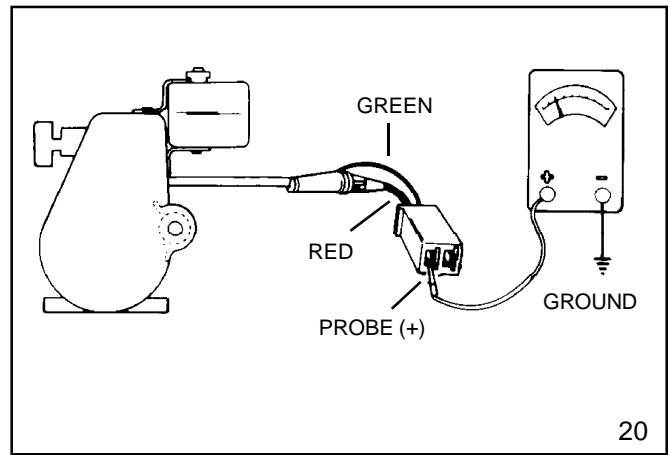
3000 R.P.M. - 22.0 Volts A.C.

3300 R.P.M. - 24.0 Volts A.C.

3600 R.P.M. - 26.0 Volts A.C.

If low or no voltage is experienced, replace the alternator. If the alternator puts out the minimum A.C. voltage, replace the diode.

To replace the diode, disconnect at plug (spade terminal) and cut the wire on the opposite end of the diode at the solderless (crimped) connector. Remove 1/4" (6.35 mm) of insulation from the cut end of the wire and twist the strands together. Place the solderless connector from the new diode onto the exposed 1/4" (6.35 mm) wire and crimp the connector with a standard electricians pliers. Reconnect plug end (or spade connector (diag. 22).





## 5 Amp Alternator System Regulator-Rectifier Under Blower Housing

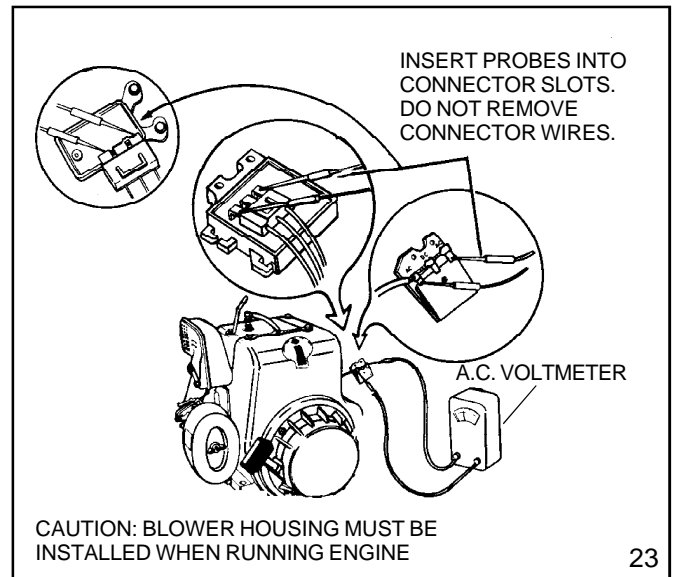
**CHECKING THE SYSTEM:** An open circuit D.C. voltage check cannot be made with this system. If a known good battery fails to maintain a charge, proceed to make an A.C. voltage test.

To do this, the blower housing must be removed, and the regulator-rectifier must be brought outside of the blower housing.

Disconnect the red D.C. output connector at the wiring harness and connect the probes from an A.C. voltmeter to the wire terminals at the regulator-rectifier (diag. 23).



**CAUTION: AT NO TIME SHOULD THE ENGINE BE STARTED WITH THE BLOWER HOUSING REMOVED.**



With the engine running, the minimum values should read:

2500 R.P.M. - 19.0 Volts A.C.

3000 R.P.M. - 23.0 Volts A.C.

3300 R.P.M. - 26.0 Volts A.C.

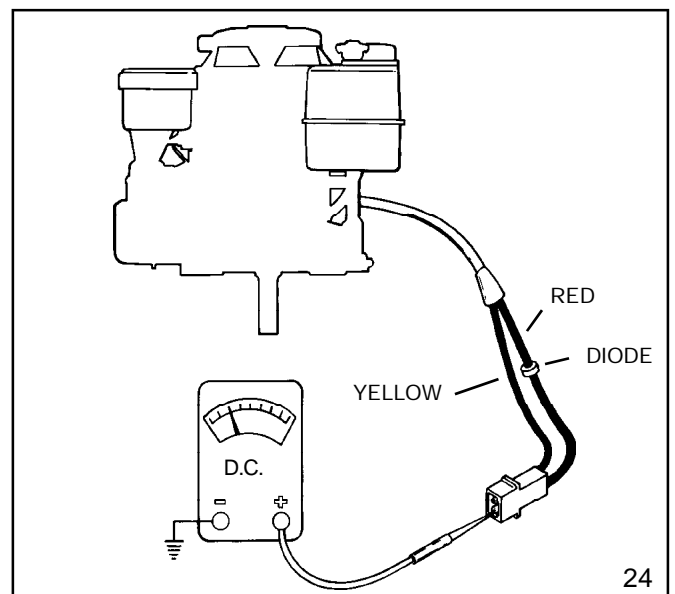
3600 R.P.M. - 28.0 Volts A.C.

If the minimum values are noted, the alternator is okay; the regulator-rectifier is defective. If less than above readings, the alternator is defective. See Chapter 9 for "Disassembly Procedure".

## 3 Amp D.C. 5 Amp A.C. Alternator

**Models: H & HSK 50-60, HH50-60, HM & HMSK 70-80-90-100, TVM125-140-170-195-220, TVXL195-220**

This unit combines a 3 Amp D.C. system used to charge a battery with a 5 Amp A.C. system used for lighting. Located in the red wire of the harness is a diode which converts the alternating current to direct current for charging the battery. The yellow wire provides the A.C. voltage for the lighting circuit.



(continued on top of next page)

**CHECKING THE SYSTEM:** To check the system, disconnect the plug and measure the D.C. voltage at the red wire terminal (diag. 24). Measure the A.C. voltage at the yellow wire terminal. With the engine running, the minimum values should be:

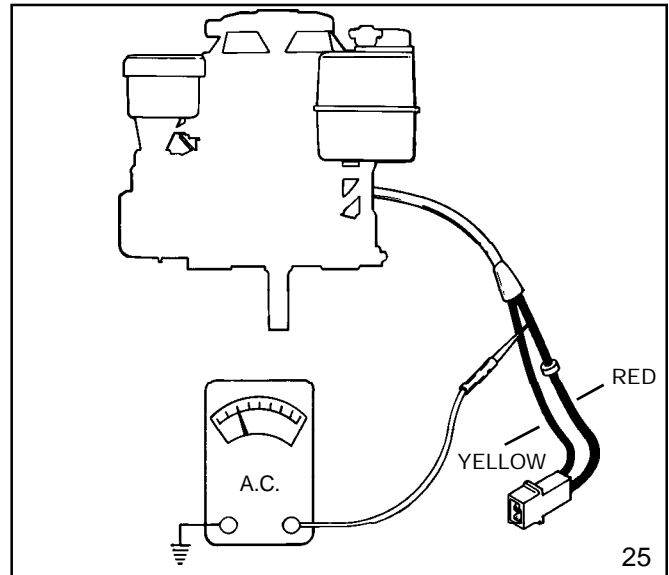
**3 Amp D.C.**

- 2500 R.P.M. - 8.0 Volts D.C.
- 3000 R.P.M. - 11.0 Volts D.C.
- 3600 R.P.M. - 13.0 Volts D.C.

**5 Amp A.C.**

- 2500 R.P.M. - 8.0 Volts A.C.
- 3000 R.P.M. - 11.0 Volts A.C.
- 3600 R.P.M. - 13.0 Volts A.C.

If the above minimum values are noted, system is okay. Check for defective lights, wiring or switches. If less than above values are noted, pull back the protective shrink tubing from the diode. Using an A.C. voltmeter, check the voltage going into the diode from alternator, at the lead on the alternator side of the diode (diag.25).



**All Models**

With the engine running, the minimum values should read:

- 2500 R.P.M. - 20.0 Volts A.C.
- 3000 R.P.M. - 25.0 Volts A.C.
- 3300 R.P.M. - 26.5 Volts A.C.
- 3600 R.P.M. - 29.0 Volts A.C.

If low or no voltage is experienced, replace the alternator. If the alternator puts out the minimum A.C. voltage, replace the diode.

**7 Amp Alternator System Regulator-Rectifier External to Engine**

**CHECKING THE SYSTEM:** To check the system, disconnect the D.C. or B+ wire at the switch end and measure D.C. voltage between the lead and ground (diag. 26).

With the engine running, minimum values should read:

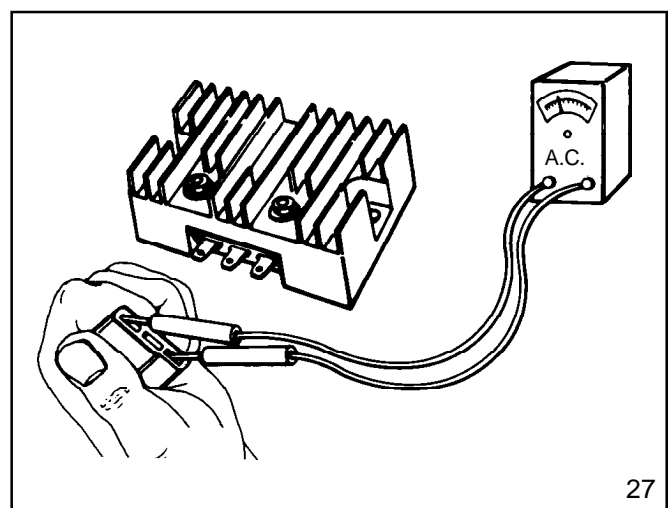
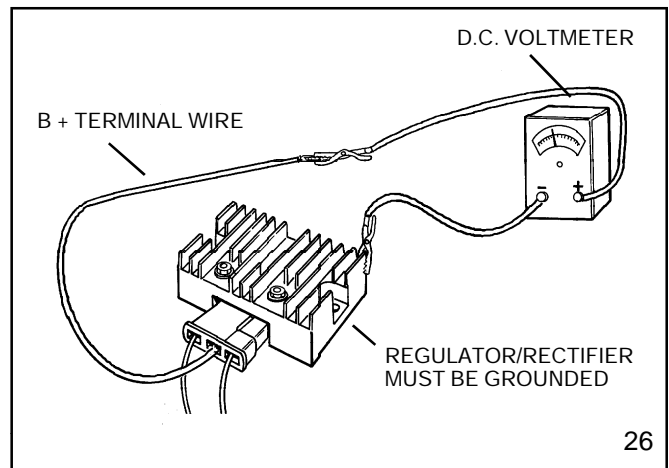
- 2500 R.P.M. - 9.0 Volts D.C.
- 3000 R.P.M. - 11.0 Volts D.C.
- 3600 R.P.M. - 14.0 Volts D.C.

If the minimum readings are noted, system is okay. Check for defective ammeter, wiring, etc. If less than the above readings, disconnect the plug from the regulator-rectifier, and insert the A.C. voltmeter probes in the two outside terminals (diag. 27).

With the engine running, minimum values should read:

- 2500 R.P.M. - 12.0 Volts A.C.
- 3000 R.P.M. - 14.0 Volts A.C.
- 3600 R.P.M. - 18.0 Volts A.C.

If the minimum readings are noted, the alternator is okay; the regulator-rectifier is defective. If less than the above readings, the alternator is defective. See Chapter 9 for "Disassembly Procedure".



## 7 Amp Alternator System Regulator-Rectifier Under Engine Block Housing Models: H50-60, HH50-60, HM70-80-100, HHM80, TVM125-140-170-195-220

In this system, the regulator and rectifier are combined in one solid state unit mounted under the blower housing of the engine.

Various types of regulator-rectifiers have been used on different applications. Test procedures for all types are the same. However, regulator styles are not interchangeable (diag. 28).

**CHECKING THE SYSTEM:** An open circuit D.C. voltage check cannot be made with this system. If a known good battery fails to maintain a charge, proceed to make an A.C. voltage test.

To do this, the blower housing must be removed, and the regulator-rectifier must be brought outside of the blower housing.

Keep the A.C. leads attached to the regulator-rectifier. Install the blower housing with the regulator-rectifier outside the housing. With an A.C. voltmeter probe the regulator as shown (diag. 29)



**CAUTION: AT NO TIME SHOULD THE ENGINE BE STARTED WITH THE BLOWER HOUSING REMOVED.**

With engine running, minimum A.C. voltage from lead to lead should be:

- 2500 R.P.M. - 16.0 Volts A.C.
- 3000 R.P.M. - 19.0 Volts A.C.
- 3300 R.P.M. - 21.0 Volts A.C.
- 3600 R.P.M. - 23.0 Volts A.C.

If the minimum readings are noted, the alternator is okay. If the system fails to charge a known good battery, the regulator-rectifier must be defective.

## 10 Amp Alternator System - Regulator-Rectifier-External to Engine

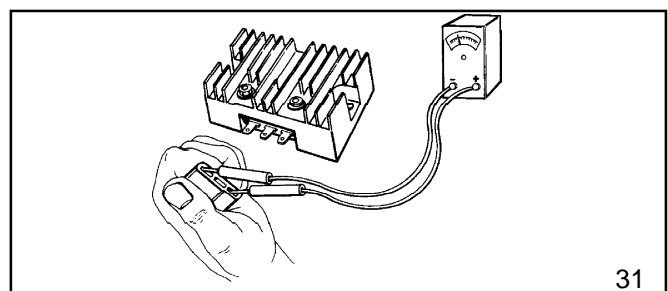
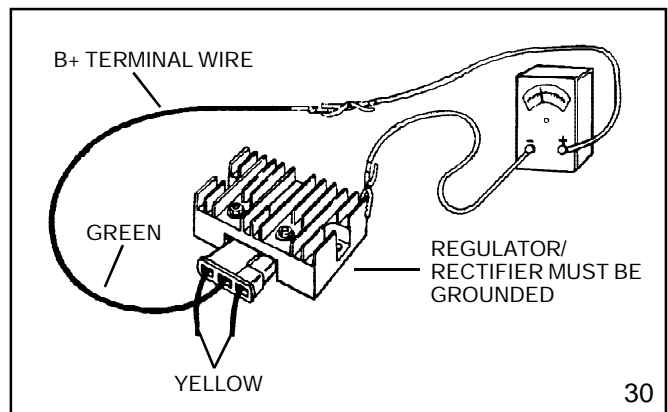
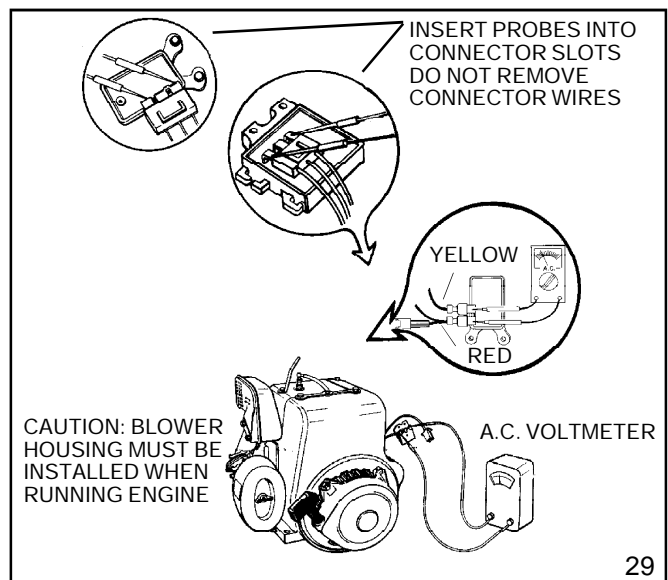
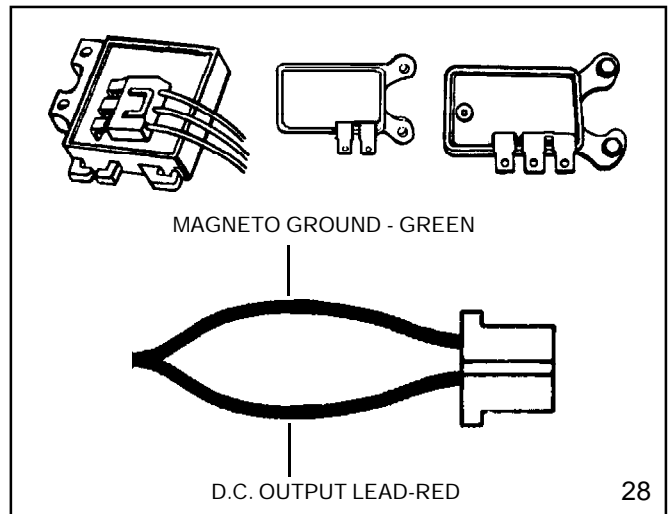
In this system, the regulator and rectifier are combined in one solid state unit.

**CHECKING THE SYSTEM:** To check the system, disconnect the D.C. or B+ wire at the switch end and measure D.C. voltage between the lead and ground (diag. 30).

With the engine running, minimum values should read:

- 2500 R.P.M. - 13.0 Volts D.C.
- 3000 R.P.M. - 16.0 Volts D.C.
- 3600 R.P.M. - 20.0 Volts D.C.

If the minimum values are noted, the system is okay. Check for defective ammeter, wiring, etc. If less than the above readings, disconnect the plug from the regulator-rectifier, and insert the A.C. voltmeter probes in the two outside terminals (diag. 31).



(continued on top of next page)

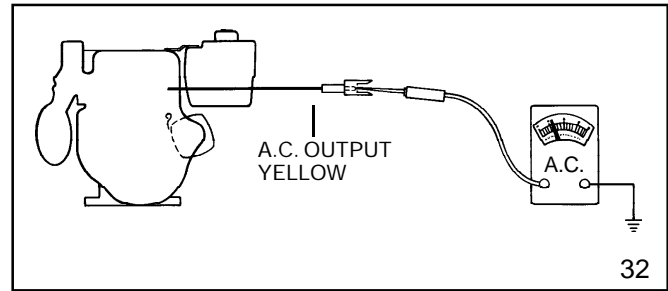
With the engine running, minimum values should read:

2500 R.P.M. - 16.0 Volts A.C.

3000 R.P.M. - 19.0 Volts A.C.

3600 R.P.M. - 24.0 Volts A.C.

If the minimum readings are noted, the alternator is okay; the regulator-rectifier is defective. If less than above readings, the alternator is defective. See Chapter 9 for "Disassembly Procedure".



## 10 Amp Alternator

**Models: H & HSK 50-60, HH50-60, HM & HMSK 70-80-100, HHM80, TVM125-140-170-195-220**

**CHECKING THE SYSTEM:** Unplug the connector at the wiring harness supplied by the OEM. Proceed to make an A.C. output check. Place one lead of the A.C. voltmeter on the center plug of the connector. Place the other lead to engine ground (diag. 32).

With the engine running, minimum values should read:

2500 R.P.M. - 16.0 Volts A.C.

3000 R.P.M. - 20.0 Volts A.C.

3300 R.P.M. - 22.0 Volts A.C.

If less than above output, the alternator assembly is defective. See Chapter 9 for "Disassembly Procedure".

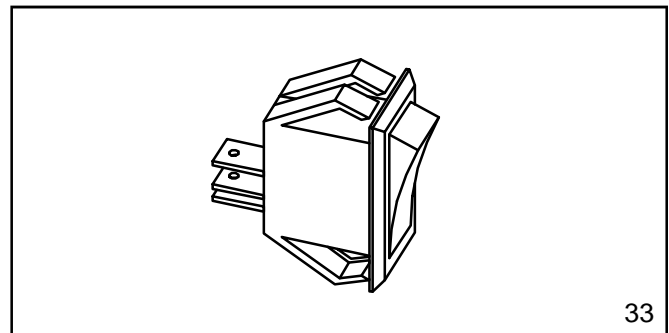
## VOLTAGE REGULATORS

If a known good or load tested battery fails to maintain a charge, the charging system and the regulator can be checked using a voltmeter. Set the voltmeter on the 0-20 Volt D.C. scale and connect the probes across the battery terminals as shown. Note the battery voltage. Start the engine, the voltage reading should increase from the noted battery voltage but not exceed 15 Volts D.C. If no voltage increase is noted, proceed to make an A.C. voltage check using the applicable procedure. If the battery voltage exceeds 15 Volts D.C., or the proper minimum A.C. voltage is noted during the check, replace the regulator.

## LOW OIL SHUTDOWN SWITCHES

Check the LOS switch while it is in the engine. The engine must be level, and the oil level at the full mark. Place the speed control in the run position. Remove the spark plug wire from the spark plug. Install a gap type tester connected to the spark plug wire and a good engine ground. Spin the engine over using the electric or recoil starter. A bright blue spark should be seen at the tester. If not, remove the blower housing and disconnect the LOS lead from the ignition module. Reinstall the blower housing and spin the engine over. If spark occurs now, replace the LOS switch. If no spark is seen, replace the ignition module.

## ON/OFF LIGHTED ROCKER SWITCH W/LOW OIL SHUTDOWN

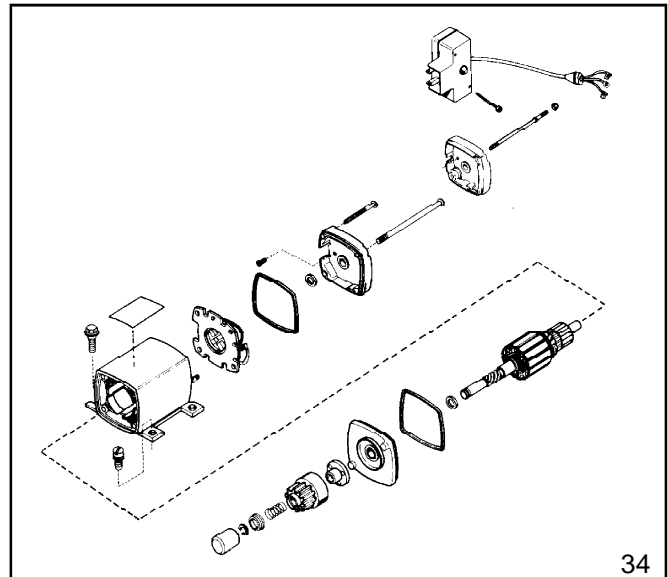


## SERVICE

This section covers the service procedures for the 12 and 120 volt electric starters. For diagnosis of the starting circuit see "Electrical Starter Troubleshooting" in this chapter. Illustrations may not be identical in configuration to the starter being serviced, but procedures and tests apply unless otherwise stated.

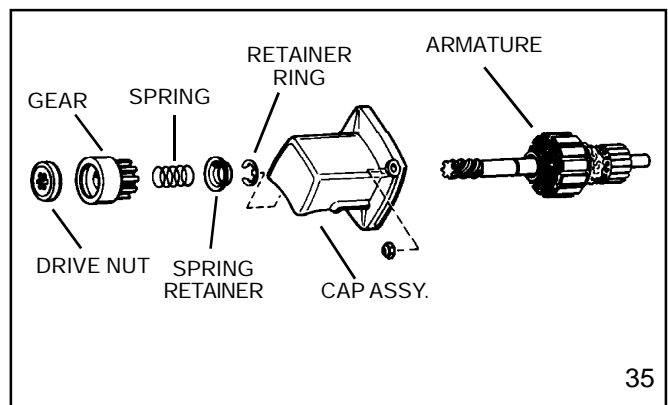
### 12 VOLT OR 120 VOLT ELECTRIC STARTERS WITH EXPOSED SHAFT

1. Remove the plastic dust cover on the armature end (diag. 34).
2. Push down the spring retainer and remove the retainer ring.
3. Slide off the spring retainer, anti-drift spring, gear, and drive nut.
4. If internal service is necessary, scribe a line across the cap assemblies and armature housing to aid in reassembly.
5. Remove the two or four retaining nuts from the through bolts holding the cap assembly.
6. Slide off the cap assembly. The terminal insulator slides out of the commutator cap.
7. Remove the armature.
8. Inspect and replace as necessary.
9. Use the reverse procedure for reassembly.
10. **Inspect flywheel ring gear for damage before installation.**



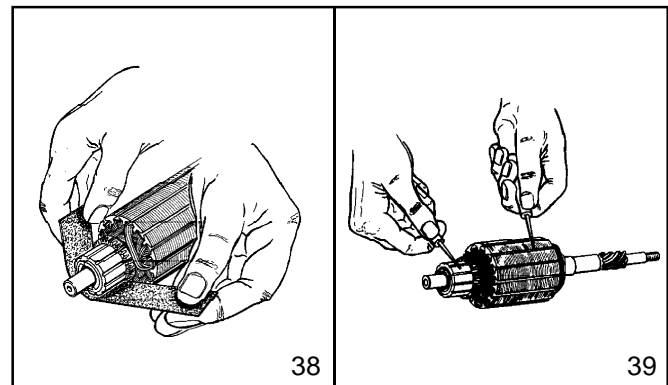
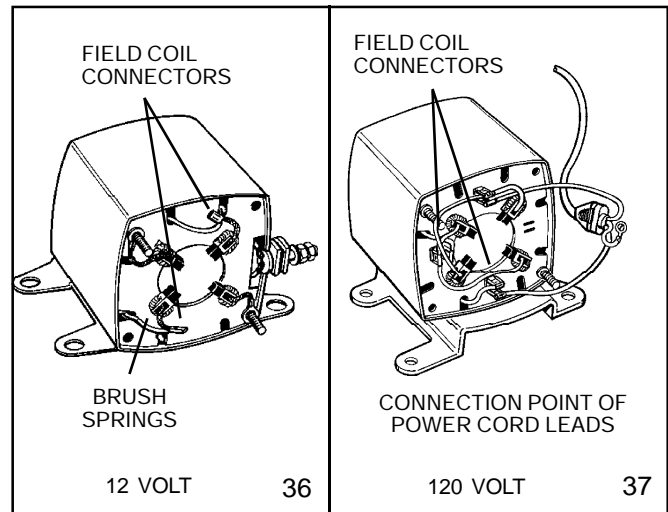
### 12 VOLT D.C. OR 120 VOLT A.C. ELECTRIC STARTERS WITH CAP ASSEMBLY

1. Remove the retainer ring from the armature shaft (diag.35).
2. Remove the two nuts from the through bolts holding the cap assembly on.
3. Slide off the cap assembly. The engaging nut, gear, spring, and spring retainer will remain in the cap assembly.
4. If complete disassembly is required, refer to step # 4 in the previous section for additional steps.
5. Inspect and replace as necessary. Use reverse procedure for assembly. ( For ease of assembly, place the armature into the brush end frame first.)
6. **Inspect flywheel ring gear for damage before installation.**



## INSPECTION AND REPAIR

1. The pinion gear parts should be checked for damage or wear. If the gear does not engage or slips, it should be washed in solvent (rubber parts cleaned in soap and water) to remove dirt and grease, and dried before reassembly. Also check the armature and drive nut splines for wear or damage. Replace parts as necessary.
2. The brushes and brush card holder should be checked for wear. With the armature in place and the brushes engaging the commutator surface, check the brushes for wear. Brushes should be replaced if the brush wire approaches the bottom of the brush holder slot. Brush springs must exhibit enough strength to keep tension on the brushes and hold them on the commutator.
3. The field windings can be checked using a continuity light or ohmmeter. Attach one lead to each field coil connection. Continuity should exist between each field coil connection, and no continuity should exist between the field coil connections and the starter housing (diag. 36 & 37).
4. The armature should be checked for glazing or wear. If necessary the armature can be turned down in a lathe. While rotating, polish the commutator bars using a piece of 00 sandpaper (diag. 38). Light pressure and back and forth movement should be used. Recut the commutator bars to a depth equal to the width of the insulators between the bars. Check for continuity between the copper commutator bars and the iron of the armature, none should exist (diag. 39). If any is noted the armature must be replaced.



## Brush Card Replacement

1. Loosen but do not remove the two nuts on the starter terminal post.
2. Remove the nuts holding the end cap in place. Remove the end cap and the thrust washer.
3. Grasp the thru bolts using a vise grip positioned as close to the flanged end as possible to prevent thread damage. Remove the two nuts holding the driving end cap in place. Remove the armature and driving cap assembly, followed by the two thru bolts. Notice the position of the brush ground eyelet under the thru bolt flange.
4. Note or mark the position of the connectors of the brush wires. Use a wire cutter to clip the solid field wires as close to the connectors as possible.
5. Note or mark the brush card in the starter housing and remove the brush card assembly. Clean the accumulated dirt off all starter parts. Scrape the insulating varnish off the last 1/2" (12.7 mm) of the solid field wires.
6. Insert the new brush card into position while guiding the solid field wires through the proper slots in the brush card.
7. Crimp and solder the brush leads to the solid field wires. Use a needle nose pliers or vise grip to hold the woven brush lead close to the connector while soldering. This prevents solder and heat from flowing up the brush lead. Insulate the crimped connection nearest the starter terminal post using electrical tape or heat shrink tubing. Route the wires to prevent damage during assembly.
8. Install the armature into the housing while spreading the brushes. Install the thru bolts while checking to make sure the bolts go thru the ground brush eyelet terminals. Install and tighten the drive end thru bolt nuts, but do not overtighten.
9. Install the thrust washer (cupped side faces towards the end cap) on the end of the armature and then install the starter end cap. Secure the cap with the locking nuts and tighten the nut on the starter terminal post. Rotate the armature by hand to check for binding before installation on the engine.

# CHAPTER 7 FLYWHEEL BRAKE SYSTEMS

## GENERAL INFORMATION

Tecumseh's brake systems provide two methods of meeting compliance standards which has become a federal law as of June 30, 1982. There are two additional methods used by equipment manufacturers that also meet compliance standards and they are as follows:

1. Use of the blade brake clutch in conjunction with either a top or side mounted recoil starter or 12 volt electric starter. The blade stops within three seconds after the operator lets go of the blade control bail at the operator position and the engine continues to run. Starter rope handle is either on the engine or on the equipment handle.
2. Use of a recoil starter (top or side mounted) with the rope handle on the engine as opposed to within 24 inches (60.9 cm) of the operator position. This method is acceptable if the mower deck passes the 360 degree foot probe test. A specified foot probe must not contact the blade when applied completely around the entire blade housing. This alternative can be used with engine mounted brake systems and typical bail controls. The blade stops within three seconds after the operator lets go of the engine/blade control bail at the operator position.

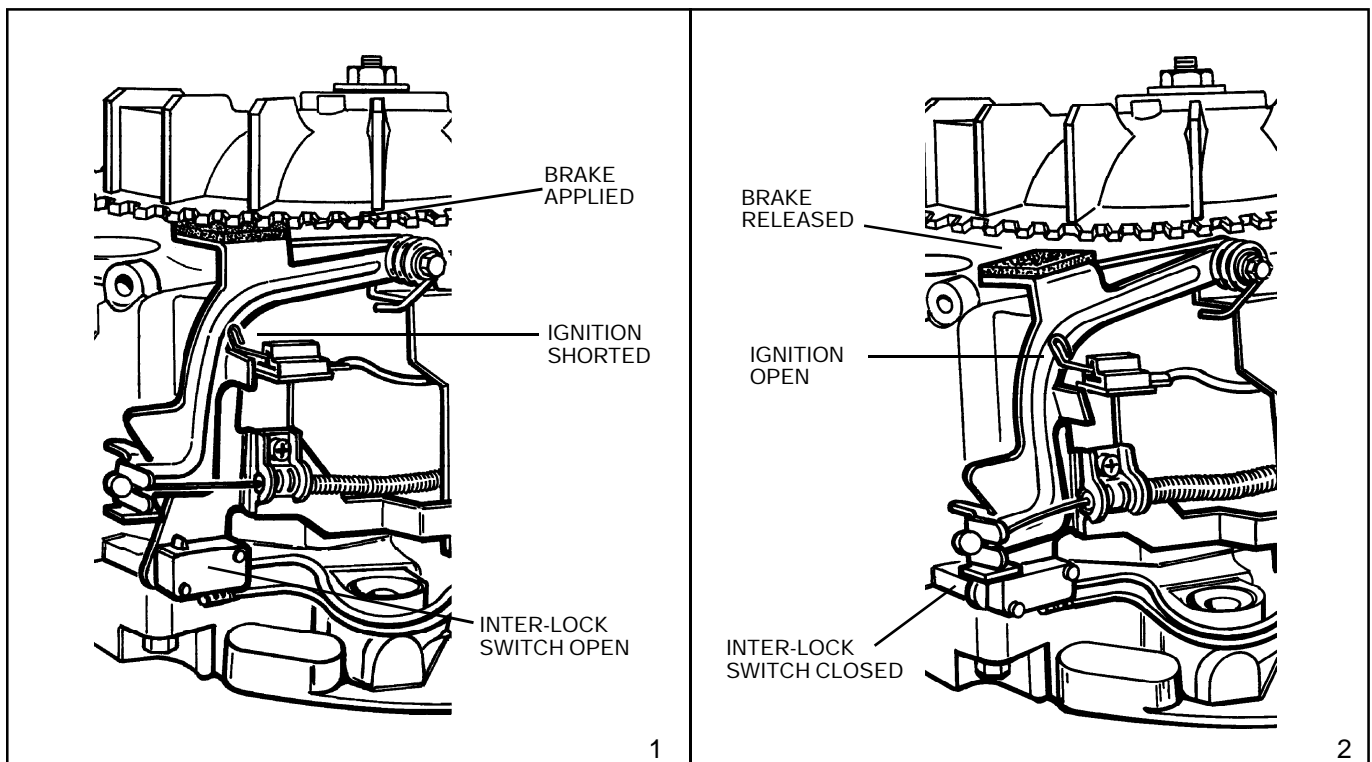
Tecumseh's Flywheel Brake system provides consumer safety by stopping the engine and blade within three seconds after the operator releases the engine/blade control bail at the handle of the lawnmower. These systems are available on both recoil and electric start models. The engine stopping time is affected by the engine R.P.M. Consult microfiche card #30, the Plus 1 or Parts Smart Look-Up system, or Service Bulletin #107 to determine the correct engine RPM or blade tip speed.

## OPERATION

### BOTTOM SURFACE SYSTEM

In the stop position with the handle mounted engine / blade control released, the torsion spring rotates the brake lever forcing the brake pad against the underside of the flywheel, actuates the ignition kill switch and on electric start models, opens the starter interlock switch (diag. 1).

In order to restart the engine, the handle mounted engine / blade control must be applied. This action pulls the brake pad away from the flywheel, opens the ignition kill switch and on electric start models, closes the starter interlock switch. This will allow the engine to be started by energizing the starter with a starter switch (diag. 2).

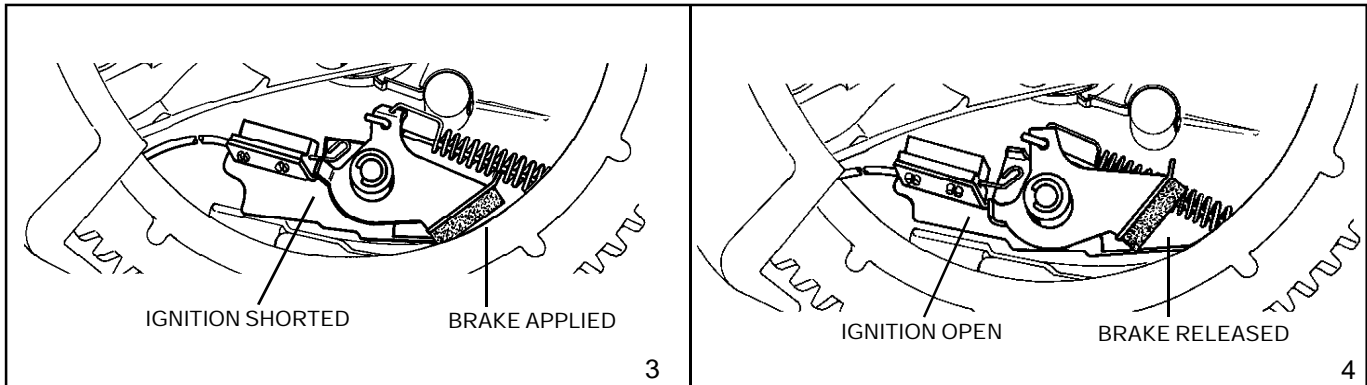


## OPERATION (CONTINUED)

### INSIDE EDGE SYSTEM

In the stop position the brake pad is applied to the inside edge of the flywheel, at the same time the ignition system is grounded (diag. 3).

In order to restart the engine, the brake control must be applied. This action pulls the brake pad away from the inside edge of the flywheel and opens the ignition kill switch. On electric start systems the starter is energized by an ignition switch or a two motion control. On non-electric start systems, the recoil starter rope must be pulled to start engine (diag. 4).



### COMPONENTS

Both the Bottom Surface and the Inside Edge systems use the following components:

The **brake lever and pad** assembly consists of a steel lever with a brake pad bonded to the lever (diag. 5).

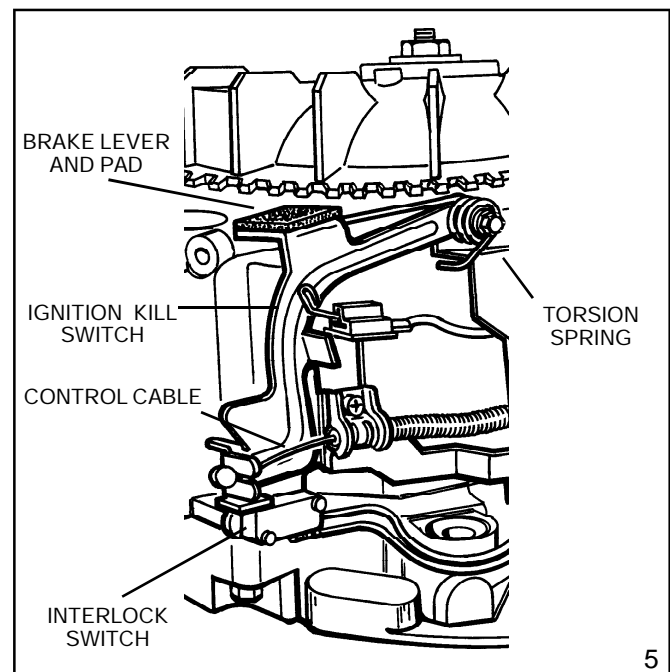
The **ignition kill switch** is a plastic block with a wire extending out of it. The wire is attached to a terminal which is connected to the ignition kill wire. The brake lever contacts and grounds the wire of the switch when the engine / blade control is released, and the ignition module is grounded. This in turn kills the ignition (diag. 5).

The **interlock switch** is a push button switch that is activated by the brake lever when the engine / blade control is actuated. If there is a starter switch used to start the engine, the interlock switch acts as a safety switch and will not allow the starter to crank unless the engine / blade control is depressed.

Where a two motion control is used the interlock switch is utilized as the starter switch.

The **Torsion Spring** supplies the pressure to the brake lever and brake pad to stop the flywheel.

The **Control Cable** transfers the motion of the engine / blade control to the brake system.





## SERVICE

If the brake system fails to kill the ignition and stop the blade within 3 seconds the following service procedures should be followed.

### FLYWHEEL REMOVAL

**NOTE:** BEFORE THE FLYWHEEL IS REMOVED OR REPLACED, THE BRAKE PRESSURE ON THE FLYWHEEL MUST BE RELIEVED AS OUTLINED BELOW UNDER "BRAKE LEVER AND PAD".

Remove the flywheel as outlined in Chapter 9 under "Disassembly".

### BRAKE LEVER AND PAD

#### Bottom Surface

To relieve the brake pressure on the flywheel, remove the torsion spring by firmly grasping the short end of the spring with a pliers and unhook the spring from the bracket then remove the flywheel (diag. 6).

Remove the brake lever and pad assembly. Inspect the brake pad for dirt, oil or grease contamination. If the pad is contaminated, or if there is less than .060" (1.524 mm) of brake pad material at the pad's thinnest point, replacement is necessary. The brake pad is bonded to the brake lever and must be replaced as an assembly. Install the brake lever and pad assembly and continue to reassemble the brake system in the reverse order of disassembly.

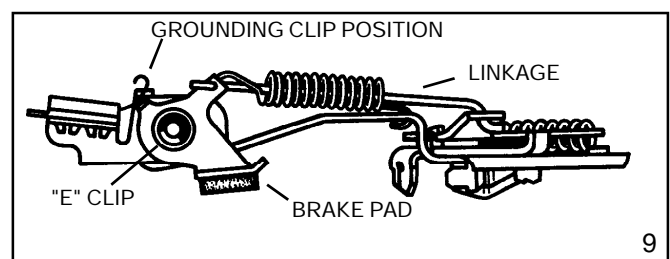
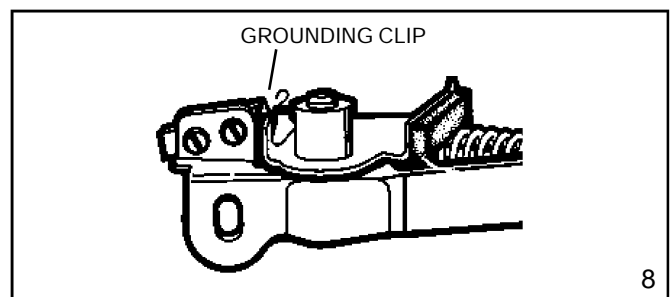
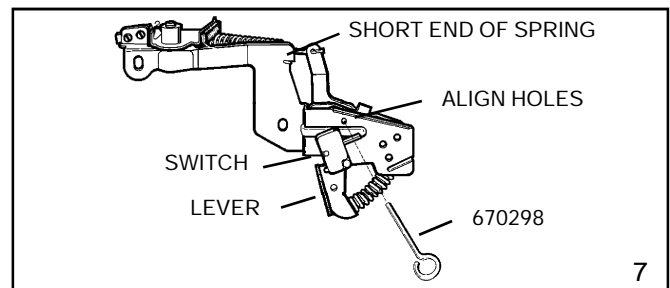
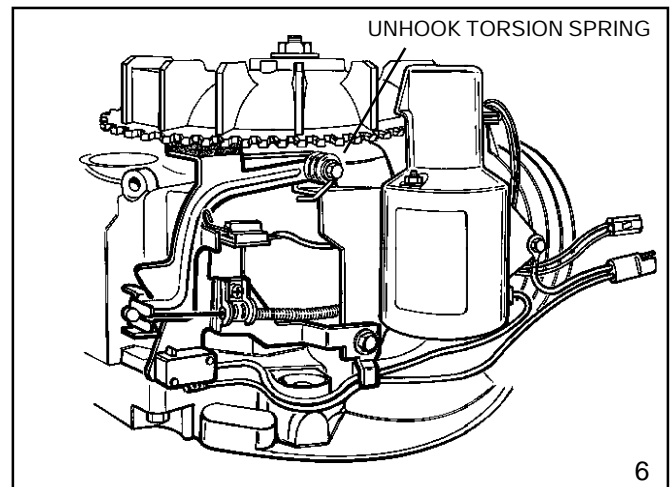
**NOTE:** WHEN REMOVING THE BRAKE BRACKET THE TORSION SPRING MUST BE RELEASED BEFORE THE TOP STARTER BOLT IS REMOVED OR THE THREADS IN THE CYLINDER BLOCK WILL BE DAMAGED.

#### Inside Edge

To relieve the brake pressure on the flywheel, compress the spring by moving the lever toward the spark plug, when the hole in the lever aligns with the hole in the bracket, secure the lever with alignment tool 670298 then remove the flywheel (diag. 7). Remove the alignment tool. Release the spring tension by unhooking the short end of the spring from bracket with a pliers. Remove the "E" clip from the brake pad shaft. Slide the pad lever from the shaft and unhook the link. Inspect the brake pad for dirt, oil or grease contamination. If the pad is contaminated, or if there is less than .060" (1.524 mm) of brake pad material at the pad's thinnest point, replacement is necessary. The brake pad is bonded to the brake lever and must be replaced as an assembly. Rehook the link, install the brake lever and pad assembly, install the "E" clip, rehook the short end of the spring and continue to reassemble the brake system in the reverse order of disassembly.

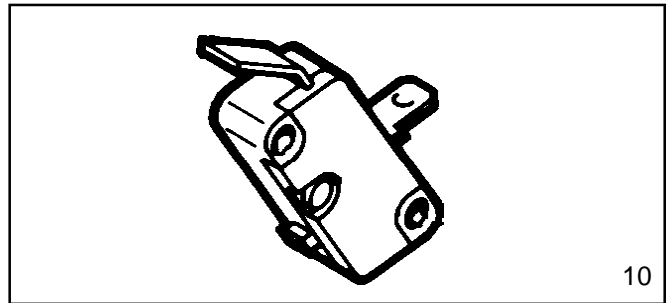
### IGNITION GROUNDOUT TERMINAL

Inspect the ignition kill switch grounding clip for proper alignment and contact with the brake arm. Insure that all electrical connections are clean and secure (diag. 8 & 9).



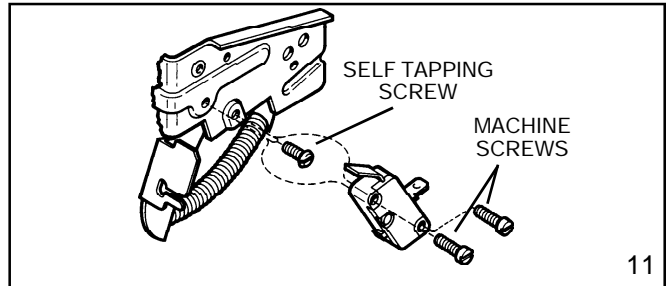
## STARTER INTERLOCK SWITCH

The engine / blade control must close the interlock switch before the starter can be engaged. To check the interlock switch, use an ohmmeter or continuity light to perform a continuity check. Continuity should exist between the two terminals when the interlock switch button is completely depressed. No continuity should exist when the button is released. If the switch fails replace the switch (diag. 10).



10

To replace the interlock switch, carefully grind the heads off of the rivets that fasten the interlock switch to the brake bracket. Remove the rivets from the back side of brake bracket. Use the self-tapping screw supplied with the new switch to make threads in the bracket. Install the interlock switch onto the brake bracket in the proper position and secure the switch to the brake bracket with the machine screws supplied. Be careful not to overtighten the screws as switch breakage can occur (diag. 11).

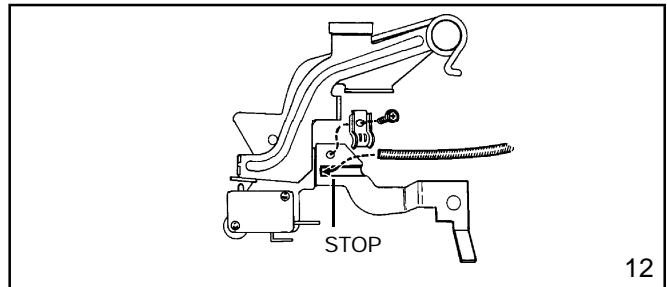


11

## CONTROL CABLE

### Bottom Surface

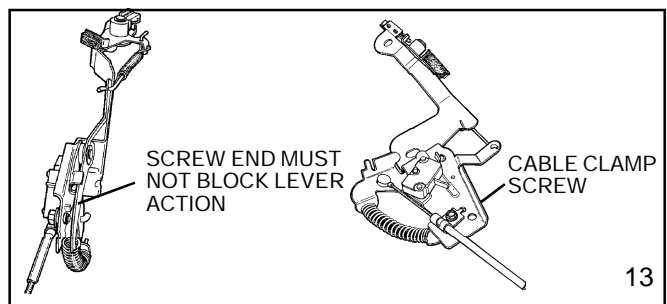
The control cable conduit must be assembled against the stop in the bracket. Make sure the bottom of the lever completely depresses the button on the starter interlock switch, if equipped, when the control is fully applied. The cable must provide enough travel so the brake will contact the flywheel. Some slack should exist in the cable adjustment to compensate for brake pad wear (diag. 12).



12

### Inside Edge

If replacing the cable conduit screw with a screw other than a service part replacement, be certain that the screw length is not too long as to prevent free travel of the lever. Make sure the button on the starter interlock switch is completely depressed when the control is fully applied. The cable must provide enough travel so the brake will contact the flywheel. Some slack should exist in the cable adjustment to compensate for brake pad wear (diag. 13).

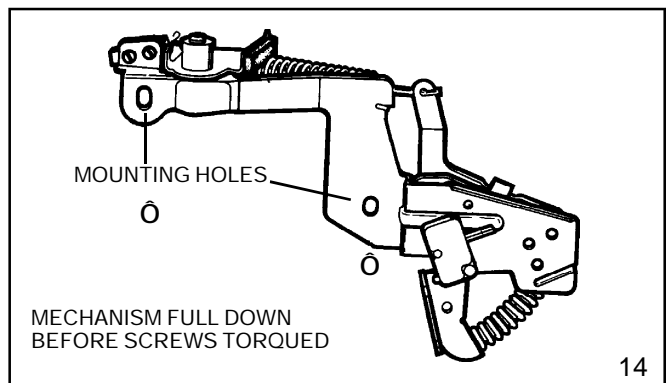


13

## BRAKE BRACKET REPLACEMENT

The tension must be relieved on the lower brake spring prior to the removal of the top electric starter bolt, or damage to the threads in the cylinder block can occur.

When installing a inside edge brake bracket assembly, be sure the slotted holes in the brake bracket are all the way down on the fasteners. This will properly align the brake bracket to the flywheel brake surface (diag. 14).



14

# CHAPTER 8 IGNITION

## GENERAL INFORMATION

The ignition systems used on Tecumseh engines are either solid state capacitor discharge modules or magneto ignition systems. The basic functional difference is that the solid state modules are triggered by an electronic switch (SCR). Magneto ignition systems rely on the mechanical action of opening and closing a set of moveable contact points to trigger when the spark will occur.

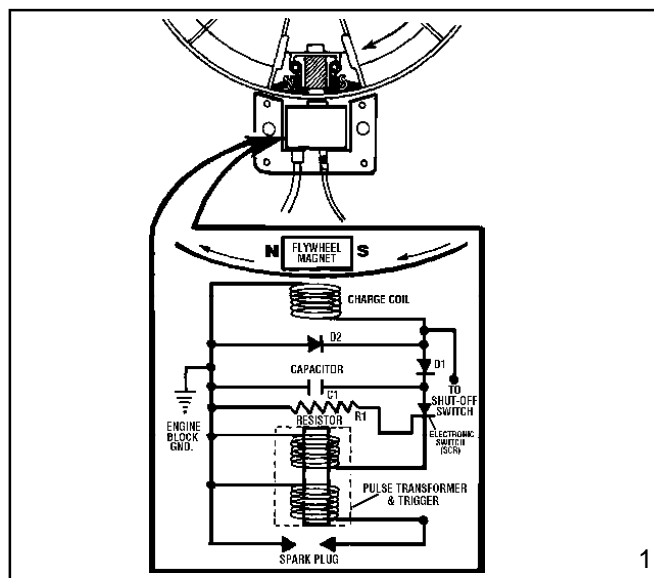
The solid state ignition system consists of a flywheel magnet and key, charge coil, capacitor, a silicon controlled rectifier, pulse transformer, trigger coil, high tension lead, and a spark plug. Everything except the flywheel magnet, key and the spark plug are located in a encapsulated ignition module. This solid state (CDI - Capacitive Discharge Ignition) module is protected by epoxy filler from exposure to dirt and moisture. This system requires no maintenance other than checks of the high tension lead and spark plug.

The Tecumseh magneto ignition consists of a stator assembly made of laminations, a coil, contact points, condenser, a permanent magnet mounted in the flywheel, high tension lead, and a spark plug. The coil is sealed by epoxy filler, and the points and condenser are sealed from dirt and moisture by a crankshaft seal and cover gasket.

## OPERATION

### SOLID STATE IGNITION SYSTEM (CDI)

As the magnets in the flywheel rotate past the charge coil, electrical energy is produced in the module. The energy is stored in the capacitor ( approx. 200 volts) until it is released by an electrical switch (SCR). As the magnet continues to rotate, it travels past a trigger coil where a low voltage signal is produced. This low voltage signal closes the SCR switch, allowing the energy stored in the capacitor to flow to a transformer where the voltage is increased from 200 volts at 200 RPM to 22,000 volts at 3000 RPM. This voltage flows through the high tension lead to the spark plug where it arcs across the electrodes and ignites the air-fuel mixture (diag. 1).

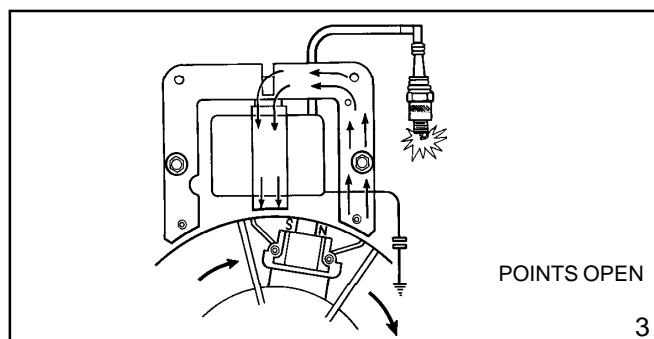
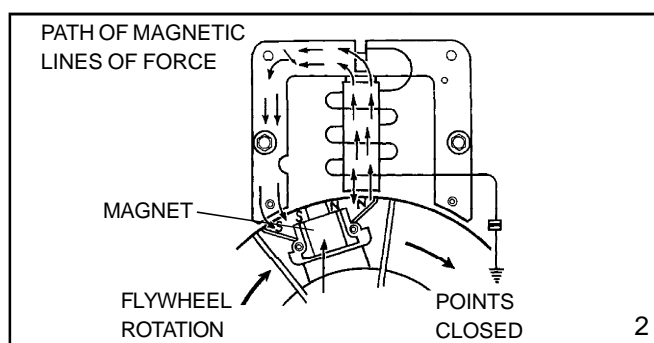


### MAGNETO IGNITION SYSTEM (POINTS)

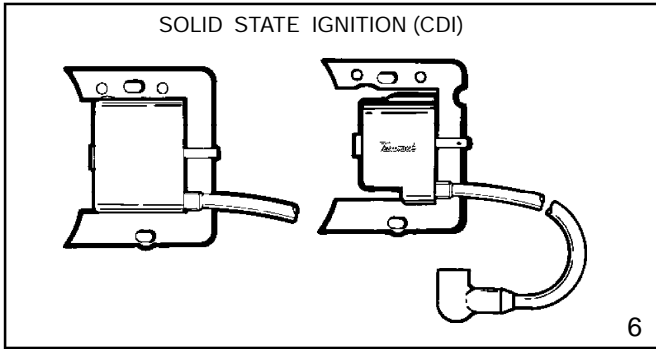
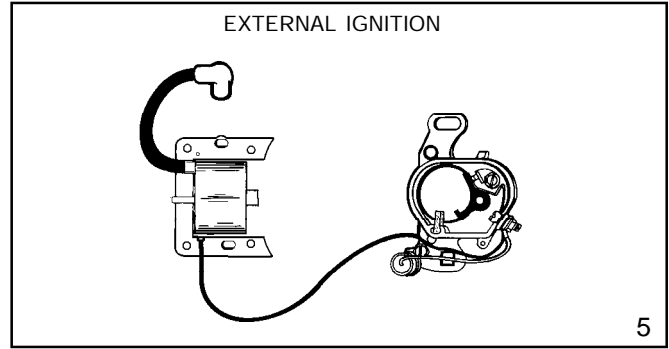
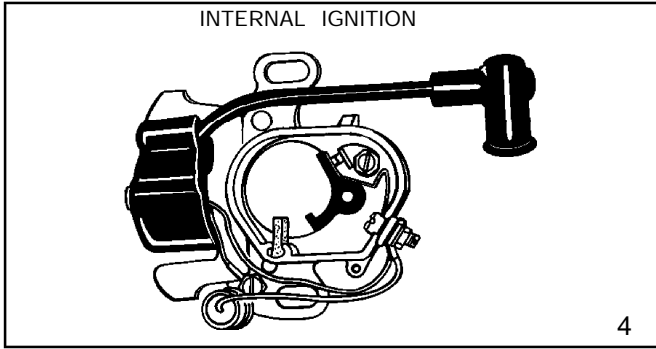
As the flywheel turns, the magnets that are mounted in the wheel, pass the coil mounted on the stator. As the magnet's North Pole enters the area of the center leg of the stator, a magnetic field is concentrated through the laminations to the magnet's South Pole. This causes a generation of current flow in the coil's primary winding. The ignition points are closed (diag. 2).

As the flywheel continues to rotate, the North Pole approaches the last leg of the lamination stack. The magnetic field through the center leg reverses, producing a large change in the magnetic field, and a high current in the primary side of the coil (diag. 3).

At this time, the contacts open and the primary current stops flowing. This change in current causes a voltage in the primary, which induces a high voltage in the secondary winding of the coil. The voltage travels through the spark plug wire, to the spark plug and jumps the gap of the plug to ignite the air/fuel mixture.

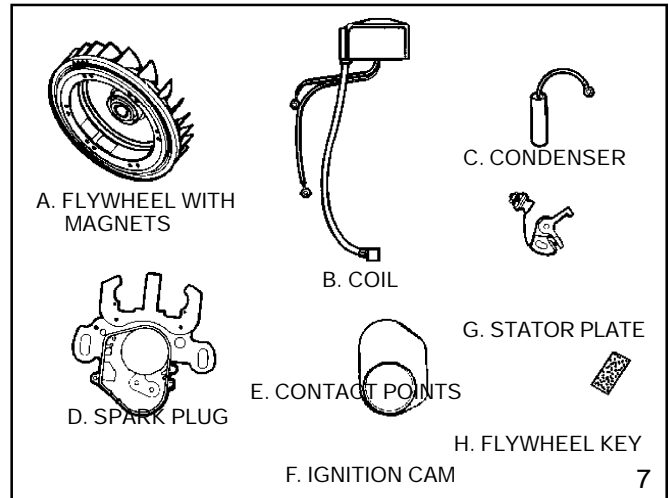


# IDENTIFICATION OF TECUMSEH IGNITION SYSTEMS

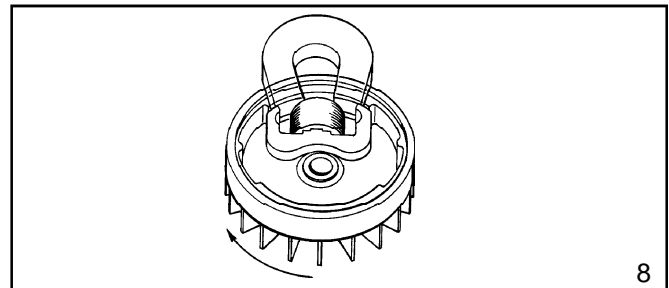


## COMPONENTS OF A TECUMSEH MAGNETO IGNITION SYSTEM (DIAG. 7)

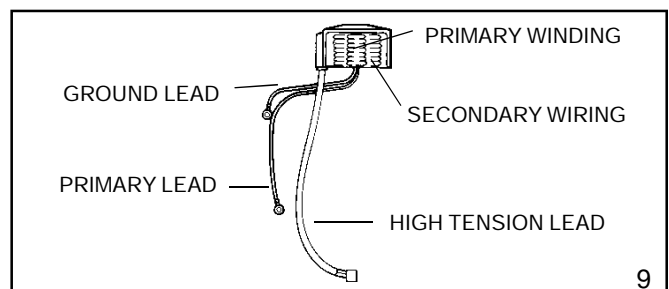
- A. Flywheel with magnets
- B. Coil
- C. Condenser
- D. Spark plug
- E. Contact points
- F. Ignition cam
- G. Stator plate (dust cover, cam wiper, and laminations.)
- H. Flywheel key



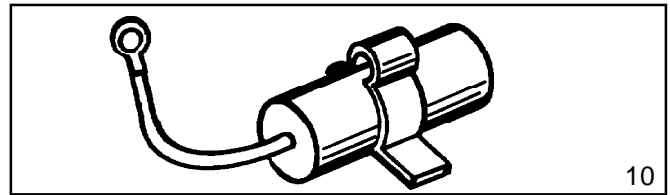
**The flywheel with magnets** provide the magnetic flux (or field) which is necessary to induce the low voltage in the primary circuit. A horseshoe magnet is a good example of how the magnets function in the flywheel. The magnets are either cast in or glued onto the flywheel, and are not a replaceable item (diag. 8).



**The ignition coil** is used to increase the low voltage in the primary to high voltage in the secondary, capable of jumping the spark plug gap. The coil consists of a primary and a secondary winding of wire. The primary is the low voltage (200 - 300 volts) winding, consisting of approximately 150 turns of heavy gauge wire next to the core. The secondary winding consists of approximately 10,000 turns of very fine wire wrapped over the primary. When induced by the primary, the secondary winding generates a voltage of between 10,000 - 20,000 volts, which can arc the spark plug gap (diag. 9).

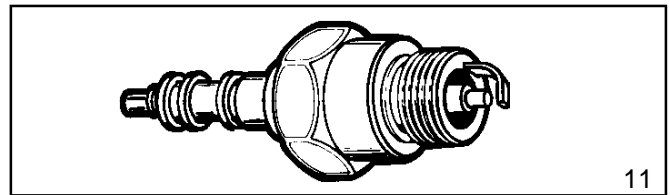


**The condenser** acts as an electrical shock absorber to prevent arcing between the contact points as they open. Arcing will lower the voltage at the spark plug, as well as burn and pit the contact points. The condenser is a replaceable item (diag. 10).



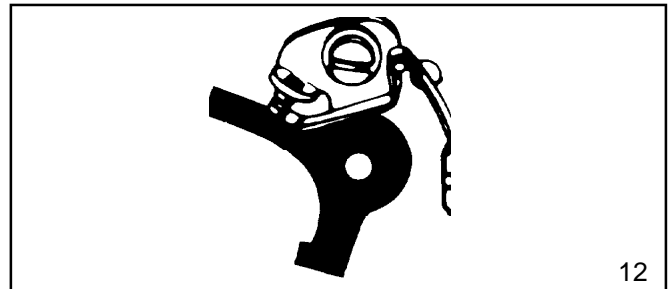
10

**The spark plug** is made up of two electrodes. The outside electrode is grounded and secured to the threaded sleeve. The center electrode is insulated with porcelain. The two are separated by an air gap which creates a resistance. A large voltage from the secondary arcs the air gap which causes a spark and ignites the air-fuel mixture in the cylinder (diag. 11).



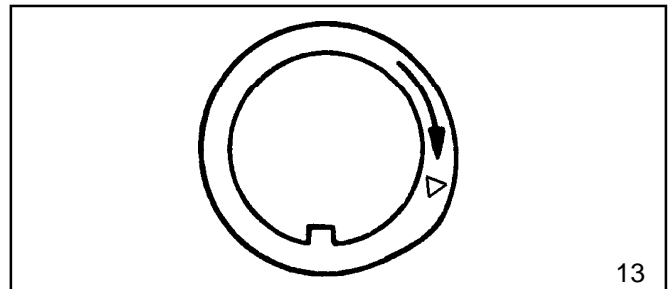
11

**The contact points** consist of an insulated, movable point that connects to the coil primary lead, and a stationary point that is grounded to the stator body. Spring tension holds the points together making a complete path for the primary circuit, and are opened by the action of the point arm which rests on the ignition cam. The contact points are a replaceable item (diag. 12).



12

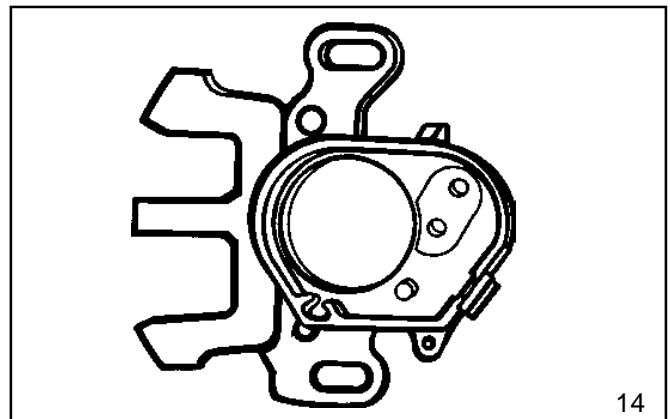
**The ignition cam** is an oblong device which rotates with the crankshaft, and opens the points for firing the ignition system. It is important to check the ignition cam for roughness, if rough replace the cam. When inserting the ignition cam onto the crankshaft make sure that the side stamped "TOP", or the side that has an arrow on it faces the mechanic (diag. 13).



13

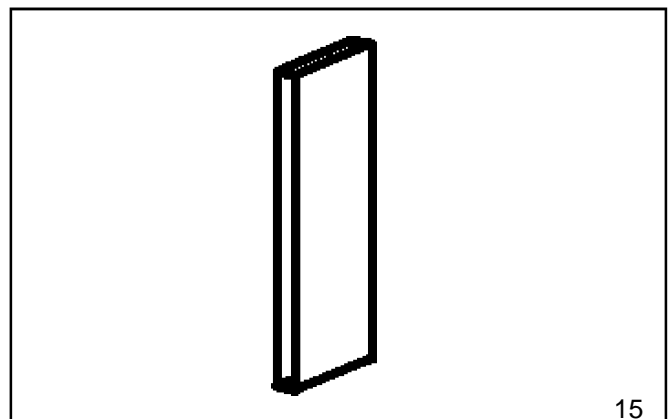
**NOTE:** SOME IGNITION CAMS ARE MACHINED DIRECTLY ONTO THE CRANKSHAFT AND ARE NOT REPLACEABLE.

**The stator plate** is an aluminum fixture which houses the points, cam wiper, condenser, and has the laminations riveted to it. The laminations are strips of iron riveted together to form an iron core. Rust or debris in between the laminations will hamper the performance of the ignition system. If corrosion on the laminations is severe, the stator plate should be replaced (diag. 14).



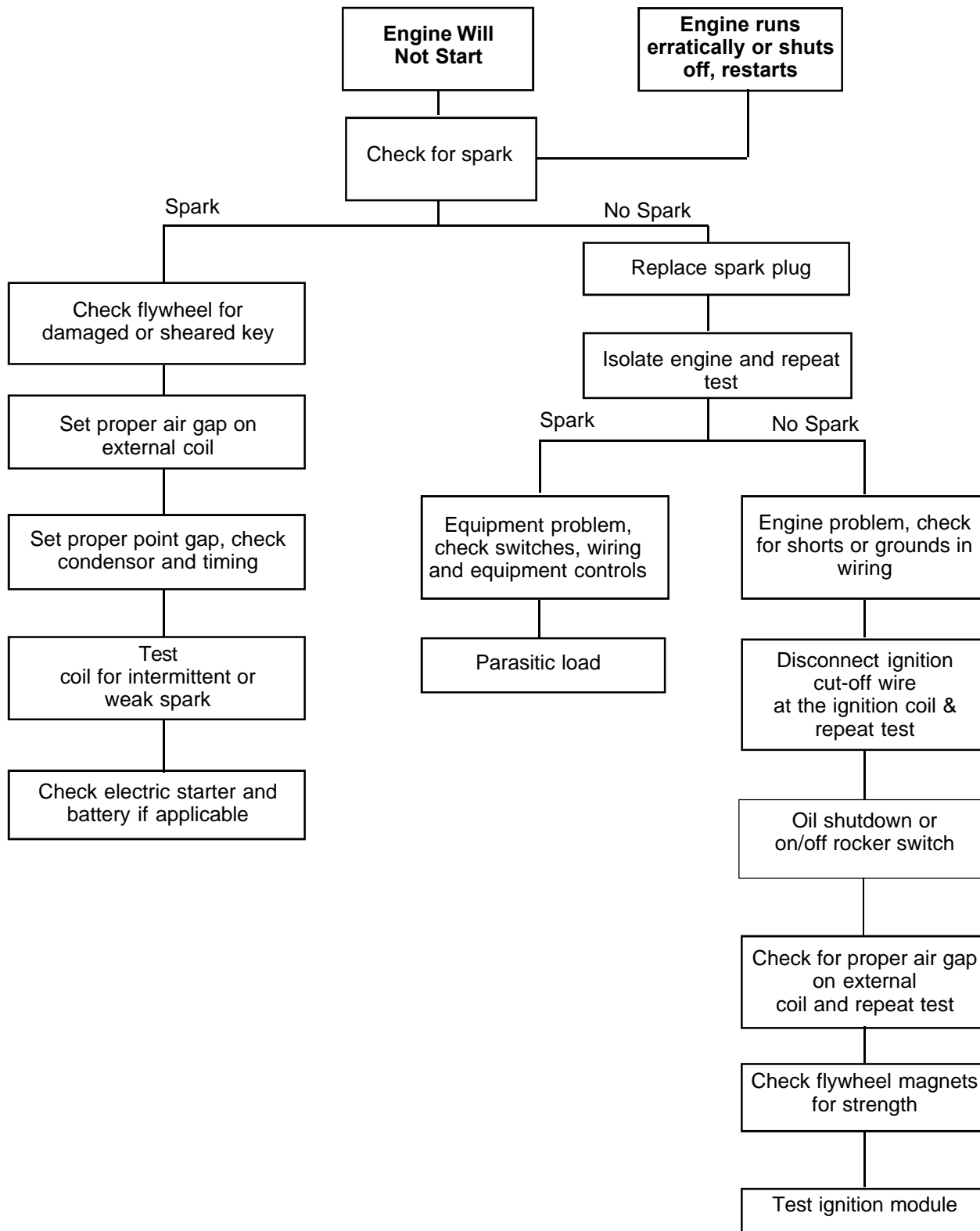
14

**The flywheel key** locates the flywheel to the crankshaft in the proper position. If a flywheel key is sheared, or partially sheared, the engine will not start or be difficult to start (diag. 15).



15

# IGNITION TROUBLESHOOTING



## TESTING PROCEDURE

1. Check for spark using a commercially available spark tester and following the tester's recommended procedure.
2. Check for the correct spark plug and for cracks in the porcelain, pitted or burned electrodes, excessive carbon buildup, and proper air gap setting. Replace if questionable.
3. Remove the blower housing, disconnect the ignition ground lead at the ignition coil (solid state only). Reinstall the blower housing and crank the engine over. If spark occurs, check the ignition switch, safety interlock switches, electrical wiring for shorting to ground, or oil shutdown switch.

**NOTE:** STANDARD POINT IGNITION MAY HAVE TO BE DISCONNECTED AT THE IGNITION SHUTOFF (AT THE SPEED CONTROL).

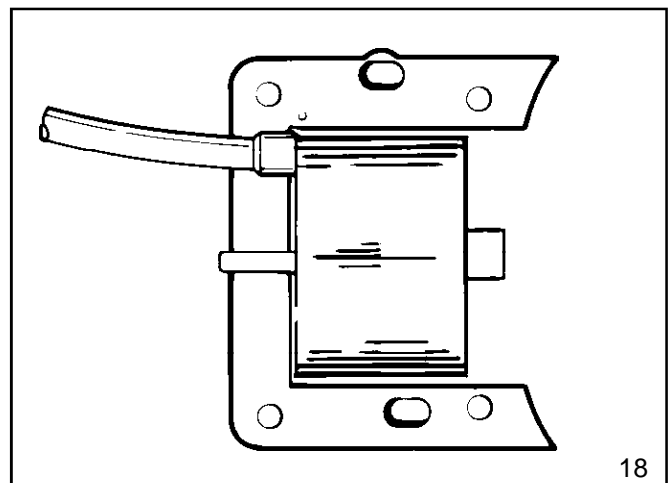
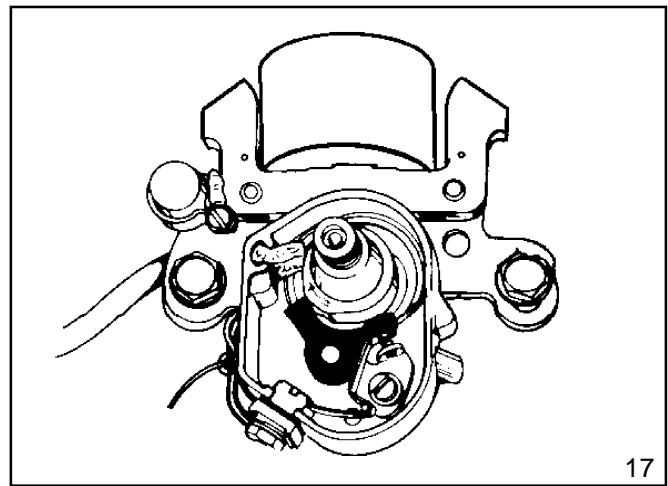
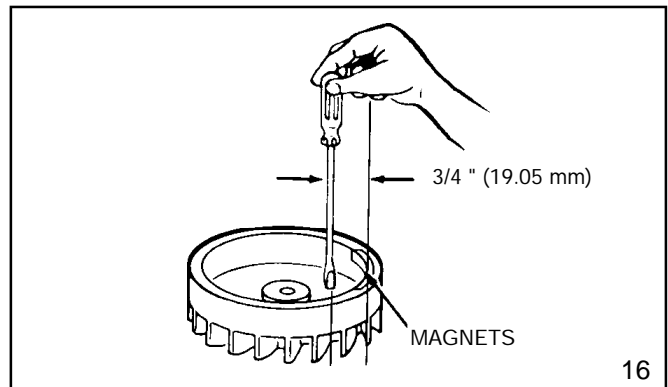
4. Check the air gap between the flywheel magnets and the laminations of an externally mounted coil or module. It should be .0125 (.317 mm) or use gauge part # 670297.
  5. Check the flywheel magnets for the proper strength using this rough test. Hold a screwdriver at the extreme end of the handle with the blade down, move the blade to within 3/4 inch (19.05 mm) of the magnets. If the screwdriver blade is attracted to the magnets, the magnetic strength is satisfactory (diag. 16).
6. Examine the stator components (diag. 17).

- A. Check the ignition cam for roughness.
- B. Check the movable point arm that rests on the ignition cam for wear.
- C. Check the spring steel on the point assembly for evidence of excessive heat.
- D. Check contact points for wear. If they are pitted or burned, this is an indication that the condenser is not functioning properly. If any of the above are faulty, replace accordingly.
- E. When replacing the points, also replace the condenser.
- F. After the points are replaced and engine is re-timed, be sure to clean the points with lint free paper. An engine will not run smoothly if the points are improperly set or coated with even a small quantity of oil, etc.

7. Examine the coil and lamination assembly (either internal or external) for cracks in the insulation or other damage which would cause shorts or leakage of current. Make sure the electrical leads are intact, especially where they enter the coil (diag. 18).
8. Check the operation of the coil using an approved tester. Follow the instructions furnished with the test unit or booklets offered by the Tecumseh Products Co. Engine and Transmission Group Service Division. If the coil or lamination assembly is defective, replace as necessary.

**NOTE:** IF LAMINATIONS ARE BAD ON AN INTERNAL COIL ASSEMBLY, THE ENTIRE STATOR BODY MUST BE REPLACED SINCE THE LAMINATIONS ARE PERMANENTLY RIVETED TO THE STATOR.

External coils are permanently attached to the lamination and must be serviced as an assembly.



16

17

18

## SERVICE

To remove ignition components from the engine, see Chapter 9 under "Disassembly".

### SPARK PLUG SERVICE

Spark plugs should be removed, cleaned, and adjusted periodically.

Check the air gap with a spark plug gap gauge and adjust accordingly. Set the spark plug gap at .030" (.762 mm) (diag. 19).

Replace the plug if the center and ground electrodes are pitted or burned, or if the porcelain is cracked or discolored.

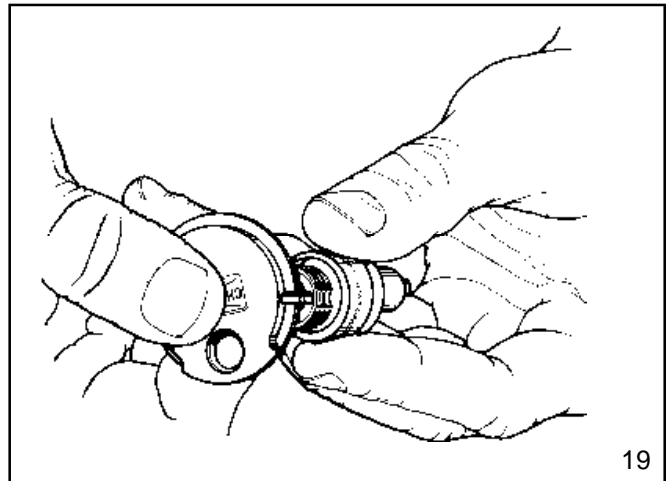
When reinstalling the plug make sure it is clean of all foreign material.

**NOTE:** DO NOT USE A SAND BLASTER TO CLEAN PLUGS, MICROSCOPIC PARTICLES LEFT IN THE PLUG CAN SCORE THE ENGINE CYLINDER DURING OPERATION. USE A SOLVENT AND A WIRE BRUSH TO CLEAN, AND BLOW OUT THOROUGHLY WITH COMPRESSED AIR.

Replace the spark plug with the proper spark plug. Consult the proper parts breakdown for the spark plug to be used in the engine being serviced.

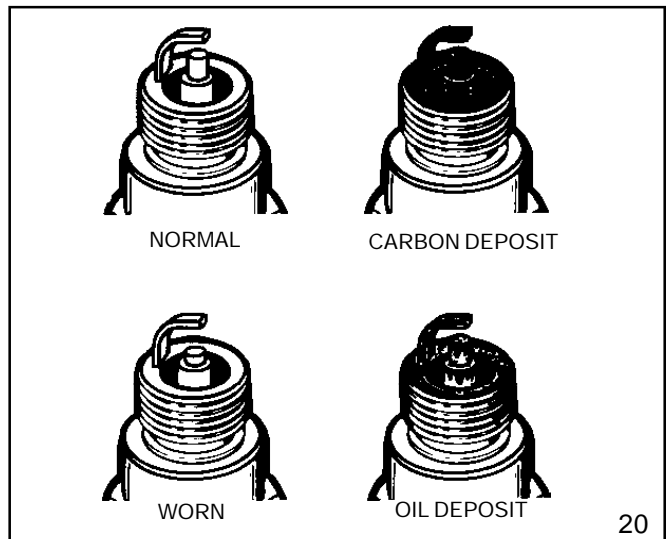
Set the spark plug gap at .030" (.762 mm).

Install the spark plug and tighten to 180 inch pounds torque (20.5 Nm). If a torque wrench is not available, screw spark plug in as far as possible, by hand, and use a spark plug wrench to turn spark plug 1/8 to 1/4 of a turn further if using the old spark plug or 1/2 of a turn further if using a new spark plug.



### CONDITIONS CAUSING FREQUENT SPARK PLUG FOULING

1. Carburetor setting too rich or air cleaner restricted.
2. Partially closed choke shutter.
3. Poor grade of gasoline.
4. Improper fuel.
5. Restricted exhaust system.
6. Incorrect spark plug.
7. Incorrect spark plug gap.
8. Oil level too high, or breather is restricted.
9. Faulty piston rings.
10. Weak ignition system.



### IGNITION TIMING PROCEDURE

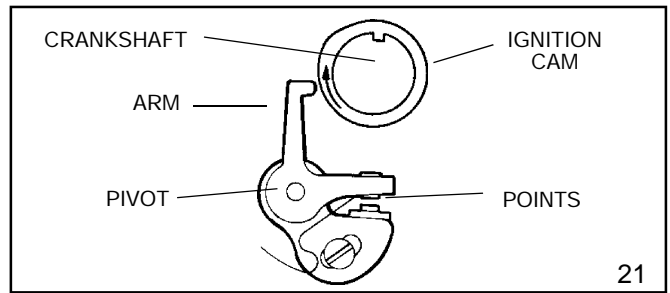
In order for an engine to run effectively and efficiently, the spark must ignite the compressed air-fuel mixture when the piston is in a specific position to deliver maximum power. This position is known as Before Top Dead Center (BTDC). If the mixture is ignited too soon, kickback can be experienced due to preignition. If the mixture is ignited too late, loss of power can be experienced due to retarded spark.

### The Standard Point System

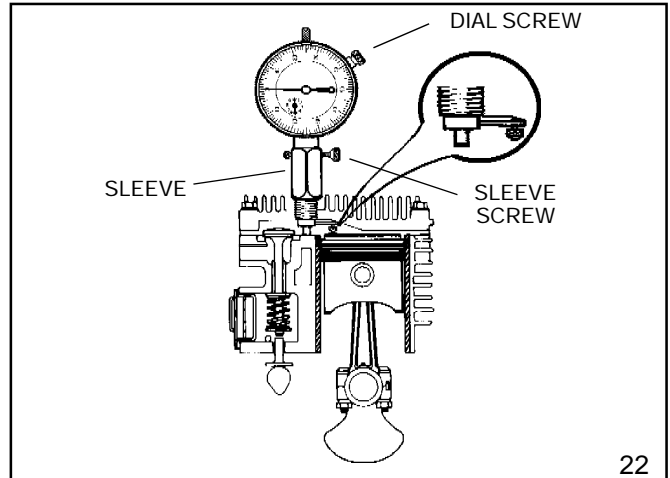
Internal coils are used on small and medium frame 4 cycle engines. First check the specification charts in the back of this manual or the quick reference chart for the correct ignition dimensions, (point gap setting and timing specification) depending on the model of engine.



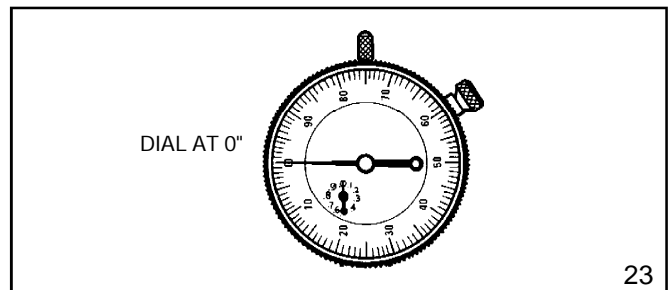
Begin the procedure by replacing the points if necessary. To do this remove the nut that secure the movable portion of the breaker points. Remove the screw from the stationary portion of the breaker points and the worn breaker point assembly. Install a new breaker point assembly and adjust the point gap. This is done by rotating the crankshaft until the point arm is resting on the high side of the ignition cam. Set the point gap by loosening the screw on the movable point set and insert a feeler gauge per specification. Adjust the point gap so that a light drag is felt on the feeler gauge. Tighten the screw and recheck the gap. Leave the leads unattached for the timing procedure. Use this procedure on all standard point ignition systems when point replacement is necessary (diag. 21).



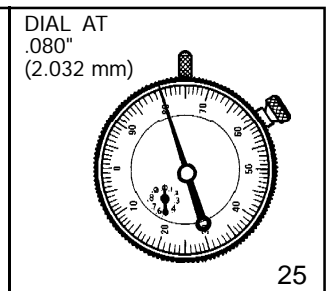
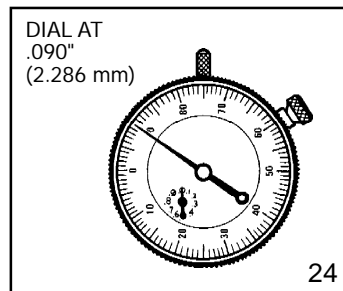
Install a dial indicator (Part # 670241), equipped with the correct tip on the extender leg. Use the small tip for engines with timing dimensions of between top dead center (T.D.C.) and .050" (1.27 mm) before top dead center (B.T.D.C.). Use the large tip for engines with timing dimensions of between .051" (1.295 mm) B.T.D.C. to .150" (3.81 mm) B.T.D.C. Make sure to secure the extender leg in position to locate the tip directly over the piston head. Loosen the screw on the side of the adaptor sleeve to allow the sleeve to be turned into the threads of the spark plug hole, not the entire dial indicator. This will ensure the proper location of the tip. Once the adapter sleeve is secured in the hole, tighten screw on sleeve adaptor to prevent the dial from moving up or down, which would give a false reading (diag. 22).



Find T.D.C. with both valves closed by rotating the crankshaft clockwise when looking at the magneto end of the crank, until the needle on the dial stops and reverses direction. Where the needle stops is T.D.C. Loosen the screw on the dial, and rotate the dial so that zero is lined up with the needle at T.D.C. Tighten the screw on the dial to secure it in place (diag. 23).

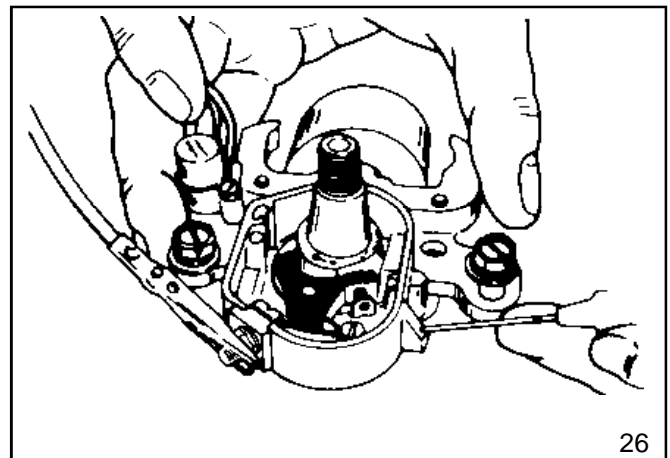


While watching the needle on the dial indicator, rotate the crankshaft counterclockwise when looking at the magneto end of the crank, .010" (.254 mm) past the B.T.D.C. dimension. Then rotate the crankshaft clockwise to the proper B.T.D.C. dimension, this will take out any slack between the connecting rod and crankshaft assembly.



Example: If the specification of .080" (2.032 mm) is the B.T.D.C. dimension, rotate the crankshaft counterclockwise so that the needle on the dial indicator travels to .090" (2.286 mm) B.T.D.C. (diag. 24), then rotate the crankshaft clockwise so that the needle travels to the specified dimension of .080" (2.032 mm) B.T.D.C. (diag. 25).

Next, if the original breaker points are being used, disconnect the leads from the point terminal. Reinstall the nut & tighten. Connect one lead of a continuity light, or ohmmeter to the point terminal and the other lead to a good ground. Loosen the two bolts holding down the stator and rotate the stator until the continuity light or ohmmeter indicates a break in the circuit. Torque down the stator bolts while maintaining the stator plate position and the timing procedure is completed. Reconnect the leads on the point terminal and tighten the nut making sure that the leads do not touch the flywheel (diag. 26).



(continued on top of next page)

Before putting the dust cover back on the points box, clean the points by sliding lint free paper back and forth between the contacts. Manually, open the points when removing the paper to eliminate paper fibers from remaining between the contact points (diag. 27).

### Fixed Timed System (External coil)

This system has the contact points and condenser mounted under the flywheel with the laminations and coil mounted outside the flywheel. This system is identified by the square hole in the stator, the round configuration of the coil, and on older coils, the word "Grey Key" is stamped on the coil to identify the proper flywheel key to be used. When ordering an external coil for replacement from Tecumseh Products, a solid state module will be received as a replacement. The new module will be supplied with the proper flywheel key (diag. 28).

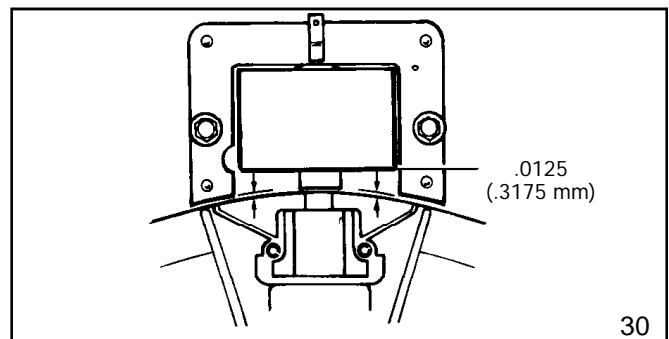
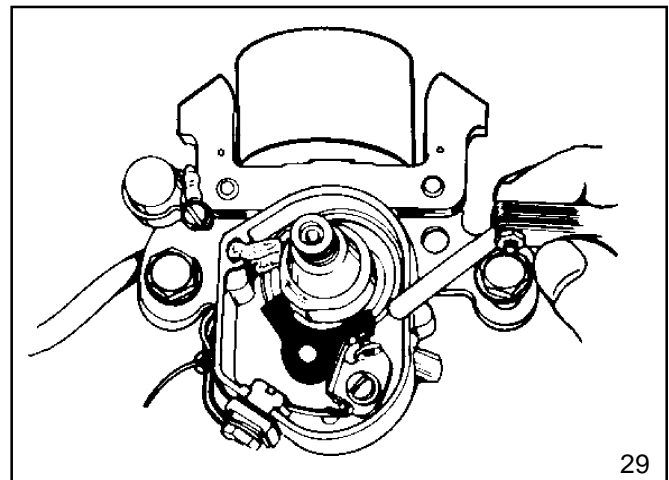
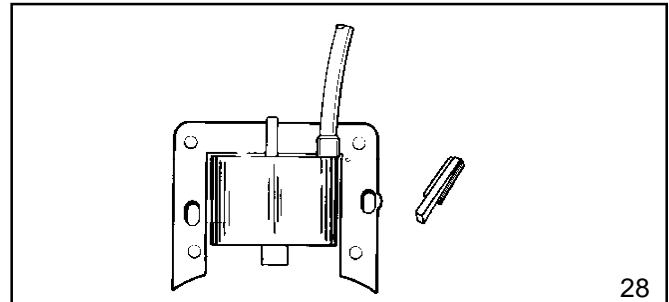
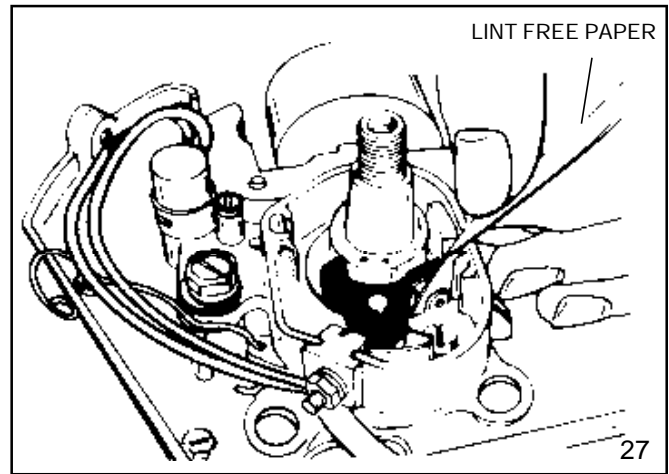
Torque down the stator bolts to secure the stator in place. Next, rotate the crankshaft until the point arm is resting on the high side of the ignition cam. Set the point gap at .020" (.508 mm), by loosening the screw on the movable point, and insert a .020" (.508 mm) feeler gauge between the contact points (diag. 29). Tighten the screw on the movable point and then recheck the point gap. Be sure to clean contact points with lint free paper (diag. 27).

**NOTE:** The flywheel key used on engines with an external coil and points looks similar to the solid state key, however, timing will be effected if the wrong key is used.

Reinstall the proper flywheel key, flywheel, washer and torque down the flywheel nut to specification. Reinstall the external coil and set the proper air gap to .0125" (.3175 mm) using air gap gauge, part # 670297 between the magnets and laminations and torque the mounting screws to specification. Remove the air gap gauge and rotate the flywheel to check for any possible striking points. If none are found, the air gap is set correctly and the timing procedure is completed (diag. 30).

### Solid State Ignition Timing

Timing is set using a .0125" (.3175 mm) air gap gauge (Part No. 670297). Loosen the two hold-down screws, insert the .0125" (.3175 mm) remove semi-color gauge between the laminations and the magnet on the flywheel. Slide the solid state ignition assembly against the air gap gauge and the flywheel magnet. Torque the two hold down screws to the correct specification and remove the air gap gauge. Rotate the flywheel one full revolution to check for any possible striking points. If none are found, the air gap is set correctly and the timing procedure is completed (diag. 30).



## Other Solid State Systems

The following systems are located under the flywheel. All components are encapsulated into one module. No timing is necessary with this type (diag. 31, 32, 33).

Check the system by checking for a spark or use a commercially available test equipment.

### SERVICE TIPS

#### DO NOT:

Interchange flywheels, flywheel keys, spark plugs, condensers, or points. (Some systems do not use standard points and condensers.)

Use flywheels with cooling fins that are broken off.

Reglue ceramic magnets back onto the inside of the flywheel.

Re-oil the cam wiper in a magneto system.

Use a standard business card as an air gap gauge.

File the contact points.

Attempt to reglue the spark plug lead back into a coil or a solid state module.

Store a solid state module within 20 feet (6.1 meters) of an unshielded welder.

#### PLEASE DO:

Follow directions carefully.

Lookup the correct ignition dimensions in the proper mechanic's manual or quick reference chart, for the engine being repaired.

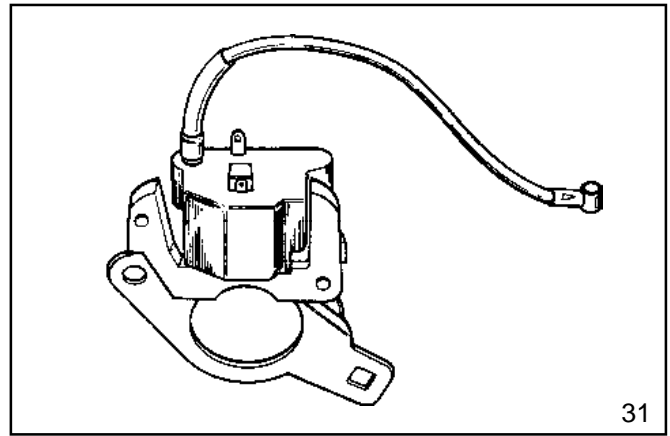
Clean points with lint free paper after setting gap.

Reinstall the point terminal nut and tighten after removing leads, before timing procedure.

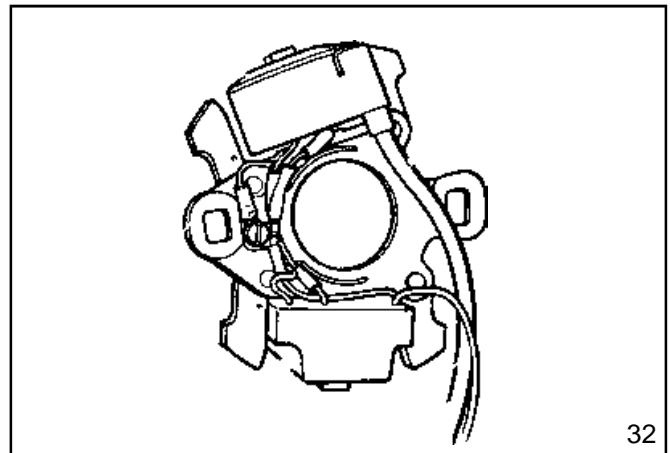
Remember to correctly TIME a Tecumseh engine, even when just changing points on a magneto system.

Remember to use correct air gap gauge.

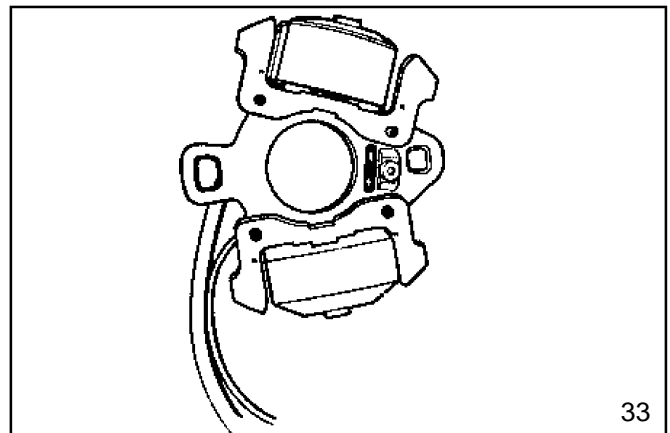
Check for correct flywheel key which effects timing.



31



32



33

# CHAPTER 9 INTERNAL ENGINE AND CYLINDER

## GENERAL INFORMATION

This chapter covers the cylinder block, piston and rod assemblies, cylinder head, crankshaft, camshaft, valve train, breather, cylinder cover, flywheel, counterbalance systems, and lubrication systems. The governors and the governor systems are covered in Chapter 4.

All Tecumseh engines covered in this manual are four cycle engines with the valves in the engine block. The crankshaft position is designated as either horizontal or vertical as the engine rests on its base. The engines identified by decals or model as XL (Extra Life) or XL/C (Extra Life / Commercial ) are made using aluminum alloy diecast around a cast iron cylinder liner. However, not all engines with cast iron cylinder liners are identified as XL or XL/C. Engine blocks of the heavy frame series (HH, VH) are made of cast iron. All other engines use aluminum alloy for the cylinder block along with pistons that are chromium plated.

## OPERATION

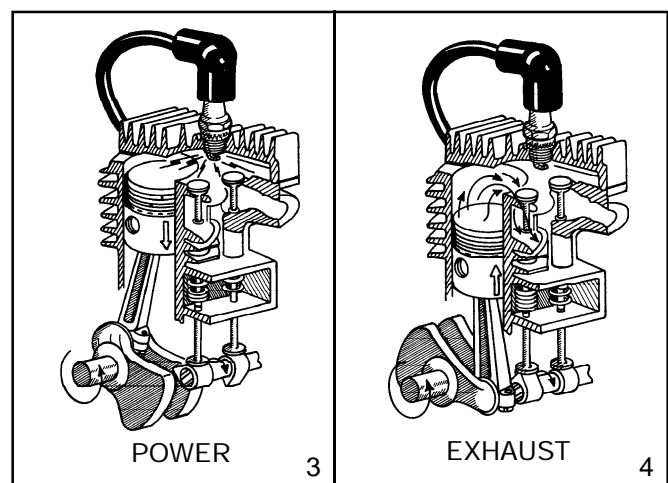
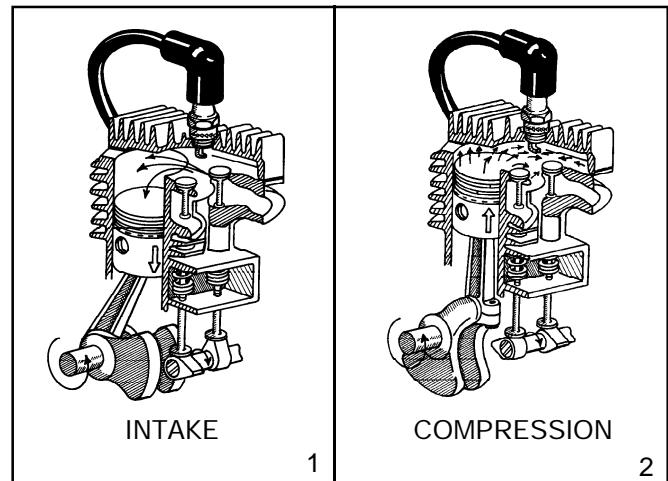
### 4-CYCLE ENGINE THEORY

All 4-cycle engines require four piston strokes to complete one power cycle. The flywheel on one end of the crankshaft provides the inertia to keep the engine running smoothly between power strokes.

The camshaft gear is twice as large as the mating gear on the crankshaft so as to allow proper engine valve timing for each cycle. The crankshaft makes two revolutions for every camshaft revolution.

1. **INTAKE.** The intake valve is open and the exhaust valve is closed. The piston is traveling downward creating a low pressure area, drawing the air-fuel mixture from the carburetor into the cylinder area above the piston (diag. 1).
2. **COMPRESSION.** As the piston reaches Bottom Dead Center (BDC) the intake valve closes. The piston then rises, compressing the air-fuel mixture trapped in the combustion chamber (diag. 2).
3. **POWER.** During this piston stroke both valves remain closed. As the piston reaches the Before Top Dead Center (BTDC) ignition point, the spark plug fires, igniting the air-fuel mixture. In the time it takes to ignite all the available fuel, the piston has moved to Top Dead Center (TDC) ready to take the full combustive force of the fuel for maximum power during downward piston travel. The expanding gases force the piston down (diag. 3).
4. **EXHAUST.** The exhaust valve opens. As the piston starts to the top of the cylinder, the exhaust gases are forced out (diag. 4).

After the piston reaches Top Dead Center (TDC), the four stroke process will begin again as the piston moves downward and the intake valve opens.



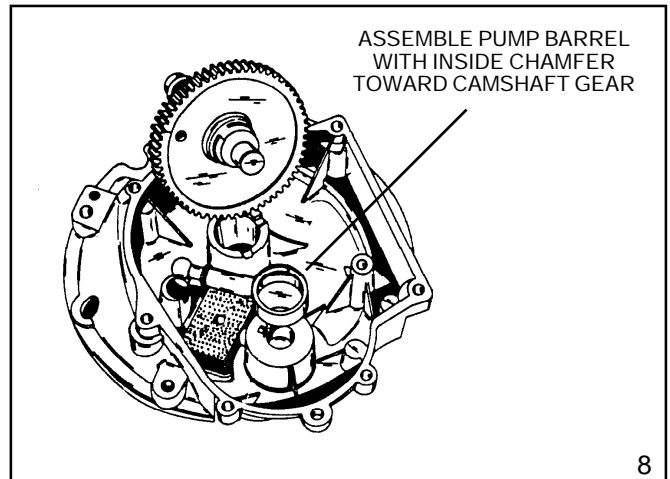
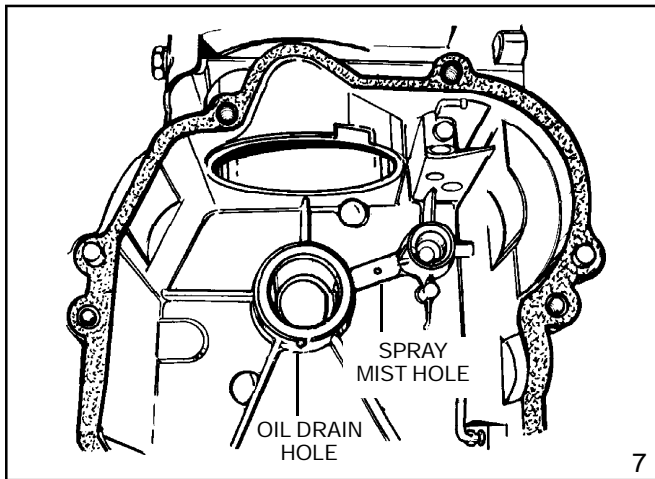
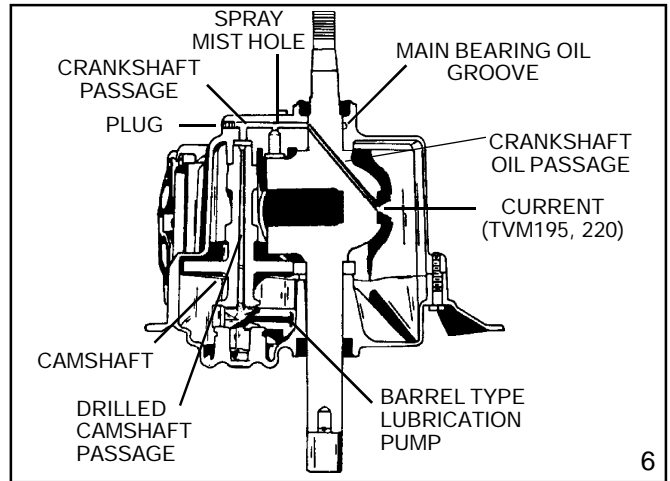
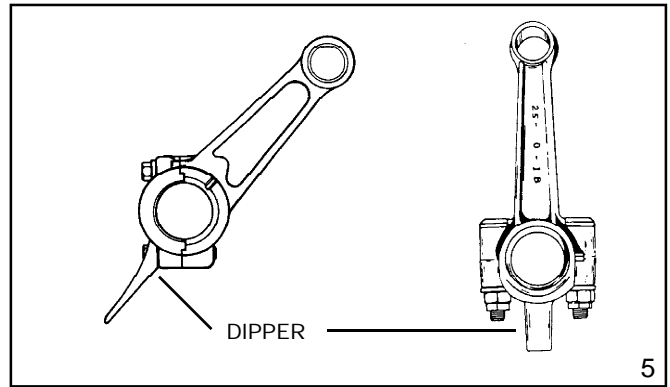
## LUBRICATION SYSTEMS

The lubrication system used with all Tecumseh horizontal crankshaft engines covered in this manual utilize a splash type system. An oil dipper on the connecting rod splashes oil in the crankcase to lubricate all internal moving parts. Some engines have the dipper as an integral part of the connecting rod assembly, while others have a dipper that is bolted on with one of the rod bolts (diag. 5).

All vertical shaft engines use a positive displacement plunger oil pump or rotary type oil pump. Oil is pumped from the bottom of the crankcase, up through the camshaft and over to the top main bearing. Oil under pressure lubricates the top crankshaft main bearing and camshaft upper bearing (diag. 6).

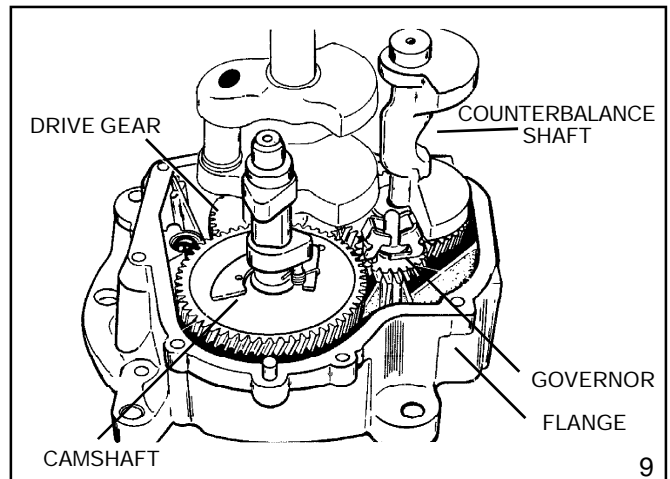
On all Tecumseh vertical shaft 4-cycle engines, the oil is sprayed out under pressure through a small hole between the top camshaft and crankshaft bearing to lubricate the piston, connecting rod, and other internal parts (diag. 7).

The plunger style oil pump is located on an eccentric on the camshaft. As the camshaft rotates, the eccentric moves the barrel back and forth on the plunger forcing oil through the hole in the center of the camshaft. The ball on the end of the plunger is anchored in a recess in the cylinder cover (diag. 8).



## COUNTERBALANCE SYSTEMS

Some Tecumseh engines may be equipped with an Ultra-Balance® counterbalance system. This system uses a single weighted shaft that is driven off the crankshaft. The shaft's function is to counteract the imbalance caused by the counterweights on the crankshaft and the combustion forces (diag. 9).



## COMPONENTS

The **cylinder block** houses the piston, valves and along with the cylinder cover all the internal components. The block is a one piece diecast aluminum alloy or cast iron cylinder casting (diag. 10).

The **piston** transmits the force of the burning and expanding gases through the connecting rod to the crankshaft.

The **piston rings** provide the seal between the cylinder wall and the piston. The rings keep the combustion pressures from entering the crankcase and also wipe the oil off the cylinder wall and return it to the sump.

The **connecting rod** assembly is the link between the piston (piston pin) and the crankshaft.

The **cylinder head** is a one piece aluminum alloy or cast iron casting that is bolted to the top of the cylinder block. The many fins provide cooling for the engine.

The **crankshaft** converts the up and down piston movement to the rotational force (torque) by an offset crankpin or rod journal.

The **camshaft** lobes raise and lower the lifters at the proper time to allow air and fuel in and exhaust out of the cylinder. Teeth on the camshaft gear time the camshaft to the crankshaft.

The **valves** allow air-fuel mixture to enter the cylinder and exhaust gases to exit. The valves provide a positive seal when closed.

The **valve springs** return the valves to the closed position and must be strong enough to maintain valve lifter and cam lobe contact. The valve retainers lock the spring to the valve stem.

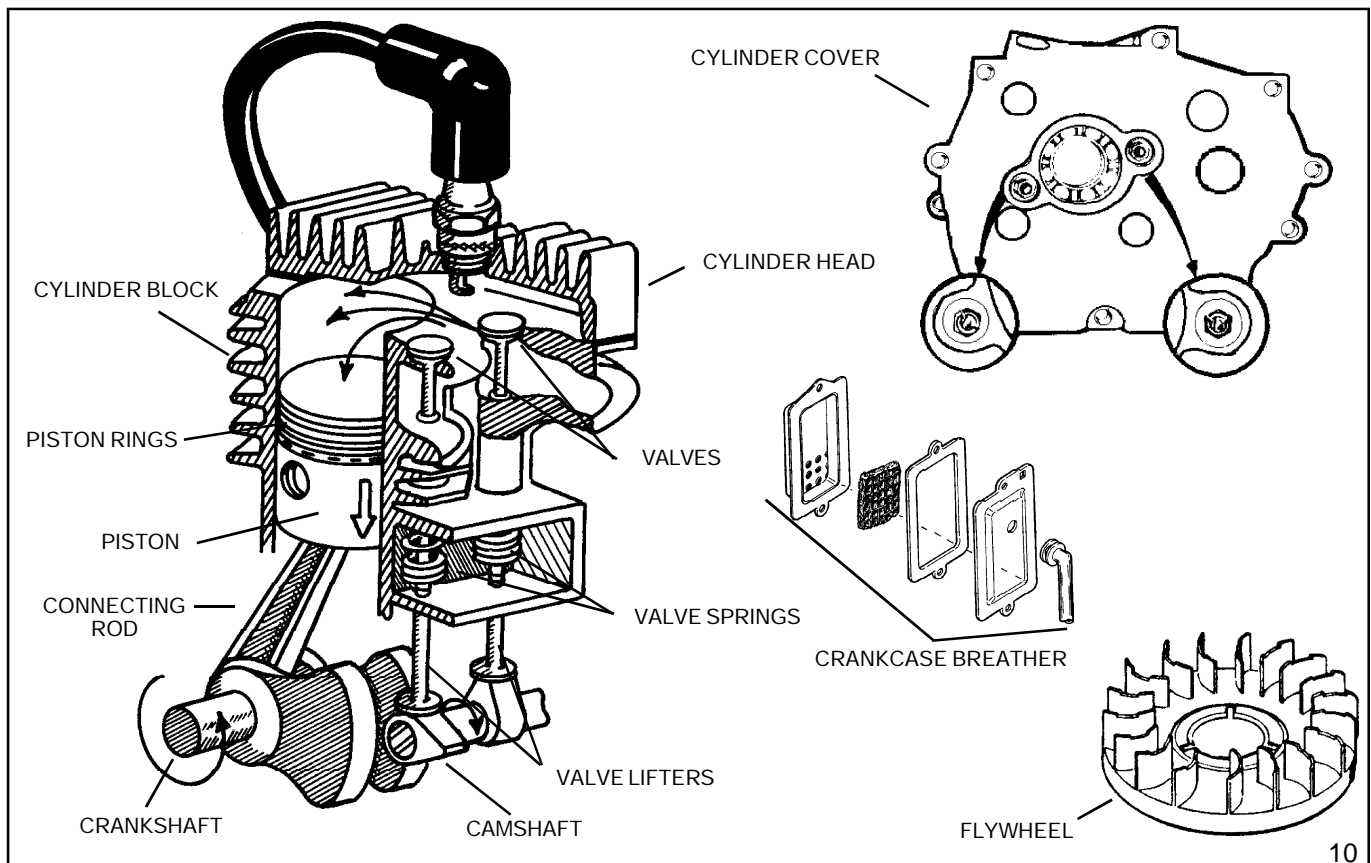
The **valve lifters** maintain contact on the camshaft and push the valves open.

The **crankcase breather** is a one way check valve that allows air out and prevents air from coming in. It allows the engine to develop a partial vacuum in the crankcase during operation.

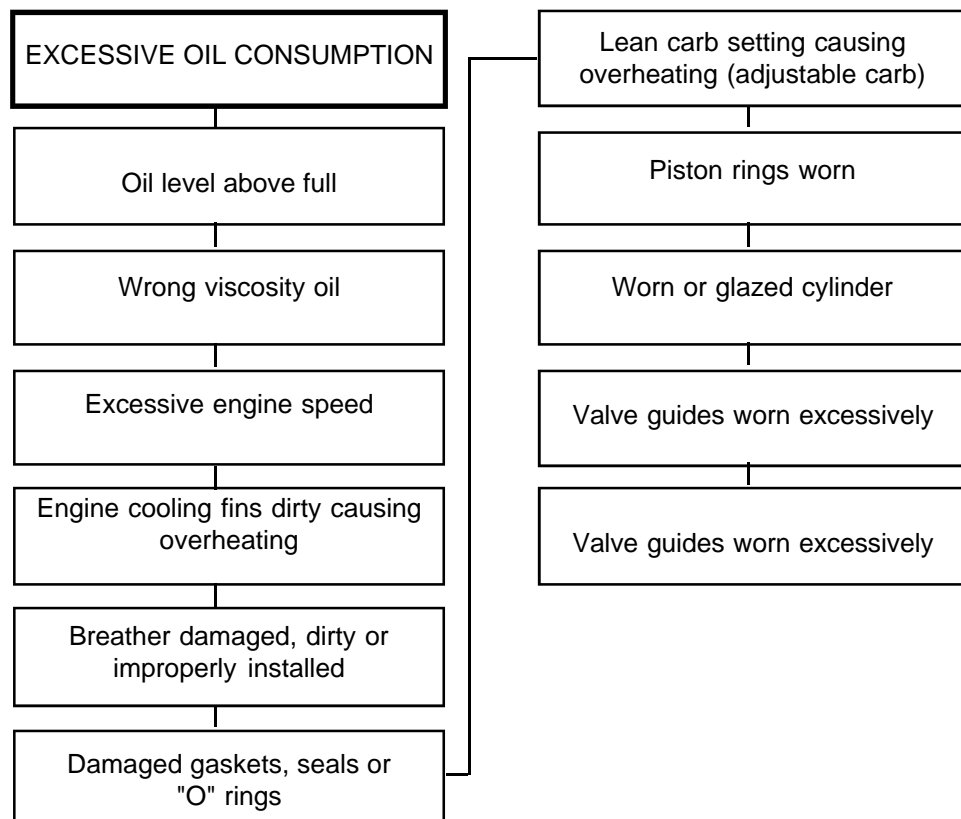
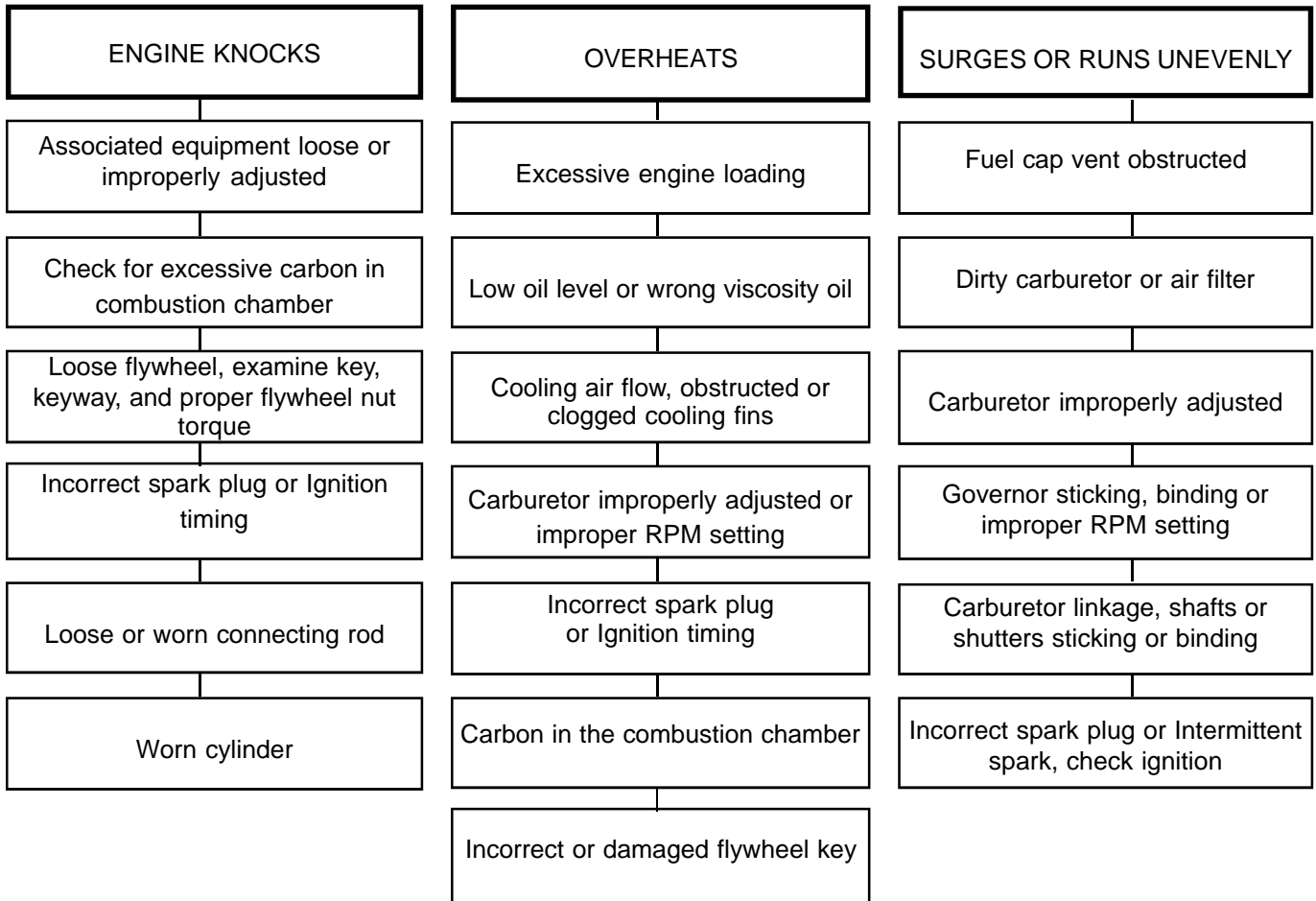
The **cylinder cover** (or flange on verticals) provides the bearing surface for the power take off (P.T.O.) end of the crankshaft and camshaft. This bolted on cover is removed to provide access to all internal components.

The **oil pump** (vertical shaft only) consists of a steel plunger and a nylon housing that rides on the camshaft eccentric.

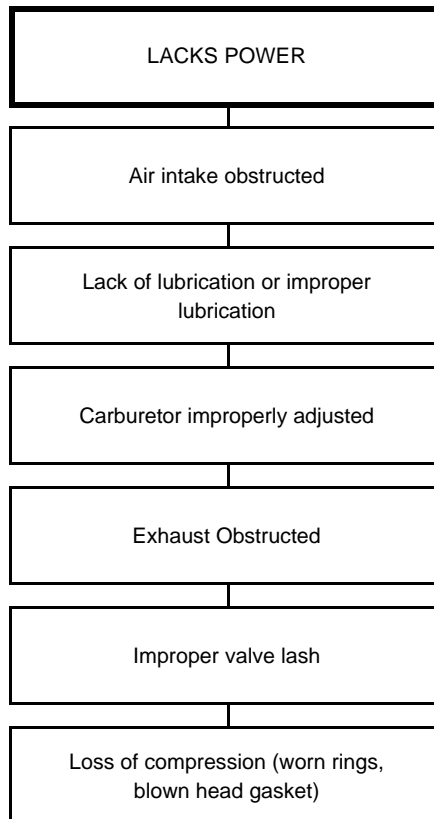
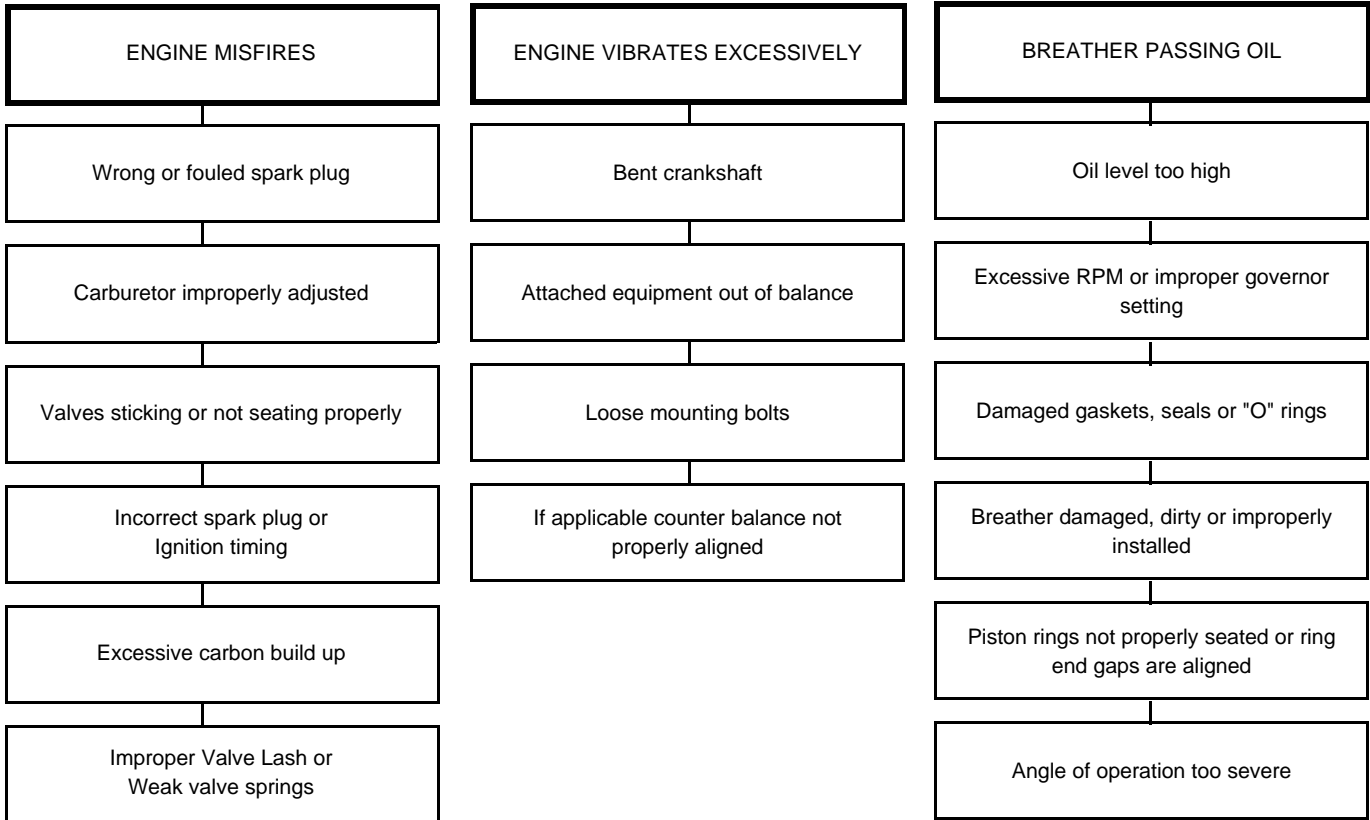
The **flywheel** provides the mass to smooth the effects of one power stroke every other crankshaft revolution. Flywheels are made of aluminum alloy or cast iron. The flywheel fins act as a fan to cool the engine.



## ENGINE OPERATION PROBLEMS



## ENGINE OPERATION PROBLEMS





## TESTING

### ENGINE KNOCKS

1. Check the blade hub, blade adapter, or crankshaft coupler for loose fit, loose bolts, or crankshaft key damage. Remove, inspect, replace if necessary. Reinstall and re-torque the bolts to the proper torque.
2. Check the flywheel key and the flywheel and crankshaft keyway for wear or partial shearing. Replace if any damage is evident. Tighten the flywheel nut to the proper torque.
3. Check for the correct ignition module air gap or the correct timing (point ignition). Replace the points and condenser if the points show any wear, oil, or pitting.
4. Remove the cylinder head and check for excessive carbon in the combustion chamber. Also check for the correct head gasket used, and check the spark plug for proper reach and heat range (correct spark plug for the engine).
5. Check for the proper valve lash using a feeler gauge, and check the internal components (piston, cylinder, connecting rod, crankshaft journal) for excessive clearance.

### ENGINE OVERHEATS

1. Make sure the engine is not being overloaded. Remove excess load (sharpen blades, limit operation speed, process less material).
2. Check the oil level and viscosity. Add or replace as necessary.
3. Check for clogged cooling fins or obstructions to the air flow. Remove the blower housing, clean and reinstall.
4. Check the carburetor for correct adjustment or remove and clean the carburetor using tag wire and compressed air. See Chapter 3 under "Service."
5. Check the engine R.P.M. setting using a vibratach or other tachometer and compare it to the R.P.M. settings found on microfiche card #30 according to the engine model and specification number. Adjust as necessary.
6. Make sure the correct spark plug is being used. Check the ignition timing. See Chapter 8 "Ignition - Service." Correct flywheel key or partially sheared key.
7. Remove the cylinder head to check for excessive carbon buildup. Clean as necessary.

### SURGES OR RUNS UNEVENLY

1. Check the fuel cap to make sure it is venting. Loosen the cap and retry engine operation.
2. Replace or clean the air filter.
3. Check the carburetor adjustment or clean the carburetor. See Chapter 3 under "Service."
4. Check the engine R.P.M. setting using a vibratach or other tachometer and compare it to the R.P.M. settings found on microfiche card #30 according to the engine model and specification number. Adjust as necessary.
5. Visually check all linkages. Check the governor shaft, throttle shaft, or pivot points for binding.
6. Check the ignition module operation using a gap type tester inserted in the high tension lead. Check for intermittent spark, incorrect spark plug, or a fouled condition.

### ENGINE MISFIRES

1. Check the spark plug for the proper application or a fouled condition. Replace if questionable.
2. Reset the carburetor following the adjustment procedure or clean the carburetor. See Chapter 3 under "Service."
3. Check the ignition timing. See Chapter 8 under "Service."
4. Check for carbon buildup in the combustion chamber.
5. Inspect the valves and valve seats for leakage. Check for scoring or discoloration on the valve stem in the valve guide area. Recut the valves and seats if questionable. See "Valve Service" in this chapter.

*(continued on top of next page)*

## **ENGINE VIBRATES EXCESSIVELY**

1. Check the engine crankshaft on the PTO end for bends using a straight edge, square or a dial indicator. Blades or adapters must be removed. Any deflection will cause a vibration problem.
2. Check the engine mounting bolts, make sure they are tight.
3. Remove and check the attached equipment for an out of balance condition.
4. If the engine is equipped with a counterbalance shaft, check the gear timing to determine if the counterbalance is out of time.

## **BREATHER PASSING OIL**

1. Check the oil level, make sure the engine is not overfilled. Also verify that the viscosity rating on the container of the oil being used is to specification.
2. Check the angle of operation. Avoid prolonged use at a severe angle.
3. Check the engine R.P.M. setting for excessive R.P.M. using a vibratach or other tachometer and compare it to the R.P.M. settings found on microfiche card # 30 according to the engine model and specification number. Adjust the high and low R.P.M. as necessary.
4. Check for leaking or damaged gaskets, seals, or "O"-rings. External leaks may not be evident; however, the leak may prevent the engine from achieving a partial crankcase vacuum.
5. Check the breather for damage, dirty condition, or improper installation. The oil return hole(s) must face down.
6. Check the engine compression using a compression tester. If the engine has weak compression, determine the cause of weak compression: worn rings, leaking head gasket, or leaking valves. Follow the compression tester's procedure.

## **EXCESSIVE OIL CONSUMPTION**

1. Check the oil level, oil viscosity on the container of the oil being used, and oil condition. Replace and fill to the proper level.
2. Check the angle of operation. Avoid prolonged use at a severe angle.
3. Check for leaking or damaged gaskets, seals, or "O"-rings. External leaks may not be evident, however, the leak may prevent the engine from achieving a partial crankcase vacuum.
4. Check the engine R.P.M. setting using a vibratach or other tachometer and compare it to the R.P.M. settings found on microfiche card #30 according to the engine model and specification number. Adjust as necessary.
5. Check the breather for damage, dirty condition, or improper installation. The oil return hole(s) must face down.
6. Clean the cooling fins to prevent overheating.
7. Check the carburetor setting causing a lean running condition, overheating the engine.
8. Check the engine compression using a compression tester. If the engine has weak compression, determine the cause of weak compression: worn rings, leaking head gasket, or leaking valves. Follow the compression tester's procedure.
9. Check the valve guide clearance for excessive wear.

## **LACKS POWER**

1. Check the air intake for an obstruction (dirty filter, oil saturated filter, other debris).
2. Check the oil level, oil viscosity on the container of the oil being used and oil condition. Replace and fill to the proper level.
3. Readjust the carburetor or remove the carburetor for cleaning. See Chapter 3 under "Service."
4. Check the exhaust for a restriction preventing proper exhaust flow.

5. Check the engine valve lash. Reset the valves at the proper lash.
6. Check the valves for proper seating and valve guide lash. Recondition the valves and seats. Replace the valves if necessary.
7. Check the ignition timing. Check the flywheel key for partial shearing.

## SERVICE

### DISASSEMBLY PROCEDURE

The following procedures apply to most engine models. Actual procedure may vary.

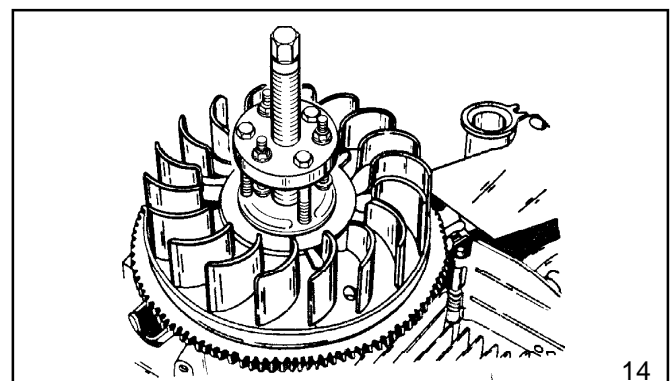
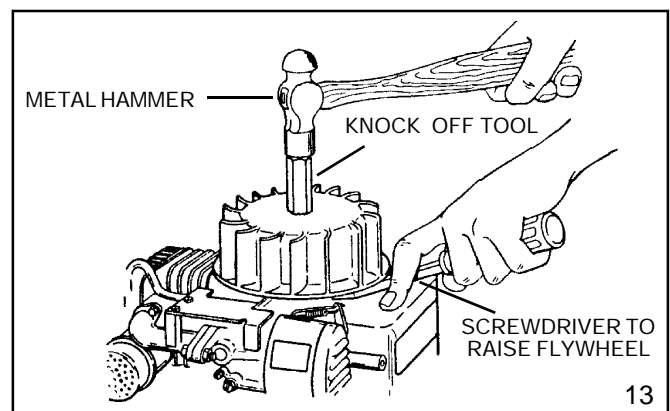
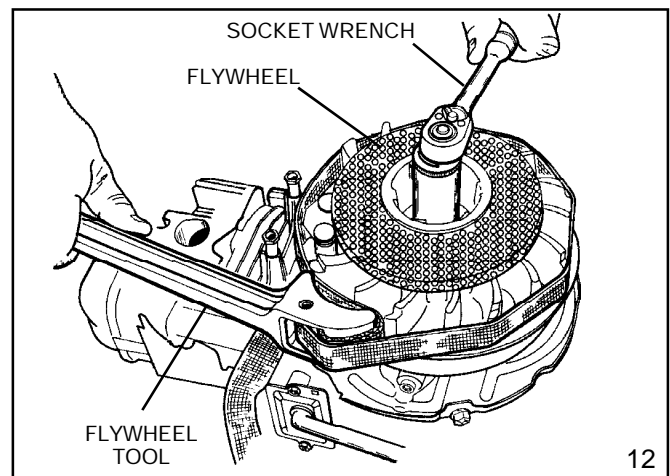
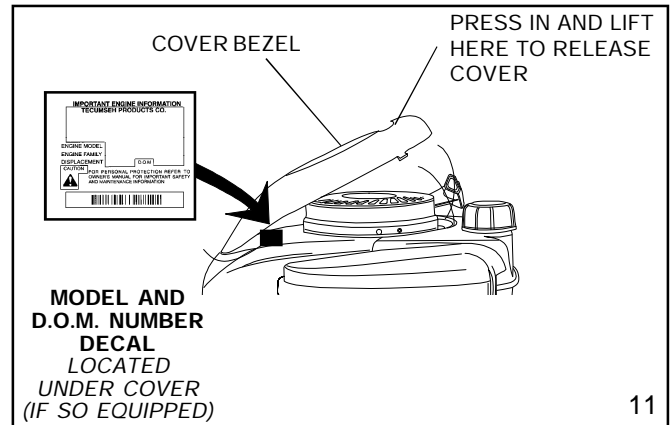
1. Disconnect the high tension lead from the spark plug. Remove the spark plug.
2. Drain the oil from the crankcase. Drain or shut off the fuel supply.
3. Remove the air cleaner assembly.
4. Remove the fuel tank if it is attached to the engine. Fuel tanks may be held on with bolts, screws, or some models require taps upward with a soft face hammer loosening the plastic tank wedged in the blower housing slots.

On some LEV engine models, removal of the bezel cover is necessary to view the engine identification or to provide access to the recoil assembly screws. Push in toward the spark plug end (as shown), lift up to clear the recoil, then pull the cover away from the spark plug to remove. (diag. 11)

5. Remove the blower housing by first unscrewing the screw holding the dipstick tube to the blower housing or unscrewing the dipstick tube and removing the remaining bolts on the blower housing.
6. Unplug the ignition kill wire from the terminal on top of the ignition module and unbolt the ignition module.
7. Remove the flywheel nut, washer, and starter cup. Use a strap wrench (part # 670305) to hold the flywheel from turning (diag. 12). Thread the appropriate flywheel knock-off tool part # 670103, (7/16") or part # 670169 (1/2") on the crankshaft until it bottoms out, then back-off one complete turn. Using a large screwdriver, lift upward under the flywheel and tap sharply and squarely on the knock-off tool to break the flywheel loose. If necessary, rotate the flywheel a half turn and repeat until it loosens (diag. 13). A flywheel puller (part # 670306) may be used on engines with cored holes and also on flywheels with holes drilled and tapped (diag. 14).

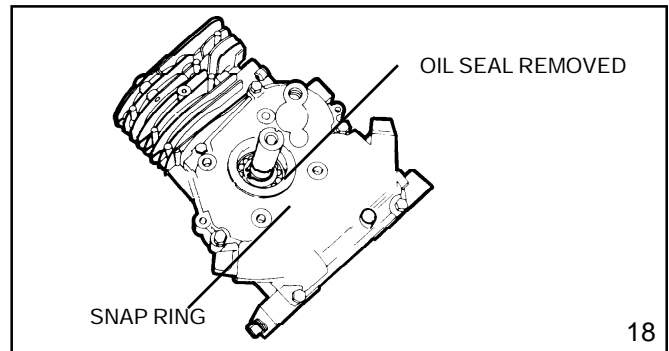
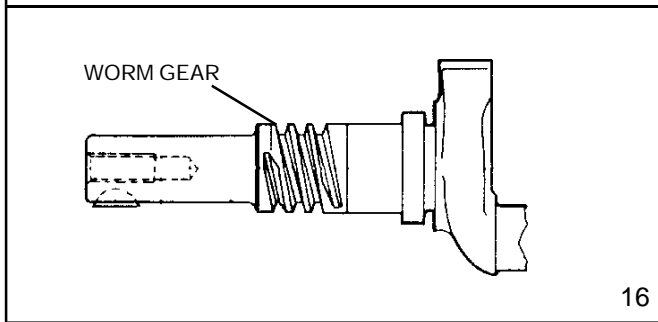
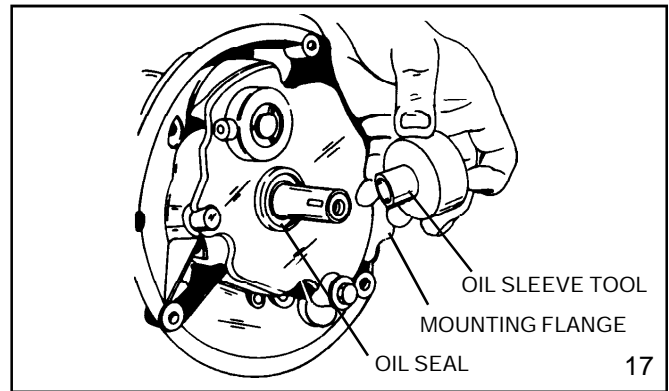
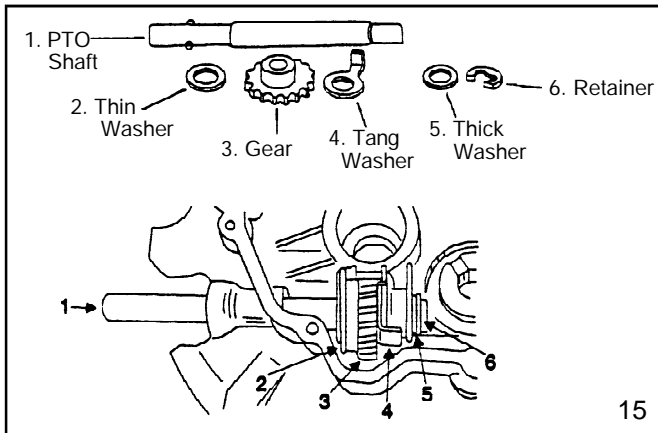
**NOTE: DO NOT USE A JAW TYPE PULLER.**

8. Remove the flywheel key, stator, and baffle plate.
9. Remove the muffler.
10. Remove the intake pipe and the carburetor. Be careful not to bend or damage the linkage when removing. Mark the hookup points or diagram the linkage arrangement to aid in reassembly.
11. Remove the cylinder head.
12. Remove the crankcase breather.

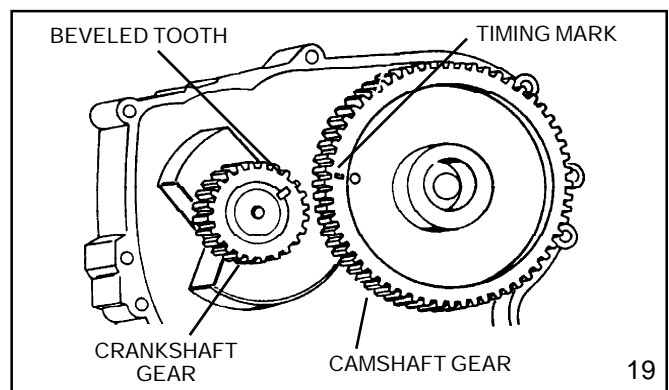


(continued on top of next page)

13. Remove the cylinder cover or mounting flange using a seal protector positioned in the seal to prevent seal damage. The crankshaft must be free of rust or scale to slide the cover off the crankshaft. H30-HS50 horizontal crankshaft engines with ball bearings on the crankshaft require the oil seal and the snap ring to be removed prior to the cylinder cover removal. On engines equipped with 8 1/2:1 gear reduction, turn the crankshaft to roll the reduction shaft gear off the crankshaft worm gear when removing the cylinder cover (diag. 15, 16, 17, 18).



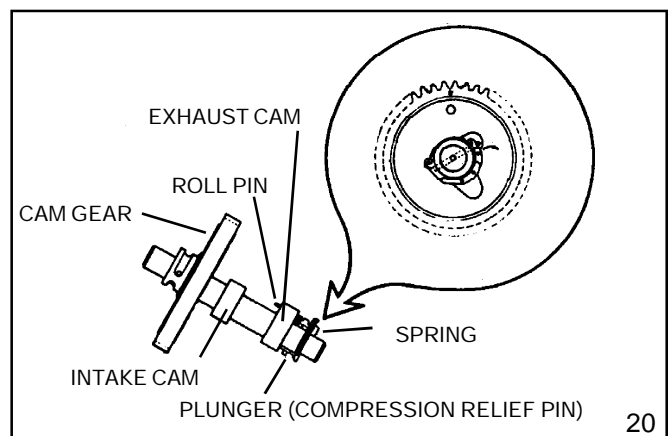
14. Remove the internal components. Align the timing marks on all engines except VM70, 80, 100, HHM80, HM70, 80, 100, TVM170, 195, 220 to relieve valve lifter pressure. On these engines it is necessary to rotate the camshaft clockwise three (3) teeth past the aligned position to allow the compression release mechanism to clear the exhaust valve lifter and to allow the camshaft to be removed (diag. 19 & 20).



15. Remove the lifters, rod cap, and balance shaft or gears if applicable.

16. Before removing the piston, remove any carbon from the top of the cylinder bore to prevent ring breakage. Push the piston out the top of the cylinder bore.

17. Remove the valves by using a valve spring compressor to compress the valve spring and rotate the valve spring retainer to allow the valve stem to pass through. Lift the valves out of the cylinder block. Remove the spring assemblies being careful to note the differences, the original placement of the springs and the presence of seals. Reinstall the spring assemblies on the same valve in the reverse order as they are removed.



## CYLINDERS

Visually check the cylinder for broken or cracked fins or a scored cylinder bore. Check the main bearings for wear or scoring. If the main bearings are worn or scored they can be replaced on some models. See "Crankshaft Bearing Service" in this chapter.

Use a dial bore gauge or telescoping gauge with a micrometer to accurately measure the cylinder bore. Measure in the piston travel area approximately 1/2 to 3/4 of an inch (12.7 to 19.05 mm) from the top and the bottom. Measure at 90 degrees to the piston pin, 45 degrees to the piston pin, and even with the piston pin as the piston would appear when assembled. A rigid hone is recommended to "true" any cylinder irregularities. If the cylinder bore is worn more than .005" (.127 mm) oversize, out of round or scored, it should be replaced or re-sized to .010 or .020 oversize (.254 mm or .508 mm). In some cases engines are built with oversize cylinders. If the cylinder is oversize, the oversize value will be imprinted in the top of the cylinder (diag. 23).

To re-size a cylinder, use a commercially available hone of the proper size. Chuck the hone in a drill press with a spindle speed of about 600 R.P.M.

Start with coarse stones and center the cylinder under the drill press spindle. Lower the hone so the lower end of the stones contacts the lowest point in the cylinder bore.

Rotate the adjusting nut so that the stones touch the cylinder wall and begin honing at the bottom of the cylinder. A light honing oil should be used to lubricate and cool while honing. Move the hone up and down at a rate of 50 strokes per minute to avoid putting ridges in the cylinder wall. Every fourth or fifth stroke, move the hone far enough to extend the stones one inch beyond the top and bottom of the cylinder bore.

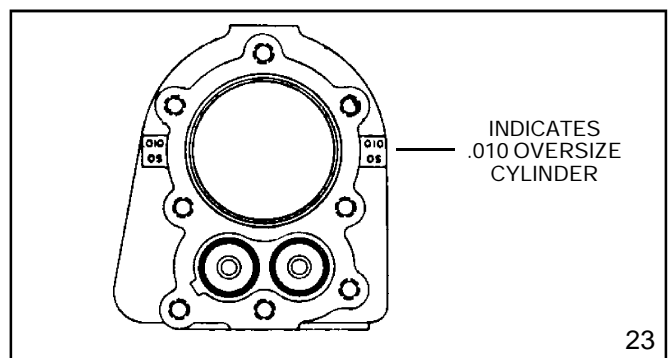
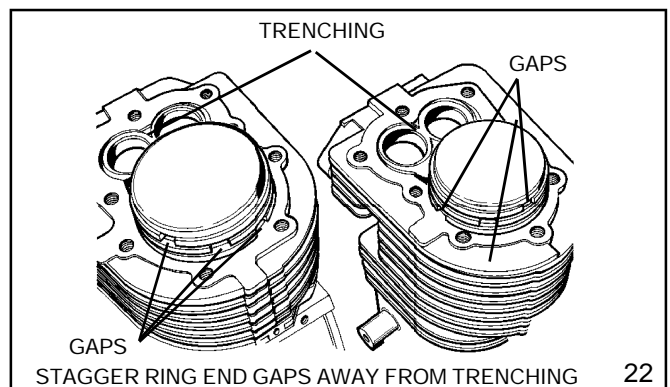
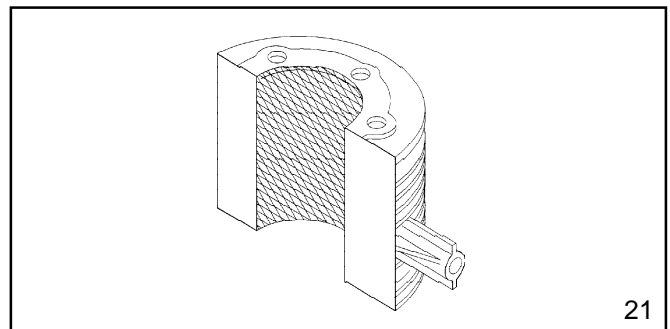
Check the bore diameter every twenty or thirty strokes for size and a 35° - 45° crosshatch pattern. If the stones collect metal, clean the stones with a wire brush when the hone is removed. (diag. 21).

Hone with the coarse stones until the cylinder bore is within .002 inch (.051 mm) of the desired finish size. Replace the coarse stones with finishing stones and continue honing the cylinder to the final size. Tecumseh recommends using a 390 grit hone for finishing.

Clean the cylinder and crankcase with soap and water and dry thoroughly.

Replace the piston and the piston rings with the correct oversize parts as indicated in the parts manual.

Trenching has been incorporated in the cylinders of the H50, H60, HHM80, and HM100 series of engines, as well as the TVM125, 140, and 220 models. Trenching improves air/fuel flow and results in increased horsepower in these engines. When reinstalling the piston, rings, and rod assembly in these engines, stagger the ring end gaps and place the ring end gaps out of the trenched area. This will prevent the rings from possibly catching the trenched area and breaking during assembly (diag. 22).



## CYLINDER HEADS

Check the cylinder head for warpage by placing the head on a precision flat surface. If warped in excess of .005" (.13 mm) replace the head. Slight warpage can be corrected by placing a sheet of #400 wet /dry sandpaper on a precision flat surface and rubbing the head gasket surface in a circular pattern until the entire gasket surface shows evidence of sanding. A small amount of honing oil on the sandpaper will make it easier to slide the head. Always replace the head gasket and torque the head bolts in 50 inch pound increments in the numbered sequence to 200 inch pounds (22.5 Nm) (diag. 24 & 25).

Engine models V50, H50, H60, H70, VH50, VH60, VH70 require a flat and a belleville washer on bolts numbered 1, 3, and 7. Current production HM80 and HM100 use flat washers only on bolts numbered 2 and 3 in conjunction with the gas tank mounting bolts. All other head bolts on HM80 and HM100 use a flat and a belleville washer on each bolt.

Engine models V60, V70, TVM125, 140, 195, 220 require a flat washer and a belleville washer on all head bolts.

## PISTONS, RINGS, AND CONNECTING RODS

### Piston

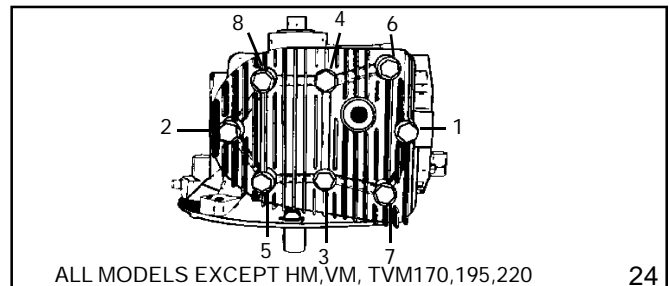
The piston should be checked for wear by measuring at the bottom of the skirt 90 degrees from the piston pin hole with a micrometer. Check the ring side clearance using a feeler gauge with new ring. Clean all carbon from the piston top and the ring grooves before measuring. Visually inspect the piston skirt area for scoring or scratches from dirt ingestion. If scoring or deep scratches are evident, replace the piston.

If the cylinder bore needs re-sizing, an oversize piston will be necessary. Oversize pistons are identified by the imprinted decimal oversize value imprinted on the top of the piston (diag. 26).

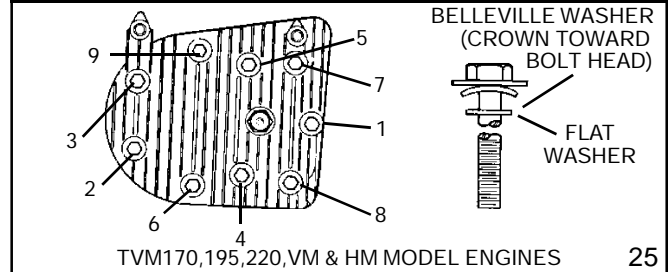
### Rings

After the cylinder bore diameter has been checked and is acceptable to rebuild, the ring end gap should be checked using new rings. Place a new compression ring squarely in the center of the ring travel area. Use the piston upside down to push the ring down (diag. 28) and measure the gap with a feeler gauge. The ring end gap must be within the specification to have adequate oil control (diag. 29). This procedure will assure correct piston ring end gap measurement. Ring side clearance should also be checked with a feeler gauge when using new rings with an old piston (diag. 27).

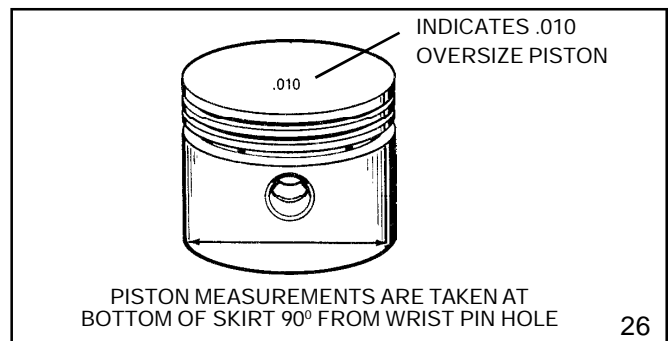
Replace the rings in sets and install the piston, rings, and rod assembly in the cylinder bore with the ring end gaps staggered. When installing new rings in a used cylinder, the cylinder wall should be de-glazed using a commercially available de-glazing tool or hone.



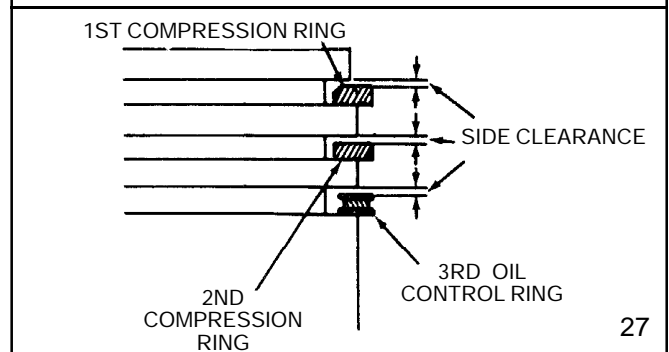
ALL MODELS EXCEPT HM, VM, TVM170, 195, 220 24



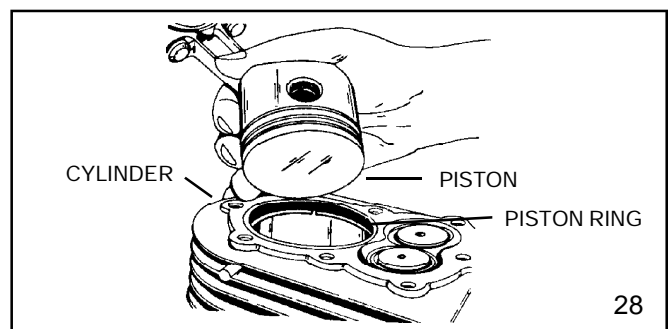
TVM170, 195, 220, VM & HM MODEL ENGINES 25



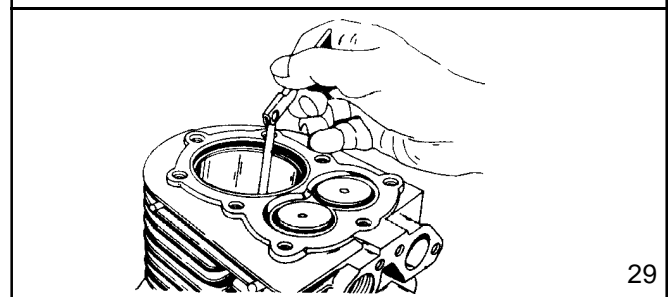
PISTON MEASUREMENTS ARE TAKEN AT BOTTOM OF SKIRT 90° FROM WRIST PIN HOLE 26



27



28



29

Use a ring expander to remove and replace the rings. Do not spread the rings too wide or breakage will result.

If the top compression ring has an inside chamfer, this chamfer must face UP. The second compression ring will have either an inside chamfer or an outside notch. The rule to follow is an inside chamfer always faces up. An outside notch (diag. 31) will face down or towards the skirt of the piston.

The oil control ring can be installed with either side up. The expander (if equipped) end gap and the ring end gap should be staggered.

## Emission Rings

Used on TVS, LEV, H35, VLV, HM80 and TVXL195 engines that comply with emission standards. These rings have a narrower width and a different profile (barrel faced). Barrel faced rings may be installed in either direction. The underside of the oil control ring utilizes a coil type expander.

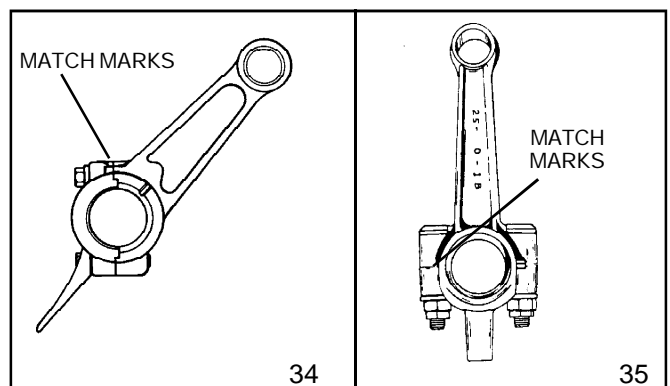
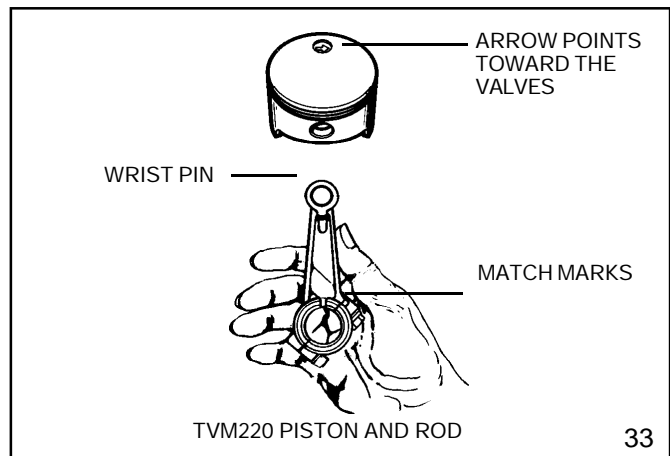
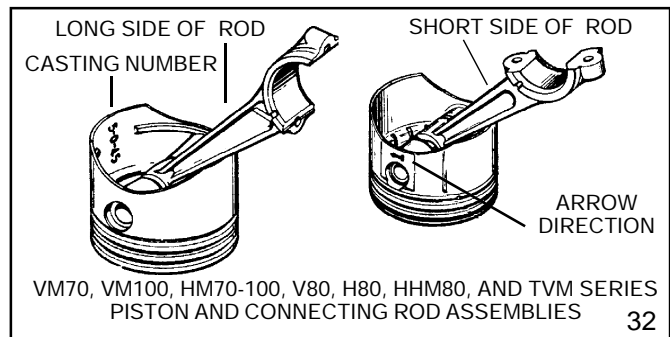
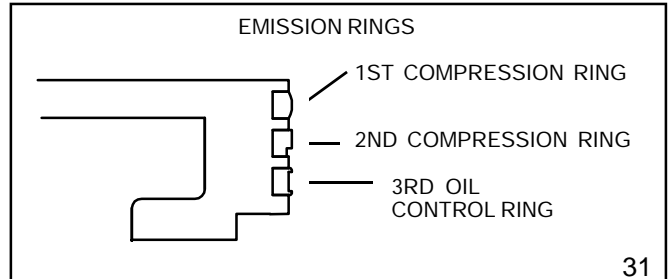
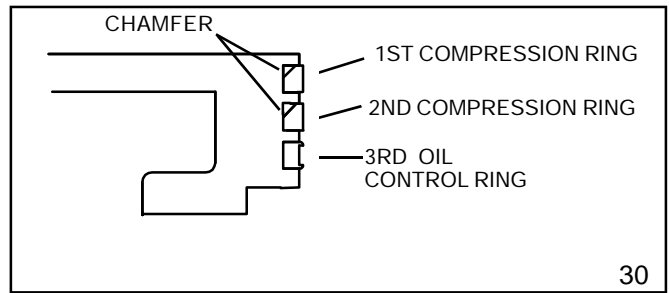
These rings conform better to the cylinder allowing for better oil control by wiping the cylinder wall cleaner. The coiled expander ring helps create a more uniform load on the cylinder wall which gives a more consistent distribution of oil. NOTE: The use of these rings on a standard non-emission piston will cause ring breakage due to its wider ring grooves.

## Connecting Rods

Some engine models have offset piston pins (not centered) to centralize the combustion force on the piston. Engine models LAV50, HM70, HM80, HHM80, HM100, TVM170,195, 220, have offset pistons. When installing the connecting rod to the piston it is imperative that the rod be installed correctly. The piston used on these models will have either an arrow stamped above the piston skirt or a number cast on the inside of the piston skirt or an arrow stamped on the top of the piston (diag. 32 & 33). All other engine models use a centered piston pin. If the piston does not have an arrow or number cast inside, the piston can be installed in either direction on the connecting rod. **On all engine models, the match marks on the connecting rod must align and face out when installing the assembly in the engine (diag. 34 & 35).**

The arrow on the top of the piston must point toward the valves when installing it in the cylinder (diag. 33). The inside casting number (if present) must face toward the long side of the connecting rod. If there is an arrow on the side of the piston, the arrow must point toward the short side of the connecting rod. (diag. 32).

On horizontal shaft engines, oil dippers are attached to the bottom connecting rod bolt. Some engines have the oil dipper cast in the rod cap. Consult the specification chart for the proper rod bolt torque when installing the cap. The rod bolts should be torqued in 50 inch pound (5.5 Nm) increments until the specified torque is achieved.



## CRANKSHAFTS AND CAMSHAFTS

Inspect the crankshaft visually and with a micrometer for wear, scratching, scoring, or out of round condition. Check for bends on the P.T.O. end using a straight edge, square or a dial indicator.

 **CAUTION: NEVER TRY TO STRAIGHTEN A BENT CRANKSHAFT.**

The timing marks on the camshaft and the crankshaft gears must be aligned for proper valve timing. (diag. 36 & 37).

### Camshafts

Check the camshaft bearing surfaces for wear using a micrometer. Inspect the cam lobes for scoring or excessive wear. If a damaged camshaft is replaced, the mating crankshaft and governor gear should also be replaced. If the crankshaft gear is pressed on it is not serviceable and the crankshaft must also be replaced.

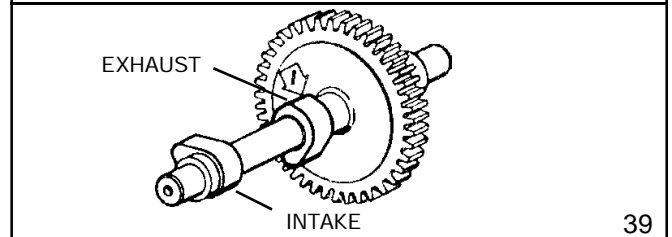
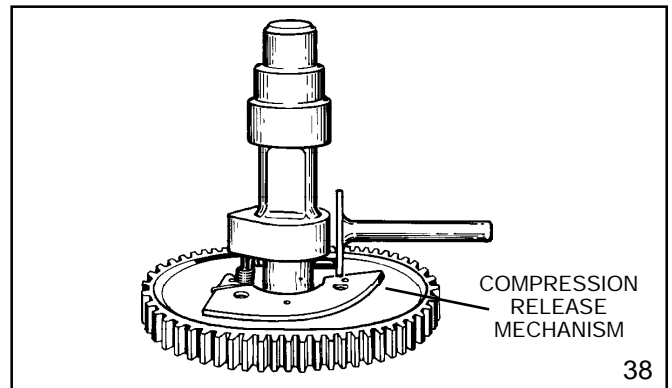
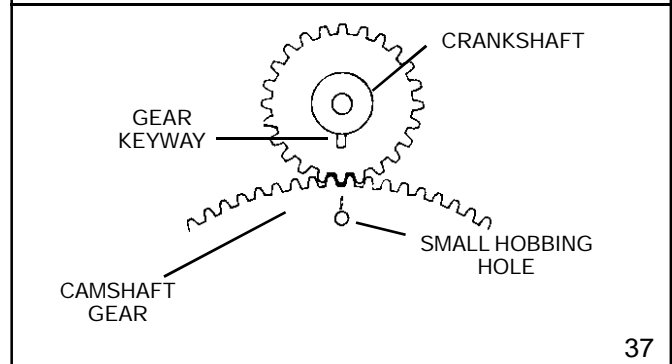
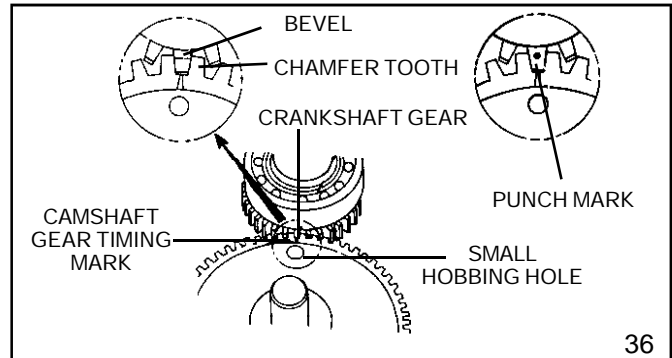
Clean the camshaft with solvent and blow all parts and passages dry with compressed air, making sure that the pins and counterweights are operating freely and smoothly on mechanical compression relief types.

Camshafts used in rotary mower engines utilize a composite gear (glass filled nylon) for the purpose of reducing internal gear noise.

Mechanical Compression Release (MCR) camshafts have a pin located in the camshaft, that extends over the exhaust cam lobe, to lift the valve and relieve the engine compression for easier cranking. When the engine starts, centrifugal force moves the weight outward and the pin will drop back down. The engine will now run at full compression (diag. 38).

Some engines are equipped with Bump Compression Release (BCR) camshafts that have a small bump ground on the exhaust lobe of the camshaft to relieve compression (diag. 39).

Newer camshafts are designated as Ramp Compression Release (RCR) and utilize a less aggressive ramp than what is used on the BCR camshaft.





## VALVES

The valves should be checked for proper clearance, sealing, and wear. Valve condition is critical for proper engine performance. Valve clearance should be checked before removal from the engine block if a valve problem is suspected or when the valves or seats are recut.

Valve clearance (between the valve stem and valve lifter) should be set or checked when the engine is cold. The piston should be at T.D.C. on the compression stroke (both valves closed).

Use a valve grinder or "V" block to hold the valve square when grinding the valve stem to obtain the proper clearance (diag. 40).

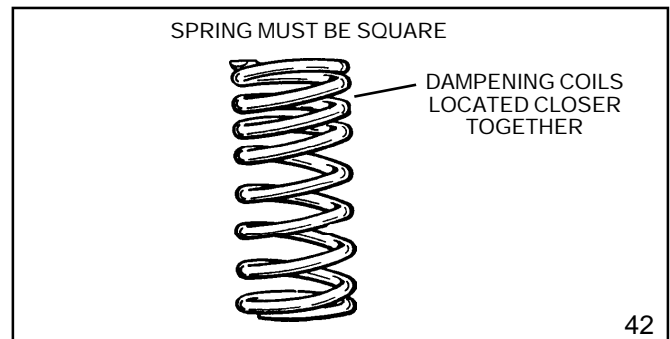
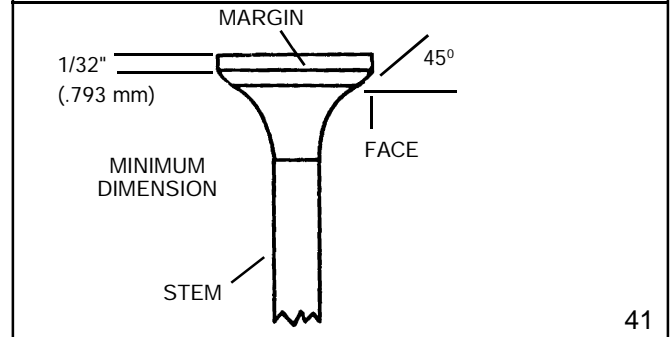
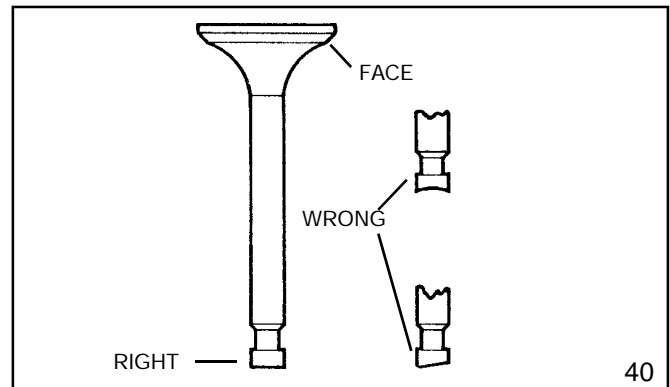
When servicing the valves, all carbon should be removed from the valve head and stem. If the valves are in a usable condition, the valve face should be ground using a valve grinder to a 45 degree angle. If after grinding the valve face the margin is less than 1/32 of an inch (.793 mm), the valve should be replaced (diag. 41).

Valves are not identical. Valves marked "EX" or "X" are installed in the exhaust valve location. Valves marked "I" are installed in the intake valve location. If the valves are unmarked, the nonmagnetic valve (head) is installed in the exhaust valve location.

To reinstall the valves, position the valve caps and springs in the valve compartment. If the spring has dampening coils, the valve spring should be installed with the dampening coils away from the valve cap and retainer (diag. 42).

Install the valves into the guides making sure the correct valve is in the proper port. The valve stem must pass through the upper valve cap and spring. Hook the valve spring retainer on the groove in the valve stem and release the spring tension to lock the cap in place. Early models may have a pin through the valve stem. Compress the spring and cap and use a needle nose pliers to insert the pin in the valve stem hole. Release the spring and check that the pin is locked under the cap.

**NOTE:** If the spring has dampening coils, they always go toward the stationary surface.



## Valve Seats

Valve seats are not replaceable. If they are burned, pitted, or distorted they can be reground using a grinding stone or a valve seat cutting tool. Valve seats are ground to an angle of 46 degrees. Check the specifications section for proper width.

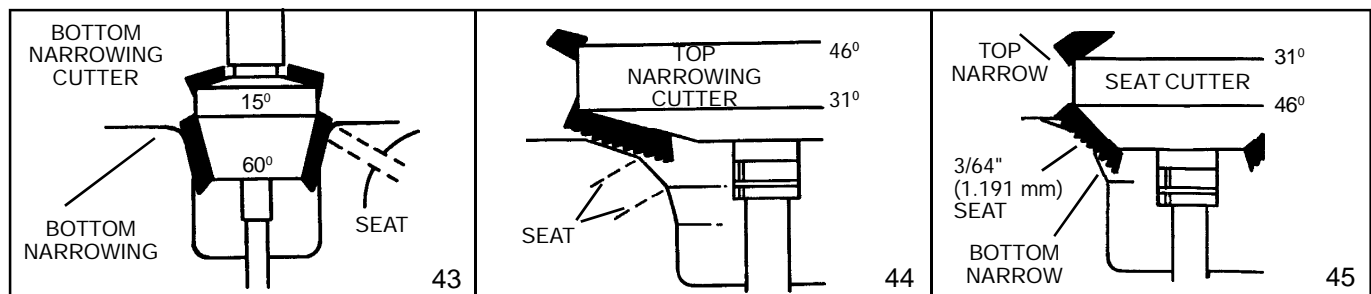
The recommended procedure to properly cut a valve seat is to use the Neway Valve Cutting System, which consists of three different cutters. LEV engines have a small combustion chamber and require the use of a special Neway cutter #103 for the 46 and 31 degree combination cutter. The 60 degree cutter is Neway cutter #101. The tapered pilots required are; Neway #100-1/4-1 for the .249 (6.325 mm) exhaust guide, and Neway #100-1/4 for the .250 (6.35 mm) intake guide. Consult the cutter's complete procedure guide for additional information.

**NOTE:** The valve seats are cast into the engine block at a slight angle on the LEV engines. When reconditioning valve seats on the LEV engine, the seat cutter will make simultaneous contact with the seat and the aluminum portion of the engine block. There is no detrimental effect to performance or life of the valve seat or block from the procedure.

First, use the 60 degree cutter to clean and narrow the seat from the bottom to the center (diag. 43).

Second, use the 31 degree cutter to clean and narrow the seat from the top toward the center (diag. 44).

Third or last, use the 46 degree cutter to cut the seat to a width of 3/64" (1.191 mm) (diag. 45).



## Valve Lifters

The valve lifters on some engines are different lengths. The shorter lifter is installed in the intake position and the longer lifter is installed in the exhaust position. When removing, mark the lifters to install the lifter in the same position as it was removed from.

## Oversize Valve Guides

The valve guides are permanently installed in the cylinder block. If they get worn excessively, they can be reamed oversize to accommodate a 1/32" (.793 mm) oversize valve stem.

The guides should be reamed oversize with a straight shanked hand reamer or low speed drill press. Refer to the "Table of Specifications" (Chapter 10) to determine the correct oversize dimension. Reamers are available through your local Tecumseh parts supplier. Consult the tool section in Chapter 11 for the correct part numbers.

The upper and lower valve spring caps must be redrilled to accommodate the oversize valve stems.

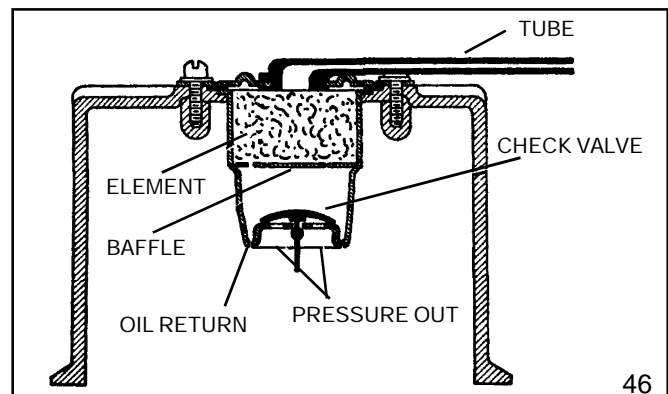
After oversizing the valve guides, the valve seats must be recut to align the valve seat to the valve guide.

## CRANKCASE BREATHERS

The breather element and case can be cleaned using cleaning solvent. Make sure the small drain hole or holes are clean and installed facing down, so as to allow oil to return back into the crankcase.

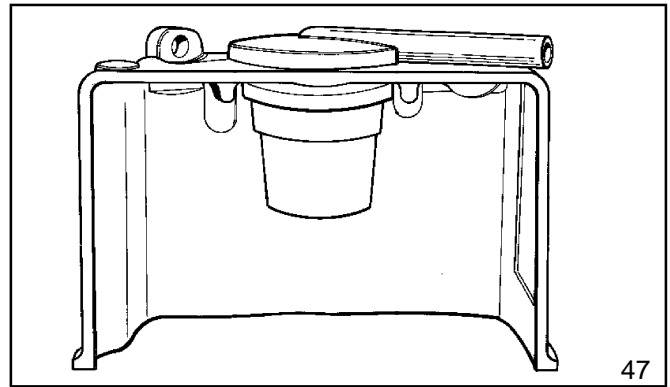
### Top Mounted Breather

This type of breather is mounted in the top and rear of the cylinder block in vertical shaft engines. The check valve allows positive pressure to be vented through the element and out the tube. Some engines have the breather tube connected to the air cleaner assembly (diag. 46).



Late production top mounted breathers use the rubber boot and breather tube as a push in design. Mark or note the location of the breather tube. Use a large flat blade screwdriver to pry the boot up and lift the breather assembly out. Be careful not to drop the breather body out of the rubber boot when removing (diag. 47).

A new breather tube boot is recommended for replacement to assure proper crankcase seal. Apply engine oil to the breather tube boot and push the breather in until the top shoulder of the boot contacts the crankcase.

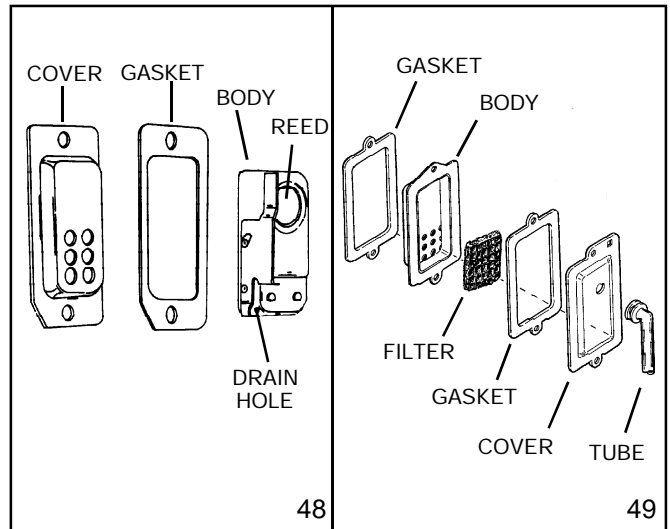


47

### Side Mounted Breather

This type of breather mounts over the valve compartment and uses a reed style check valve. Most horizontal shaft engines use this style of breather. The filter element is held in place by a small barb in the cover. To remove the filter, insert a knife blade between the filter element and the barb, and depress the filter element (diag. 48).

Some engine models have two gaskets installed next to the cylinder block. If two gaskets were originally installed, replace them using two gaskets (diag. 49).

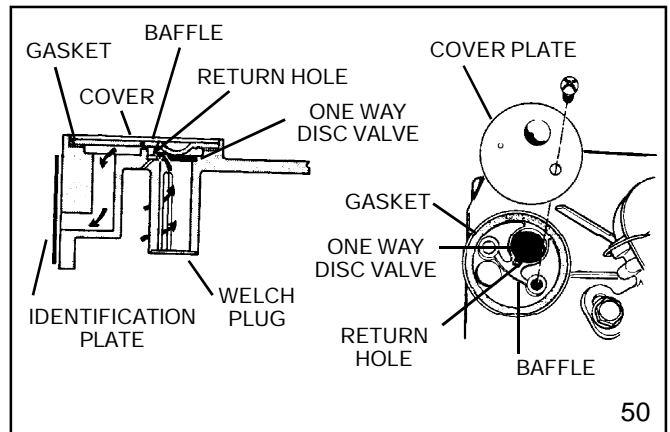


48

49

### Integral Breather

Some ECV engines are equipped with breathers that are part of the cylinder block. Venting is accomplished through passages drilled in the block to route the air flow to the outside (diag. 50).



50

## CYLINDER COVER, OIL SEAL, AND BEARING SERVICE

### Cylinder Cover

The following procedures, except oil seal replacement, require engine disassembly. See "Disassembly Procedure" in this chapter.

Clean and inspect the cover, look for wear and scoring of the bearing surfaces. Measure the bearing surface diameters using a micrometer and check the specifications for worn or damaged parts. Replace as necessary.

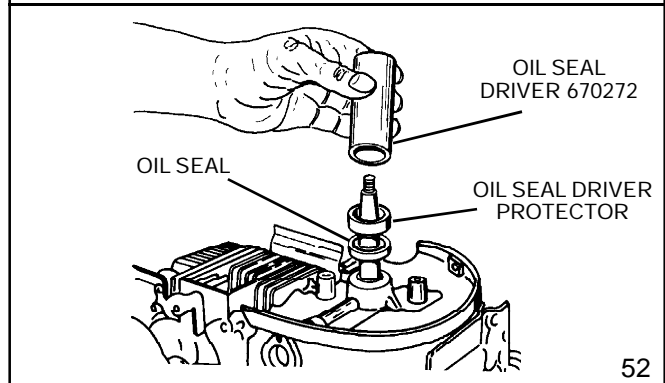
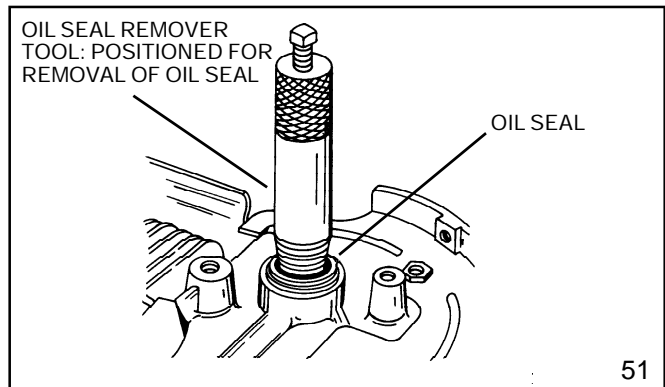
When reinstalling the cover, apply a drop of Loctite 242 to the cover screw threads and re-torque to the recommended specification. Always use new oil seals and gaskets after disassembly.

## Oil Seal Service

**NOTE:** BEFORE REMOVING THE OIL SEAL, CHECK TO SEE IF THE SEAL IS RAISED OR RECESSED. WHEN INSTALLING A NEW OIL SEAL, TAP IT INTO POSITION GENTLY UNTIL IT IS SEATED INTO ITS BOSS. SOME SEALS ARE NOT POSITIONED FLUSH TO THE CYLINDER COVER. ATTEMPTING TO INSTALL THE SEAL TOO FAR IN CAN CAUSE DAMAGE TO THE OIL SEAL AND ENGINE.

If the crankshaft is removed from the engine, remove the old oil seals by tapping them out with a screwdriver or punch from the inside. If the crankshaft is in place, remove the seal by using the proper oil seal puller (diag. 51).

Select the proper seal protector and driver from the tool list in Chapter 11 to install a new oil seal. Place the oil seal over the protector (spring side of seal faces inward) and place it over the crankshaft. Drive the seal into position using the universal driver part no. 670272. The seal protector will insure that the seal is driven in to the proper depth (diag. 52).



## CRANKSHAFT BEARING SERVICE

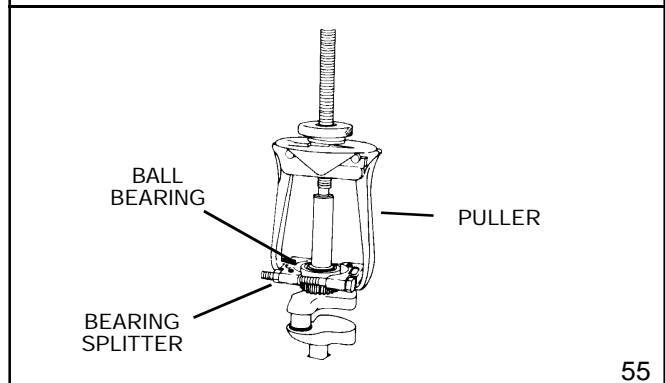
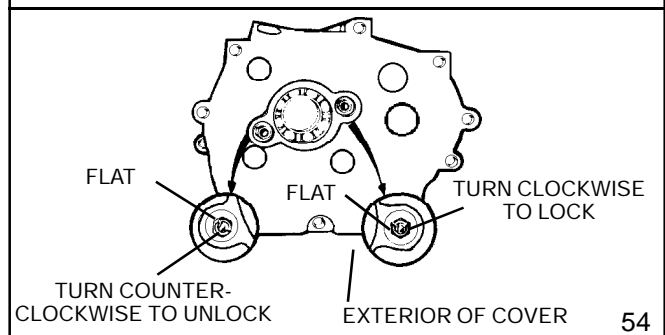
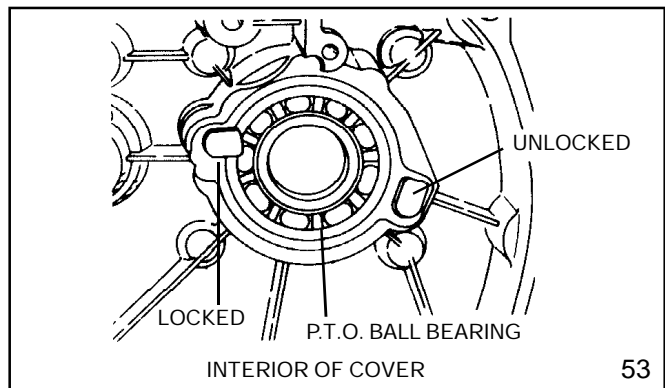
### Ball Bearing Service (H40-HM100 engines)

To remove the ball bearing from the cylinder cover, the bearing locks will have to be rotated out of the way. First loosen the locking nuts with a socket. Turn the retainer bolts counterclockwise to the unlocked position with a needle nose pliers (diag. 53). The flat side of the retainer will face away from the bearing in the unlocked position (diag. 54).

When reinstalling the locks, the flat side must face the bearing while the locking nuts should be torqued to 15-22 inch pounds (1.695 - 2.486 Nm).

To remove a ball bearing from the crankshaft, use a bearing splitter and a puller (diag. 55).

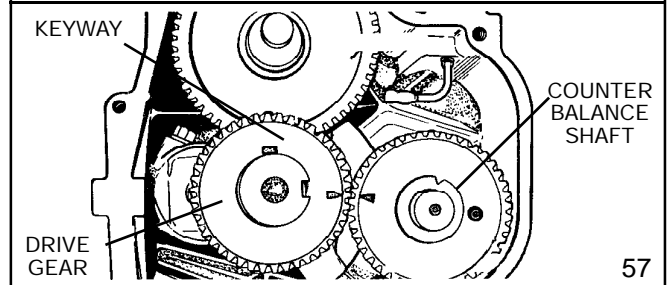
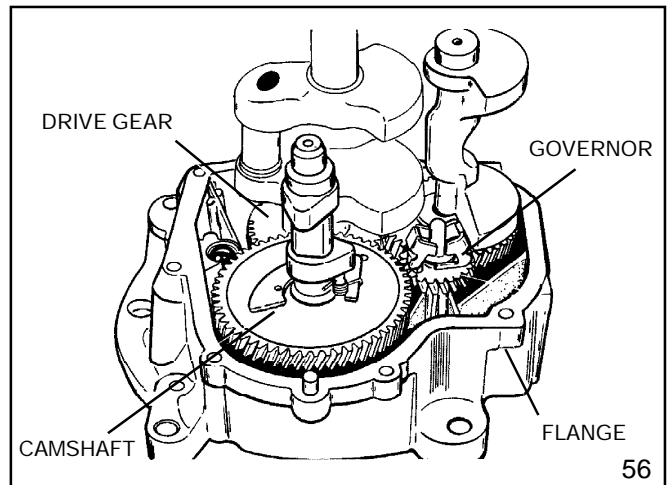
When installing the ball bearing to the crankshaft, the bearing must be heated by either using a hot oil bath or heat lamp to expand the bearing. This will allow the bearing to slide on the crankshaft with no interference fit. Be careful to use adequate protection handling the hot ball bearing. The bearing and the thrust washer must seat tightly against the crankshaft gear.



## COUNTERBALANCE SERVICE

To correctly align the Ultra-Balance® system, rotate the piston to top dead center (TDC) and insert the counterbalance shaft into its boss in the cylinder block with the arrow on the gear pointing toward the crankshaft.

Slide the drive gear on the crankshaft, making sure the drive gear is located on the crankshaft key and that the arrow on the drive gear is aligned with the arrow on the gear on the counterbalance shaft (diag. 56 & 57).

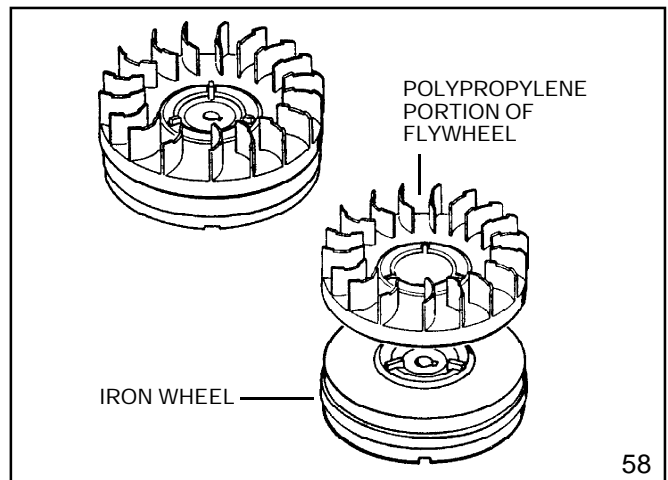


## FLYWHEEL SERVICE

Some Tecumseh engines have polypropylene fans that are replaceable. A damaged fan can be replaced by tapping on the outside portion of the fan until it separates from the iron portion of the flywheel (diag. 58).

A new fan may be installed by heating the polypropylene fan in a pan of boiling water. Suspend the fan off the bottom of the pan while heating. Using adequate protection, install the hot fan to the flywheel. Make sure the fan locators fit into the hub area of the flywheel.

Flywheel magnets are factory installed and permanently bonded to the flywheel. If the magnets are damaged or lose their magnetic strength, the flywheel must be replaced.



# CHAPTER 10

## ENGINE SPECIFICATIONS

*The engine specifications listed on the following pages include tolerances that are considered acceptable to achieve normal engine operation. Observed values inside the listed tolerance range are satisfactory and require no adjustments.*

# FOUR CYCLE TORQUE SPECIFICATIONS

The torque specifications listed in this chart are to be used for replacing components after disassembly, not for checking an existing engine bolt torque. Checking a torque value on a new or used engine may be lower due to torque relaxation that occurs on all engines from thermal expansion and contraction. However, sufficient clamping force exists and a re-torque is not necessary.

Location	in. lbs.	ft. lbs.	Nm	ALL TVXL TVS	ALL TNT	ALL ECV	ALL LAV	H, V, HH, VH 30-40	HSSK HS	TVM 125, 140	HSK H50-60	V50 V60 V70	HSK H70	VM TVM & TVXL 170, 195,220	HMSK HMXL HM	HH, VH 50-70	ALL LEV
Cyl. Head Bolts	200	16.5	22.5	X	X	X	X	X	X	X	X	X	X	X	X	X	X
Conn. Rod Bolts	105	8.5	11.5	X	X	X	X	X	X							X	X
Conn. Rod Bolts	170	14	19							X	X						
Conn. Rod Bolts	210	17.5	24									X	X	X	X		
Cyl. Cover or Flange	115	9.5	13	X	X	X	X	X	X	X	X	X	X				X
Cyl. Cover or Flange (Powerlok)	125	10.5	14							X				X	X	X	
Flywheel Nut (Aluminum)	450	37.5	51	X	X	X	X	X	X								X
Flywheel Nut	475	40	54							X		X		X	X		
Flywheel Nut (Cast iron)	550	46	62	X				X	X		X		X				X
Flywheel Nut	630	52.5	71													X	
Flywheel Nut Ext. Ign.	700	58	79											X	X	X	
Spark Plug	250	21	28.5	X	X	X	X	X	X	X	X	X	X	X	X	X	X
Ign. Mounting (Direct to Cylinder)	45	4	5	X	X	X	X										X
Ign. Mounting (Direct to Cylinder)	90	7.5	10													X	
Ign. Mounting (Stud to Cylinder)	35	3	4					X	X								
Ign. Mounting (to Stud)	45	4	5					X	X	X	X	X	X	X	X		
Intake Pipe to Cylinder	95	8	11	X	X	X	X	X	X								X
Intake Pipe to Cylinder	100	8.5	11.5											X		X	
Intake Pipe to Cylinder	120	10	13.5							X		X			X		
Carburetor to Intake Pipe	70	6	8	X	X	X	X	X	X	X	X	X	X	X	X	X	X
Carb. Adapter to Cylinder	85	7	9.5								X		X				

# FOUR CYCLE TORQUE SPECIFICATIONS - CONTINUED

The torque specifications listed in this chart are to be used for replacing components after disassembly, not for checking an existing engine bolt torque. Checking a torque value on a new or used engine may be lower due to torque relaxation that occurs on all engines from thermal expansion and contraction. However, sufficient clamping force exists and a re-torque is not necessary.

Location	in. lbs.	ft. lbs.	Nm	ALL TVXL TVS	ALL TNT	ALL ECV	ALL LAV	H, V, HH, VH 30-40	HSSK HS	TVM 125, 140	HSK, H50-60	V50 V60 V70	HSK H70	V80 VM TVM & TVXL 170, 195, 220	HMSK HMXL HM	HH, VH 50-70	ALL LEV
Muffler Mounting Shoulder Screw	100	8.5	11.5	X	X	X											X
Muffler Mounting No Shoulder Screw	20	2	2.5	X	X	X	X	X									
Muffler Mounting (Pancake)	37.5	3	4					X									
Muffler Mounting (Lock Tabs)	72.5	6	8	X		X	X		X								
Muffler Mounting (HTL)	87.5	7.5	10	X													
Muffler Mtg.	120	10	13							X	X	X	X	X	X		
Muffler Mtg. Flanged	80	6.5	9					X	X	X	X	X	X	X	X		
Muffler Mtg. Shoulder Bolt	110	9	12.5												X		
Magneto Stator To Cylinder	65	5.5	7.5	X	X	X	X	X	X	X	X	X	X	X	X		
Recoil Starter Top Mount & 8-32 Thread Forming	22.5	2	2.5	X	X	X	X	X	X								X
Recoil Starter (Top Mount)	50	4	5.5				X	X	X	X	X	X	X	X	X	X	X
Recoil Starter (Side Mount Plastic)	85	7	9.5	X	X	X											
Recoil Starter (Side Mount Metal)	60	5	7	X	X	X											
Electric Starter To Cylinder	65	5.5	7.5	X	X	X	X	X	X	X	X	X	X	X	X		X
Electric Starter To Cylinder	95	8	11							X	X	X	X	X	X		
Electric Starter To Cylinder	155	13	17.5													X	



# ENGINE SPECIFICATIONS STANDARD POINT IGNITION

All models have point setting of .020" (.508 mm), spark plug gap of .030" (.762 mm), valve seat angle of 46°.

All dimensions are in inches.

SPECIFICATIONS	LAV25, LAV30, TVS75 Prior to 8/1987, H25, H30-1982 & Prior		H30 (1983 Serial no.)		LAV35, H35 (1982 & prior)		H35 (1983 Serial no.)		ECV100	
	U.S.	Metric mm	U.S.	Metric mm	U.S.	Metric mm	U.S.	Metric mm	U.S.	Metric mm
Displacement (in <sup>3</sup> ) (cc)	7.75	127.02	9.06	148.50	9.06	148.50	9.52	156.03	9.98	163.57
Stroke	1.844	46.838	1.844	46.838	1.844	46.836	1.938	49.225	1.844	46.838
Bore	2.3125 2.3135	58.738 58.763	2.5000 2.5010	63.5 63.525	2.5000 2.5010	63.5 63.525	2.5000 2.5010	63.5 63.525	2.6250 2.6260	66.675 66.700
Timing Dim. B.T.D.C.	0.065	1.651	0.035	.889	0.065	1.651	0.035	.889	0.035	.889
Valve Clearance	.004 .008	.102 .203	.004 .008	.102 .203	.004 .008	.102 .203	.004 .008	.102 .203	.004 .008	.102 .203
Valve Seat Width	.035 .045	.889 1.143	.035 .045	.889 1.143	.035 .045	.889 1.143	.035 .045	.889 1.143	.035 .045	.889 1.143
Valve Guide Oversize Dim.	.2807 .2817	7.130 7.155	.2807 .2817	7.130 7.155	.2807 .2817	7.130 7.155	.2807 .2817	7.130 7.155	.2807 .2817	7.130 7.155
Crankshaft End Play	.005 .027	.127 .686	.005 .027	.127 .686	.005 .027	.127 .686	.005 .027	.127 .686	.005 .027	.127 .686
Crankpin Journal Dia.	.8610 .8615	21.869 21.882	.8610 .8615	21.869 21.882	.8610 .8615	21.869 21.882	.9995 1.0000	25.387 25.400	.8610 .8615	21.869 21.882
Crankshaft Mag. Main Brg. Dia.	.8735 .8740	22.187 22.200	.9985 .9990	25.362 25.375	.8735 .8740	22.187 22.200	.9985 .9990	25.362 25.375	.8735 .8740	22.187 22.200
Crankshaft P.T.O. Main Brg. Dia.	.8735 .8740	22.187 22.200	.8735 .8740	22.187 22.200	.8735 .8740	22.187 22.200	.9985 .9990	25.362 25.375	.8735 .8740	22.187 22.200
Camshaft Bearing	.4975 .4980	12.637 12.649	.4975 .4980	12.637 12.649	.4975 .4980	12.637 12.649	.4975 .4980	12.637 12.649	.4975 .4980	12.637 12.649
Conn. Rod Dia. Crank Brg.	.8620 .8625	21.895 21.908	.8620 .8625	21.895 21.908	.8620 .8625	21.895 21.908	1.0005 1.0010	25.413 25.425	.8620 .8625	21.895 21.908
Piston Diameter Bottom Of Skirt	2.3092 2.3100	58.654 58.674	2.4952 2.4960	63.378 63.398	2.4952 2.4960	63.378 63.398	2.4952 2.4960	63.378 63.398	2.6202 2.6210	66.553 66.573
Ring Groove Side Clearance 1st & 2nd Comp.	.002 .005	.051 .127	.002 .005	.051 .127	.002 .005	.051 .127	.002 .005	.051 .127	.002 .005	.051 .127
Ring Groove Side Clearance Bottom Oil	.0005 .0035	.013 .089	.0005 .0035	.013 .089	.0005 .0035	.013 .089	.0005 .0035	.013 .089	.001 .004	.025 .102
Piston Skirt Clearance	.0025 .0043	.064 .109	.0040 .0058	.102 .147	.0040 .0058	.102 .147	.0040 .0058	.102 .147	.0040 .0058	.102 .147
Ring End Gap	.007 .017	.178 .432	.007 .017	.178 .432	.007 .017	.178 .432	.007 .017	.178 .432	.007 .017	.178 .432
Cylinder Main Brg.	.8755 .8760	22.238 22.250	1.0005 1.0010	25.413 25.425	.8755 .8760	22.238 22.250	1.0005 1.0010	25.413 25.425	.8755 .8760	22.238 22.250
Cylinder Cover/Flange Main Bearing Diameter	.8755 .8760	22.238 22.250	.8755 .8760	22.238 22.250	.8755 .8760	22.238 22.250	1.0005 1.0010	25.413 25.425	.8755 .8760	22.238 22.250

\* Check to determine bore size

Notes: (A) VM & HM80 - Displacement 19.41 (318 cc) (B) VM & HM80 - Bore 3-1/8"(79.375 mm) (C) VM & HM80 Piston Dia. 3.1195/3.1205 (79.235/79.261 mm) (D) VH50, 60 .0015/.0055 (.038/.140mm) (E) VH70 .0038/.0073 (.097/.185 mm) (F) VH, HH50-70 Models .003/.031 (.762/.787 mm)

# ENGINE SPECIFICATIONS STANDARD POINT IGNITION (CONT.)

All models have point setting of .020" (.508 mm), spark plug gap of .030" (.762 mm), valve seat angle of 46°.

All dimensions are in inches.

SPECIFICATIONS	TNT100		V40-V40B, VH40, H40, HH40		LAV40, TVS105, HS40, TVXL105		ECV105		ECV110	
	U.S.	Metric mm	U.S.	Metric mm	U.S.	Metric mm	U.S.	Metric mm	U.S.	Metric mm
<b>Displacement (in³) (cc)</b>	9.98	163.57	11.04	180.95	10.49	171.93	10.5	172.10	11.5	188.49
<b>Stroke</b>	1.844	46.838	2.250	57.15	1.938	49.23	1.938	49.23	1.938	49.23
<b>Bore</b>	2.6250 2.6260	66.675 66.700	2.5000 2.5010	63.500 63.525	2.6250 2.6260	66.675 66.700	2.6250 2.6260	66.675 66.700	2.7500 2.7510	69.85 69.88
<b>Timing Dim. B.T.D.C.</b>	0.035	.889	0.050	1.27	0.035	.889	0.035	.889	0.035	.889
<b>Valve Clearance</b>	.004 .008	.102 .203	.004 .008	.102 .203	.004 .008	.102 .203	.004 .008	.102 .203	.004 .008	.102 .203
<b>Valve Seat Width</b>	.035 .045	.889 1.143	.042 .052	1.067 1.321	.035 .045	.889 1.143	.035 .045	.889 1.143	.035 .045	.889 1.143
<b>Valve Guide Oversize Dim.</b>	.2807 .2817	7.130 7.155	.3432 .3442	8.717 8.743	.2807 .2817	7.130 7.155	.2807 .2817	7.130 7.155	.2807 .2817	7.130 7.155
<b>Crankshaft End Play</b>	.005 .027	.127 .686	.005 .027	.127 .686	.005 .027	.127 .686	.005 .027	.127 .686	.005 .027	.127 .686
<b>Crankpin Journal Dia.</b>	.8610 .8615	21.869 21.882	1.0615 1.0620	26.962 26.975	.9995 1.0000	25.387 25.400	.9995 1.0000	25.387 25.400	.9995 1.0000	25.387 25.400
<b>Crankshaft Mag. Main Brg. Dia.</b>	.9985 .9990	25.362 25.375	.9985 .9990	25.362 25.375	.9985 .9990	25.362 25.375	.9985 .9990	25.362 25.375	.9990 .9995	25.375 25.387
<b>Crankshaft P.T.O. Main Brg. Dia.</b>	.8735 .8740	22.187 22.200	.9985 .9990	25.362 25.375	.9985 .9990	25.362 25.375	.9985 .9990	25.362 25.375	.9985 .9990	25.362 25.375
<b>Camshaft Bearing</b>	.4975 .4980	12.637 12.649	.6230 .6235	15.824 15.837	.4975 .4980	12.637 12.649	.4975 .4980	25.413 25.425	.4975 .4980	25.413 25.425
<b>Conn. Rod Dia. Crank Brg.</b>	.8620 .8625	21.895 21.908	1.0630 1.0635	27.000 27.013	1.0005 1.0010	25.413 25.425	1.0005 1.0010	12.637 12.649	1.0005 1.0010	12.637 12.649
<b>Piston Diameter Bottom Of Skirt</b>	2.6202 2.6210	66.553 66.573	2.4945 2.4950	63.360 63.373	2.6202 2.6210	66.553 66.573	2.6202 2.6210	66.553 66.573	2.7450 2.7455	69.723 69.736
<b>Ring Groove Side Clearance 1st &amp; 2nd Comp.</b>	.002 .005	.051 .127	.002 .005	.051 .127	.002 .005	.051 .127	.002 .005	.051 .127	.002 .005	.051 .127
<b>Ring Groove Side Clearance Bottom Oil</b>	.001 .004	.025 .102	.001 .004	.025 .102	.001 .004	.025 .102	.001 .004	.025 .102	.001 .004	.025 .102
<b>Piston Skirt Clearance</b>	.0040 .0058	.102 .147	.0055 .0070	.140 .178	.0040 .0058	.102 .147	.0040 .0058	.102 .147	.0045 .0060	.114 .152
<b>Ring End Gap</b>	.007 .017	.178 .432	.007 .017	.178 .432	.007 .017	.178 .432	.007 .017	.178 .432	.007 .017	.178 .432
<b>Cylinder Main Brg.</b>	1.0005 1.0010	25.413 25.425	1.0005 1.0010	25.413 25.425	1.0005 1.0010	25.413 25.425	1.0005 1.0010	25.413 25.425	1.0005 1.0010	25.413 25.425
<b>Cylinder Cover/Flange Main Bearing Diameter</b>	.8755 .8760	22.238 22.250	1.0005 1.0010	25.413 25.425	1.0005 1.0010	25.413 25.425	1.0005 1.0010	25.413 25.425	1.0005 1.0010	25.413 25.425

\* Check to determine bore size

Notes: (A) VM & HM80 - Displacement 19.41 (318 cc) (B) VM & HM80 - Bore 3-1/8"(79.375 mm) (C) VM & HM80 Piston Dia. 3.1195/3.1205 (79.235/79.261 mm) (D) VH50, 60 .0015/.0055 (.038/.140mm) (E) VH70 .0038/.0073 (.097/.185 mm) (F) VH, HH50-70 Models .003/.031 (.762/.787 mm)

# ENGINE SPECIFICATIONS STANDARD POINT IGNITION

All models have point setting of .020" (.508 mm), spark plug gap of .030" (.762 mm), valve seat angle of 46°.

All dimensions are in inches.

SPECIFICATIONS	LAV50, TVS120, HS50		TNT 120 ECV120		V50, VH50, TVM125, H50, HH50		V60, VH60, TVM140, H60, HH60		V70, VH70, VM70, H70, HH70	
	U.S.	Metric mm	U.S.	Metric mm	U.S.	Metric mm	U.S.	Metric mm	U.S.	Metric mm
Displacement (in <sup>3</sup> ) (cc)	12.04	197.34	12.04	197.34	12.18	199.63	13.53	221.76	15.04	246.51
Stroke	1.938	49.23	1.938	49.23	2.25	57.15	2.5	63.5	2.532	64.31
Bore	2.8120 2.8130	71.425 71.450	2.8120 2.8130	71.425 71.450	2.6250 2.6260	66.675 66.700	2.6250 2.6260	66.675 66.700	2.7500 2.7510	69.85 69.88
Timing Dim. B.T.D.C.	0.035	.889	0.035	.889	0.080	2.032	0.080	2.032	0.080	2.032
Valve Clearance	.004 .010	.102 .254	.004 .010	.102 .254	.008 .012	.203 .305	.008 .012	.203 .305	.008 .012	.203 .305
Valve Seat Width	.035 .045	.889 1.143	.035 .045	.889 1.143	.042 .052	1.067 1.321	.042 .052	1.067 1.321	.042 .052	1.067 1.321
Valve Guide Oversize Dim.	.2807 .2817	7.130 7.155	.2807 .2817	7.130 7.155	.3432 .3442	8.717 8.743	.3432 .3442	8.717 8.743	.3432 .3442	8.717 8.743
Crankshaft End Play	.005 .027	.127 .686	.005 .027	.127 .027	.005 .027 note F	.127 .027	.005 .027 note F	.127 .027	.005 .027 note F	.127 .027
Crankpin Journal Dia.	.9995 1.0000	25.387 25.400	.9995 1.0000	25.387 25.400	1.0615 1.0620	26.962 26.975	1.0615 1.0620	26.962 26.975	1.1860 1.1865	30.124 30.137
Crankshaft Mag. Main Brg. Dia.	.9985 .9990	25.362 25.375	.9985 .9990	25.362 25.375	.9985 .9990	25.362 25.375	.9985 .9990	25.362 25.375	.9985 .9990	25.362 25.375
Crankshaft P.T.O. Main Brg. Dia.	.9985 .9990	25.362 25.375	.9985 .9990	25.362 25.375	.9985 .9990	25.362 25.375	.9985 .9990	25.362 25.375	.9985 .9990	25.362 25.375
Camshaft Bearing	.4975 .4980	12.637 12.649	.4975 .4980	12.637 12.649	.6230 .6235	15.824 15.837	.6230 .6235	15.824 15.837	.6230 .6235	15.824 15.837
Conn. Rod Dia. Crank Brg.	1.0005 1.0010	25.413 25.425	1.0005 1.0010	25.413 25.425	1.0630 1.0635	27.000 27.013	1.0630 1.0635	27.000 27.013	1.1880 1.1885	30.175 30.188
Piston Diameter Bottom Of Skirt	2.8072 2.8080	71.303 71.323	2.8072 2.8080	71.303 71.323	2.6210 2.6215	66.573 66.586	2.6210 2.6215	66.573 66.586	2.7450 2.7455	69.723 69.736
Ring Groove Side Clearance 1st & 2nd Comp.	.002 .005	.051 .127	.002 .005	.051 .127	.002 .004	.051 .102	.002 .004	.051 .102	.002 .003	.051 .076
Ring Groove Side Clearance Bottom Oil	.001 .004	.025 .102	.001 .004	.025 .102	.002 .004	.051 .102	.002 .004	.051 .102	.001 .003	.025 .076
Piston Skirt Clearance	.0040 .0058	.102 .147	.0040 .0058	.102 .147	.0035 .0050 note D	.089 .127	.0035 .0050 note D	.089 .127	.0045 .0060 note E	.114 .152
Ring End Gap	.007 .017	.178 .432	.007 .017	.178 .432	.010 .020	.254 .508	.010 .020	.254 .508	.010 .020	.254 .508
Cylinder Main Brg.	1.0005 1.0010	25.413 25.425	1.0005 1.0010	25.413 25.425	1.0005 1.0010	25.413 25.425	1.0005 1.0010	25.413 25.425	1.0005 1.0010	25.413 25.425
Cylinder Cover/Flange Main Bearing Diameter	1.0005 1.0010	25.413 25.425	1.0005 1.0010	25.413 25.425	1.0005 1.0010	25.413 25.425	1.0005 1.0010	25.413 25.425	1.0005 1.0010	25.413 25.425

\* Check to determine bore size

Notes: (A) VM & HM80 - Displacement 19.41 (318 cc) (B) VM & HM80 - Bore 3-1/8" (79.375 mm) (C) VM & HM80 Piston Dia. 3.1195/3.1205 (79.235/79.261 mm) (D) VH50, 60 .0015/.0055 (.038/.140mm) (E) VH70 .0038/.0073 (.097/.185 mm) (F) VH, HH50-70 Models .003/.031 (.762/.787 mm)

# ENGINE SPECIFICATIONS STANDARD POINT IGNITION (Cont.)

All models have point setting of .020" (.508 mm), spark plug gap of .030" (.762 mm), valve seat angle of 46°. All dimensions are in inches.

SPECIFICATIONS	TVM170, HM70		V80, VM80*, H70, HM80*		VM80*, TVM195, HM80*, HHM80		VM100, HM100*		TVM220, HM100*	
	U.S.	Metric mm	U.S.	Metric mm	U.S.	Metric mm	U.S.	Metric mm	U.S.	Metric mm
Displacement (in <sup>3</sup> ) (cc)	17.17	281.42	18.65	305.67	19.43 note A	318.46	20.2	333.08	21.82	357.63
Stroke	2.532	64.31	2.532	64.31	2.532 note B	64.31	2.532	64.31	2.532	64.31
Bore	2.9375 2.9385	74.613 74.638	3.0620 3.0630	77.775 77.800	3.1250 3.1260	79.375 79.400	3.1870 3.1880	80.950 80.975	3.3120 3.3130	84.125 84.150
Timing Dim. B.T.D.C.	0.090	2.286	0.090	2.286	0.090	2.286	0.090	2.286	0.090	2.286
Valve Clearance	.008 .012	.203 .305	.008 .012	.203 .305	.008 .012	.203 .305	.008 .012	.203 .305	.008 .012	.203 .305
Valve Seat Width	.042 .052	1.067 1.321	.042 .052	1.067 1.321	.042 .052	1.067 1.321	.042 .052	1.067 1.321	.042 .052	1.067 1.321
Valve Guide Oversize Dim.	.3432 .3442	8.717 8.743	.3432 .3442	8.717 8.743	.3432 .3442	8.717 8.743	.3432 .3442	8.717 8.743	.3432 .3442	8.717 8.743
Crankshaft End Play	.005 .027	.127 .686	.005 .027	.127 .686	.005 .027	.127 .686	.005 .027	.127 .686	.005 .027	.127 .686
Crankpin Journal Dia.	1.1860 1.1865	30.124 30.137	1.1860 1.1865	30.124 30.137	1.1860 1.1865	30.124 30.137	1.1860 1.1865	30.124 30.137	1.1860 1.1865	30.124 30.137
Crankshaft Mag. Main Brg. Dia.	.9985 .9990	25.362 25.375	.9985 .9990	25.362 25.375	.9985 .9990	25.362 25.375	.9985 .9990	25.362 25.375	.9985 .9990	25.362 25.375
Crankshaft P.T.O. Main Brg. Dia.	1.1870 1.1875	30.150 30.163	1.1870 1.1875	30.150 30.163	1.1870 1.1875	30.150 30.163	1.1870 1.1875	30.150 30.163	1.1870 1.1875	30.150 30.163
Camshaft Bearing	.6230 .6235	15.824 15.837	.6230 .6235	15.824 15.837	.6230 .6235	15.824 15.837	.6230 .6235	15.824 15.837	.6230 .6235	15.824 15.837
Conn. Rod Dia. Crank Brg.	1.1880 1.1885	30.175 30.188	1.1880 1.1885	30.175 30.188	1.1880 1.1885	30.175 30.188	1.1880 1.1885	30.175 30.188	1.1880 1.1885	30.175 30.188
Piston Diameter Bottom Of Skirt	2.9325 2.9335	74.486 74.511	3.0575 3.0585 note C	77.661 77.686	3.1195 3.1205	79.235 79.261	3.1815 3.1825	80.810 80.836	3.3090 3.3105	84.049 84.087
Ring Groove Side Clearance 1st & 2nd Comp.	.002 .005	.051 .127	.002 .005	.051 .127	.002 .005	.051 .127	.002 .005	.051 .127	.002 .005	.051 .127
Ring Groove Side Clearance Bottom Oil	.001 .004	.025 .102	.001 .004	.025 .102	.001 .004	.025 .102	.001 .004	.025 .102	.001 .004	.025 .102
Piston Skirt Clearance	.004 .006	.102 .152	.0035 .0055	.089 .140	.0045 .0065	.114 .175	.0045 .0065	.114 .175	.0015 .0040	.038 .102
Ring End Gap	.010 .020	.254 .508	.010 .020	.254 .508	.010 .020	.254 .508	.010 .020	.254 .508	.010 .020	.254 .508
Cylinder Main Brg.	1.0005 1.0010	25.413 25.425	1.0005 1.0010	25.413 25.425	1.0005 1.0010	25.413 25.425	1.0005 1.0010	25.413 25.425	1.0005 1.0010	25.413 25.425
Cylinder Cover/Flange Main Bearing Diameter	1.1890 1.1895	30.201 30.213	1.1890 1.1895	30.201 30.213	1.1890 1.1895	30.201 30.213	1.1890 1.1895	30.201 30.213	1.1890 1.1895	30.201 30.213

\* Check to determine bore size

Notes: (A) VM & HM80 - Displacement 19.41 (318 cc) (B) VM & HM80 - Bore 3-1/8"(79.375 mm) (C) VM & HM80 Piston Dia. 3.1195/3.1205 (79.235/79.261 mm) (D) VH50, 60 .0015/.0055 (.038/.140mm) (E) VH70 .0038/.0073 (.097/.185 mm) (F) VH, HH50-70 Models .003/.031 (.762/.787 mm)

# SOLID STATE AND EXTERNAL IGNITION

All solid state models have air gap settings of .0125" (.3175 mm), spark plug gap of .030" (.762 mm), valve seat angle of 46°. All dimensions are in inches.

SPECIFICATIONS	TVS 75 Prior to 8/87		TVS90		H35		V40, TVS105, HS40		TVS100, ECV100, TNT100	
	U.S.	Metric mm	U.S.	Metric mm	U.S.	Metric mm	U.S.	Metric mm	U.S.	Metric mm
Displacement (in <sup>3</sup> ) (cc)	7.75	127.02	9.06	148.50	9.52	156.03	10.49	171.93	9.98	163.57
Stroke	1.844	46.838	1.844	46.838	1.938	49.225	1.938	49.225	1.844	46.838
Bore	2.3125 2.3135	58.738 58.763	2.500 2.501	63.500 63.525	2.500 2.501	63.500 63.525	2.625 2.626	66.675 66.700	2.625 2.626	66.675 66.700
Valve Clearance	.004 .008	.102 .203	.004 .008	.102 .203	.004 .008	.102 .203	.004 .008	.102 .203	.004 .008	.102 .203
Valve Seat Width	.035 .045	.889 1.143	.035 .045	.889 1.143	.035 .045	.889 1.143	.035 .045	.889 1.143	.035 .045	.889 1.143
Valve Guide Oversize Dim.	.2807 .2817	7.130 7.155	.2807 .2817	7.130 7.155	.2807 .2817	7.130 7.155	.2807 .2817	7.130 7.155	.2807 .2817	7.130 7.155
Crankshaft End Play	.005 .027	.127 .686	.005 .027	.127 .686	.005 .027	.127 .686	.005 .027	.127 .686	.005 .027	.127 .686
Crankpin Journal Dia.	.8610 .8615	21.869 21.882	.8610 .8615	21.869 21.882	.9995 1.0000	25.387 25.400	.9995 1.0000	25.387 25.400	.8610 .8615	21.869 21.882
Crankshaft Mag. Main Brg. Dia.	.9985 .9990	25.362 25.375	.9985 .9990	25.362 25.375	.9985 .9990	25.362 25.375	.9985 .9990	25.362 25.375	.9985 .9990	25.362 25.375
Crankshaft P.T.O. Main Brg. Dia.	.8735 .8740	22.187 22.200	.8735 .8740	22.187 22.200	.9985 .9990	25.362 25.375	.9985 .9990	25.362 25.375	.8735 .8740	22.187 22.200
Camshaft Bearing	.4975 .4980	12.637 12.649	.4975 .4980	12.637 12.649	.4975 .4980	12.637 12.649	.4975 .4980	12.637 12.649	.4975 .4980	12.637 12.649
Conn. Rod Dia. Crank Brg.	.8620 .8625	21.895 21.908	.8620 .8625	21.895 21.908	1.0005 1.0010	25.413 25.425	1.0005 1.0010	25.413 25.425	.8620 .8625	21.895 21.908
Piston Diameter Bottom Of Skirt	2.3092 2.3100	58.654 58.674	2.4952 2.4960	63.738 63.398	2.4952 2.4960	63.738 63.398	2.6202 2.6210	66.553 66.573	2.6202 2.6210	66.553 66.573
Ring Groove Side Clearance 1st & 2nd Comp.	.002 .005	.051 .127	.002 .005	.051 .127	.002 .005	.051 .127	.002 .005	.051 .127	.002 .005	.051 .127
Ring Groove Side Clearance Bottom Oil	.0005 .0035	.013 .089	.0005 .0035	.013 .089	.0005 .0035	.013 .089	.001 .004	.025 .102	.001 .004	.025 .102
Piston Skirt Clearance	.0025 .0043	.064 .109	.0040 .0058	.102 .147	.0040 .0058	.102 .147	.0040 .0058	.102 .147	.0040 .0058	.102 .147
Ring End Gap	.010 .020	.254 .508	.010 .020	.254 .508	.010 .020	.254 .508	.010 .020	.254 .508	.010 .020	.254 .508
Cylinder Main Brg.	1.0005 1.0010	25.413 25.425	1.0005 1.0010	25.413 25.425	1.0005 1.0010	25.413 25.425	1.0005 1.0010	25.413 25.425	1.0005 1.0010	25.413 25.425
Cylinder Cover/Flange Main Bearing Diameter	.8755 .8760	22.238 22.250	.8755 .8760	22.238 22.250	1.0005 1.0010	25.413 25.425	1.0005 1.0010	25.413 25.425	.8755 .8760	22.238 22.250

\* Check to determine bore size

Notes: (A) VM & HM80 - Displacement 19.41 (318 cc) (B) VM & HM80 - Bore 3-1/8"(79.375 mm) (C) VM & HM80 Piston Dia. 3.1195/3.1205 (79.235/79.261 mm) (D) VH50, 60 .0015/.0055 (.038/.140mm) (E) VH70 .0038/.0073 (.097/.185 mm) (F) VH, HH50-70 Models .003/.031 (.762/.787 mm)

# SOLID STATE AND EXTERNAL IGNITION

All solid state models have air gap settings of .0125" (.3175 mm), spark plug gap of .030" (.762 mm), valve seat angle of 46°. All dimensions are in inches.

SPECIFICATIONS	TVS/ TVXL115 57000 Series ONLY		TVS105 56000 Series TVS/TVXL 115, 57000 A & later		TVS120 J & later HS50 H & later HSSK N & later		LAV50, TVS120, HS50 G & earlier HSSK50 M & earlier		VH50, TVM125, H50, HH50	
	U.S.	Metric mm	U.S.	Metric mm	U.S.	Metric mm	U.S.	Metric mm	U.S.	Metric mm
Displacement (in <sup>3</sup> ) (cc)	11.44	187.50	11.32	185.53	11.9	195.04	12.04	197.34	12.18	199.63
Stroke	1.844	46.838	1.844	46.838	1.938	49.23	1.938	49.23	2.250	57.15
Bore	2.812 2.813	71.425 71.450	2.795 2.796	70.993 71.018	2.795 2.796	70.993 71.018	2.812 2.813	71.425 71.450	2.625 2.626	66.675 66.700
Valve Clearance	.004 .008	.102 .203	.004 .008	.102 .203	.004 .008	.102 .203	.004 .008	.102 .203	.008 .012	.203 .305
Valve Seat Width	.035 .045	.889 1.143	.035 .045	.889 1.143	.035 .045	.889 1.143	.035 .045	.889 1.143	.042 .052	1.067 1.321
Valve Guide Oversize Dim.	.2807 .2817	7.130 7.155	.2807 .2817	7.130 7.155	.2807 .2817	7.130 7.155	.2807 .2817	7.130 7.155	.3432 .3442	8.717 8.743
Crankshaft End Play	.005 .027	.127 .686	.005 .027	.127 .686	.005 .027	.127 .686	.005 .027	.127 .686	.005 .027	.127 .686
Crankpin Journal Dia.	.8610 .8615	21.869 21.882	.8610 .8615	21.869 21.882	.9995 1.000	25.387 25.400	.9995 1.000	25.387 25.400	1.0615 1.0620	26.962 26.975
Crankshaft Mag. Main Brg. Dia.	.9985 .9990	25.362 25.375	.9985 .9990	25.362 25.375	.9985 .9990	25.362 25.375	.9985 .9990	25.362 25.375	.9985 .9990	25.362 25.375
Crankshaft P.T.O. Main Brg. Dia.	.8735 .8740	22.187 22.200	.9985 .9990	25.362 25.375	.9985 .9990	25.362 25.375	.9985 .9990	25.362 25.375	.9985 .9990	25.362 25.375
Camshaft Bearing	.4975 .4980	12.637 12.649	.4975 .4980	12.637 12.649	.4975 .4980	12.637 12.649	.4975 .4980	12.637 12.649	.6230 .6235	15.824 15.837
Conn. Rod Dia. Crank Brg.	.8620 .8625	21.895 21.908	.8620 .8625	21.895 21.908	1.0005 1.0010	25.413 25.425	1.0005 1.0010	25.413 25.425	1.0630 1.0635	27.000 27.013
Piston Diameter Bottom Of Skirt	2.8072 2.8080	71.303 71.323	2.790 2.791	70.866 70.891	2.790 2.791	70.866 70.891	2.8072 2.8080	71.303 71.323	2.6212 2.6220 Note (D)	66.578 66.599
Ring Groove Side Clearance 1st & 2nd Comp.	.002 .005	.051 .127	.002 .005	.051 .127	.002 .005	.051 .127	.002 .005	.051 .127	.002 .005	.051 .127
Ring Groove Side Clearance Bottom Oil	.001 .004	.025 .102	.001 .004	.025 .102	.001 .004	.025 .102	.001 .004	.025 .102	.001 .004	.025 .102
Piston Skirt Clearance	.0040 .0058	.102 .147	.0040 .0058	.102 .147	.0040 .0058	.102 .147	.0040 .0058	.102 .147	.0030 .0048	.076 .122
Ring End Gap	.010 .020	.254 .508	.010 .020	.254 .508	.010 .020	.254 .508	.010 .020	.254 .508	.010 .020	.254 .508
Cylinder Main Brg.	1.0005 1.0010	25.413 25.425	1.0005 1.0010	25.413 25.425	1.0005 1.0010	25.413 25.425	1.0005 1.0010	25.413 25.425	1.0005 1.0010	25.413 25.425
Cylinder Cover/Flange Main Bearing Diameter	1.0005 1.0010	25.413 25.425	1.0005 1.0010	25.413 25.425	1.0005 1.0010	25.413 25.425	1.0005 1.0010	25.413 25.425	1.0005 1.0010	25.413 25.425

\* Check to determine bore size

Notes: (A) VM & HM80 - Displacement 19.41 (318 cc) (B) VM & HM80 - Bore 3-1/8"(79.375 mm) (C) VM & HM80 Piston Dia. 3.1195/3.1205 (79.235/79.261 mm) (D) VH50, 60 .0015/.0055 (.038/.140mm) (E) VH70 .0038/.0073 (.097/.185 mm) (F) VH, HH50-70 Models .003/.031 (.762/.787 mm)

# SOLID STATE AND EXTERNAL IGNITION

All solid state models have air gap settings of .0125" (.3175 mm), spark plug gap of .030" (.762 mm), valve seat angle of 46°. All dimensions are in inches.

SPECIFICATIONS	LEV80		LEV100		LEV115		LEV120	
	U.S.	Metric mm	U.S.	Metric mm	U.S.	Metric mm	U.S.	Metric mm
<b>Displacement (in<sup>3</sup>) (cc)</b>	7.75	127.02	9.98	163.57	11.32	185.53	11.90	195.04
<b>Stroke</b>	1.844	46.838	1.844	46.838	1.844	46.838	1.938	49.23
<b>Bore</b>	2.313	58.750	2.625 2.626	66.675 66.700	2.795 2.796	70.993 71.018	2.795 2.796	70.993 71.018
<b>Valve Clearance</b>	.004 .008	.102 .203	.004 .008	.102 .203	.004 .008	.102 .203	.004 .008	.102 .203
<b>Valve Seat Width</b>	.035 .045	.889 1.143	.066 .086	1.676 2.184	.066 .086	1.676 2.184	.066 .086	1.676 2.184
<b>Valve Guide Oversize Dim.</b>	N / A		N / A		N / A		N / A	
<b>Crankshaft End Play</b>	.005 .027	.127 .686	.005 .027	.127 .686	.005 .027	.127 .686	.005 .027	.127 .686
<b>Crankpin Journal Dia.</b>	.8610 .8615	21.869 21.882	.9995 1.000	25.837 25.400	.9995 1.000	25.837 25.400	.9995 1.000	25.837 25.400
<b>Crankshaft Mag. Main Brg. Dia.</b>	.9985 .9990	25.362 25.375	.9985 .9990	25.362 25.375	.9985 .9990	25.362 25.375	.9985 .9990	25.362 25.375
<b>Crankshaft P.T.O. Main Brg. Dia.</b>	.8735 .8740	22.187 22.200	.9985 .9990	25.362 25.375	.9985 .9990	25.362 25.375	.9985 .9990	25.362 25.375
<b>Camshaft Bearing</b>	.4975 .4980	12.637 12.649	.4975 .4980	12.637 12.649	.4975 .4980	12.637 12.649	.4975 .4980	12.637 12.649
<b>Conn. Rod Dia. Crank Brg.</b>	.8620 .8625	21.895 21.908	1.0005 1.0010	25.413 25.425	1.0005 1.0010	25.413 25.425	1.0005 1.0010	25.413 25.425
<b>Piston Diameter Bottom Of Skirt</b>	2.309 2.310	58.649 58.674	2.620 2.622	66.548 66.599	2.790 2.792	70.866 70.917	2.790 2.792	70.866 70.917
<b>Ring Groove Side Clearance 1st &amp; 2nd Comp.</b>	.0011 .0043	.028 .109	.005 Max.	.127	.005 Max.	.127	.005 Max.	.127
<b>Ring Groove Side Clearance Bottom Oil</b>	.001 .004	.025 .102	.0035 Max.	.089	.0035 Max.	.089	.0035 Max.	.089
<b>Piston Skirt Clearance</b>	.0025 .0045	.064 .114	.003 .006	.076 .152	.003 .006	.076 .152	.003 .006	.076 .152
<b>Ring End Gap</b>	.005 .013	.127 .330	.005 .024	.127 .610	.005 .024	.127 .610	.005 .024	.127 .610
<b>Cylinder Main Brg.</b>	1.0005 1.0010	25.413 25.425	1.0005 1.0010	25.413 25.425	1.0005 1.0010	25.413 25.425	1.0005 1.0010	25.413 25.425
<b>Cylinder Cover/Flange Main Bearing Diameter</b>	.8755 .8760	22.238 22.250	1.0005 1.0010	25.413 25.425	1.0005 1.0010	25.413 25.425	1.0005 1.0010	25.413 25.425

# SOLID STATE AND EXTERNAL IGNITION

All solid state models have air gap settings of .0125" (.3175 mm), spark plug gap of .030" (.762 mm), valve seat angle of 46°. All dimensions are in inches.

SPECIFICATIONS	HSK60 VH60, TVM140, H60, HH60		V70, VH70,H70, HSK70, HH70, TVM170 (E) MODEL		HM70 (Models ending in C)		HM70 (Models ending in D)		TVM170 Models F & UP ), HM70 Models (E & up)	
	U.S.	Metric mm	U.S.	Metric mm	U.S.	Metric mm	U.S.	Metric mm	U.S.	Metric mm
Displacement (in³) (cc)	13.53	221.76	15.04	246.51	17.17	281.42	17.17	281.42	19.43	318.46
Stoke	2.500	63.5	2.532	64.31	2.532	64.31	2.532	64.31	2.532	64.31
Bore	2.625 2.626	66.675 66.700	2.750 2.751	69.85 69.88	2.9375 2.9385	74.613 74.638	2.9375 2.9385	74.613 74.638	3.125 3.126	79.374 79.400
Valve Clearance	.008 .012	.203 .305	.008 .012	.203 .305	.008 .012	.203 .305	.008 .012	.203 .305	.008 .012	.203 .305
Valve Seat Width	.042 .052	1.067 1.321	.042 .052	1.067 1.321	.042 .052	1.067 1.321	.042 .052	1.067 1.321	.042 .052	1.067 1.321
Valve Guide Oversize Dim.	.3432 .3442	8.717 8.743	.3432 .3442	8.717 8.743	.3432 .3442	8.717 8.743	.3432 .3442	8.717 8.743	.3432 .3442	8.717 8.743
Crankshaft End Play	.005 .027 Note (A)	.127 .686	.005 .027 Note (A)	.127 .686	.005 .027	.127 .686	.007 .029	.178 .737	.007 .029	.178 .737
Crankpin Journal Dia.	1.0615 1.0620	26.962 26.975	1.1862 1.1865	30.129 30.137	1.1860 1.1865	30.124 30.137	1.3740 1.3745	34.900 34.912	1.3740 1.3745	34.900 34.912
Crankshaft Mag. Main Brg. Dia.	.9985 .9990	25.362 25.375	.9985 .9990	25.362 25.375	.9985 .9990	25.362 25.375	1.3745 1.3750	34.912 34.925	1.3745 1.3750	34.912 34.925
Crankshaft P.T.O. Main Brg. Dia.	.9985 .9990	25.362 25.375	.9985 .9990	25.362 25.375	1.1870 1.1875	30.150 30.163	1.3745 1.3750	34.912 34.925	1.3745 1.3750	34.912 34.925
Camshaft Bearing	.6230 .6235	15.824 15.837	.6230 .6235	15.824 15.837	.6230 .6235	15.824 15.837	.6230 .6235	15.824 15.837	.6230 .6235	15.824 15.837
Conn. Rod Dia. Crank Brg.	1.0630 1.0635	27.000 27.013	1.0630 1.0635	27.000 27.013	1.1880 1.1885	30.175 30.188	1.3760 1.3765 Note (F)	34.950 34.963	1.3760 1.3765 Note (F)	34.950 34.963
Piston Diameter Bottom Of Skirt	2.6212 2.6220 Note (D)	66.578 66.599	2.6212 2.6220 Note (E)	66.578 66.599	2.9325 2.9335	74.486 74.511	2.9325 2.9335	74.486 74.511	3.1195 3.1205	79.235 79.261
Ring Groove Side Clearance 1st & 2nd Comp.	.002 .005	.051 .127	.002 .005	.051 .127	.002 .005	.051 .127	.002 .005	.051 .127	.002 .005	.051 .127
Ring Groove Side Clearance Bottom Oil	.001 .004	.025 .102	.001 .004	.025 .102	.001 .004	.025 .102	.001 .004	.025 .102	.001 .004	.025 .102
Piston Skirt Clearance	.0030 .0048 Note (B)	.076 .122	.0030 .0048 Note (C)	.076 .122	.004 .006	.102 .152	.004 .006	.102 .152	.0045 .0065	.114 .165
Ring End Gap	.010 .020	.254 .508	.010 .020	.254 .508	.010 .020	.254 .508	.010 .020	.254 .508	.010 .020	.254 .508
Cylinder Main Brg.	1.0005 1.0010	25.413 25.425	1.0005 1.0010	25.413 25.425	1.0005 1.0010	25.413 25.425	1.3765 1.3770	34.963 34.976	1.3765 1.3770	34.963 34.976
Cylinder Cover/Flange Main Bearing Diameter	1.0005 1.0010	25.413 25.425	1.0005 1.0010	25.413 25.425	1.1890 1.1895	30.200 30.213	1.3765 1.3770	34.963 34.976	1.3765 1.3770	34.963 34.976

\* Check to determine bore size

Notes: (A) VH, HH50-70 models .003/.031 (.762/.787 mm) (B) VH, HH50-60 .0015/.005 (.038/.140 mm) (C) VH, HH70 .0038/.0073 (.097/.185 mm) (D) VH, HH50-60 2.6235/2.6205 (66.637/66.561 mm) (E) VH, HH70 2.7462/2.7437 (69.754/69.69 mm) (F) After Serial Number 9274 1.3775/1.3780 (34.989/35.001 mm) (G) TVM 220 Ultra Balance .002/.042 (.153/2.184 mm)

\*\* Check to determine crankshaft bearing diameters



# SOLID STATE AND EXTERNAL IGNITION (Cont.)

All solid state models have air gap settings of .0125" (.3175 mm), spark plug gap of .030" (.762 mm), valve seat angle of 46°. All dimensions are in inches.

SPECIFICATIONS	HMSK80 VM80*, TVM195 (A-K), HM80**		HM80**, HM90, HMSK90, TVM195 (L & up), TVXL195		TVM220 (A-F), HM100**		HMSK100, HMSK110 TVM220 (G & up), TVXL220, HM100**	
	U.S.	Metric mm	U.S.	Metric mm	U.S.	Metric mm	U.S.	Metric mm
Displacement (in³) (cc)	19.43	318.46	19.43	318.46	21.82	357.63	21.82	357.63
Stoke	2.532	64.31	2.532	64.31	2.532	64.31	2.532	64.31
Bore	3.125 3.126	79.375 79.400	3.125 3.126	79.375 79.400	3.312 3.313	84.125 84.150	3.312 3.313	84.125 84.150
Valve Clearance	.008 .012	.203 .305	.008 .012	.203 .305	.008 .012	.203 .305	.008 .012	.203 .305
Valve Seat Width	.042 .052	1.067 1.321	.042 .052	1.067 1.321	.042 .052	1.067 1.321	.042 .052	1.067 1.321
Valve Guide Oversize Dim.	.3432 .3442	8.717 8.743	.3432 .3442	8.717 8.743	.3432 .3442	8.717 8.743	.3432 .3442	8.717 8.743
Crankshaft End Play	.007 .029	.178 .737	.007 .029	.178 .737	.007 .029	.178 .737	.007 .029 Note (G)	.178 .737
Crankpin Journal Dia.	1.1860 1.1865	30.124 30.137	1.3740 1.3745	34.900 34.912	1.1860 1.1865	30.124 30.137	1.3740 1.3745	34.900 34.912
Crankshaft Mag. Main Brg. Dia.	.9985 .9990	25.362 25.375	1.3745 1.3750	34.912 34.925	.9985 .9990	25.362 25.375	1.3745 1.3750	34.912 34.925
Crankshaft P.T.O. Main Brg. Dia.	1.1870 1.1875	30.150 30.163	1.3745 1.3750	34.912 34.925	1.1870 1.1875	30.150 30.163	1.3745 1.3750	34.912 34.925
Camshaft Bearing	.6230 .6235	15.824 15.837	.6230 .6235	15.824 15.837	.6230 .6235	15.824 15.837	.6230 .6235	15.824 15.837
Conn. Rod Dia. Crank Brg.	1.1880 1.1885	30.175 30.188	1.3760 1.3765 Note (F)	34.950 34.963	1.1880 1.1885	30.175 30.188	1.3760 1.3765 Note (F)	34.950 34.963
Piston Diameter Bottom Of Skirt	3.1195 3.1205	79.235 79.261	3.1195 3.1205	79.235 79.261	3.3090 3.3105	84.049 84.087	3.3098 3.3108	84.069 84.094
Ring Groove Side Clearance 1st & 2nd Comp.	.002 .005	.051 .127	.002 .005	.051 .127	.0015 .0035	.038 .039	.0015 .0035	.038 .039
Ring Groove Side Clearance Bottom Oil	.001 .004	.025 .102	.001 .004	.025 .102	.001 .004	.025 .102	.001 .004	.025 .102
Piston Skirt Clearance	.0045 .0065	.144 .165	.0045 .0065	.144 .165	.0015 .0040	.038 .102	.0012 .0032	.030 .081
Ring End Gap	.010 .020	.254 .508	.010 .020	.254 .508	.010 .020	.254 .508	.010 .020	.254 .508
Cylinder Main Brg.	1.0005 1.0010	25.413 25.425	1.3765 1.3770	34.963 34.976	1.0005 1.0010	25.413 25.425	1.3765 1.3770	34.963 34.976
Cylinder Cover/Flange Main Bearing Diameter	1.1890 1.1895	30.200 30.213	1.3765 1.3770	34.963 34.976	1.1890 1.1895	30.200 30.213	1.3765 1.3770	34.963 34.976

\* Check to determine bore size

Notes: (A) VH, HH50-70 models .003/.031 (.762/.787 mm) (B) VH, HH50-60 .0015/.005 (.038/.140 mm) (C) VH, HH70 .0038/.0073 (.097/.185 mm) (D) VH, HH50-60 2.6235/2.6205 (66.637/66.561 mm) (E) VH, HH70 2.7462/2.7437 (69.754/69.69 mm) (F) After Serial Number 9274 1.3775/1.3780 (34.989/35.001 mm) (G) TVM 220 Ultra Balance .002/.042 (.153/2.184 mm)

\*\* Check to determine crankshaft bearing diameters

# CHAPTER 11

## EDUCATIONAL MATERIALS AND TOOLS

### AVAILABLE TECHNICIAN'S HANDBOOKS

**692508**

Covers the diagnosis and repair of Tecumseh 2-cycle engines. Except the TC Engine and TVS840.

**692509**

Covers the diagnosis and repair of the Tecumseh 4-cycle light/medium frame engines.

**691462A**

Covers the diagnosis and repair of Tecumseh 4-cycle large frame engines.

**691218**

Covers the diagnosis and repair of Peerless® power train components.

**694782**

Contains technical information for the repair of the TC series, 2-cycle engines.

**694988**

Contains diagnosis and technical information for the repair of TVS840, HSK/HXL845/850, 2-cycle engines.

**695244A**

Covers the diagnosis and repair of the OVRM/OVM/OHM/OHV 4-cycle overhead valve engines.

**695578**

Covers the diagnosis and repair of the Vector Series, 4-cycle engines.

### AVAILABLE FOREIGN TECHNICIAN'S HANDBOOKS

**694732 Spanish**

This manual covers the following models: VH80, VH100, HH80, HH100, HH120, OH120-180  
Model numbers are located on the engine shroud.

**695555 Spanish**

Covers the diagnosis and repair of the Tecumseh 4-cycle light/medium frame engines.

**695657 German**

Covers the diagnosis and repair of the Tecumseh 4-cycle light/medium frame engines.

**695562 French**

Covers the diagnosis and repair of the Tecumseh 4-cycle light/medium frame engines.

### VIDEO PROGRAMS

**695015**

Carburetor Troubleshooting. Covers identification of carburetors used on Tecumseh engines and how to troubleshoot and repair them. VHS only.

**695059**

Understanding Tecumseh Ignition Systems. A basic program designed to give the small engine technician first hand knowledge of Tecumseh ignition systems so the technician can understand the system and perform repairs to it. VHS only.

**695148**

Teardown and reassembly of the 900 series transaxles. This video will show a complete step-by-step procedure for teardown and reassembly of the 900, 910 and 920 series transaxles.

**695185**

Electrical Troubleshooting. This video training program will assist the small engine technician in the proper procedures for troubleshooting electrical systems on outdoor power equipment.

**695285**

An in-depth look at the 800 series transaxles. Detailing the teardown and reassembly procedures for the 800, 801 and 820 transaxles.

### SPECIAL BOOKLETS

#### INSTRUCTIONAL GUIDE

**692738**

Assists in the use and understanding of the Tecumseh Master Parts Manual. Illustrates time saving features incorporated into the manual. Explains new carburetor parts breakdown format.

#### 4-CYCLE ENGINE FAILURE ANALYSIS

**695590**

This booklet is designed as a tool for the average technician to correctly assess the cause of failure.

#### CARBURETOR TROUBLESHOOTING BOOKLET

**695907**

This booklet is designed as a quick reference to carburetion problems and related repair procedures.

#### IGNITION SYSTEMS TROUBLESHOOTING BOOKLET

**694903**

This booklet contains information on the identification, possible problems and related repair procedures of Tecumseh Ignition Systems.

#### SPECIAL TOOLS BOOKLET

**694862**

This booklet depicts all specialty tools offered by Tecumseh which can be used on 2 and 4 cycle engines and Peerless units.

#### QUICK REFERENCE CHART BOOKLET

**695933**

This booklet contains the quick reference information found on Tecumseh wall charts.

This booklet is designed to be used as a work bench quick reference guide when servicing Tecumseh engines and motion drive systems.

### TESTER BOOKLETS

**694529**

Test procedures for Tecumseh electrical components using Graham-Lee Tester 31-SM or 31-SMX-H.

**694530**

Test procedures for Tecumseh electrical components using Merco-O-Tronic Tester 9800. (Tests are similar for 98, 98A and 79.)

### OIL SEAL DRIVER



No. 670272 - Oil Seal Driver. Used with all oil seal protector-drivers to drive the seal into position.

### OIL SEAL PROTECTOR / INSTALLER

Consult the specification chart or measure the shaft diameter to determine the correct tool.

#### 670260 - Seal Protector

PTO & Magneto w/dia. of 1.187"-1.875"  
HH80-120, VH80-120, OH120-180, VM70-100, HM70-100

#### 670261 - Seal Protector

PTO & Magneto w/dia. of .811"-.815"  
External ignition lightweight engines

#### 670262 - Seal Protector

PTO & Magneto w/dia. of .749"-.750"  
Standard ignition lightweight engines

#### 670308 - Seal Adaptor

PTO & Magneto on HM70-100, TVM170-220, OVM120, TVXL195-220, HMSK100, w/shaft dia. of 1.3745"-1.3750"

#### 670309 - Seal Protector

PTO & Magneto on HM70-100, TVM170-220, OVM120, TVXL195-220, HMSK100, w/shaft dia. of 1.3745"-1.3750"

#### 670310 - Seal Protector / Installer

PTO & Magneto on HM70-100, TVM170-220, OVM120, TVXL195-220, HMSK100, w/shaft dia. of 1.3745"-1.3750"

#### 670263 - Seal Protector Driver

Oil seal on extended camshaft medium frame engines w/dia. of .6248"-.6253"

Extended 5/8" camshaft medium frame engines

#### 670264 - Seal Protector Driver

Oil seal on 1/2" extended camshaft small frame engines w/dia. of .4998"-.5001"

#### 670272 - Seal Driver

Used with all oil seal installers

#### 670277 - Seal Protector

Oil seal on 8-1/2:1 1/2" shaft on light weight vertical crankshaft engines

#### 670292 - Seal Protector and Installer Assy.

Includes 670265, 670266, & 670267  
(I.D. 1.002", 1.052" and 1.050") for V70, VM70-100, H70, HM70-100, V50-70, H50-70, HS40-50, LAV40-50, TVS105-120, TNT120

#### 670293 - Seal Protector and Installer Assy.

Includes 670268 & 670269  
(I.D. .875" and .935") H30-35, LAV30-35, TNT100, TVS75-90, ECV90-100

#### 670294 - Seal Protector and Installer Assy.

Includes 670273 & 670274  
(I.D. .680" and 1.005") AH520 & AH600 with one piece oil seal

#### 670330 - Seal Protector / Installer

OHV13.5-17 w/ 1-1/2" extended camshaft

#### 670335 - Seal Protector / Installer

HM70-100 PTO & Magneto w/dia. of 1.1870"-1.1875"

#### 670336 - Seal Installer - Adaptor

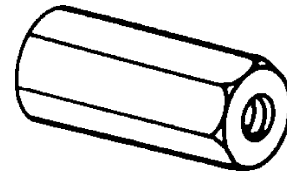
HM70-100 w/ 1-1/8" crankshaft

#### 670337 - Seal Installer for Ball Bearing PTO

OHH engines, use w/ tool 670265

Use tool 670266

### FLYWHEEL KNOCK-OFF TOOL



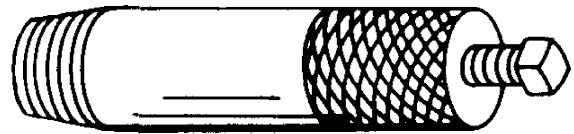
No. 670103 - Knock-off tool (right hand) (7/16").

No. 670169 - Knock-off tool (right hand) (1/2").

No. 670314 - Knock-off tool (right hand) (5/8").

No. 670329 - Knock-off tool (right hand) (3/4").

### OIL SEAL REMOVER



Consult the specification chart or measure the shaft diameter to determine the correct tool.

**NOTE:** Due to variations in oil seal dimensions, these removers may not pull all oil seals.

#### USE WITH:

No. 670287. 7/8" Crankshaft bearing diameters

No. 670288. 3/4" Crankshaft bearing diameters

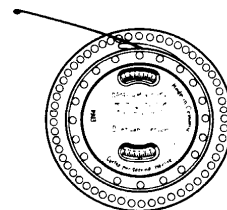
No. 670289. 13/16" Crankshaft bearing diameters

No. 670290. 1" Crankshaft bearing diameters

No. 670312. 1-3/8" Crankshaft bearing diameters

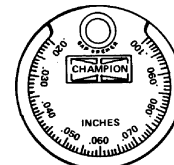
No. 670331. 1-1/2" Crankshaft bearing diameters

### VIBRATION TACHOMETER



No. 670156 Vibration tachometer.

### TAPER GAP GAUGE



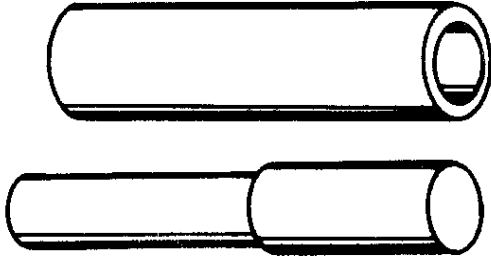
No. 670256 Taper Gap Gauge

**VALVE LAPPING TOOL**



**No. 670154** Valve lapping tool.

**REBUSHING DRIVERS**



Tool Number	Description	Use with:
A. 670158	Bearing Driver	7/8" (22.225 mm) Main Bearings where bushings are available.
B. 670159	Bushing Driver	
A. 670162	Bearing Driver	1" (25.4 mm) Main Bearings where bushings are available
B. 670163	Bushing Driver	
A. NONE		
B. 670311	Bushing Driver	1-3/8" (41.275 mm) HM70 100, TVM170 220 and OVM120.
670317	Bushing Driver	1-3/16" (20.6375 mm) HM70, HM80 and HM100 Cylinder cover

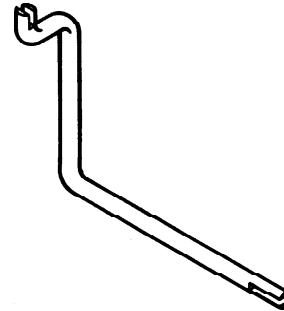
**1/32" (.794 mm) OVERSIZE VALVE GUIDE REAMER**



**No. 670283.** Used on small frame 4 cycle engines on Intake and Exhaust valve guides. Oversize diameter .2807  
.2817

**No. 670284.** Used on medium and large frame 4 cycle engines on Intake and Exhaust. Oversize diameter .3432  
.3442

**OVRM and OHV11-17 ADJUSTMENT TOOL**

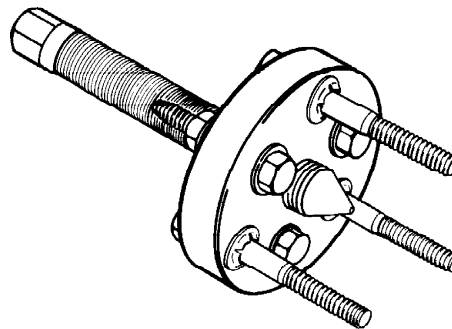


**No. 670326**



**No. 670298** Alignment Tool.

**FLYWHEEL PULLER**



**No. 670306**

# DECIMAL/FRACTION CONVERSIONS

<b>.016</b>	<b>=</b>	<b>1/64</b>	<b>.516</b>	<b>=</b>	<b>33/64</b>
<b>.031</b>	<b>=</b>	<b>1/32</b>	<b>.531</b>	<b>=</b>	<b>17/32</b>
<b>.047</b>	<b>=</b>	<b>3/64</b>	<b>.547</b>	<b>=</b>	<b>35/64</b>
<b>.063</b>	<b>=</b>	<b>1/16</b>	<b>.563</b>	<b>=</b>	<b>9/16</b>
<b>.078</b>	<b>=</b>	<b>5/64</b>	<b>.578</b>	<b>=</b>	<b>37/64</b>
<b>.094</b>	<b>=</b>	<b>3/32</b>	<b>.594</b>	<b>=</b>	<b>19/32</b>
<b>.109</b>	<b>=</b>	<b>7/64</b>	<b>.609</b>	<b>=</b>	<b>39/64</b>
<b>.125</b>	<b>=</b>	<b>1/8</b>	<b>.625</b>	<b>=</b>	<b>5/8</b>
<b>.141</b>	<b>=</b>	<b>9/64</b>	<b>.641</b>	<b>=</b>	<b>41/64</b>
<b>.156</b>	<b>=</b>	<b>5/32</b>	<b>.656</b>	<b>=</b>	<b>21/32</b>
<b>.172</b>	<b>=</b>	<b>11/64</b>	<b>.672</b>	<b>=</b>	<b>43/64</b>
<b>.188</b>	<b>=</b>	<b>3/16</b>	<b>.688</b>	<b>=</b>	<b>11/16</b>
<b>.203</b>	<b>=</b>	<b>13/64</b>	<b>.703</b>	<b>=</b>	<b>45/64</b>
<b>.219</b>	<b>=</b>	<b>7/32</b>	<b>.719</b>	<b>=</b>	<b>23/32</b>
<b>.234</b>	<b>=</b>	<b>15/64</b>	<b>.734</b>	<b>=</b>	<b>47/64</b>
<b>.25</b>	<b>=</b>	<b>1/4</b>	<b>.75</b>	<b>=</b>	<b>3/4</b>
<b>.266</b>	<b>=</b>	<b>17/64</b>	<b>.766</b>	<b>=</b>	<b>49/64</b>
<b>.281</b>	<b>=</b>	<b>9/32</b>	<b>.781</b>	<b>=</b>	<b>25/32</b>
<b>.297</b>	<b>=</b>	<b>19/64</b>	<b>.797</b>	<b>=</b>	<b>51/64</b>
<b>.312</b>	<b>=</b>	<b>5/16</b>	<b>.813</b>	<b>=</b>	<b>13/16</b>
<b>.328</b>	<b>=</b>	<b>21/64</b>	<b>.828</b>	<b>=</b>	<b>53/64</b>
<b>.344</b>	<b>=</b>	<b>11/32</b>	<b>.844</b>	<b>=</b>	<b>27/32</b>
<b>.359</b>	<b>=</b>	<b>23/64</b>	<b>.859</b>	<b>=</b>	<b>55/64</b>
<b>.375</b>	<b>=</b>	<b>3/8</b>	<b>.875</b>	<b>=</b>	<b>7/8</b>
<b>.391</b>	<b>=</b>	<b>25/64</b>	<b>.891</b>	<b>=</b>	<b>57/64</b>
<b>.406</b>	<b>=</b>	<b>13/32</b>	<b>.906</b>	<b>=</b>	<b>29/32</b>
<b>.422</b>	<b>=</b>	<b>27/64</b>	<b>.922</b>	<b>=</b>	<b>59/64</b>
<b>.438</b>	<b>=</b>	<b>7/16</b>	<b>.938</b>	<b>=</b>	<b>15/16</b>
<b>.453</b>	<b>=</b>	<b>29/64</b>	<b>.953</b>	<b>=</b>	<b>61/64</b>
<b>.469</b>	<b>=</b>	<b>15/32</b>	<b>.969</b>	<b>=</b>	<b>31/32</b>
<b>.484</b>	<b>=</b>	<b>31/64</b>	<b>.984</b>	<b>=</b>	<b>63/64</b>
<b>.50</b>	<b>=</b>	<b>1/2</b>			

# SEARS CRAFTSMAN CROSS REFERENCE CHARTS

Craftsman Tecumseh		Craftsman Tecumseh		Craftsman Tecumseh		Craftsman Tecumseh	
143.201032	LAV30-30462H	143.214322	ECV100-145023A	143.224362	ECV100-145033A	143.233012	LAV30-30502K
143.201042	LAV30-30467H	143.214332	LAV35-40644J	143.224372	LAV35-40689K	143.233032	LAV30-30504K
143.203012	LAV30-30460H	143.214352	ECV100-145026A	143.224382	LAV35-40063K	143.233042	LAV30-30510K
143.204022	ECV100-145008A	143.216012	V70-125141	143.224392	LAV35-40139K	143.234022	LAV35-40718K
143.204032	LAV35-40541H	143.216022	V70-125142	143.224402	LAV35-40699K	143.234032	LAV35-40719K
143.204042	LAV35-40531H	143.216042	V60-70209G	143.224412	LAV35-40649K	143.234042	LAV35-40720K
143.204052	LAV35-40544H	143.216052	V60-70062G	143.224422	LAV35-40058K	143.234052	LAV35-40721K
143.204062	ECV100-145005A	143.216062	V60-70212G	143.224432	ECV100-145034A	143.234062	ECV100-145035A
143.204072	LAV35-40532H	143.216092	V70-125150	143.225012	ECV120-152001	143.234072	ECV100-145036A
143.204082	LAV35-40545H	143.216122	V60-70188G	143.225022	ECV120-152002	143.234082	ECV100-145037A
143.204092	LAV35-40168H	143.216132	VM80-150001	143.225032	V50-60153H	143.234092	ECV100-145038A
143.204102	ECV100-145004A	143.216142	V60-70222G	143.225042	V50-60147H	143.234102	LAV35-40728K
143.204132	ECV100-145010A	143.216152	VM80-150002	143.225052	V50-60208H	143.234112	LAV35-40735K
143.204162	LAV35-40559H	143.216162	VM80-150003	143.225062	ECV120-152003	143.234122	LAV35-40736K
143.204172	LAV35-40568H	143.216172	VM80-150004	143.225072	ECV120-152004	143.234132	LAV35-40737K
143.204182	LAV35-40571H	143.216182	V60-70223G	143.225082	V50-60212H	143.234142	LAV35-40738K
143.204202	ECV100-145013A	143.217012	ECV105-147012	143.225092	V50-60029H	143.234162	LAV35-40741K
143.206012	V60-70209G	143.217022	ECV105-147013	143.225102	V50-60030H	143.234182	ECV100-145045A
143.206022	V70-125120	143.217032	ECV105-147014	143.226012	V60-70212H	143.234192	LAV35-40750K
143.206032	V60-70212G	143.217042	LAV40-50254C	143.226022	V70-125083A	143.234202	LAV35-40751K
143.207012	LAV40-50254B	143.217062	LAV40-50207C	143.226032	V60-70223H	143.234212	ECV100-145039A
143.207022	LAV40-50205B	143.217072	LAV40-50201C	143.226042	V60-70222H	143.234222	ECV100-145040A
143.207032	LAV40-50207B	143.217092	ECV105-147015	143.226052	V60-70116H	143.234232	ECV100-145041A
143.207042	LAV40-50254B	143.217102	LAV40-50217C	143.226062	V70-125082A	143.234242	LAV35-40756K
143.207052	LAV40-50201B	143.223012	LAV30-30488K	143.226072	V70-125163	143.234252	LAV35-40611K
143.207062	ECV105-147008	143.223022	LAV30-30287K	143.226082	V70-125164	143.234262	LAV35-40772K
143.207072	LAV40-50270B	143.223032	LAV30-30489K	143.226092	VM80-150009	143.235012	ECV120-152005
143.207082	ECV105-147009	143.223042	LAV30-30105K	143.226102	VM80-150010	143.235022	ECV120-152006
143.213012	LAV30-30468H	143.223052	LAV30-30496K	143.226112	VM80-150011	143.235032	LAV50-62002
143.213022	LAV30-30287J	143.224012	LAV35-40650K	143.226122	VM80-150012	143.235042	ECV120-152007
143.214012	LAV35-40589J	143.224022	LAV35-40651K	143.226132	V60-70209H	143.235052	ECV120-152008
143.214022	LAV35-40590J	143.224032	ECV100-145024A	143.226142	V70-125120A	143.235062	V50-60217H
143.214032	LAV35-40591H	143.224062	LAV35-40654K	143.226152	V60-70118H	143.235072	LAV50-62010
143.214042	ECV100-145015A	143.224092	LAV35-40657K	143.226162	V60-70200H	143.236012	V60-70244H
143.214052	ECV100-145016A	143.224112	LAV35-40559K	143.226182	V60-70117H	143.236022	VM80-150028
143.214062	ECV100-145017A	143.224122	LAV35-40626K	143.226192	VM80-150008	143.236032	VM80-150029
143.214072	ECV100-145018A	143.224132	LAV35-40591K	143.226202	V70-125161	143.236052	V60-70253H
143.214082	LAV35-40559J	143.224142	LAV30-30460K	143.226212	V70-125162	143.236062	VM80-150038
143.214092	LAV35-40355J	143.224162	LAV35-40355K	143.226222	V60-70062H	143.236072	VM80-150039
143.214102	LAV35-40254J	143.224182	LAV35-40662K	143.226232	V60-70228H	143.236082	V60-70257H
143.214112	LAV35-40541J	143.224192	LAV35-40541K	143.226242	V60-70231H	143.236092	V70-125184
143.214122	LAV35-40442J	143.224222	LAV35-40675K	143.226262	V60-70234H	143.236102	V60-70260H
143.214132	LAV35-40463J	143.224232	ECV100-145028A	143.226272	V70-125170	143.236112	V60-70261H
143.214192	LAV35-40383J	143.224242	ECV100-145029A	143.226282	V70-125174	143.236122	V70-125185
143.214212	LAV35-40599J	143.224252	LAV35-40599K	143.226292	VM80-150016	143.236132	V60-70259H
143.214222	LAV35-40598J	143.224262	LAV35-40676K	143.226302	V70-125176	143.236142	VM80-150047
143.214232	LAV35-40597J	143.224272	LAV35-40677K	143.226312	VM80-150017	143.236152	V60-70266H
143.214242	LAV35-40319J	143.224282	LAV35-40678K	143.226322	V60-70235H	143.236162	V70-125174A
143.214252	LAV35-40611J	143.224292	ECV100-145030A	143.226332	V60-70239H	143.236172	V70-125176A
143.214262	ECV100-145019A	143.224302	ECV100-145031A	143.226342	V70-125178	143.236222	VM80-150028
143.214272	ECV100-145021A	143.224312	LAV35-40463K	143.226352	VM80-150025	143.237012	ECV110-151005
143.214282	ECV100-145020A	143.224322	LAV35-40442K	143.227012	ECV110-151001	143.237022	ECV110-151006
143.214292	LAV35-40618J	143.224332	LAV35-40687K	143.227022	ECV110-151002	143.237032	ECV105-147016
143.214302	LAV35-40626J	143.224342	LAV35-40688K	143.227062	ECV110-151003	143.237042	LAV40-50336C
143.214312	ECV100-145022A	143.224352	ECV100-145032A	143.227072	ECV110-151004	143.243012	LAV30-30523K

# SEARS CRAFTSMAN CROSS REFERENCE CHARTS

Craftsman Tecumseh	
143.243022	LAV30-30524K
143.243042	LAV30-30527K
143.243052	LAV30-30282K
143.243062	LAV30-30533K
143.243072	LAV30-30534K
143.243082	LAV30-30535K
143.244012	LAV35-40773K
143.244022	LAV35-40775K
143.244032	LAV35-40774K
143.244032	LAV35-40774K
143.244042	ECV100-145046A
143.244052	ECV100-145047A
143.244062	ECV100-145048A
143.244062	ECV100-145048A
143.244072	LAV35-40777K
143.244082	LAV35-40789K
143.244092	LAV35-40661K
143.244102	LAV35-40791K
143.244112	LAV35-40792K
143.244122	ECV100-145049A
143.244122	ECV100-145049A
143.244132	ECV100-145050A
143.244142	ECV100-145051A
143.244142	ECV100-145051A
143.244202	LAV35-40796K
143.244212	ECV100-145057A
143.244222	LAV35-40797K
143.244232	LAV35-40798K
143.244242	ECV100-145058A
143.244252	ECV100-145059A
143.244262	LAV35-40799K
143.244272	LAV35-40801K
143.244282	LAV35-40802K
143.244292	ECV100-145060A
143.244302	ECV100-145054A
143.244312	ECV100-145053A
143.244322	ECV100-145052A
143.244332	ECV100-145061A
143.245012	LAV50-62012
143.245012	LAV50-62012
143.245042	V50-60220H
143.245052	ECV120-152019
143.245062	ECV120-152020
143.245072	ECV120-152015
143.245082	ECV120-152016
143.245092	LAV50-62015
143.245102	ECV120-152013
143.245112	ECV120-152014
143.245122	ECV120-152017
143.245132	ECV120-152018
143.245142	LAV50-62018
143.245152	LAV50-62019
143.245162	ECV120-152021
143.245162	ECV120-152021
143.245172	LAV50-62023

Craftsman Tecumseh	
143.245182	LAV50-62024
143.245192	ECV120-152022
143.246012	V60-70268H
143.246022	VM80-150052A
143.246032	VM80-150053A
143.246032	VM80-150053A
143.246042	V60-70272H
143.246052	V70-125187A
143.246052	V70-125187A
143.246062	V70-125188A
143.246062	V70-125188A
143.246072	V70-125189A
143.246072	V70-125189A
143.246082	VM80-150054A
143.246092	VM80-150028A
143.246102	V70-125083A
143.246112	V70-125164A
143.246122	VM80-150038A
143.246132	V70-125120A
143.246142	V70-125162A
143.246152	VM80-150058A
143.246162	VM80-150039A
143.246172	VM80-150065A
143.246182	VM80-150063A
143.246192	VM80-150064A
143.246202	VM80-150062A
143.246212	VM80-150029A
143.246222	V70-125178A
143.246232	VM80-150059A
143.246242	V70-125163A
143.246252	VM80-150016A
143.246262	V70-125197A
143.246272	VM80-150069A
143.246282	VM80-150066A
143.246292	VM80-150067A
143.246302	V70-125184A
143.246312	V70-125200A
143.246322	VM80-150070A
143.246332	VM80-150071A
143.246342	V70-125201A
143.246352	V60-70281H
143.246362	VM100-157001
143.246372	VM80-150075A
143.246382	VM100-157002
143.246392	V60-70284H
143.249012	VH100-149018
143.249012	VH100-149018
143.249022	VH100-149020
143.254012	LAV35-40810K
143.254022	LAV35-40818K
143.254032	LAV35-40819K
143.254042	LAV35-40820K
143.254052	LAV35-40821K
143.254062	ECV100-145069A
143.254072	LAV35-40811K

Craftsman Tecumseh	
143.254082	LAV35-40812K
143.254092	LAV35-40813K
143.254102	LAV35-40814K
143.254112	LAV35-40815K
143.254122	LAV35-40816K
143.254142	ECV100-145062A
143.254152	ECV100-145063A
143.254162	ECV100-145064A
143.254172	ECV100-145065A
143.254182	ECV100-145066A
143.254192	ECV100-145067A
143.254202	ECV100-145068A
143.254212	LAV35-40829K
143.254222	LAV35-40839K
143.254232	ECV100-145070A
143.254232	ECV100-145070A
143.254242	ECV100-145071A
143.254252	ECV100-145072A
143.254262	ECV100-145073A
143.254272	ECV100-145074A
143.254282	ECV100-145075A
143.254292	ECV100-145076A
143.254302	LAV35-40846K
143.254312	LAV35-40847K
143.254322	ECV100-145077A
143.254322	ECV100-145077A
143.254332	LAV35-40857K
143.254342	ECV100-145078A
143.254352	ECV100-145079A
143.254362	LAV35-40858K
143.254372	ECV100-145080A
143.254382	ECV100-145081A
143.254392	LAV35-40859K
143.254402	ECV100-145084A
143.254412	ECV100-145083A
143.254422	ECV100-145082A
143.254432	LAV35-40872K
143.254442	ECV100-145085A
143.254452	LAV35-40875K
143.254462	ECV100-145086A
143.254472	LAV35-40877K
143.254482	LAV35-40879K
143.254492	ECV100-145087A
143.254502	LAV35-40881K
143.254512	LAV35-40882K
143.254522	LAV35-40883K
143.254532	LAV35-40884K
143.255012	LAV50-62027
143.255022	LAV50-62029
143.255042	LAV50-62037
143.255052	LAV50-62039A
143.255062	LAV50-62043
143.255072	LAV50-62043A
143.255082	LAV50-62015A
143.255092	LAV50-62037A

Craftsman Tecumseh	
143.255102	LAV50-62029A
143.255112	LAV50-62039A
143.256012	VM80-150076A
143.256022	V60-70291H
143.256032	V70-125202A
143.256042	VM80-150080A
143.256052	V60-70301H
143.256062	VM80-150083A
143.256072	VM80-150017A
143.256082	V60-70303H
143.256092	V60-70304H
143.256102	V70-125185A
143.256112	VM80-150047A
143.256122	V60-70314H
143.256132	V70-125206A
143.257012	LAV40-50358D
143.257022	LAV40-50358C
143.257032	LAV40-50366D
143.257042	LAV40-50201D
143.257052	LAV40-50369D
143.257062	LAV40-50369E
143.257072	LAV40-50366E
143.259012	VH100-149018A
143.259022	VH100-149020A
143.264012	LAV35-40888K
143.264022	LAV35-40889K
143.264022	LAV35-40898K
143.264032	LAV35-40890K
143.264042	LAV35-40891K
143.264052	ECV100-145088A
143.264062	ECV100-145089A
143.264072	ECV100-145090A
143.264082	ECV100-145091A
143.264092	LAV35-40893K
143.264102	ECV100-145092A
143.264232	LAV35-40896K
143.264242	LAV35-40897K
143.264252	LAV35-40898K
143.264262	LAV35-40899K
143.264272	LAV35-40900K
143.264282	LAV35-40902K
143.264292	LAV35-40906K
143.264302	LAV35-40905K
143.264312	LAV35-40911K
143.264322	LAV35-40912K
143.264332	LAV35-40913K
143.264342	LAV35-40914K
143.264352	ECV100-145093A
143.264362	ECV100-145094A
143.264372	ECV100-145095A
143.264382	LAV35-40916K
143.264392	ECV100-145096A
143.264402	ECV100-145097A
143.264412	ECV100-145098A
143.264422	LAV35-40917K

# SEARS CRAFTSMAN CROSS REFERENCE CHARTS

Craftsman Tecumseh		Craftsman Tecumseh		Craftsman Tecumseh		Craftsman Tecumseh	
143.264432	ECV100-145099A	143.266182	VM80-150062C	143.274202	ECV100-145117A	143.274762	ECV100-145139B
143.264452	ECV100-145101A	143.266202	VM80-150058C	143.274212	ECV100-145117B	143.274772	LAV35-40924L
143.264462	ECV100-145102A	143.266212	VM80-150064C	143.274222	ECV100-145118A	143.274782	ECV100-145107B
143.264472	LAV35-40922K	143.266222	VM80-150016C	143.274232	ECV100-145118B	143.274792	LAV35-40774L
143.264482	ECV100-145103A	143.266232	VM80-150065C	143.274242	ECV100-145098B	143.275012	LAV50-62059B
143.264492	LAV35-40923K	143.266242	VM80-150017C	143.274252	LAV35-40751L	143.275012	LAV50-62059B
143.264502	LAV35-40924K	143.266252	V60-70234J	143.274262	ECV100-145109B	143.275022	LAV50-62060B
143.264512	ECV100-145104A	143.266262	VM80-150083C	143.274272	LAV35-40948L	143.275042	LAV50-62018B
143.264522	LAV35-40927K	143.266272	V70-125202C	143.274282	LAV35-40949L	143.275052	LAV50-62063B
143.264542	LAV35-40930K	143.266282	V70-125206C	143.274292	LAV35-40950L	143.275062	LAV50-62065B
143.264562	ECV100-145106A	143.266302	V70-125210C	143.274302	LAV35-40951L	143.275072	LAV50-62019B
143.264572	ECV100-145107A	143.266312	VM80-150096C	143.274312	LAV35-40952L	143.275082	LAV50-62066B
143.264582	ECV100-145108A	143.266322	VM80-150097C	143.274322	LAV35-40953L	143.276012	VM80-150058D
143.264592	ECV100-145109A	143.266332	V70-125211C	143.274332	LAV35-40954L	143.276022	VM100-157009A
143.264602	ECV100-145110A	143.266342	VM80-150098C	143.274342	ECV100-145119B	143.276032	VM80-150016D
143.264612	ECV100-145111A	143.266352	V70-125213C	143.274352	LAV35-40955L	143.276042	VM80-150067D
143.264622	ECV100-145112A	143.266362	VM80-150066C	143.274362	ECV100-145120B	143.276052	VM100-157002A
143.264632	ECV100-145113A	143.266372	V60-70284J	143.274372	LAV35-40956L	143.276062	VM80-150102D
143.264642	ECV100-145114A	143.266382	V60-70281J	143.274382	ECV100-145121B	143.276072	VM80-150103D
143.264652	ECV100-145115A	143.266392	V60-70303J	143.274392	ECV100-145122B	143.276082	VM80-150104D
143.264662	LAV35-40926K	143.266402	V60-70304J	143.274402	ECV100-145123B	143.276092	V70-125220C
143.264672	ECV100-145116A	143.266412	V60-70231J	143.274412	ECV100-145124B	143.276092	V70-125220C
143.264682	LAV35-40933K	143.266422	VM80-150063C	143.274422	ECV100-145087B	143.276102	V70-125221C
143.265012	LAV50-62015A	143.266432	V60-70327J	143.274432	ECV100-145095B	143.276102	V70-125221C
143.265032	LAV50-62047A	143.266442	V60-70118J	143.274442	ECV100-145106B	143.276112	V70-125222C
143.265042	LAV50-62030A	143.266452	V60-70117J	143.274452	ECV100-145111B	143.276122	VM80-150106D
143.265052	LAV50-62049A	143.266462	VM100-157007	143.274462	ECV100-145116B	143.276122	VM80-150106D
143.265062	LAV50-62039B	143.266472	VM100-157008A	143.274472	LAV35-40957L	143.276132	VM100-157010A
143.265072	LAV50-62047B	143.266482	VM80-150100D	143.274482	ECV100-145114B	143.276132	VM100-157010A
143.265082	LAV50-62015B	143.266492	VM100-157009	143.274492	LAV35-40858L	143.276142	VM80-150017D
143.265092	LAV50-62029B	143.267012	LAV40-50368E	143.274502	ECV100-145125B	143.276152	VM80-150069D
143.265112	LAV50-62037B	143.267022	LAV40-50368F	143.274512	ECV100-145126B	143.276162	VM80-150098D
143.265122	LAV50-62043B	143.267032	LAV40-50366F	143.274522	ECV100-145127B	143.276172	V70-125224C
143.265132	LAV50-62050B	143.267042	LAV40-50369F	143.274542	ECV100-145075B	143.276172	V70-125224C
143.265142	LAV50-62051B	143.269012	VH100-149026A	143.274552	LAV35-40961L	143.276182	V60-70223J
143.265152	LAV50-62052B	143.269022	VH100-149027A	143.274562	ECV100-145129B	143.276192	V70-125225C
143.265162	LAV50-62053B	143.269032	VH100-149028B	143.274572	ECV100-145130B	143.276202	V60-70333J
143.265172	LAV50-62024B	143.274012	ECV100-145092B	143.274582	ECV100-145131B	143.276212	V70-125226C
143.265192	LAV50-62049B	143.274022	ECV100-145112B	143.274592	LAV35-40962L	143.276222	V70-125227C
143.266012	VM80-150029C	143.274032	ECV100-145096B	143.274602	ECV100-145110B	143.276232	VM80-150107D
143.266022	VM80-150076C	143.274042	ECV100-145093B	143.274612	ECV100-145115B	143.276242	VM80-150080D
143.266032	V60-70259J	143.274052	ECV100-145094B	143.274622	ECV100-145108B	143.276252	V60-70339J
143.266032	V60-70259J	143.274062	ECV100-145097B	143.274632	ECV100-145113B	143.276262	VM80-150110D
143.266042	V70-125162C	143.274072	ECV100-145058B	143.274642	LAV35-40626L	143.276272	VM80-150066D
143.266052	V70-125176C	143.274092	LAV35-40938L	143.274652	ECV100-145132B	143.276282	V70-125232C
143.266062	V60-70200J	143.274102	LAV35-40939L	143.274662	LAV35-40967L	143.276292	VM80-150039D
143.266082	V60-70301J	143.274112	LAV35-40940L	143.274672	ECV100-145133B	143.276302	VM80-150064D
143.266092	V70-125197C	143.274122	LAV35-40941L	143.274682	LAV35-40882L	143.276322	V70-125233C
143.266102	V70-125185C	143.274132	LAV35-40942L	143.274692	ECV100-145062B	143.276332	V70-125234C
143.266112	V70-125201C	143.274142	ECV100-145086B	143.274702	LAV35-40926L	143.276342	V70-125235C
143.266122	V70-125083C	143.274152	ECV100-145092B	143.274712	ECV100-145134B	143.276352	VM80-150114D
143.266132	V70-125174C	143.274162	LAV35-40899L	143.274722	ECV100-145135B	143.276362	VM100-157013A
143.266142	VM80-150080C	143.274172	LAV35-40943L	143.274732	ECV100-145136B	143.276372	V70-125236C
143.266162	VM80-150039C	143.274182	LAV35-40944L	143.274742	ECV100-145137B	143.276382	V70-125237C
143.266172	VM80-150067C	143.274192	ECV100-145090B	143.274752	ECV100-145138B	143.276392	V70-125238C



# SEARS CRAFTSMAN CROSS REFERENCE CHARTS

Craftsman Tecumseh	
143.276402	VM100-157014A
143.276412	V60-70351J
143.276422	V70-125240C
143.276432	VM80-150062D
143.276442	VM80-150063D
143.276452	VM80-150065D
143.276462	VM80-150115D
143.276472	VM80-150116D
143.276482	VM100-157015A
143.277012	LAV40-50387D
143.277022	LAV40-50382D
143.279012	VH100-149020B
143.284012	LAV35-40969M
143.284022	LAV35-40970M
143.284032	LAV35-40971M
143.284042	ECV100-145140C
143.284052	LAV35-40972M
143.284062	LAV35-40973M
143.284072	ECV100-145141C
143.284082	LAV35-40974M
143.284092	LAV35-40975M
143.284102	ECV100-145142C
143.284112	LAV35-40977M
143.284142	LAV35-40980M
143.284152	LAV35-40981M
143.284162	LAV35-40982M
143.284182	LAV35-40986M
143.284212	ECV100-145143C
143.284222	LAV30-30538M
143.284232	TVS90-43001
143.284242	LAV35-40990M
143.284252	LAV35-40991M
143.284262	ECV100-145144C
143.284272	TVS90-43002
143.284282	LAV35-40992M
143.284292	LAV35-40993M
143.284302	LAV35-40994M
143.284312	LAV35-40882M
143.284322	LAV35-40858M
143.284332	ECV100-145058C
143.284342	ECV100-145093C
143.284352	ECV100-145109C
143.284362	ECV100-145111C
143.284372	ECV100-145085C
143.284382	ECV100-145112C
143.284392	LAV35-40751M
143.284402	LAV35-40995M
143.284412	LAV35-40996M
143.284422	LAV35-40962M
143.284432	ECV100-145135C
143.284442	LAV30-30539M
143.284452	ECV100-145139C
143.284462	ECV100-145145C
143.284472	ECV100-145134C
143.284482	LAV35-40961M

Craftsman Tecumseh	
143.284492	ECV100-145126C
143.284502	ECV100-145146D
143.284512	LAV35-40997M
143.284522	LAV35-40998M
143.284532	ECV100-145147C
143.284542	LAV35-40999M
143.284552	LAV35-41000M
143.284562	LAV35-41001M
143.284572	LAV35-41002M
143.284582	ECV100-145148C
143.284592	LAV35-41003M
143.284602	ECV100-145149C
143.284612	ECV100-145150C
143.284622	ECV100-145131C
143.284632	LAV35-41006M
143.284642	ECV100-145087C
143.284652	LAV35-40923M
143.284662	LAV35-40938M
143.284672	ECV100-145075C
143.284682	ECV100-145106C
143.284692	ECV100-145110C
143.284702	ECV100-145116C
143.284712	LAV35-40926M
143.284722	LAV35-40917M
143.284732	LAV35-40859M
143.284742	ECV100-145151C
143.284752	ECV100-145108C
143.284762	LAV35-40463M
143.284772	ECV100-145115C
143.284782	ECV100-145107C
143.285012	LAV50-62050C
143.285022	LAV50-62024C
143.285032	LAV50-62066C
143.285042	LAV50-62049C
143.285052	LAV50-62067C
143.285062	LAV50-62065C
143.285072	LAV50-62037C
143.285082	LAV50-62063C
143.285092	LAV50-62068C
143.285102	LAV50-62043C
143.286012	V50-60233J
143.286022	V60-70352J
143.286032	V70-125241C
143.286042	VM100-157016A
143.286052	VM100-157018A
143.286062	V70-125243C
143.286072	VM80-150080E
143.286082	VM80-150098E
143.286092	VM80-150039E
143.286102	VM100-157019A
143.286112	VM80-150117E
143.286122	VM80-150118E
143.286132	V70-125245C
143.286142	VM80-150119E
143.286152	VM80-150115E

Craftsman Tecumseh	
143.286162	VM80-150116E
143.286172	VM80-150016E
143.286182	VM80-150121E
143.286192	VM100-157024A
143.286202	VM80-150122E
143.286212	VM100-157025A
143.286222	V70-125246C
143.286232	VM100-157026A
143.286242	VM100-157027A
143.286252	V70-125247C
143.286262	VM100-157028A
143.286272	VM100-157029A
143.286282	V70-125248C
143.286292	VM100-157030A
143.286312	VM80-150063E
143.286322	V70-125250C
143.286332	V70-125251C
143.286342	V60-70357J
143.286352	VM80-150114E
143.286362	VM100-157018B
143.287012	LAV40-50389E
143.287022	LAV40-50391D
143.287032	LAV40-50392E
143.293012	TVS75-33002A
143.294012	TVS90-43020A
143.294022	TVS90-43021A
143.294032	TVS90-43022A
143.294042	TVS90-43023A
143.294052	TVS90-43024A
143.294062	TVS90-43025A
143.294072	TVS90-43026A
143.294092	TVS90-43028A
143.294102	TVS90-43029A
143.294112	TVS90-43030A
143.294122	TVS90-43031A
143.294132	TVS90-43032A
143.294142	ECV100-145155D
143.294152	ECV100-145156D
143.294162	ECV100-145157D
143.294172	ECV100-145158D
143.294182	TVS90-43033A
143.294192	TVS90-43017A
143.294202	TVS90-43018A
143.294212	TVS90-43019A
143.294222	ECV100-145058D
143.294232	ECV100-145085D
143.294242	TVS90-43036A
143.294242	TVS90-43036A
143.294252	TVS90-43037A
143.294252	TVS90-43037A
143.294262	TVS90-43038A
143.294262	TVS90-43038A
143.294272	TVS90-43039A
143.294272	TVS90-43039A
143.294282	TVS90-43040A

Craftsman Tecumseh	
143.294282	TVS90-43040A
143.294292	TVS90-43041A
143.294292	TVS90-43041A
143.294302	TVS90-43042A
143.294302	TVS90-43042A
143.294312	TVS90-43043A
143.294312	TVS90-43043A
143.294322	TVS90-43044A
143.294322	TVS90-43044A
143.294332	ECV100-145159D
143.294342	TVS90-43045A
143.294352	ECV100-145110D
143.294362	ECV100-145112D
143.294372	ECV100-145116D
143.294382	ECV100-145109D
143.294392	ECV100-145106D
143.294402	ECV100-145111D
143.294412	ECV100-145108D
143.294422	ECV100-145151D
143.294432	TVS90-43055A
143.294442	TVS90-43057A
143.294452	TVS90-43058A
143.294462	TVS90-43059A
143.294472	ECV100-145152D
143.294482	ECV100-145148D
143.294492	TVS90-43061A
143.294502	TVS90-43065A
143.294512	TVS90-43066A
143.294522	TVS90-43067A
143.294532	TVS90-43068A
143.294542	ECV100-145075D
143.294552	TVS105-53012A
143.294562	TVS105-53013A
143.294572	ECV100-145115D
143.294582	ECV100-145139D
143.294592	ECV100-145147D
143.294602	TVS90-43071A
143.294612	TVS90-43072A
143.294622	TVS105-53017A
143.294632	TVS105-53018A
143.294642	TVS105-53016A
143.294652	TVS90-43073A
143.294662	ECV100-145131D
143.294672	ECV100-145107D
143.294682	ECV100-145160D
143.294692	TVS90-43088A
143.294702	TVS105-53025A
143.294712	TVS90-43092A
143.294722	ECV100-145161D
143.294732	ECV100-145149D
143.294742	ECV100-145168D
143.295012	LAV50-62071C
143.295022	LAV50-62072C
143.295032	LAV50-62053C
143.295042	ECV120-152023A

# SEARS CRAFTSMAN CROSS REFERENCE CHARTS

Craftsman Tecumseh		Craftsman Tecumseh		Craftsman Tecumseh		Craftsman Tecumseh	
143.296012	VM80-150080F	143.304322	ECV100-145182D	143.314402	TVS90-43068B	143.316042	VM70-127008B
143.296022	VM100-157028B	143.304332	ECV100-145183D	143.314412	TVS90-43108B	143.316052	VM80-150116G
143.296032	VM80-150126F	143.304342	TVS90-43121A	143.314422	ECV100-145172E	143.316062	VM80-150134G
143.296042	VM100-157034B	143.304352	ECV100-145137D	143.314432	LAV35-40917N	143.316082	VM80-150121G
143.296052	VM80-150115F	143.304362	LAV35-40906M	143.314442	ECV100-145183E	143.316092	VM100-157034C
143.296062	VM80-150116F	143.305012	ECV120-152024A	143.314452	ECV100-145177E	143.316102	VM100-150080G
143.296072	VM100-157016B	143.305022	ECV120-152025A	143.314462	ECV100-145176E	143.316112	VM80-150114G
143.296082	VM80-150017F	143.305032	ECV120-152026A	143.314472	ECV100-145181E	143.316122	VM100-157027C
143.296092	VM80-150069F	143.305042	LAV50-62073C	143.314482	TVS90-43150B	143.316132	VM100-157035C
143.296102	VM100-157014B	143.305052	ECV120-152027A	143.314502	ECV100-145190E	143.316142	VM100-157028C
143.296112	VM100-157025B	143.305062	LAV50-62074C	143.314512	ECV100-145191E	143.316152	VM80-150121G
143.296122	VM100-157026B	143.306012	VM80-150134F	143.314522	ECV100-145192E	143.316162	VM100-157026C
143.296132	VM100-157027B	143.306022	VM100-157042B	143.314532	LAV35-41003N	143.316172	VM70-127009B
143.296142	VM80-150122F	143.306032	VM100-157015B	143.314542	TVS90-43066B	143.316182	VM80-150071G
143.296152	VM80-150118F	143.306042	VM100-157047B	143.314552	TVS90-43088B	143.316192	VM100-157047C
143.296162	VM80-150064F	143.313012	TVS75-33010B	143.314562	TVS90-43116B	143.316202	VM100-157052C
143.296172	VM80-150065F	143.313022	TVS75-33012B	143.314572	TVS90-43067B	143.316222	VM80-150016G
143.296182	VM80-150039F	143.314012	ECV100-145184E	143.314582	ECV100-145168E	143.316232	VM80-150017G
143.296192	VM80-150114F	143.314022	ECV100-145185E	143.314592	ECV100-145131E	143.316242	VM80-150065G
143.296202	VM100-157035B	143.314032	TVS90-43020B	143.314602	ECV100-145085E	143.316252	VM80-150039G
143.296212	VM100-157030B	143.314042	TVS90-43022B	143.314612	ECV100-145110E	143.316262	VM100-157014C
143.296222	VM80-150121F	143.314052	TVS90-43023B	143.314622	ECV100-145115E	143.316272	VM100-157025C
143.296232	VM100-157024B	143.314062	TVS90-43025B	143.314632	ECV100-145106E	143.316282	VM80-150122G
143.296242	VM80-150016F	143.314072	TVS90-43032B	143.314642	ECV100-145111E	143.316292	VM80-150119G
143.296252	VM80-150062F	143.314082	TVS90-43033B	143.314652	ECV100-145109E	143.316302	VM100-157018C
143.296262	VM80-150071F	143.314092	TVS90-43094B	143.314662	ECV100-145108E	143.316312	VM80-150063G
143.297012	TVS105-53006A	143.314102	TVS90-43095B	143.314672	ECV100-145107E	143.321012	TVS75-33010C
143.304012	TVS90-43094A	143.314112	TVS90-43096B	143.314682	ECV100-145112E	143.321022	TVS75-33012C
143.304032	ECV100-145163D	143.314122	ECV100-145163E	143.314692	ECV100-145116E	143.322012	VH100-149020C
143.304042	ECV100-145164D	143.314132	ECV100-145164E	143.314702	LAV35-40906N	143.324012	ECV100-145193E
143.304052	TVS90-43095A	143.314142	ECV100-145169E	143.314722	TVS90-43139B	143.324022	ECV100-145194E
143.304072	ECV100-145166D	143.314152	ECV100-145170E	143.314732	TVS90-43140B	143.324042	ECV100-145195E
143.304092	TVS90-43096A	143.314162	ECV100-145180E	143.314742	TVS90-43141B	143.324052	TVS90-43020C
143.304102	ECV100-145169D	143.314172	ECV100-145171E	143.314752	TVS90-43142B	143.324062	ECV100-145196E
143.304112	ECV100-145170D	143.314182	TVS90-43121B	143.314762	TVS90-43143B	143.324072	ECV100-145200E
143.304122	ECV100-145171D	143.314192	ECV100-145186E	143.314772	TVS90-43144B	143.324082	ECV100-145197E
143.304132	ECV100-145174D	143.314202	ECV100-145139E	143.314782	ECV100-145166E	143.324102	ECV100-145199E
143.304142	ECV100-145172D	143.314212	ECV100-145147E	143.314792	TVS90-43102A	143.324112	TVS90-43116C
143.304152	ECV100-145173D	143.314222	ECV100-145148E	143.314802	ECV100-145178E	143.324122	TVS90-43067C
143.304162	ECV100-145175D	143.314232	ECV100-145173E	143.314812	ECV100-145137E	143.324132	ECV100-145201E
143.304172	ECV100-145176D	143.314242	ECV100-145174E	143.315012	ECV100-152024B	143.324142	TVS90-43139C
143.304182	ECV100-145177D	143.314252	ECV100-145182E	143.315022	LAV50-62071D	143.324152	TVS90-43121C
143.304192	ECV100-145178D	143.314262	TVS90-43059B	143.315032	TVS105-53018B	143.324162	TVS90-43025C
143.304202	TVS90-43107A	143.314272	TVS90-43061B	143.315042	TVS105-53025B	143.324172	TVS90-43142C
143.304212	TVS90-43108A	143.314282	TVS90-43107B	143.315052	ECV120-152027B	143.324182	TVXL105-54009A
143.304222	TVS90-43109A	143.314292	TVS90-43019B	143.315062	LAV50-62065D	143.324192	TVS90-43144C
143.304232	TVS90-43110A	143.314302	TVS90-43134B	143.315072	TVS105-53006B	143.324202	ECV100-145202E
143.304242	TVS90-43111A	143.314312	ECV100-145179E	143.315082	ECV120-152026B	143.324212	ECV100-145203E
143.304252	TVS90-43112A	143.314322	TVS90-43040B	143.315092	LAV50-62037D	143.324222	ECV100-145204E
143.304262	TVS90-43113A	143.314332	TVS90-43112B	143.315102	LAV50-62053D	143.324232	ECV100-145205E
143.304272	TVS90-43115A	143.314342	TVS90-43111B	143.315112	LAV50-62050D	143.326012	TVM195-150016H
143.304282	ECV100-145179D	143.314362	TVS90-43145B	143.315122	LAV50-62067D	143.326022	TVM195-150062H
143.304292	ECV100-145180D	143.314372	ECV100-145187E	143.315132	ECV120-152025B	143.326032	TVM195-150063H
143.304302	TVS90-43116A	143.314382	TVS90-43044B	143.316022	VM80-150063F	143.326042	TVM195-150114H
143.304312	ECV100-145180D	143.314392	ECV100-145188E	143.316032	V70-125255C	143.326052	TVM195-150122H

# SEARS CRAFTSMAN CROSS REFERENCE CHARTS

Craftsman Tecumseh	
143.326062	TVM195-150017H
143.326072	TVM195-150065H
143.326082	TVM195-150071H
143.326092	TVM195-150039H
143.326102	TVM195-150080H
143.326112	TVM195-150064H
143.326122	TVM220-157028D
143.326132	TVM220-157035D
143.326142	TVM220-157014D
143.326152	TVM220-157026D
143.326162	TVM220-157047D
143.326172	TVM220-157027D
143.326182	TVM220-157025D
143.326192	V70-125250D
143.326202	V70-125232D
143.326212	V70-125247D
143.326222	V70-125234D
143.326232	V70-125237D
143.326242	V70-125185D
143.326252	V70-125236D
143.326262	V70-125251D
143.326272	V70-125246D
143.326282	TVM140-70281K
143.326292	TVM140-70259K
143.326312	V70-125255D
143.326322	TVM170-127008C
143.326332	TVM195-150116H
143.326342	TVM195-150134H
143.326372	TVM170-127009C
143.331012	TVS75-33025D
143.331022	TVS75-33012D
143.334022	TVS90-43173D
143.334032	TVS90-43174D
143.334042	ECV100-145207F
143.334052	TVXL105-54012B
143.334062	TVS90-43175D
143.334072	TVS90-43176D
143.334082	ECV100-145208E
143.334102	ECV100-145210F
143.334112	TVS90-43177D
143.334122	TVS90-43178D
143.334132	ECV100-145211F
143.334142	TVS90-43068D
143.334152	TVS90-43019D
143.334162	TVS90-43145D
143.334172	ECV100-145200F
143.334182	ECV100-145213F
143.334192	LAV35-40917P
143.334202	TVS90-43116D
143.334212	ECV100-145214F
143.334222	ECV100-145215F
143.334232	ECV100-145217F
143.334242	ECV100-145216F
143.334252	ECV100-145218F
143.334262	TVS90-43139D

Craftsman Tecumseh	
143.334272	TVS90-43140D
143.334282	TVS90-43141D
143.334292	TVS90-43142D
143.334302	TVS90-43143D
143.334312	TVS90-43144D
143.334322	ECV100-145219F
143.334332	TVS90-43201D
143.334342	ECV100-145202F
143.334352	TVS90-43121D
143.334362	TVS90-43215D
143.334372	TVS90-43220D
143.334382	TVS90-43226D
143.335012	ECV120-152028C
143.335022	ECV120-152029C
143.335032	LAV50-62037E
143.335042	LAV50-62067E
143.335052	TVS120-63209A
143.335062	LAV50-62065E
143.335072	TVS120-63210A
143.336012	TVM140-70371K
143.336022	TVM220-157058D
143.336032	TVM220-157062D
143.336042	TVM220-157069D
143.341012	TVS75-33039D
143.344022	TVS90-43213D
143.344032	TVS90-43214D
143.344042	TVS90-43221D
143.344052	ECV100-145221F
143.344062	ECV100-145220F
143.344072	TVS90-43219D
143.344082	ECV100-145222F
143.344092	ECV100-145223F
143.344102	TVS90-43222D
143.344112	TVXL105-54017B
143.344122	ECV100-145224F
143.344132	ECV100-145225F
143.344142	TVS90-43230D
143.344152	ECV100-145226F
143.344162	TVS90-43250D
143.344172	ECV100-145227F
143.344182	TVS90-43252D
143.344192	TVS90-43253D
143.344202	TVS90-43254D
143.344212	TVS90-43255D
143.344222	TVS90-43256D
143.344232	ECV100-145228F
143.344242	ECV100-145229F
143.344252	ECV100-145230F
143.344262	ECV100-145231F
143.344272	ECV100-145232F
143.344282	ECV100-145233F
143.344292	ECV100-145234F
143.344302	ECV100-145235F
143.344312	ECV100-145236F
143.344322	ECV100-145237F

Craftsman Tecumseh	
143.344332	ECV100-145238F
143.344342	ECV100-145239F
143.344352	ECV100-145240F
143.344362	ECV100-145241F
143.344372	ECV100-145242F
143.344382	ECV100-145243F
143.344392	ECV100-145244F
143.344402	TVXL105-54020B
143.344412	TVXL105-54021B
143.344422	TVS90-43268D
143.344432	TVS90-43269D
143.344442	TVS105-53059D
143.344452	ECV100-145245F
143.344462	TVS105-53067D
143.344472	ECV100-145246F
143.345012	ECV120-152031C
143.345022	ECV120-152030C
143.345032	TVS120-63211A
143.345042	LAV50-62082E
143.345052	ECV120-152032C
143.345062	ECV120-152034C
143.346012	TVM220-157058E
143.346022	TVM220-157062E
143.346032	TVM170-127008D
143.346042	TVM195-150116J
143.346052	TVM195-150134J
143.346062	TVM220-157069E
143.346072	TVM220-157035E
143.346082	TVM170-127009D
143.346092	TVM195-150016J
143.346102	TVM195-150114J
143.346112	TVM195-150122J
143.346122	TVM195-150039J
143.346132	TVM195-150080J
143.346142	TVM220-157028E
143.346152	TVM220-157014E
143.346162	TVM220-157026E
143.346172	TVM220-157047E
143.346182	TVM220-157027E
143.346192	TVM220-157025E
143.346202	TVM125-60249K
143.351012	TVS75-33046D
143.351022	TVS75-33052D
143.354012	TVS90-43290D
143.354022	ECV100-145248F
143.354032	ECV100-145249F
143.354052	ECV100-145251F
143.354062	TVS90-43291D
143.354082	ECV100-145253F
143.354092	TVS90-43292D
143.354102	TVS90-43293D
143.354112	ECV100-145254F
143.354122	TVS90-43294D
143.354132	TVXL105-54024B
143.354142	TVS90-43295D

Craftsman Tecumseh	
143.354152	ECV100-145255F
143.354162	TVS90-43289D
143.354172	TVS90-43288D
143.354182	TVS90-43296D
143.354192	TVS90-43297D
143.354202	TVS90-43298D
143.354212	TVS90-43299D
143.354222	ECV100-145256F
143.354232	TVS90-43300D
143.354242	ECV100-145257F
143.354262	ECV100-145259F
143.354272	ECV100-145260F
143.354282	LAV35-40917R
143.354292	TVS90-43307D
143.354302	ECV100-145262F
143.354312	TVS90-43312D
143.354322	TVS90-43315D
143.354332	TVS90-43316D
143.354342	TVS90-43321D
143.354352	TVS90-43322D
143.354362	ECV100-145263F
143.354372	ECV100-145264F
143.354382	ECV100-145265F
143.354392	ECV100-145266F
143.354402	ECV100-145270F
143.354412	ECV100-145271F
143.354422	ECV100-145267F
143.354432	ECV100-145268F
143.354442	ECV100-145261F
143.354452	ECV100-145269F
143.354462	ECV100-145273F
143.354482	TVS105-53077D
143.354492	TVS105-53083D
143.354502	TVS105-53084D
143.355012	ECV100-145033C
143.355022	ECV120-152035C
143.355032	LAV50-62050F
143.356012	TVM220-157081F
143.356022	TVM125-60249L
143.356032	TVM195-150134K
143.356042	TVM220-157069F
143.356052	TVM195-150151K
143.356062	TVM125-60251L
143.356072	TVM195-150152K
143.356082	TVM220-157083F
143.356092	TVM220-157084F
143.356102	TVM170-127013E
143.356122	TVM195-150154K
143.356132	TVM195-150155K
143.356142	TVM195-150156K
143.356152	TVM195-150157K
143.356162	TVM220-157085F
143.356172	TVM220-157086F
143.356182	TVM220-157087F
143.356192	TVM220-157088F

# SEARS CRAFTSMAN CROSS REFERENCE CHARTS

Craftsman Tecumseh		Craftsman Tecumseh		Craftsman Tecumseh		Craftsman Tecumseh	
143.356202	TVM220-157089F	143.366102	TVM195-150152L	143.376042	TVM195-150164M	143.384562	ECV100-145320G
143.356212	TVM220-157090F	143.366112	TVM220-157083G	143.376052	TVM220-157115H	143.384572	TVS90-43415F
143.356222	TVM220-157091F	143.366122	TVM220-157084G	143.376062	TVM195-150151M	143.385012	ECV120-152041D
143.356232	TVM220-157093F	143.366132	TVM220-157097G	143.376092	TVM220-157083H	143.385022	ECV120-152042D
143.356252	TVM220-157097F	143.366152	TVM195-150163L	143.381012	TVS75-33061F	143.385032	ECV120-152036D
143.356362	TVM125-60251L	143.366172	TVM220-157108G	143.381022	TVS75-33059F	143.385042	LAV50-62037G
143.361012	TVS75-33054D	143.366182	TVM125-60254L	143.384012	TVS90-43379F	143.385052	LAV50-62082G
143.364012	TVS90-43333D	143.366192	TVM220-157106G	143.384022	TVS90-43380F	143.386022	TVM220-157120J
143.364022	ECV100-145274F	143.366222	TVM220-157110G	143.384032	TVS90-43381F	143.386042	TVM220-157122J
143.364032	ECV100-145275F	143.371012	TVS75-33056E	143.384042	TVS90-43382F	143.386052	TVM195-150152N
143.364042	ECV100-145276F	143.371022	TVS75-33057E	143.384052	TVS90-43383F	143.386062	TVM220-157083J
143.364052	ECV100-145277F	143.371032	TVS75-33059E	143.384062	TVS90-43384F	143.386072	TVM220-157084J
143.364062	ECV100-145278F	143.374012	TVS90-43352E	143.384072	TVS90-43385F	143.386082	TVM220-157097J
143.364072	ECV100-145279F	143.374022	TVS90-43353E	143.384082	TVS90-43386F	143.386122	TVM195-150151N
143.364082	TVS90-43334D	143.374032	TVS90-43354E	143.384092	ECV100-145313G	143.386132	TVM195-150164N
143.364092	ECV100-145280F	143.374052	TVS90-43356E	143.384102	ECV100-145314G	143.386142	TVM220-157115J
143.364102	TVS90-43335D	143.374062	TVS90-43357E	143.384112	ECV100-145315G	143.386172	TVM220-157126H
143.364112	TVS90-43336D	143.374072	TVS90-43358E	143.384122	ECV100-145316G	143.386182	TVM220-157128J
143.364122	TVS90-43337D	143.374082	TVS90-43359E	143.384172	ECV100-145317G	143.391012	TVS75-33066F
143.364132	TVS90-43338D	143.374092	ECV100-145298F	143.384202	ECV100-145318G	143.391022	TVS75-33067F
143.364142	TVS90-43339D	143.374102	ECV100-145299F	143.384212	ECV100-145319G	143.394012	ECV100-145323G
143.364152	TVXL105-54029C	143.374112	ECV100-145300F	143.384222	ECV100-145258G	143.394022	TVS90-43420F
143.364162	ECV100-145281F	143.374122	ECV100-145301F	143.384232	ECV100-145295G	143.394032	TVS90-43422F
143.364172	ECV100-145282F	143.374132	ECV100-145302F	143.384242	ECV100-145296G	143.394042	TVS90-43423F
143.364182	ECV100-145283F	143.374142	ECV100-145303F	143.384252	ECV100-145286G	143.394052	TVS90-43424F
143.364192	ECV100-145284F	143.374152	ECV100-145304F	143.384262	ECV100-145287G	143.394062	TVS90-43425F
143.364202	TVS90-43341D	143.374162	ECV100-145305F	143.384272	TVS90-43342F	143.394072	TVS90-43426F
143.364212	ECV100-145285F	143.374172	ECV100-145306F	143.384282	TVS90-43347F	143.394082	ECV100-145324G
143.364222	TVS90-43342D	143.374182	ECV100-145307F	143.384292	TVS90-43346F	143.394122	TVS90-43438F
143.364232	ECV100-145286F	143.374192	ECV100-145308F	143.384302	TVS90-43215F	143.394132	TVS90-43421F
143.364242	ECV100-145287F	143.374202	ECV100-145309F	143.384312	TVS90-43396F	143.394142	TVS90-43428F
143.364252	ECV100-145288F	143.374212	TVS90-43360E	143.384322	ECV100-145321G	143.394152	TVS90-43443F
143.364262	TVS105-53087D	143.374222	TVS90-43361E	143.384332	ECV100-145322G	143.394162	ECV100-145333G
143.364272	ECV100-145290F	143.374232	TVS90-43362E	143.384342	TVS90-43348F	143.394172	ECV100-145327G
143.364282	ECV100-145289F	143.374282	TVS90-43601E	143.384352	ECV100-145285G	143.394182	ECV100-145328G
143.364292	ECV100-145291F	143.374292	TVS105-53601E	143.384362	ECV100-145294G	143.394222	ECV100-145326G
143.364302	ECV100-145292F	143.374302	TVS90-43371E	143.384372	ECV100-145293G	143.394232	ECV100-145325G
143.364312	ECV100-145293F	143.374312	TVS105-53101E	143.384382	TVS90-43402F	143.394242	TVS90-43451F
143.364322	ECV100-145294F	143.374322	TVS90-43342E	143.384392	TVS90-43403F	143.394252	ECV100-145330G
143.364332	ECV100-145295F	143.374332	TVS90-43375E	143.384402	TVS105-53107F	143.394262	ECV100-145332G
143.364342	ECV100-145296F	143.374342	ECV100-145310F	143.384412	TVS105-53602F	143.394272	ECV100-145331G
143.364352	TVS90-43346D	143.374362	TVS90-43307E	143.384422	TVS105-53607F	143.394282	ECV100-145329G
143.364362	TVS90-43347D	143.374372	TVS105-53602E	143.384432	TVS100-44604B	143.394302	TVS90-43454F
143.364372	TVS90-43348D	143.374382	TVS90-43215E	143.384442	TVS90-43405F	143.394312	TVS90-43455F
143.364382	ECV100-145297F	143.374402	ECV100-145312F	143.384452	TVS90-43375F	143.394322	TVS90-43456F
143.364392	TVS90-43351D	143.374412	ECV100-145311F	143.384462	ECV100-145273G	143.394332	TVS90-43457F
143.364402	TVS105-53090D	143.374422	TVS105-53102E	143.384472	ECV100-145291G	143.394342	ECV100-145334G
143.365012	ECV120-152037C	143.374432	TVS90-43389E	143.384482	ECV100-145292G	143.394352	ECV100-145335G
143.365022	ECV120-152038C	143.374452	ECV100-145320F	143.384492	ECV100-145266G	143.394362	ECV100-145336G
143.366022	TVM195-150134L	143.375012	ECV120-152039C	143.384502	ECV100-145290G	143.394372	ECV100-145337G
143.366032	TVM220-157069G	143.375022	ECV120-152040C	143.384512	ECV100-145288G	143.394382	ECV100-145338G
143.366042	TVM195-150151L	143.375032	LAV50-62082F	143.384522	ECV100-145297G	143.394392	ECV100-145339G
143.366052	TVM220-157093G	143.375042	LAV50-62037F	143.384532	ECV100-145289G	143.394402	ECV100-145340G
143.366062	TVM220-157081G	143.375052	ECV120-152043C	143.384542	ECV100-145310G	143.394412	ECV100-145341G
143.366082	TVM125-60252L	143.376022	TVM220-157106H	143.384552	TVS90-43389F	143.394422	ECV100-145342G

# SEARS CRAFTSMAN CROSS REFERENCE CHARTS

Craftsman Tecumseh	
143.394432	ECV100-145343G
143.394442	ECV100-145344G
143.394452	ECV100-145345G
143.394462	ECV100-145346G
143.394472	ECV100-145347G
143.394482	ECV100-145348G
143.394492	TVS90-43458F
143.394502	LAV35-40917S
143.394512	ECV100-145349G
143.394522	TVS100-44605B
143.395012	ECV120-152044D
143.395022	ECV120-152045D
143.396022	TVXL220-157213
143.396042	TVXL220-157206
143.396052	TVXL220-157205
143.396082	TVXL220-157215
143.396102	TVM125-60258L
143.396122	TVXL220-157220
143.401012	TVS75-33070F
143.404022	TVS90-43490F
143.404032	TVS90-43491F
143.404042	TVS105-53123G
143.404052	TVS105-53124G
143.404062	TVS105-53125G
143.404072	TVS105-53126G
143.404082	TVS105-53901G
143.404092	TVS105-53902G
143.404122	TVS120-63114F
143.404132	TVS105-53130G
143.404142	TVS105-53903G
143.404152	TVS120-63115F
143.404162	TVS105-53132G
143.404172	TVS105-53131G
143.404182	TVS120-63901F
143.404202	TVS105-53136G
143.404222	TVS105-53137G
143.404232	TVS105-53138G
143.404242	TVS105-53133G
143.404252	TVS105-53134G
143.404282	TVS105-53139G
143.404292	TVS120-63117F
143.404312	TVS105-53140G
143.404322	TVS105-53153G
143.404332	TVS105-53904G
143.404342	TVS90-43498F
143.404352	TVS90-43499F
143.404362	TVS105-53143G
143.404372	TVS105-53905G
143.404382	TVS105-53906G
143.404392	TVS105-53907G
143.404402	TVS120-63902F
143.404412	TVS105-53147G
143.404422	TVS105-53148G
143.404432	TVS105-53149G
143.404442	TVS105-53150G

Craftsman Tecumseh	
143.404452	TVS105-53151G
143.404462	TVS105-53152G
143.404472	TVS120-63120F
143.404482	TVS120-63903F
143.404502	TVS90-43504F
143.404532	TVS90-43497F
143.406022	TVXL220-157205A
143.406032	TVXL220-157215A
143.406042	TVXL220-157220A
143.406082	TVM125-60261L
143.406092	TVXL195-150233
143.406102	TVXL220-157230A
143.406122	TVXL220-157206A
143.406172	TVXL195-150238
143.414012	TVS90-43512G
143.414022	TVS105-53162H
143.414032	TVS90-43513G
143.414042	TVS90-43514G
143.414052	TVS90-43515G
143.414062	TVS105-53163H
143.414072	TVS105-53165H
143.414082	TVS90-43497G
143.414092	ECV100-145334H
143.414102	ECV100-145335H
143.414112	ECV100-145339H
143.414122	ECV100-145340H
143.414132	ECV100-145341H
143.414142	ECV100-145342H
143.414152	ECV100-145344H
143.414162	ECV100-145345H
143.414172	TVS90-43298G
143.414182	TVS90-43299G
143.414192	ECV100-145337H
143.414202	ECV100-145338H
143.414212	TVS90-43389G
143.414222	TVS105-53167H
143.414222	TVS105-53167H
143.414232	TVS90-43526G
143.414242	TVS90-43375G
143.414252	TVS90-43215G
143.414262	ECV100-145346H
143.414272	ECV100-145347H
143.414282	TVS90-43528G
143.414292	TVS105-53153H
143.414292	TVS105-53153H
143.414302	TVS120-63124G
143.414312	TVS105-53130H
143.414322	TVS105-53901H
143.414332	TVS90-43504G
143.414342	TVS105-53903H
143.414352	TVS120-63901G
143.414362	TVS105-53911H
143.414372	TVS105-53169H
143.414382	TVS105-53151H
143.414392	TVS120-63903G

Craftsman Tecumseh	
143.414402	TVS105-53902H
143.414412	TVS105-53168H
143.414422	TVS120-63115G
143.414442	TVS105-53132H
143.414452	TVS105-53152H
143.414462	TVS105-53137H
143.414472	TVS120-63117G
143.414482	TVS105-53139H
143.414492	TVS120-63120G
143.414502	TVS90-43534G
143.414512	TVS90-43535G
143.414522	TVS90-43901G
143.414532	TVS90-43533G
143.414542	TVS105-53907H
143.414552	TVS120-63906G
143.414562	TVS105-53170H
143.414572	TVS120-63902G
143.414582	TVS105-53910H
143.414592	TVS105-53912H
143.414602	TVS105-53913H
143.414612	TVS90-43537G
143.414622	TVS120-63127G
143.414632	TVS105-53914H
143.414642	TVS120-63907G
143.414652	TVS105-53175H
143.414662	TVS105-53176H
143.414672	TVS105-53177H
143.414682	ECV100-145349H
143.414692	TVS100-44022C
143.416022	TVXL195-150239
143.416032	TVXL220-157240A
143.416052	TVM125-60254M
143.416062	TVM125-60265M
143.416072	TVXL220-157241A
143.424012	TVS90-43504H
143.424022	TVS105-56001
143.424032	TVS90-43497H
143.424042	TVS105-53153J
143.424052	TVS90-43526H
143.424062	TVS120-63129H
143.424072	TVS100-44026D
143.424082	TVS105-56904
143.424102	TVS120-63910H
143.424112	TVS100-44029D
143.424122	TVS100-44030D
143.424132	TVS100-44031D
143.424142	TVS105-56905
143.424152	TVS120-63911H
143.424162	TVS105-56906
143.424172	TVS120-63130H
143.424182	TVS100-44032D
143.424192	TVS100-44033D
143.424202	TVS90-43215H
143.424212	TVS90-43514H
143.424222	TVS90-43513H

Craftsman Tecumseh	
143.424232	TVS90-43375H
143.424242	TVS90-43553H
143.424252	TVS90-43528H
143.424262	TVS105-53163J
143.424272	TVS105-53165J
143.424282	TVS105-53912J
143.424292	TVS105-53913J
143.424302	TVS105-53179J
143.424312	TVS105-56005
143.424322	TVS105-56006
143.424332	TVS120-63134H
143.424342	TVS120-63135H
143.424352	TVS105-53180J
143.424362	TVS90-43555H
143.424372	TVS90-43556H
143.424382	TVS105-56007
143.424392	TVS105-56907
143.424402	TVS120-63902H
143.424412	TVS90-43558H
143.424422	TVS100-44036D
143.424432	TVS90-43512H
143.424442	TVS105-53162J
143.424452	TVS100-44037D
143.424462	TVS100-44038D
143.424472	TVS90-43515H
143.424482	TVS120-63137H
143.424492	TVS105-53920J
143.424502	TVS120-63915H
143.424512	TVS90-43298H
143.424522	TVS100-44042D
143.424532	TVS100-44043D
143.424542	TVS100-44045D
143.424552	TVS100-44046D
143.424562	TVS90-43389H
143.424572	TVS90-43299H
143.424582	TVS120-63916H
143.426012	TVM125-60261M
143.426022	TVXL195-150246A
143.426032	TVXL195-150238A
143.426042	TVXL220-157205B
143.426052	TVXL220-157206B
143.426062	TVXL220-157220B
143.426072	TVXL220-157245B
143.426132	TVXL220-157215B
143.434012	TVS90-43504J
143.434022	TVS90-43526J
143.434032	TVS115-61902
143.434042	TVS115-56007A
143.434052	TVS115-56012A
143.434062	TVS115-57902A
143.434072	TVS90-43572J
143.434082	TVS115-56011A
143.434092	TVS90-46005
143.434102	TVS115-61002
143.434122	TVS115-56010A

# SEARS CRAFTSMAN CROSS REFERENCE CHARTS

Craftsman Tecumseh		Craftsman Tecumseh		Craftsman Tecumseh		Craftsman Tecumseh	
143.434132	TVS115-61901	143.598012	HH80-110092C	143.612022	HH120-120087C	143.622082	HH120-120087D
143.434142	TVS90-43497J	143.601022	H30-35223H	143.614042	H35-45326J	143.622092	HH120-120055D
143.434152	TVS115-56906A	143.601032	H30-35224H	143.614062	H35-45314H	143.622102	HH120-120167D
143.434162	TVS115-56001A	143.601062	H30-35248G	143.614072	H35-45125H	143.624012	H35-45365G
143.434182	TVS115-56017A	143.602012	HH120-120078C	143.614082	H35-45235J	143.624022	H35-45205G
143.434192	TVS90-46003	143.602022	HH120-120107C	143.614092	H35-45022H	143.624032	H35-45371H
143.434202	TVS115-57012A	143.602032	HH120-120012B	143.614102	H35-45133H	143.624042	H35-45372H
143.434212	TVS90-43576J	143.602052	HH120-120069C	143.614112	H35-45285J	143.624092	H35-45281J
143.434222	TVS90-46012	143.602062	HH120-120065C	143.614122	H35-45028H	143.624102	H35-45141G
143.434232	TVS115-56016A	143.602072	HH120-120031C	143.614132	H35-45328H	143.624112	H35-45379H
143.434242	TVS90-46013	143.602082	HH120-120013C	143.614142	H35-45213H	143.625012	H50-65341J
143.434262	TVS90-46007	143.602092	HH120-120092C	143.614152	H35-45284J	143.625022	H50-65336J
143.434272	TVS90-46015	143.602102	HH120-120091C	143.614162	H35-45135H	143.625032	H50-65337J
143.434282	TVS120-63917J	143.602112	HH120-120075C	143.615012	H50-65291H	143.625042	H50-65163K
143.434292	TVS90-46017	143.602122	HH120-120055C	143.615022	H50-65163H	143.625052	H50-65323K
143.434302	TVS90-46018	143.604012	H35-45281H	143.615052	H50-65208J	143.625072	H50-65059K
143.434312	TVS90-46019	143.604032	H35-45284H	143.615062	H50-65311H	143.625082	H50-65329K
143.434332	TVS120-63918J	143.604042	H35-45285H	143.615072	H50-65316H	143.625092	H50-65031K
143.434342	TVS100-44037E	143.604062	H35-45308H	143.615092	H50-65326H	143.625102	H50-65263K
143.434352	TVS90-43375J	143.604072	H35-45314G	143.616012	H70-130099	143.625112	H50-65275K
143.434362	TVS100-44033E	143.605012	H50-65263H	143.616042	H60-75158H	143.625122	H50-65208K
143.434372	TVS90-43513J	143.605022	H50-65275H	143.616052	HH60-105075D	143.625132	H50-65361J
143.434382	TVS100-44031E	143.605052	H50-65284H	143.616062	HH60-105076D	143.626012	H70-130138A
143.434392	TVS90-43515J	143.606012	H70-130070	143.616072	H60-75263H	143.626022	H60-75346J
143.434402	TVS90-43553J	143.606022	H70-130071	143.616082	H60-75332H	143.626032	H70-130135A
143.434412	TVS90-43298J	143.606032	H70-130072	143.616112	H60-75334H	143.626042	H60-75334J
143.434422	TVS100-44043E	143.606042	H70-130069	143.616122	H70-130108	143.626052	H70-130029A
143.434432	TVS90-43215J	143.606052	H70-130081	143.617012	HS40-55302B	143.626062	H70-130097A
143.434442	TVS100-44030E	143.606092	H60-75331H	143.617022	HS40-55212B	143.626072	H60-75158J
143.434452	TVS100-44038E	143.606102	H70-130097	143.617032	HS40-55317C	143.626082	H70-130037A
143.434462	TVS100-44032E	143.607012	HS40-55212B	143.617042	HS40-55318C	143.626092	H70-130108A
143.434472	TVS100-44036E	143.607022	HS40-55249B	143.617062	HS40-55320B	143.626102	H70-130013A
143.434482	TVS90-43528J	143.607032	HS40-55253B	143.617082	HS40-55329C	143.626122	H70-130036A
143.434492	TVS105-53913K	143.607042	HS40-55301B	143.617092	HS40-55333C	143.626132	H60-75156J
143.434502	TVS105-53163K	143.607052	HS40-55302B	143.617112	HS40-55346C	143.626142	H70-130006A
143.434512	TVS115-61016	143.607062	HS40-55315B	143.617132	HS40-55350C	143.626152	H70-130070A
143.434522	TVS115-61906	143.608012	HH80-110100D	143.617152	HS40-55402C	143.626162	H60-75332J
143.434532	TVS90-43514J	143.608022	HH80-110075D	143.617162	HS40-617162	143.626172	H70-130081A
143.434542	TVS100-44029E	143.608032	HH80-110056D	143.617182	HS40-55363C	143.626182	H60-75113J
143.434552	TVS100-44045E	143.609022	HH100-115013C	143.619012	HH100-115164C	143.626192	H70-130017A
143.434562	TVS90-43299J	143.609032	HH100-115150C	143.621012	H25-25199H	143.626202	H60-75352J
143.434572	TVS90-43512J	143.609042	HH100-115019C	143.621022	H25-25200H	143.626212	H70-130057A
143.434582	TVS100-44048E	143.609052	HH100-115136G	143.621032	H30-35276H	143.626222	H60-75263J
143.434592	TVS115-56911A	143.609072	HH100-115129C	143.621042	H25-25203H	143.626232	H60-75123J
143.434602	TVS115-56031A	143.611012	H30-35071H	143.621052	H30-35275H	143.626242	HH60-105064E
143.436012	TVXL220-157245C	143.611032	H25-25092H	143.621062	H30-35100J	143.626252	H60-75355J
143.436052	TVM125-60267N	143.611042	H30-35125H	143.621082	H25-25207H	143.626262	H60-75291J
143.436062	TVXL195-150246B	143.611052	H30-35169H	143.621092	H25-25208H	143.626282	HM80-155032
143.436072	TVXL220-157220C	143.611062	H25-25136H	143.622012	HH120-120095D	143.626292	H70-130168A
143.436082	TVXL220-157215C	143.611072	H30-35172H	143.622022	HH120-120107D	143.626302	H60-75365J
143.436112	TVXL220-157206C	143.611082	H30-35256H	143.622032	HH120-120012D	143.626312	H70-130069A
143.436122	TVXL220-157205C	143.611092	H30-35248H	143.622042	HH120-120078D	143.626322	H70-130015A
143.436162	TVM125-60254N	143.611102	H25-25135H	143.622052	HH120-120065D	143.627012	HS40-55382C
143.436172	TVXL195-150238B	143.611112	H30-35130H	143.622062	HH120-120069D	143.627032	HS40-55212C
143.572102	HH120-120031A	143.612012	HH120-120012C	143.622072	HH120-120031D	143.627042	HS40-55444C

# SEARS CRAFTSMAN CROSS REFERENCE CHARTS

Craftsman Tecumseh	
143.628012	HH80-110056E
143.628022	HH80-110075E
143.629012	HH100-115176D
143.629022	HH100-115164D
143.629032	HH100-115136D
143.629042	HH100-115044D
143.629052	HH100-115019D
143.629062	HH100-115179D
143.629072	HH100-115129D
143.631012	H30-35286H
143.631022	H25-25213H
143.631032	H25-25214H
143.631042	H25-25215H
143.631052	H25-25216H
143.631062	H25-25217H
143.631072	H25-25219H
143.631082	H25-25220H
143.631092	H30-35292H
143.632012	HH120-120169D
143.632022	HH120-120168D
143.632032	HH120-120172D
143.632042	HH120-120175D
143.634012	H35-45391H
143.634022	H35-45392H
143.634032	H35-45405H
143.635012	H50-65375K
143.635022	H50-65377K
143.635032	HS50-67037
143.635042	H50-65388J
143.635052	H50-65386K
143.636012	HM80-155037
143.636022	HM80-155038
143.636032	H70-130172A
143.636042	HM80-155045
143.636052	H60-75159J
143.636062	H70-130173A
143.636072	HM80-155083
143.637012	HS40-55460C
143.639012	HH100-115185D
143.641012	H25-25224H
143.641022	H25-25203J
143.641032	H30-35276J
143.641042	H25-25225H
143.641052	H30-35304H
143.641062	H30-35308J
143.641072	H35-45418J
143.64152	TVXL105-54029B
143.642012	HH120-120176D
143.642022	HH120-120179D
143.642032	HH120-120181D
143.642042	HH120-120182D
143.644012	H35-45371J
143.644022	H35-45328J
143.644032	H35-45372J
143.644052	H35-45022J

Craftsman Tecumseh	
143.644072	H35-45418J
143.644082	H35-45420G
143.645012	HS50-67037A
143.645022	HS50-67062A
143.645032	HS50-67076A
143.646012	H70-130182A
143.646022	H70-130181A
143.646032	H70-130183A
143.646042	HM80-155037A
143.646052	HM80-155038A
143.646062	H70-130013B
143.646072	H70-130006B
143.646082	H70-130181B
143.646092	H70-130182B
143.646102	H70-130173B
143.646112	HH60-105089E
143.646122	H70-130057B
143.646132	H70-130108B
143.646142	HM80-155083A
143.646152	H70-130081B
143.646162	HM80-155095A
143.646172	H70-130185B
143.646182	H70-130183B
143.646192	H60-75365K
143.646202	H70-130186B
143.646212	HM80-155032A
143.646222	HM80-155099A
143.646232	HM80-155045A
143.647012	HS40-55361D
143.647022	HS40-55212D
143.647032	HS40-55318D
143.647042	HS40-55363D
143.647052	HS40-55464C
143.647062	HS40-55469C
143.649012	HH100-115186D
143.649022	HH100-115195D
143.651012	H30-35310J
143.651022	H30-35312J
143.651032	H30-35311J
143.651042	H30-35309J
143.651052	H30-35311K
143.651062	H30-35310K
143.651072	H30-35312K
143.652012	HH120-120182E
143.652022	HH120-120012E
143.652032	HH120-120078E
143.652042	HH120-120055E
143.652052	HH120-120193E
143.652062	HH120-120095E
143.652072	HH120-120181E
143.654012	H35-45421H
143.654022	H35-45424J
143.654032	H35-45424K
143.654042	H35-45427J
143.654052	H35-45428J

Craftsman Tecumseh	
143.654062	H35-45441H
143.654072	H35-45448K
143.654082	H35-45428K
143.654092	H35-45441J
143.654102	H35-45285K
143.654112	H35-45379K
143.654122	H35-45328K
143.654132	H35-45371K
143.654142	H35-45133K
143.654152	H35-45392K
143.654162	H35-45427K
143.654172	H35-45460K
143.654182	H35-45463K
143.654192	H35-45462K
143.654202	H35-45464K
143.654212	H35-45391K
143.654222	H35-45205H
143.654232	H35-45471K
143.654242	H35-45284K
143.654252	H35-45471L
143.654262	H35-45371L
143.654272	H35-45428L
143.654282	H35-45133L
143.654292	H35-45379L
143.654302	H35-45474K
143.654312	H35-45476L
143.654322	H35-45328L
143.655012	HS50-67094A
143.655022	HS50-67105A
143.655032	HS50-67110A
143.656012	H60-75394J
143.656022	H60-75398J
143.656032	H60-75403K
143.656042	H60-75404J
143.656052	H60-75407J
143.656062	H70-130172B
143.656072	HM80-155106A
143.656072	HM80-155106A
143.656072	HM80-155106A
143.656082	HM80-155109A
143.656092	H60-75411J
143.656102	H70-130193B
143.656112	HH60-105096E
143.656122	H70-130196B
143.656132	H70-130197B
143.656152	H70-130200B
143.656162	HH60-105097E
143.656172	H60-75417J
143.656182	H60-75416J
143.656192	H70-130069B
143.656202	H60-75420J
143.656212	HM80-155122A
143.656222	HM80-155121A
143.656232	H70-130202B
143.656242	HM80-155032B

Craftsman Tecumseh	
143.656252	H60-75426J
143.656262	H70-130203C
143.656272	H70-130205C
143.656282	HM80-155129B
143.657012	HS40-55212E
143.657022	HS40-55477E
143.657032	HS40-55482E
143.657042	HS40-55484D
143.657052	HS40-55212F
143.659012	HH100-115218E
143.659022	HH100-115136E
143.659032	HH100-115185E
143.661012	H30-35310L
143.661022	H30-35311L
143.661032	H30-35312L
143.661042	H30-35310M
143.661052	H30-35311M
143.661062	H30-35312M
143.662012	HH120-120196E
143.662012	HH120-120196E
143.664012	H35-45424L
143.664022	H35-45372L
143.664032	H35-45462L
143.664042	H35-45474L
143.664052	H35-45392L
143.664062	H35-45448L
143.664072	H35-45441K
143.664082	H35-45427L
143.664092	H35-45462L
143.664102	H35-45284L
143.664112	H35-45392M
143.664122	H35-45441M
143.664132	H35-45474M
143.664142	H35-45476M
143.664152	H35-45328M
143.664162	H35-45284M
143.664172	H35-45133M
143.664182	H35-45379M
143.664192	H35-45471M
143.664202	H35-45462M
143.664212	H35-45448M
143.664222	H35-45428M
143.664232	H35-45427M
143.664242	H35-45424M
143.664252	H35-45372M
143.664262	H35-45371M
143.664272	H35-45235M
143.664282	H35-45464M
143.664292	H35-45391M
143.664302	H35-45463M
143.664312	H35-45486M
143.664332	H35-45487K
143.665012	HS50-67037B
143.665022	HS50-67062B
143.665032	HS50-67062C

# SEARS CRAFTSMAN CROSS REFERENCE CHARTS

Craftsman Tecumseh	Craftsman Tecumseh	Craftsman Tecumseh	Craftsman Tecumseh
143.665042 HS50-67037C	143.672042 HH120-120078F	143.686052 HM80-155146E	143.706042 HM80-155189E
143.665052 HS50-67128C	143.672052 HH120-120181F	143.686062 H70-130206D	143.706052 HM80-155189E
143.665062 HS50-67132B	143.672062 HH120-120095F	143.686072 H50-65413K	143.706062 H60-75469K
143.665072 HS50-67135C	143.672072 HH120-120208F	143.686082 HM80-155164E	143.706072 HM80-155194E
143.665082 HS50-67142B	143.674012 H35-45490M	143.686092 HM80-155170E	143.706082 HM80-155193E
143.666012 H70-130097C	143.674032 H35-45285M	143.686102 HM100-159034C	143.706092 H70-130172E
143.666022 H70-130206C	143.674042 H35-45205K	143.686112 H50-65423K	143.706102 H60-75470P
143.666032 HM80-155131B	143.674052 H35-45496K	143.686112 H50-65423K	143.706112 H70-130240F
143.666042 H70-130207C	143.674062 H35-45460M	143.686122 H60-75461M	143.706122 HM80-155195G
143.666052 H70-130193C	143.675012 HS50-67146C	143.686122 H60-75461M	143.706132 HM100-159055E
143.666062 H70-130197C	143.675022 HS50-67149C	143.686132 H70-130232D	143.706142 H60-75471P
143.666072 H70-130202C	143.675032 H50-65398L	143.686132 H70-130232D	143.706152 HM100-159034E
143.666082 HM80-155121C	143.675042 HS50-67152B	143.686142 HM80-155171E	143.706162 HM80-155170G
143.666092 HM80-155122C	143.675052 HS50-67117B	143.686142 HM80-155171E	143.706172 H70-130205F
143.666102 H60-75420K	143.675062 H50-65406K	143.686152 HM100-159036C	143.706182 H70-130172F
143.666112 H60-75426K	143.676012 HM80-155121D	143.686152 HM100-159036C	143.706212 H50-65447M
143.666122 H60-75411K	143.676022 HM80-155122D	143.686162 H60-75462M	143.706222 HM80-155204G
143.666132 H60-75404K	143.676032 H70-130219C	143.686172 HM100-159040C	143.706232 HM100-159062E
143.666142 H60-75398K	143.676042 HM80-155145D	143.686182 H60-75464K	143.707012 HS50-67188C
143.666152 HM80-155106C	143.676052 HM80-155146D	143.687012 HS40-55502G	143.707042 HS40-55524G
143.666162 HM80-155109C	143.676062 HM100-159014A	143.687022 HS50-67169B	143.707052 HS50-67190C
143.666172 H60-75403L	143.676072 HM100-159015A	143.687032 HS50-67170B	143.707062 HS40-55525F
143.666182 H60-75437K	143.676082 HM100-159016A	143.687032 HS50-67170B	143.707072 HS50-67191C
143.666192 H60-75438K	143.676092 HM100-159017A	143.687042 HS40-55514G	143.707082 HS50-67192C
143.666192 H60-75438K	143.676102 H70-130221C	143.694012 H35-45528L	143.707092 HS50-67193D
143.666202 H60-75439K	143.676112 H60-75452K	143.694022 H35-45496L	143.707102 HS40-55526G
143.666222 H70-130200C	143.676112 H60-75452K	143.694032 H35-45205L	143.707112 HS50-67195D
143.666232 HM80-155083C	143.676122 H70-130211D	143.696012 H60-75465K	143.707122 HS40-55534G
143.666242 HH60-105096F	143.676132 H60-75403M	143.696032 HM80-155145E	143.707132 HS50-67200D
143.666252 H70-130172C	143.676142 HM80-155151D	143.696042 H60-75461N	143.711012 H30-35326N
143.666272 H60-75416K	143.676152 HM100-159019A	143.696052 H70-130232E	143.711022 H30-35327N
143.666282 H70-130211C	143.676162 HM100-159020A	143.696062 HM80-155171F	143.711032 H30-35312N
143.666292 H60-75442M	143.676172 H70-130172D	143.696072 HM100-159036D	143.711042 H30-35325N
143.666302 H70-130212D	143.676182 HM80-155083D	143.696082 HS50-67181C	143.711052 H30-35332N
143.666312 H70-130213D	143.676192 H70-130224C	143.696092 HM80-155170F	143.712012 HH120-120095G
143.666322 HM80-155137C	143.676202 HM80-155131C	143.696102 H70-130205E	143.712022 HH120-120181G
143.666332 HM100-159008B	143.676212 HM100-159011C	143.696112 HM100-159034D	143.712032 HH120-120055G
143.666342 H70-130006C	143.676222 HM80-155129D	143.696122 H60-75462N	143.712042 HH120-120208G
143.666352 HM80-155129C	143.676232 H60-75456M	143.696132 HM80-155131F	143.714012 H35-45372N
143.666362 HM100-159011B	143.676242 H60-75457M	143.696142 H50-65413L	143.714022 H35-45460N
143.666372 H60-75445K	143.676252 HM80-155137D	143.696152 H60-75403N	143.714032 H35-45542N
143.666382 H70-130205D	143.676262 HM100-159008C	143.697012 HS50-67178B	143.714042 H35-45462N
143.667012 HS40-55477F	143.677012 HS40-55469D	143.697022 HS50-67170C	143.714052 H35-45427N
143.667022 HS40-55486D	143.677022 HS40-55363G	143.697032 HS40-55519F	143.714062 H35-45371N
143.667032 HS50-67117A	143.679012 HH100-115223F	143.697042 HS50-67117C	143.714072 H35-45474N
143.667042 HS40-55482F	143.679022 HH100-115136F	143.697052 HS50-67178C	143.714082 H35-45543M
143.667052 HS40-55482G	143.679032 HH100-115179F	143.701012 H30-35322M	143.714092 H35-45285N
143.667062 HS40-55477G	143.684012 H35-45518M	143.701022 H30-35325M	143.714102 H35-45133N
143.667072 HS40-55212G	143.685012 HS50-67117B	143.704022 H35-45542M	143.714112 H35-45379N
143.667082 HS40-55495G	143.685022 HS50-67163C	143.704032 H35-45543L	143.714122 H35-45328N
143.669012 HH100-115220E	143.685032 HS50-67177C	143.704042 H35-45544M	143.714132 H35-45544N
143.672012 HH120-120196F	143.686012 HM70-132007A	143.704062 H35-45554M	143.716012 HM70-132014B
143.672012 HH120-120196F	143.686022 HM70-132008A	143.706012 H60-75467K	143.716022 HM80-155208F
143.672022 HH120-120207F	143.686032 HM80-155122E	143.706022 H60-75468K	143.716032 H60-75465L
143.672032 HH120-120055F	143.686042 HM80-155121E	143.706032 HM80-155190E	143.716042 H60-75445L



# SEARS CRAFTSMAN CROSS REFERENCE CHARTS

Craftsman Tecumseh	
143.716052	HM70-132007B
143.716062	HM70-132008B
143.716072	HM80-155189F
143.716082	HM80-155190F
143.716092	HM100-159014B
143.716102	HM100-159015B
143.716112	H70-130221D
143.716122	H70-130207D
143.716132	H70-130193D
143.716142	H70-130197D
143.716152	HM80-155194F
143.716162	H50-65398M
143.716172	HM80-155122F
143.716182	HM80-155145F
143.716192	HM80-155146F
143.716202	H70-130232F
143.716212	HM100-159066B
143.716222	HM80-155211F
143.716232	H60-75469L
143.716242	H50-65413M
143.716252	H70-130224D
143.716262	HM100-159020B
143.716272	H60-75416L
143.716282	H60-75439L
143.716292	H60-75437L
143.716302	HH60-105096G
143.716312	H70-130006D
143.716322	H70-130196D
143.716332	HM100-159019B
143.716342	HM70-132015B
143.716352	H60-75438L
143.716362	H70-130205G
143.716372	HM100-159034F
143.716382	HM100-159055F
143.716392	HM80-155204H
143.716402	H60-75479R
143.716412	H60-75404L
143.716422	H50-65447N
143.716432	HM100-159062F
143.717012	HS40-55482H
143.717022	HS40-55502H
143.717032	HS40-55524H
143.717042	HS50-67190D
143.717052	HS40-55363H
143.717062	HS50-67128D
143.717072	HS50-67163D
143.717082	HS50-67192D
143.717092	HS50-67195E
143.717102	HS40-55537H
143.717112	HS50-67206E
143.721012	H30-35334N
143.721022	H30-35333N
143.721032	H30-35335N
143.724012	H35-45568N
143.724022	H35-45569N

Craftsman Tecumseh	
143.724032	H35-45571N
143.724042	H35-45474N
143.724052	HS40-55526H
143.725012	HS50-67210E
143.726012	H60-75480M
143.726022	HM100-159019C
143.726032	HM80-155228F
143.726042	H70-130207E
143.726052	H70-130224E
143.726082	H60-75445M
143.726092	H50-65461P
143.726102	HM100-159066C
143.726112	H60-75483S
143.726132	H60-75416M
143.726142	HH60-105096H
143.726152	HM80-155229H
143.726182	H70-130193E
143.726192	H70-130197E
143.726202	H70-130006E
143.726212	H70-130196E
143.726222	H60-75465M
143.726232	HM100-159014C
143.726242	H60-75469M
143.726252	H70-130206G
143.726262	H60-75439M
143.726272	HM80-155231F
143.726282	H70-130205H
143.726292	HM100-159034G
143.726302	H50-65413P
143.726312	HM100-159072G
143.726322	HM100-159020C
143.731012	H30-35337N
143.734012	H35-45573N
143.734022	H35-45575N
143.734032	H35-45576N
143.734042	HS40-55542H
143.735012	HS50-67220E
143.735022	HS50-67224D
143.736032	H60-75484M
143.736042	HM80-155235F
143.736052	H60-75486M
143.736062	H60-75487M
143.736072	H50-65447P
143.736082	HM80-155238F
143.736092	H70-130252H
143.736102	HM100-159079H
143.736112	H50-65473P
143.736122	HM80-155246J
143.736132	HM80-155247J
143.736142	HM100-159086H
143.741012	H30-35327P
143.741022	H30-35333P
143.741032	H30-35337P
143.741042	H30-35342P
143.741052	H30-35350P

Craftsman Tecumseh	
143.741062	H30-35351P
143.741072	H30-35354P
143.741082	H30-35362P
143.741092	H30-35363P
143.742032	HM80-155256F
143.742042	H50-65479N
143.742052	H50-65480N
143.744012	H35-45581P
143.744022	H35-45575P
143.744032	H35-45569P
143.744042	H35-45379P
143.744052	H35-45474P
143.744062	H35-45576P
143.744072	H35-45554N
143.744082	H35-45587P
143.744092	HS50-67238E
143.744102	HS40-55546H
143.744112	HS50-67247E
143.744122	H35-45592P
143.746012	H60-75489M
143.746022	HM80-155250F
143.746062	H70-130256J
143.746072	HM100-159095J
143.746082	HM80-155279J
143.746092	HM80-155280J
143.746102	HM100-159101J
143.751012	H30-35342R
143.751022	H30-35333R
143.751032	H30-35362R
143.751042	H30-35363R
143.751052	H30-35350R
143.751062	H30-35351R
143.754012	H35-45581R
143.754022	H35-45379R
143.754032	H35-45575R
143.754042	H35-45592R
143.754052	H35-45576R
143.754062	HS50-67224E
143.754072	H35-45595R
143.754082	HS50-67163E
143.754092	HS50-67192E
143.754102	H35-45587R
143.754112	HS50-67238F
143.754122	HS40-55546J
143.754132	HS50-67247F
143.754142	HS50-67200F
143.754152	H35-45554R
143.756012	H60-75487N
143.756022	H60-75489N
143.756042	H70-130207F
143.756052	H70-130006F
143.756062	HM100-159020D
143.756072	H60-75469N
143.756082	HM80-155228G
143.756092	H60-75465N

Craftsman Tecumseh	
143.756102	HM80-155146G
143.756112	HM100-159014D
143.756122	HM80-155256G
143.756132	H70-130224F
143.756142	H50-65479P
143.756152	HM100-159019D
143.756162	H70-130256K
143.756172	HM100-159095K
143.756182	HM80-155279K
143.756192	HM80-155280K
143.756202	HM100-159101K
143.756212	HM80-155299G
143.756222	H70-130260K
143.756232	HM100-159111K
143.760012	HH120-120095H
143.764012	HS50-67178F
143.764022	HS50-67265F
143.764032	HS40-55556J
143.764042	HS50-67268F
143.764052	H35-45604R
143.764062	HS50-67273F
143.764072	HS50-67274F
143.766012	HM80-155302H
143.766072	HM80-155306H
143.766082	HM80-155299H
143.766092	HM100-159111L
143.766102	HM80-155308L
143.766112	HM80-155309L
143.766122	HM100-159115L
143.766132	H70-130263K
143.766142	HM100-159125L
143.766152	HM80-155321L
143.774012	H35-45605R
143.774022	H30-35342S
143.774032	H35-45581S
143.774052	H30-35363S
143.774102	H30-35374R
143.774112	HS40-55534J
143.774122	H35-45612R
143.774132	HS50-67280E
143.776012	HM80-155299J
143.776022	H70-130264F
143.776042	HM80-155327J
143.776052	HM100-159134F
143.776062	HM100-159135F
143.776072	H70-130267L
143.780012	HH120-120213H
143.784012	HS40-55556K
143.784022	HS50-67268G
143.784032	HS50-67274G
143.784042	HS40-55562K
143.784052	H30-35351S
143.784062	H30-35382S
143.784072	HS50-67192F
143.784082	H30-35333S

# SEARS CRAFTSMAN CROSS REFERENCE CHARTS

Craftsman Tecumseh	Craftsman Tecumseh	Craftsman Tecumseh	Craftsman Tecumseh
143.784092 H30-35362S	143.796152 HM80-155346L	143.826032 HM80-155433M	143.943528 TVS90-43299K
143.784102 H30-35374S	143.796162 HM100-159169H	143.826042 HM80-155454M	143.943530 TVS90-43514K
143.784102 H30-35374S	143.796172 HM100-159135H	143.826052 HM100-159135K	143.943532 TVS90-43700K
143.784112 H35-45592S	143.796182 H70-130006H	143.826062 H60-75537S	143.943800 TVS100-44048F
143.784112 H35-45592S	143.796192 HM80-155327L	143.826072 HM80-155424M	143.943802 TVS100-44036F
143.784122 H35-45612S	143.796202 HM80-155384L	143.826082 HM100-159169K	143.943804 TVS90-46030A
143.784132 HS50-67280F	143.804012 HS50-67300J	143.826092 H60-75538S	143.943806 TVS90-46031A
143.784142 H35-45379S	143.804022 HS50-67268J	143.826102 HM80-155462M	143.943808 TVS90-46032A
143.784152 HS50-67163F	143.804032 HS40-55573M	143.826112 H60-75539S	143.943810 TVS100-44043F
143.784162 H30-35350S	143.804042 HS40-55556M	143.826122 HM80-155400M	143.943812 TVS90-46035A
143.784172 H30-35393S	143.804052 HS40-55585M	143.834012 HSSK50-67338L	143.943814 TVS90-46036A
143.784182 H35-45595S	143.804062 HS40-55586M	143.834022 H30-35426U	143.943816 TVS90-46037A
143.784192 H35-45554T	143.804072 HS50-67309J	143.834032 HS50-67192G	143.943818 TVS100-44038F
143.784202 HS40-55534L	143.804082 H30-35419S	143.834042 H35-45595T	143.943820 TVS100-44029F
143.786012 HM80-155308M	143.804092 H30-35420S	143.834052 HS50-67163G	143.943830 TVS100-44046F
143.786022 HM80-155309M	143.804102 H35-45629S	143.836012 HMSK80-155478R	143.943832 TVS100-44030F
143.786032 HM80-155321M	143.804112 H30-35424S	143.836022 HMSK80-155416R	143.943834 TVS100-44031F
143.786042 HM100-159115M	143.806012 HM80-155370P	143.836032 HMSK100-159199S	143.943838 TVS100-44033F
143.786052 HM80-155338M	143.806022 HM80-155309P	143.836042 HMSK100-159244S	143.943842 TVS100-44045F
143.786062 HM100-159140M	143.806032 HM80-155389P	143.836082 HM80-155487M	143.943844 TVS100-44032F
143.786072 HM100-159141M	143.806042 HM100-159115P	143.836092 H60-75537T	143.944000 TVS105-53163L
143.786082 H60-75507P	143.806052 HM100-159180P	143.836102 H60-75538T	143.944002 TVS115-56032B
143.786092 HM80-155340L	143.806072 HM80-155308P	143.836112 H60-75469T	143.944004 TVS115-56031B
143.786102 H70-130268G	143.806082 HM80-155394P	143.836122 H60-75539T	143.944006 TVS115-56033B
143.786112 HM80-155346K	143.806092 HM100-159183P	143.836132 H60-75554T	143.944008 TVS105-53912L
143.786122 HM100-159135G	143.806092 HM100-159183P	143.941000 TVXL220-157245D	143.944010 TVS115-56012B
143.786132 H70-130006G	143.806102 HM80-155400L	143.941001 HMSK100-159244T	143.944012 TVS115-56010B
143.786142 H70-130269G	143.806112 H70-130264H	143.941001 HMSK100-159244T	143.944014 TVS115-56036B
143.786152 H70-130264G	143.806122 H70-130267N	143.941002 TVXL220-157205D	143.944016 TVS115-56037B
143.786162 H60-75469P	143.806132 HM100-159192J	143.941003 HMSK100-159261T	143.944018 TVS115-56016B
143.786172 HM80-155327K	143.806142 H70-130268H	143.941004 TVXL220-157215D	143.944022 TVS115-56043B
143.786182 HM100-159111N	143.806152 HM80-155411L	143.941005 HM100-159262K	143.944024 TVS115-56042B
143.786192 HM100-159134G	143.806162 HM100-159135J	143.941006 TVXL220-157206D	143.944026 TVS105-53913L
143.786202 HM100-159158G	143.806172 HM100-159169J	143.941007 HM100-159135L	143.944028 TVS115-56044B
143.794012 HS40-55556L	143.806182 HM80-155424L	143.941008 TVXL220-157220D	143.944030 TVS115-56046B
143.794022 HS40-55562L	143.814012 HS40-55586N	143.941009 HM100-159262L	143.944032 TVS115-56912B
143.794032 HS50-67274H	143.814022 HS50-67309K	143.943001 H30-35426V	143.944034 TVS115-56047B
143.794042 HS50-67268H	143.814032 H30-35426S	143.943003 H30-35431V	143.944036 TVS115-56048B
143.794052 HS40-55572L	143.814042 H30-35427S	143.943005 H30-35450V	143.944500 TVS115-57020B
143.794053 HS50-67291H	143.814052 H35-45631S	143.943009 H30-35453V	143.944502 TVS115-57023B
143.794072 HS40-55573L	143.814062 H35-45633S	143.943009 H30-35453V	143.944504 TVS115-57028B
143.794082 HS50-67300H	143.814072 H30-35431S	143.943501 H35-45655V	143.944506 TVS115-57030B
143.796012 HM80-155308N	143.816012 HM100-159183R	143.943502 TVS90-43515K	143.945000 TVM125-60254P
143.796022 HM80-155309N	143.816022 HM80-155416P	143.943503 H35-45654V	143.945001 HSSK50-67338M
143.796032 HM80-155321N	143.816032 HM100-159199R	143.943504 TVS90-43513K	143.945002 TVS115-61901A
143.796042 HM80-155338N	143.816052 HM80-155433L	143.943505 H35-45595U	143.945003 HS50-67163H
143.796052 HM100-159115N	143.816062 H60-75469S	143.943506 TVS90-43215K	143.945004 TVS115-61021A
143.796062 HM100-159140N	143.816072 H70-130264J	143.943507 H35-45657U	143.945006 TVS115-61022A
143.796072 HM100-159141N	143.824012 H30-35427T	143.943508 TVS90-43572K	143.945010 TVS115-61906A
143.796082 HM80-155365N	143.824022 H30-35426T	143.943508 TVS90-43572K	143.945012 TVS115-61016A
143.796092 HM80-155366N	143.824022 H30-35426T	143.943509 H35-45661V	143.945014 TVS115-61002A
143.796102 HM100-159162N	143.824032 HS50-67330K	143.943510 TVS90-43298K	143.945016 TVS115-61024A
143.796122 H70-130224G	143.824042 H30-35431T	143.943512 TVS90-43375K	143.945016 TVS115-61024A
143.796132 HM80-155370N	143.826012 HM80-155445P	143.943514 TVS90-43576K	143.945018 TVS115-61026A
143.796142 H70-130267M	143.826022 HM100-159209R	143.943526 TVS90-43512K	143.945020 TVS115-61027A

# SEARS CRAFTSMAN CROSS REFERENCE CHARTS

Craftsman Tecumseh	
143.945300	TVS120-63918K
143.945300	TVS120-63918K
143.945302	TVS120-63919K
143.945502	TVS120-63921K
143.945502	TVS120-63921K
143.945504	TVS120-63920K
143.945506	TVS120-63922K
143.945508	TVS120-63923K
143.945510	TVS120-63924K
143.946001	H60-75539U
143.946003	H60-75469U
143.946005	H60-75537U
143.946007	H60-75554U
143.948000	TVXL195-150238C
143.948001	HMSK80-155478S
143.948001	HMSK80-155478S
143.948003	HMSK80-155502S
143.948005	HM80-155487N
143.948007	HM80-155433N
143.948009	HM80-155424N
143.951000	TVM220-157245E
143.951001	HMSK100-159282T
143.951002	TVM220-157206E
143.951003	HM100-159262M
143.951004	TVM220-157215E
143.951005	HM100-159135M
143.951006	TVM220-157205E
143.951008	TVM220-157220E
143.951010	TVM220-157255E
143.953001	H30-35431W
143.953003	H30-35453W
143.953005	H30-35450W
143.953007	H30-35459W
143.953500	TVS90-43576L
143.953501	H35-45595V
143.953502	TVS90-43513L
143.953503	H35-45654W
143.953504	TVS90-43215L
143.953505	H35-45655W
143.953506	TVS90-43515L
143.953507	H35-45671W
143.953508	TVS90-43700L
143.953509	H35-45657V
143.953510	TVS90-43375L
143.953511	H35-45675W
143.953512	TVS90-43512L
143.953513	H35-45674W
143.953514	TVS90-43514L
143.953515	H35-45661W
143.953516	TVS90-43298L
143.953800	TVS90-46036B
143.953802	TVS100-44029G
143.953804	TVS100-44031G
143.953806	TVS100-44036G
143.953808	TVS100-44037G

Craftsman Tecumseh	
143.953810	TVS100-44046G
143.953812	TVS100-44038G
143.953814	TVS90-46035B
143.953818	TVS100-44030G
143.953820	TVS100-44033G
143.953822	TVS100-44045G
143.953824	TVS100-44032G
143.954000	TVS115-56033C
143.954002	TVS115-56036C
143.954004	TVS105-53163M
143.954006	TVS105-53913M
143.954010	TVS115-56051C
143.954018	TVS115-56044C
143.954020	TVS115-56912C
143.954022	TVS115-56047C
143.954024	TVS115-56048C
143.954026	TVS115-56046C
143.954500	TVS115-57031C
143.954502	TVS115-57023C
143.954504	TVS115-57032C
143.954506	TVS115-57030C
143.954508	TVS115-57033C
143.954516	TVS115-57028C
143.955000	TVS115-61907B
143.955001	HSSK50-67338N
143.955001	HSSK50-67338N
143.955002	TVS115-61024B
143.955004	TVS115-61032B
143.955005	HS50-67163J
143.955006	TVS115-61906B
143.955008	TVS115-61016B
143.955010	TVS115-61021B
143.955016	TVS115-61037B
143.955018	TVS115-61039B
143.955020	TVS115-61027B
143.955022	TVS115-61026B
143.955024	TVS115-61041B
143.955300	TVS120-63924L
143.955500	TVS120-63920L
143.955502	TVS120-63925L
143.955506	TVS120-63921L
143.958000	TVM195-150238D
143.958001	HMSK80-155535S
143.958003	HM80-155424P
143.958005	HM80-155487P
143.958007	HM80-155544P
143.959001	HM90-156004B
143.959003	HM90-156005B
143.959005	HM90-156006B
143.961000	TVM220-157259E
143.961001	HMSK100-159244U
143.961003	HMSK100-159305U
143.961005	HM100-159309M
143.961007	HM100-159294M
143.963001	H30-35453X

Craftsman Tecumseh	
143.963500	TVS90-43515M
143.963501	H35-45657W
143.963502	TVS90-43215M
143.963503	H35-45687W
143.963504	TVS90-43576M
143.963505	H35-45671X
143.963506	LEV115-350009A
143.963507	H35-45674X
143.963508	TVS90-43729M
143.963509	H35-45675X
143.963511	H35-45661X
143.963513	H35-45697X
143.963515	H35-45698X
143.963517	H35-45595W
143.963800	TVS100-44031H
143.963802	TVS100-44029H
143.963804	TVS90-46068C
143.963806	TVS100-44033H
143.963808	TVS90-46035C
143.963810	TVS100-44030H
143.963812	TVS90-46081C
143.964000	TVS115-56047D
143.964001	HSSK40-55585T
143.964002	TVS115-56036D
143.964004	TVS115-56048D
143.964006	TVS90-48001A
143.964008	TVS90-48005A
143.964010	LEV115-350002A
143.964012	LEV115-350008A
143.964014	TVS115-56071D
143.964016	TVS115-56072D
143.964018	TVS115-56073D
143.964020	TVS115-56074D
143.964022	TVS115-56078D
143.964024	TVS115-56077D
143.964026	TVS115-56076D
143.964028	TVS115-56082D
143.964500	TVS115-57023D
143.964502	TVS115-57031D
143.964504	TVS115-57030D
143.964506	TVS115-57032D
143.964510	LEV115-350005A
143.964512	LEV115-350003A
143.965000	TVM125-60254R
143.965001	HSSK50-67365P
143.965002	TVS115-61049C
143.965003	HSSK50-67338P
143.965004	TVS115-61021C
143.965005	HSSK50-67374P
143.965006	TVS115-61050C
143.965008	TVS115-61016C
143.965010	TVS115-61051C
143.965012	TVS115-61026C
143.965014	TVS115-61037C
143.965016	LEV115-350004A

Craftsman Tecumseh	
143.965018	LEV115-350006A
143.965020	TVS115-61027C
143.965022	TVS115-61056C
143.965024	LEV115-350015B
143.965071	HSK850-8302B
143.965073	HSK850-8309B
143.965502	TVS120-63920M
143.965504	TVS115-62901A
143.965506	LEV115-355002A
143.965508	TVS115-62902A
143.966001	H60-75469V
143.966003	H60-75539V
143.966004	TVS120-63929M
143.966005	H60-75554V
143.966010	TVS120-63930M
143.966012	TVS120-63924M
143.968000	TVM195-150238E
143.968001	HMSK80-155547T
143.968003	HMSK80-155478T
143.968005	HMSK80-155555T
143.969001	HM90-156007B
143.969003	HM90-156008B
143.969005	HM90-156004B
143.969007	HM90-156005B
143.971000	TVM220-157205F
143.971001	HMSK100-159244V
143.971002	TVM220-157215F
143.971003	HMSK100-159339V
143.971004	TVM220-157206F
143.971005	HM100-159309N
143.971007	HM100-159352M
143.971009	HM100-159135N
143.971011	HM100-159374N
143.973500	TVS90-43576N
143.973501	H35-45657X
143.973502	TVS90-43729N
143.973503	H35-45698Y
143.973504	LEV115-350009B
143.973505	H35-45675Y
143.973507	H35-45697Y
143.973508	TVS90-43515N
143.973509	H35-45674Y
143.973510	TVS90-43746N
143.973511	H35-45661Y
143.973512	LEV115-350043B
143.973513	H35-45657Y
143.973800	TVS90-46083D
143.973802	TVS90-46081D
143.973804	LEV115-350040B
143.974002	TVS115-56089E
143.974004	TVS115-56048E
143.974006	TVS90-48014B
143.974008	TVS90-48013B
143.974010	TVS115-56090E
143.974012	TVS115-56047E

# SEARS CRAFTSMAN CROSS REFERENCE CHARTS

Craftsman Tecumseh	Craftsman Tecumseh	Craftsman Tecumseh	Craftsman Tecumseh
143.974014 TVS115-56094E	143.978005 HM80-155587R	143.985007 HSSK50-67374S	143.994502 LEV100-345012C
143.974016 TVS115-56095E	143.978007 HM80-155424R	143.985008 LEV115-350072C	143.994506 TVS115-57064G
143.974018 TVS115-56073E	143.978501 HMSK85-155901A	143.985010 TVS115-61085E	143.995000 LEV115-350114D
143.974020 LEV115-350044B	143.979001 HMSK90-156518C	143.985012 LEV115-350090C	143.995001 HSSK50-67392S
143.974022 LEV100-340002A	143.979003 HM90-156004C	143.985014 TVS115-61083E	143.995002 LEV115-350090D
143.974024 TVS115-56071E	143.979005 HM90-156005C	143.985016 LEV115-350119C	143.995003 HSSK50-67396S
143.974026 TVS115-56074E	143.979009 HM90-156007C	143.985018 LEV120-361038A	143.995004 LEV120-361046B
143.974030 LEV115-350045B	143.979011 HM90-156008C	143.985500 LEV115-355008C	143.995005 HSSK50-67398S
143.974032 TVS90-48023B	143.981000 TVM220-157215G	143.985502 LEV115-355007C	143.995012 LEV115-350070D
143.974034 TVS115-56077E	143.981001 HMSK100-159365W	143.985504 TVS115-62116C	143.995500 LEV115-355008D
143.974036 TVS90-48029B	143.981002 TVM220-157272G	143.985506 TVS115-62117C	143.995502 LEV115-355016D
143.974500 TVS115-57048E	143.981003 HM100-159135P	143.985508 TVS115-62118C	143.995508 TVS115-62122D
143.974502 TVS115-57049E	143.981005 HM100-159374P	143.985510 LEV115-355012C	143.996000 LEV115-360012C
143.974504 LEV115-350029B	143.981007 HM100-159388P	143.985512 LEV115-355014C	143.996002 LEV115-360015C
143.974506 LEV115-350030B	143.983071 HSK600-1708T	143.986000 LEV115-360014B	143.996004 LEV115-360021C
143.974508 TVS115-57054E	143.983500 LEV100-335009B	143.986002 LEV115-360012B	143.996006 TVS120-66018C
143.975000 TVS115-61037D	143.983501 H35-45661Z	143.986004 LEV115-360013B	143.996008 TVS120-66011C
143.975001 HSSK50-67338R	143.983502 LEV100-335010B	143.986006 LEV115-360015B	143.996502 LEV120-361012B
143.975002 LEV115-350012B	143.983504 LEV100-335011B	143.986010 TVS120-66011B	143.996504 LEV120-361013 B
143.975004 TVS115-61051D	143.983506 TVS90-43746P	143.986014 LEV115-360020B	143.996506 LEV120-361041B
143.975006 TVS115-61027D	143.983508 LEV100-335015B	143.986250 LEV115-360008B	143.996508 LEV120-361042B
143.975007 HSSK50-67374R	143.983510 LEV100-335018B	143.986252 LEV120-361019A	143.996510 LEV120-361044B
143.975008 TVS115-61026D	143.983800 LEV100-338007B	143.986500 LEV120-361012A	143.996518 TVS120-66104C
143.975010 TVS115-61056D	143.983804 LEV100-338012B	143.986502 LEV120-361013A	143.996520 TVS120-66105C
143.975012 TVS115-61063D	143.983806 TVS90-46111E	143.986504 LEV120-361021A	143.996522 TVS120-66107C
143.975014 TVS115-61064D	143.984000 LEV115-350056C	143.986506 TVS120-66104B	143.998001 HM80-155658S
143.975016 TVS115-61065D	143.984001 H40-55701A	143.986508 TVS120-66105B	143.998501 HMSK85-155903A
143.975024 LEV115-350031B	143.984002 LEV115-350057C	143.986512 LEV120-361031A	143.998503 HM85-155852A
143.975026 LEV115-350032B	143.984004 LEV115-350058C	143.986514 LEV120-361037A	143.999001 HMSK90-156522D
143.975028 TVS115-61072D	143.984006 LEV115-350059C	143.986518 LEV120-361040A	143.999003 HM90-156017D
143.975030 TVS115-61071D	143.984008 LEV100-340012B	143.988000 TVM195-150287G	143.999005 HMSK90-156525D
143.975032 TVS115-61016D	143.984010 LEV100-340013B	143.988001 HM80-155587S	143.999007 HMSK90-156529D
143.975034 LEV115-350047B	143.984012 LEV100-340014B	143.988003 HMSK80-155614V	
143.975036 TVS115-61081D	143.984014 LEV100-340015B	143.988005 HM80-155424S	
143.975038 TVS115-61082D	143.984016 LEV100-340016B	143.988503 HM85-155851A	
143.975500 TVS115-62106B	143.984018 LEV100-340017B	143.989001 HM90-156004D	
143.975502 TVS115-62107B	143.984020 LEV100-340021B	143.989003 HM90-156005D	
143.975504 TVS115-62108B	143.984022 LEV100-340022B	143.989005 HM90-156007D	
143.975506 TVS115-62110B	143.984024 LEV100-340024B	143.989007 HM90-156008D	
143.975508 LEV115-355005B	143.984026 LEV100-340026B	143.991001 HM100-159411P	
143.975510 LEV115-355006B	143.984028 LEV100-340027B	143.991002 TVM220-157275G	
143.976002 TVS120-66901A	143.984030 LEV100-340028B	143.991101 HMSK110-159951A	
143.976003 H60-75469W	143.984500 LEV100-345003B	143.991103 HMSK110-159959A	
143.976005 H60-75539W	143.984502 LEV100-345002B	143.993001 H30-35512Y	
143.976007 H60-75554W	143.984504 LEV100-345006B	143.993500 LEV100-335018C	
143.976250 TVS120-66101A	143.984506 TVS115-57057F	143.993501 H35-45754Y	
143.976252 TVS120-66102A	143.984508 LEV100-345009B	143.993502 LEV100-335010C	
143.976254 LEV115-360005A	143.984510 LEV100-345010B	143.993504 LEV100-335020C	
143.976256 LEV115-360007A	143.984512 LEV100-345011B	143.993508 TVS90-43746R	
143.976258 LEV115-360008A	143.984514 LEV100-345012B	143.993800 LEV100-338012C	
143.976260 TVS120-66103A	143.985000 LEV115-350060C	143.994000 LEV100-340026C	
143.977001 HSK70-130299T	143.985002 LEV115-350073C	143.994001 H40-55703A	
143.978000 TVM195-150238F	143.985003 HSSK50-67338S	143.994002 LEV100-340029C	
143.978001 HMSK80-155478U	143.985004 LEV115-350070C	143.994004 LEV100-340030C	
143.978003 HMSK80-155580U	143.985006 LEV115-350071C	143.994500 LEV100-345013C	