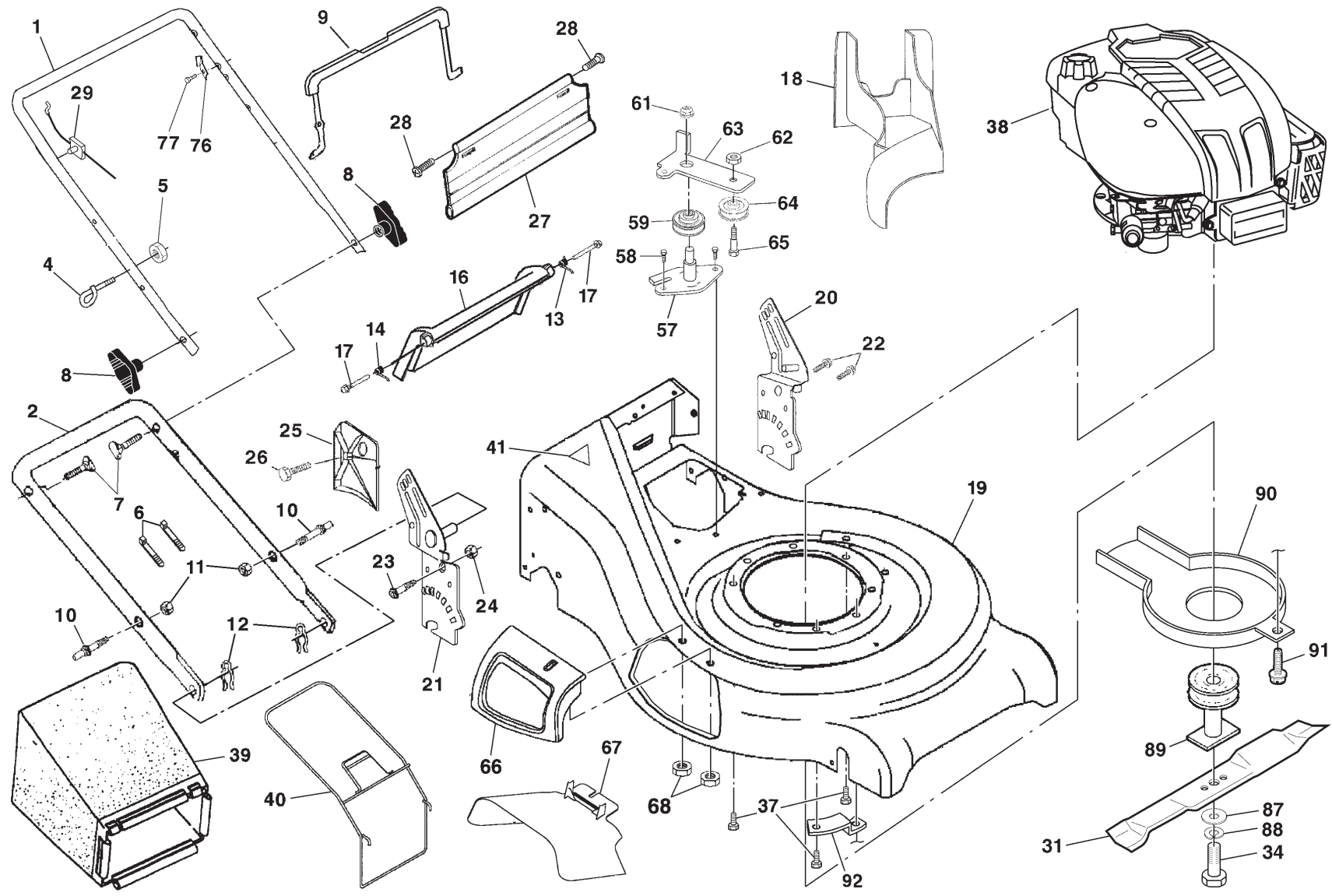


# ROTARY LAWN MOWER - - MODEL NUMBER PR7R21 (PR7R21C)

2

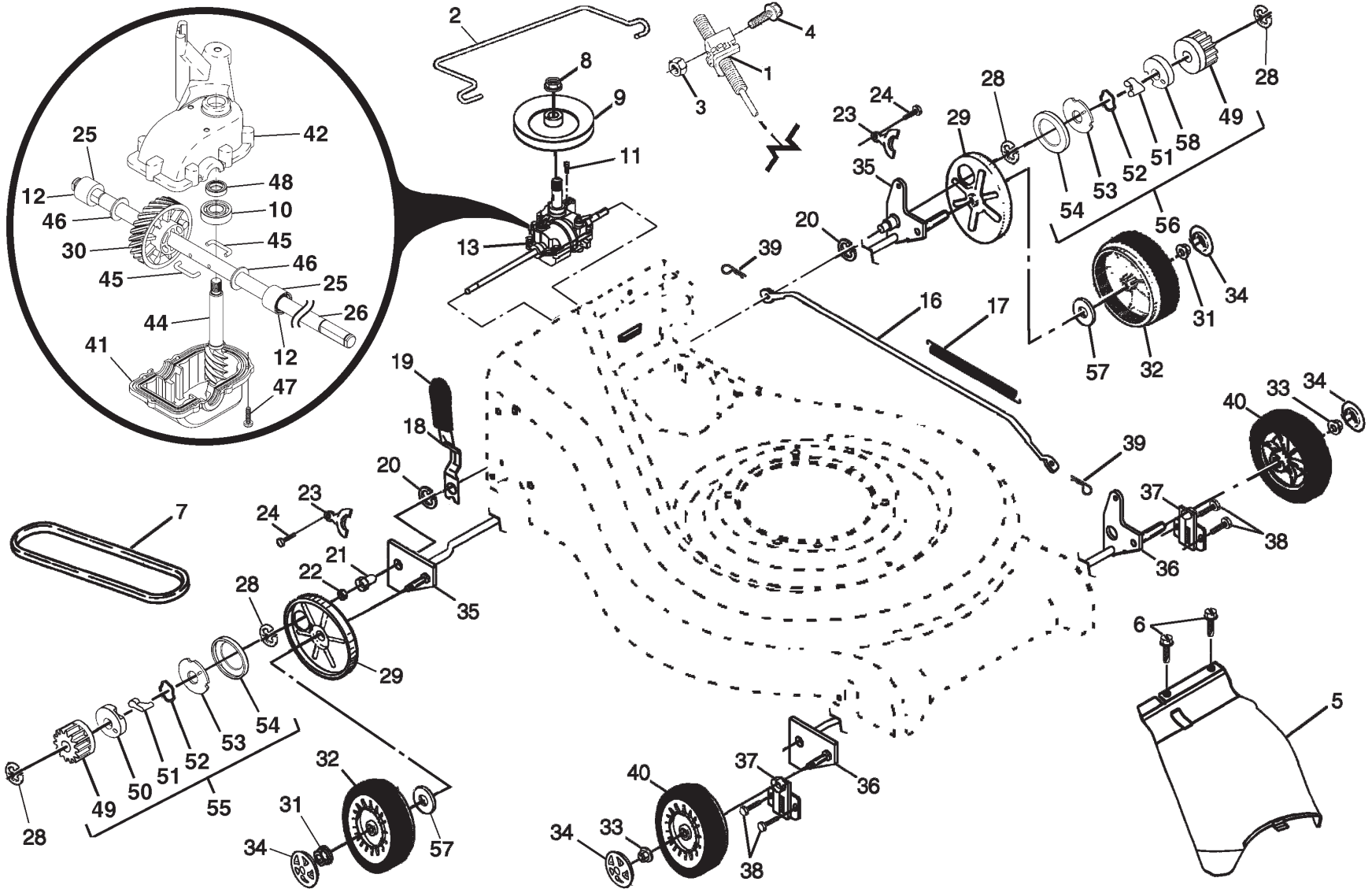


## ROTARY LAWN MOWER - - MODEL NUMBER PR7R21 (PR7R21C)

KEY NO.	PART NO.	DESCRIPTION	KEY NO.	PART NO.	DESCRIPTION
1	189663X479	Handle, Upper	38	- - -	Engine, Briggs & Stratton, Model Number 12H602
2	161105X479	Handle, Lower			(For engine service and replacement parts, call Briggs & Stratton at 1-800-233-3723)
3	186053	Spring, Rear Door, RH			Grassbag
4	179585	Guide, Rope, Side	39	189004	Frame, Grassbag
5	132004	Nut, Hex, with Lockwasher Insert 1/4-20	40	188817	Danger Decal
6	66426	Wire, Tie	41	107339X	Bracket Assembly
7	191574	Bolt, Handle 5/16-18 x 2-5/8	57	179783X004	Screw
8	189713X428	Knob, Handle	58	57808	Pulley
9	182810	Control Bar	59	<b>184543</b>	Nut, Hex, Flanged
10	188821	Bolt, Carriage	61	145212	Locknut
11	73930500	Nut, Hex, with Lockwasher Insert 5/16-18 UNC	62	155552	Idle Arm
12	51793	Cotter, Hairpin	63	179719X004	Idle Pulley
13	186052	Spring, Rear Door, LH	64	166043	Shoulder Bolt
14	186053	Spring, Rear Door, RH	65	160829	Rear Door Assembly
16	185855X428	Rear Door Assembly	66	183058X428	Mulcher Door, Multi-Cut
17	184193	Bolt, Rear Door	67	169699X428	Nut, Hex
18	187535	Plug, Mulcher	68	88349	Bracket, Upstop
19	181763	Kit, Housing	76	850733X004	Screw
20	187249X479	Handle Bracket Assembly, Left	77	750634	Washer
21	187250X479	Handle Bracket Assembly, Right	87	851074	Washer, Lock
22	150078	Screw, Hex Washer Head	88	850263	Blade Adapter / Pulley
23	163183	Bolt, Hex Head 5/16-18 x 5/8	89	189179	Debris Shield
24	73800500	Nut, Hex, with Lockwasher Insert 5/16-18	90	188786	Bolt
25	161333	Baffle, Side	91	188040	Mounting Bracket, Debris Shield
26	163409	Screw #12 x 5/8	92	188839X004	Warning Decal (not shown)
27	188986	Skirt, Rear	--	162300	Operator's Manual, English
28	88652	Screw, Hinge 1/4-20 x 1.25	--	172787	Operator's Manual, French
29	183567	Cable, Engine Zone Control	--	172788	Repair Parts Manual, English / French
31	189028	Blade, 21"	--	192194	
34	851084	Bolt, Hex Head			
37	150406	Bolt, Engine			

**NOTE:** All component dimensions given in U.S. inches.  
1 inch = 25.4 mm

# ROTARY LAWN MOWER - - MODEL NUMBER PR7R21 (PR7R21C)



## ROTARY LAWN MOWER - - MODEL NUMBER PR7R21 (PR7R21C)

KEY NO.	PART NO.	DESCRIPTION	KEY NO.	PART NO.	DESCRIPTION
1	189181	Drive Control Assembly	33	83923	Nut, Flangelock 3/8-16
2	188952X428	Control Bar, Drive	34	77400	Hubcap, Mag, Platinum
3	751152	Nut, Hex	35	189180X004	Shaft Assembly, Rear
4	185681	Screw	36	160786X004	Shaft Assembly, Front
5	161537X428	Cover Drive	37	161463	Retainer, Front Shaft
6	750634	Screw, Threaded, Rolled #10-25 x .50	38	163409	Screw #12 x 5/8
7	182212	V-Belt	39	700279	Clip, Retainer
8	132010	Nut, Flangelock, Zinc Plated 3/8-16	40	172297	Wheel 8 x 2
9	<b>189048</b>	Pulley Assembly	41	187530	* Case, Lower
10	183506	Bearing, Ball	42	187531	* Case, Upper
11	187653	Screw	44	187533	Shaft, Input
12	183508	Seal, Output Shaft	45	183505	Wire, Formed
13	188645	Gear Case Assembly, Complete	46	183509	Washer
16	161584	Rod, Connecting	47	183513	Screw
17	161602	Spring, Extension	48	183514	Seal, Input Shaft
18	188953X004	Spring, Selector	49	175103	Pinion, Gear
19	189808X421	Knob, Selector Spring	50	175102	Retainer, Drive, RH
20	12000022	E-Ring 7/8	51	175098	Pawl
21	163365	Bearing, Support	52	188291	Spring, Torsion
22	169911	Bearing, Ball	53	175104	Disc, Drive
23	161118X004	Retainer, Drive Assembly	54	184172	Seal, Friction
24	57808	Screw, Tapping, Hex Head 1/4-20 x .75	55	188330	Pinion Assembly, RH
25	183511	Bushing	56	188331	Pinion Assembly, LH
26	191249	Shaft, Output	57	67725	Washer
28	12000058	E-Ring 7/16	58	175105	Retainer, Drive, LH
29	189403	Cover, Dust, Wheel			
30	187532	Gear, 24 Teeth			
31	145212	Nut, Flangelock			
32	180764	Wheel 9 x 2			

\* Use Dow Corning #709 to reseal Gear Case Halves.

**NOTE:** All component dimensions given in U.S. inches.  
1 inch = 25.4 mm