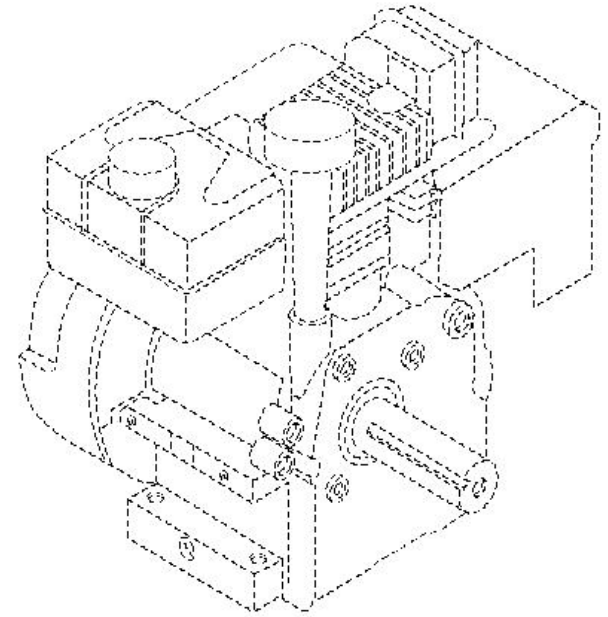
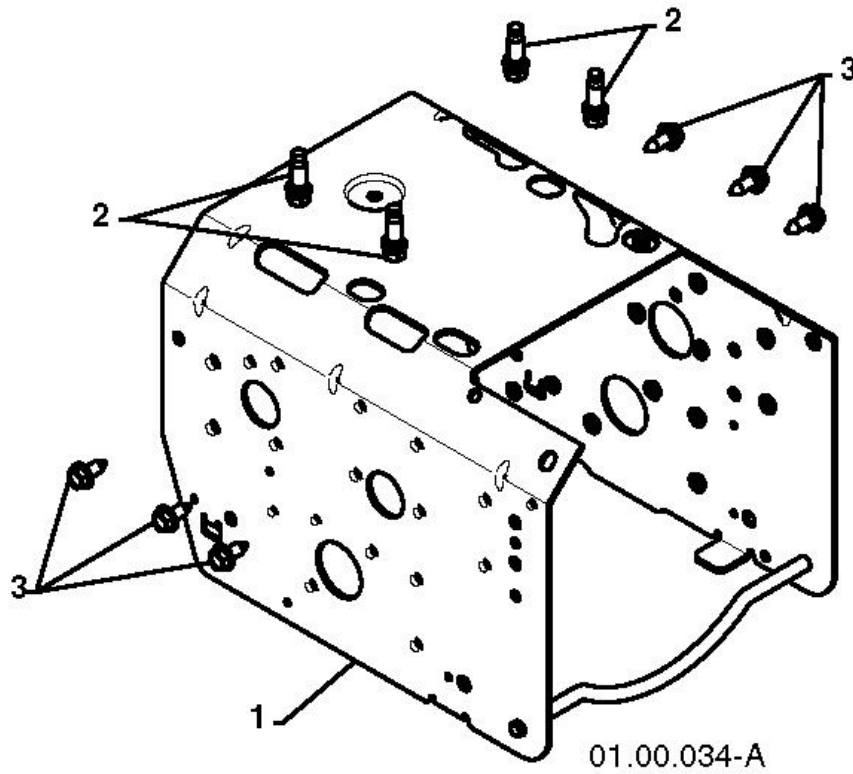
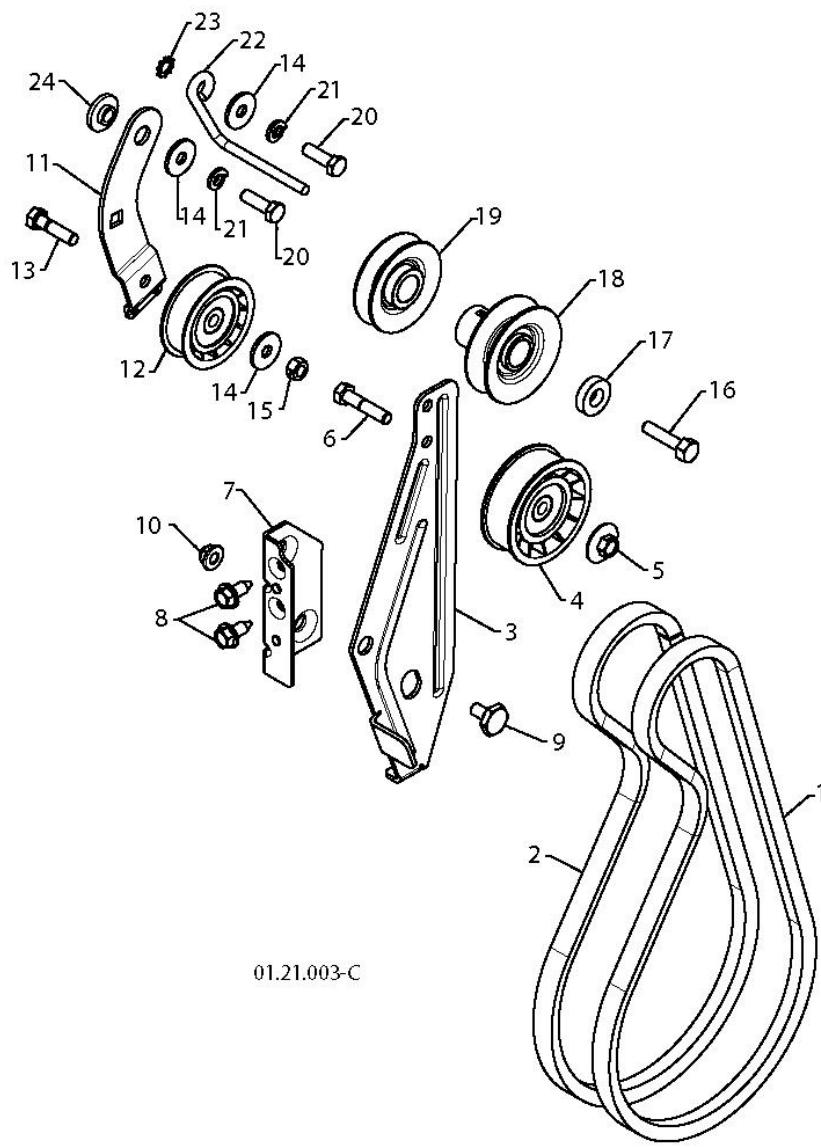


"CHASSIS, ENGINE & PULLEYS"



Ref	Part No.	Description	QTY	KIT
	000 00 00-00	W/O DESCRIPTION	1	
		B&S 15C114-1465-E8 FOR SERVICE & PARTS 1-800-233-3723		
1	532 42 92-75	FRAME	1	
2	532 15 04-06	BOLT	1	
3	532 42 88-67	BOLT	1	

"CHASSIS, ENGINE & PULLEYS"

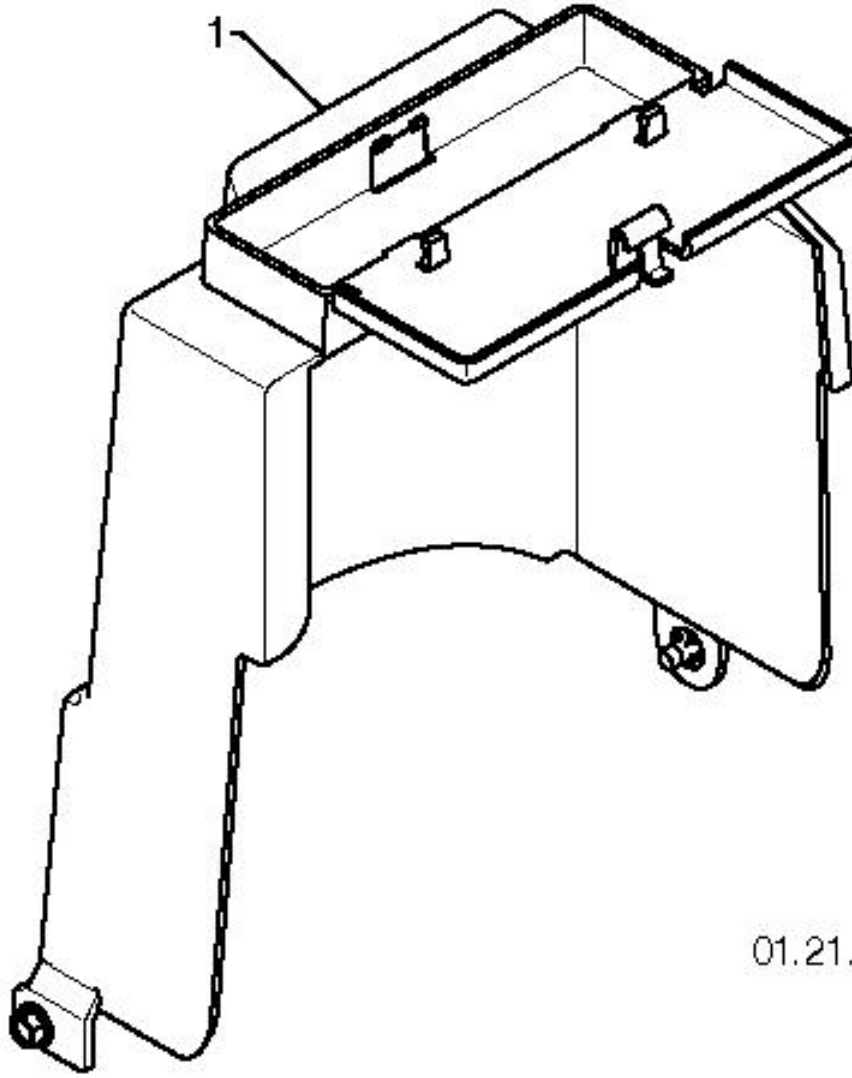


01.21.003-C

Ref	Part No.	Description	QTY	KIT
1	532 40 80-07	BELT	1	
2	532 41 97-44	BELT	1	
3	532 43 58-02	ARM	1	
4	532 18 05-23	PULLEY	1	
5	532 42 65-89	NUT	1	
6	874 78 05-24	BOLT	1	
7	532 43 58-01	BRACKET	1	
8	532 42 88-67	BOLT	1	
9	532 42 42-97	BOLT	1	
10	532 75 11-53	LOCKNUT 5/16-18 RL550HVA	1	
11	532 18 77-86	ARM, IDLER	1	
12	532 18 05-22	PULLEY	1	
13	874 78 05-20	BOLT	1	
14	532 05 92-89	WASHER	1	
15	873 80 05-00	LOCK NUT	1	
16	532 85 10-84	SCREW	1	
17	532 40 00-26	WASHER	1	
18	532 42 64-91	PULLEY	1	

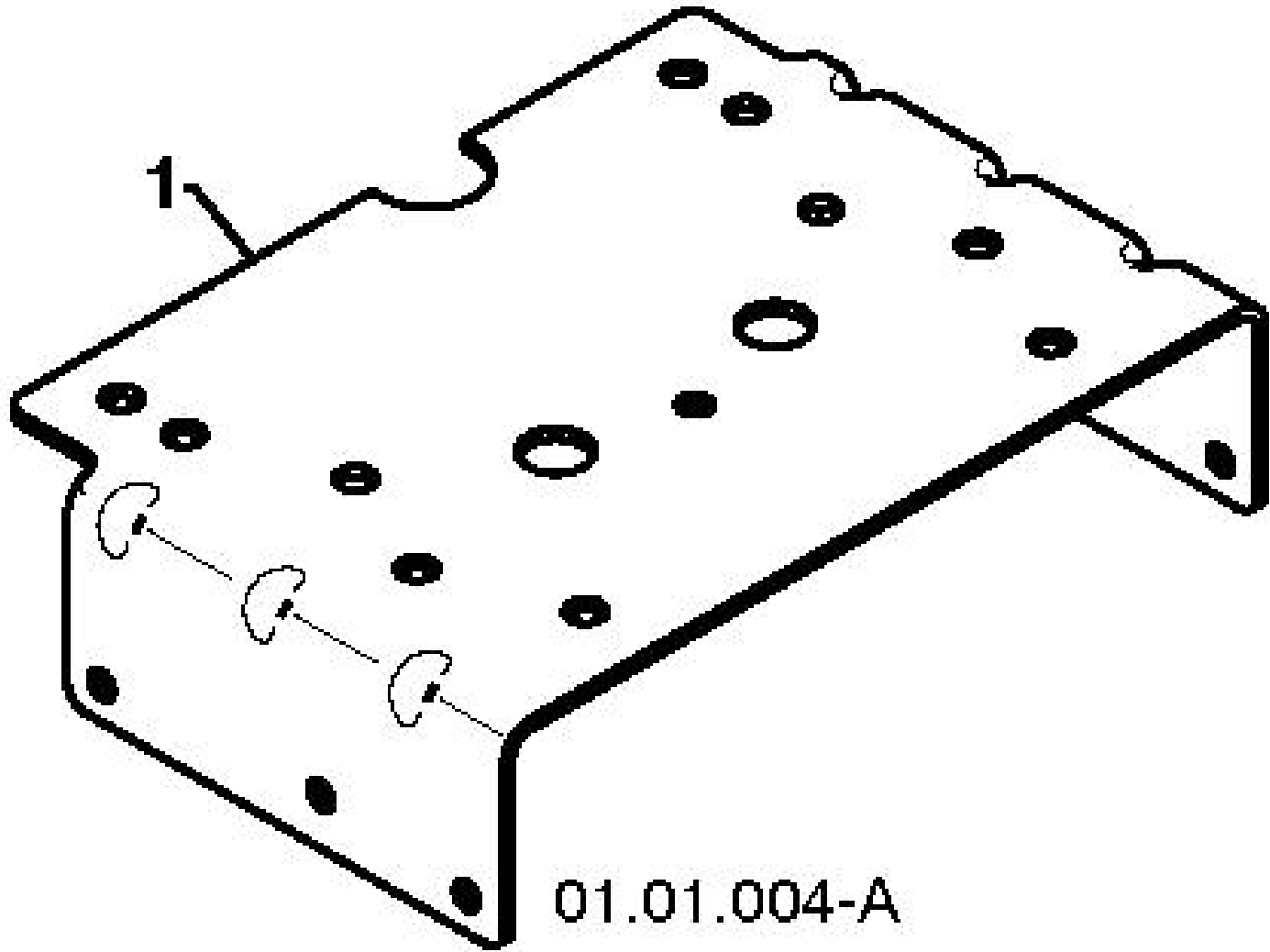
Ref	Part No.	Description	QTY	KIT
19	532 42 64-90	PULLEY	1	
20	874 61 05-16	SCREW	1	
21	810 04 05-00	WASHER	1	
22	532 15 54-52	GUIDE, BELT	1	
23	811 05 05-00	WASHER	1	
24	532 17 53-31	BUSHING	1	

"CHASSIS, ENGINE & PULLEYS"



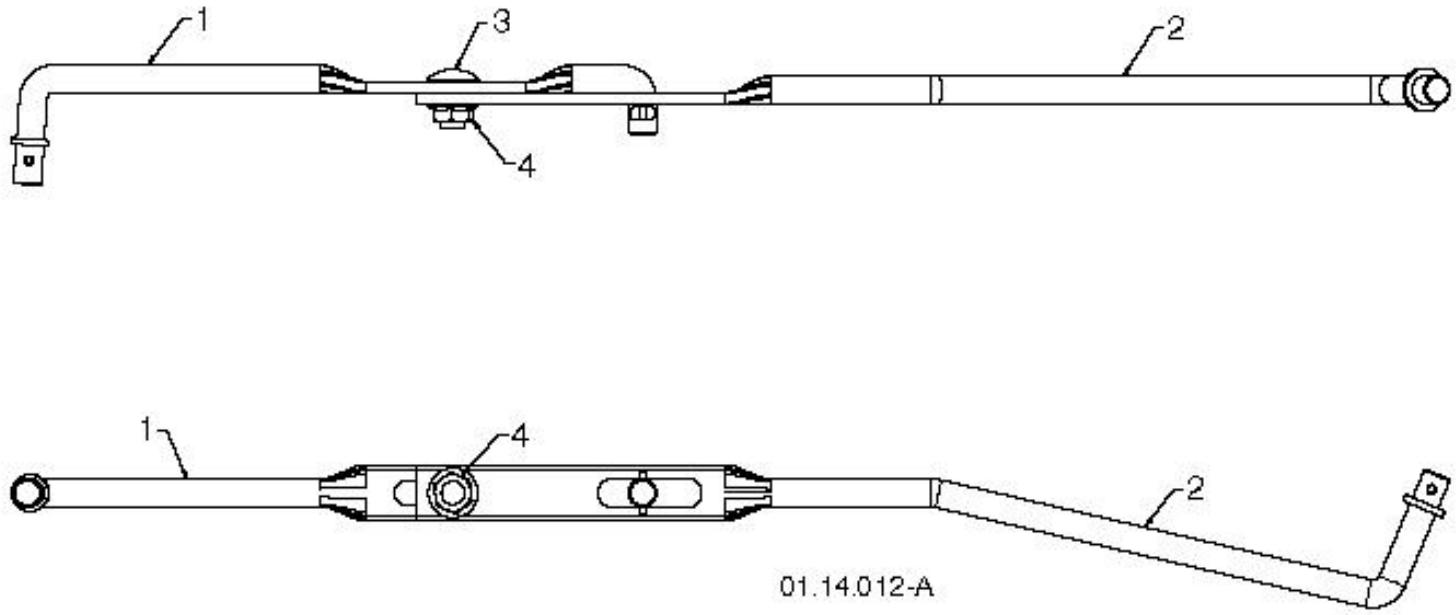
01.21.014-C

Ref	Part No.	Description	QTY	KIT
1	532 42 86-84	COVER	1	



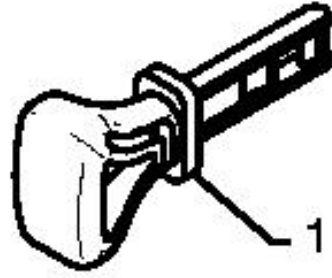
Ref	Part No.	Description	QTY	KIT
1	532 43 63-10	ENGINE PLATE	1	

ACCESSORIES



Ref	Part No.	Description	QTY	KIT
1	532 18 04-45	LEVER	1	
2	532 18 77-16	ROD	1	
3	872 27 05-05	BOLT	1	
4	532 15 53-77	NUT	1	

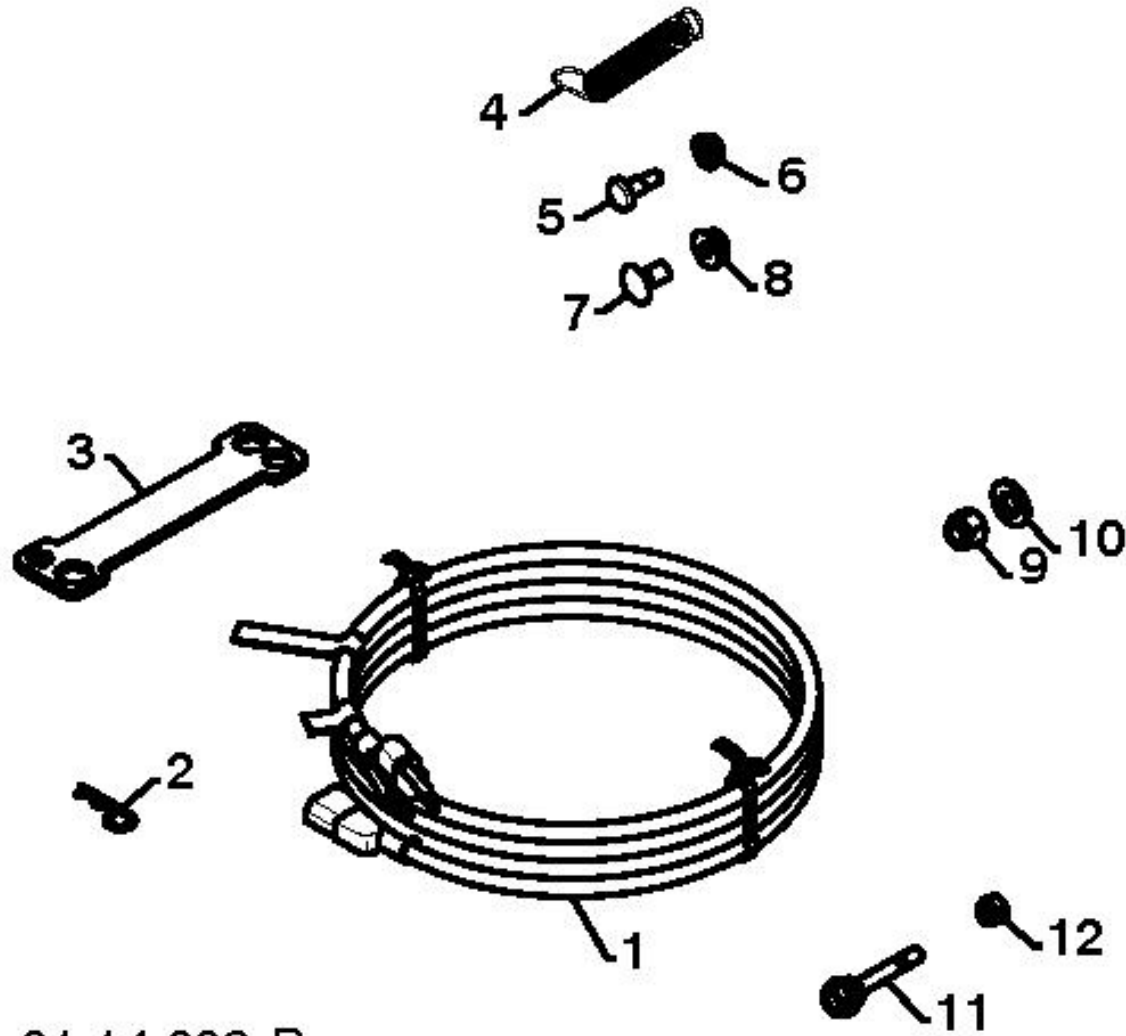
ACCESSORIES



01.14.009-A

Ref	Part No.	Description	QTY	KIT
1	532 19 30-71	KEY	1	

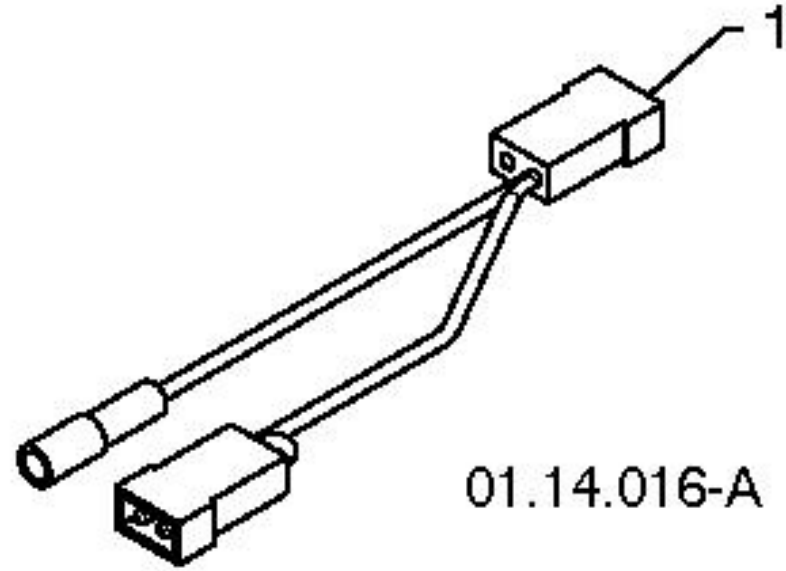
ACCESSORIES



01.14.003-B

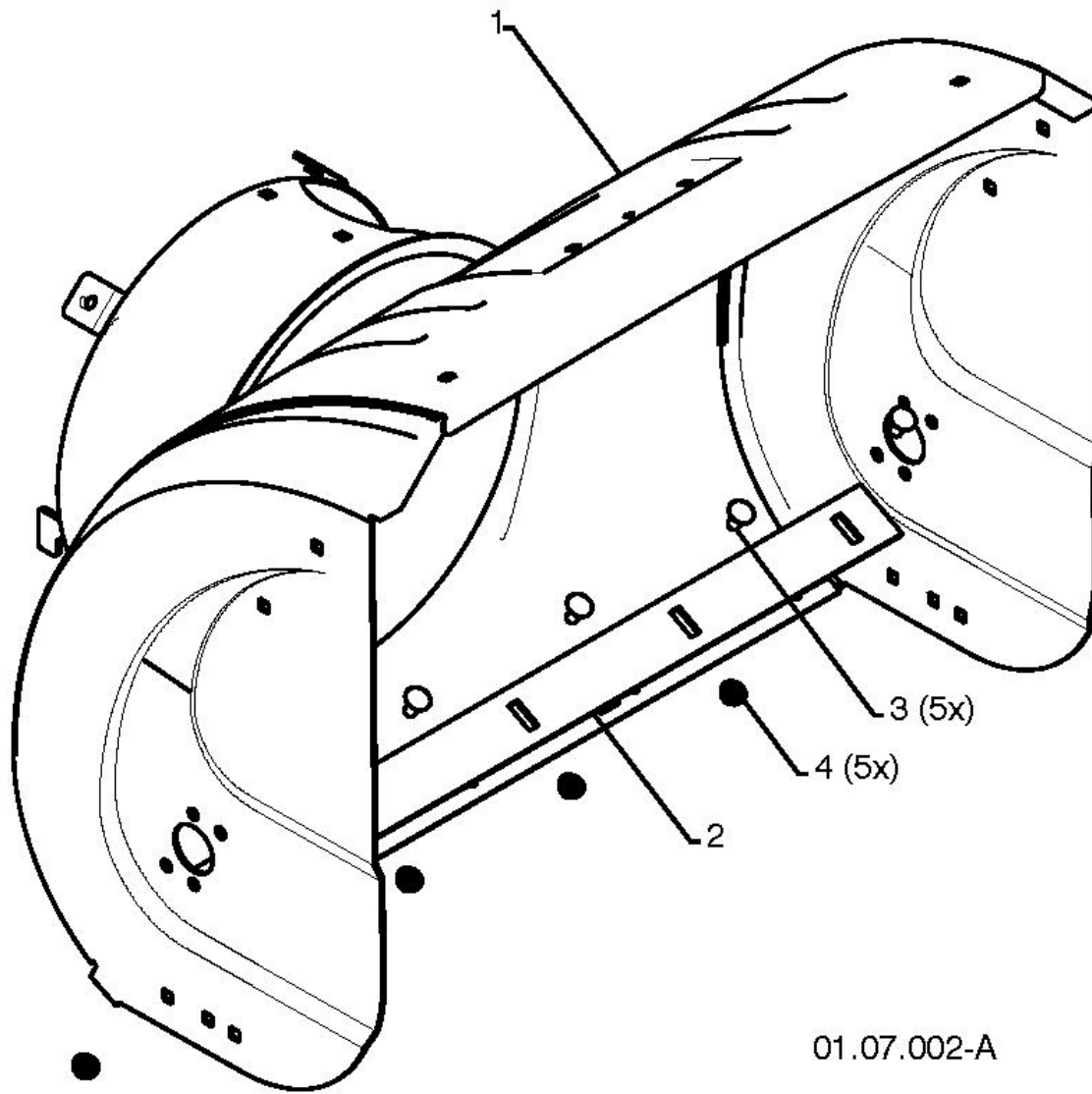
Ref	Part No.	Description	QTY	KIT
1	532 19 85-63	POWER CORD	1	
2	532 16 96-75	PIN RETAINING SCREW	1	
3	532 42 91-12	WRENCH	1	
4	532 18 45-05	SPRING	1	
5	532 17 98-29	BOLT	1	
6	532 19 17-30	NUT	1	
7	872 25 05-05	BOLT	1	
8	532 75 11-53	LOCKNUT 5/16-18 RL550HVA	1	
9	873 80 06-00	NUT	1	
10	819 13 13-16	WASHER	1	
11	532 19 20-90	BOLT	1	
12	873 80 04-00	NUT	1	

ACCESSORIES



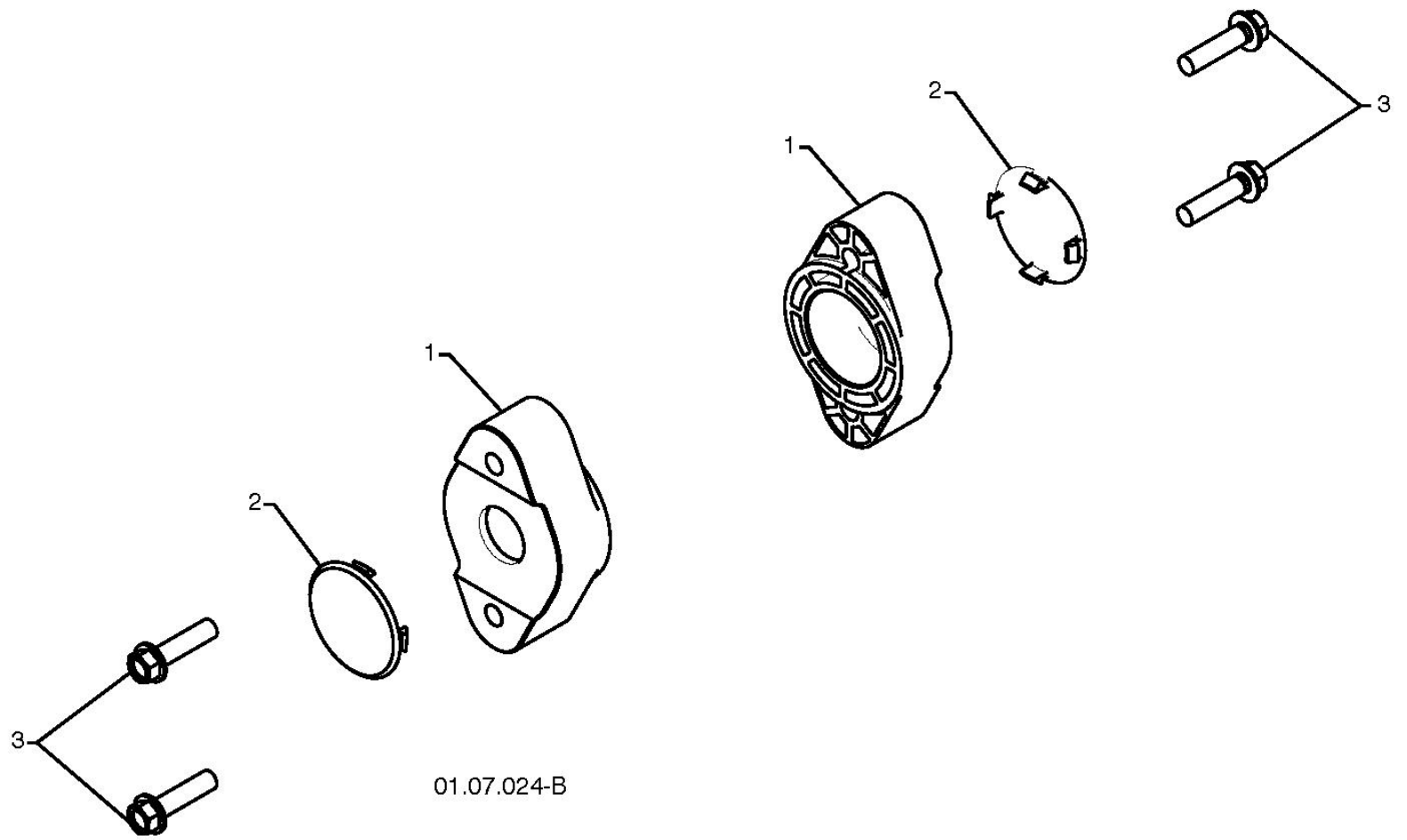
Ref	Part No.	Description	QTY	KIT
1	532 43 58-40	HARNESS	1	

AUGER HOUSING & IMPELLER



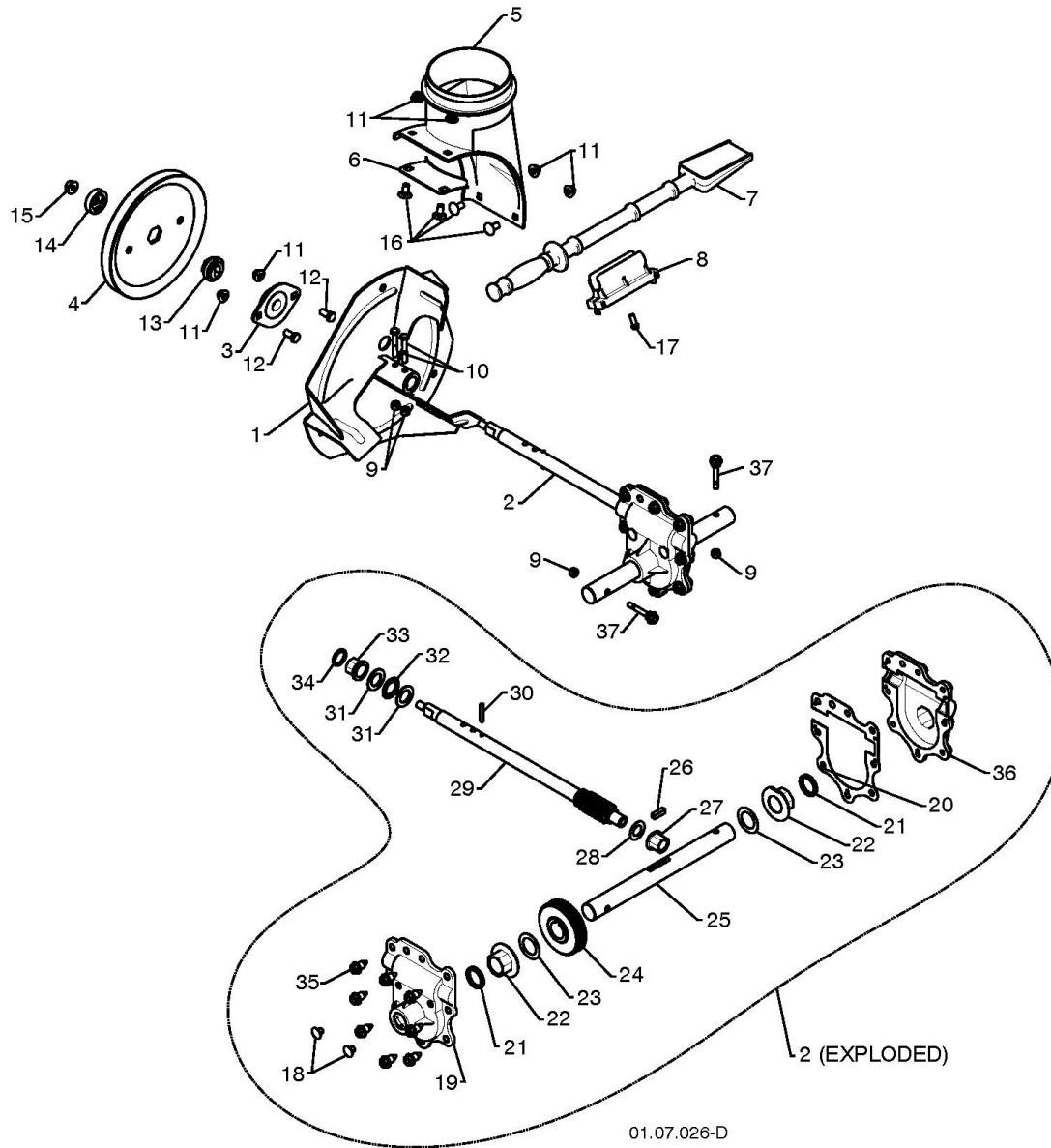
Ref	Part No.	Description	QTY	KIT
1	532 41 52-71	HOUSING	1	
2	532 43 58-53	BAR	1	
3	872 27 05-05	BOLT	1	
4	532 15 53-77	NUT	1	

AUGER HOUSING & IMPELLER



Ref	Part No.	Description	QTY	KIT
1	532 42 04-78	BEARING	1	
2	532 41 19-39	PLUG	1	
3	532 17 95-82	SCREW	1	

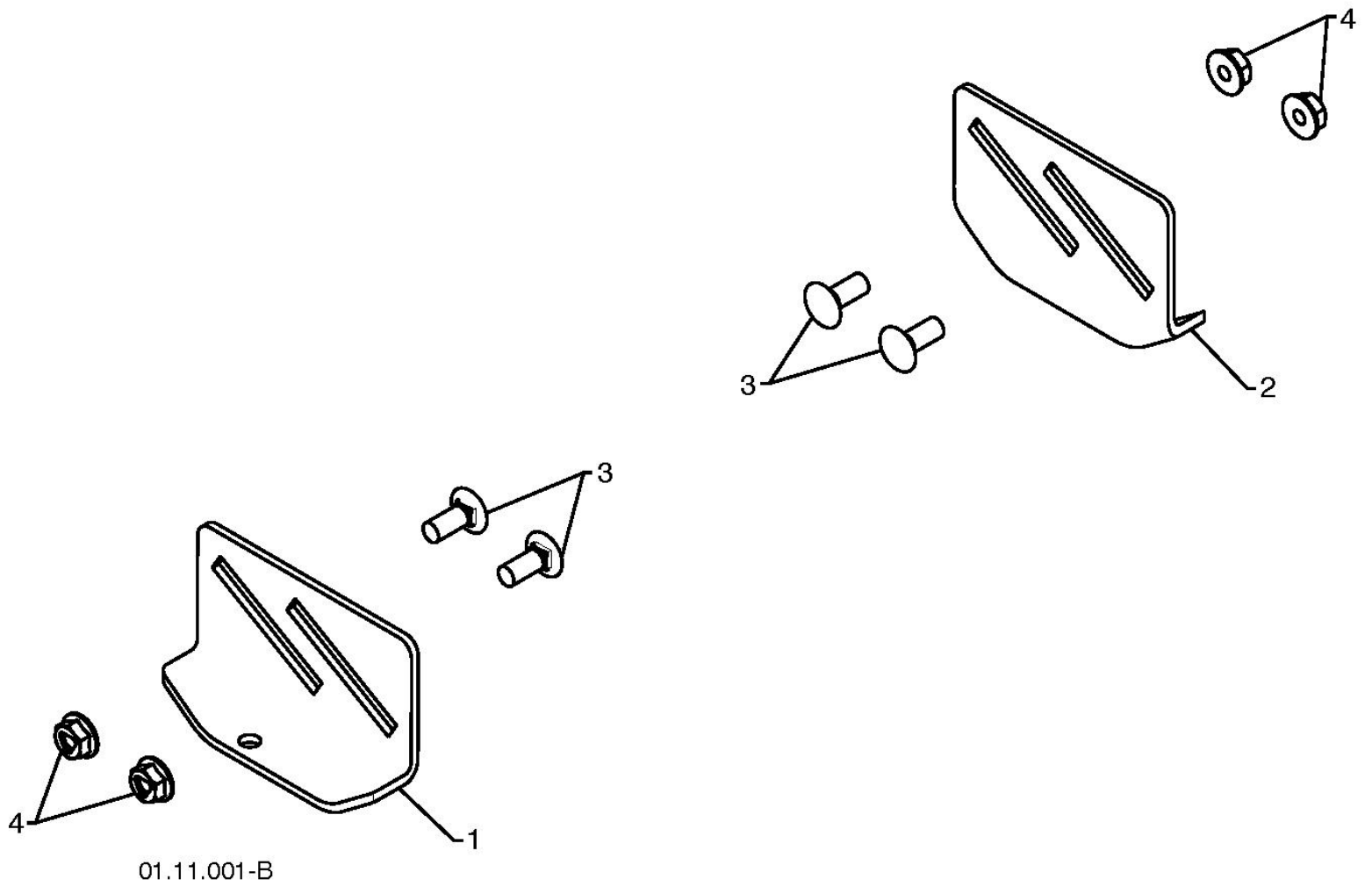
AUGER HOUSING & IMPELLER



Ref	Part No.	Description	QTY	KIT
1	532 43 57-75	IMPELLER	1	
2	532 42 71-48	GEARBOX ASSEMBLY	1	
3	532 18 89-09	BEARING	1	
4	532 42 71-46	PULLEY	1	
5	532 17 53-22	DEFLECTOR	1	
6	532 43 62-36	BRACKET	1	
7	532 19 21-99	TOOL.CLEAN.OUT	1	
8	532 40 54-00	CLAMP	1	
9	873 80 04-00	NUT	1	
10	874 78 04-26	SCREW	1	
11	532 42 79-42	NUT	1	
12	532 16 31-83	BOLT	1	
13	532 42 71-45	HUB	1	
14	532 42 71-54	SLEEVE	1	
15	873 90 06-00	NUT	1	
16	532 18 03-55	BOLT	1	
17	532 19 41-89	SCREW	1	
18	532 40 77-60	PLUG	1	

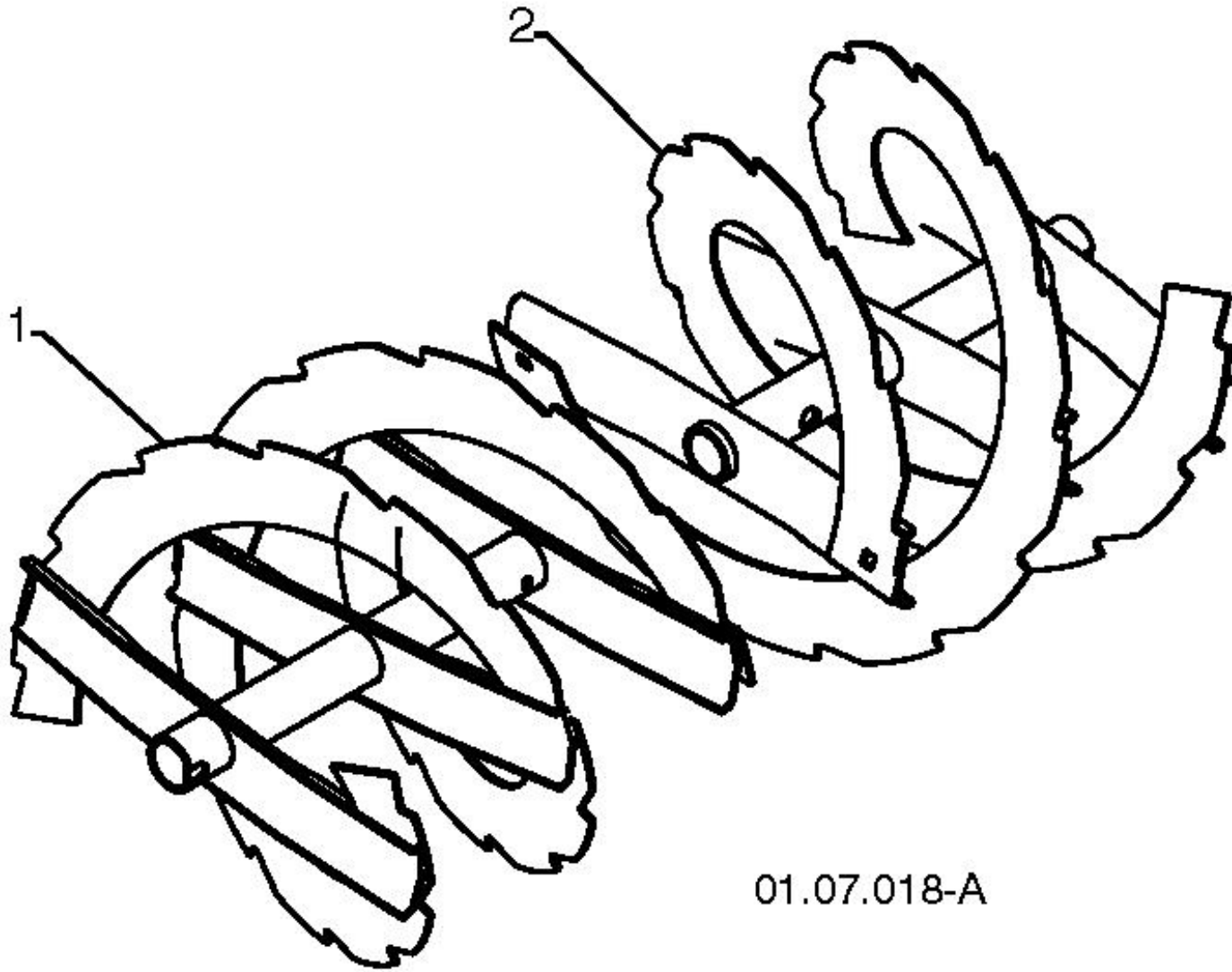
Ref	Part No.	Description	QTY	KIT
19	532 42 73-02	COVER	1	
20	532 42 73-45	GASKET	1	
21	532 40 77-70	SEALING	1	
22	532 40 77-62	BUSHING	1	
23	532 17 46-97	WASHER	1	
24	532 40 77-63	GEAR	1	
25	532 40 77-64	SHAFT	1	
26	532 18 92-82	KEY	1	
27	532 40 77-58	BUSHING	1	
28	532 17 46-83	WASHER	1	
29	532 42 71-47	SHAFT	1	
30	532 18 42-05	PIN	1	
31	532 17 46-81	WASHER	1	
32	532 17 46-84	BEARING	1	
33	532 40 77-69	BUSHING	1	
34	532 40 77-68	O-RING	1	
35	532 40 77-67	SCREW	1	
36	532 42 73-17	COVER	1	
37	532 19 20-90	BOLT	1	

AUGER HOUSING & IMPELLER



Ref	Part No.	Description	QTY	KIT
1	532 43 61-22	SKID PLATE LH	1	
2	532 43 61-25	SKID PLATE RH	1	
3	872 27 05-06	BOLT	1	
4	532 75 11-53	LOCKNUT 5/16-18 RL550HVA	1	

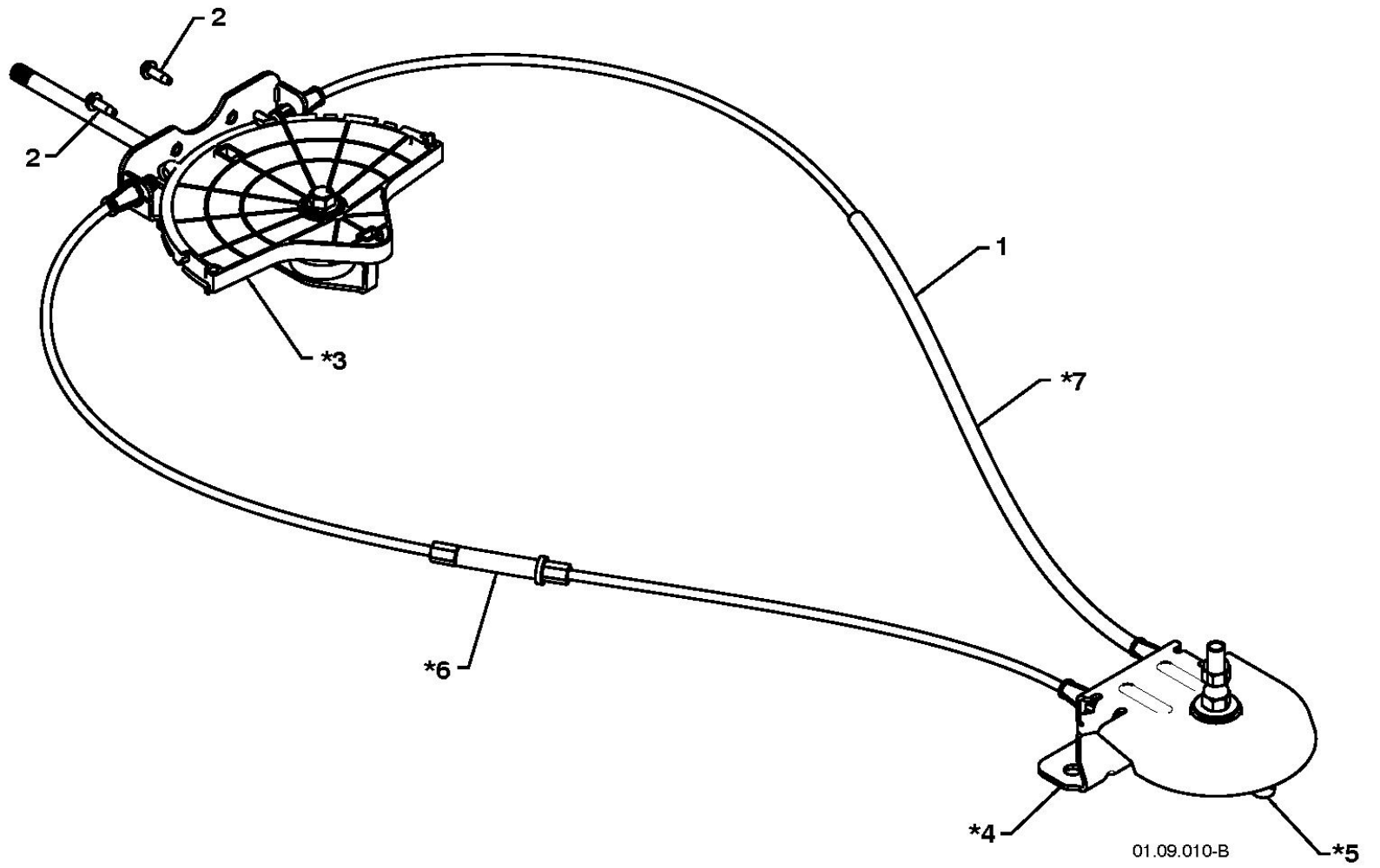
AUGER HOUSING & IMPELLER



01.07.018-A

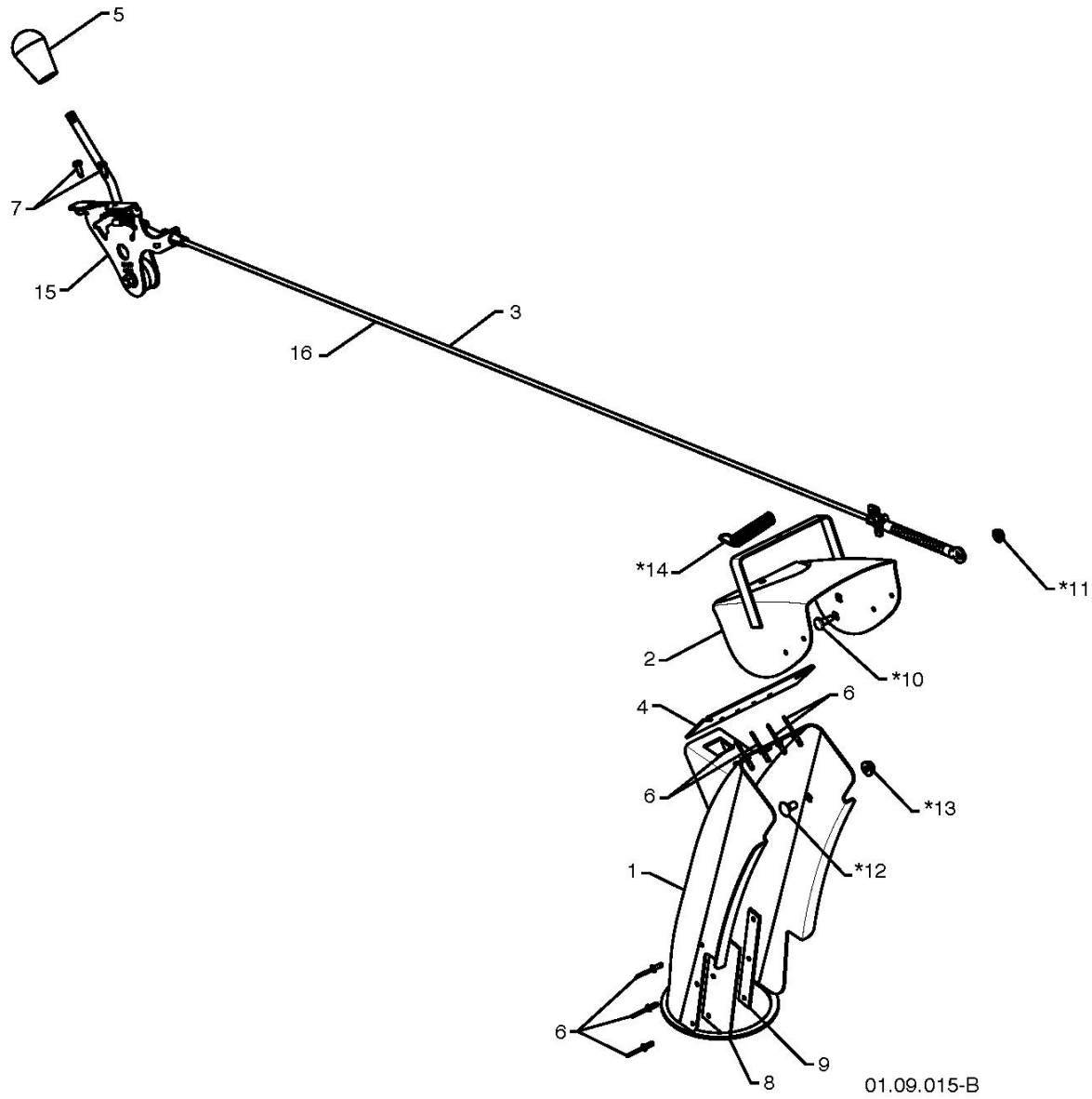
Ref	Part No.	Description	QTY	KIT
1	532 43 70-68	AUGER	1	
2	532 43 70-67	AUGER	1	

CONTROL PANEL & DISCHARGE CHUTE



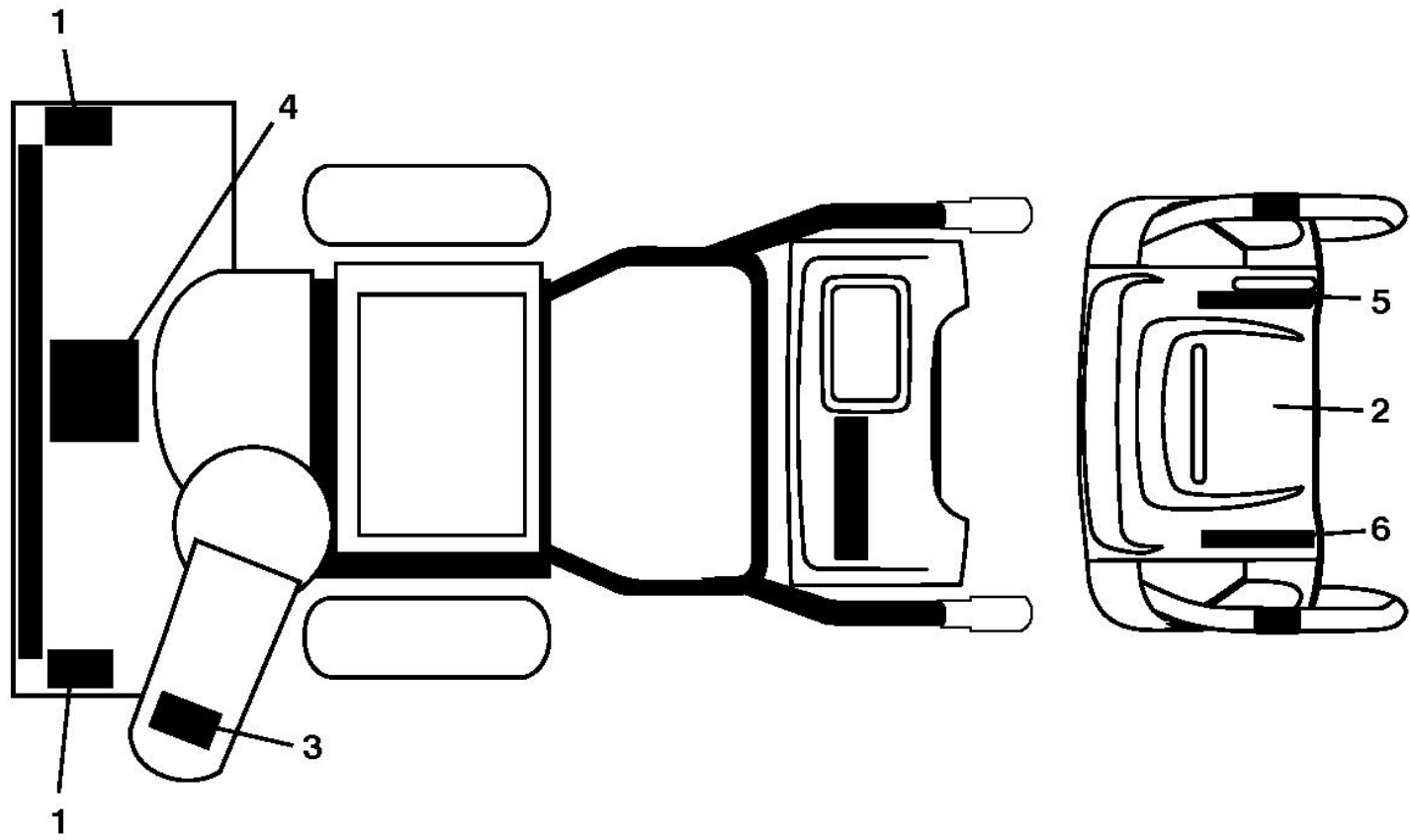
Ref	Part No.	Description	QTY	KIT
1	532 42 82-72	LEVER	1	
2	817 50 10-10	SCREW	1	
3	532 42 06-78	BRACKET	1	
4	532 40 59-32	BRACKET	1	
5	532 42 06-75	PULLEY	1	
6	532 42 82-73	CABLE ASSY	1	
7	532 42 83-10	CABLE ASSY	1	

CONTROL PANEL & DISCHARGE CHUTE



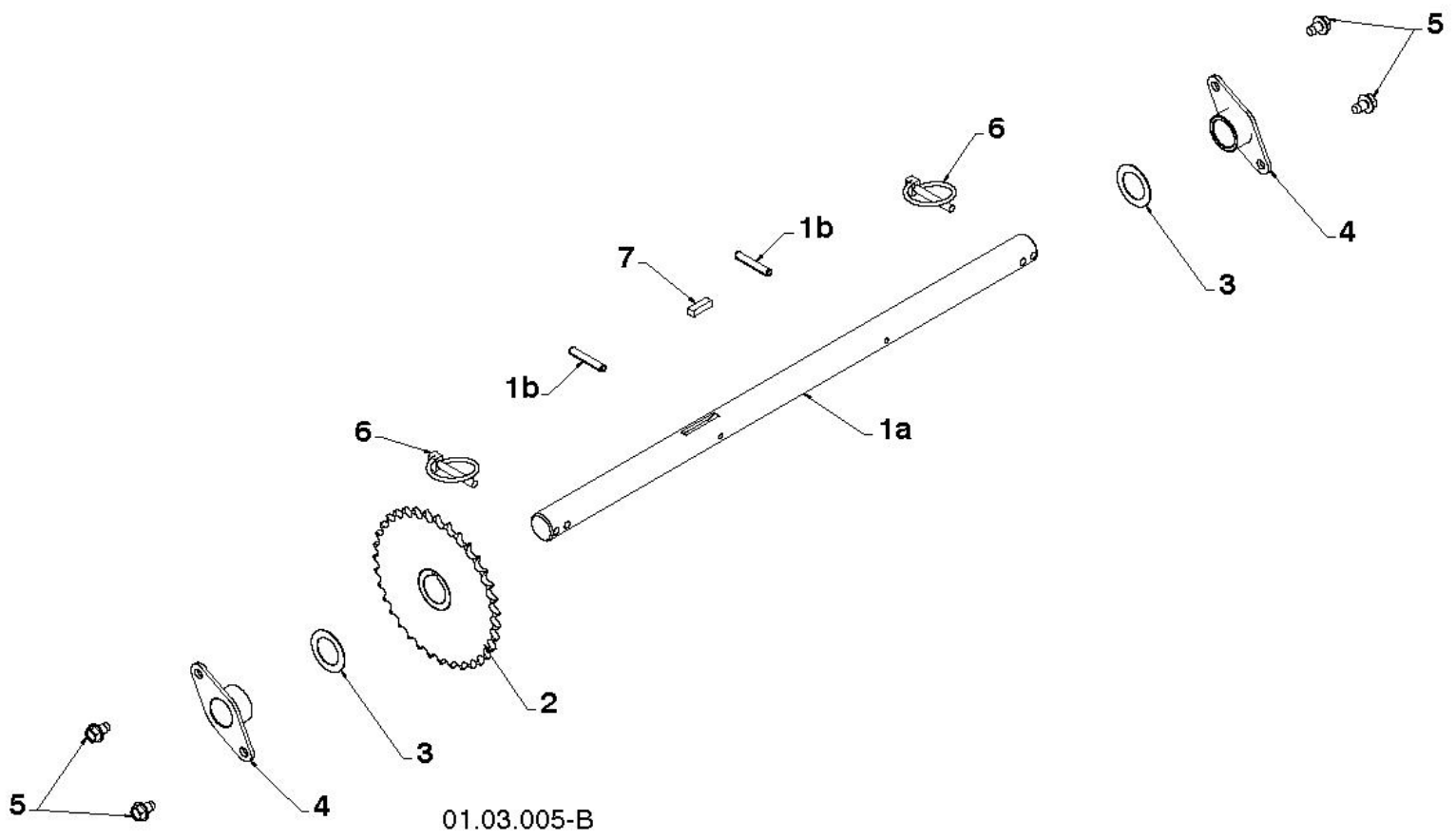
Ref	Part No.	Description	QTY	KIT
1	532 43 63-25	CHUTE	1	
2	532 18 45-11	DEFLECTOR ASSEMBLY	1	
3	532 42 06-73	CONTROL	1	
4	532 42 03-25	SEAL	1	
5	532 41 42-80	KNOB	1	
6	532 12 84-15	RIVET	1	
7	817 50 10-10	SCREW	1	
8	532 43 03-24	SHIELD	1	
9	532 43 57-76	SHIELD	1	
10	532 17 98-29	BOLT	1	
11	532 19 17-30	NUT	1	
12	872 25 05-05	BOLT	1	
13	532 75 11-53	LOCKNUT 5/16-18 RL550HVA	1	
14	532 18 45-05	SPRING	1	
15	532 42 06-79	CONTROL UNIT	1	
16	532 42 06-72	CONTROL CABLE	1	

DECALS



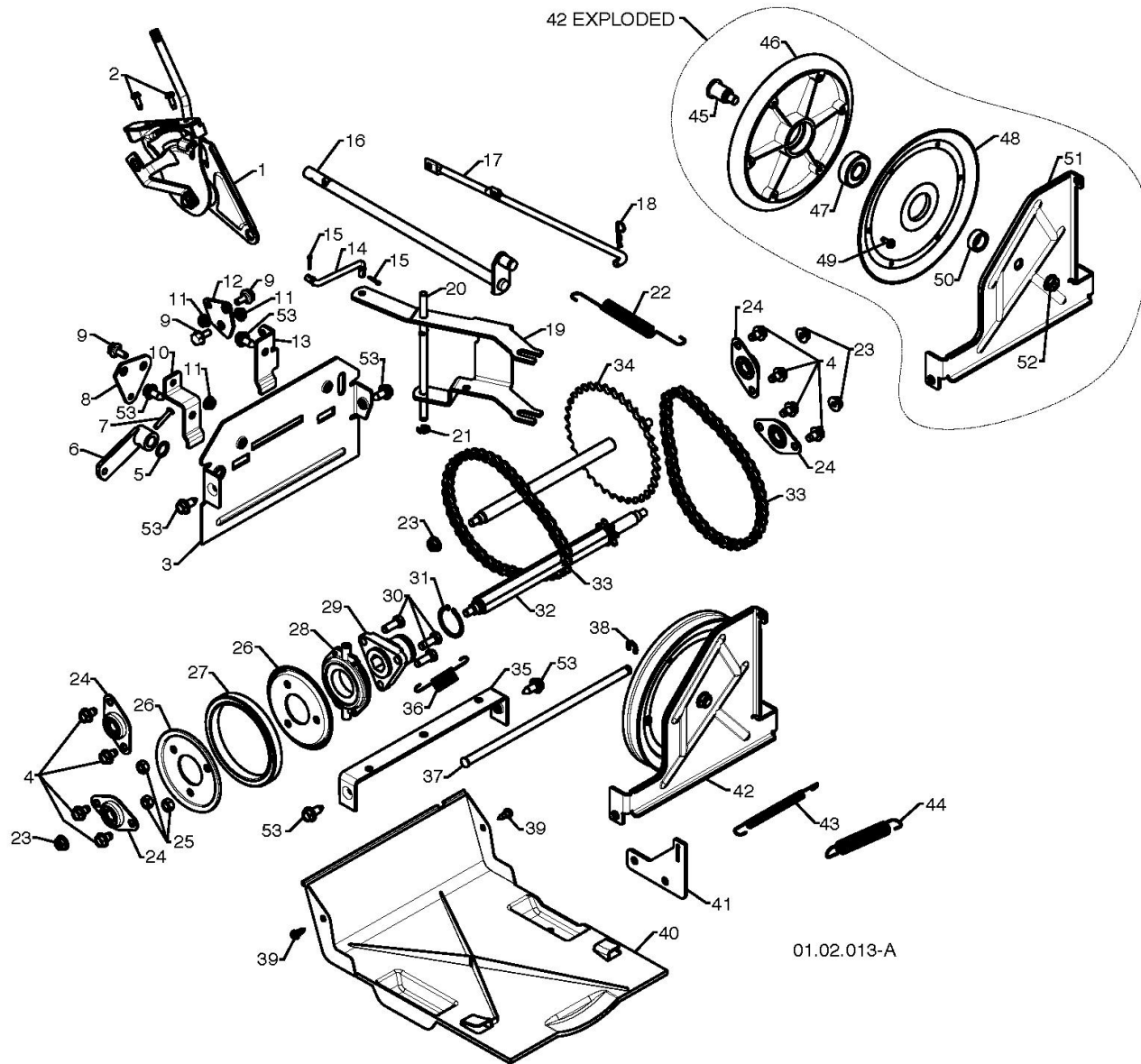
Ref	Part No.	Description	QTY	KIT
1	532 18 10-37	DECAL	1	
3	532 18 10-35	DECAL	1	
4	532 18 10-42	DECAL	1	
2	532 18 10-33	DECAL	1	
6	532 42 95-90	DECAL	1	
5	532 42 95-91	DECAL	1	
	532 17 45-72	DECAL	1	
		NOT SHOWN		

DRIVE



Ref	Part No.	Description	QTY	KIT
1	532 18 82-26	AXLE	1	
1a	532 17 93-52	SHAFT	1	
1b	532 18 42-06	PIN	1	
2	532 40 26-91	GEAR WHEEL	1	
3	532 17 46-97	WASHER	1	
4	532 17 98-30	BEARING	1	
5	817 49 05-08	SCREW	1	
6	532 15 54-43	PIN	1	
7	532 18 92-82	KEY	1	

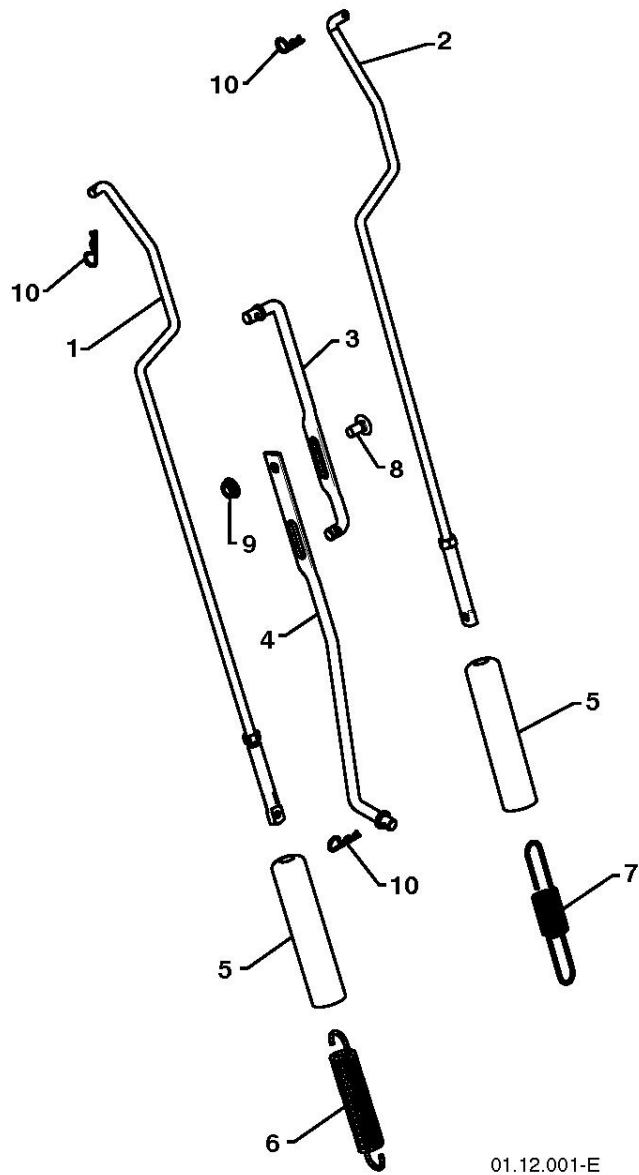
DRIVE



Ref	Part No.	Description	QTY	KIT
1	532 19 88-75	LEVER	1	
2	817 50 10-10	SCREW	1	
3	532 41 54-31	PLATE	1	
4	817 49 05-08	SCREW	1	
5	532 05 70-79	WASHER	1	
6	532 40 54-85	ARM	1	
7	532 19 85-80	PIN	1	
8	532 43 70-81	PLATE	1	
9	532 40 28-81	BOLT	1	
10	532 43 57-97	PLATE	1	
11	532 19 17-30	NUT	1	
12	532 43 70-80	PLATE	1	
13	532 43 57-96	PLATE	1	
14	532 18 71-01	LINK	1	
15	532 70 02-79	CLIPS	1	
16	532 42 75-42	SHAFT	1	
17	532 40 25-68	ROD	1	
18	532 16 96-75	PIN RETAINING SCREW	1	

Ref	Part No.	Description	QTY	KIT
19	532 40 17-32	LEVER	1	
20	532 40 23-10	PIVOT	1	
21	812 00 00-36	RETAINING RING	1	
22	532 40 28-78	SPRING	1	
23	532 75 11-53	LOCKNUT 5/16-18 RL550HVA	1	
24	532 40 89-81	BEARING	1	
25	873 93 05-00	NUT	1	
26	532 43 57-89	PLATE	1	
27	532 17 98-31	RING	1	
28	532 17 53-44	BEARING	1	
29	532 17 86-13	HUB	1	
30	874 76 05-14	BOLT	1	
31	812 00 00-12	RETAINER RING	1	
32	532 40 21-87	SHAFT	1	
33	532 40 16-19	CHAIN	1	
34	532 41 72-34	SPROCKET	1	
35	532 43 59-55	BRACKET	1	
36	532 18 01-35	SPRING	1	
37	532 40 26-52	PIVOT	1	
38	532 42 82-88	E-RING	1	
39	532 18 44-71	SCREW	1	
40	532 41 08-77	PLATE	1	
41	532 43 57-72	SPRING	1	
42	532 40 26-89	PLATE	1	
43	532 41 45-57	SPRING	1	
44	532 17 88-28	SPRING	1	
45	532 40 25-04	SHAFT	1	
46	532 40 18-20	PLATE	1	
47	532 19 87-91	BALL BEARING	1	
48	532 40 23-93	PULLEY	1	
49	817 54 10-08	SCREW	1	
50	532 40 25-11	SPACER	1	
51	532 43 59-53	PLATE	1	
52	532 13 20-10	NUT	1	
53	532 42 88-67	BOLT	1	

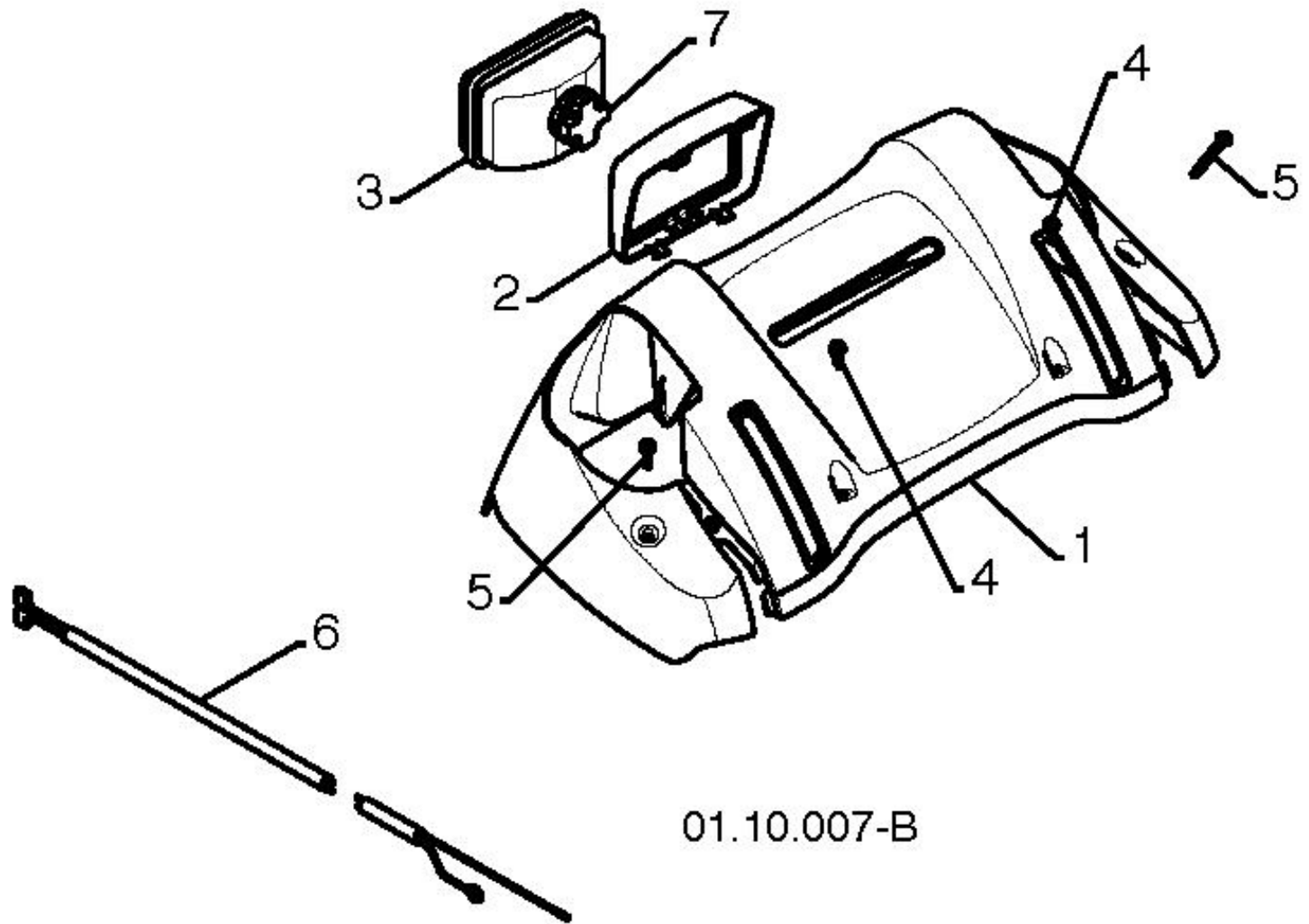
HANDLE



01.12.001-E

Ref	Part No.	Description	QTY	KIT
1	532 18 04-80	ROD	1	
2	532 40 57-40	ROD	1	
3	532 18 04-45	LEVER	1	
4	532 18 77-16	ROD	1	
5	532 18 04-47	SLEEVE, SPRING	1	
6	532 17 86-69	SPRING	1	
7	532 18 09-26	SPRING	1	
8	872 27 05-05	BOLT	1	
9	532 15 53-77	NUT	1	
10	532 16 96-75	PIN RETAINING SCREW	1	

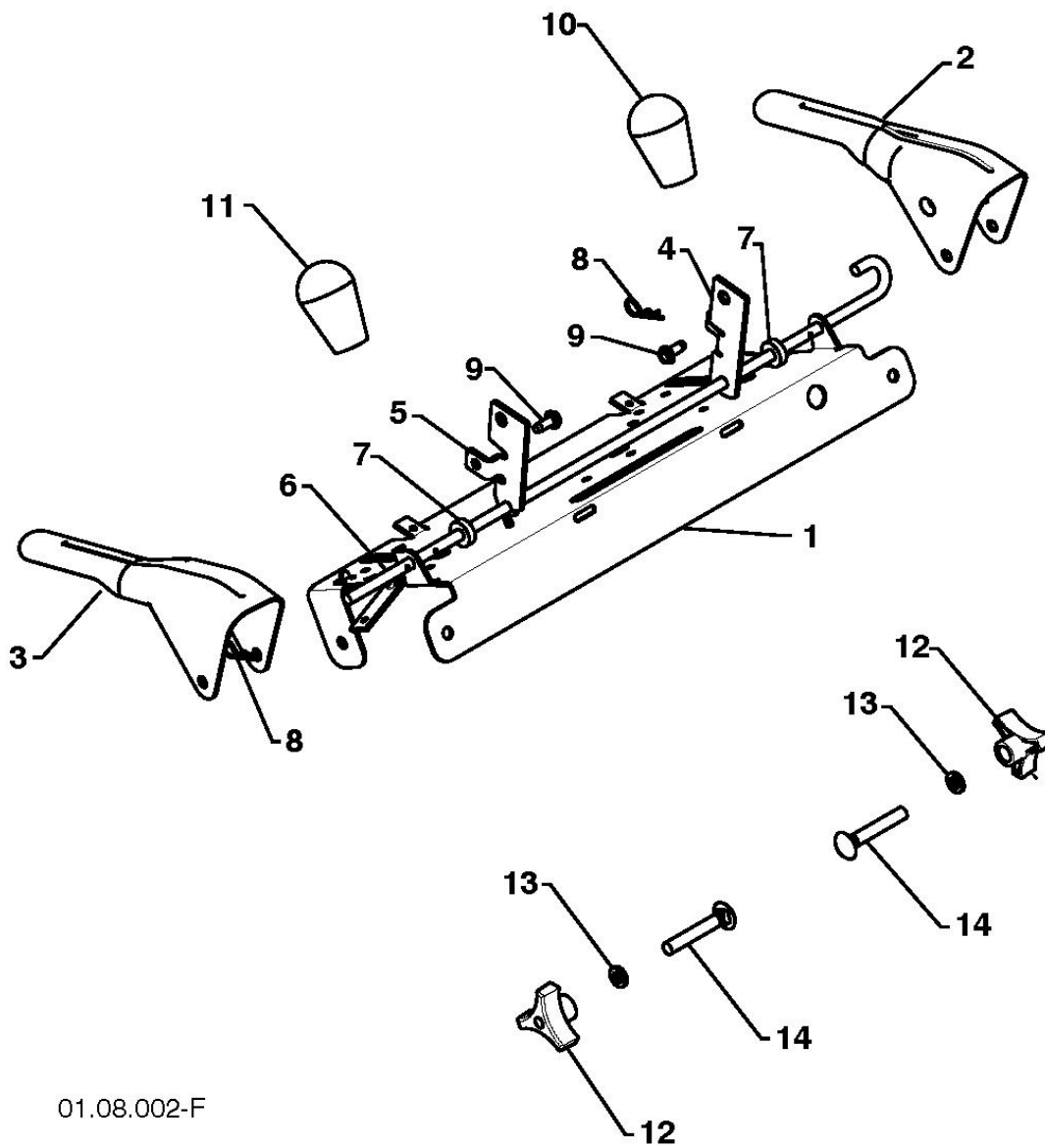
HANDLE



01.10.007-B

Ref	Part No.	Description	QTY	KIT
1	532 18 29-06	CONSOLE, PANEL	1	
2	532 17 86-68	FRAME	1	
3	532 18 09-27	HEADLAMP	1	
4	532 18 44-71	SCREW	1	
5	532 17 52-62	PAN HEAD TAPPING SCREW	1	
6	532 17 87-70	WIRING	1	
7	532 18 37-84	FLOOD BULB	1	

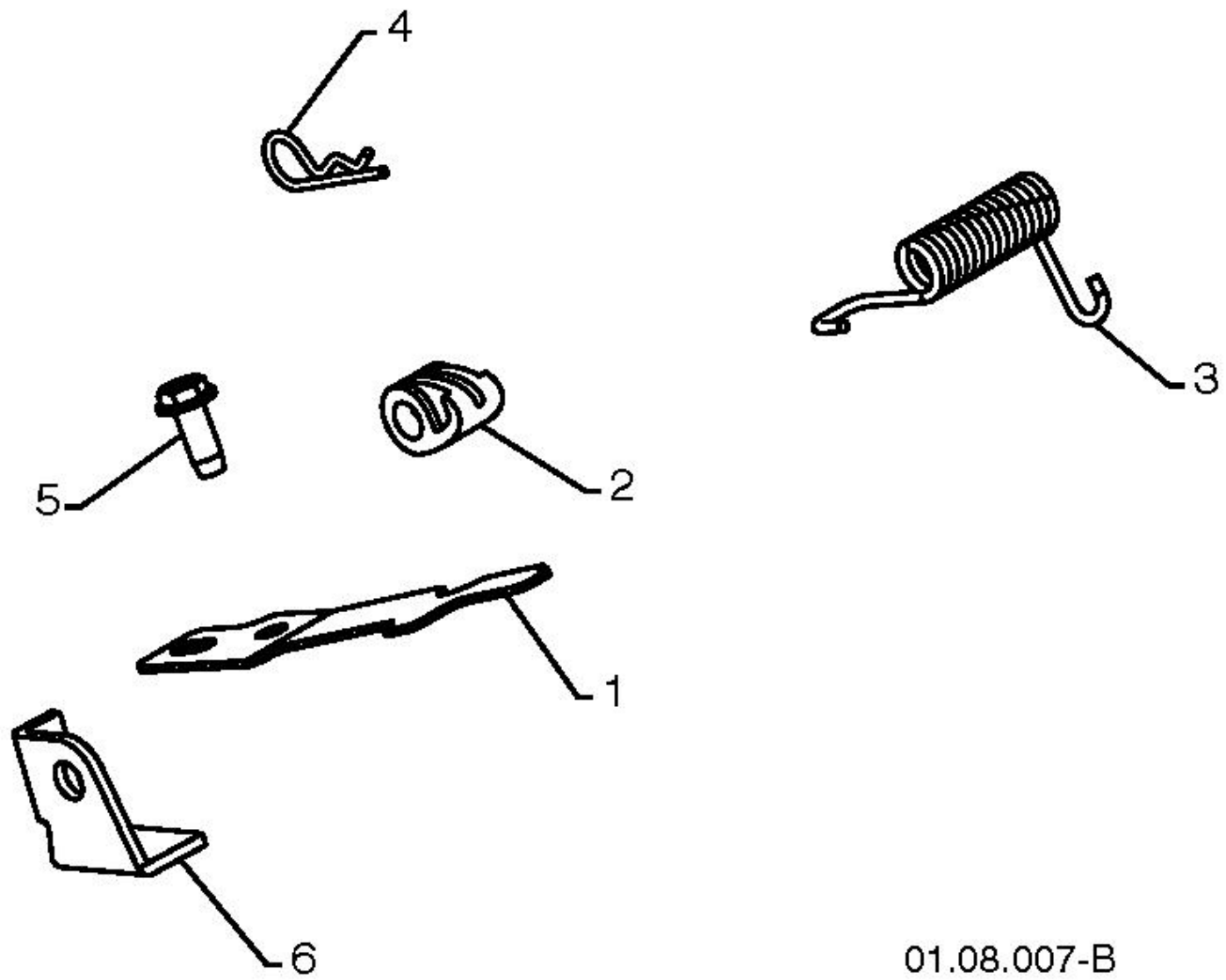
HANDLE



01.08.002-F

Ref	Part No.	Description	QTY	KIT
1	532 43 58-04	CONTROL PANEL	1	
2	532 43 61-10	CONTROL LEVER LH	1	
3	532 43 61-11	CONTROL LEVER RH	1	
4	532 41 55-46	ARM	1	
5	532 42 90-98	ARM	1	
6	532 41 26-77	ROD	1	
7	532 42 16-13	SPACER	1	
8	532 16 96-75	PIN RETAINING SCREW	1	
9	817 06 04-10	SCREW	1	
10	532 41 42-80	KNOB	1	
11	532 41 42-81	KNOB	1	
12	532 17 88-99	KNOB	1	
13	819 13 13-16	WASHER	1	
14	872 12 06-18	BOLT	1	

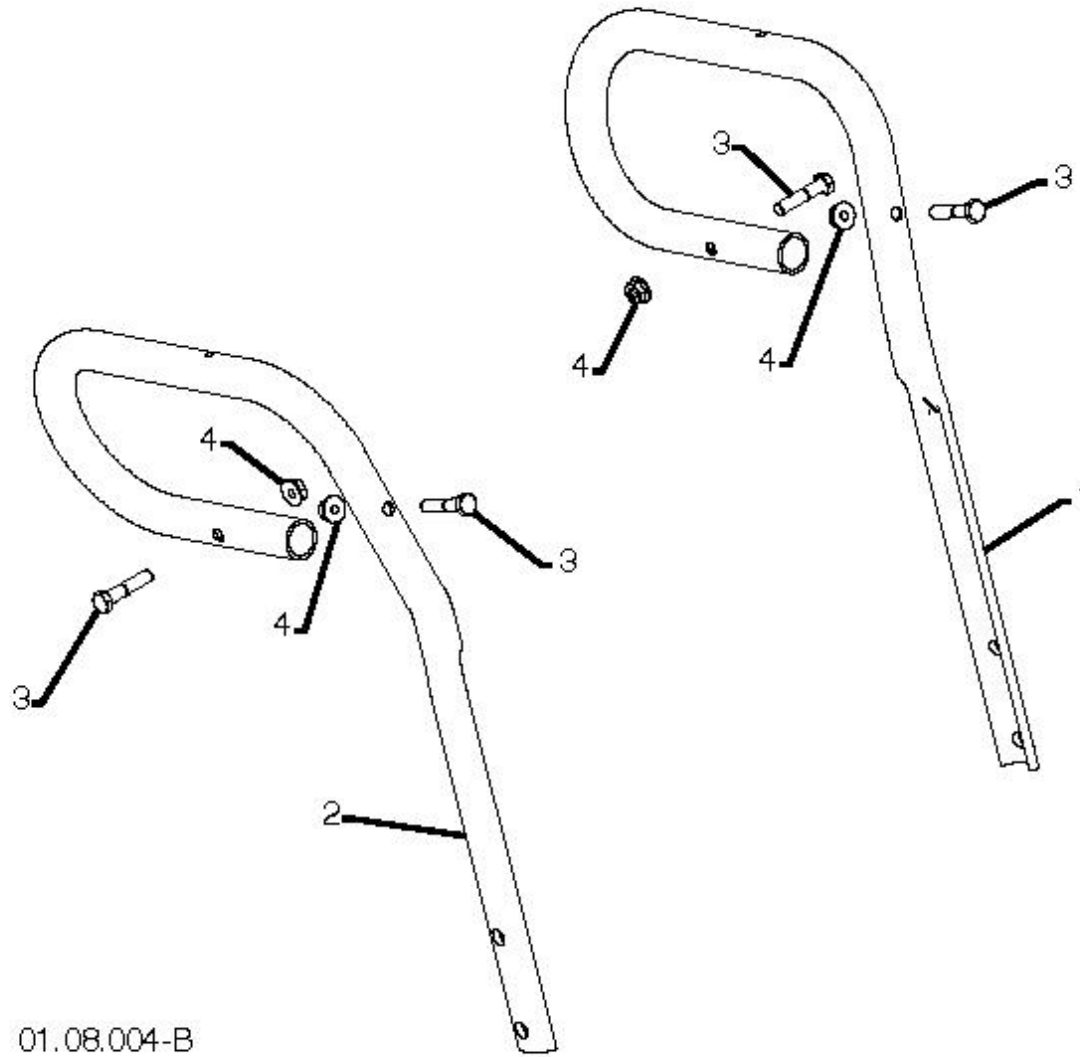
HANDLE



01.08.007-B

Ref	Part No.	Description	QTY	KIT
1	532 43 58-06	SPRING	1	
2	532 41 45-72	BRACKET	1	
3	532 17 88-31	SPRING	1	
4	532 16 96-75	PIN RETAINING SCREW	1	
5	817 06 04-10	SCREW	1	
6	532 43 58-05	LOCKING STOP	1	

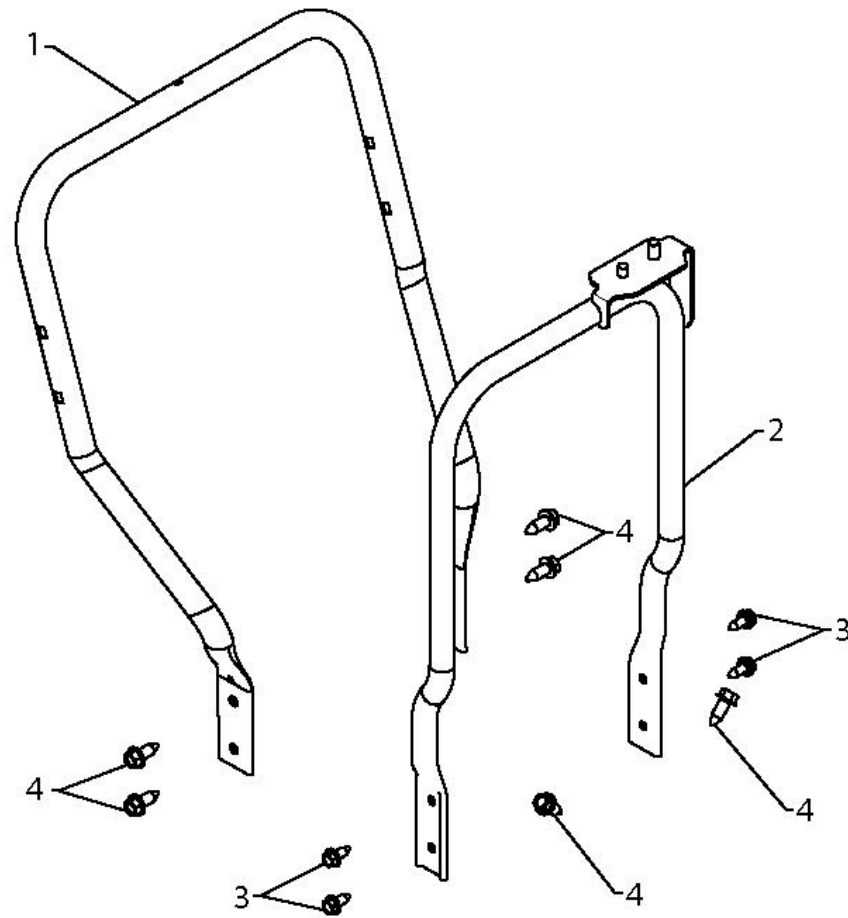
HANDLE



01.08.004-B

Ref	Part No.	Description	QTY	KIT
1	532 43 61-14	HANDLE TUBE LH	1	
2	532 43 61-15	HANDLE TUBE RH	1	
3	874 78 05-24	BOLT	1	
4	532 75 11-53	LOCKNUT 5/16-18 RL550HVA	1	

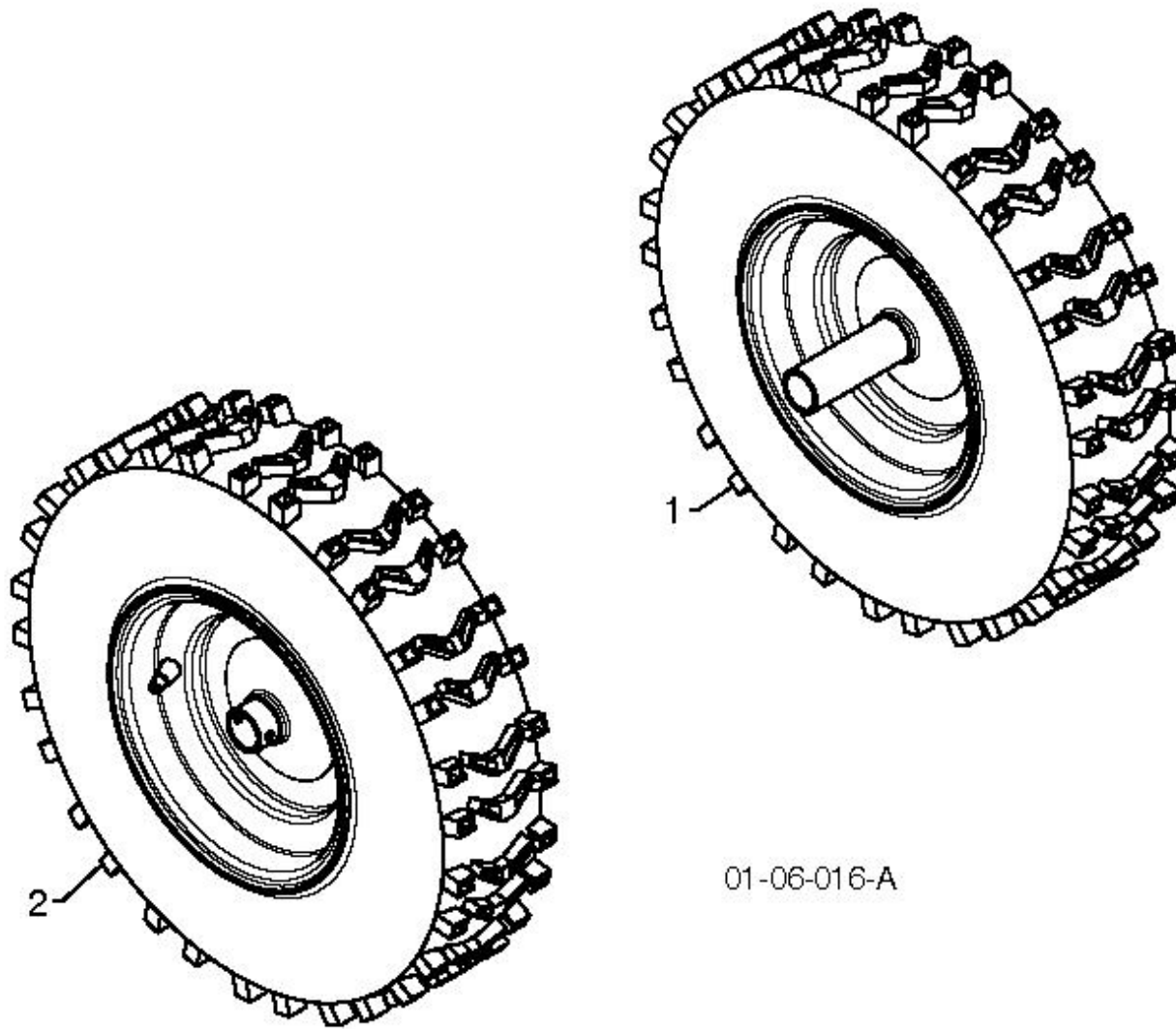
HANDLE



01-05-013-A

Ref	Part No.	Description	QTY	KIT
1	532 43 70-82	TUBE	1	
2	532 43 58-03	SUPPORT	1	
3	532 42 88-67	BOLT	1	
4	817 00 06-16	SCREW	1	

WHEELS & TIRES



01-06-016-A

Ref	Part No.	Description	QTY	KIT
1	532 43 63-49	WHEEL LH	1	
2	532 43 63-56	WHEEL RH	1	